

Connecting cables for valves, Sub-D

Type codes

NEBV - S1 W 37 - K - 2,5 - LE 37

Function

NEBV	Connecting cables for valves
------	------------------------------

Connection technology, left, field device side

S1	Sub-D socket
----	--------------

Cable outlet, left

W	Angled
---	--------

Number of pins/wires, left

37	37-pin
----	--------

Cable characteristic

K	Standard
E	Suitable for energy chains

Cable design

-	Standard
M	Alternative material

Cable length

2,5	2.5 m
5	5 m
10	10 m

Connection technology, right, controller side

LE	Open end
----	----------

Number of pins/wires, right

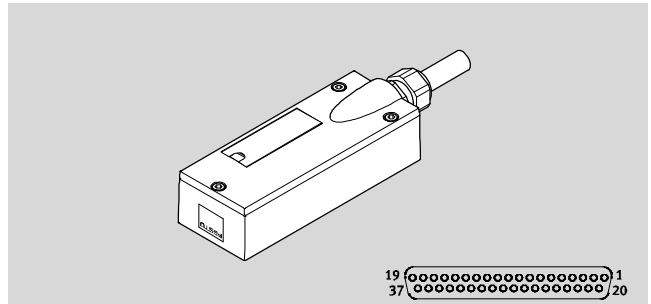
10	10-wire
26	26-wire
27	27-wire
37	37-wire

Connecting cables for valves, Sub-D

Technical data

Connecting cable NEBV-S1W37

- Connecting cable
- Pre-assembled at one end
- Only for multi-pin plug connection valve terminal VTSA/VTSA-F



General technical data				
Type	NEBV-...-LE10	NEBV-...-LE26	NEBV-...-LE27	NEBV-...-LE37
Area of application	Only for multi-pin plug connection valve terminal VTSA/VTSA-F			
Conforms to standard	DIN 47100			
Electrical connection 1				
Function	Field device side			
Connection type	Socket			
Cable outlet	Angled			
Design	Square			
Connection technology	Sub-D			
Number of pins/wires	37			
Assigned pins/wires	10	26	27	37
Type of mounting	3x M4 screws			
Area of application	Only for multi-pin plug connection valve terminal VTSA/VTSA-F			
Electrical connection 2				
Function	Controller side			
Connection type	Cable			
Connection technology	Open end			
Number of pins/wires	10	26	27	37
Assigned pins/wires	10	26	27	37

Technical data – Electrical		
Operating voltage range	[V DC]	0 ... 30
Surge resistance	[kV]	1
Current load at 40 °C	[A]	2

Connecting cables for valves, Sub-D

Technical data

Technical data – Cables						
Type	NEBV-...-LE10	NEBV-...-KM-...-LE10	NEBV-...-LE26	NEBV-...-LE27	NEBV-...-LE37	NEBV-...-KM-...-LE37
Cable composition [mm ²]	10 x 0.34	10 x 0.34	26 x 0.34	27 x 0.34	37 x 0.34	37 x 0.34
Cable diameter [mm]	7.4	7.2	10.4	10.9	12.8	12.4
Conductor nominal cross section [mm ²]	0.34					
Cable characteristic	Suitable for use with energy chains	Standard	Suitable for use with energy chains	Standard	Standard	Standard
Cable test conditions	Test conditions on request					
Bending radius, fixed cable installation [mm]	≥30	≥29	≥42	≥44	≥51	≥50
Bending radius, flexible cable installation [mm]	≥74	≥54	≥104	≥82	≥128	≥93
Cable identification	With inscription label holder					

Materials		
Type	NEBV-...-K-..., NEBV-...-E-...	NEBV-...-KM-...
Housing	PA	PA
Insulating sheath	PVC	PVC
Cable sheath	TPE-U (PUR)	PVC
Cable sheath colour	Grey	Grey

Operating and environmental conditions	
Ambient temperature [°C]	-5 ... +50
Degree of protection	IP65 NEMA 4
Note on degree of protection	In mounted state
Corrosion resistance class CRC ¹⁾	2

1) Corrosion resistance class CRC 2 to Festo standard FN 940070
Moderate corrosion stress. Indoor applications in which condensation may occur. External visible parts with primarily decorative requirements for the surface and which are in direct contact with the ambient atmosphere typical for industrial applications.

Connecting cables for valves, Sub-D

Technical data

Circuitry (socket view)										
Electrical connection 1		NEBV-...-LE10		NEBV-...-LE26		NEBV-...-LE27		NEBV-...-LE37		Electrical connection 2
		Pin	Wire colour ¹⁾	Pin	Wire colour ¹⁾	Pin	Wire colour ¹⁾	Pin	Wire colour ¹⁾	
		1	WH	1	WH	1	WH	1	WH	Open end
		2	BN	2	BN	2	BN	2	BN	
		3	GN	3	GN	3	GN	3	GN	
		4	YE	4	YE	4	YE	4	YE	
		5	GY	5	GY	5	GY	5	GY	
		6	PK	6	PK	6	PK	6	PK	
		7	BU	7	BU	7	BU	7	BU	
		8	RD	8	RD	8	RD	8	RD	
		9	-	9	GY PK	9	GY PK	9	GY PK	
		10	-	10	RD BU	10	RD BU	10	RD BU	
		11	-	11	WH GN	11	WH GN	11	WH GN	
		12	-	12	BN GN	12	BN GN	12	BN GN	
		13	-	13	WH YE	13	WH YE	13	WH YE	
		14	-	14	YE BN	14	YE BN	14	YE BN	
		15	-	15	WH GY	15	WH GY	15	WH GY	
		16	-	16	GY BN	16	GY BN	16	GY BN	
		17	-	17	WH PK	17	WH PK	17	WH PK	
		18	-	18	PK BN	18	PK BN	18	PK BN	
		19	-	19	WH BU	19	WH BU	19	WH BU	
		20	-	20	BN BU	20	BN BU	20	BN BU	
		21	-	21	WH RD	21	WH RD	21	WH RD	
		22	-	22	BN RD	22	BN RD	22	BN RD	
		23	-	23	-	23	GY GN	23	GY GN	
		24	-	24	-	24	-	24	YE GY	
		25	-	25	-	25	-	25	PK GN	
		26	-	26	-	26	-	26	YE PK	
		27	-	27	-	27	-	27	GN BU	
		28	-	28	-	28	-	28	YE BU	
		29	-	29	-	29	-	29	GN RD	
		30	-	30	-	30	-	30	YE RD	
		31	-	31	-	31	-	31	GN BK	
		32	-	32	-	32	-	32	GY BU	
		33	-	33	-	33	-	33	YE BK	
		34	-	34	WH BK	34	WH BK	34	WH BK	
		35	-	35	BN BK	35	BN BK	35	BN BK	
		36	BK	36	BK	36	BK	36	BK	
		37	VT	37	VT	37	VT	37	VT	

1) To IEC 757

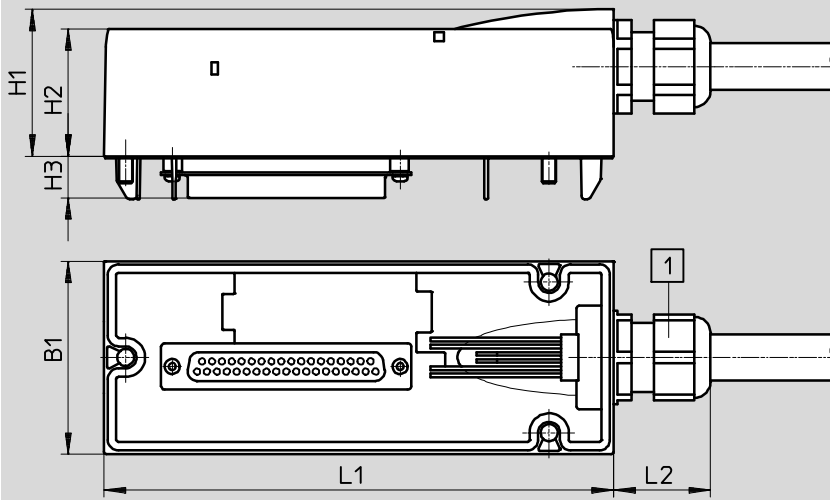
Connecting cables for valves, Sub-D

Technical data

FESTO

Dimensions

Download CAD data → www.festo.com



1 Cable connector M20x1.5

Type	B1	H1	H2	H3	L1	L2
NEBV-S1W37	54	41	36	11.6	142	27

Ordering data

Electrical connection	Information on materials: cable sheath	Electrical connection 2 Number of pins/wires	Cable length [m]	Part No.	Type
Angled socket, Sub-D	TPE-U (PUR)	10	2.5	539240	NEBV-S1W37-E-2.5-LE10
			5	539241	NEBV-S1W37-E-5-LE10
			10	539242	NEBV-S1W37-E-10-LE10
		26	2.5	539243	NEBV-S1W37-E-2.5-LE26
			5	539244	NEBV-S1W37-E-5-LE26
			10	539245	NEBV-S1W37-E-10-LE26
		37	2.5	539246	NEBV-S1W37-K-2.5-LE37
			5	539247	NEBV-S1W37-K-5-LE37
			10	539248	NEBV-S1W37-K-10-LE37
	PVC	10	2.5	543271	NEBV-S1W37-KM-2.5-LE10
			5	543272	NEBV-S1W37-KM-5-LE10
			10	543273	NEBV-S1W37-KM-10-LE10
		27	2.5	543274	NEBV-S1W37-KM-2.5-LE27
			5	543275	NEBV-S1W37-KM-5-LE27
			10	543276	NEBV-S1W37-KM-10-LE27
		37	2.5	543277	NEBV-S1W37-KM-2.5-LE37
			5	543278	NEBV-S1W37-KM-5-LE37
			10	543279	NEBV-S1W37-KM-10-LE37

Connecting cables for valves, Sub-D

Ordering data – Modular products

Ordering table		Condi- tions	Code	Entry code
M	Module no.	8003577		
	Connecting cable	Connecting cables for valves	NEBV	NEBV
	Connection technology on the left, field device side	Sub-D socket	-S1	-S1
	Cable outlet, left	Angled	W	W
	Number of pins/wires, left	37-pin	37	37
	Cable characteristic	Standard	-K	
		Suitable for use with energy chains	[1] -E	
	Cable design	Standard		
		Alternative material	M	
	Line length	[m] 2.5	-2,5	
		[m] 5	-5	
		[m] 10	-10	
	Connection technology, right controller side	Open end	-LE	-LE
	Number of pins/wires, right	10-pin	10	
		26-pin	[2] 26	
		27-pin	[3] 27	
		37-pin	[4] 37	

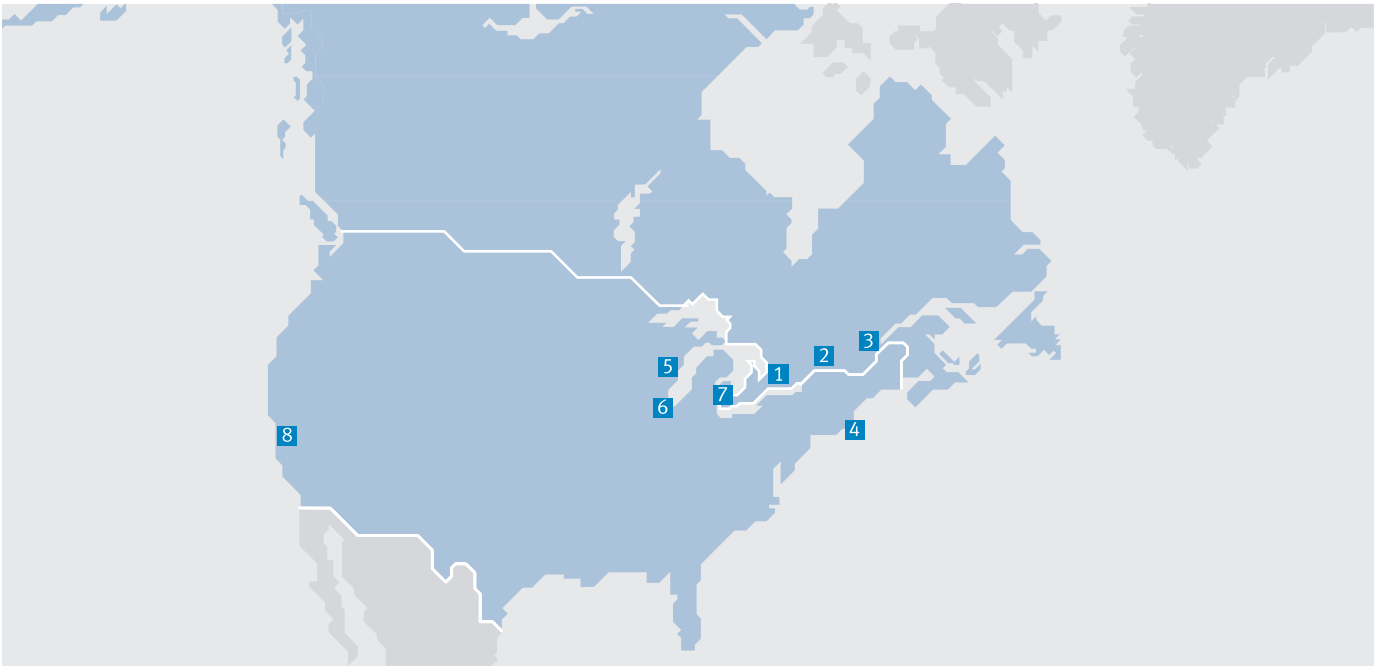
- [1]** -E Only with cable design 'standard'
- [2]** 26 Only with cable design 'standard'
- [3]** 27 Only with cable design 'alternative material'
- [4]** 37 Only with cable characteristic 'standard'

- M** Mandatory data
- O** Options

Transfer order code

8003577	NEBV	-	S1	W	37	-	LE	-	
---------	------	---	----	---	----	---	----	---	--

Festo North America



**1 Festo Canada
Headquarters
Festo Inc.**
5300 Explorer Drive
Mississauga, ON
L4W 5G4

2 Montréal
5600, Trans-Canada
Pointe-Claire, QC
H9R 1B6

3 Québec City
2930, rue Watt#117
Québec, QC
G1X 4G3



**4 Festo United States
Headquarters
Festo Corporation**
395 Moreland Road
Hauppauge, NY
11788

5 Appleton
North 922 Tower View Drive, Suite N
Greenville, WI
54942

7 Detroit
1441 West Long Lake Road
Troy, MI
48098

6 Chicago
85 W Algonquin - Suite 340
Arlington Heights, IL
60005

8 Silicon Valley
4935 Southfront Road, Suite F
Livermore, CA
94550

Festo Regional Contact Center

Canadian Customers

Commercial Support:
Tel: 1 877 GO FESTO (1 877 463 3786)
Fax: 1 877 FX FESTO (1 877 393 3786)
Email: festo.canada@ca.festo.com

Technical Support:
Tel: 1 866 GO FESTO (1 866 463 3786)
Fax: 1 877 FX FESTO (1 877 393 3786)
Email: technical.support@ca.festo.com

USA Customers

Commercial Support:
Tel: 1 800 99 FESTO (1 800 993 3786)
Fax: 1 800 96 FESTO (1 800 963 3786)
Email: customer.service@us.festo.com

Technical Support:
Tel: 1 866 GO FESTO (1 866 463 3786)
Fax: 1 800 96 FESTO (1 800 963 3786)
Email: product.support@us.festo.com