

Multiple connectors KSV/KDVF





Multiple connectors KSV/KDVF

Technical data

FESTO

Multi-plug KSV
Multi-socket KDVF

-  - Temperature range
-10 ... +60 °C

-  - Operating pressure
-0.95 ... 16 bar



The plug and socket connections are numbered, and a locating lug prevents them from being incorrectly matched

during connection. The connector is tightened and secured with a retaining ring.

The multi-plug has a half-shell housing and can accommodate a conduit. An additional internal sleeve

ensures strain relief for the tubing, and protects it against damage.

General technical data							
Multi-plug	KSV-5	KSV-8	KSV-16-B	KSV-32-B	KSV6-7	KSV6-12	KSV6-22
Multi-socket	KDVF-5	KDVF-8	KDVF-16-B	KDVF-32-B	KDVF6-7	KDVF6-12	KDVF6-22
Max. connections	5	8	16	32	7	12	22
Pneumatic connection	PK-2 PK-3 PK-4				PK-6		
Nominal size [mm]	4				6		
Type of mounting	Mounting flange on multi-socket						
Weights (multi-plug with multi-socket) [g]	113	164	287	505	151	229	338

Operating and environmental conditions		
Multi-plug	KSV	KSV6
Multi-socket	KDVF	KDVF6
Operating pressure [bar]	-0.95 ... +16 ¹⁾	
Operating medium	Compressed air in accordance with ISO 8573-1:2010 [7:--:-]	
Note on operating/pilot medium	Operation with lubricated medium possible (in which case lubricated operation will always be required)	
Ambient temperature [°C]	-10 ... +60	
Temperature of medium [°C]	-10 ... +60	
Corrosion resistance class CRC ²⁾	2	

1) Observe operating range of tubing

2) Corrosion resistance class 2 according to Festo standard 940 070

Components subject to moderate corrosion stress. Externally visible parts with primarily decorative surface requirements which are in direct contact with a normal industrial environment or media such as coolants or lubricating agents.

Materials	
Housing	POM Colour: grey
Nipple	Brass
Eye nut	Aluminium
Note on materials	Conforms to RoHS

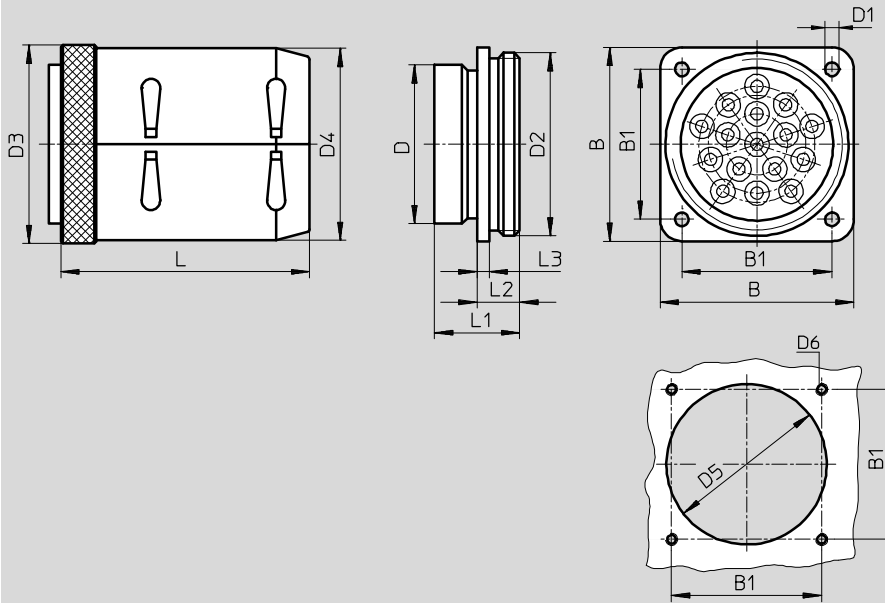
Multiple connectors KSV/KDVF

Technical data

FESTO

Dimensions

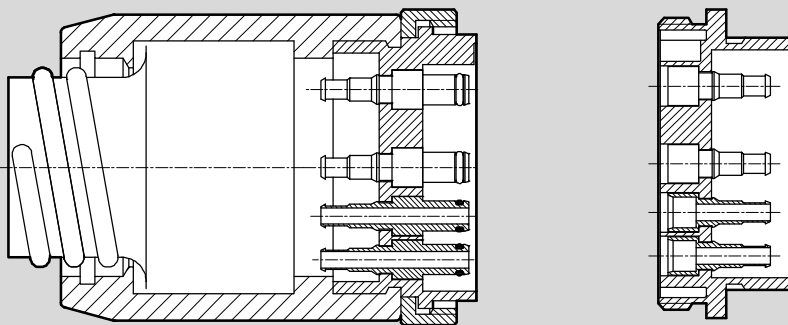
Download CAD data → www.festo.com



Max. connections	B	B1	D ∅	D1 ∅	D2	D3 ∅	D4 ∅	D5 min. ∅	D6	L	L1	L2	L3
5	41.2	31.7	30	4.5	M36x1.5	42	40	30.5	M4	71	23.5	13.5	3.5
7	50.8	39.6	40	4.5	M45x1.5	50	50	40.5	M4	77	23.5	13.5	3.5
8	50.8	39.6	40	4.5	M45x1.5	50	50	40.5	M4	77	23.5	13.5	3.5
12	63.5	49.2	52	4.5	M60x1.5	65	63	52.5	M4	82	28	14	4
16	63.5	49.2	52	4.5	M60x1.5	65	63	52.5	M4	82	28	14	4
22	82.6	66.6	70	6.6	M80x1.5	88	80	70.5	M6	87	29	15	4
32	82.6	66.6	70	6.6	M80x1.5	88	80	70.5	M6	87	29	15	4

Multi-plug

Multi-socket



Multi-plugs, multi-sockets, terminal plugs and sockets must be ordered separately in accordance with the number of connections required.

Ordering data

Max. connections	Pneumatic connection	Multi-plug		Multi-socket	
		Part No.	Type	Part No.	Type
5	PK-2, PK-3, PK-4	7557	KSV-5	7562	KDVF-5
8		7558	KSV-8	7563	KDVF-8
16		7559	KSV-16-B	7564	KDVF-16-B
32		7560	KSV-32-B	7565	KDVF-32-B
7	PK-6	152506	KSV6-7	152509	KDVF6-7
12		152507	KSV6-12	152510	KDVF6-12
		152508	KSV6-22	152511	KDVF6-22
22					

Multiple connectors KSV/KDVF

Accessories



Terminal plug KSV
Terminal socket KDVF

Material:
Brass

Note on materials:
Conforms to RoHS



Operating and environmental conditions	
Operating medium	Compressed air in accordance with ISO 8573-1:2010 [7:--:-]
Note on operating/pilot medium	Operation with lubricated medium possible
Corrosion resistance class CRC ¹⁾	1

1) Corrosion resistance class 1 according to Festo standard 940 070
Components subject to low corrosion stress. Transport and storage protection. Parts that do not have primarily decorative surface requirements, e.g. in internal areas that are not visible or behind covers

Ordering data							
Pneumatic connection	Nominal size [mm]	Terminal plug			Terminal socket		
		Part No.	Type	PU ¹⁾	Part No.	Type	PU ¹⁾
PK-2 for tubing O.D. 3 mm	1.5	33384	KSV-PK-2	10	244937	KDV-PK-2	10
PK-3 for tubing O.D. 4 mm	2.5	7215	KSV-PK-3	10	208378	KDV-PK-3	10
PK-4 for tubing O.D. 6 mm	3.4	7216	KSV-PK-4	10	208380	KDV-PK-4	10
PK-6 for tubing O.D. 8 mm	5.3	117945	KSV6-PK-6	10	337348	KDV6-PK-6	10

1) Packaging unit quantity

Festo - Your Partner in Automation



1 Festo Inc.
5300 Explorer Drive
Mississauga, ON L4W 5G4
Canada

Festo Customer Interaction Center
Tel: 1 877 463 3786
Fax: 1 877 393 3786
Email: customer.service.ca@festo.com



2 Festo Pneumatic
Av. Ceylán 3,
Col. Tequesquináhuac
54020 Tlalnepantla,
Estado de México

Multinational Contact Center
01 800 337 8669
ventas.mexico@festo.com



3 Festo Corporation
1377 Motor Parkway
Suite 310
Islandia, NY 11749

Festo Customer Interaction Center
1 800 993 3786
1 800 963 3786
customer.service.us@festo.com



4 Regional Service Center
7777 Columbia Road
Mason, OH 45040

Connect with us



www.festo.com/socialmedia



www.festo.com

Subject to change