

Filter Regulators MS6N-LFR – Inch Series



A filter regulator combines a filter and a pressure regulator into a single unit. The sintered filter with water separator removes contamination, pipe sinter, rust and condensate from the compressed air. The pressure setting can be adjusted with the regulator.

- Pneumatic connection: 1/4 NPT, 3/8 NPT, 1/2 NPT, 3/4 NPT
- Filtration grade: 5 µm, 40 µm
- Supply pressure
 - for manual drain: 12 ... 294 psi
 - for semiautomatic drain: 22 ... 176 psi
 - for fully automatic drain: 29 ... 176 psi
 - for fully automatic drain, electrically actuated: 12 ... 235 psi
- Controlled pressure range: 4.4 ... 235 psi
- Flow rate: 70.6 ... 254.2 scfm

Product Range Overview																									
Type	Pneumatic connections		Pressure regulation range [psi]				Filtration grade [µm]		Bowl guard		Bowl drain								Pressure indicator				Pressure adjustment		Reverse flow
MS6N		AG...	D5	D6	D7	D8	C	E	R	U	M	H	V	E1	E2	E3	E4	VS	AG	A4	AD...	AS	LD	Z	
LFR	1/4 NPT, 3/8 NPT, 1/2 NPT, 3/4 NPT		■	■	■	■	■	■	■	■	■	■	■	■	■	■	■	■	■	■	■	■	■	■	

- | Features | | |
|--|--|---|
| <ul style="list-style-type: none"> • Good control characteristics with low hysteresis and primary pressure compensation • High flow rates • Directly actuated diaphragm regulator | <ul style="list-style-type: none"> • Four pressure regulation ranges • Modular, in-line or panel mounting • Lockable rotary knob • Available with or without secondary venting | <ul style="list-style-type: none"> • Reverse flow option for exhausting from output 2 to output 1 • Optional pressure sensor with display and electric output |

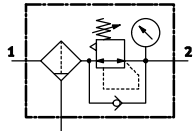
Contents	
Technical Data	➔ 594
Dimensional Drawings	➔ 598
Ordering Data	➔ 601
Accessories	➔ 604
Replacement Parts	➔ 614
➔ www.festo.com/catalog/ms6n-lfr	

Filter Regulators MS6N-LFR – Inch Series

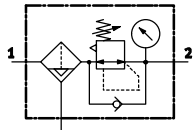
Technical Data

FESTO

ISO Symbol



Manual bowl drain



Semi or fully automatic bowl drain



General Technical Data		1/4 NPT	3/8 NPT	1/2 NPT
Pneumatic connection 1, 2		1/4 NPT	3/8 NPT	1/2 NPT
Filtration grade	5 μm	5 (air purity class at the output 3.7.- to DIN ISO 8573-1)		
	40 μm	40 (air purity class at the output 5.7.- to DIN ISO 8573-1)		
Supply pressure	M [psi]	12 ... 294 (manual drain)		
	H [psi]	22 ... 176 (semiautomatic drain)		
	V [psi]	29 ... 176 (fully automatic drain)		
	E... [psi]	12 ... 235 (fully automatic drain, electrically actuated)		
Pressure regulation range	D5 [psi]	4.4 ... 59		
	D6 [psi]	4.4 ... 103		
	D7 [psi]	7.4 ... 176 (7.4 ... 147 with variant pressure sensor AD...)		
	D8 [psi]	7.4 ... 235		
Max. hysteresis	[psi]	3.7		

Standard Nominal Flow Rate qnN ¹⁾ [scfm]				
Pneumatic connection 1, 2		1/4 NPT	3/8 NPT	1/2 NPT
D5 – Pressure regulation range 4.4 ... 59 psi				
Filtration grade	5 μm	70.6 ²⁾	194.2 ²⁾	243.6 ²⁾
	40 μm	77.7 ²⁾	211.8 ²⁾	254.2 ²⁾
D6 – Pressure regulation range 4.4 ... 103 psi				
Filtration grade	5 μm	95.3	176.5	197.7
	40 μm	98.8	201.2	218.9
D7 – Pressure regulation range 7.4 ... 176 psi				
Filtration grade	5 μm	77.7	123.6	141.2
	40 μm	88.3	141.2	158.9
D8 – Pressure regulation range 7.4 ... 235 psi				
Filtration grade	5 μm	70.6	116.5	134.1
	40 μm	81.2	123.6	141.2

1) Measured at p1 = 147 psi and p2 = 88 psi, □p = 15 psi

2) Measured at p1 = 147 psi and p2 = 44 psi, □p = 15 psi

Filter Regulators MS6N-LFR – Inch Series

Technical Data



Operating and Environmental Conditions				
Bowl drain	Manual M	Semiautomatic H	Fully automatic V	Fully automatic, electrically actuated E...
Operating medium without pressure sensor AD...	Compressed air			
Operating medium with pressure sensor AD...	Filtered compressed air, lubricated or unlubricated, filtration grade 40 µm			
Max. condensate volume [in ³]	2.32			
Bowl guard	Plastic bowl guard			
	Metal bowl			
Ambient temperature without pressure sensor AD... [°F]	14 ... 140	41 ... 140	41 ... 140	34 ... 140
Ambient temperature with pressure sensor AD... [°F]	32 ... 122	41 ... 122	41 ... 122	34 ... 122
Medium temperature without pressure sensor AD... [°F]	14 ... 140	41 ... 140	41 ... 140	34 ... 140
Medium temperature with pressure sensor AD... [°F]	32 ... 122	41 ... 122	41 ... 122	34 ... 122
Storage temperature [°F]	14 ... 140	14 ... 140	14 ... 140	34 ... 140
Assembly position	Vertical ±5°			
Corrosion resistance CRC ¹⁾	2			

1) Corrosion resistance class 2 according to Festo standard 940 070
Components requiring moderate corrosion resistance. Externally visible parts with primarily decorative surface requirements which are in direct contact with a normal industrial environment or media such as coolants or lubricating agents.

Weights [lb]	
With plastic bowl guard	1.75
With metal bowl	2.17
With metal bowl and fully automatic, electrically actuated bowl drain	3.60

- Wearing parts kits → 614
- Filter cartridges → 614
- For spare parts go to: www.festo.com/en/spare_parts_service

Filter Regulators MS6N-LFR – Inch Series

Technical Data

Standard Flow Rate q_n as a Function of Output Pressure p_2

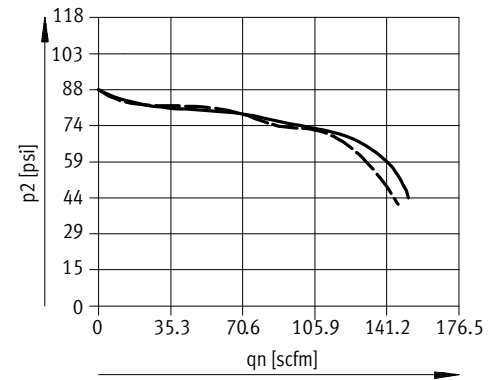
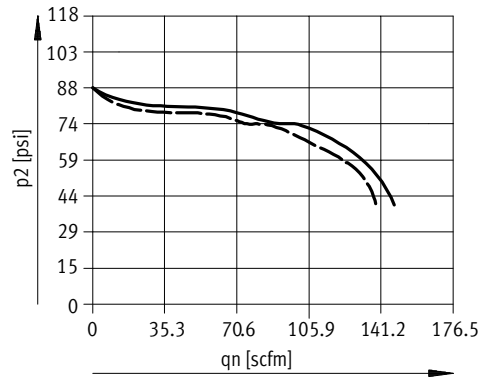
Pressure regulation range D6 or D7

Filtration grade 5 μm

Filtration grade 40 μm

MS6N-LFR-1/4

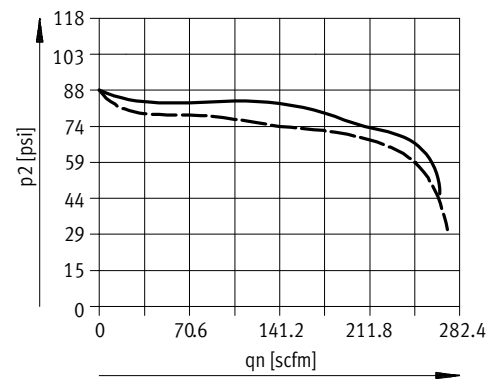
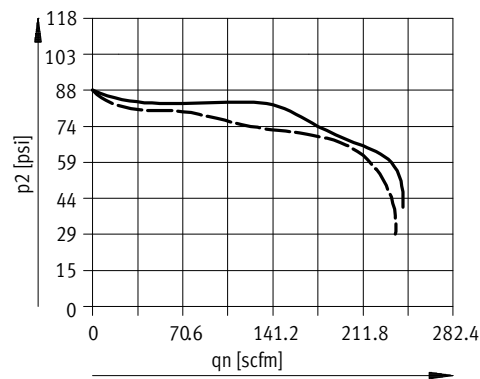
Primary pressure $p_1 = 147$ psi



— D6: 4.4 ... 103 psi
 - - - D7: 7.4 ... 176 psi

MS6N-LFR-3/8

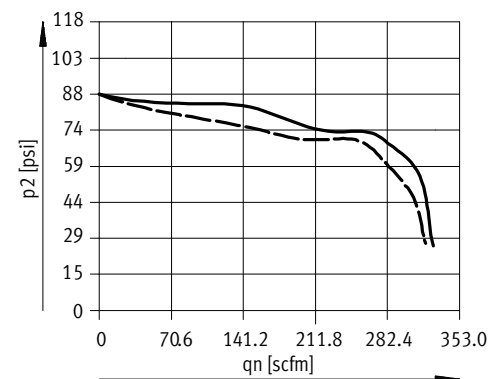
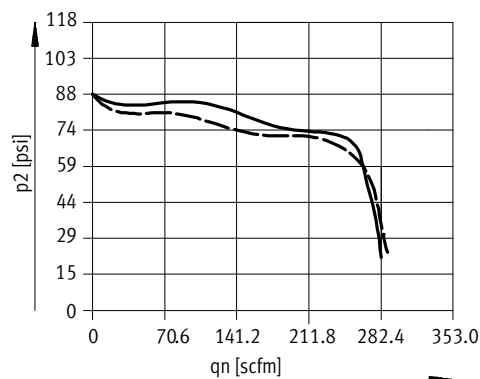
Primary pressure $p_1 = 147$ psi



— D6: 4.4 ... 103 psi
 - - - D7: 7.4 ... 176 psi

MS6N-LFR-1/2

Primary pressure $p_1 = 147$ psi



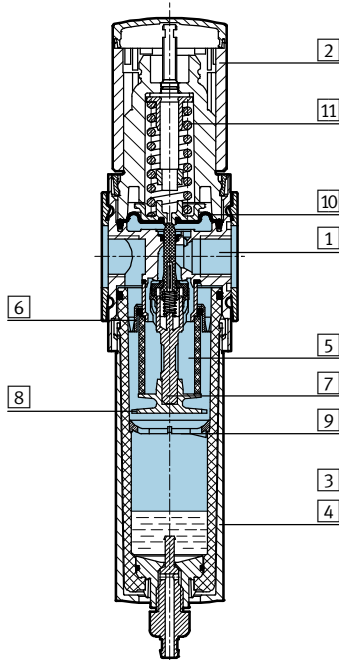
— D6: 4.4 ... 103 psi
 - - - D7: 7.4 ... 176 psi

Filter Regulators MS6N-LFR – Inch Series

Technical Data

Materials

Sectional view



Filter regulator		
1	Body	Die-cast aluminum
2	Regulating knob	Polyamide/polyacetate
3	Plastic bowl guard	Polycarbonate/polyamide
4	Metal bowl Viewing window	Aluminum Polyamide
5	Filter element	Polyethylene
6	Spin disk	Polyacetate
7	Filter holder	Polyacetate
8	Separating plate	Polyacetate
9	Stabilizing disk	Polyacetate
10	Diaphragm	Nitrile rubber
11	Spring	Steel
-	Seals	Nitrile rubber
Note on materials		Free of copper and PTFE only with cover plate VS

Filter Regulators MS6N-LFR – Inch Series

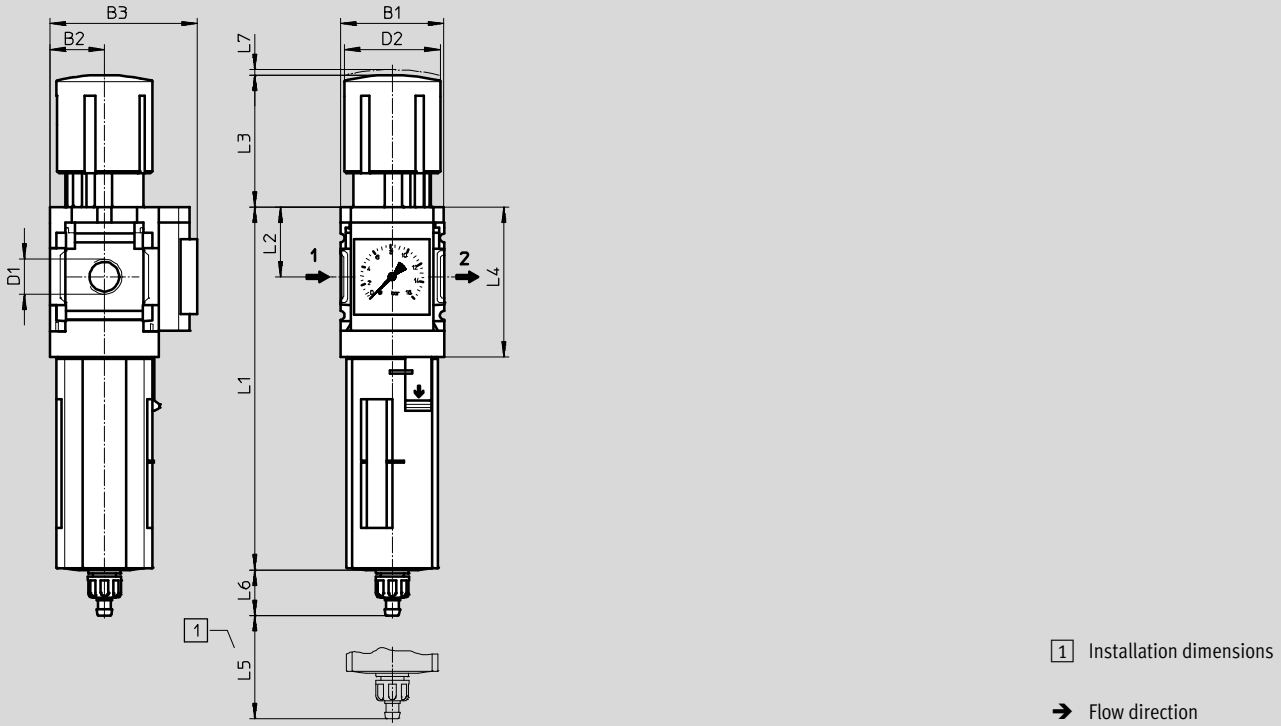
Dimensional Drawings



Dimensions¹⁾ – Standard

Download CAD Data → www.festo.com/us/cad

With pressure gauge, display unit [psi], rotary knob as standard, manual bowl drain



Type	B1	B2	B3	D1	D2	L1		L2	L3	L4	L5	L6		L7
						Bowl guard						Plastic	Metal	
						Plastic	Metal							
MS6N-LFR-1/4	2.44	1.22	3.03	1/4 NPT	2.01	7.44	7.65	1.54	3.39	3.31	2.68	0.62	0.75	0.20
MS6N-LFR-3/8				3/8 NPT										
MS6N-LFR-1/2				1/2 NPT										

1) Dimensions are in inches, unless otherwise noted.

Filter Regulators MS6N-LFR – Inch Series

Dimensional Drawings



Dimensions¹⁾ – Pressure Gauge Alternatives Download CAD Data → www.festo.com/us/cad

Cover plate VS Adapter plate A4 for EN pressure gauge 1/4, without pressure gauge

→ Flow direction

Pressure sensor with display AD1 ... AD4 Technical data SDE1 → www.festo.com/catalog/sde1

→ Flow direction

AD1 variants:
SDE1-D10-G2-MS-L-P1-M8 with 3-pin plug M8x1, 1 switching output PNP

AD2 variants:
SDE1-D10-G2-MS-L-N1-M8 with 3-pin plug M8x1, 1 switching output NPN

AD3 variants:
SDE1-D10-G2-MS-L-PI-M12 with 4-pin plug M12x1, 1 switching output PNP and 4 ... 20 mA analog

AD4 variants:
SDE1-D10-G2-MS-L-NI-M12 with 4-pin plug M12x1, 1 switching output NPN and 4 ... 20 mA analog

Type	B2	B3	D1	D4	D6	L5	L6
MS6N-LFR-1/4-...-VS	1.22	2.99	1/4 NPT	-	-	-	-
MS6N-LFR-3/8-...-VS			3/8 NPT				
MS6N-LFR-1/4-...-VS			1/2 NPT				
MS6N-LFR-1/4-...-A4	1.22	3.09	1/4 NPT	G1/4	-	-	-
MS6N-LFR-3/8-...-A4			3/8 NPT				
MS6N-LFR-1/2-...-A4			1/2 NPT				
MS6N-LFR-1/4-...-AD1/AD2	1.22	4.06	1/4 NPT	-	M8x1	1.38	1.84
MS6N-LFR-3/8-...-AD1/AD2			3/8 NPT				
MS6N-LFR-1/2-...-AD1/AD2			1/2 NPT				
MS6N-LFR-1/4-...-AD3/AD4	1.22	4.06	1/4 NPT	-	M12x1	1.38	2.20
MS6N-LFR-3/8-...-AD3/AD4			3/8 NPT				
MS6N-LFR-1/2-...-AD3/AD4			1/2 NPT				

1) Dimensions are in inches, unless otherwise noted.

Filter Regulators MS6N-LFR – Inch Series

Dimensional Drawings

Dimensions¹⁾ – Rotary Knob Download CAD Data → www.festo.com/us/cad

For installation into control panel

Standard

Standard, lockable AS

Long LD

Long, lockable LD-AS

1 Max. control panel thickness

Type	B4	B5	D2	D3 +0.04	L3	L8	L9
MS6N-LFR-...	-	-	2.01	1.73	3.39	0.87	0.55
MS6N-LFR-...-AS	2.67	1.65			3.76		
MS6N-LFR-...-LD	-	-	2.01	-	3.39	-	-
MS6N-LFR-...-LD-AS	2.67	1.65			3.76		

1) Dimensions are in inches, unless otherwise noted.

Dimensions¹⁾ – Bowl Drain Download CAD Data → www.festo.com/us/cad

Manual M

Barbed fitting for plastic tubing
PCN-4

Semiautomatic H

QS fitting for plastic tubing
PUN-6/PAN-6

Fully automatic V

Barbed fitting for plastic tubing
PCN-4

Type	L6
Plastic bowl guard	
MS6N-LFR-...-M	0.62
Metal bowl	
MS6N-LFR-...-M	0.75

Type	L6
Plastic bowl guard	
MS6N-LFR-...-H	0.80
Metal bowl	
MS6N-LFR-...-H	0.90

Type	L6
Plastic bowl guard	
MS6N-LFR-...-V	0.73
Metal bowl	
MS6N-LFR-...-V	0.87

Fully automatic, electrically actuated E1 ... E4 Technical data PWEA → www.festo.com/catalog/pwea

- 1 Variant E1
PWEA-AP-... with M12x1 plug,
5-pin for SIM-M12-5GD-...
- 2 Variant E2/E3/E4
PWEA-AC-... with cable conduit
fitting Pg9
- 3 Connection 360° rotatable for
plastic tubing PUN-H-12x2-...

Filter Regulators MS6N-LFR – Inch Series



Ordering Data – Pre-configured Products

Ordering Data							
Pressure regulation range 4.4 ... 103 psi							
Bowl drain	Connection	Filtration grade 5 µm			Filtration grade 40 µm		
		Part No.	Type	LT	Part No.	Type	LT
Plastic bowl guard							
Manual	1/4 NPT	531305	MS6N-LFR-1/4-D6-CRM-AS	1D	531293	MS6N-LFR-1/4-D6-ERM-AS	1D
	3/8 NPT	531307	MS6N-LFR-3/8-D6-CRM-AS	1D	531295	MS6N-LFR-3/8-D6-ERM-AS	1D
	1/2 NPT	531306	MS6N-LFR-1/2-D6-CRM-AS	1D	531294	MS6N-LFR-1/2-D6-ERM-AS	1D
Fully automatic	1/4 NPT	531311	MS6N-LFR-1/4-D6-CRV-AS	1D	531299	MS6N-LFR-1/4-D6-ERV-AS	1D
	3/8 NPT	531313	MS6N-LFR-3/8-D6-CRV-AS	1D	531301	MS6N-LFR-3/8-D6-ERV-AS	1D
	1/2 NPT	531312	MS6N-LFR-1/2-D6-CRV-AS	1D	531300	MS6N-LFR-1/2-D6-ERV-AS	1D

Ordering Data							
Pressure regulation range 7.4 ... 176 psi							
Bowl drain	Connection	Filtration grade 5 µm			Filtration grade 40 µm		
		Part No.	Type	LT	Part No.	Type	LT
Plastic bowl guard							
Manual	1/4 NPT	531281	MS6N-LFR-1/4-D7-CRM-AS	1D	531269	MS6N-LFR-1/4-D7-ERM-AS	1D
	3/8 NPT	531283	MS6N-LFR-3/8-D7-CRM-AS	1D	531271	MS6N-LFR-3/8-D7-ERM-AS	1D
	1/2 NPT	531282	MS6N-LFR-1/2-D7-CRM-AS	1D	531270	MS6N-LFR-1/2-D7-ERM-AS	1D
Fully automatic	1/4 NPT	531287	MS6N-LFR-1/4-D7-CRV-AS	1D	531275	MS6N-LFR-1/4-D7-ERV-AS	1D
	3/8 NPT	531289	MS6N-LFR-3/8-D7-CRV-AS	1D	531277	MS6N-LFR-3/8-D7-ERV-AS	1D
	1/2 NPT	531288	MS6N-LFR-1/2-D7-CRV-AS	1D	531276	MS6N-LFR-1/2-D7-ERV-AS	1D
Metal bowl							
Manual	1/4 NPT	531317	MS6N-LFR-1/4-D7-CUM-AS	Q	531329	MS6N-LFR-1/4-D7-EUM-AS	Q
	3/8 NPT	531319	MS6N-LFR-3/8-D7-CUM-AS	Q	531331	MS6N-LFR-3/8-D7-EUM-AS	Q
	1/2 NPT	531318	MS6N-LFR-1/2-D7-CUM-AS	Q	531330	MS6N-LFR-1/2-D7-EUM-AS	Q
Fully automatic	1/4 NPT	531323	MS6N-LFR-1/4-D7-CUV-AS	Q	531335	MS6N-LFR-1/4-D7-EUV-AS	Q
	3/8 NPT	531325	MS6N-LFR-3/8-D7-CUV-AS	Q	531337	MS6N-LFR-3/8-D7-EUV-AS	Q
	1/2 NPT	531324	MS6N-LFR-1/2-D7-CUV-AS	Q	531336	MS6N-LFR-1/2-D7-EUV-AS	Q

LT = Lead time 1D typically ships same day/next day 3D typically ships within 3 days

Filter Regulators MS6N-LFR – Inch Series

Ordering Data – Configurable Products



M Mandatory Data →

Part No.	Series	Size	Thread	Function	Connection size	Pressure regulation range	Filtration grade	Bowl
527667	MS	6	N	LFR	1/4, 3/8, 1/2, AQN, AQP, AQR, AQS	D5 D6 D7 D8	E C	R U
Order example								
527667	MS	6	N	- LFR	- AQN	- D6	- C	- R

Ordering Table

Grid dimension	[mm]	62	Conditions	Code	Enter code
M Part No.	527667				
Series	Standard			MS	MS
Size	6			6	6
Thread	NPT thread			N	N
Function	Filter regulator			-LFR	-LFR
Connection size	Body thread 1/4 NPT			-1/4	
	Body thread 3/8 NPT			-3/8	
	Body thread 1/2 NPT			-1/2	
	Port plate 1/4 NPT (dimensions → 609)			-AQN	
	Port plate 3/8 NPT (dimensions → 609)			-AQP	
	Port plate 1/2 NPT (dimensions → 609)			-AQR	
	Port plate 3/4 NPT (dimensions → 609)			-AQS	
Pressure regulation range	4.4 ... 59 psi			-D5	
	4.4 ... 103 psi			-D6	
	7.4 ... 176 psi			-D7	
	7.4 ... 235 psi			-D8	
Filtration grade	40 µm			-E	
	5 µm			-C	
Bowl	Plastic bowl with plastic bowl guard			-R	
	Metal bowl			-U	

Transfer order code

Filter Regulators MS6N-LFR – Inch Series

Ordering Data – Configurable Products



Options							
Bowl drain	Pressure gauge alternatives	Alternative pressure gauge scale	Secondary venting	Rotary knob	Security	Type of mounting	Reverse flow direction
M H V E1 E2 E3 E4	VS A4 AD1 AD2 AD3 AD4	BAR MPA	OS	LD	AS	WR WP WPM WB	Z
- M	- A4	-	-	- LD	- AS	- WPM	- Z

Ordering Table		Grid dimension [mm]	62	Conditions	Code	Enter code	
M	Bowl drain	Manual			-M		
		Semiautomatic (P1 max. 176 psi)		1	-H		
		Fully automatic (P1 max. 176 psi)		1	-V		
		External, fully-automatic, electrical	24 V DC, M12		2	-E1	
			110 V AC, terminals		2	-E2	
			230 V AC, terminals		2	-E3	
			24 V DC, terminals		2	-E4	
O	Pressure gauge alternatives	Cover plate			-VS		
		Adapter plate for EN pressure gauge ¼, without pressure gauge			-A4		
		Pressure sensor with display, M8 plug, 1 switching output PNP, 3-pin		3	-AD1		
		Pressure sensor with display, M8 plug, 1 switching output NPN, 3-pin		3	-AD2		
		Pressure sensor with display, M12 plug, 1 switching output PNP, 4-pin, analog output 4 ... 20 mA		3	-AD3		
		Pressure sensor with display, M12 plug, 1 switching output NPN, 4-pin, analog output 4 ... 20 mA		3	-AD4		
	Alternative pressure gauge scale	bar		4	-BAR		
		MPa		4	-MPA		
	Secondary venting	Without secondary venting			-OS		
	Rotary knob	Long rotary knob			-LD		
Security	Lockable rotary knob			-AS			
Type of mounting	Mounting bracket with knurled nut for regulator head (dimensions → 607)		5	-WR			
	Mounting bracket (dimensions → 610)		6	-WP			
	Mounting bracket (dimensions → 610)		6	-WPM			
	Mounting bracket (dimensions → 606)			-WB			
Reverse flow direction	Flow direction from right to left				-Z		

- 1 H, V Not with pressure regulation range D8
- 2 E1 ... E4 Only with metal bowl U
- 3 AD1 ... AD4 Measuring range max. 147 psi.
Not with pressure regulation range D8

- 4 BAR, MPA Not with pressure gauge alternatives VS, A4, AD1, AD2, AD3, AD4
- 5 WR Not with long rotary knob LD
- 6 WP, WPM Only with port plate AQN, AQP, AQR or AQS

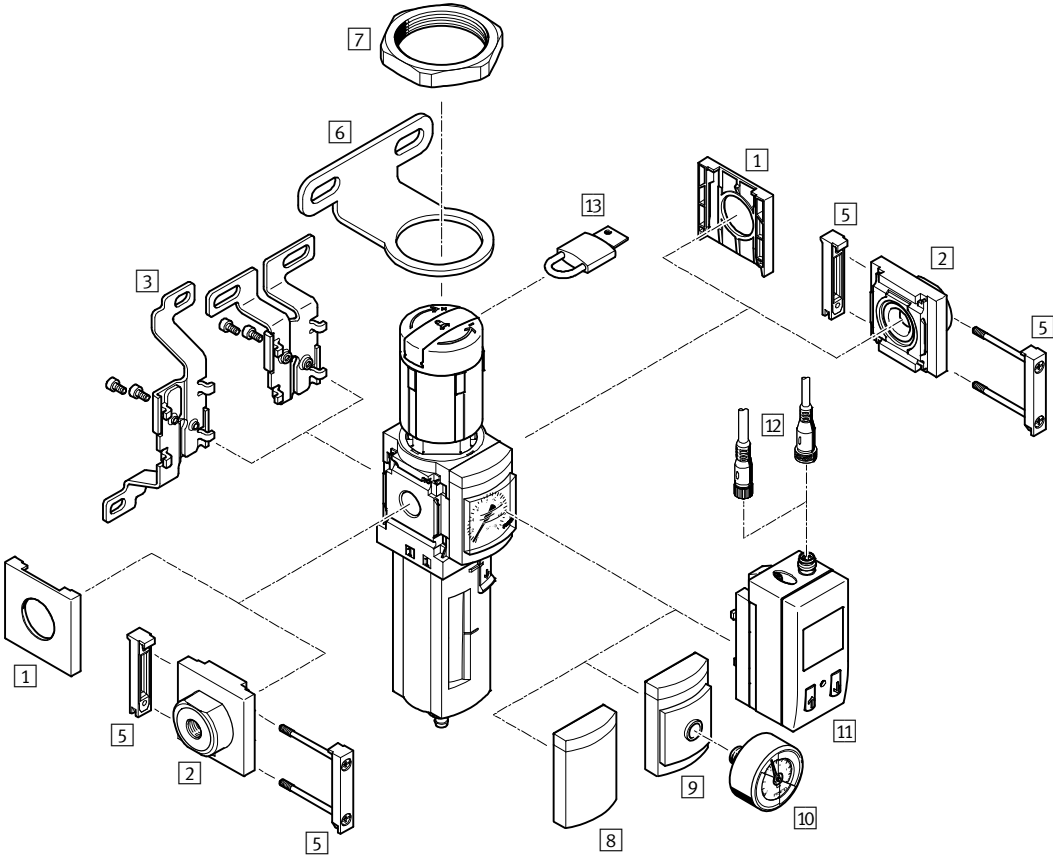
Transfer order code

- [] - [] - [] - [] - [] - [] - [] - []

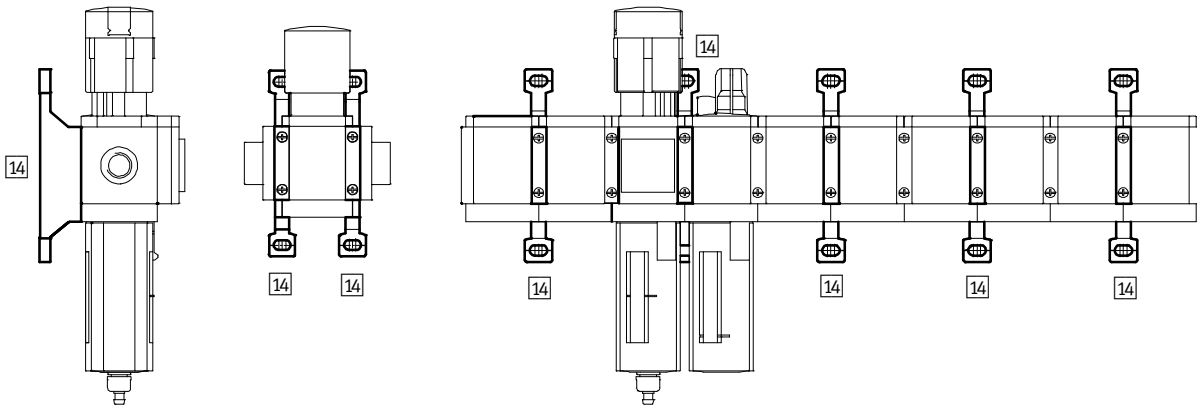
Filter Regulators MS6N-LFR – Inch Series

Accessories Overview

Mounting Attachments and Accessories



Single unit and combination unit mounting brackets.



Filter Regulators MS6N-LFR – Inch Series

Accessories Overview



Mounting Attachments and Accessories						
		Single unit		Combination unit		→ Page
		without port plate	with port plate	without port plate	with port plate	
1	Cover cap MS6-END	■	-	■	-	608
2	Port plate MS6N-AQ...	-	■	-	■	609
3	Mounting bracket MS6-WB	■	■	-	-	606
5	Body connector MS6-MV	-	■	■	■	609
6	Regulator wall bracket MS6-WR	■	■	-	-	607
7	Hex nut MS6-WRS	■	■	■	■	607
8	Cover plate VS	■	■	■	■	602
9	Adapter for EN pressure gauge 1/4 A4	■	■	■	■	602
10	Pressure gauge MA	■	■	■	■	613
11	Pressure sensor SDE1-...-MS AD1 ... AD4	■	■	■	■	602
12	Plug socket with cable SIM-M8-3.../SIM-M12-4...	■	■	■	■	613
13	Padlock LRVS-D	■	■	■	■	613
14	Mounting bracket MS6-WP/WPB/WPM	-	■	■	■	610

Filter Regulators MS6N-LFR – Inch Series



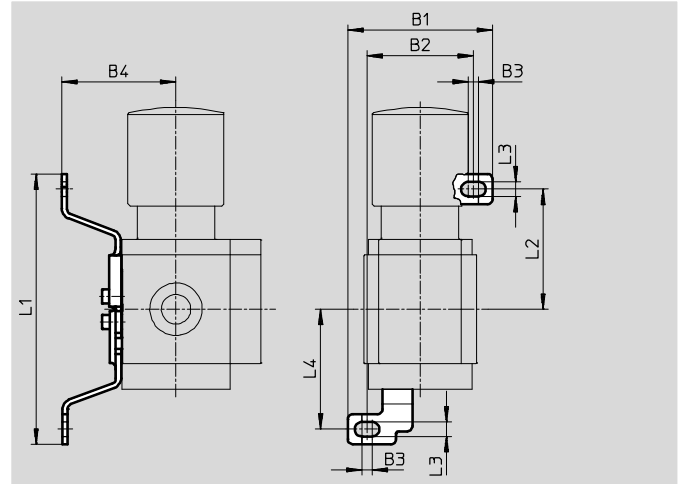
Accessories

3 Mounting bracket MS6-WB

- For wall mounting

Material:

Steel



Dimensions and Ordering Data										
B1	B2	B3	B4	L1	L2	L3	L4	Weight [lb]	Part No.	Type
3.13	2.44	0.18	2.17	6.20	2.80	0.26	2.80	0.24	532196	MS6-WB

Filter Regulators MS6N-LFR – Inch Series

Accessories

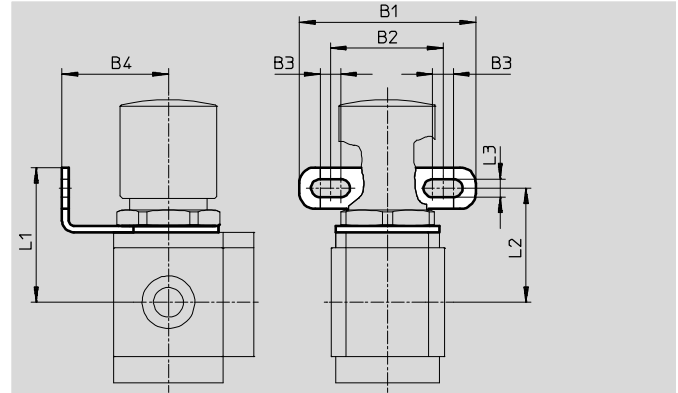
6 Mounting bracket MS6-WR

- For wall mounting a filter regulator and pressure regulator

Material:
Steel

Note

The hex nut for attaching components to this bracket must be ordered separately.



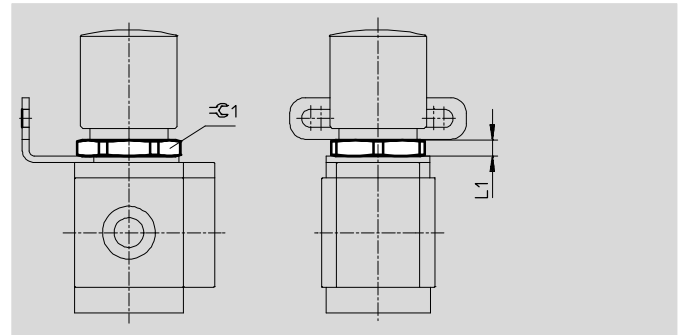
Dimensions and Ordering Data

B1	B2	B3	B4	L1	L2	L3	Weight [lb]	Part No.	Type
2.76	1.65	0.32	1.57	2.64	2.24	0.28	0.18	526075	MS6-WR

7 Hex nut MS6-WRS

- For front panel mounting
- For attaching components to the mounting bracket MS...-WR

Material:
Aluminum



Dimensions and Ordering Data

L1	±0.1	Weight [lb]	Part No.	Type
0.28	2.17	0.04	532188	MS6-WRS

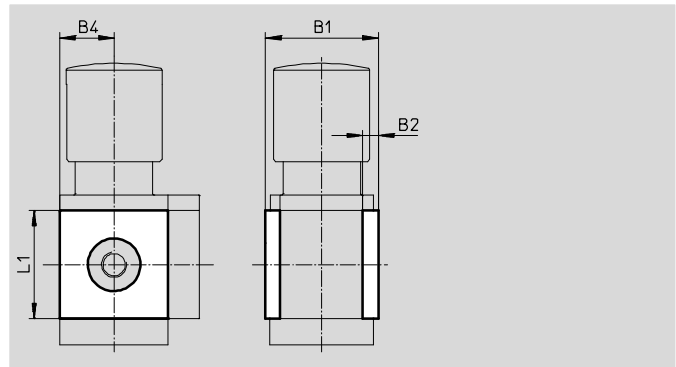
Filter Regulators MS6N-LFR – Inch Series

Accessories

1 Cover cap MS6-END

- Can be used to cover the body sides of the first and last module if port plates are not used.

Material:
Reinforced polyamide
Free of copper and PTFE

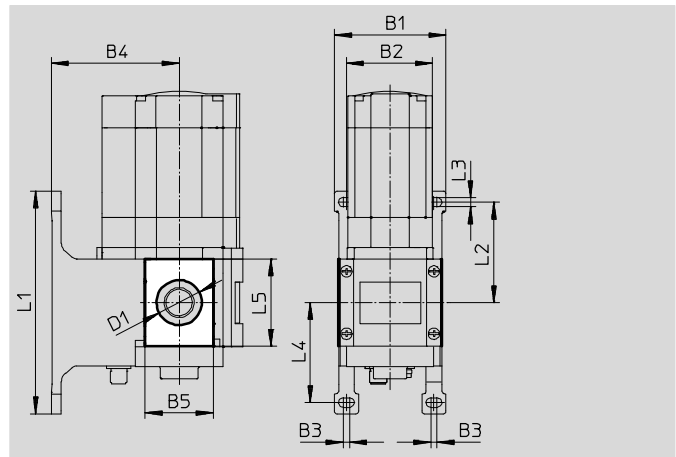


Dimensions and Ordering Data						
B1	B2	B4	L1	Part No.	Type	
2.64	0.31	1.22	2.44	538780	MS6-END	

Mounting plate MS6-AEND

- In combination with mounting bracket MS-WP or MS-WPB for mounting an individual unit with body thread on a wall

Material:
Reinforced polyamide
Conforms to RoHS
Free of copper and PTFE



Dimensions and Ordering Data															
B1	B2	B3	B4		B5	D1 ∅	L1	L2	L3	L4	L5	CRC ¹⁾	Weight [lb]	Part No.	Type
			WP	WPB											
3.11	2.44	0.18	2.13	3.56	1.91	1.26	6.22	2.80	0.26	2.80	2.44	2	0.03	535408	MS6-AEND

1) Corrosion resistance class 2 according to Festo standard 940 070
Components requiring moderate corrosion resistance. Externally visible parts with primarily decorative surface requirements which are in direct contact with a normal industrial environment or media such as coolants or lubricating agents.

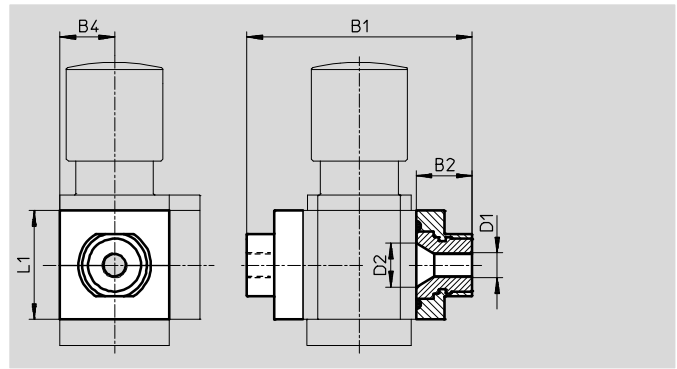
Filter Regulators MS6N-LFR – Inch Series

Accessories

2 Port plate MS6N-AQ...

- Adapter for pneumatic connection
- MS6-AGE for implementing threaded connection 3/4 NPT

Material:
Aluminum



Dimensions and Ordering Data								
B1	B2	B4	D1	D2	L1	Weight [lb]	Part No.	Type
4.53	1.04	1.22	1/4 NPT	0.94	2.44	0.60	526076	MS6N-AQN
			3/8 NPT				526077	MS6N-AQP
			1/2 NPT				526078	MS6N-AQR
			3/4 NPT				526079	MS6N-AQS

5 Body connector MS...-MV

- For connecting modules

Material:
Stainless steel/polyacetate



Ordering Data		
Weight [lb]	Part No.	Type
0.11	532799	MS6-MV

Filter Regulators MS6N-LFR – Inch Series

Accessories



14 Mounting Bracket MS6-WP...

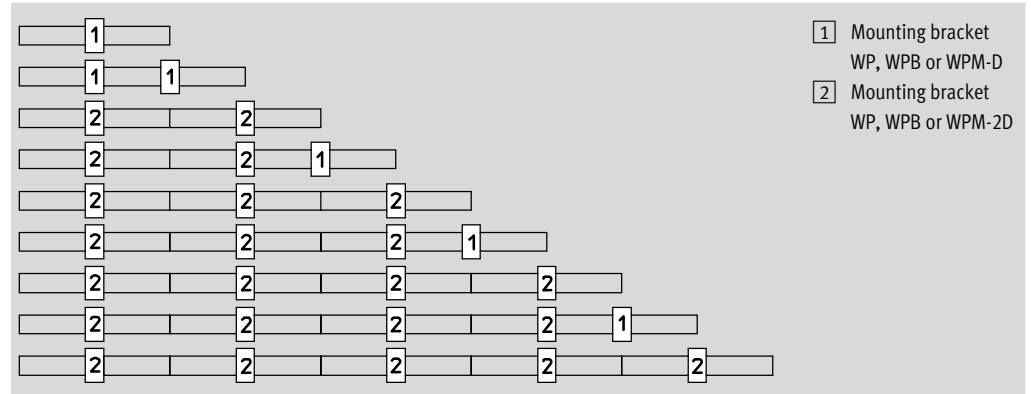
Suggested placement of wall mounting brackets when mounting air preparation combinations

1 unit: 2.44 in with WP, WPB
2.715 in with WPM-D

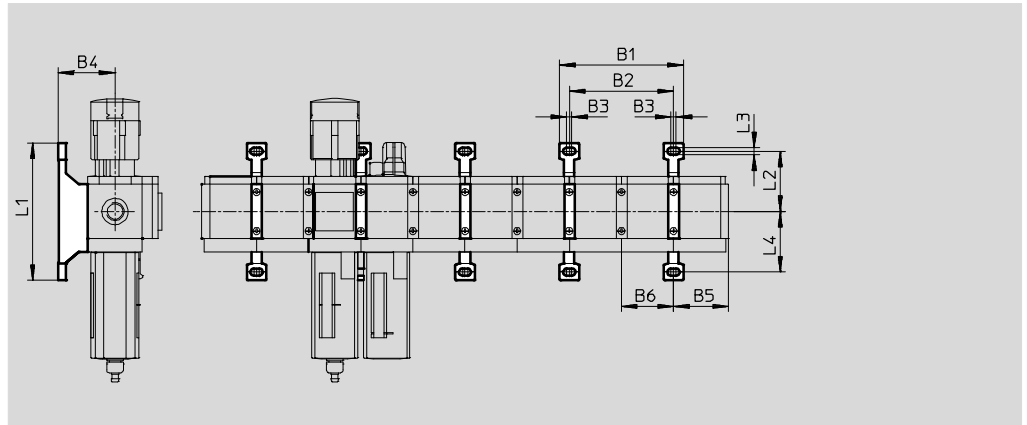
2 units: 4.88 in with WP, WPB
5.43 in with WPM-2D

Number of units

1 2 3 4 5 6 7 8 9 10



Mounting dimensions



Type	B1	B2	B3	B4	B5	B6	L1	L2	L3	L4
MS6-WP	5.55	4.88	0.18	2.13	2.54	2.44	6.22	2.80	0.26	2.80
MS6-WPB				3.56						1.63
MS6-WPM-...D	6.61	5.43	0.69	2.13	2.58	2.72	3.88	1.63		

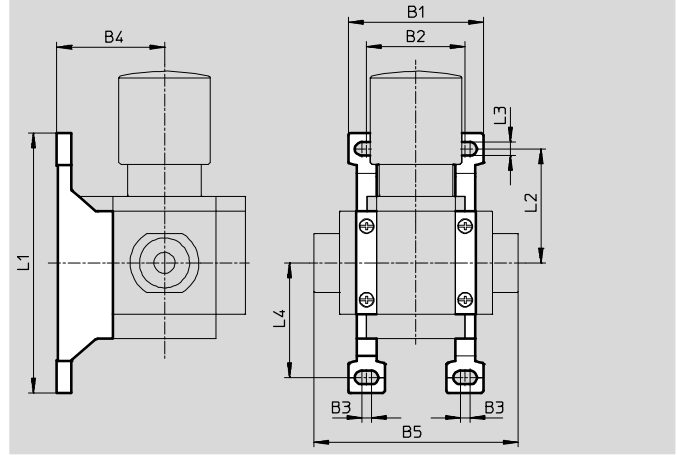
Filter Regulators MS6N-LFR – Inch Series

Accessories

Mounting bracket MS6-WP

- To connect the modules for wall mounting
- In combination with a port plate MS-AG... for mounting an individual unit on a wall
- In combination with mounting plate MS-AEND or for mounting an individual unit with body thread on a wall
- For pressure regulator LRB with angled outlet block B... at rear

Material:
Die-cast aluminum

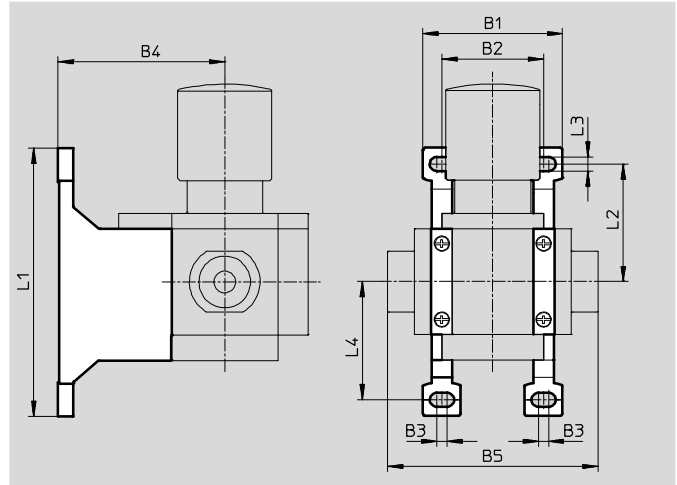


Dimensions and Ordering Data											
B1	B2	B3	B4	B5	L1	L2	L3	L4	Weight [lb]	Part No.	Type
3.11	2.44	0.18	2.13	4.53	6.22	2.80	0.26	2.80	0.15	532195	MS6-WP

Mounting bracket MS6-WPB

- To connect the modules for wall mounting
- In combination with a port plate MS-AG... for mounting an individual unit on a wall
- In combination with mounting plate MS-AEND or for mounting an individual unit with direct thread on a wall
- Provides large wall gap for pressure regulator

Material:
Die-cast aluminum



Dimensions and Ordering Data											
B1	B2	B3	B4	B5	L1	L2	L3	L4	Weight [lb]	Part No.	Type
3.11	2.44	0.18	3.56	4.53	6.22	2.80	0.26	2.80	0.23	526074	MS6-WPB

Filter Regulators MS6N-LFR – Inch Series

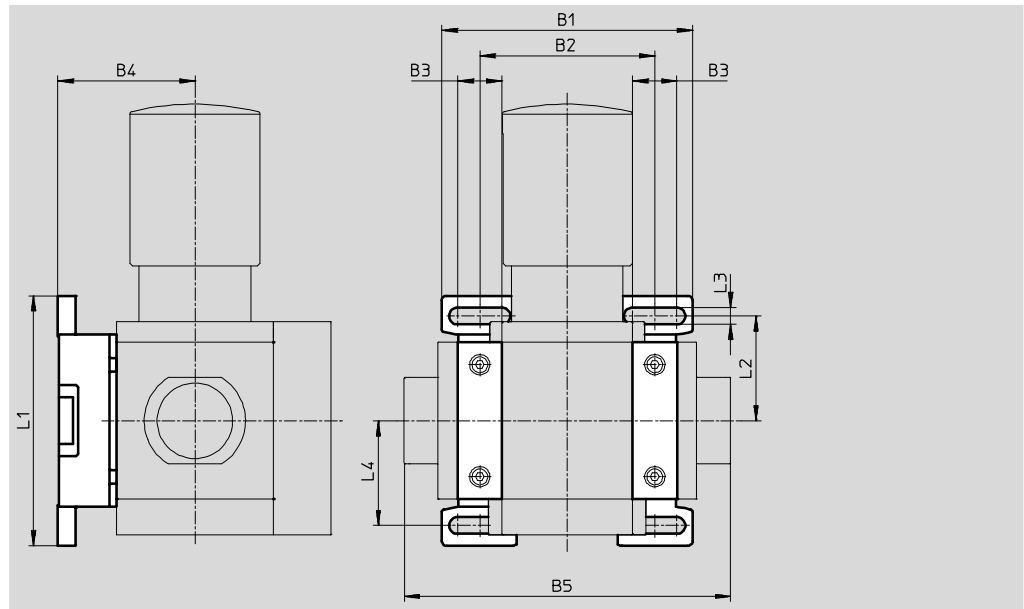
Accessories

Mounting bracket MS6-WPM

- To connect the modules for wall mounting
- In combination with a port plate MS-AG... for mounting an individual unit on a wall
- Speedy attachment and detachment
- For installation of modules with regulating knob pointing downwards

The distance piece D or 2D (designated in the type code) is included in the scope of delivery and ensures the correct clearance

Material:
Die-cast aluminum



Dimensions and Ordering Data												
B1	B2	B3	B4	B5	L1	L2	L3	L4	Clearance	Weight [lb]	Part No.	Type
3.90	2.72	0.69	2.13	5.08	3.88	1.63	0.26	1.63	2.44	0.29	526073	MS6-WPM-D
6.61	5.43			7.80					4.88			

Body connector MS6-MVM

- For installation of modules with regulating knob pointing downwards

Material:
Die-cast aluminum


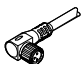




Ordering Data		
Size	Part No.	Type
MS6	532801	MS6-MVM


Filter Regulators MS6N-LFR – Inch Series


Accessories



11 Ordering Data – Plug Socket with Cable SIM-M8			Technical data → www.festo.com/catalog/sim-m8	
	Electrical connection	Cable length [ft]	Part No.	Type
				M8x1, 3-pin
		16.4	159421	SIM-M8-3GD-5-PU
		32.8	192964	SIM-M8-3GD-10-PU
	M8x1, 3-pin	8.2	159422	SIM-M8-3WD-2,5-PU
		16.4	159423	SIM-M8-3WD-5-PU
		32.8	192965	SIM-M8-3WD-10-PU

11 Ordering Data – Plug Socket with Cable SIM-M12			Technical data → www.festo.com/catalog/sim-m12	
	Electrical connection	Cable length [ft]	Part No.	Type
				M12x1, 4-pin
	M12x1, 4-pin	16.8	164258	SIM-M12-4WD-5-PU

10 Ordering Data – Pressure Gauge MA				Technical data → www.festo.com/catalog/ma		
	Nominal size	Pneumatic connection	Indicating range		Part No.	Type
			[bar]	[psi]		
	Pressure gauge MA, DIN EN 837-1					
	1.57	¼ NPT	0 ... 16	0 ... 232	183908	MA-40-16-N¼-EN
	Pressure gauge MA, DIN EN 837-1, with red-green range					
	1.97	¼ NPT	–	0 ... 232	530391	MA-50-232-N¼-PSI-E-RG

13 Ordering Data – Padlock LRVS-D			
	Description	Weight [lb]	Part No. Type
	for regulators, filter/regulators and manual on-off valves	0.24	193786 LRVS-D

Filter Regulators MS6N-LFR – Inch Series

Replacement Parts

FESTO

Ordering Data – Wearing Parts Kits			
Size	Description	Part No.	Type
MS6	Snap-ring, membrane, bellows, O-rings, screws, stem	673648	MS6-LFR



Ordering Data – Filter Cartridges			
Size	Filtration grade [µm]	Part No.	Type
MS6	5	534499	MS6-LFP-C
	40	534500	MS6-LFP-E

- For spare parts go to: www.festo.com/en/spare_parts_service

Festo - Your Partner in Automation



1 Festo Inc.
5300 Explorer Drive
Mississauga, ON L4W 5G4
Canada

Festo Customer Interaction Center
Tel: 1 877 463 3786
Fax: 1 877 393 3786
Email: customer.service.ca@festo.com



2 Festo Pneumatic
Av. Ceylán 3,
Col. Tequesquináhuac
54020 Tlalnepantla,
Estado de México

Multinational Contact Center
01 800 337 8669
ventas.mexico@festo.com



3 Festo Corporation
1377 Motor Parkway
Suite 310
Islandia, NY 11749

Festo Customer Interaction Center
1 800 993 3786
1 800 963 3786
customer.service.us@festo.com



4 Regional Service Center
7777 Columbia Road
Mason, OH 45040

Connect with us



www.festo.com/socialmedia



www.festo.com

Subject to change