

On/off valves MS-EE-B

FESTO



Festo Core Range
Solves the majority of your automation tasks

Worldwide:
Simply good:
Fast:

Quickest delivery – wherever, whenever
Expected high Festo quality
Easy and fast to select

With the Festo Core Range, we have selected the most important products and functions from our broad product catalogue, and added the quickest delivery.

The Core Range offers you the best value for your automation tasks.

Just look
for the
star!

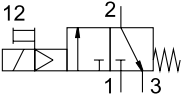
Key features

At a glance

Very compact and extremely lightweight series for use close to the process directly in the machine.

- Grid dimension 40 mm
- With solenoid coil, without plug socket
- Supply voltage: 24 V DC

Function



- Solenoid actuated on/off valve for pressurising and exhausting pneumatic systems
- Ducted exhaust air possible via a threaded connection
- Detenting and non-detenting manual override

Pneumatic connection

Individual fittings which are mounted via a female thread.

Version

[B] Basic

Basic component with sturdy and lightweight polymer housing. Fully compatible with the MS series.

Type codes

| | | |
|-----|-----------|--|
| 001 | Series | |
| MS | MS series | |

| | | |
|-----|----------------------|--|
| 002 | Size | |
| 4 | Grid dimension 40 mm | |
| 6 | Grid dimension 62 mm | |

| | | |
|-----|------------------------|--|
| 003 | Function | |
| EE | On/off valve, electric | |

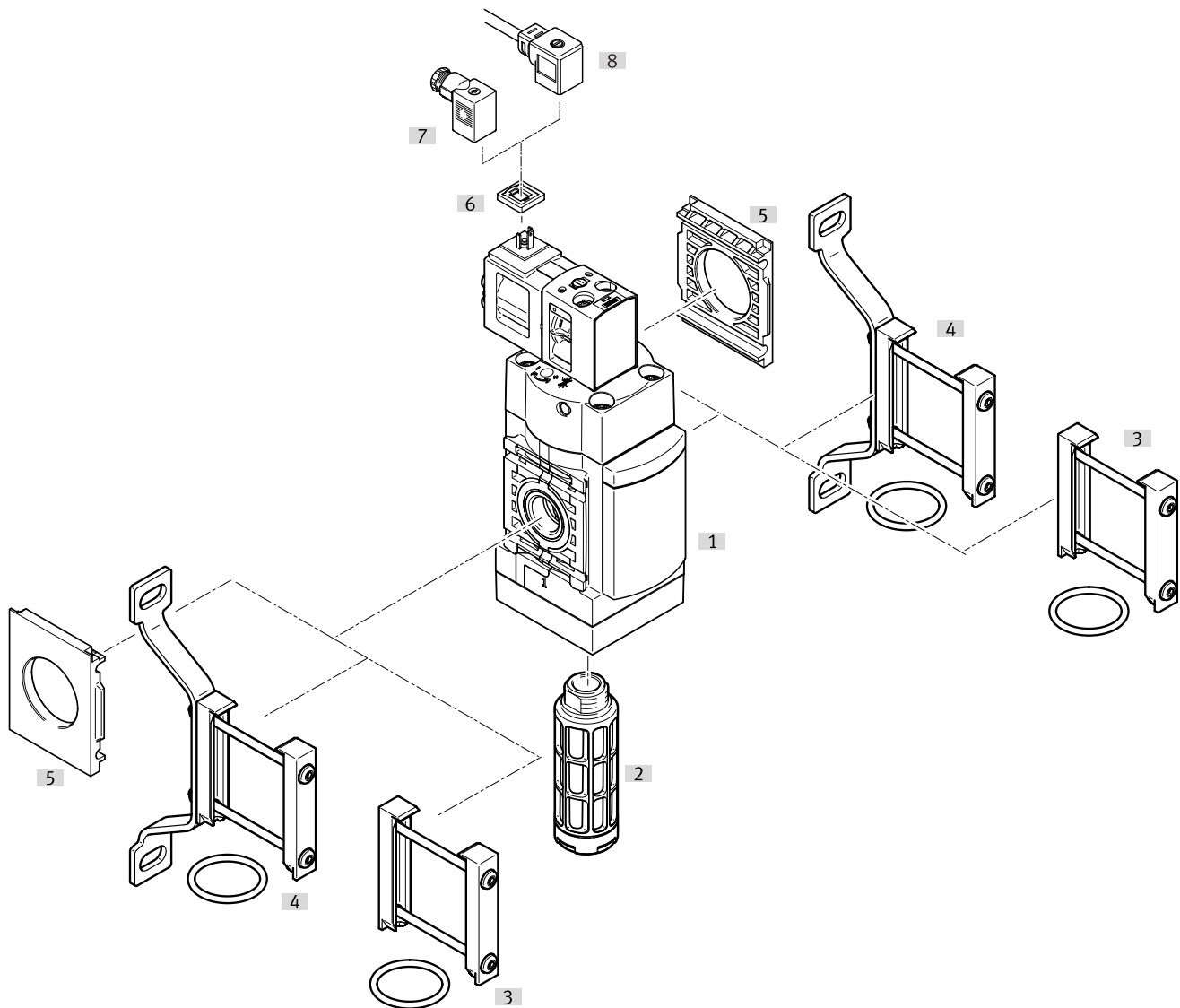
| | | |
|-----|----------------------|--|
| 004 | Pneumatic connection | |
| 1/4 | Female thread G1/4 | |
| 1/2 | Female thread G1/2 | |

| | | |
|-----|---|--|
| 005 | Supply voltage | |
| V24 | 24 V DC (connection pattern to EN 175301) | |

| | | |
|-----|--|--|
| 006 | Special material properties | |
| F1A | Recommended for production facilities for the manufacture of lithium-ion batteries | |

| | | |
|-----|---------|--|
| 007 | Version | |
| B | Basic | |

Peripherals overview



| Mounting attachments and accessories | | → Page/Internet |
|--------------------------------------|--------------------------------------|---|
| [1] | On/off valve MS4/6-EE...-B | 5 |
| [2] | Silencer U | 9 |
| [3] | Module connector MS...-MV1 | For connecting the modules 9 |
| [4] | Wall mounting kit MS...-WPE-B | For connecting the modules for wall mounting 9 |
| [5] | Mounting plate AEND ¹⁾ | 9 |
| [6] | Illuminating seal MEB-LD | 9 |
| [7] | Plug socket MSSD-EB | 9 |
| [8] | Plug socket with cable KMEB | 9 |

1) Only necessary for individual mounting. Mounting bracket MS4/6-WPE-B [4] is required for mounting.

Datasheet

| General technical data | | |
|--------------------------|----------------------------------|------|
| Size | 4 | 6 |
| Pneumatic connection 1 | G1/4 | G1/2 |
| Pneumatic connection 2 | G1/4 | G1/2 |
| Pneumatic connection 3 | G1/4 | G1/2 |
| Design | Poppet valve, solenoid actuated | |
| Type of mounting | Via wall/surface bracket | |
| Mounting position | Vertical +/-5° | |
| Valve function | 3/2-way, closed, single solenoid | |
| Manual override | Non-detenting and detenting | |
| Reset method | Mechanical spring | |
| Type of control | Piloted | |
| Pilot air supply | Internal | |
| Signal status indication | With accessories | |

| Electrical data | |
|---------------------------------|--------------------------|
| Characteristic coil data | 24 V DC: 2.3 W |
| Permissible voltage fluctuation | +/- 10 % |
| Electrical connection | Type C, to EN 175301-803 |
| Degree of protection | IP65 |
| Switch-on time | 29 ms |

| Characteristic flow rate values | | |
|---|-------------|--------------|
| Size | 4 | 6 |
| Standard nominal flow rate ¹⁾ | 2000 l/min | 5000 l/min |
| Standard flow rate, exhaust ²⁾ | 1600 l/min | 4000 l/min |
| C value | 8.36 l/sbar | 21.33 l/sbar |
| b value | 0.49 | 0.52 |

1) Measured at p₁ = 6 bar and p₂ = 5 bar, Δp = 1 bar.

2) Measured at p₁ = 6 bar and p₂ = 0 bar, Δp = 6 bar.

| Operating and environmental conditions | |
|--|---|
| Operating pressure (MPa) | 0.3 ... 0.7 MPa |
| Operating pressure (bar) | 3 ... 7 bar |
| Operating medium | Compressed air to ISO 8573-1:2010 [7:4:4] |
| Ambient temperature | -5 ... 50°C |
| Temperature of medium | -5 ... 50°C |
| Corrosion resistance class CRC ¹⁾ | 1 - Low corrosion stress |

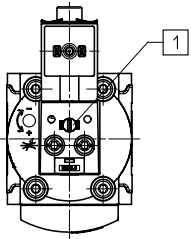
1) Further information www.festo.com/x/topic/crc

| Weight | | |
|----------------|-------|-------|
| Size | 4 | 6 |
| Product weight | 194 g | 517 g |

| Materials | |
|-----------------------|-------------------|
| Housing material | Reinforced PA |
| Sealing material | HNBR, NBR |
| Note on materials | RoHS-compliant |
| LABS (PWS) conformity | VDMA24364-B1/B2-L |

Datasheet

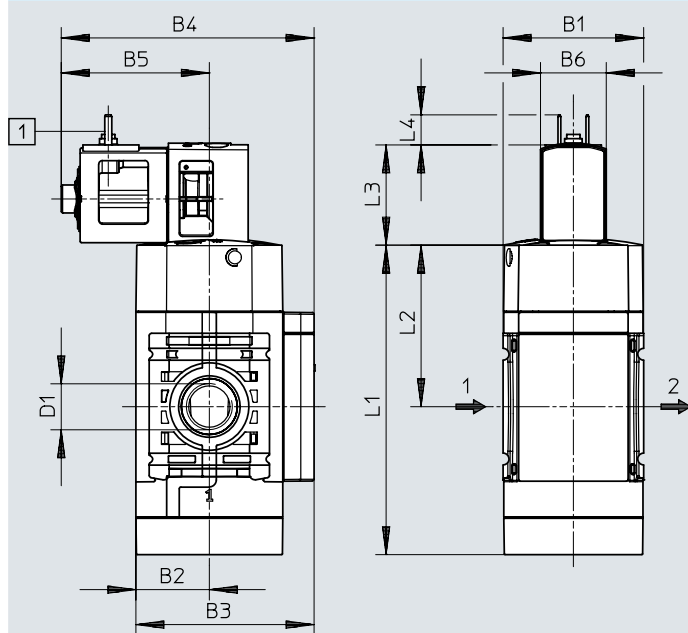
Manual override



[1] Detenting and non-detenting manual override

Dimensions – Basic version

Download CAD data → www.festo.com



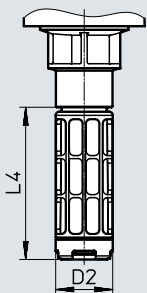
[1] Plug connection to EN 175301-803

→ Flow direction

| Type | B1 | B2 | B3 | B4 | B5 | B6 | D1 | L1 | L2 | L3 | L4 |
|-------------|------|----|------|------|------|------|------|------|------|------|-----|
| MS4-EE...-B | 40.2 | 21 | 50.9 | 72.3 | 42.4 | 18.8 | G1/4 | 88.5 | 46.2 | 28.7 | 8.6 |
| MS6-EE...-B | 62 | 31 | 76 | 87.7 | 42.7 | 18.8 | G1/2 | 140 | 75.5 | 28.2 | 8.6 |

Dimensions – Silencer (accessories)

Download CAD data → www.festo.com



| Type | D2 Ø | L4 |
|-------|---------|-----|
| U-1/4 | 20 | 55 |
| U-1/2 | 28 | 108 |

Datasheet

★ Core Range

| Ordering data | | |
|------------------------|-----------|------------------|
| Pneumatic connection 1 | Part no. | Type |
| G1/4 | ★ 8091771 | MS4-EE-1/4-V24-B |
| G1/2 | ★ 8091578 | MS6-EE-1/2-V24-B |

Accessories

Wall mounting kit MS...-WPE-B

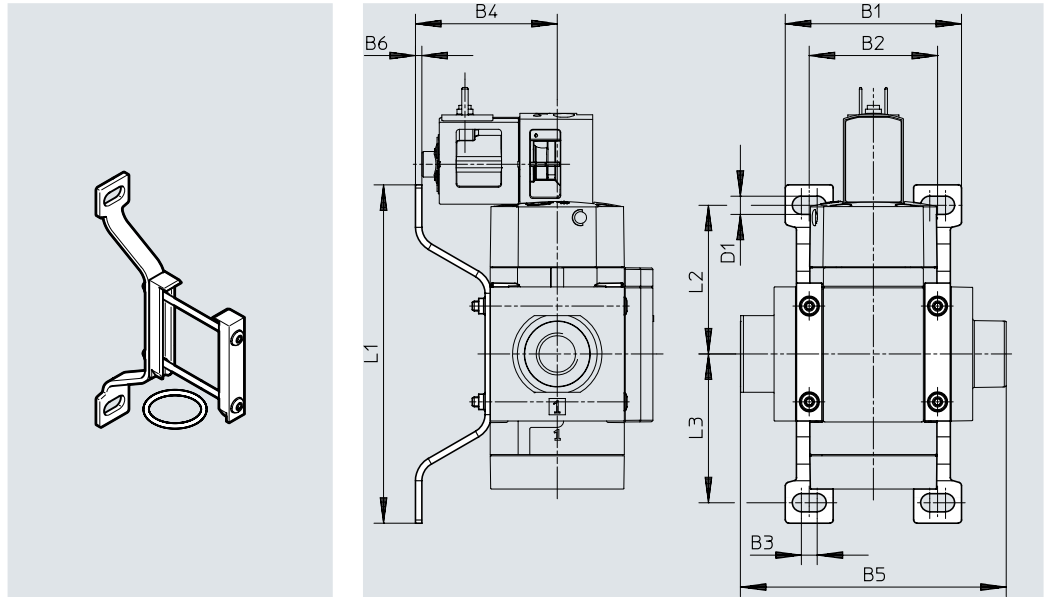
For size 4

- For wall mounting

Materials:

Steel

RoHS-compliant

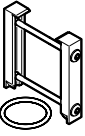


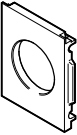
Dimensions and ordering data

| Size | B1 | B2 | B3 | B4 | B5 | B6 | D1 ∅ | L1 | L2 | L3 | Weight [g] | Part no. | Type |
|------|------|------|-----|------|-------|----|---------|-----|------|------|---------------|----------|-----------|
| 4 | 55.2 | 40.2 | 5 | 44.4 | 83.3 | 2 | 5.7 | 106 | 46.6 | 46.6 | 30 | 8118600 | MS4-WPE-B |
| 6 | 79 | 62 | 4.3 | 53.9 | 114.9 | 2 | 6.5 | 158 | 71 | 71 | 58 | 8118599 | MS6-WPE-B |

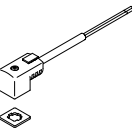
Accessories


★ Core Range

| Ordering data – Module connector MS...-MV1 | | | Part no. | Type |
|---|------|--|----------|---------|
| | Size | Description | | |
|  | 4 | For connecting the modules for wall mounting | 8119201 | MS4-MV1 |
| | 6 | | 8119204 | MS6-MV1 |

| Ordering data – Mounting plate MS...-AEND | | | Part no. | Type |
|---|------|--|----------|-----------|
| | Size | Description | | |
|  | 4 | In combination with mounting bracket MS...-WPE-B for wall mounting an individual component | 542966 | MS4-AEND |
| | 6 | | 535408 | MS6-AEND1 |

| Ordering data – Plug socket MSSD | | | Part no. | Type |
|--|-----------------------|-----------------------------------|----------|---------------|
| | Electrical connection | Cable connection | | |
|  | 3-pin | Screw terminal | ★ 151687 | MSSD-EB |
| | 4-pin | Insulation displacement connector | 192745 | MSSD-EB-S-M14 |

| Ordering data – Plug socket with cable KMEB | | | | | Part no. | Type |
|---|-------------------|-----------------------|-----------------------------|------------------|------------------|-------------------|
| | Operating voltage | Electrical connection | Switching status indication | Cable length [m] | | |
|  | 24 V DC | 2-pin | LED | 2.5 | 547268 | KMEB-3-24-2.5-LED |
| | | | | 5 | 547269 | KMEB-3-24-5-LED |
| | | | – | 2.5 | 547270 | KMEB-3-24-2.5 |
| | | 3-pin | | 5 | 547271 | KMEB-3-24-5 |
| | | | LED | 2.5 | ★ 151688 | KMEB-1-24-2.5-LED |
| | | | | 5 | 151689 | KMEB-1-24-5-LED |
| | | | 10 | 193457 | KMEB-1-24-10-LED | |

| Ordering data – Illuminating seal MEB-LD | | | | Part no. | Type |
|---|---|-------------------------|--|----------|----------------|
| | Description | Operating voltage range | | | |
|  | For plug socket with cable KMEB and plug socket MSSD-EB | 12 ... 24 V DC | | 151717 | MEB-LD-12-24DC |

Datasheets → Internet: meb, mc

| Ordering data – Silencer U | | | Part no. | Type |
|---|----------------------|--|----------|-------|
| | Pneumatic connection | | | |
|  | G1/4 | | 2316 | U-1/4 |
| | G1/2 | | 2310 | U-1/2 |

Festo - Your Partner in Automation



1 Festo Inc.
5300 Explorer Drive
Mississauga, ON L4W 5G4
Canada

Festo Customer Interaction Center
Tel: 1 877 463 3786
Fax: 1 877 393 3786
Email: customer.service.ca@festo.com



2 Festo Pneumatic
Av. Ceylán 3,
Col. Tequesquináhuac
54020 Tlalnepantla,
Estado de México

Multinational Contact Center
01 800 337 8669
ventas.mexico@festo.com



3 Festo Corporation
1377 Motor Parkway
Suite 310
Islandia, NY 11749

Festo Customer Interaction Center
1 800 993 3786
1 800 963 3786
customer.service.us@festo.com



4 Regional Service Center
7777 Columbia Road
Mason, OH 45040

Connect with us



www.festo.com/socialmedia



www.festo.com

Subject to change