



- Electrically or pneumatically actuated valves
- Valves with internal or external pilot air
- Manifold mounting for 2 ... 10 valves or individual mounting

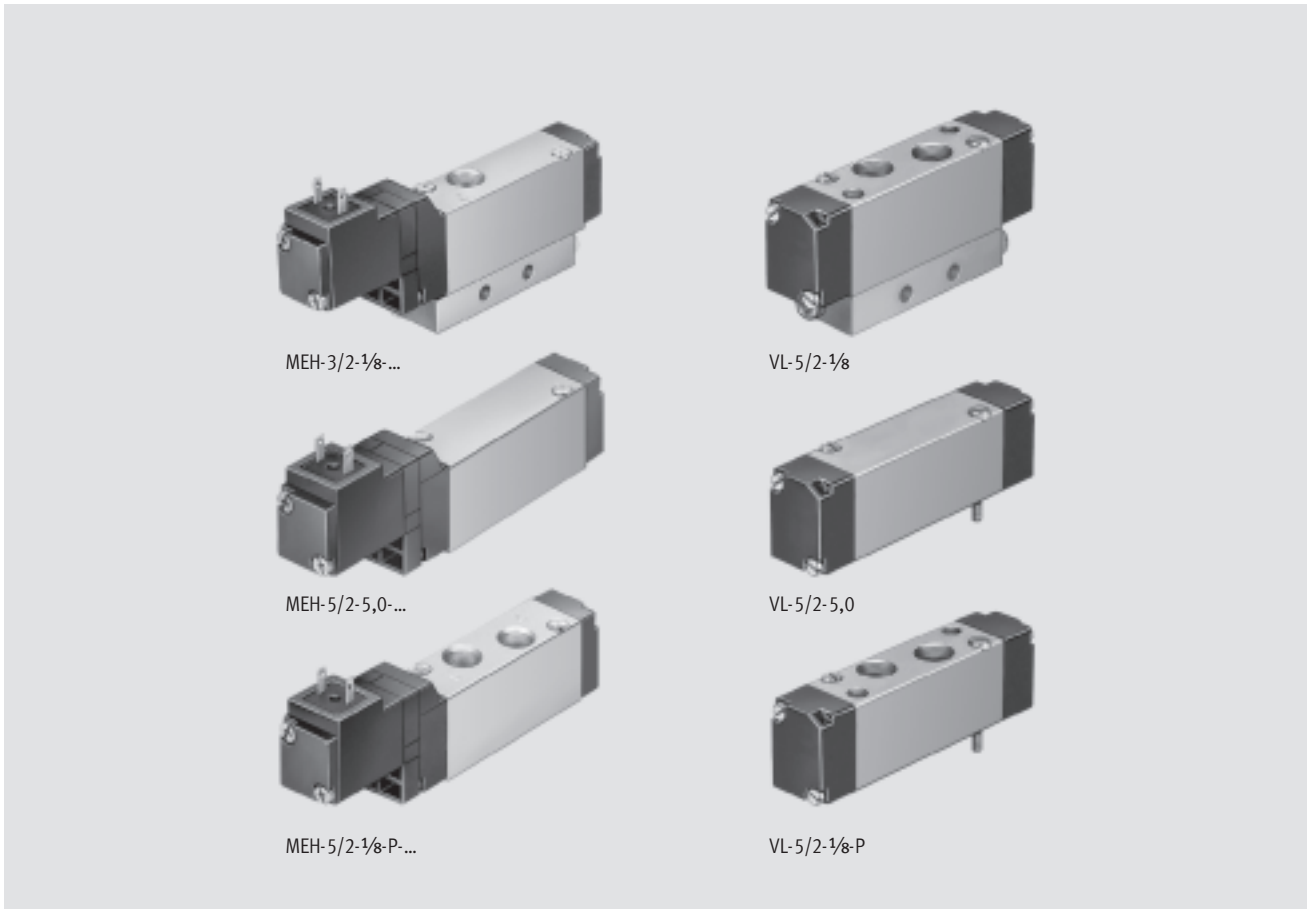
# Solenoid/pneumatic valves, midi pneumatics




Features

FESTO

Directional control valves for standard applications  
Midi Pneumatic

2.4



Parameter	Variants	Possible combinations	Mounting
<ul style="list-style-type: none"> <li>-  - Flow rate 200 ... 700 l/min</li> <li>-  - Width 18 mm</li> <li>-  - Voltage 24 V DC 110 or 230 V AC</li> </ul>	<ul style="list-style-type: none"> <li>■ Electrically and pneumatically actuated valves</li> <li>■ 3/2, 5/2 and 5/3-way valves</li> <li>■ Sub-base valves</li> <li>■ Semi in-line valves</li> </ul>	<ul style="list-style-type: none"> <li>■ Any number of valves can be added with series sub-bases</li> <li>■ 2 ... 10 manifold mounted valves with blanking plates for spare positions</li> <li>■ Prefabricated plug socket with cable, LED and protective circuit</li> <li>■ Cable and solenoid coil for assembly by user</li> <li>■ Manual override</li> </ul>	<ul style="list-style-type: none"> <li>Semi in-line valves, threaded</li> <li>■ Individual mounting</li> <li>Sub-base valves</li> <li>■ Sub-base</li> <li>■ Series sub-base</li> <li>Valves with in-line connection at top</li> <li>■ PRS manifold</li> </ul>

# Solenoid/pneumatic valves, midi pneumatics

Features

## Mounting options

Individual sub-base

Connection at side

AS-ME-1/8

AS-VL-1/8



Connection underneath

AU-ME-1/8



Manifold mounting

Series sub-base

AW-ME-1/8



AW-VL-1/8



Intermediate plate

ZP-ME-1/8



End plate kit

EP-ME-1/8



Blanking plate for spare positions

PRMEB-5



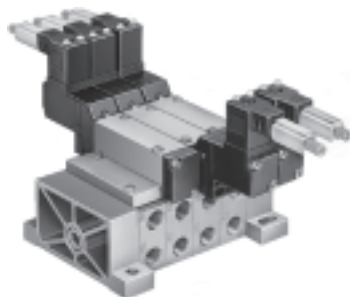
In-line manifold

PRS-ME-1/8



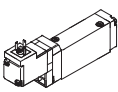
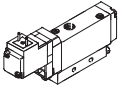
Blanking plate for spare positions

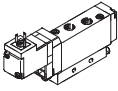
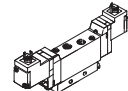
PRSB-ME-1/8

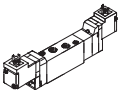


# Solenoid valves MEH/MEBH, midi pneumatics

Overview – Solenoid valves

Function	Design	Type	Nominal flow rate [l/min]	Pneumatic connection	Operating voltage		Semi in-line valve	Sub-base valve
					[V DC]	[V AC]		
3/2-way valves		MEBH-3/2-...	700	5.0 mm	24	110, 230	-	■
			600	G1/8			■	-
		MOEBH-3/2-...	700	5.0 mm	24	110, 230	-	■
			600	G1/8			■	-
		MEH-3/2-...	700	5.0 mm	24	-	-	■
			600	G1/8			■	-
		MOEH-3/2-...	700	5.0 mm	24	-	-	■
			600	G1/8			■	-

Function	Design	Type	Nominal flow rate [l/min]	Pneumatic connection	Operating voltage		Semi in-line valve	Sub-base valve	
					[V DC]	[V AC]			
5/2-way valves		MEBH-5/2-...	700	5.0 mm	24	110, 230	-	■	
			600	G1/8			■	-	
		MEH-5/2-...	700	5.0 mm	24	-	-	■	
			600	G1/8			■	-	
	<b>Double solenoid valve</b>								
		JMEBH-5/2-...	700	5.0 mm	24	110, 230	-	■	
			650	G1/8			■	-	
		JMEH-5/2-...	700	5.0 mm	24	-	-	■	
650			G1/8	■			-		

Function	Design	Type	Nominal flow rate [l/min]	Pneumatic connection	Operating voltage		Semi in-line valve	Sub-base valve
					[V DC]	[V AC]		
5/3-way valves		MEBH-5/3...	500	5.0 mm	24	110, 230	-	■
			600	G1/8			■	-
			400	5.0 mm			-	■
			300	G1/8			■	-
			400	5.0 mm			-	■
			200	G1/8			■	-
		MEH-5/3...	500	5.0 mm	24	-	-	■
			600	G1/8			■	-
			400	5.0 mm			-	■
			300	G1/8			■	-
			400	5.0 mm			-	■
			200	G1/8			■	-

# Solenoid valves MEH/MEBH, midi pneumatics

Overview – Solenoid valves

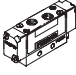
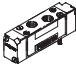
Type	Pilot air supply		Type of reset		Normal position		→ Page/Internet
	internal	external	pneumatic spring	mechanical spring	closed	open	
<b>Solenoid valve</b>							
MEBH-3/2-...	■	-	-	■	■	-	9
MOEBH-3/2-...	■	-	-	■	-	■	
MEH-3/2-...	■	-	-	■	■	-	21
MOEH-3/2-...	■	-	-	■	-	■	

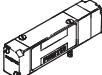
Type	Pilot air supply		Type of reset		Normal position		→ Page/Internet
	internal	external	pneumatic spring	mechanical spring	closed	open	
<b>Solenoid valve</b>							
MEBH-5/2-...	■	■	■	■	-	-	9
MEH-5/2-...	■	■	■	■	-	-	21
<b>Double solenoid valve</b>							
JMEBH-5/2-...	■	■	-	-	-	-	9
JMEH-5/2-...	■	■	-	-	-	-	21

Type	Pilot air supply		Type of reset		Normal position			→ Page/Internet
	internal	external	pneumatic spring	mechanical spring	closed	exhausted	pressurised	
<b>Solenoid valve</b>								
MEBH-5/3...	■	■	-	■	■	-	-	9
	■	■	-	■	-	■	-	
	■	■	-	■	-	-	■	
MEH-5/3...	■	■	-	■	■	-	-	21
	■	■	-	■	-	■	-	
	■	■	-	■	-	-	■	

# Pneumatic valves VL/J, midi pneumatics

Overview – Pneumatic valves

Function	Design	Type	Nominal flow rate [l/min]	Pneumatic connection	Semi in-line valve	Sub-base valve
5/2-way valves	Pneumatic valve					
		VL-5/2-...	700	5.0 mm	-	■
			600	G1/8	■	-
	Double pilot valve					
		J-5/2-...	700	5.0 mm	-	■
			650	G1/8	■	-

Function	Design	Type	Nominal flow rate [l/min]	Pneumatic connection	Semi in-line valve	Sub-base valve
5/3-way valves	Pneumatic valve					
		VL-5/3...	600	5.0 mm	-	■
			500	G1/8	■	-
			350	5.0 mm	-	■
			350	G1/8	■	-
			300	5.0 mm	-	■
			300	G1/8	■	-

# Pneumatic valves VL/J, midi pneumatics

Overview – Pneumatic valves

Type	Pilot air supply		Type of reset		→ Page/Internet
	internal	external	pneumatic spring	mechanical spring	
<b>Pneumatic valve</b>					
VL-5/2-...	■	-	-	■	2 / 2.4-34
<b>Double pilot valve</b>					
J-5/2-...	■	-	-	-	2 / 2.4-34

Type	Pilot air supply		Normal position			→ Page/Internet
	internal	external	closed	exhausted	pressurised	
<b>Pneumatic valve</b>						
VL-5/3...	■	-	■	-	-	2 / 2.4-34
	■	-	-	■	-	
	■	-	-	-	■	

# Solenoid valves MEH/MEBH, midi pneumatics

Type codes



Directional control valves for standard applications  
Midi Pneumatic

2.4


MEBH		5/2	1/8	P	L		B	110AC
<b>Type</b>								
MEBH	Single solenoid, with EB solenoid coil							
MOEBH	Single solenoid, with EB solenoid coil, normally open							
MEH	Single solenoid, with E solenoid coil							
MOEH	Single solenoid, with E solenoid coil, normally open							
JMEBH	Double solenoid, with EB solenoid coil							
JMEH	Double solenoid, with E solenoid coil							
<b>Valve function</b>								
3/2	3/2-way valve							
5/2	5/2-way valve							
5/3	5/3-way valve							
<b>Normal position</b>								
G	Closed							
E	Exhausted							
B	Pressurised							
<b>Design, pneumatic connection/nominal size</b>								
1/8	Semi in-line valve, thread G1/8							
5.0	Sub-base valve, 5 mm							
<b>Mounting method</b>								
P	On manifold PRS-ME							
<b>Type of reset</b>								
	Mechanical spring							
L	Pneumatic spring							
<b>Pilot air supply</b>								
	Internal							
S	External							
<b>Generation</b>								
B	B series							
<b>Operating voltage</b>								
	24 V DC							
110AC	110 V AC							
230AC	230 V AC							




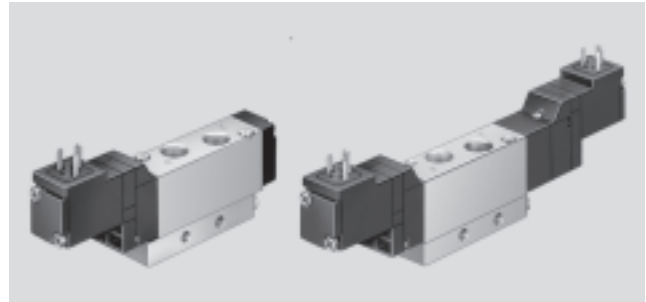
# Solenoid valves MEBH, midi pneumatics

FESTO

Technical data

-  - Flow rate  
200 ... 700 l/min

-  - Voltage  
24 V DC  
110/230 V AC



General technical data								
Type		MEBH-3/2-... MOEBH-3/2-...	MEBH-5/2-...	JMEBH-5/2-...	MEBH-5/3...			
Design		Piston spool						
Type of mounting	...-1/8	2 through-holes						
	...-5.0	On sub-base with two M3 screws						
	...-1/8-P	On manifold with two M3 screws						
Pneumatic connection	...-1/8	G1/8						
	...-5.0	Sub-base						
	...-1/8-P	G1/8						
Nominal size	[mm]	5						
Standard nominal flow rate 1 > 2, 1 > 4	[l/min]	...-1/8	600/500	600	650	G	E	B
		...-5.0	700/600	700	700	600	300	200
		...-1/8-P	600/500	600	650	500	400	400
						650	300	200
Materials		Housing: Aluminium Seals: Nitrile rubber						
Weight	[g]	...-1/8	105	105	142	153		
		...-5.0	105	105	146	150		
		...-1/8-P	105	105	142	153		

Operating and environmental conditions							
Type		MEBH-3/2-... MOEBH-3/2-...	MEBH-5/2-...	JMEBH-5/2-...	MEBH-5/3...		
Operating medium		Filtered compressed air, lubricated or unlubricated <sup>1)</sup> Vacuum					
Operating pressure range	Internal pilot air supply	[bar]	2 ... 8	2.5 ... 8	1.5 ... 8	3 ... 8	
	External pilot air supply	[bar]	-	-0.9 ... +10			
Pilot pressure range		[bar]	-	2.5 ... 8	1.5 ... 8	3 ... 8	
Ambient temperature		[°C]	-5 ... +50				
Temperature of medium		[°C]	-5 ... +50				

1) Only oils of viscosity class 32 may be used for lubricated operation.

# Solenoid valves MEBH, midi pneumatics

Technical data

Valve response times [ms]							
Type	MEBH-3/2-... MOEBH-3/2-...		MEBH-5/2-...		JMEBH-5/2-...	MEBH-5/3...	
Type of reset	mechanical	pneumatic	mechanical	pneumatic	–	mechanical	pneumatic
On	10	–	10	15	–	12	–
Off	28	–	28	18	–	25	–
Changeover	–	–	–	–	10	–	–

Electrical data			
EB solenoid coil			
Electrical connection			Plug, square design to EN 175 301-803, type C
Operating voltage	D.C. voltage	[V DC]	24
	AC voltage	[V AC]	110/230 (50 ... 60 Hz)
Coil characteristics	D.C. voltage	[W]	2.5
	AC voltage	[VA]	2.4
Protection class to EN 60 529			IP65 (in combination with plug socket)

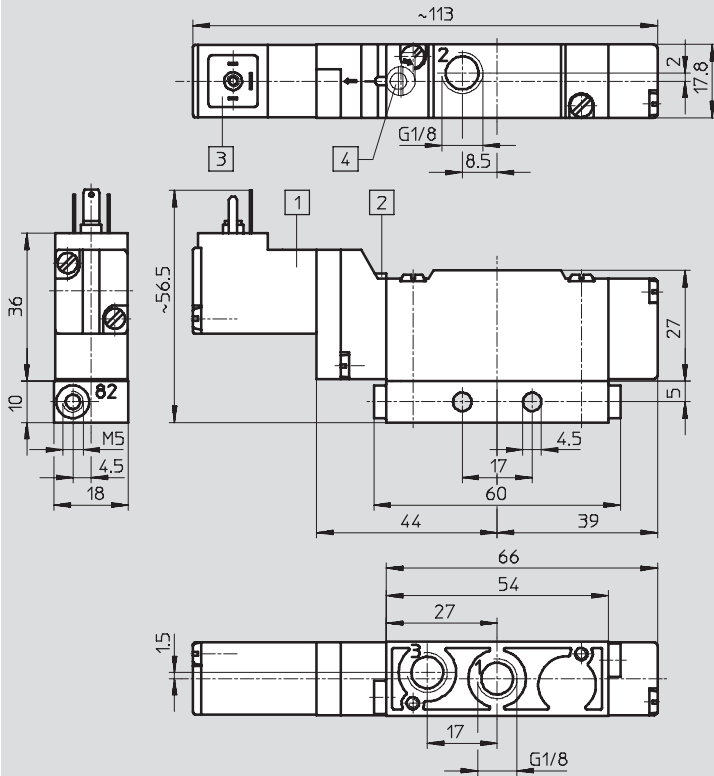
# Solenoid valves MEBH, midi pneumatics

Technical data – 3/2-way valves

## Dimensions

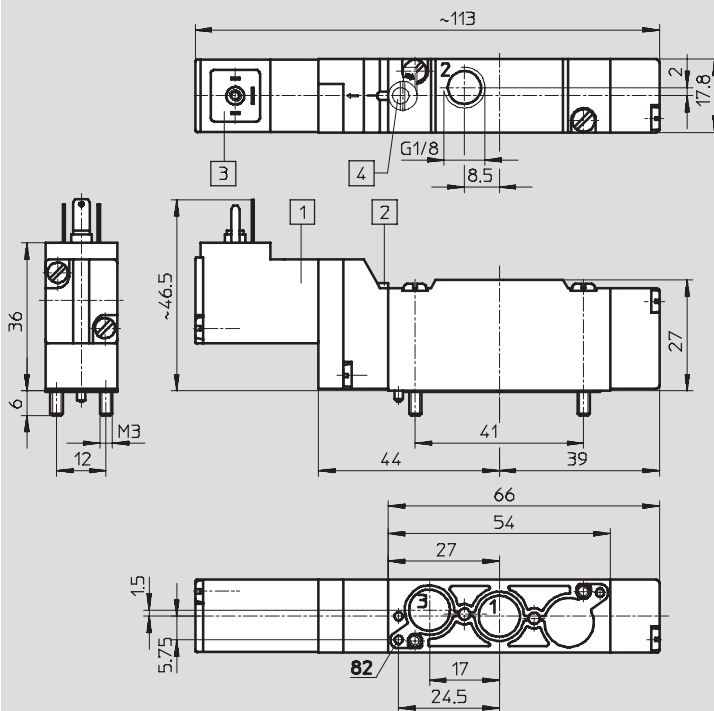
Download CAD data → [www.festo.com](http://www.festo.com)

Semi in-line valve with thread G1/8



- 1 Solenoid coil can be rotated 180°<sup>1)</sup>
  - 2 Manual override
  - 3 Suitable for plug sockets to EN 175 301-803, form C: MSSD-EB or KMEB-...
  - 4 Manual override tool (accessory) AHB-ME-1/8
- 1) The seal must not be turned!

Semi in-line valve for manifold PRS-ME



- 1 Solenoid coil can be rotated 180°<sup>1)</sup>
  - 2 Manual override
  - 3 Suitable for plug sockets to EN 175 301-803, form C: MSSD-EB or KMEB-...
  - 4 Manual override tool (accessory) AHB-ME-1/8
- 1) The seal must not be turned!

# Solenoid valves MEBH, midi pneumatics

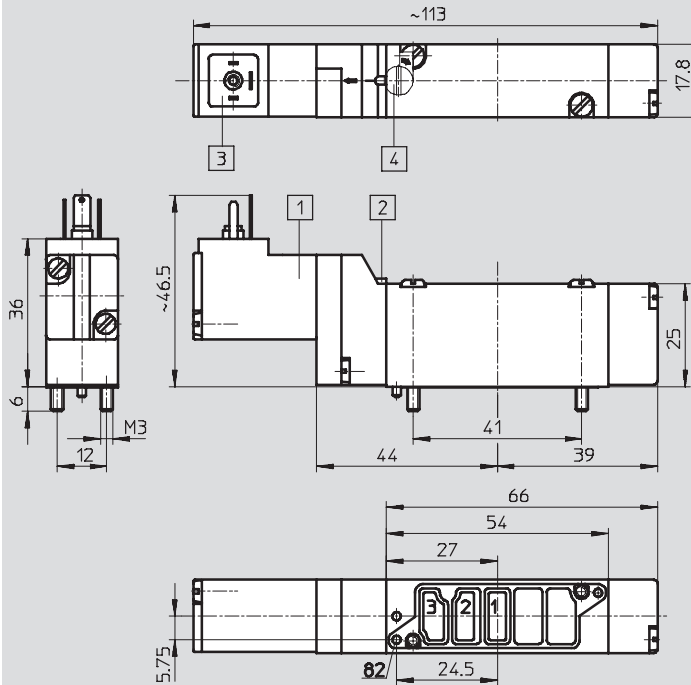
Technical data – 3/2-way valves

FESTO

## Dimensions

Download CAD data → [www.festo.com](http://www.festo.com)

Sub-base valve



- 1) Solenoid coil can be rotated 180°<sup>1)</sup>
  - 2) Manual override
  - 3) Suitable for plug sockets to EN 175 301-803, form C: MSSD-EB or KMEB-...
  - 4) Manual override tool (accessory) AHB-ME-1/8
- 1) The seal must not be turned!

## Ordering data

Circuit symbol	Description	Voltage	Part No.	Type
<b>Normally closed</b>				
	Semi in-line valve with thread G1/8	24 V DC	172 998	MEBH-3/2-1/8-B
		110 V AC	173 042	MEBH-3/2-1/8-B-110AC
		230 V AC	173 084	MEBH-3/2-1/8-B-230AC
	Semi in-line valve for manifold PRS-ME	24 V DC	173 000	MEBH-3/2-1/8-P-B
		110 V AC	173 056	MEBH-3/2-1/8-P-B-110AC
		230 V AC	173 098	MEBH-3/2-1/8-P-B-230AC
	Sub-base valve	24 V DC	172 999	MEBH-3/2-5,0-B
		110 V AC	173 070	MEBH-3/2-5,0-B-110AC
		230 V AC	173 112	MEBH-3/2-5,0-B-230AC
<b>Normally open</b>				
	Semi in-line valve with thread G1/8	24 V DC	173 001	MOEBH-3/2-1/8-B
		110 V AC	173 053	MOEBH-3/2-1/8-B-110AC
		230 V AC	173 095	MOEBH-3/2-1/8-B-230AC
	Semi in-line valve for manifold PRS-ME	24 V DC	173 003	MOEBH-3/2-1/8-P-B
		110 V AC	173 067	MOEBH-3/2-1/8-P-B-110AC
		230 V AC	173 109	MOEBH-3/2-1/8-P-B-230AC
	Sub-base valve	24 V DC	173 002	MOEBH-3/2-5,0-B
		110 V AC	173 081	MOEBH-3/2-5,0-B-110AC
		230 V AC	173 123	MOEBH-3/2-5,0-B-230AC

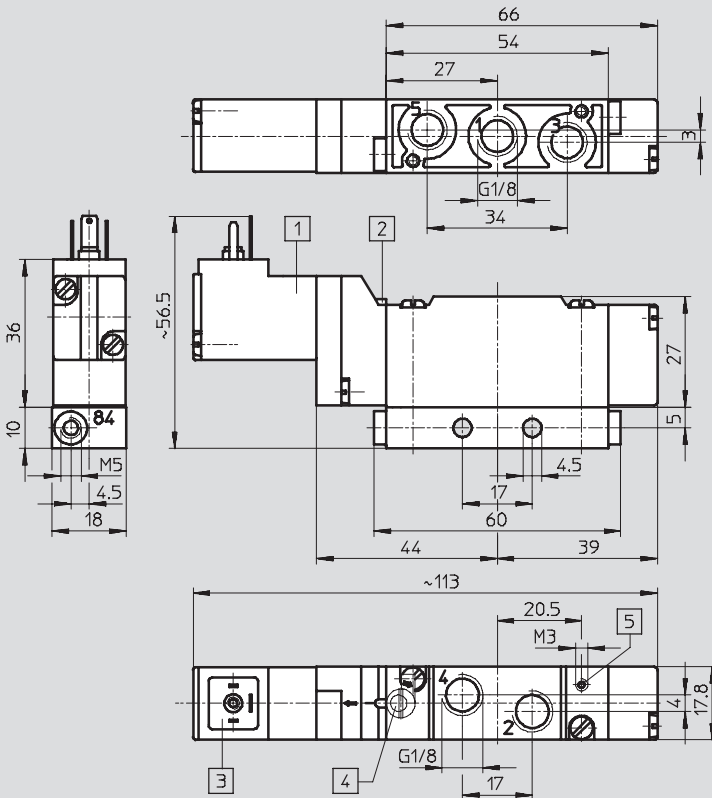
# Solenoid valves MEBH, midi pneumatics

Technical data – 5/2-way valves

## Dimensions

Download CAD data → [www.festo.com](http://www.festo.com)

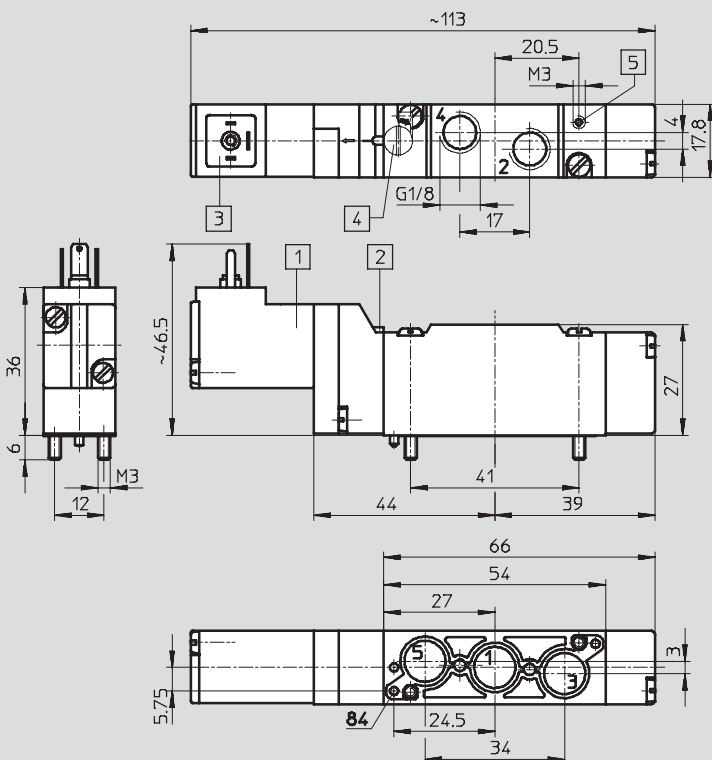
Semi in-line valve with thread G1/8



- 1 Solenoid coil can be rotated 180°<sup>1)</sup>
- 2 Manual override
- 3 Suitable for plug sockets to EN 175 301-803, form C: MSSD-EB or KMEB-...
- 4 Manual override tool (accessory) AHB-ME-1/8
- 5 Port for external pilot air on S types

1) The seal must not be turned!

Semi in-line valve for manifold PRS-ME



- 1 Solenoid coil can be rotated 180°<sup>1)</sup>
- 2 Manual override
- 3 Suitable for plug sockets to EN 175 301-803, form C: MSSD-EB or KMEB-...
- 4 Manual override tool (accessory) AHB-ME-1/8
- 5 Port for external pilot air on S types

1) The seal must not be turned!

# Solenoid valves MEBH, midi pneumatics

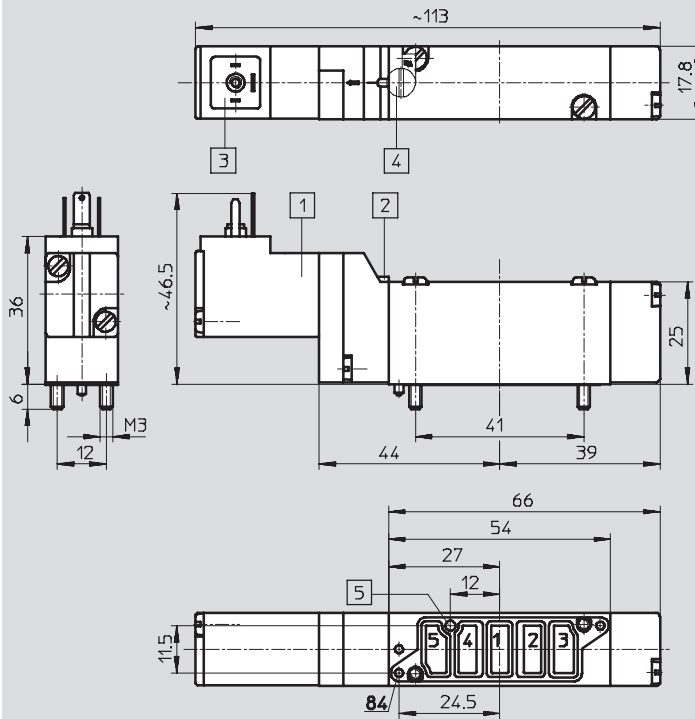
Technical data – 5/2-way valves

FESTO

## Dimensions

Download CAD data → [www.festo.com](http://www.festo.com)

Sub-base valve



- 1) Solenoid coil can be rotated 180°<sup>1)</sup>
  - 2) Manual override
  - 3) Suitable for plug sockets to EN 175 301-803, form C: MSSD-EB or KMEB-...
  - 4) Manual override tool (accessory) AHB-ME-1/8
  - 5) Port for external pilot air on S types
- 1) The seal must not be turned!

# Solenoid valves MEBH, midi pneumatics

Technical data – 5/2-way valves

Ordering data				
Circuit symbol	Description	Voltage	Part No.	Type
<b>Mechanical spring return, internal pilot air supply</b>				
	Semi in-line valve with thread G1/8	24 V DC	173 004	MEBH-5/2-1/8-B
		110 V AC	173 043	MEBH-5/2-1/8-B-110AC
		230 V AC	173 085	MEBH-5/2-1/8-B-230AC
	Semi in-line valve for manifold PRS-ME	24 V DC	173 006	MEBH-5/2-1/8-P-B
		110 V AC	173 057	MEBH-5/2-1/8-P-B-110AC
		230 V AC	173 099	MEBH-5/2-1/8-P-B-230AC
	Sub-base valve	24 V DC	173 005	MEBH-5/2-5,0-B
		110 V AC	173 071	MEBH-5/2-5,0-B-110AC
		230 V AC	173 113	MEBH-5/2-5,0-B-230AC
<b>Mechanical spring return, external pilot air supply</b>				
	Semi in-line valve with thread G1/8	24 V DC	173 007	MEBH-5/2-1/8-S-B
		110 V AC	173 046	MEBH-5/2-1/8-S-B-110AC
		230 V AC	173 088	MEBH-5/2-1/8-S-B-230AC
	Semi in-line valve for manifold PRS-ME	24 V DC	173 009	MEBH-5/2-1/8-P-S-B
		110 V AC	173 060	MEBH-5/2-1/8-P-S-B-110AC
		230 V AC	173 102	MEBH-5/2-1/8-P-S-B-230AC
	Sub-base valve	24 V DC	173 008	MEBH-5/2-5,0-S-B
		110 V AC	173 074	MEBH-5/2-5,0-S-B-110AC
		230 V AC	173 116	MEBH-5/2-5,0-S-B-230AC
<b>Pneumatic spring return, internal pilot air supply</b>				
	Semi in-line valve with thread G1/8	24 V DC	173 010	MEBH-5/2-1/8-L-B
		110 V AC	173 044	MEBH-5/2-1/8-L-B-110AC
		230 V AC	173 086	MEBH-5/2-1/8-L-B-230AC
	Semi in-line valve for manifold PRS-ME	24 V DC	173 012	MEBH-5/2-1/8-P-L-B
		110 V AC	173 058	MEBH-5/2-1/8-P-L-B-110AC
		230 V AC	173 100	MEBH-5/2-1/8-P-L-B-230AC
	Sub-base valve	24 V DC	173 011	MEBH-5/2-5,0-L-B
		110 V AC	173 072	MEBH-5/2-5,0-L-B-110AC
		230 V AC	173 114	MEBH-5/2-5,0-L-B-230AC
<b>Pneumatic spring return, external pilot air supply</b>				
	Semi in-line valve with thread G1/8	24 V DC	173 013	MEBH-5/2-1/8-L-S-B
		110 V AC	173 045	MEBH-5/2-1/8-L-S-B-110AC
		230 V AC	173 087	MEBH-5/2-1/8-L-S-B-230AC
	Semi in-line valve for manifold PRS-ME	24 V DC	173 015	MEBH-5/2-1/8-P-L-S-B
		110 V AC	173 059	MEBH-5/2-1/8-P-L-S-B-110AC
		230 V AC	173 101	MEBH-5/2-1/8-P-L-S-B-230AC
	Sub-base valve	24 V DC	173 014	MEBH-5/2-5,0-L-S-B
		110 V AC	173 073	MEBH-5/2-5,0-L-S-B-110AC
		230 V AC	173 115	MEBH-5/2-5,0-L-S-B-230AC

# Solenoid valves MEBH, midi pneumatics

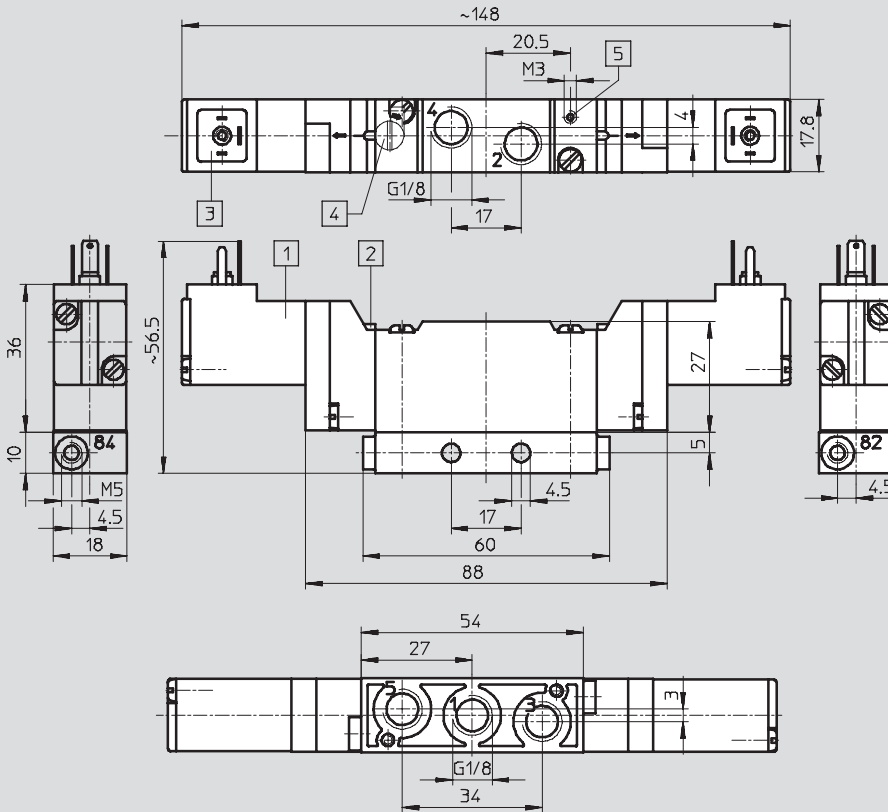
Technical data – 5/2-way valves, double solenoid

FESTO

## Dimensions

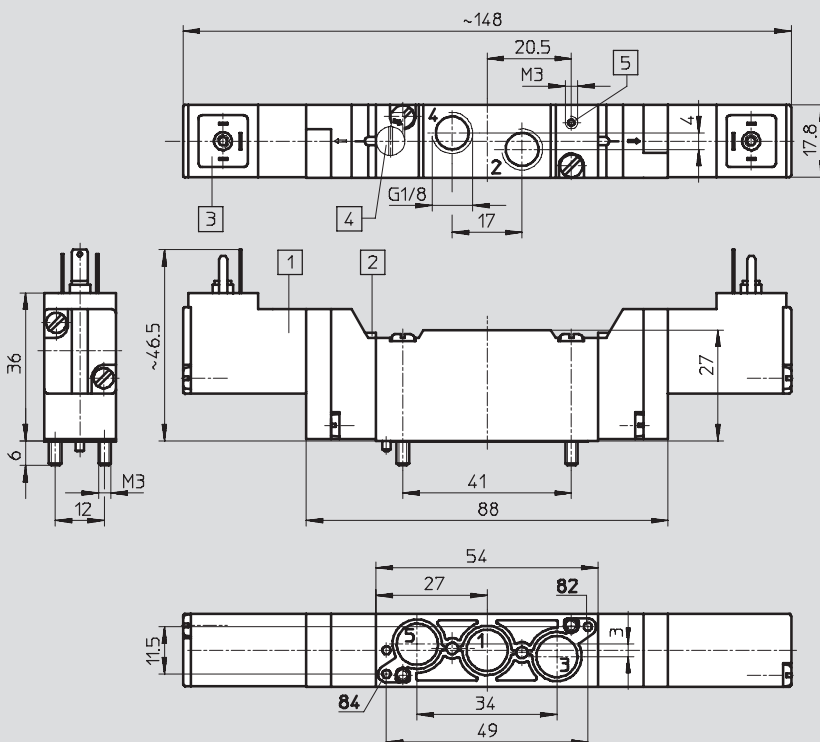
Download CAD data → [www.festo.com](http://www.festo.com)

Semi in-line valve with thread G $\frac{1}{8}$



- 1 Solenoid coil can be rotated 180°<sup>1)</sup>
  - 2 Manual override
  - 3 Suitable for plug sockets to EN 175 301-803, form C: MSSD-EB or KMEB-...
  - 4 Manual override tool (accessory) AHB-ME-1/8
  - 5 Port for external pilot air on S types
- 1) The seal must not be turned!

Semi in-line valve for manifold PRS-ME



- 1 Solenoid coil can be rotated 180°<sup>1)</sup>
  - 2 Manual override
  - 3 Suitable for plug sockets to EN 175 301-803, form C: MSSD-EB or KMEB-...
  - 4 Manual override tool (accessory) AHB-ME-1/8
  - 5 Port for external pilot air on S types
- 1) The seal must not be turned!



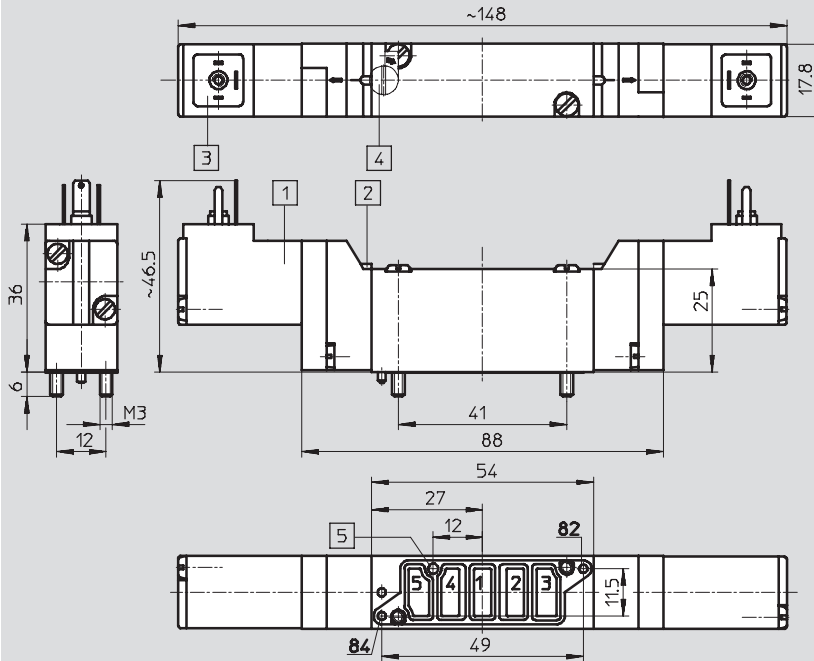
# Solenoid valves MEBH, midi pneumatics

Technical data – 5/2-way valves, double solenoid

## Dimensions

Download CAD data → [www.festo.com](http://www.festo.com)

Sub-base valve



- 1) Solenoid coil can be rotated 180°<sup>1)</sup>
  - 2) Manual override
  - 3) Suitable for plug sockets to EN 175 301-803, form C: MSSD-EB or KMEB-...
  - 4) Manual override tool (accessory) AHB-ME-1/8
  - 5) Port for external pilot air on S types
- 1) The seal must not be turned!

Ordering data				
Circuit symbol	Description	Voltage	Part No.	Type
<b>Internal pilot air supply</b>				
	Semi in-line valve with thread G1/8	24 V DC	173 034	JMEBH-5/2-1/8-B
		110 V AC	173 040	JMEBH-5/2-1/8-B-110AC
		230 V AC	173 082	JMEBH-5/2-1/8-B-230AC
	Semi in-line valve for manifold PRS-ME	24 V DC	173 036	JMEBH-5/2-1/8-P-B
		110 V AC	173 054	JMEBH-5/2-1/8-P-B-110AC
		230 V AC	173 096	JMEBH-5/2-1/8-P-B-230AC
	Sub-base valve	24 V DC	173 035	JMEBH-5/2-5,0-B
		110 V AC	173 068	JMEBH-5/2-5,0-B-110AC
		230 V AC	173 110	JMEBH-5/2-5,0-B-230AC
<b>External pilot air supply</b>				
	Semi in-line valve with thread G1/8	24 V DC	173 037	JMEBH-5/2-1/8-S-B
		110 V AC	173 041	JMEBH-5/2-1/8-S-B-110AC
		230 V AC	173 083	JMEBH-5/2-1/8-S-B-230AC
	Semi in-line valve for manifold PRS-ME	24 V DC	173 039	JMEBH-5/2-1/8-P-S-B
		110 V AC	173 055	JMEBH-5/2-1/8-P-S-B-110AC
		230 V AC	173 097	JMEBH-5/2-1/8-P-S-B-230AC
	Sub-base valve	24 V DC	173 038	JMEBH-5/2-5,0-S-B
		110 V AC	173 069	JMEBH-5/2-5,0-S-B-110AC
		230 V AC	173 111	JMEBH-5/2-5,0-S-B-230AC

# Solenoid valves MEBH, midi pneumatics

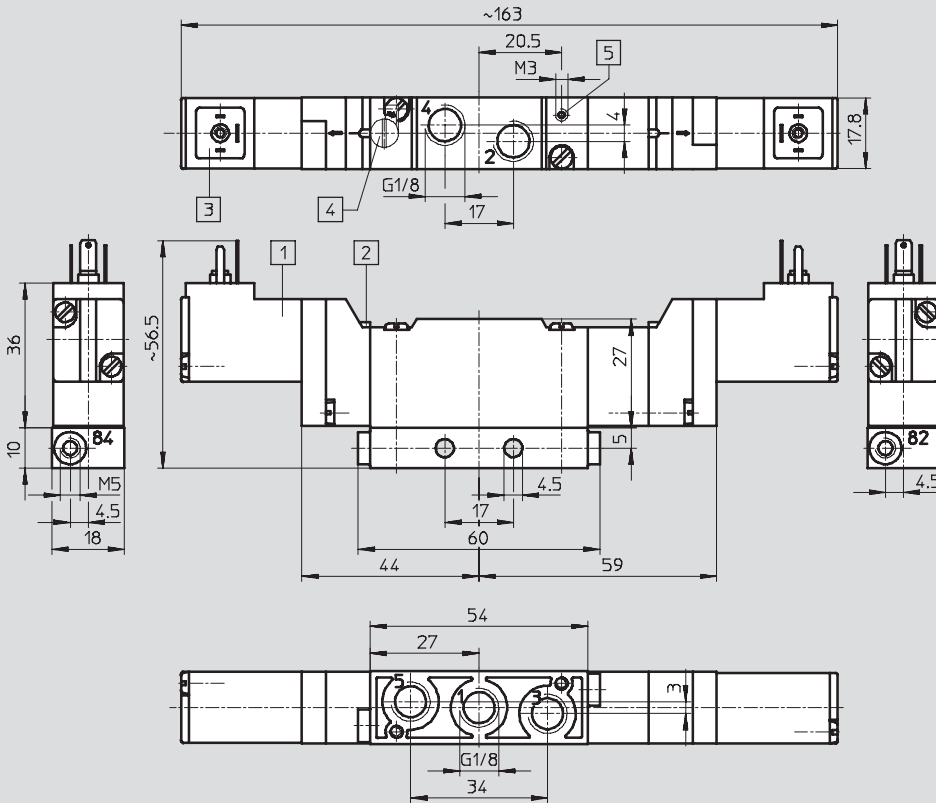
Technical data – 5/3-way valves

FESTO

## Dimensions

Download CAD data → [www.festo.com](http://www.festo.com)

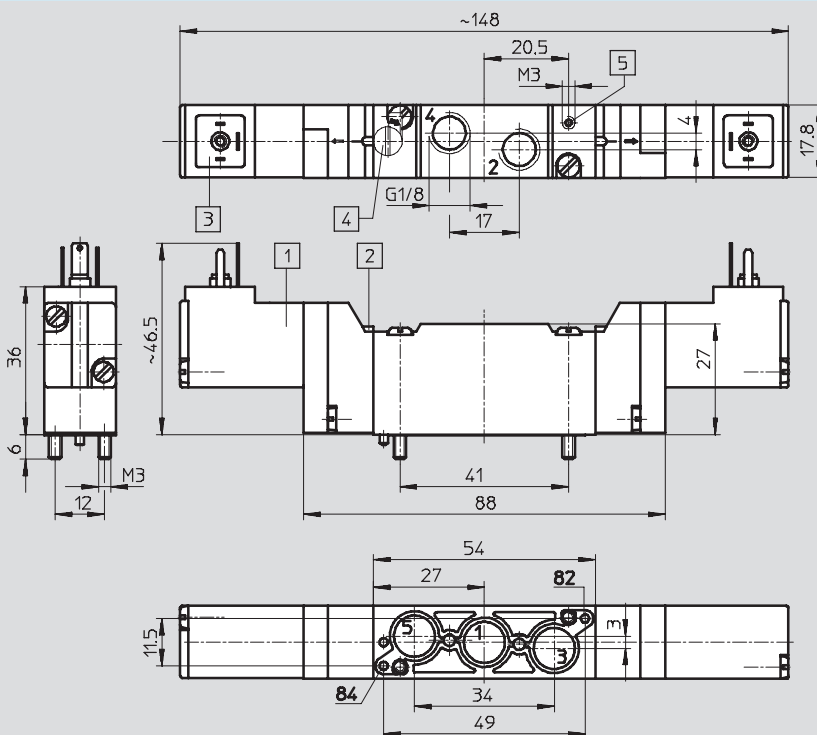
Semi in-line valve with thread G $\frac{1}{8}$



- 1) Solenoid coil can be rotated 180°<sup>1)</sup>
- 2) Manual override
- 3) Suitable for plug sockets to EN 175 301-803, form C: MSSD-EB or KMEB-...
- 4) Manual override tool (accessory) AHB-ME- $\frac{1}{8}$
- 5) Port for external pilot air on S types

1) The seal must not be turned!

Semi in-line valve for manifold PRS-ME



- 1) Solenoid coil can be rotated 180°<sup>1)</sup>
- 2) Manual override
- 3) Suitable for plug sockets to EN 175 301-803, form C: MSSD-EB or KMEB-...
- 4) Manual override tool (accessory) AHB-ME- $\frac{1}{8}$
- 5) Port for external pilot air on S types

1) The seal must not be turned!

# Solenoid valves MEBH, midi pneumatics

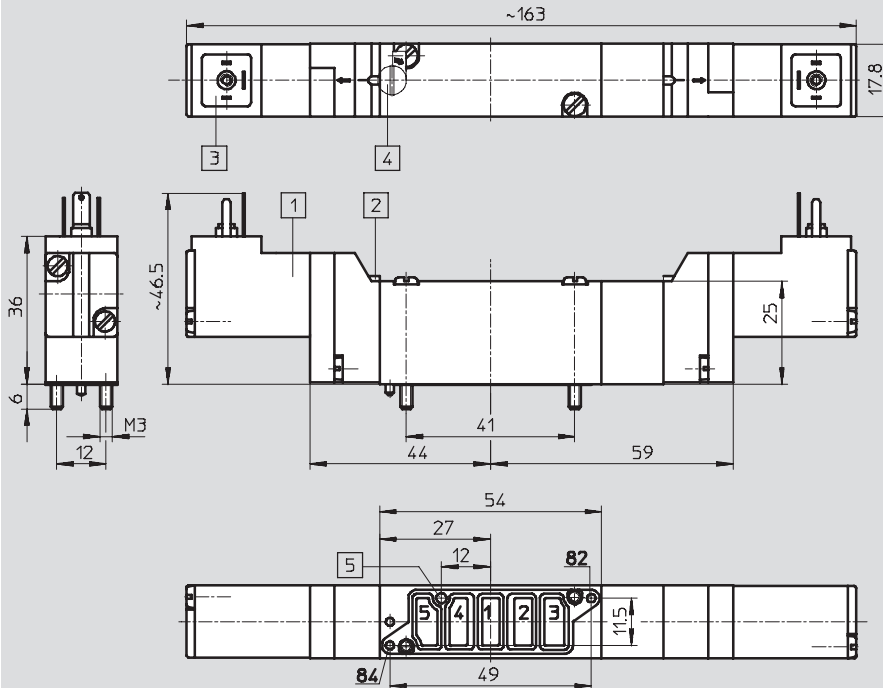
Technical data – 5/3-way valves

FESTO

## Dimensions

Download CAD data → [www.festo.com](http://www.festo.com)

Sub-base valve



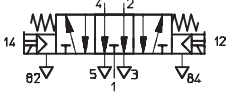

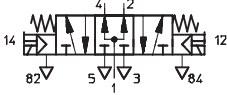

- 1) Solenoid coil can be rotated 180°<sup>1)</sup>
  - 2) Manual override
  - 3) Suitable for plug sockets to EN 175 301-803, form C: MSSD-EB or KMEB-...
  - 4) Manual override tool (accessory) AHB-ME-1/8
  - 5) Port for external pilot air on S types
- 1) The seal must not be turned!

## Ordering data

Circuit symbol	Description	Voltage	Part No.	Type
<b>Normally closed, internal pilot air supply</b>				
	Semi in-line valve with thread G1/8	24 V DC	173 016	MEBH-5/3G-1/8-B
		110 V AC	173 051	MEBH-5/3G-1/8-B-110AC
		230 V AC	173 093	MEBH-5/3G-1/8-B-230AC
	Semi in-line valve for manifold PRS-ME	24 V DC	173 018	MEBH-5/3G-1/8-P-B
		110 V AC	173 065	MEBH-5/3G-1/8-P-B-110AC
		230 V AC	173 107	MEBH-5/3G-1/8-P-B-230AC
	Sub-base valve	24 V DC	173 017	MEBH-5/3G-5,0-B
		110 V AC	173 079	MEBH-5/3G-5,0-B-110AC
		230 V AC	173 121	MEBH-5/3G-5,0-B-230AC
<b>Normally closed, external pilot air supply</b>				
	Semi in-line valve with thread G1/8	24 V DC	173 019	MEBH-5/3G-1/8-S-B
		110 V AC	173 052	MEBH-5/3G-1/8-S-B-110AC
		230 V AC	173 094	MEBH-5/3G-1/8-S-B-230AC
	Semi in-line valve for manifold PRS-ME	24 V DC	173 021	MEBH-5/3G-1/8-P-S-B
		110 V AC	173 066	MEBH-5/3G-1/8-P-S-B-110AC
		230 V AC	173 108	MEBH-5/3G-1/8-P-S-B-230AC
	Sub-base valve	24 V DC	173 020	MEBH-5/3G-5,0-S-B
		110 V AC	173 080	MEBH-5/3G-5,0-S-B-110AC
		230 V AC	173 122	MEBH-5/3G-5,0-S-B-230AC

# Solenoid valves MEBH, midi pneumatics


Technical data – 5/3-way valves

Ordering data				
Circuit symbol	Description	Voltage	Part No.	Type
<b>Normally exhausted, internal pilot air supply</b>				
	Semi in-line valve with thread G $\frac{1}{8}$	24 V DC	173 022	MEBH-5/3E- $\frac{1}{8}$ -B
		110 V AC	173 049	MEBH-5/3E- $\frac{1}{8}$ -B-110AC
		230 V AC	173 091	MEBH-5/3E- $\frac{1}{8}$ -B-230AC
	Semi in-line valve for manifold PRS-ME	24 V DC	173 024	MEBH-5/3E- $\frac{1}{8}$ -P-B
		110 V AC	173 063	MEBH-5/3E- $\frac{1}{8}$ -P-B-110AC
		230 V AC	173 105	MEBH-5/3E- $\frac{1}{8}$ -P-B-230AC
	Sub-base valve	24 V DC	173 023	MEBH-5/3E-5,0-B
		110 V AC	173 077	MEBH-5/3E-5,0-B-110AC
		230 V AC	173 119	MEBH-5/3E-5,0-B-230AC
<b>Normally exhausted, external pilot air supply</b>				
	Semi in-line valve with thread G $\frac{1}{8}$	24 V DC	173 025	MEBH-5/3E- $\frac{1}{8}$ -S-B
		110 V AC	173 050	MEBH-5/3E- $\frac{1}{8}$ -S-B-110AC
		230 V AC	173 092	MEBH-5/3E- $\frac{1}{8}$ -S-B-230AC
	Semi in-line valve for manifold PRS-ME	24 V DC	173 027	MEBH-5/3E- $\frac{1}{8}$ -P-S-B
		110 V AC	173 064	MEBH-5/3E- $\frac{1}{8}$ -P-S-B-110AC
		230 V AC	173 106	MEBH-5/3E- $\frac{1}{8}$ -P-S-B-230AC
	Sub-base valve	24 V DC	173 026	MEBH-5/3E-5,0-S-B
		110 V AC	173 078	MEBH-5/3E-5,0-S-B-110AC
		230 V AC	173 120	MEBH-5/3E-5,0-S-B-230AC
<b>Normally pressurised, internal pilot air supply</b>				
	Semi in-line valve with thread G $\frac{1}{8}$	24 V DC	173 028	MEBH-5/3B- $\frac{1}{8}$ -B
		110 V AC	173 047	MEBH-5/3B- $\frac{1}{8}$ -B-110AC
		230 V AC	173 089	MEBH-5/3B- $\frac{1}{8}$ -B-230AC
	Semi in-line valve for manifold PRS-ME	24 V DC	173 030	MEBH-5/3B- $\frac{1}{8}$ -P-B
		110 V AC	173 061	MEBH-5/3B- $\frac{1}{8}$ -P-B-110AC
		230 V AC	173 103	MEBH-5/3B- $\frac{1}{8}$ -P-B-230AC
	Sub-base valve	24 V DC	173 029	MEBH-5/3B-5,0-B
		110 V AC	173 075	MEBH-5/3B-5,0-B-110AC
		230 V AC	173 117	MEBH-5/3B-5,0-B-230AC
<b>Normally pressurised, external pilot air supply</b>				
	Semi in-line valve with thread G $\frac{1}{8}$	24 V DC	173 031	MEBH-5/3B- $\frac{1}{8}$ -S-B
		110 V AC	173 048	MEBH-5/3B- $\frac{1}{8}$ -S-B-110AC
		230 V AC	173 090	MEBH-5/3B- $\frac{1}{8}$ -S-B-230AC
	Semi in-line valve for manifold PRS-ME	24 V DC	173 033	MEBH-5/3B- $\frac{1}{8}$ -P-S-B
		110 V AC	173 062	MEBH-5/3B- $\frac{1}{8}$ -P-S-B-110AC
		230 V AC	173 104	MEBH-5/3B- $\frac{1}{8}$ -P-S-B-230AC
	Sub-base valve	24 V DC	173 032	MEBH-5/3B-5,0-S-B
		110 V AC	173 076	MEBH-5/3B-5,0-S-B-110AC
		230 V AC	173 118	MEBH-5/3B-5,0-S-B-230AC

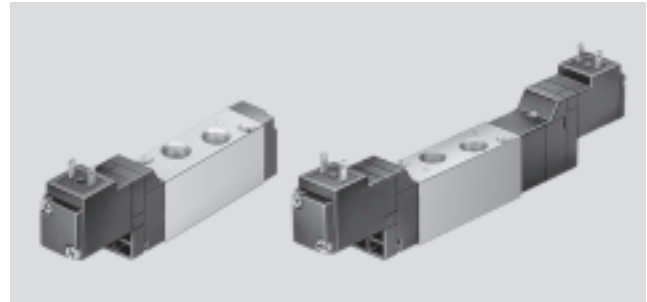
# Solenoid valves MEH, midi pneumatics

FESTO

Technical data

-  - Flow rate  
200 ... 700 l/min

-  - Voltage  
24 V DC



General technical data								
Type		MEH-3/2-... MOEH-3/2-...	MEH-5/2-...	JMEH-5/2-...	MEH-5/3...			
Design		Piston spool						
Type of mounting	...-1/8	2 through-holes						
	...-5.0	On sub-base with two M3 screws						
	...-1/8-P	On manifold with two M3 screws						
Pneumatic connection	...-1/8	G1/8						
	...-5.0	Sub-base						
	...-1/8-P	G1/8						
Nominal size	[mm]	5						
Standard nominal flow rate 1 > 2, 1 > 4	[l/min]	...-1/8	600/500	600	650	G	E	B
		...-5.0	700/600	700	700	600	300	200
		...-1/8-P	600/500	600	650	500	400	400
						650	300	200
Materials		Housing: Aluminium Seals: Nitrile rubber						
Weight	[g]	...-1/8	105	105	142	153		
		...-5.0	105	105	146	150		
		...-1/8-P	105	105	142	153		

Operating and environmental conditions							
Type		MEH-3/2-... MOEH-3/2-...	MEH-5/2-...	JMEH-5/2-...	MEH-5/3...		
Operating medium		Filtered compressed air, lubricated or unlubricated <sup>1)</sup> Vacuum					
Operating pressure range	Internal pilot air supply	[bar]	2 ... 8	2.5 ... 8	1.5 ... 8	3 ... 8	
	External pilot air supply	[bar]	-	-0.9 ... +10			
Pilot pressure range		[bar]	-	2.5 ... 8	1.5 ... 8	3 ... 8	
Ambient temperature		[°C]	-5 ... +50				
Temperature of medium		[°C]	-5 ... +50				

1) Only oils of viscosity class 32 may be used for lubricated operation.

# Solenoid valves MEH, midi pneumatics

Technical data

Valve response times [ms]							
Type	MEH-3/2-... MOEH-3/2-...		MEH-5/2-...		JMEH-5/2-...	MEH-5/3...	
Type of reset	mechanical	pneumatic	mechanical	pneumatic	–	mechanical	pneumatic
On	10	–	10	15	–	12	–
Off	28	–	28	18	–	25	–
Changeover	–	–	–	–	10	–	–

Electrical data	
E solenoid coil	
Electrical connection	Plug, square
Operating voltage	[V DC] 24
Coil characteristics	[W] 1.5
Protection class to EN 60 529	IP65 (in combination with plug socket)

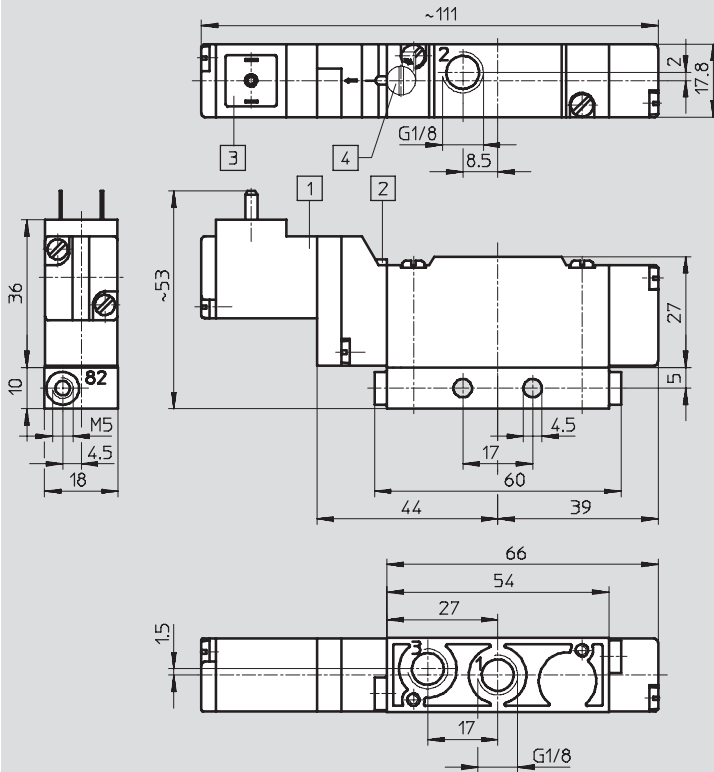
# Solenoid valves MEH, midi pneumatics

Technical data – 3/2-way valves

## Dimensions

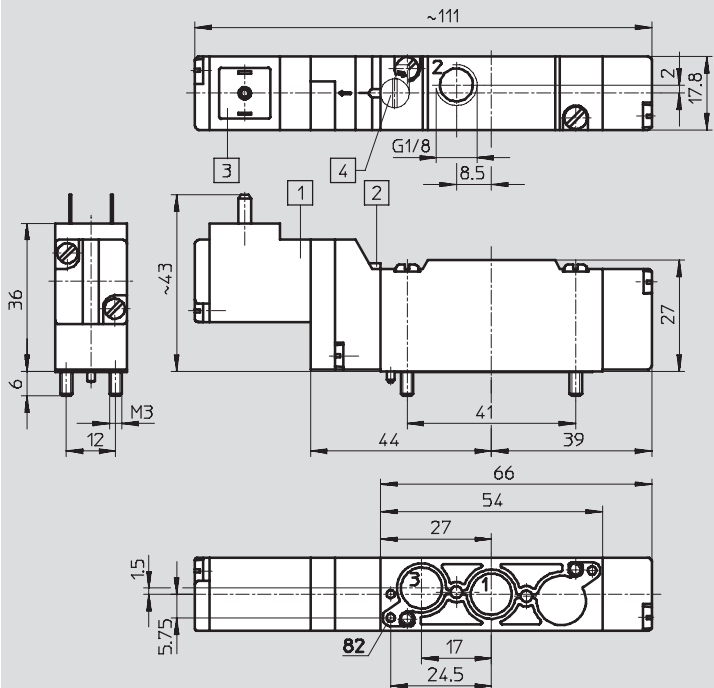
Download CAD data → [www.festo.com](http://www.festo.com)

Semi in-line valve with thread G1/8



- 1 Solenoid coil can be rotated 180°<sup>1)</sup>
  - 2 Manual override
  - 3 Suitable for terminal sockets to DIN 46 247 or plug sockets MSSD-E type KME type
  - 4 Manual override tool (accessory) AHB-ME-1/8
- 1) The seal must not be turned!

Semi in-line valve for manifold PRS-ME



- 1 Solenoid coil can be rotated 180°<sup>1)</sup>
  - 2 Manual override
  - 3 Suitable for terminal sockets to DIN 46 247 or plug sockets MSSD-E type KME type
  - 4 Manual override tool (accessory) AHB-ME-1/8
- 1) The seal must not be turned!

# Solenoid valves MEH, midi pneumatics

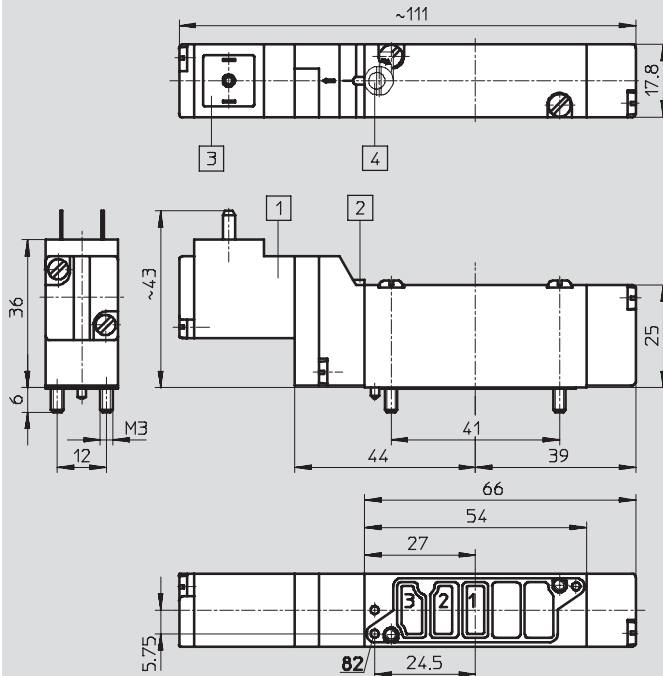
Technical data – 3/2-way valves

FESTO

## Dimensions

Download CAD data → [www.festo.com](http://www.festo.com)

Sub-base valve



- 1 Solenoid coil can be rotated 180°<sup>1)</sup>
  - 2 Manual override
  - 3 Suitable for terminal sockets to DIN 46 247 or plug sockets MSSD-E type KME type
  - 4 Manual override tool (accessory) AHB-ME-1/8
- 1) The seal must not be turned!

## Ordering data

Circuit symbol	Description	Voltage	Part No.	Type
<b>Normally closed</b>				
	Semi in-line valve with thread G1/8	24 V DC	173 124	MEH-3/2-1/8-B
	Semi in-line valve for manifold PRS-ME		173 126	MEH-3/2-1/8-P-B
	Sub-base valve		173 125	MEH-3/2-5,0-B
<b>Normally open</b>				
	Semi in-line valve with thread G1/8	24 V DC	173 428	MOEH-3/2-1/8-B
	Semi in-line valve for manifold PRS-ME		173 430	MOEH-3/2-1/8-P-B
	Sub-base valve		173 429	MOEH-3/2-5,0-B



# Solenoid valves MEH, midi pneumatics

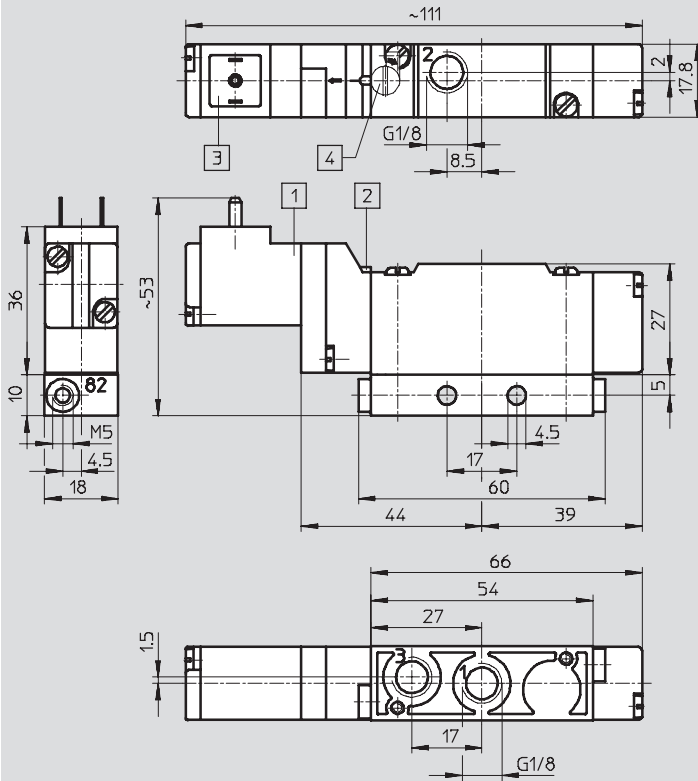
Technical data – 5/2-way valves

FESTO

## Dimensions

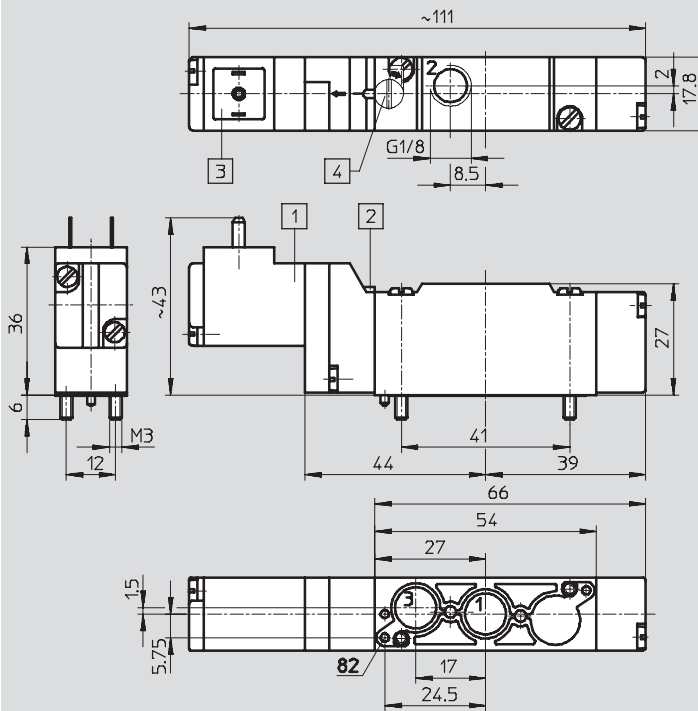
Download CAD data → [www.festo.com](http://www.festo.com)

Semi in-line valve with thread G1/8



- 1) Solenoid coil can be rotated 180°<sup>1)</sup>
  - 2) Manual override
  - 3) Suitable for terminal sockets to DIN 46 247 or plug sockets MSSD-E type KME type
  - 4) Manual override tool (accessory) AHB-ME-1/8
  - 5) Port for external pilot air on S types
- 1) The seal must not be turned!

Semi in-line valve for manifold PRS-ME



- 1) Solenoid coil can be rotated 180°<sup>1)</sup>
  - 2) Manual override
  - 3) Suitable for terminal sockets to DIN 46 247 or plug sockets MSSD-E type KME type
  - 4) Manual override tool (accessory) AHB-ME-1/8
  - 5) Port for external pilot air on S types
- 1) The seal must not be turned!

# Solenoid valves MEH, midi pneumatics

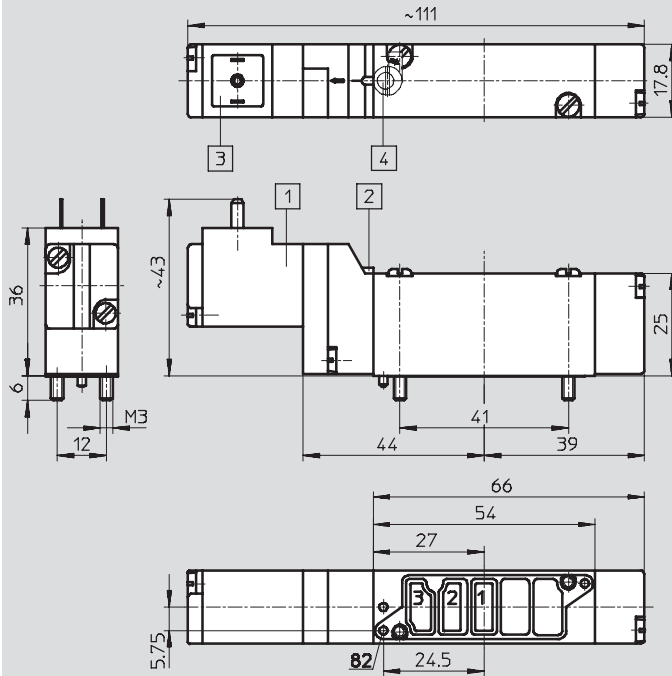
Technical data – 5/2-way valves

FESTO

## Dimensions

Download CAD data → [www.festo.com](http://www.festo.com)

Sub-base valve



- 1 Solenoid coil can be rotated 180°<sup>1)</sup>
  - 2 Manual override
  - 3 Suitable for terminal sockets to DIN 46 247 or plug sockets MSSD-E type KME type
  - 4 Manual override tool (accessory) AHB-ME-1/8
  - 5 Port for external pilot air on S types
- 1) The seal must not be turned!

# Solenoid valves MEH, midi pneumatics

Technical data – 5/2-way valves

Ordering data				
Circuit symbol	Description	Voltage	Part No.	Type
<b>Mechanical spring return, internal pilot air supply</b>				
	Semi in-line valve with thread G1/8	24 V DC	173 127	MEH-5/2-1/8-B
	Semi in-line valve for manifold PRS-ME		173 129	MEH-5/2-1/8-P-B
	Sub-base valve		173 128	MEH-5/2-5,0-B
<b>Mechanical spring return, external pilot air supply</b>				
	Semi in-line valve with thread G1/8	24 V DC	173 130	MEH-5/2-1/8-S-B
	Semi in-line valve for manifold PRS-ME		173 132	MEH-5/2-1/8-P-S-B
	Sub-base valve		173 131	MEH-5/2-5,0-S-B
<b>Pneumatic spring return, internal pilot air supply</b>				
	Semi in-line valve with thread G1/8	24 V DC	173 133	MEH-5/2-1/8-L-B
	Semi in-line valve for manifold PRS-ME		173 135	MEH-5/2-1/8-P-L-B
	Sub-base valve		173 134	MEH-5/2-5,0-L-B
<b>Pneumatic spring return, external pilot air supply</b>				
	Semi in-line valve with thread G1/8	24 V DC	173 136	MEH-5/2-1/8-L-S-B
	Semi in-line valve for manifold PRS-ME		173 138	MEH-5/2-1/8-P-L-S-B
	Sub-base valve		173 137	MEH-5/2-5,0-L-S-B

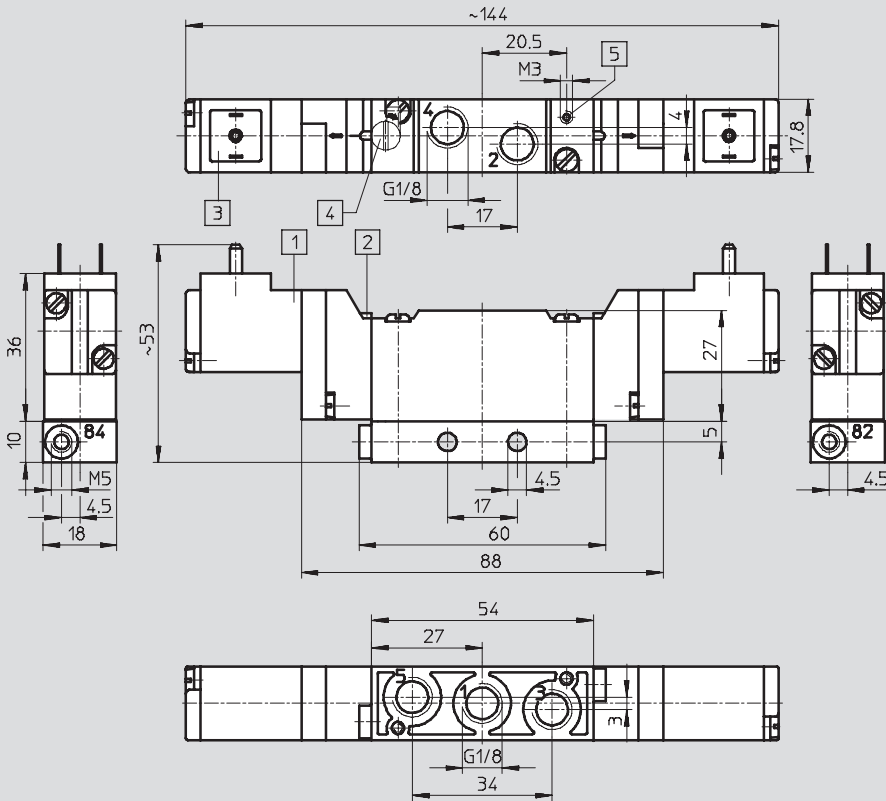
# Solenoid valves MEH, midi pneumatics

Technical data – 5/2-way valves, double solenoid

## Dimensions

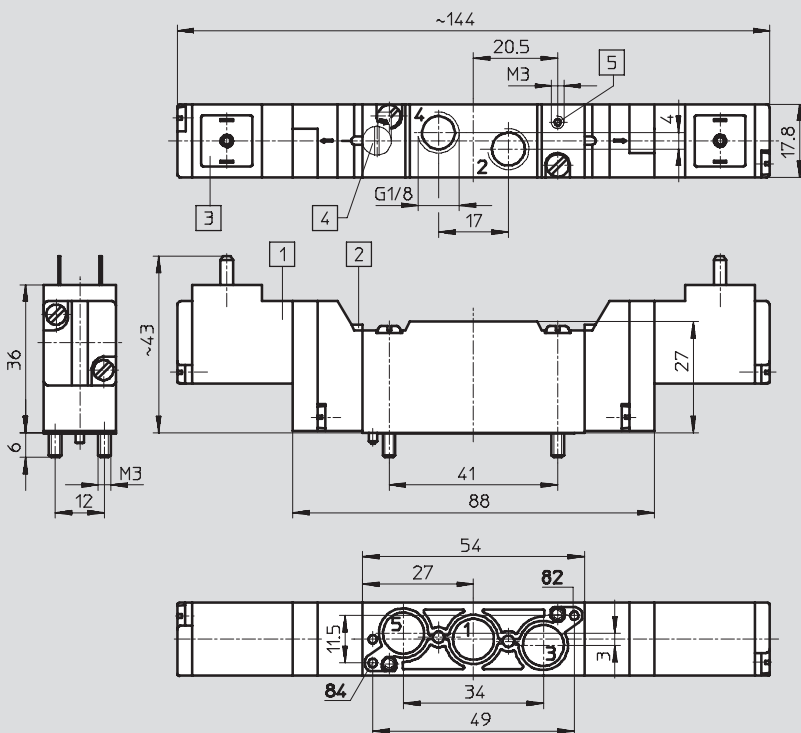
Download CAD data → [www.festo.com](http://www.festo.com)

Semi in-line valve with thread G $\frac{1}{8}$



- 1) Solenoid coil can be rotated 180°<sup>1)</sup>
  - 2) Manual override
  - 3) Suitable for terminal sockets to DIN 46 247 or plug sockets MSSD-E type KME type
  - 4) Manual override tool (accessory) AHB-ME- $\frac{1}{8}$
  - 5) Port for external pilot air on S types
- 1) The seal must not be turned!

Semi in-line valve for manifold PRS-ME



- 1) Solenoid coil can be rotated 180°<sup>1)</sup>
  - 2) Manual override
  - 3) Suitable for terminal sockets to DIN 46 247 or plug sockets MSSD-E type KME type
  - 4) Manual override tool (accessory) AHB-ME- $\frac{1}{8}$
  - 5) Port for external pilot air on S types
- 1) The seal must not be turned!

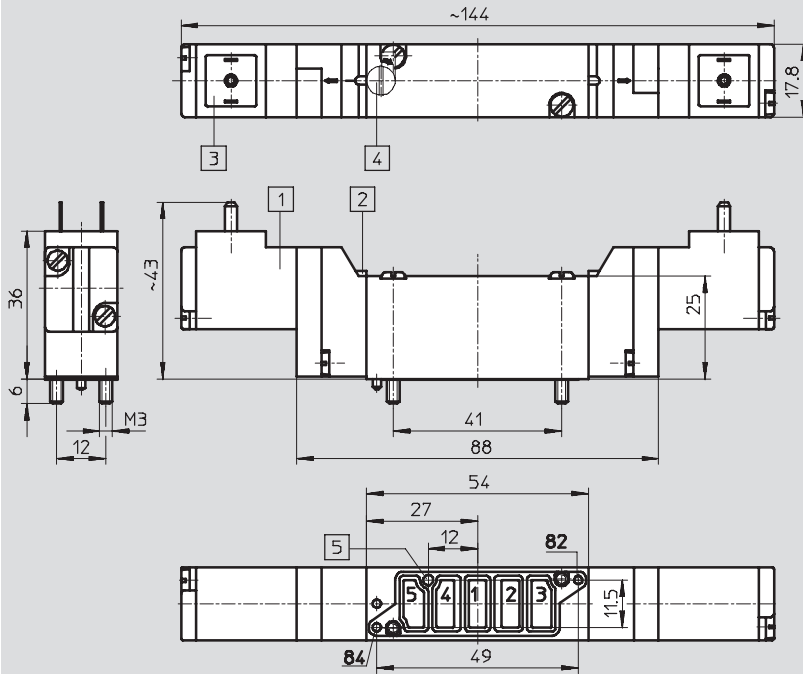
# Solenoid valves MEH, midi pneumatics

Technical data – 5/2-way valves, double solenoid

## Dimensions

Download CAD data → [www.festo.com](http://www.festo.com)

### Sub-base valve



- 1 Solenoid coil can be rotated 180°<sup>1)</sup>
  - 2 Manual override
  - 3 Suitable for terminal sockets to DIN 46 247 or plug sockets MSSD-E type KME type
  - 4 Manual override tool (accessory) AHB-ME-1/8
  - 5 Port for external pilot air on S types
- 1) The seal must not be turned!

## Ordering data

Circuit symbol	Description	Voltage	Part No.	Type
<b>5/2-way valves</b>				
<b>Internal pilot air supply</b>				
	Semi in-line valve with thread G1/8	24 V DC	173 431	JMEH-5/2-1/8-B
	Semi in-line valve for manifold PRS-ME		173 433	JMEH-5/2-1/8-P-B
	Sub-base valve		173 432	JMEH-5/2-5,0-B
<b>External pilot air supply</b>				
	Semi in-line valve with thread G1/8	24 V DC	173 434	JMEH-5/2-1/8-S-B
	Semi in-line valve for manifold PRS-ME		173 436	JMEH-5/2-1/8-P-S-B
	Sub-base valve		173 435	JMEH-5/2-5,0-S-B

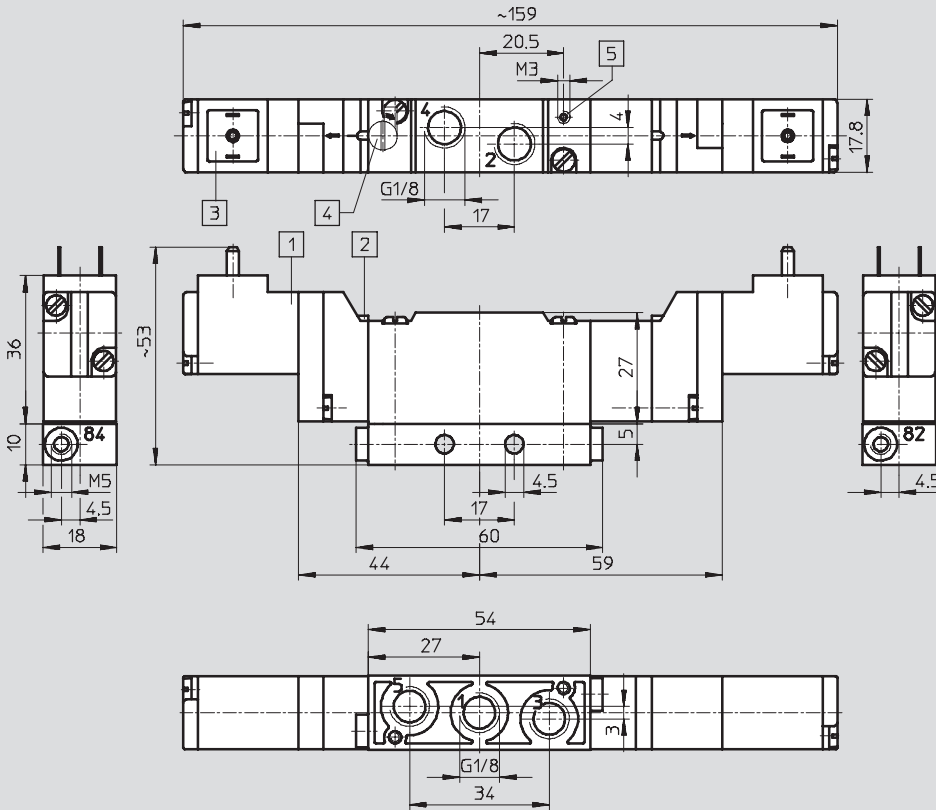
# Solenoid valves MEH, midi pneumatics

Technical data – 5/3-way valves

## Dimensions

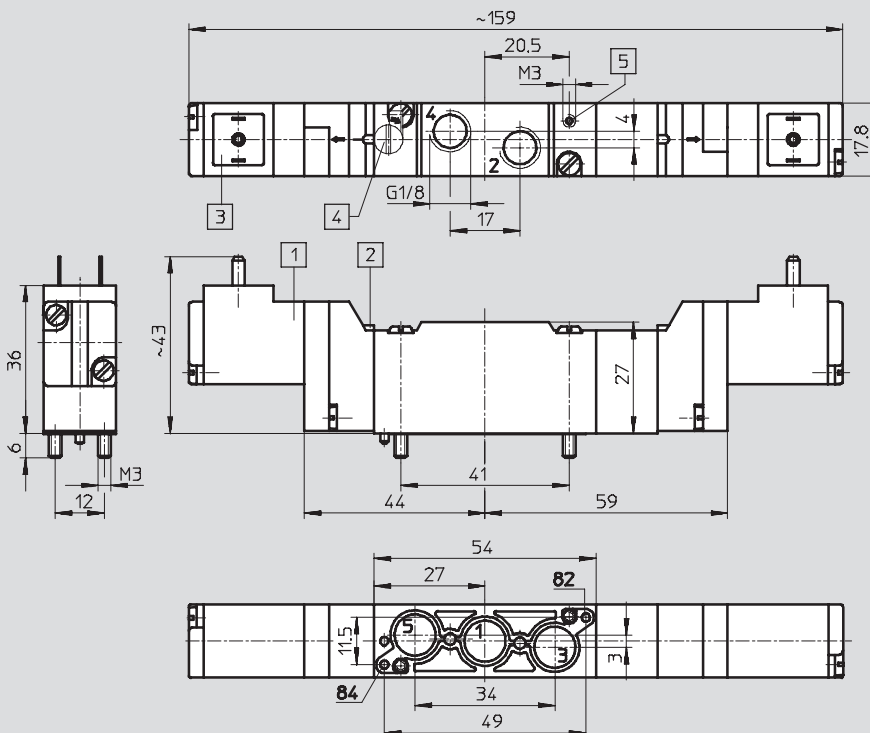
Download CAD data → [www.festo.com](http://www.festo.com)

Semi in-line valve with thread G $\frac{1}{8}$



- 1) Solenoid coil can be rotated 180°<sup>1)</sup>
  - 2) Manual override
  - 3) Suitable for terminal sockets to DIN 46 247 or plug sockets MSSD-E type KME type
  - 4) Manual override tool (accessory) AHB-ME- $\frac{1}{8}$
  - 5) Port for external pilot air on S types
- 1) The seal must not be turned!

Semi in-line valve for manifold PRS-ME



- 1) Solenoid coil can be rotated 180°<sup>1)</sup>
  - 2) Manual override
  - 3) Suitable for terminal sockets to DIN 46 247 or plug sockets MSSD-E type KME type
  - 4) Manual override tool (accessory) AHB-ME- $\frac{1}{8}$
  - 5) Port for external pilot air on S types
- 1) The seal must not be turned!

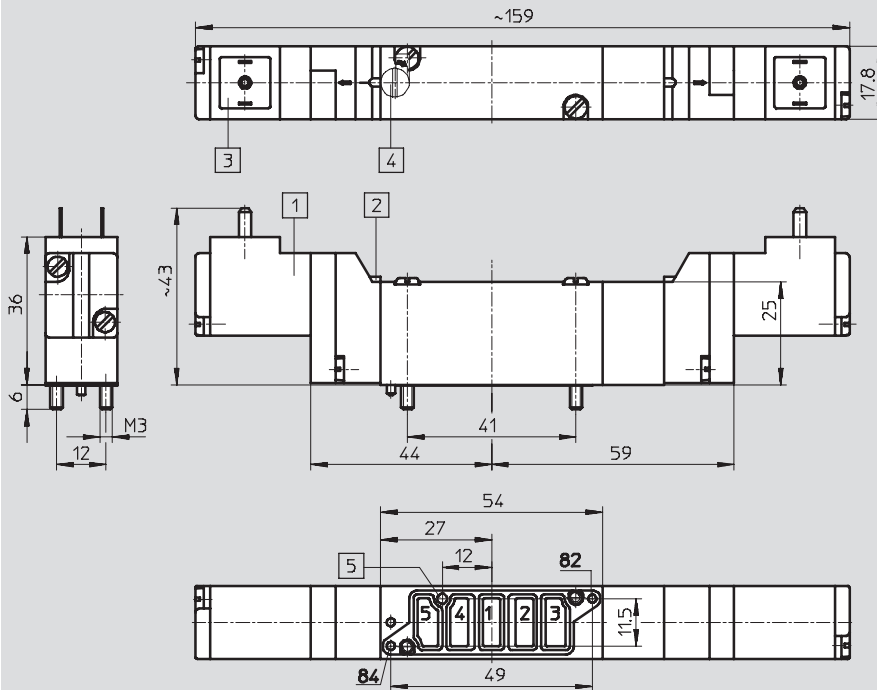
# Solenoid valves MEH, midi pneumatics

Technical data – 5/3-way valves

## Dimensions

Download CAD data → [www.festo.com](http://www.festo.com)

Sub-base valve



- 1) Solenoid coil can be rotated 180°<sup>1)</sup>
  - 2) Manual override
  - 3) Suitable for terminal sockets to DIN 46 247 or plug sockets MSSD-E type KME type
  - 4) Manual override tool (accessory) AHB-ME-1/8
  - 5) Port for external pilot air on S types
- 1) The seal must not be turned!

# Solenoid valves MEH, midi pneumatics

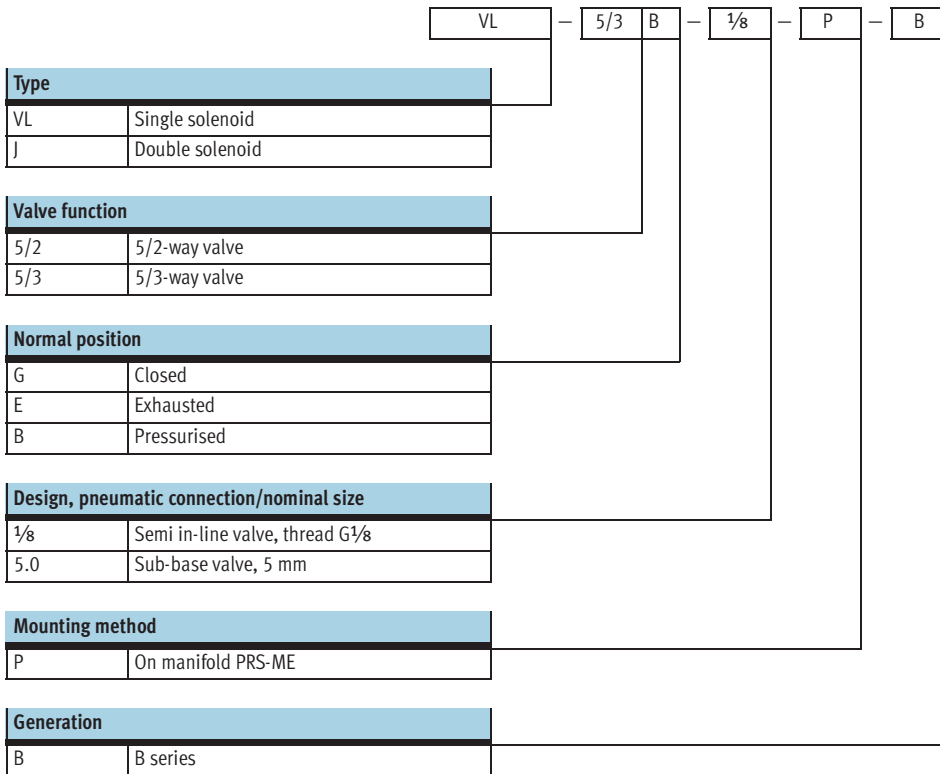
Technical data – 5/3-way valves

Ordering data				
Circuit symbol	Description	Voltage	Part No.	Type
<b>Normally closed, internal pilot air supply</b>				
	Semi in-line valve with thread G $\frac{1}{8}$	24 V DC	173 139	MEH-5/3G- $\frac{1}{8}$ -B
	Semi in-line valve for manifold PRS-ME		173 141	MEH-5/3G- $\frac{1}{8}$ -P-B
	Sub-base valve		173 140	MEH-5/3G-5,0-B
<b>Normally closed, external pilot air supply</b>				
	Semi in-line valve with thread G $\frac{1}{8}$	24 V DC	173 142	MEH-5/3G- $\frac{1}{8}$ -S-B
	Semi in-line valve for manifold PRS-ME		173 144	MEH-5/3G- $\frac{1}{8}$ -P-S-B
	Sub-base valve		173 143	MEH-5/3G-5,0-S-B
<b>Normally exhausted, internal pilot air supply</b>				
	Semi in-line valve with thread G $\frac{1}{8}$	24 V DC	173 145	MEH-5/3E- $\frac{1}{8}$ -B
	Semi in-line valve for manifold PRS-ME		173 147	MEH-5/3E- $\frac{1}{8}$ -P-B
	Sub-base valve		173 146	MEH-5/3E-5,0-B
<b>Normally exhausted, external pilot air supply</b>				
	Semi in-line valve with thread G $\frac{1}{8}$	24 V DC	173 148	MEH-5/3E- $\frac{1}{8}$ -S-B
	Semi in-line valve for manifold PRS-ME		173 150	MEH-5/3E- $\frac{1}{8}$ -P-S-B
	Sub-base valve		173 149	MEH-5/3E-5,0-S-B
<b>Normally pressurised, internal pilot air supply</b>				
	Semi in-line valve with thread G $\frac{1}{8}$	24 V DC	173 151	MEH-5/3B- $\frac{1}{8}$ -B
	Semi in-line valve for manifold PRS-ME		173 153	MEH-5/3B- $\frac{1}{8}$ -P-B
	Sub-base valve		173 152	MEH-5/3B-5,0-B
<b>Normally pressurised, external pilot air supply</b>				
	Semi in-line valve with thread G $\frac{1}{8}$	24 V DC	173 154	MEH-5/3B- $\frac{1}{8}$ -S-B
	Semi in-line valve for manifold PRS-ME		173 156	MEH-5/3B- $\frac{1}{8}$ -P-S-B
	Sub-base valve		173 155	MEH-5/3B-5,0-S-B



# Pneumatic valves VL/J, midi pneumatics


Type codes

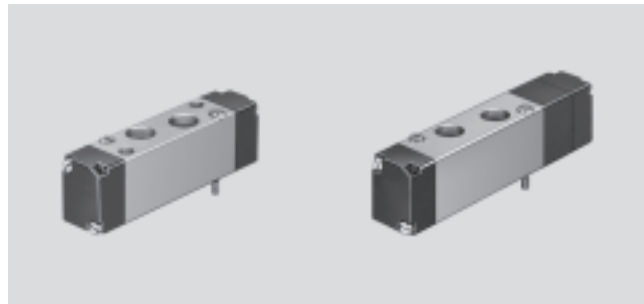


# Pneumatic valves VL/J, midi pneumatics

Technical data

FESTO

-  - Flow rate  
300 ... 700 l/min



General technical data						
Type		VL-5/2-...	J-5/2-...	VL-5/3...		
Design		Piston spool, directly actuated				
Type of mounting	...-1/8	2 through-holes				
	...-5.0	On sub-base with two M3 screws				
	...-1/8-P	On manifold with two M3 screws				
Pneumatic connection	Working lines	...-1/8	G1/8			
		...-5.0	On sub-base			
	Pilot line	...-1/8-P	G1/8			
			M5			
Nominal size	[mm]	5				
Standard nominal flow rate	1 → 2, 1 → 4	[l/min]	...	...	...	G
						E
						B
	...-1/8	600	650	500	350	300
	...-5.0	700	700	600	350	300
	...-1/8-P	600	650	500	350	300
Materials		Housing: Aluminium Seals: Nitrile rubber				
Weight	[g]	...-1/8	75	75	95	
		...-5.0	65	65	85	
		...-1/8-P	60	60	80	

Operating and environmental conditions				
Type		VL-5/2-...	J-5/2-...	VL-5/3...
Operating medium		Filtered compressed air, lubricated or unlubricated <sup>1)</sup> Vacuum		
Operating pressure range	[bar]	-0.9 ... +10		
Pilot pressure range	[bar]	2.5 ... 8	1.5 ... 8	3 ... 8
Ambient temperature	[°C]	-5 ... +50		
Temperature of medium	[°C]	-5 ... +50		

1) Only oils of viscosity class 32 may be used for lubricated operation.

Valve response times [ms]			
Type	VL-5/2-...	J-5/2-...	VL-5/3-...
On	6	-	6
Off	24	-	22
Changeover	-	5	-

# Pneumatic valves VL/J, midi pneumatics

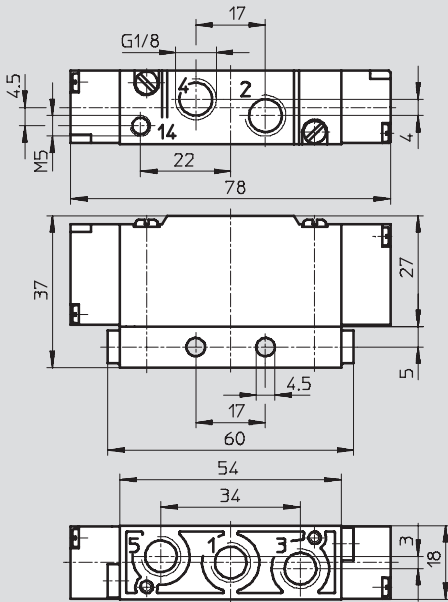
Technical data – 5/2-way valves



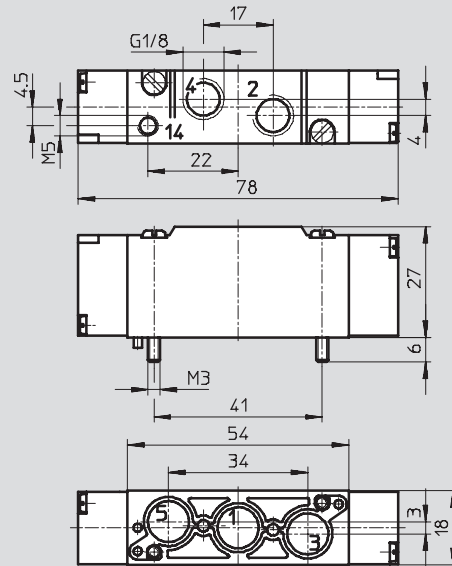
## Dimensions

Download CAD data → [www.festo.com/en/engineering](http://www.festo.com/en/engineering)

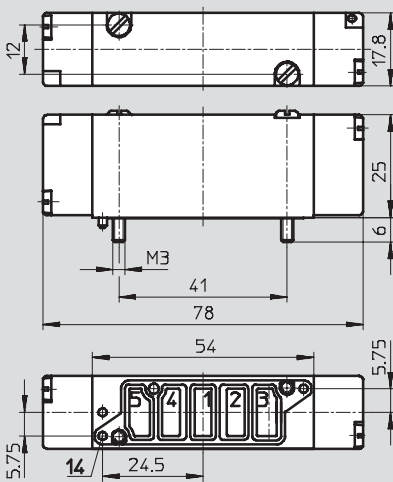
Semi in-line valve with thread G1/8



Semi in-line valve for manifold PRS-ME



Sub-base valve



## Ordering data

Circuit symbol	Description	Part No.	Type
	Semi in-line valve with thread G1/8	173 168	VL-5/2-1/8-B
	Sub-base valve	173 169	VL-5/2-5,0-B
	Semi in-line valve for manifold PRS-ME	173 170	VL-5/2-1/8-P-B

Directional control valves for standard applications  
Midi Pneumatic

2.4

# Pneumatic valves VL/J, midi pneumatics

Technical data – 5/2-way valves, double pilot

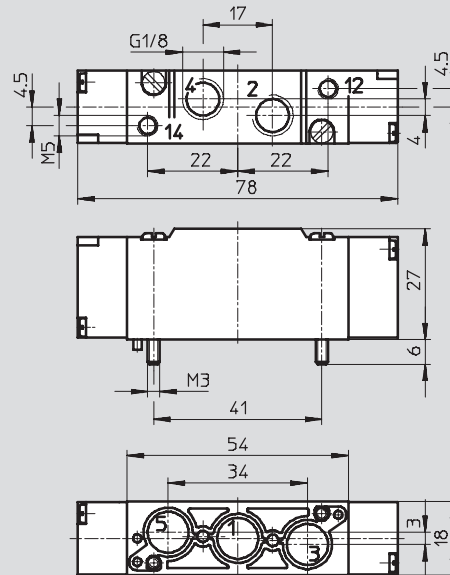
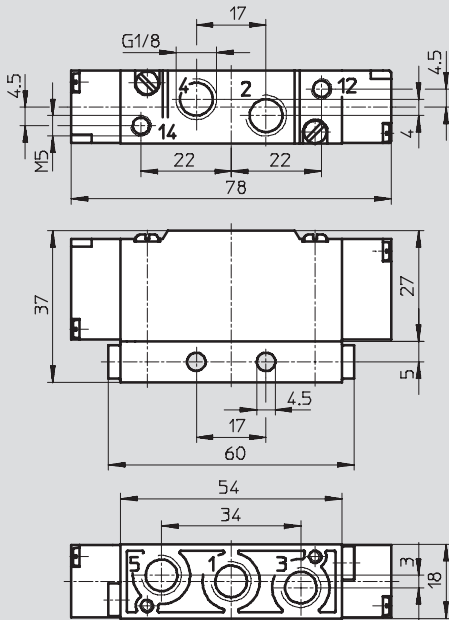


## Dimensions

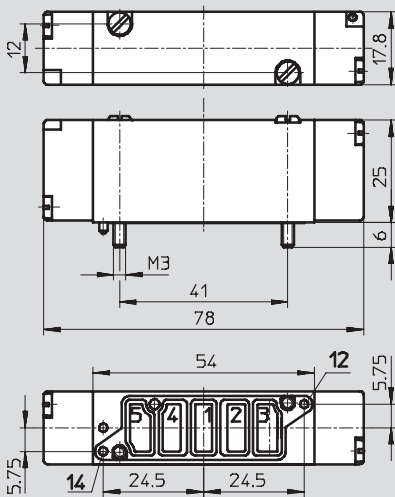
Download CAD data → [www.festo.com/en/engineering](http://www.festo.com/en/engineering)

Semi in-line valve with thread G1/8

Semi in-line valve for manifold PRS-ME



## Sub-base valve



## Ordering data

Circuit symbol	Description	Part No.	Type
	Semi in-line valve with thread G1/8	173 171	J-5/2-1/8-B
	Sub-base valve	173 172	J-5/2-5,0-B
	Semi in-line valve for manifold PRS-ME	173 173	J-5/2-1/8-P-B

# Pneumatic valves VL/J, midi pneumatics

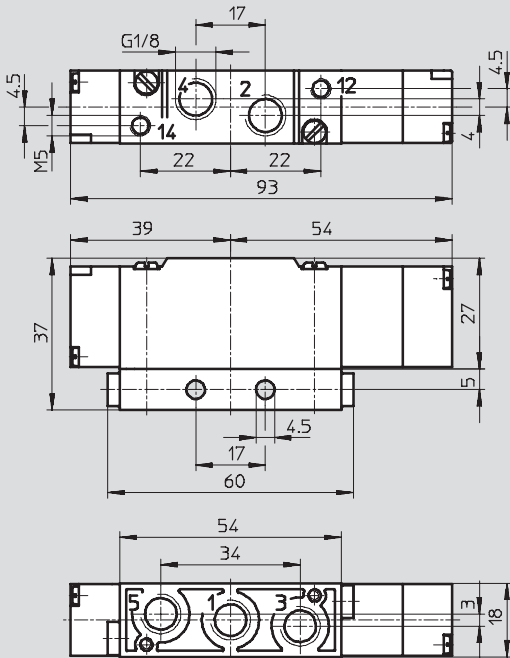
Technical data – 5/3-way valves



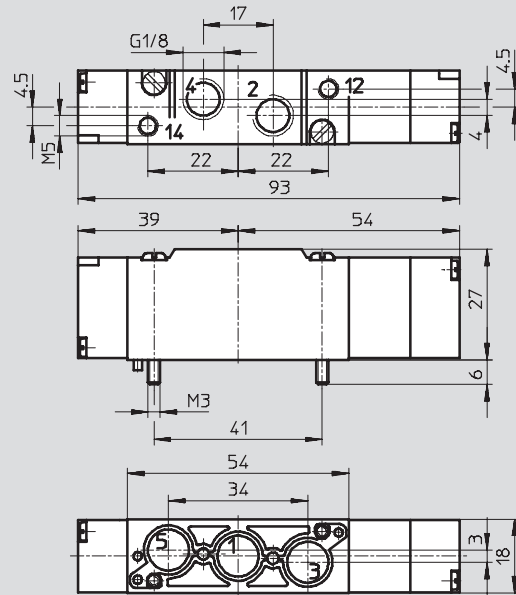
## Dimensions

Download CAD data → [www.festo.com/en/engineering](http://www.festo.com/en/engineering)

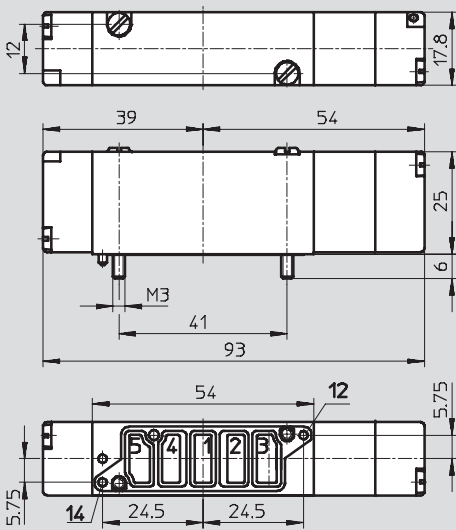
Semi in-line valve with thread G1/8



Semi in-line valve for manifold PRS-ME



Sub-base valve



Directional control valves for standard applications  
Midi Pneumatic

2.4

# Pneumatic valves VL/J, midi pneumatics

Technical data – 5/3-way valves



Ordering data			
Circuit symbol	Description	Part No.	Type
<b>Normally closed</b>			
	Semi in-line valve with thread G $\frac{1}{8}$	<b>173 174</b>	<b>VL-5/3G-<math>\frac{1}{8}</math>-B</b>
	Sub-base valve	<b>173 175</b>	<b>VL-5/3G-5,0-B</b>
	Semi in-line valve for manifold PRS-ME	<b>173 176</b>	<b>VL-5/3G-<math>\frac{1}{8}</math>-P-B</b>
<b>Normally exhausted</b>			
	Semi in-line valve with thread G $\frac{1}{8}$	<b>173 177</b>	<b>VL-5/3E-<math>\frac{1}{8}</math>-B</b>
	Sub-base valve	<b>173 178</b>	<b>VL-5/3E-5,0-B</b>
	Semi in-line valve for manifold PRS-ME	<b>173 179</b>	<b>VL-5/3E-<math>\frac{1}{8}</math>-P-B</b>
<b>Normally pressurised</b>			
	Semi in-line valve with thread G $\frac{1}{8}$	<b>173 180</b>	<b>VL-5/3B-<math>\frac{1}{8}</math>-B</b>
	Sub-base valve	<b>173 181</b>	<b>VL-5/3B-5,0-B</b>
	Semi in-line valve for manifold PRS-ME	<b>173 182</b>	<b>VL-5/3B-<math>\frac{1}{8}</math>-P-B</b>

# Solenoid/pneumatic valves, midi pneumatics

Accessories

FESTO

Individual sub-bases  
AS, AU

Material:  
Die-cast aluminium

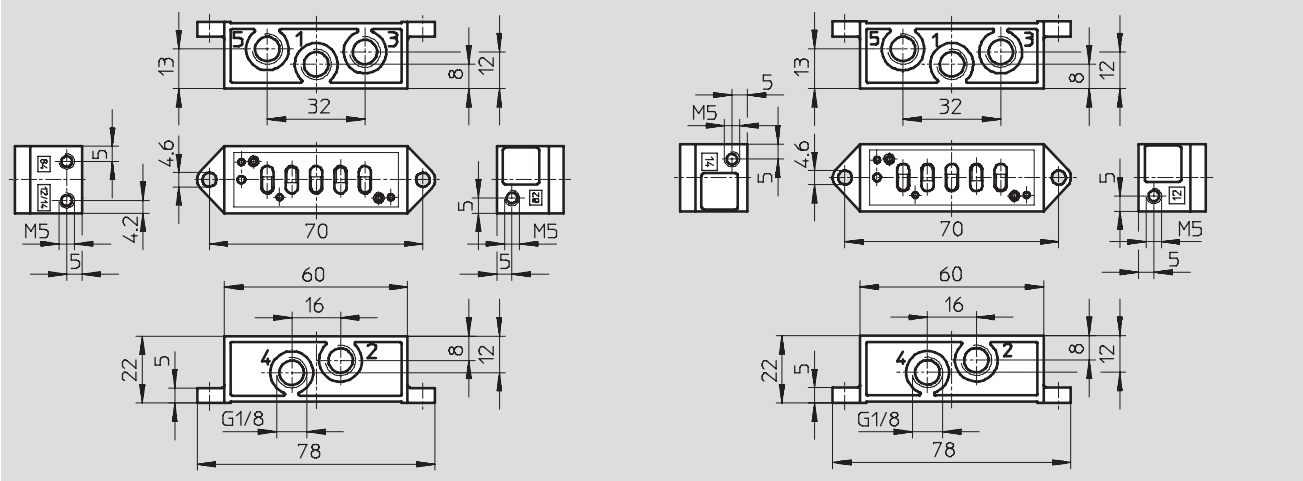


## Dimensions – Individual sub-bases

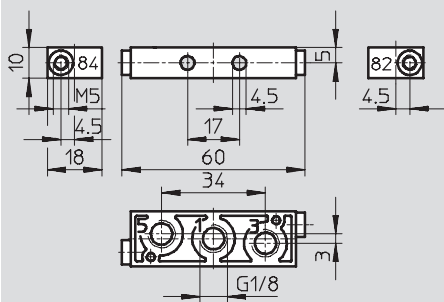
Download CAD data → [www.festo.com](http://www.festo.com)

AS-ME-1/8

AS-VL-1/8



AU-ME-1/8



## Ordering data

Brief description		Pneumatic connection		Weight [g]	Part No.	Type
		1, 2, 3, 4, 5	82, 84			
For solenoid valves	Connection at side	G1/8	M5	50	33 405	AS-ME-1/8
For pneumatic valves				50	152 803	AS-VL-1/8
For valves type ...-1/8-P	Connection underneath			15	32 797	AU-ME-1/8

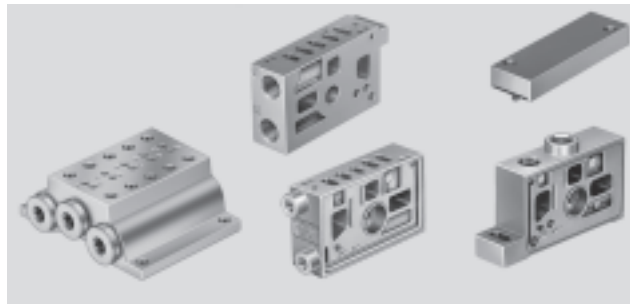
# Solenoid/pneumatic valves, midi pneumatics

Accessories

FESTO

Series sub-bases  
AW, EP, ZP

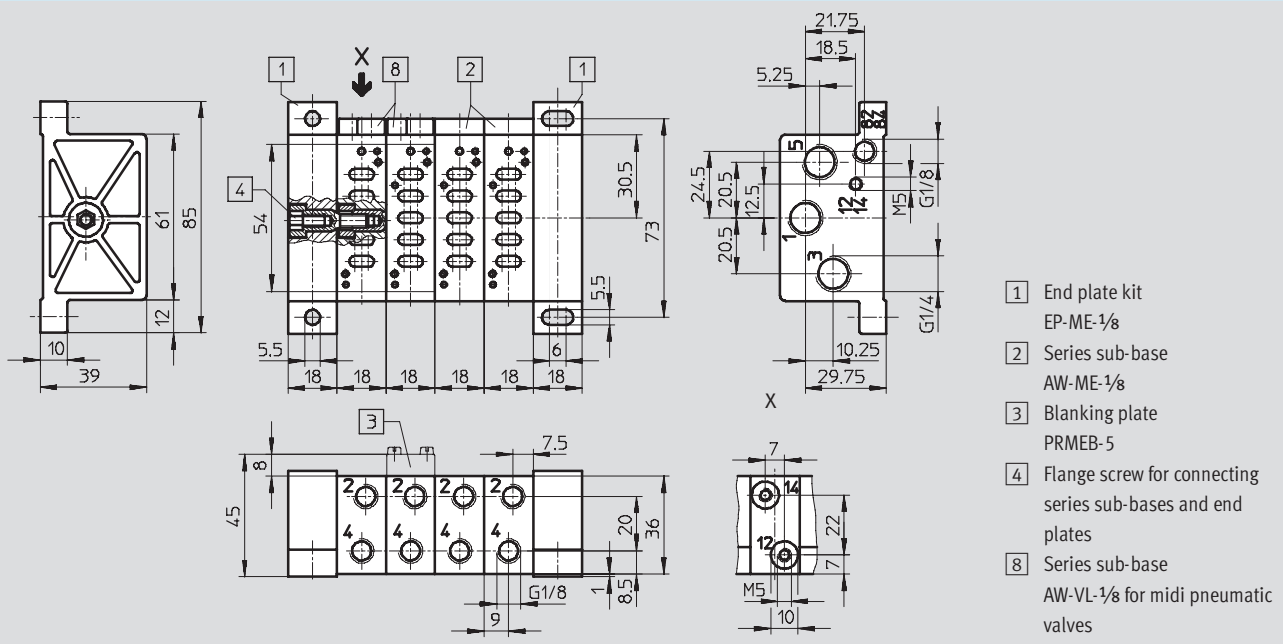
Material:  
Die-cast aluminium



## Dimensions

Download CAD data → [www.festo.com](http://www.festo.com)

Manifold mounting



## Ordering data

Designation	Brief description	Scope of delivery	Weight [g]	Part No.	Type
Series sub-base	For solenoid valves	1 sub-base, seals and fastening screws	75	33 406	AW-ME-1/8
	For pneumatic valves			152 801	AW-VL-1/8
Blanking plate for spare positions	-	-	-	31 798	PRMEB-5
End plate kit	-	2 end plates, seals and fastening screws	160	33 407	EP-ME-1/8
Intermediate plate	With additional P connection	-	95	152 592	ZP-ME-1/8-P
	With separate P connection to form pressure zones			152 591	ZP-ME-1/8-Z



# Solenoid/pneumatic valves, midi pneumatics

Accessories

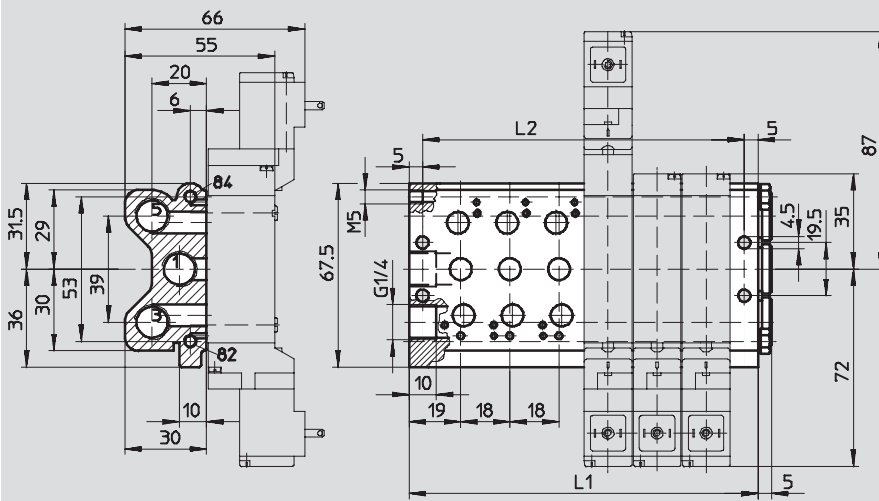
## Manifold PRS-ME

Material:  
Die-cast aluminium



### Dimensions

Download CAD data → [www.festo.com](http://www.festo.com)



Number of valve positions	L1	L2
2	56	46
3	74	64
4	92	82

Number of valve positions	L1	L2
5	110	100
6	128	118
7	146	136

Number of valve positions	L1	L2
8	164	154
9	182	172
10	200	190

### Ordering data – Manifold block

Pneumatic connection			Number of valve positions	Weight [g]	Part No.	Type
1, 3, 5	2, 4	82, 84				
G1/4	G1/8 on valve	M5	2	200	33 408	PRS-ME-1/8-2
			4	300	33 409	PRS-ME-1/8-4
			6	430	33 410	PRS-ME-1/8-6
			8	540	33 411	PRS-ME-1/8-8
			10	680	33 412	PRS-ME-1/8-10

### Ordering data – Blanking plate

Brief description	Part No.	Type
Blanking plate for spare positions	31 799	PRSB-ME-1/8

- - Note



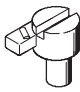
For combined assembly of series sub-bases AW-ME-1/8 and AW-VL-1/8, the following assembly sequence must be observed:

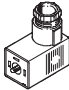

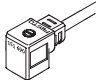
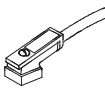

1. End plate with air supply
2. Series sub-bases for solenoid valves
3. Series sub-bases for pneumatic valves
4. End plate with flange screw

# Solenoid/pneumatic valves, midi pneumatics

Accessories

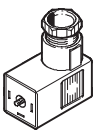
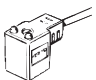

**FESTO**

Ordering data		Part No.	Type
Brief description			
Push-in/threaded fittings QS			
	-		→ Internet: quick star
Silencers			
	-		→ u
Manual override tool, detenting		Technical data → Internet: ahh	
	For midi valves MEH, MOEH, JMEH	<b>152 797</b>	<b>AHB-ME-1/8</b>

Ordering data – Plug sockets, plug sockets with cable, illuminating seal for EB solenoid coils					
	Voltage	Cable length [m]	Switching status display with LED	Part No.	Type
Plug socket without cable				Technical data → Internet: mssd	
	-	-	-	<b>151 687</b>	<b>MSSD-EB</b>
	-	-	-	<b>539 712</b>	<b>MSSD-EB-M12</b>
Plug socket without cable with insulation displacement technology				Technical data → Internet: mssd	
	-	-	-	<b>192 745</b>	<b>MSSD-EB-S-M14</b>
PVC plug socket with cable				Technical data → Internet: kmeb-1	
	24 V DC	2.5	■	<b>151 688</b>	<b>KMEB-1-24-2,5-LED</b>
	24 V DC	5	■	<b>151 689</b>	<b>KMEB-1-24-5-LED</b>
	24 V DC	10	■	<b>193 457</b>	<b>KMEB-1-24-10-LED</b>
	Up to 240 V	2.5	-	<b>151 690</b>	<b>KMEB-1-230AC-2,5</b>
	Up to 240 V	5	-	<b>151 691</b>	<b>KMEB-1-230AC-5</b>
PUR plug socket with cable				Technical data → Internet: kmeb-2	
	24 V DC	2.5	■	<b>174 844</b>	<b>KMEB-2-24-2,5-LED</b>
	24 V DC	5	■	<b>174 845</b>	<b>KMEB-2-24-5-LED</b>
	Up to 240 V	2.5	-	<b>174 846</b>	<b>KMEB-2-230-2,5</b>
	Up to 240 V	5	-	<b>174 847</b>	<b>KMEB-2-230-5</b>
Illuminating seal				Technical data → Internet: meb-ld	
	12 ... 24 V DC	-	-	<b>151 717</b>	<b>MEB-LD-12-24DC</b>
	230 V AC	-	-	<b>151 718</b>	<b>MEB-LD-230AC</b>

# Solenoid/pneumatic valves, midi pneumatics

Accessories

Ordering data – Plug sockets, plug sockets with cable, illuminating seal for E solenoid coils					
	Voltage	Cable length [m]	Switching status display with LED	Part No.	Type
<b>Plug socket without cable</b> <span style="float: right;">Technical data → Internet: mssd</span>					
	–	–	–	<b>14 098</b>	<b>MSSD-E</b>
				<b>539 711</b>	<b>MSSD-E-M12</b>
<b>Plug socket with cable</b> <span style="float: right;">Technical data → Internet: kme</span>					
	24 V DC	2.5	■	<b>30 943</b>	<b>KME-1-24DC-2,5-LED</b>
		5	■	<b>30 945</b>	<b>KME-1-24DC-5-LED</b>
		10	■	<b>193 455</b>	<b>KME-1-24DC-10-LED</b>
<b>Illuminating seal</b> <span style="float: right;">Technical data → Internet: me-ld</span>					
	24 V DC	–	–	<b>19 141</b>	<b>ME-LD-12-24DC</b>



# Product Range and Company Overview

## A Complete Suite of Automation Services

Our experienced engineers provide complete support at every stage of your development process, including: conceptualization, analysis, engineering, design, assembly, documentation, validation, and production.



**Custom Automation Components**  
Complete custom engineered solutions



**Custom Control Cabinets**  
Comprehensive engineering support and on-site services



**Complete Systems**  
Shipment, stocking and storage services

## The Broadest Range of Automation Components

With a comprehensive line of more than 30,000 automation components, Festo is capable of solving the most complex automation requirements.



**Electromechanical**  
Electromechanical actuators, motors, controllers & drives



**Pneumatics**  
Pneumatic linear and rotary actuators, valves, and air supply



**PLCs and I/O Devices**  
PLC's, operator interfaces, sensors and I/O devices

## Supporting Advanced Automation... As No One Else Can!

Festo is a leading global manufacturer of pneumatic and electromechanical systems, components and controls for industrial automation, with more than 12,000 employees in 56 national headquarters serving more than 180 countries. For more than 80 years, Festo has continuously elevated the state of manufacturing with innovations and optimized motion control solutions that deliver higher performing, more profitable automated manufacturing and processing equipment. Our dedication to the advancement of automation extends beyond technology to the education and development of current and future automation and robotics designers with simulation tools, teaching programs, and on-site services.

## Quality Assurance, ISO 9001 and ISO 14001 Certifications

Festo Corporation is committed to supply all Festo products and services that will meet or exceed our customers' requirements in product quality, delivery, customer service and satisfaction.

To meet this commitment, we strive to ensure a consistent, integrated, and systematic approach to management that will meet or exceed the requirements of the ISO 9001 standard for Quality Management and the ISO 14001 standard for Environmental Management.



© Copyright 2008, Festo Corporation. While every effort is made to ensure that all dimensions and specifications are correct, Festo cannot guarantee that publications are completely free of any error, in particular typing or printing errors. Accordingly, Festo cannot be held responsible for the same. For Liability and Warranty conditions, refer to our "Terms and Conditions of Sale", available from your local Festo office. All rights reserved. No part of this publication may be reproduced, distributed, or transmitted in any form or by any means, electronic, mechanical, photocopying or otherwise, without the prior written permission of Festo. All technical data subject to change according to technical update.



Printed on recycled paper at New Horizon Graphic, Inc., FSC certified as an environmentally friendly printing plant.

# Festo North America

## United States

**Customer Resource Center**  
502 Earth City Expy., Suite 125  
Earth City, MO 63045

For ordering assistance, or to find  
your nearest Festo Distributor,

**Call:** 1.800.99.FESTO

**Fax:** 1.800.96.FESTO

**Email:** customer.service@us.festo.com

For technical support,

**Call:** 1.866.GO.FESTO

**Fax:** 1.800.96.FESTO

**Email:** product.support@us.festo.com

### Headquarters

Festo Corporation  
395 Moreland Road  
P.O. Box 18023  
Hauppauge, NY 11788  
[www.festo.com/us](http://www.festo.com/us)

---

### Sales Offices

#### Appleton

N. 922 Tower View Drive, Suite N  
Greenville, WI 54942

#### Boston

120 Presidential Way, Suite 330  
Woburn, MA 01801

#### Chicago

1441 East Business Center Drive  
Mt. Prospect, IL 60056

#### Dallas

1825 Lakeway Drive, Suite 600  
Lewisville, TX 75057

#### Detroit - Automotive Engineering Center

2601 Cambridge Court, Suite 320  
Auburn Hills, MI 48326

#### New York

395 Moreland Road  
Hauppauge, NY 11788

#### Silicon Valley

4935 Southfront Road, Suite F  
Livermore, CA 94550

## Design and Manufacturing Operations



**East:** 395 Moreland Road, Hauppauge, NY 11788



**Central:** 1441 East Business Center Drive, Mt. Prospect, IL 60056



**West:** 4935 Southfront Road, Suite F, Livermore, CA 94550

---

## Mexico

### Headquarters

Festo Pneumatic, S.A.  
Av. Ceylán 3, Col. Tequesquahuac  
54020 Tlalnepantla, Edo. de México  
**Call:** 011 52 [55] 53 21 66 00  
**Fax:** 011 52 [55] 53 21 66 65  
**Email:** festo.mexico@mx.festo.com  
[www.festo.com/mx](http://www.festo.com/mx)



---

## Canada

### Headquarters

Festo Inc.  
5300 Explorer Drive  
Mississauga, Ontario L4W 5G4  
**Call:** 1.905.624.9000  
**Fax:** 1.905.624.9001  
**Email:** info.ca@ca.festo.com  
[www.festo.com/ca](http://www.festo.com/ca)



---

## Festo Worldwide

Argentina Australia Austria Belarus Belgium Brazil Bulgaria Canada Chile China Colombia Croatia Czech Republic Denmark  
Estonia Finland France Germany Great Britain Greece Hong Kong Hungary India Indonesia Iran Ireland Israel Italy Japan  
Latvia Lithuania Malaysia Mexico Netherlands New Zealand Norway Peru Philippines Poland Romania Russia Serbia Singapore  
Slovakia Slovenia South Africa South Korea Spain Sweden Switzerland Taiwan Thailand Turkey Ukraine United States Venezuela

[www.festo.com](http://www.festo.com)