



- Electrically or pneumatically actuated valves
- Valves with internal or external pilot air
- Manifold mounting for 2 ... 10 valves or individual mounting

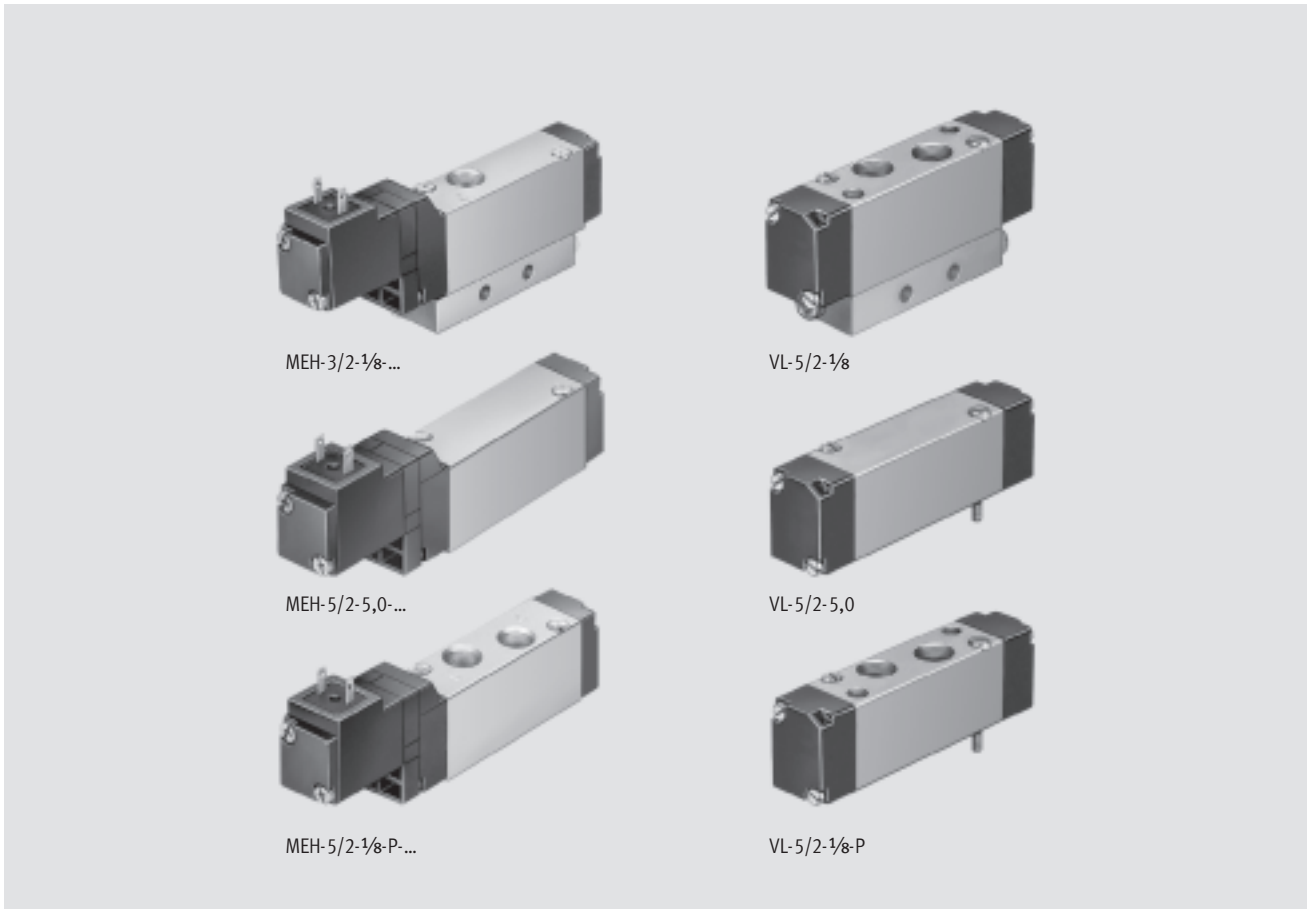
Solenoid/pneumatic valves, midi pneumatics

Features

FESTO

Directional control valves for standard applications
Midi Pneumatic

2.4



Parameter	Variants	Possible combinations	Mounting
<ul style="list-style-type: none"> Flow rate 200 ... 700 l/min 	<ul style="list-style-type: none"> Electrically and pneumatically actuated valves 3/2, 5/2 and 5/3-way valves Sub-base valves Semi in-line valves 	<ul style="list-style-type: none"> Any number of valves can be added with series sub-bases 2 ... 10 manifold mounted valves with blanking plates for spare positions Prefabricated plug socket with cable, LED and protective circuit Cable and solenoid coil for assembly by user Manual override 	<ul style="list-style-type: none"> Semi in-line valves, threaded Individual mounting Sub-base valves Sub-base Series sub-base Valves with in-line connection at top PRS manifold
<ul style="list-style-type: none"> Width 18 mm 			
<ul style="list-style-type: none"> Voltage 24 V DC 110 or 230 V AC 			

Solenoid/pneumatic valves, midi pneumatics

Features

Mounting options

Individual sub-base

Connection at side

AS-ME-1/8

AS-VL-1/8



Connection underneath

AU-ME-1/8



Manifold mounting

Series sub-base

AW-ME-1/8



AW-VL-1/8



Intermediate plate

ZP-ME-1/8



End plate kit

EP-ME-1/8



Blanking plate for spare positions

PRMEB-5



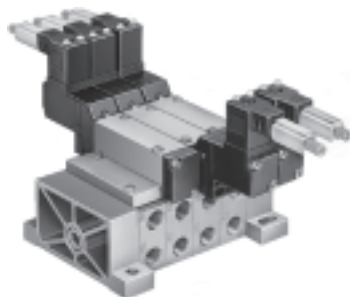
In-line manifold

PRS-ME-1/8



Blanking plate for spare positions

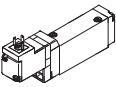
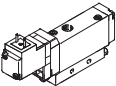
PRSB-ME-1/8

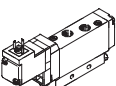
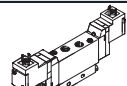


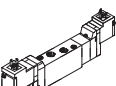
Solenoid valves MEH/MEBH, midi pneumatics

Overview – Solenoid valves



Function	Design	Type	Nominal flow rate [l/min]	Pneumatic connection	Operating voltage		Semi in-line valve	Sub-base valve
					[V DC]	[V AC]		
3/2-way valves		MEBH-3/2-...	700	5.0 mm	24	110, 230	-	■
			600	G1/8			■	-
		MOEBH-3/2-...	700	5.0 mm	24	110, 230	-	■
			600	G1/8			■	-
		MEH-3/2-...	700	5.0 mm	24	-	-	■
			600	G1/8			■	-
		MOEH-3/2-...	700	5.0 mm	24	-	-	■
			600	G1/8			■	-

Function	Design	Type	Nominal flow rate [l/min]	Pneumatic connection	Operating voltage		Semi in-line valve	Sub-base valve
					[V DC]	[V AC]		
5/2-way valves		MEBH-5/2-...	700	5.0 mm	24	110, 230	-	■
			600	G1/8			■	-
		MEH-5/2-...	700	5.0 mm	24	-	-	■
			600	G1/8			■	-
		JMEBH-5/2-...	700	5.0 mm	24	110, 230	-	■
			650	G1/8			■	-
		JMEH-5/2-...	700	5.0 mm	24	-	-	■
			650	G1/8			■	-

Function	Design	Type	Nominal flow rate [l/min]	Pneumatic connection	Operating voltage		Semi in-line valve	Sub-base valve
					[V DC]	[V AC]		
5/3-way valves		MEBH-5/3...	500	5.0 mm	24	110, 230	-	■
			600	G1/8			■	-
			400	5.0 mm			-	■
			300	G1/8			■	-
			400	5.0 mm			-	■
			200	G1/8			■	-
		MEH-5/3...	500	5.0 mm	24	-	-	■
			600	G1/8			■	-
			400	5.0 mm			-	■
			300	G1/8			■	-
			400	5.0 mm			-	■
			200	G1/8			■	-

Directional control valves for standard applications
Midi Pneumatic

2.4

Solenoid valves MEH/MEBH, midi pneumatics

Overview – Solenoid valves

Type	Pilot air supply		Type of reset		Normal position		→ Page
	internal	external	pneumatic spring	mechanical spring	closed	open	
Solenoid valve							
MEBH-3/2-...	■	-	-	■	■	-	2 / 2.4-9
MOEBH-3/2-...	■	-	-	■	-	■	
MEH-3/2-...	■	-	-	■	■	-	2 / 2.4-21
MOEH-3/2-...	■	-	-	■	-	■	

Type	Pilot air supply		Type of reset		Normal position		→ Page
	internal	external	pneumatic spring	mechanical spring	closed	open	
Solenoid valve							
MEBH-5/2-...	■	■	■	■	-	-	2 / 2.4-9
MEH-5/2-...	■	■	■	■	-	-	2 / 2.4-21
Double solenoid valve							
JMEBH-5/2-...	■	■	-	-	-	-	2 / 2.4-9
JMEH-5/2-...	■	■	-	-	-	-	2 / 2.4-21

Type	Pilot air supply		Type of reset		Normal position			→ Page
	internal	external	pneumatic spring	mechanical spring	closed	exhausted	pressurised	
Solenoid valve								
MEBH-5/3...	■	■	-	■	■	-	-	2 / 2.4-9
	■	■	-	■	-	■	-	
	■	■	-	■	-	-	■	
MEH-5/3...	■	■	-	■	■	-	-	2 / 2.4-21
	■	■	-	■	-	■	-	
	■	■	-	■	-	-	■	

Directional control valves for standard applications
 Midi Pneumatic
 2.4

Pneumatic valves VL/J, midi pneumatics



Overview – Pneumatic valves

Function	Design	Type	Nominal flow rate [l/min]	Pneumatic connection	Semi in-line valve	Sub-base valve
5/2-way valves	Pneumatic valve					
		VL-5/2-...	700	5.0 mm	-	■
			600	G1/8	■	-
	Double pilot valve					
		J-5/2-...	700	5.0 mm	-	■
			650	G1/8	■	-

Function	Design	Type	Nominal flow rate [l/min]	Pneumatic connection	Semi in-line valve	Sub-base valve
5/3-way valves	Pneumatic valve					
		VL-5/3...	600	5.0 mm	-	■
			500	G1/8	■	-
			350	5.0 mm	-	■
			350	G1/8	■	-
			300	5.0 mm	-	■
			300	G1/8	■	-

Directional control valves for standard applications
Midi Pneumatic

Pneumatic valves VL/J, midi pneumatics

Overview – Pneumatic valves

Type	Pilot air supply		Type of reset		→ Page
	internal	external	pneumatic spring	mechanical spring	
Pneumatic valve					
VL-5/2-...	■	-	-	■	2 / 2.4-34
Double pilot valve					
J-5/2-...	■	-	-	-	2 / 2.4-34

Type	Pilot air supply		Normal position			→ Page
	internal	external	closed	exhausted	pressurised	
Pneumatic valve						
VL-5/3...	■	-	■	-	-	2 / 2.4-34
	■	-	-	■	-	
	■	-	-	-	■	

Solenoid valves MEH/MEBH, midi pneumatics

Type codes



Directional control valves for standard applications
Midi Pneumatic


2.4


MEBH		5/2	1/8	P	L	B	110AC
Type							
MEBH	Single solenoid, with EB solenoid coil						
MOEBH	Single solenoid, with EB solenoid coil, normally open						
MEH	Single solenoid, with E solenoid coil						
MOEH	Single solenoid, with E solenoid coil, normally open						
JMEBH	Double solenoid, with EB solenoid coil						
JMEH	Double solenoid, with E solenoid coil						
Valve function							
3/2	3/2-way valve						
5/2	5/2-way valve						
5/3	5/3-way valve						
Normal position							
G	Closed						
E	Exhausted						
B	Pressurised						
Design, pneumatic connection/nominal size							
1/8	Semi in-line valve, thread G1/8						
5.0	Sub-base valve, 5 mm						
Mounting method							
P	On manifold PRS-ME						
Type of reset							
	Mechanical spring						
L	Pneumatic spring						
Pilot air supply							
	Internal						
S	External						
Generation							
B	B series						
Operating voltage							
	24 V DC						
110AC	110 V AC						
230AC	230 V AC						

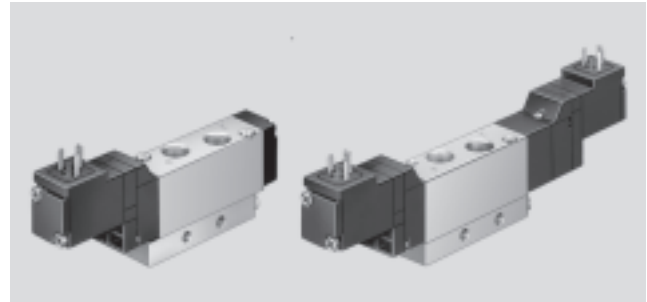
Solenoid valves MEBH, midi pneumatics



Technical data

-  - Flow rate
200 ... 700 l/min

-  - Voltage
24 V DC
110/230 V AC



General technical data							
Type		MEBH-3/2-... MOEBH-3/2-...	MEBH-5/2-...	JMEBH-5/2-...	MEBH-5/3...		
Design		Piston spool					
Type of mounting	...-1/8	2 through-holes					
	...-5.0	On sub-base with two M3 screws					
	...-1/8-P	On manifold with two M3 screws					
Pneumatic connection	...-1/8	G1/8					
	...-5.0	Sub-base					
	...-1/8-P	G1/8					
Nominal size	[mm]	5					
Standard nominal flow rate 1 > 2, 1 > 4					G	E	B
	...-1/8	600/500	600	650	600	300	200
	...-5.0	700/600	700	700	500	400	400
	...-1/8-P	600/500	600	650	650	300	200
Materials		Housing: Aluminium Seals: Nitrile rubber					
Weight	[g]						
	...-1/8	105	105	142	153		
	...-5.0	105	105	146	150		
	...-1/8-P	105	105	142	153		

Operating and environmental conditions							
Type		MEBH-3/2-... MOEBH-3/2-...	MEBH-5/2-...	JMEBH-5/2-...	MEBH-5/3...		
Operating medium		Filtered compressed air, lubricated or unlubricated ¹⁾ Vacuum					
Operating pressure range	Internal pilot air supply	[bar]	2 ... 8	2.5 ... 8	1.5 ... 8	3 ... 8	
	External pilot air supply	[bar]	-	-0.9 ... +10			
Pilot pressure range		[bar]	-	2.5 ... 8	1.5 ... 8	3 ... 8	
Ambient temperature		[°C]	-5 ... +50				
Temperature of medium		[°C]	-5 ... +50				

1) Only oils of viscosity class 32 may be used for lubricated operation.

Solenoid valves MEBH, midi pneumatics



Technical data

Valve response times [ms]							
Type	MEBH-3/2-... MOEBH-3/2-...		MEBH-5/2-...		JMEBH-5/2-...	MEBH-5/3...	
Type of reset	mechanical	pneumatic	mechanical	pneumatic	–	mechanical	pneumatic
On	10	–	10	15	–	12	–
Off	28	–	28	18	–	25	–
Changeover	–	–	–	–	10	–	–

Electrical data			
EB solenoid coil			
Electrical connection		Plug, square design to EN 175 301-803, type C	
Operating voltage	D.C. voltage	[V DC]	24
	AC voltage	[V AC]	110/230 (50 ... 60 Hz)
Coil characteristics	D.C. voltage	[W]	2.5
	AC voltage	[VA]	2.4
Protection class to EN 60 529		IP65 (in combination with plug socket)	

Directional control valves for standard applications
Midi Pneumatic

2.4

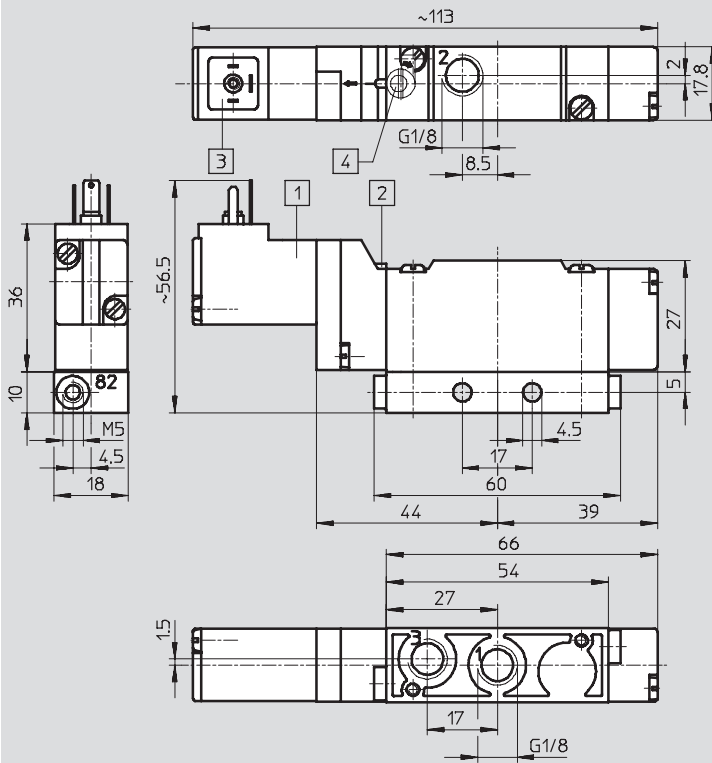
Solenoid valves MEBH, midi pneumatics

Technical data – 3/2-way valves

Dimensions

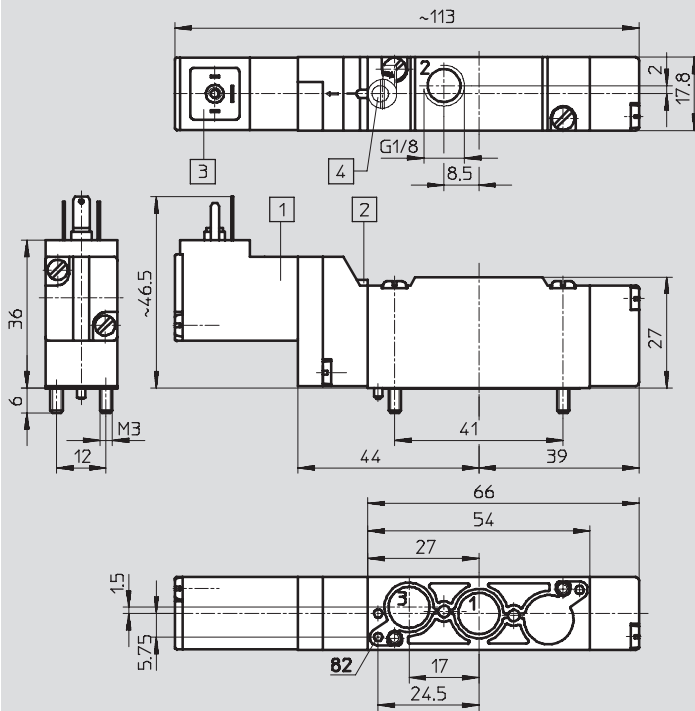
Download CAD data → www.festo.com/en/engineering

Semi in-line valve with thread G1/8



- 1) Solenoid coil can be rotated 180°¹⁾
 - 2) Manual override
 - 3) Suitable for plug sockets to EN 175 301-803, form C: MSSD-EB or KMEB-...
 - 4) Manual override tool (accessory) AHB-ME-1/8
- 1) The seal must not be turned!

Semi in-line valve for manifold PRS-ME



- 1) Solenoid coil can be rotated 180°¹⁾
 - 2) Manual override
 - 3) Suitable for plug sockets to EN 175 301-803, form C: MSSD-EB or KMEB-...
 - 4) Manual override tool (accessory) AHB-ME-1/8
- 1) The seal must not be turned!

Solenoid valves MEBH, midi pneumatics

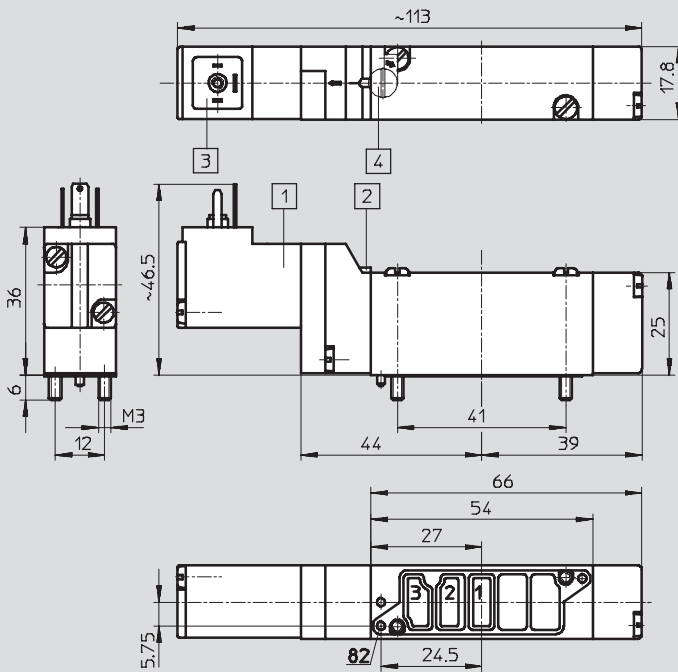
Technical data – 3/2-way valves



Dimensions

Download CAD data → www.festo.com/en/engineering

Sub-base valve



- 1) Solenoid coil can be rotated 180°¹⁾
 - 2) Manual override
 - 3) Suitable for plug sockets to EN 175 301-803, form C: MSSD-EB or KMEB-...
 - 4) Manual override tool (accessory) AHB-ME-1/8
- 1) The seal must not be turned!

Ordering data

Circuit symbol	Description	Voltage	Part No.	Type
Normally closed				
	Semi in-line valve with thread G1/8	24 V DC	172 998	MEBH-3/2-1/8-B
		110 V AC	173 042	MEBH-3/2-1/8-B-110AC
		230 V AC	173 084	MEBH-3/2-1/8-B-230AC
	Semi in-line valve for manifold PRS-ME	24 V DC	173 000	MEBH-3/2-1/8-P-B
		110 V AC	173 056	MEBH-3/2-1/8-P-B-110AC
		230 V AC	173 098	MEBH-3/2-1/8-P-B-230AC
	Sub-base valve	24 V DC	172 999	MEBH-3/2-5,0-B
		110 V AC	173 070	MEBH-3/2-5,0-B-110AC
		230 V AC	173 112	MEBH-3/2-5,0-B-230AC
Normally open				
	Semi in-line valve with thread G1/8	24 V DC	173 001	MOEBH-3/2-1/8-B
		110 V AC	173 053	MOEBH-3/2-1/8-B-110AC
		230 V AC	173 095	MOEBH-3/2-1/8-B-230AC
	Semi in-line valve for manifold PRS-ME	24 V DC	173 003	MOEBH-3/2-1/8-P-B
		110 V AC	173 067	MOEBH-3/2-1/8-P-B-110AC
		230 V AC	173 109	MOEBH-3/2-1/8-P-B-230AC
	Sub-base valve	24 V DC	173 002	MOEBH-3/2-5,0-B
		110 V AC	173 081	MOEBH-3/2-5,0-B-110AC
		230 V AC	173 123	MOEBH-3/2-5,0-B-230AC

Solenoid valves MEBH, midi pneumatics

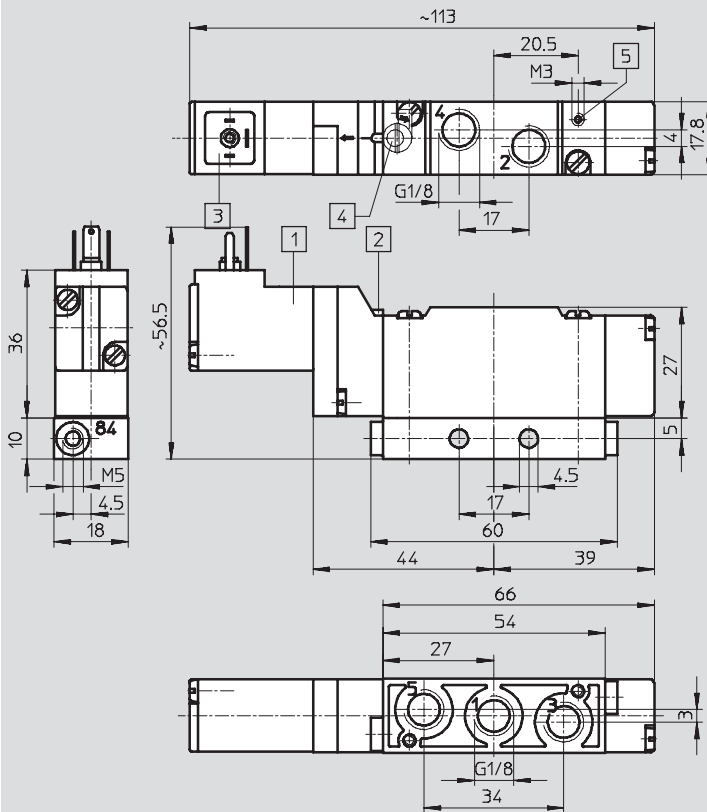
Technical data – 5/2-way valves



Dimensions

Download CAD data → www.festo.com/en/engineering

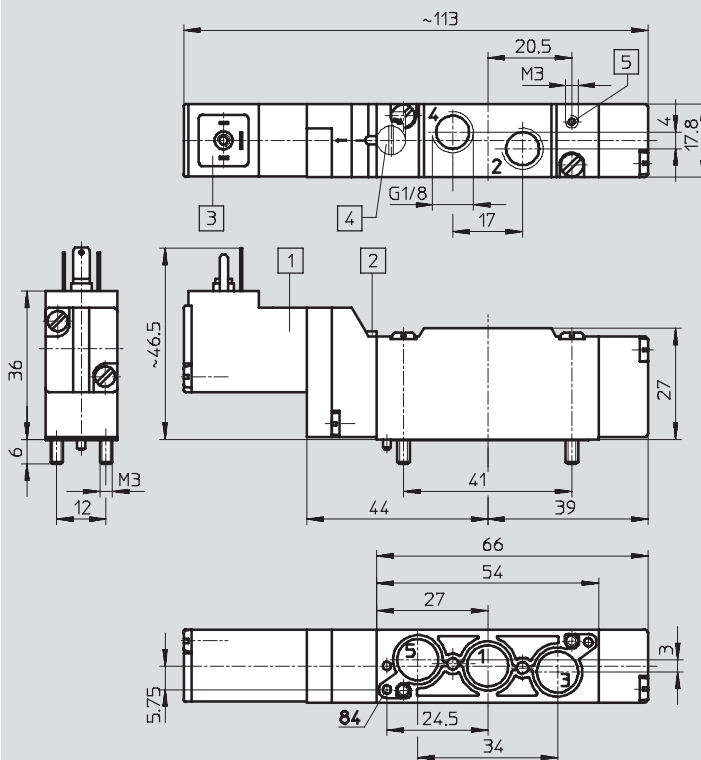
Semi in-line valve with thread G1/8



- 1 Solenoid coil can be rotated 180°¹⁾
- 2 Manual override
- 3 Suitable for plug sockets to EN 175 301-803, form C: MSSD-EB or KMEB-...
- 4 Manual override tool (accessory) AHB-ME-1/8
- 5 Port for external pilot air on S types

1) The seal must not be turned!

Semi in-line valve for manifold PRS-ME



- 1 Solenoid coil can be rotated 180°¹⁾
- 2 Manual override
- 3 Suitable for plug sockets to EN 175 301-803, form C: MSSD-EB or KMEB-...
- 4 Manual override tool (accessory) AHB-ME-1/8
- 5 Port for external pilot air on S types

1) The seal must not be turned!

Solenoid valves MEBH, midi pneumatics

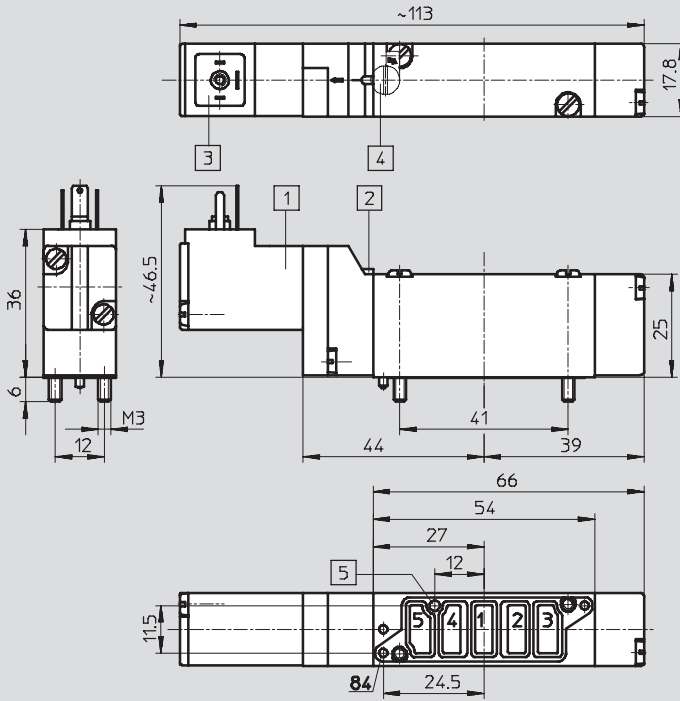
Technical data – 5/2-way valves



Dimensions

Download CAD data → www.festo.com/en/engineering

Sub-base valve



- 1) Solenoid coil can be rotated 180°¹⁾
- 2) Manual override
- 3) Suitable for plug sockets to EN 175 301-803, form C: MSSD-EB or KMEB-...
- 4) Manual override tool (accessory) AHB-ME-1/8
- 5) Port for external pilot air on S types

1) The seal must not be turned!

Solenoid valves MEBH, midi pneumatics

Technical data – 5/2-way valves

Ordering data				
Circuit symbol	Description	Voltage	Part No.	Type
Mechanical spring return, internal pilot air supply				
	Semi in-line valve with thread G1/8	24 V DC	173 004	MEBH-5/2-1/8-B
		110 V AC	173 043	MEBH-5/2-1/8-B-110AC
		230 V AC	173 085	MEBH-5/2-1/8-B-230AC
	Semi in-line valve for manifold PRS-ME	24 V DC	173 006	MEBH-5/2-1/8-P-B
		110 V AC	173 057	MEBH-5/2-1/8-P-B-110AC
		230 V AC	173 099	MEBH-5/2-1/8-P-B-230AC
	Sub-base valve	24 V DC	173 005	MEBH-5/2-5,0-B
		110 V AC	173 071	MEBH-5/2-5,0-B-110AC
		230 V AC	173 113	MEBH-5/2-5,0-B-230AC
Mechanical spring return, external pilot air supply				
	Semi in-line valve with thread G1/8	24 V DC	173 007	MEBH-5/2-1/8-S-B
		110 V AC	173 046	MEBH-5/2-1/8-S-B-110AC
		230 V AC	173 088	MEBH-5/2-1/8-S-B-230AC
	Semi in-line valve for manifold PRS-ME	24 V DC	173 009	MEBH-5/2-1/8-P-S-B
		110 V AC	173 060	MEBH-5/2-1/8-P-S-B-110AC
		230 V AC	173 102	MEBH-5/2-1/8-P-S-B-230AC
	Sub-base valve	24 V DC	173 008	MEBH-5/2-5,0-S-B
		110 V AC	173 074	MEBH-5/2-5,0-S-B-110AC
		230 V AC	173 116	MEBH-5/2-5,0-S-B-230AC
Pneumatic spring return, internal pilot air supply				
	Semi in-line valve with thread G1/8	24 V DC	173 010	MEBH-5/2-1/8-L-B
		110 V AC	173 044	MEBH-5/2-1/8-L-B-110AC
		230 V AC	173 086	MEBH-5/2-1/8-L-B-230AC
	Semi in-line valve for manifold PRS-ME	24 V DC	173 012	MEBH-5/2-1/8-P-L-B
		110 V AC	173 058	MEBH-5/2-1/8-P-L-B-110AC
		230 V AC	173 100	MEBH-5/2-1/8-P-L-B-230AC
	Sub-base valve	24 V DC	173 011	MEBH-5/2-5,0-L-B
		110 V AC	173 072	MEBH-5/2-5,0-L-B-110AC
		230 V AC	173 114	MEBH-5/2-5,0-L-B-230AC
Pneumatic spring return, external pilot air supply				
	Semi in-line valve with thread G1/8	24 V DC	173 013	MEBH-5/2-1/8-L-S-B
		110 V AC	173 045	MEBH-5/2-1/8-L-S-B-110AC
		230 V AC	173 087	MEBH-5/2-1/8-L-S-B-230AC
	Semi in-line valve for manifold PRS-ME	24 V DC	173 015	MEBH-5/2-1/8-P-L-S-B
		110 V AC	173 059	MEBH-5/2-1/8-P-L-S-B-110AC
		230 V AC	173 101	MEBH-5/2-1/8-P-L-S-B-230AC
	Sub-base valve	24 V DC	173 014	MEBH-5/2-5,0-L-S-B
		110 V AC	173 073	MEBH-5/2-5,0-L-S-B-110AC
		230 V AC	173 115	MEBH-5/2-5,0-L-S-B-230AC

Solenoid valves MEBH, midi pneumatics

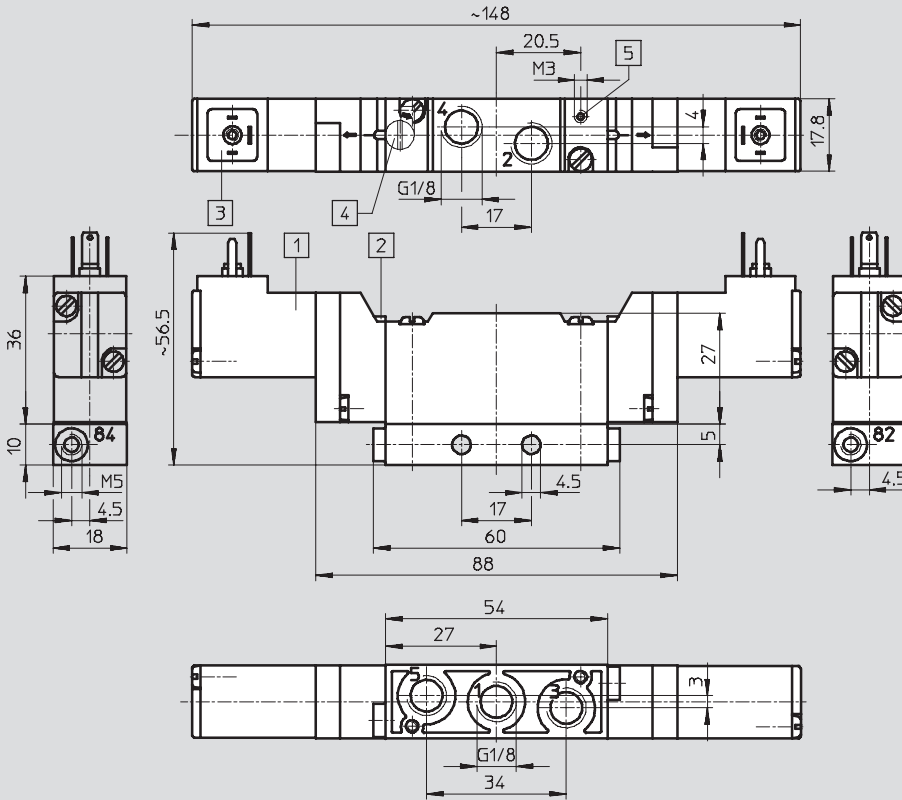
Technical data – 5/2-way valves, double solenoid



Dimensions

Download CAD data → www.festo.com/en/engineering

Semi in-line valve with thread G1/8

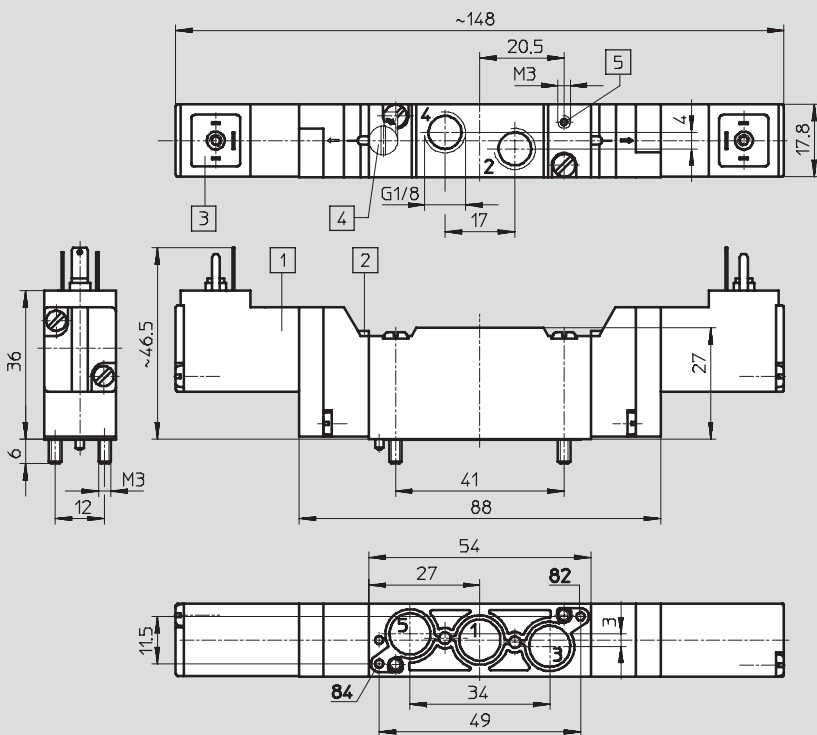


- 1) Solenoid coil can be rotated 180°¹⁾
 - 2) Manual override
 - 3) Suitable for plug sockets to EN 175 301-803, form C: MSSD-EB or KMEB-...
 - 4) Manual override tool (accessory) AHB-ME-1/8
 - 5) Port for external pilot air on S types
- 1) The seal must not be turned!

Directional control valves for standard applications
Midi Pneumatic

2.4

Semi in-line valve for manifold PRS-ME



- 1) Solenoid coil can be rotated 180°¹⁾
 - 2) Manual override
 - 3) Suitable for plug sockets to EN 175 301-803, form C: MSSD-EB or KMEB-...
 - 4) Manual override tool (accessory) AHB-ME-1/8
 - 5) Port for external pilot air on S types
- 1) The seal must not be turned!

Solenoid valves MEBH, midi pneumatics

Technical data – 5/2-way valves, double solenoid



Dimensions Download CAD data → www.festo.com/en/engineering

Sub-base valve

Technical drawings showing dimensions and callouts for the sub-base valve:

- Top view: Overall length ~148, height 17.8.
- Side view: Height 36, mounting hole offset 6, bottom hole offset 12 (M3), coil height ~46.5, distance between solenoids 41, total width 88, distance from end to solenoid 25.
- Front view: Port spacing 54, distance from end to port 27, port diameter 12, distance between ports 82, distance from end to port 84, distance between ports 49, distance from end to port 11.5.

- 1 Solenoid coil can be rotated 180°¹⁾
- 2 Manual override
- 3 Suitable for plug sockets to EN 175 301-803, form C: MSSD-EB or KMEB-...
- 4 Manual override tool (accessory) AHB-ME-1/8
- 5 Port for external pilot air on S types

1) The seal must not be turned!

Ordering data				
Circuit symbol	Description	Voltage	Part No.	Type
Internal pilot air supply				
	Semi in-line valve with thread G1/8	24 V DC	173 034	JMEBH-5/2-1/8-B
		110 V AC	173 040	JMEBH-5/2-1/8-B-110AC
		230 V AC	173 082	JMEBH-5/2-1/8-B-230AC
	Semi in-line valve for manifold PRS-ME	24 V DC	173 036	JMEBH-5/2-1/8-P-B
		110 V AC	173 054	JMEBH-5/2-1/8-P-B-110AC
		230 V AC	173 096	JMEBH-5/2-1/8-P-B-230AC
	Sub-base valve	24 V DC	173 035	JMEBH-5/2-5,0-B
		110 V AC	173 068	JMEBH-5/2-5,0-B-110AC
		230 V AC	173 110	JMEBH-5/2-5,0-B-230AC
External pilot air supply				
	Semi in-line valve with thread G1/8	24 V DC	173 037	JMEBH-5/2-1/8-S-B
		110 V AC	173 041	JMEBH-5/2-1/8-S-B-110AC
		230 V AC	173 083	JMEBH-5/2-1/8-S-B-230AC
	Semi in-line valve for manifold PRS-ME	24 V DC	173 039	JMEBH-5/2-1/8-P-S-B
		110 V AC	173 055	JMEBH-5/2-1/8-P-S-B-110AC
		230 V AC	173 097	JMEBH-5/2-1/8-P-S-B-230AC
	Sub-base valve	24 V DC	173 038	JMEBH-5/2-5,0-S-B
		110 V AC	173 069	JMEBH-5/2-5,0-S-B-110AC
		230 V AC	173 111	JMEBH-5/2-5,0-S-B-230AC

Solenoid valves MEBH, midi pneumatics

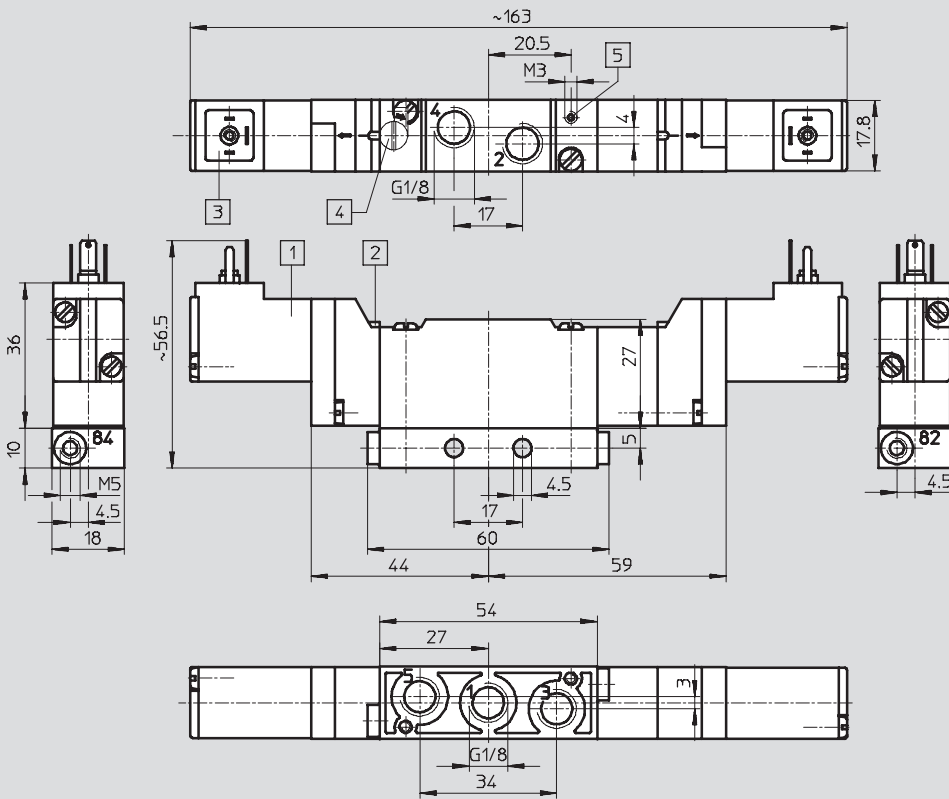
Technical data – 5/3-way valves



Dimensions

Download CAD data → www.festo.com/en/engineering

Semi in-line valve with thread G1/8

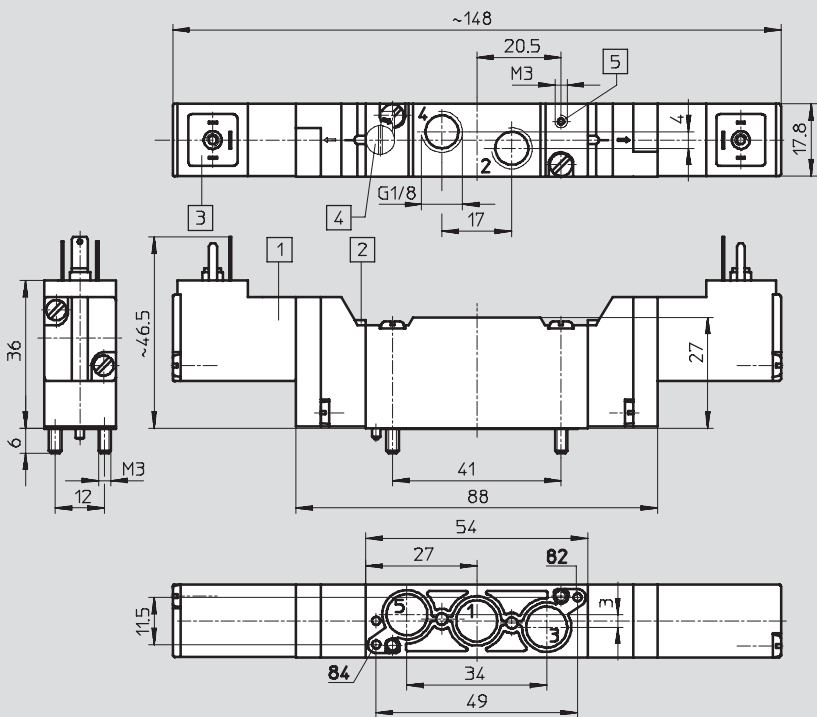


- 1) Solenoid coil can be rotated 180°¹⁾
 - 2) Manual override
 - 3) Suitable for plug sockets to EN 175 301-803, form C: MSSD-EB or KMEB-...
 - 4) Manual override tool (accessory) AHB-ME-1/8
 - 5) Port for external pilot air on S types
- 1) The seal must not be turned!

Directional control valves for standard applications
Midi Pneumatic

2.4

Semi in-line valve for manifold PRS-ME



- 1) Solenoid coil can be rotated 180°¹⁾
 - 2) Manual override
 - 3) Suitable for plug sockets to EN 175 301-803, form C: MSSD-EB or KMEB-...
 - 4) Manual override tool (accessory) AHB-ME-1/8
 - 5) Port for external pilot air on S types
- 1) The seal must not be turned!

Solenoid valves MEBH, midi pneumatics

Technical data – 5/3-way valves



Dimensions Download CAD data → www.festo.com/en/engineering

Sub-base valve

1) Solenoid coil can be rotated 180°¹⁾
 2) Manual override
 3) Suitable for plug sockets to EN 175 301-803, form C: MSSD-EB or KMEB-...
 4) Manual override tool (accessory) AHB-ME-1/8
 5) Port for external pilot air on S types

1) The seal must not be turned!

Ordering data				
Circuit symbol	Description	Voltage	Part No.	Type
Normally closed, internal pilot air supply				
	Semi in-line valve with thread G1/8	24 V DC	173 016	MEBH-5/3G-1/8-B
		110 V AC	173 051	MEBH-5/3G-1/8-B-110AC
		230 V AC	173 093	MEBH-5/3G-1/8-B-230AC
	Semi in-line valve for manifold PRS-ME	24 V DC	173 018	MEBH-5/3G-1/8-P-B
		110 V AC	173 065	MEBH-5/3G-1/8-P-B-110AC
		230 V AC	173 107	MEBH-5/3G-1/8-P-B-230AC
	Sub-base valve	24 V DC	173 017	MEBH-5/3G-5,0-B
		110 V AC	173 079	MEBH-5/3G-5,0-B-110AC
		230 V AC	173 121	MEBH-5/3G-5,0-B-230AC
Normally closed, external pilot air supply				
	Semi in-line valve with thread G1/8	24 V DC	173 019	MEBH-5/3G-1/8-S-B
		110 V AC	173 052	MEBH-5/3G-1/8-S-B-110AC
		230 V AC	173 094	MEBH-5/3G-1/8-S-B-230AC
	Semi in-line valve for manifold PRS-ME	24 V DC	173 021	MEBH-5/3G-1/8-P-S-B
		110 V AC	173 066	MEBH-5/3G-1/8-P-S-B-110AC
		230 V AC	173 108	MEBH-5/3G-1/8-P-S-B-230AC
	Sub-base valve	24 V DC	173 020	MEBH-5/3G-5,0-S-B
		110 V AC	173 080	MEBH-5/3G-5,0-S-B-110AC
		230 V AC	173 122	MEBH-5/3G-5,0-S-B-230AC

Solenoid valves MEBH, midi pneumatics

Technical data – 5/3-way valves



Directional control valves for standard applications
Midi Pneumatic


2.4

Ordering data				
Circuit symbol	Description	Voltage	Part No.	Type
Normally exhausted, internal pilot air supply				
	Semi in-line valve with thread G $\frac{1}{8}$	24 V DC	173 022	MEBH-5/3E- $\frac{1}{8}$ -B
		110 V AC	173 049	MEBH-5/3E- $\frac{1}{8}$ -B-110AC
		230 V AC	173 091	MEBH-5/3E- $\frac{1}{8}$ -B-230AC
	Semi in-line valve for manifold PRS-ME	24 V DC	173 024	MEBH-5/3E- $\frac{1}{8}$ -P-B
		110 V AC	173 063	MEBH-5/3E- $\frac{1}{8}$ -P-B-110AC
		230 V AC	173 105	MEBH-5/3E- $\frac{1}{8}$ -P-B-230AC
	Sub-base valve	24 V DC	173 023	MEBH-5/3E-5,0-B
		110 V AC	173 077	MEBH-5/3E-5,0-B-110AC
		230 V AC	173 119	MEBH-5/3E-5,0-B-230AC
Normally exhausted, external pilot air supply				
	Semi in-line valve with thread G $\frac{1}{8}$	24 V DC	173 025	MEBH-5/3E- $\frac{1}{8}$ -S-B
		110 V AC	173 050	MEBH-5/3E- $\frac{1}{8}$ -S-B-110AC
		230 V AC	173 092	MEBH-5/3E- $\frac{1}{8}$ -S-B-230AC
	Semi in-line valve for manifold PRS-ME	24 V DC	173 027	MEBH-5/3E- $\frac{1}{8}$ -P-S-B
		110 V AC	173 064	MEBH-5/3E- $\frac{1}{8}$ -P-S-B-110AC
		230 V AC	173 106	MEBH-5/3E- $\frac{1}{8}$ -P-S-B-230AC
	Sub-base valve	24 V DC	173 026	MEBH-5/3E-5,0-S-B
		110 V AC	173 078	MEBH-5/3E-5,0-S-B-110AC
		230 V AC	173 120	MEBH-5/3E-5,0-S-B-230AC
Normally pressurised, internal pilot air supply				
	Semi in-line valve with thread G $\frac{1}{8}$	24 V DC	173 028	MEBH-5/3B- $\frac{1}{8}$ -B
		110 V AC	173 047	MEBH-5/3B- $\frac{1}{8}$ -B-110AC
		230 V AC	173 089	MEBH-5/3B- $\frac{1}{8}$ -B-230AC
	Semi in-line valve for manifold PRS-ME	24 V DC	173 030	MEBH-5/3B- $\frac{1}{8}$ -P-B
		110 V AC	173 061	MEBH-5/3B- $\frac{1}{8}$ -P-B-110AC
		230 V AC	173 103	MEBH-5/3B- $\frac{1}{8}$ -P-B-230AC
	Sub-base valve	24 V DC	173 029	MEBH-5/3B-5,0-B
		110 V AC	173 075	MEBH-5/3B-5,0-B-110AC
		230 V AC	173 117	MEBH-5/3B-5,0-B-230AC
Normally pressurised, external pilot air supply				
	Semi in-line valve with thread G $\frac{1}{8}$	24 V DC	173 031	MEBH-5/3B- $\frac{1}{8}$ -S-B
		110 V AC	173 048	MEBH-5/3B- $\frac{1}{8}$ -S-B-110AC
		230 V AC	173 090	MEBH-5/3B- $\frac{1}{8}$ -S-B-230AC
	Semi in-line valve for manifold PRS-ME	24 V DC	173 033	MEBH-5/3B- $\frac{1}{8}$ -P-S-B
		110 V AC	173 062	MEBH-5/3B- $\frac{1}{8}$ -P-S-B-110AC
		230 V AC	173 104	MEBH-5/3B- $\frac{1}{8}$ -P-S-B-230AC
	Sub-base valve	24 V DC	173 032	MEBH-5/3B-5,0-S-B
		110 V AC	173 076	MEBH-5/3B-5,0-S-B-110AC
		230 V AC	173 118	MEBH-5/3B-5,0-S-B-230AC

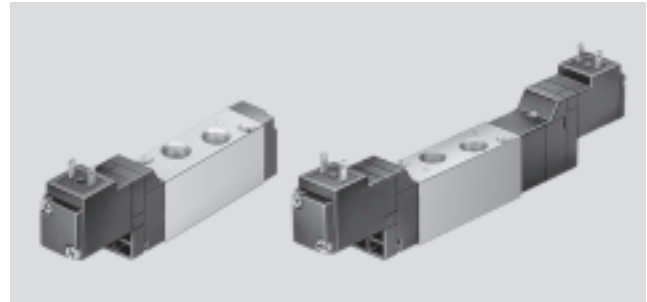
Solenoid valves MEH, midi pneumatics



Technical data

-  - Flow rate
200 ... 700 l/min

-  - Voltage
24 V DC



General technical data								
Type		MEH-3/2-... MOEH-3/2-...	MEH-5/2-...	JMEH-5/2-...	MEH-5/3...			
Design		Piston spool						
Type of mounting	...-1/8	2 through-holes						
	...-5.0	On sub-base with two M3 screws						
	...-1/8-P	On manifold with two M3 screws						
Pneumatic connection	...-1/8	G ¹ / ₈						
	...-5.0	Sub-base						
	...-1/8-P	G ¹ / ₈						
Nominal size	[mm]	5						
Standard nominal flow rate 1 > 2, 1 > 4	[l/min]	...-1/8	600/500	600	650	G 600	E 300	B 200
		...-5.0	700/600	700	700	500	400	400
		...-1/8-P	600/500	600	650	650	300	200
Materials		Housing: Aluminium Seals: Nitrile rubber						
Weight	[g]	...-1/8	105	105	142	153		
		...-5.0	105	105	146	150		
		...-1/8-P	105	105	142	153		

Operating and environmental conditions							
Type		MEH-3/2-... MOEH-3/2-...	MEH-5/2-...	JMEH-5/2-...	MEH-5/3...		
Operating medium		Filtered compressed air, lubricated or unlubricated ¹⁾ Vacuum					
Operating pressure range	Internal pilot air supply	[bar]	2 ... 8	2.5 ... 8	1.5 ... 8	3 ... 8	
	External pilot air supply	[bar]	-	-0.9 ... +10			
Pilot pressure range		[bar]	-	2.5 ... 8	1.5 ... 8	3 ... 8	
Ambient temperature		[°C]	-5 ... +50				
Temperature of medium		[°C]	-5 ... +50				

1) Only oils of viscosity class 32 may be used for lubricated operation.

Solenoid valves MEH, midi pneumatics



Technical data

Valve response times [ms]							
Type	MEH-3/2-... MOEH-3/2-...		MEH-5/2-...		JMEH-5/2-...	MEH-5/3...	
Type of reset	mechanical	pneumatic	mechanical	pneumatic	–	mechanical	pneumatic
On	10	–	10	15	–	12	–
Off	28	–	28	18	–	25	–
Changeover	–	–	–	–	10	–	–

Electrical data	
E solenoid coil	
Electrical connection	Plug, square
Operating voltage	[V DC] 24
Coil characteristics	[W] 1.5
Protection class to EN 60 529	IP65 (in combination with plug socket)

Directional control valves for standard applications
Midi Pneumatic

2.4

Solenoid valves MEH, midi pneumatics

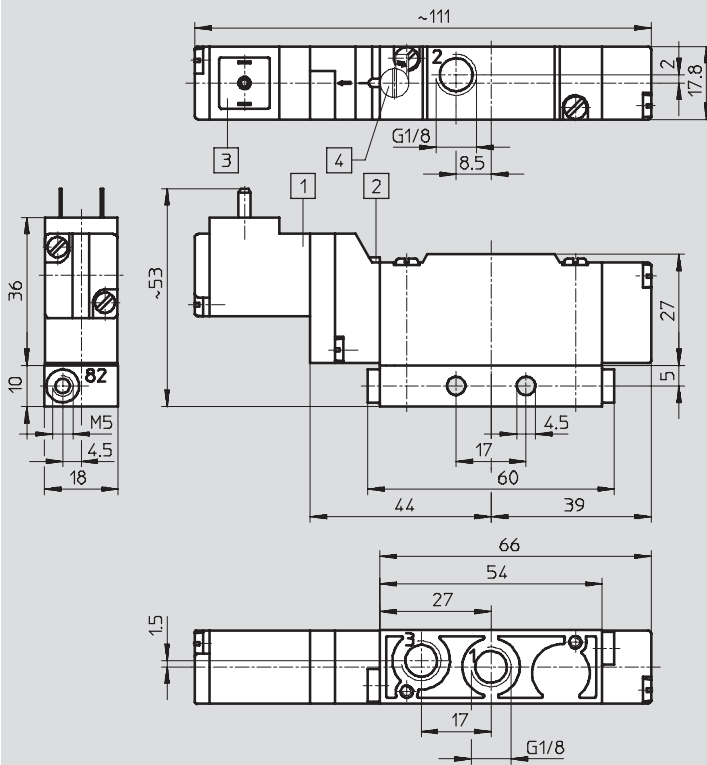
Technical data – 3/2-way valves



Dimensions

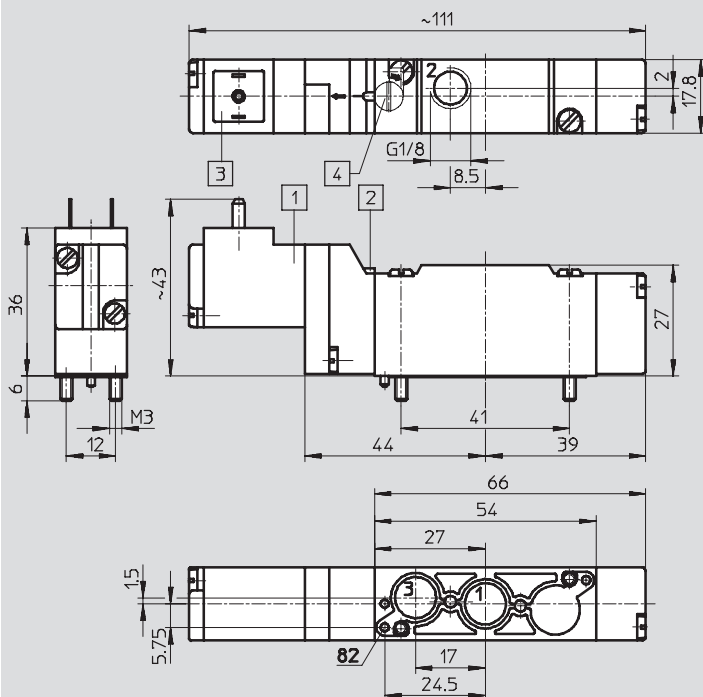
Download CAD data → www.festo.com/en/engineering

Semi in-line valve with thread G1/8



- 1) Solenoid coil can be rotated 180°¹⁾
 - 2) Manual override
 - 3) Suitable for terminal sockets to DIN 46 247 or plug sockets MSSD-E type KME type
 - 4) Manual override tool (accessory) AHB-ME-1/8
- 1) The seal must not be turned!

Semi in-line valve for manifold PRS-ME



- 1) Solenoid coil can be rotated 180°¹⁾
 - 2) Manual override
 - 3) Suitable for terminal sockets to DIN 46 247 or plug sockets MSSD-E type KME type
 - 4) Manual override tool (accessory) AHB-ME-1/8
- 1) The seal must not be turned!

Solenoid valves MEH, midi pneumatics

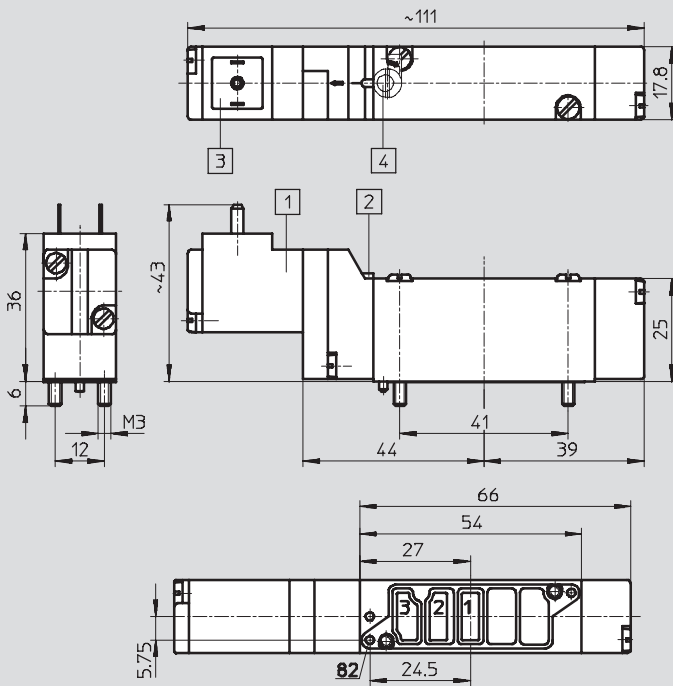
Technical data – 3/2-way valves



Dimensions

Download CAD data → www.festo.com/en/engineering

Sub-base valve



- 1) Solenoid coil can be rotated 180°¹⁾
 - 2) Manual override
 - 3) Suitable for terminal sockets to DIN 46 247 or plug sockets MSSD-E type KME type
 - 4) Manual override tool (accessory) AHB-ME-1/8
- 1) The seal must not be turned!

Ordering data

Circuit symbol	Description	Voltage	Part No.	Type
Normally closed				
	Semi in-line valve with thread G1/8	24 V DC	173 124	MEH-3/2-1/8-B
	Semi in-line valve for manifold PRS-ME		173 126	MEH-3/2-1/8-P-B
	Sub-base valve		173 125	MEH-3/2-5,0-B
Normally open				
	Semi in-line valve with thread G1/8	24 V DC	173 428	MOEH-3/2-1/8-B
	Semi in-line valve for manifold PRS-ME		173 430	MOEH-3/2-1/8-P-B
	Sub-base valve		173 429	MOEH-3/2-5,0-B

Solenoid valves MEH, midi pneumatics

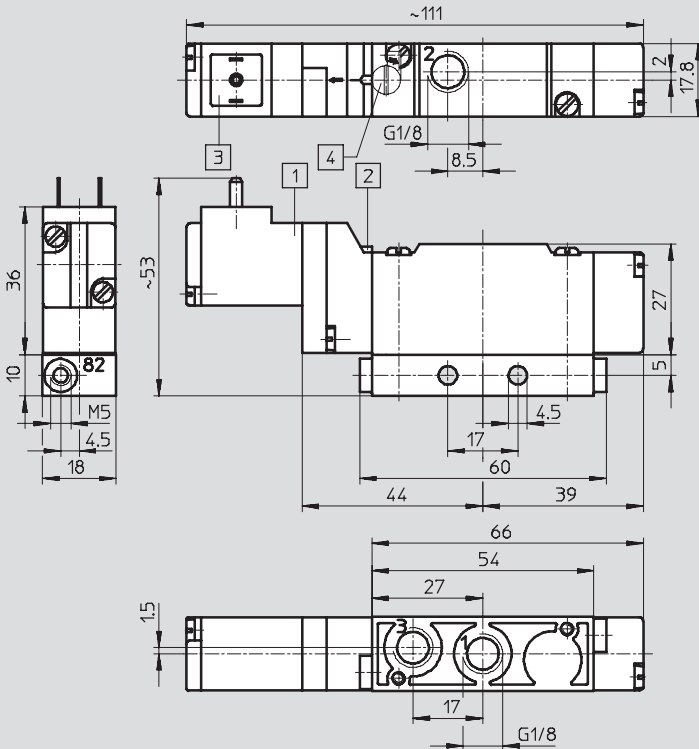
Technical data – 5/2-way valves



Dimensions

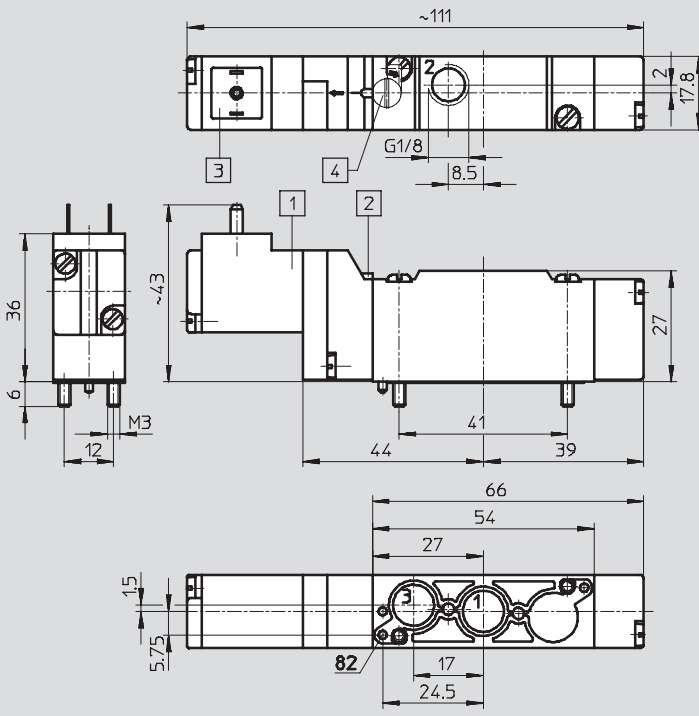
Download CAD data → www.festo.com/en/engineering

Semi in-line valve with thread G1/8



- 1) Solenoid coil can be rotated 180°¹⁾
 - 2) Manual override
 - 3) Suitable for terminal sockets to DIN 46 247 or plug sockets MSSD-E type KME type
 - 4) Manual override tool (accessory) AHB-ME-1/8
 - 5) Port for external pilot air on S types
- 1) The seal must not be turned!

Semi in-line valve for manifold PRS-ME



- 1) Solenoid coil can be rotated 180°¹⁾
 - 2) Manual override
 - 3) Suitable for terminal sockets to DIN 46 247 or plug sockets MSSD-E type KME type
 - 4) Manual override tool (accessory) AHB-ME-1/8
 - 5) Port for external pilot air on S types
- 1) The seal must not be turned!

Solenoid valves MEH, midi pneumatics

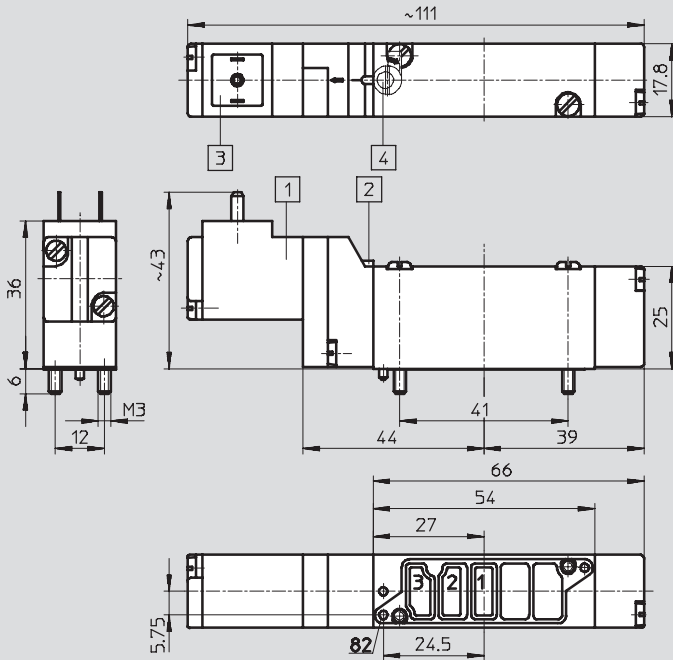
Technical data – 5/2-way valves



Dimensions

Download CAD data → www.festo.com/en/engineering

Sub-base valve



- 1 Solenoid coil can be rotated 180°¹⁾
 - 2 Manual override
 - 3 Suitable for terminal sockets to DIN 46 247 or plug sockets MSSD-E type KME type
 - 4 Manual override tool (accessory) AHB-ME-1/8
 - 5 Port for external pilot air on S types
- 1) The seal must not be turned!

Solenoid valves MEH, midi pneumatics

Technical data – 5/2-way valves



Ordering data				
Circuit symbol	Description	Voltage	Part No.	Type
Mechanical spring return, internal pilot air supply				
	Semi in-line valve with thread G1/8	24 V DC	173 127	MEH-5/2-1/8-B
	Semi in-line valve for manifold PRS-ME		173 129	MEH-5/2-1/8-P-B
	Sub-base valve		173 128	MEH-5/2-5,0-B
Mechanical spring return, external pilot air supply				
	Semi in-line valve with thread G1/8	24 V DC	173 130	MEH-5/2-1/8-S-B
	Semi in-line valve for manifold PRS-ME		173 132	MEH-5/2-1/8-P-S-B
	Sub-base valve		173 131	MEH-5/2-5,0-S-B
Pneumatic spring return, internal pilot air supply				
	Semi in-line valve with thread G1/8	24 V DC	173 133	MEH-5/2-1/8-L-B
	Semi in-line valve for manifold PRS-ME		173 135	MEH-5/2-1/8-P-L-B
	Sub-base valve		173 134	MEH-5/2-5,0-L-B
Pneumatic spring return, external pilot air supply				
	Semi in-line valve with thread G1/8	24 V DC	173 136	MEH-5/2-1/8-L-S-B
	Semi in-line valve for manifold PRS-ME		173 138	MEH-5/2-1/8-P-L-S-B
	Sub-base valve		173 137	MEH-5/2-5,0-L-S-B

Solenoid valves MEH, midi pneumatics

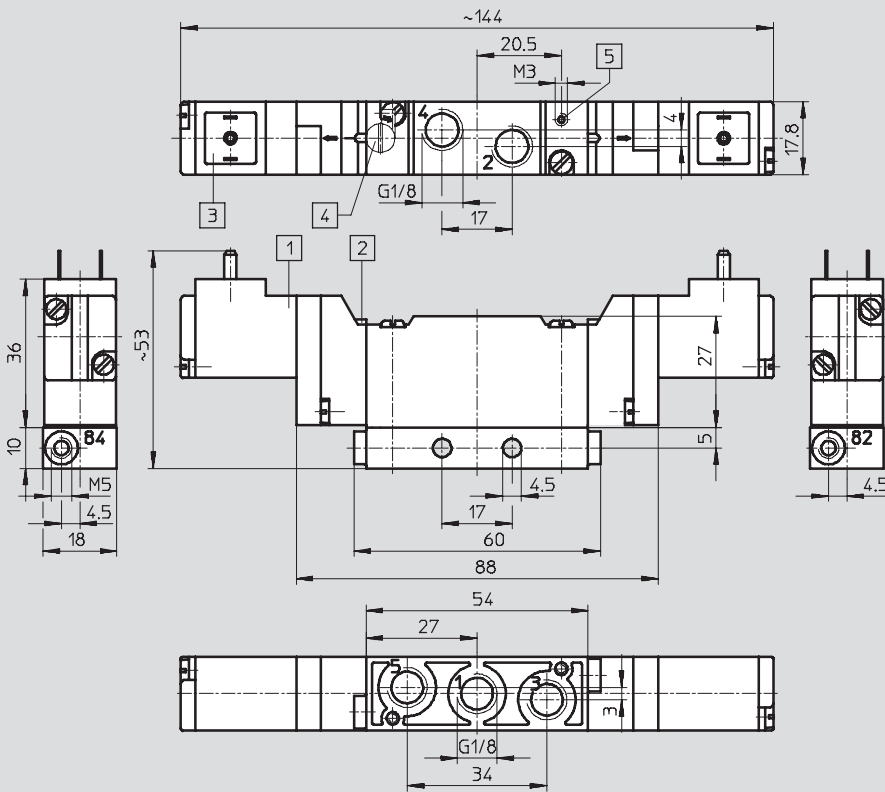
Technical data – 5/2-way valves, double solenoid



Dimensions

Download CAD data → www.festo.com/en/engineering

Semi in-line valve with thread G1/8

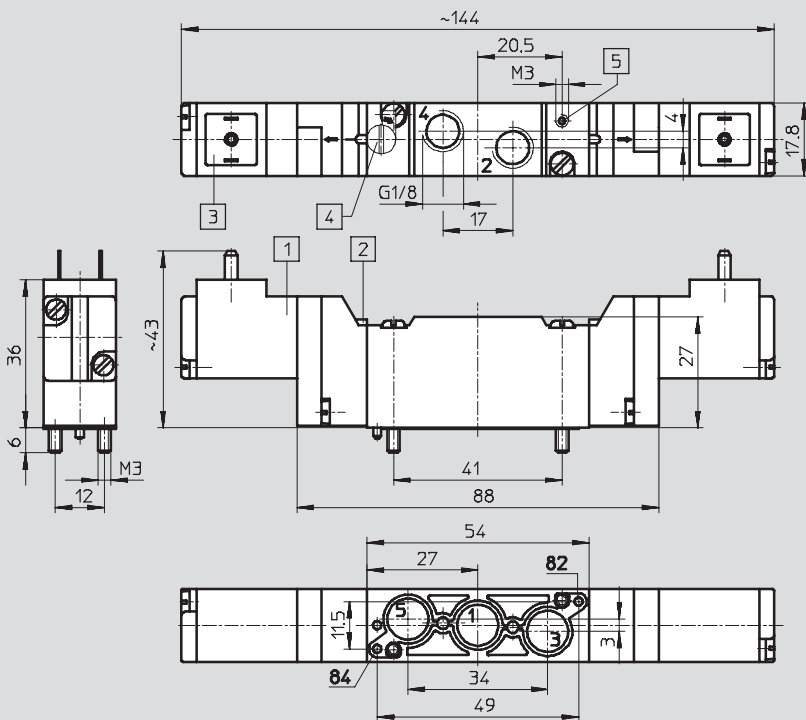


- 1) Solenoid coil can be rotated 180°¹⁾
 - 2) Manual override
 - 3) Suitable for terminal sockets to DIN 46 247 or plug sockets MSSD-E type KME type
 - 4) Manual override tool (accessory) AHB-ME-1/8
 - 5) Port for external pilot air on S types
- 1) The seal must not be turned!

Directional control valves for standard applications
Midi Pneumatic

2.4

Semi in-line valve for manifold PRS-ME



- 1) Solenoid coil can be rotated 180°¹⁾
 - 2) Manual override
 - 3) Suitable for terminal sockets to DIN 46 247 or plug sockets MSSD-E type KME type
 - 4) Manual override tool (accessory) AHB-ME-1/8
 - 5) Port for external pilot air on S types
- 1) The seal must not be turned!

Solenoid valves MEH, midi pneumatics

Technical data – 5/2-way valves, double solenoid



Dimensions Download CAD data → www.festo.com/en/engineering

Sub-base valve

1) Solenoid coil can be rotated 180°¹⁾
 2) Manual override
 3) Suitable for terminal sockets to DIN 46 247 or plug sockets MSSD-E type KME type
 4) Manual override tool (accessory) AHB-ME-1/8
 5) Port for external pilot air on S types

1) The seal must not be turned!

Ordering data				
Circuit symbol	Description	Voltage	Part No.	Type
5/2-way valves				
Internal pilot air supply				
	Semi in-line valve with thread G1/8	24 V DC	173 431	JMEH-5/2-1/8-B
	Semi in-line valve for manifold PRS-ME		173 433	JMEH-5/2-1/8-P-B
	Sub-base valve		173 432	JMEH-5/2-5,0-B
External pilot air supply				
	Semi in-line valve with thread G1/8	24 V DC	173 434	JMEH-5/2-1/8-S-B
	Semi in-line valve for manifold PRS-ME		173 436	JMEH-5/2-1/8-P-S-B
	Sub-base valve		173 435	JMEH-5/2-5,0-S-B

Solenoid valves MEH, midi pneumatics

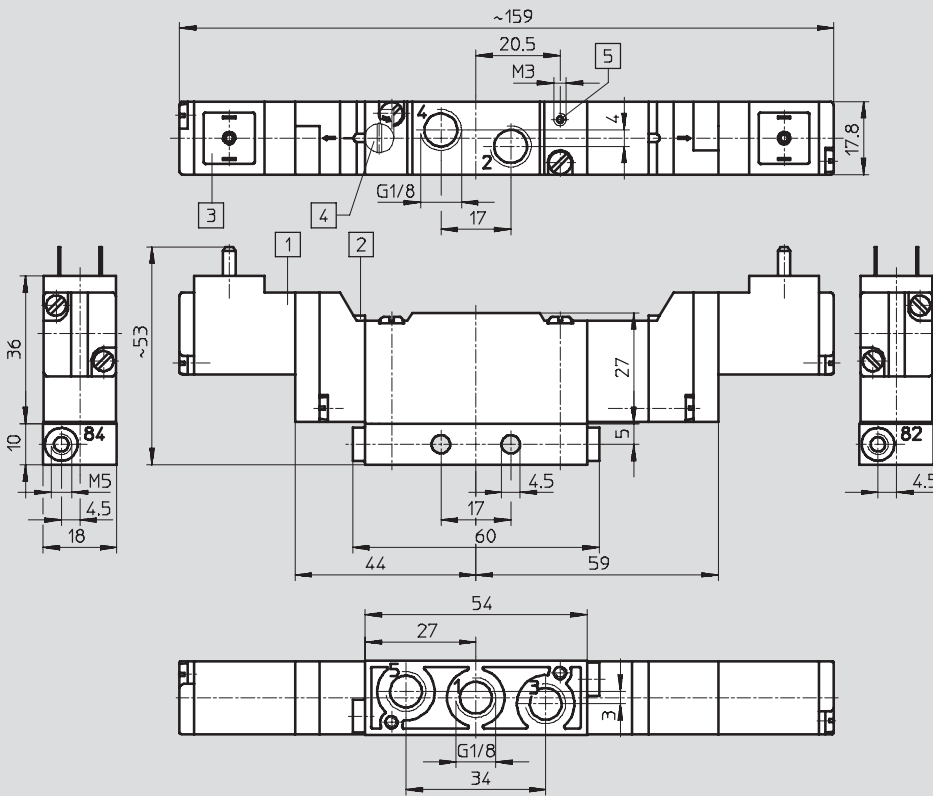
Technical data – 5/3-way valves



Dimensions

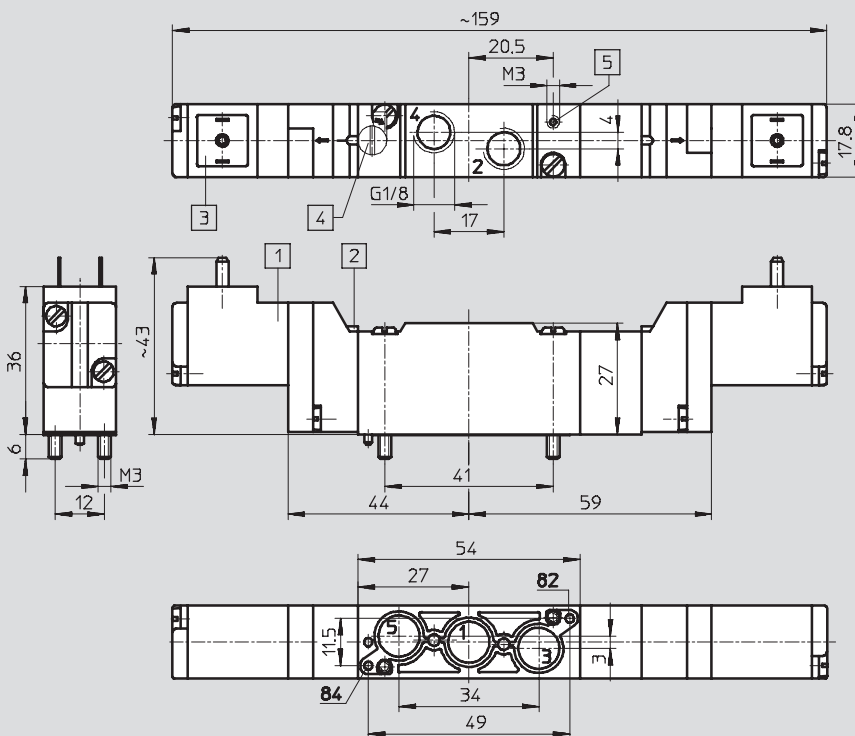
Download CAD data → www.festo.com/en/engineering

Semi in-line valve with thread G $\frac{1}{8}$



- 1 Solenoid coil can be rotated 180°¹⁾
 - 2 Manual override
 - 3 Suitable for terminal sockets to DIN 46 247 or plug sockets MSSD-E type KME type
 - 4 Manual override tool (accessory) AHB-ME-1/8
 - 5 Port for external pilot air on S types
- 1) The seal must not be turned!

Semi in-line valve for manifold PRS-ME



- 1 Solenoid coil can be rotated 180°¹⁾
 - 2 Manual override
 - 3 Suitable for terminal sockets to DIN 46 247 or plug sockets MSSD-E type KME type
 - 4 Manual override tool (accessory) AHB-ME-1/8
 - 5 Port for external pilot air on S types
- 1) The seal must not be turned!

Solenoid valves MEH, midi pneumatics

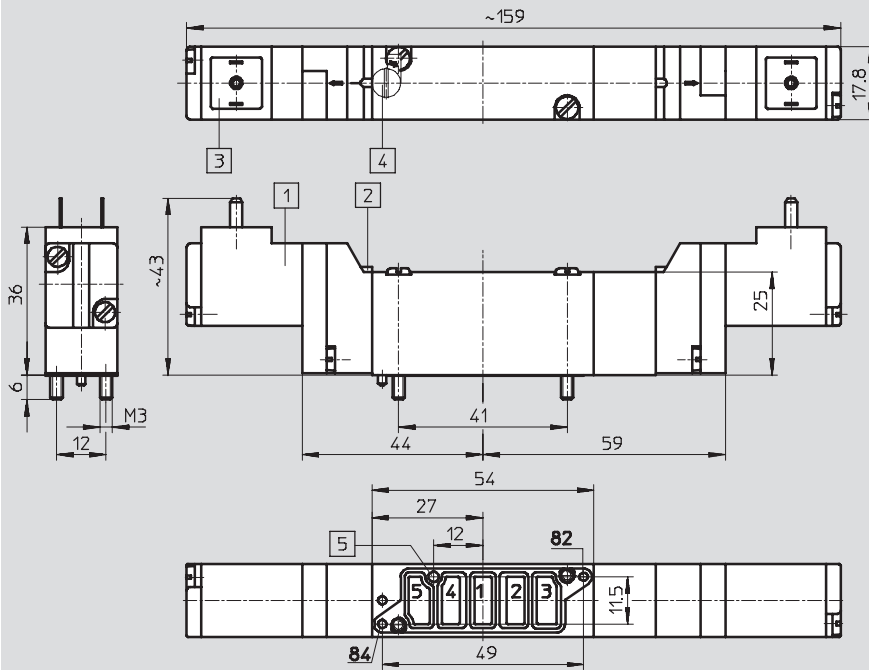
Technical data – 5/3-way valves



Dimensions

Download CAD data → www.festo.com/en/engineering

Sub-base valve



- 1 Solenoid coil can be rotated 180°¹⁾
 - 2 Manual override
 - 3 Suitable for terminal sockets to DIN 46 247 or plug sockets MSSD-E type KME type
 - 4 Manual override tool (accessory) AHB-ME-1/8
 - 5 Port for external pilot air on S types
- 1) The seal must not be turned!

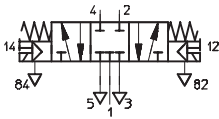
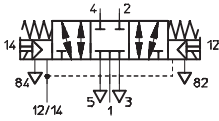
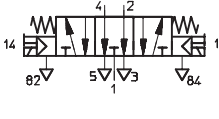
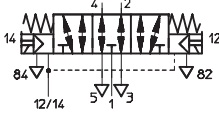
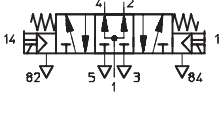
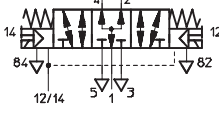
Solenoid valves MEH, midi pneumatics

Technical data – 5/3-way valves



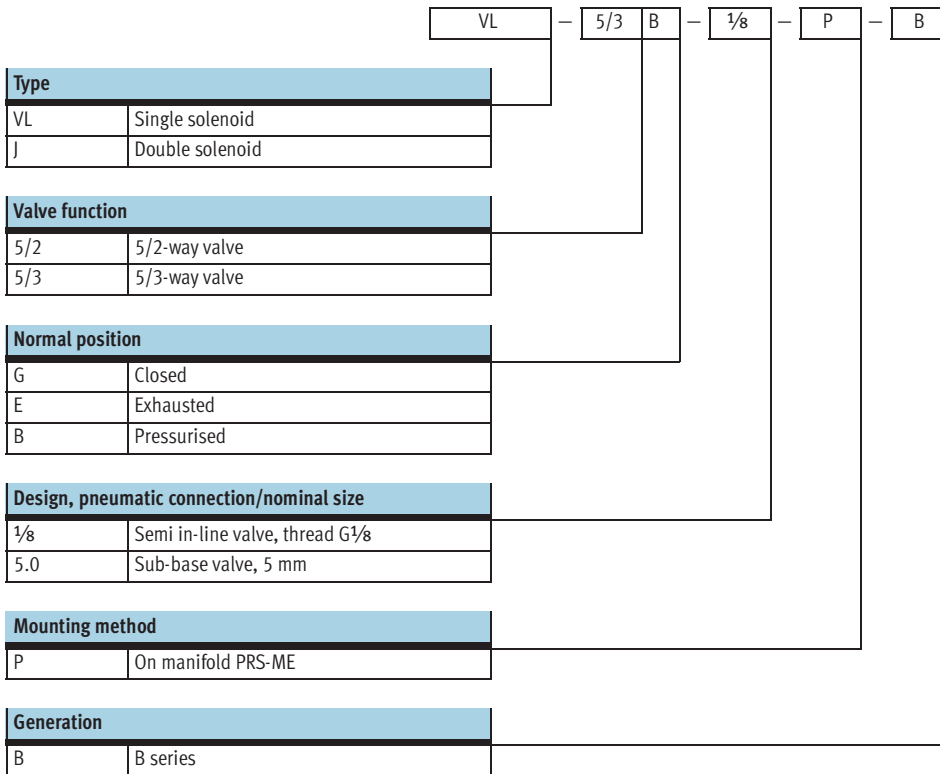
Directional control valves for standard applications
Midi Pneumatic

2.4

Ordering data				
Circuit symbol	Description	Voltage	Part No.	Type
Normally closed, internal pilot air supply				
	Semi in-line valve with thread G1/8	24 V DC	173 139	MEH-5/3G-1/8-B
	Semi in-line valve for manifold PRS-ME		173 141	MEH-5/3G-1/8-P-B
	Sub-base valve		173 140	MEH-5/3G-5,0-B
Normally closed, external pilot air supply				
	Semi in-line valve with thread G1/8	24 V DC	173 142	MEH-5/3G-1/8-S-B
	Semi in-line valve for manifold PRS-ME		173 144	MEH-5/3G-1/8-P-S-B
	Sub-base valve		173 143	MEH-5/3G-5,0-S-B
Normally exhausted, internal pilot air supply				
	Semi in-line valve with thread G1/8	24 V DC	173 145	MEH-5/3E-1/8-B
	Semi in-line valve for manifold PRS-ME		173 147	MEH-5/3E-1/8-P-B
	Sub-base valve		173 146	MEH-5/3E-5,0-B
Normally exhausted, external pilot air supply				
	Semi in-line valve with thread G1/8	24 V DC	173 148	MEH-5/3E-1/8-S-B
	Semi in-line valve for manifold PRS-ME		173 150	MEH-5/3E-1/8-P-S-B
	Sub-base valve		173 149	MEH-5/3E-5,0-S-B
Normally pressurised, internal pilot air supply				
	Semi in-line valve with thread G1/8	24 V DC	173 151	MEH-5/3B-1/8-B
	Semi in-line valve for manifold PRS-ME		173 153	MEH-5/3B-1/8-P-B
	Sub-base valve		173 152	MEH-5/3B-5,0-B
Normally pressurised, external pilot air supply				
	Semi in-line valve with thread G1/8	24 V DC	173 154	MEH-5/3B-1/8-S-B
	Semi in-line valve for manifold PRS-ME		173 156	MEH-5/3B-1/8-P-S-B
	Sub-base valve		173 155	MEH-5/3B-5,0-S-B

Pneumatic valves VL/J, midi pneumatics


Type codes

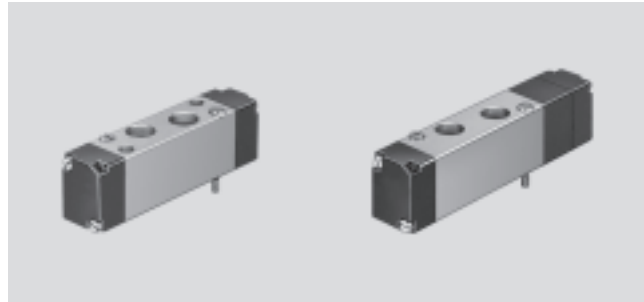


Pneumatic valves VL/J, midi pneumatics

Technical data

FESTO

-  - Flow rate
300 ... 700 l/min



General technical data								
Type		VL-5/2-...	J-5/2-...	VL-5/3...				
Design		Piston spool, directly actuated						
Type of mounting	...-1/8	2 through-holes						
	...-5.0	On sub-base with two M3 screws						
	...-1/8-P	On manifold with two M3 screws						
Pneumatic connection	Working lines	...-1/8	G1/8					
		...-5.0	On sub-base					
	Pilot line	...-1/8-P	G1/8					
			M5					
Nominal size	[mm]	5						
Standard nominal flow rate	1 → 2, 1 → 4	[l/min]	...-1/8	600	650	G	E	B
						500	350	300
			...-5.0	700	700	600	350	300
			...-1/8-P	600	650	500	350	300
Materials		Housing: Aluminium Seals: Nitrile rubber						
Weight	[g]	...-1/8	75	75	95			
		...-5.0	65	65	85			
		...-1/8-P	60	60	80			

Operating and environmental conditions				
Type		VL-5/2-...	J-5/2-...	VL-5/3...
Operating medium		Filtered compressed air, lubricated or unlubricated ¹⁾ Vacuum		
Operating pressure range	[bar]	-0.9 ... +10		
Pilot pressure range	[bar]	2.5 ... 8	1.5 ... 8	3 ... 8
Ambient temperature	[°C]	-5 ... +50		
Temperature of medium	[°C]	-5 ... +50		

1) Only oils of viscosity class 32 may be used for lubricated operation.

Valve response times [ms]			
Type	VL-5/2-...	J-5/2-...	VL-5/3-...
On	6	-	6
Off	24	-	22
Changeover	-	5	-

Pneumatic valves VL/J, midi pneumatics

Technical data – 5/2-way valves

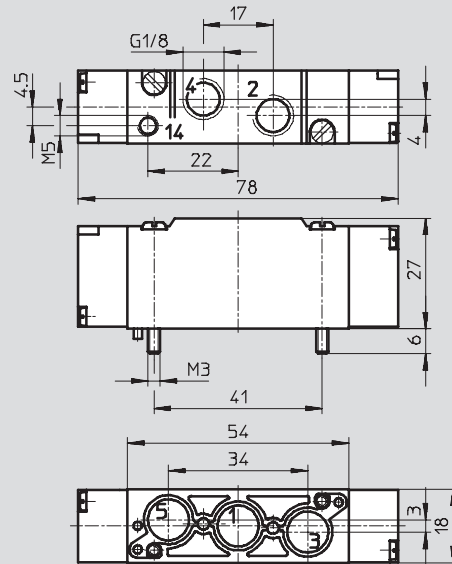
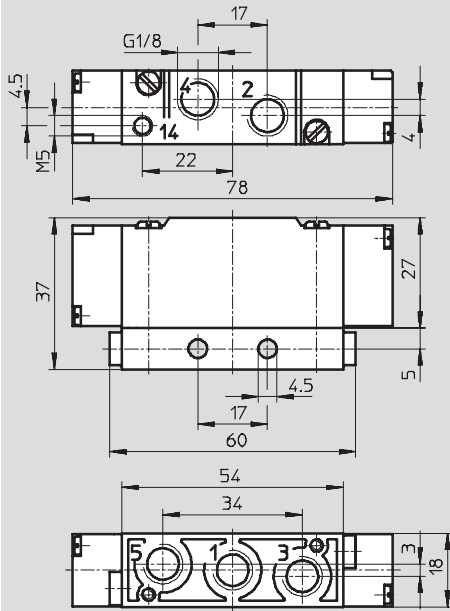


Dimensions

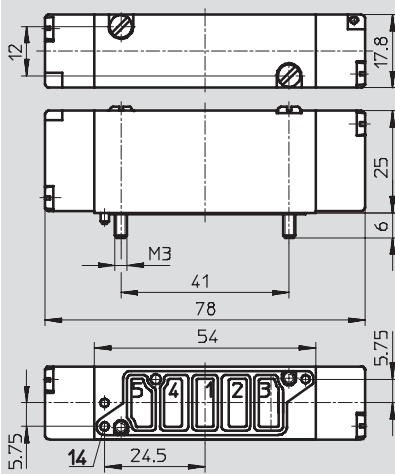
Download CAD data → www.festo.com/en/engineering

Semi in-line valve with thread G1/8

Semi in-line valve for manifold PRS-ME



Sub-base valve



Ordering data

Circuit symbol	Description	Part No.	Type
	Semi in-line valve with thread G1/8	173 168	VL-5/2-1/8-B
	Sub-base valve	173 169	VL-5/2-5,0-B
	Semi in-line valve for manifold PRS-ME	173 170	VL-5/2-1/8-P-B

Directional control valves for standard applications
Midi Pneumatic

2.4

Pneumatic valves VL/J, midi pneumatics

Technical data – 5/2-way valves, double pilot

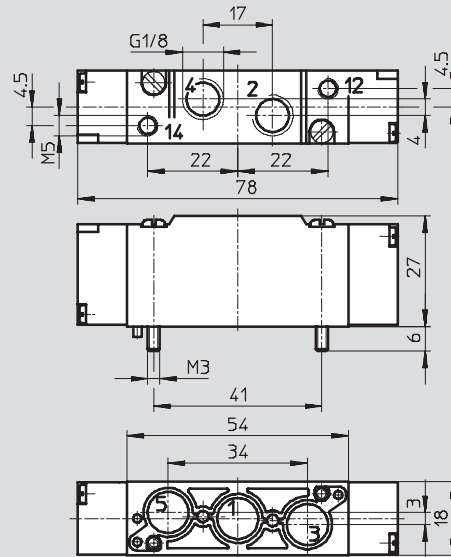
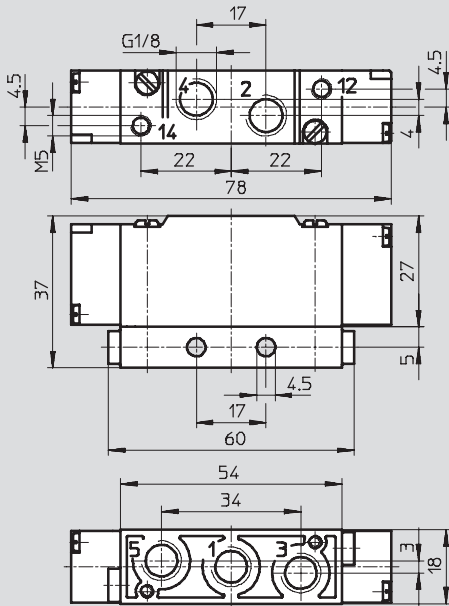


Dimensions

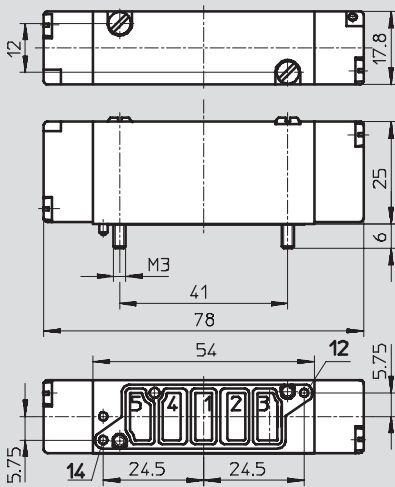
Download CAD data → www.festo.com/en/engineering

Semi in-line valve with thread G1/8

Semi in-line valve for manifold PRS-ME



Sub-base valve



Ordering data

Circuit symbol	Description	Part No.	Type
	Semi in-line valve with thread G1/8	173 171	J-5/2-1/8-B
	Sub-base valve	173 172	J-5/2-5,0-B
	Semi in-line valve for manifold PRS-ME	173 173	J-5/2-1/8-P-B

Pneumatic valves VL/J, midi pneumatics

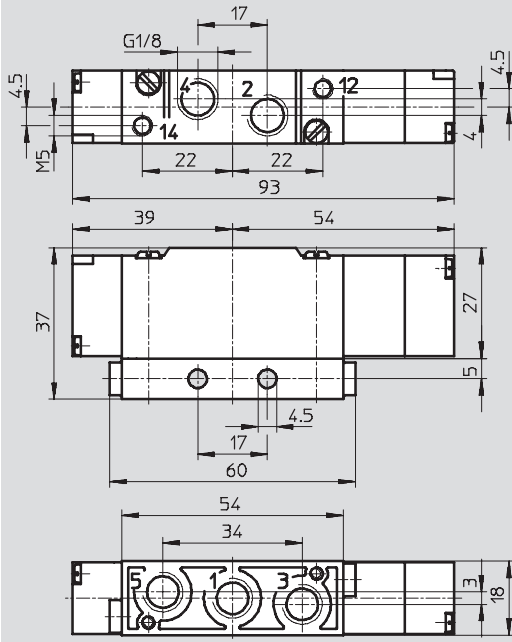
Technical data – 5/3-way valves



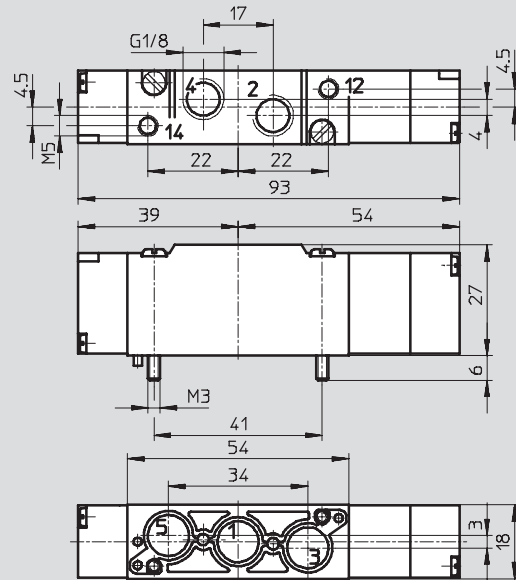
Dimensions

Download CAD data → www.festo.com/en/engineering

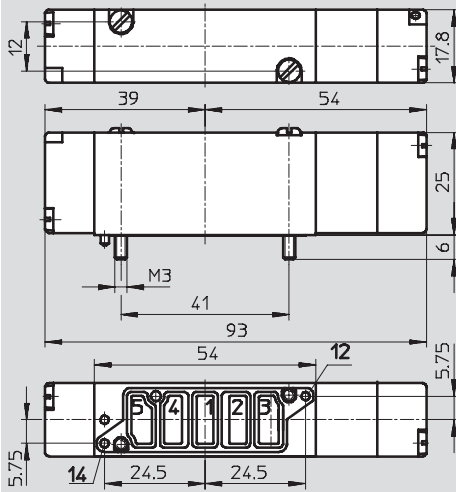
Semi in-line valve with thread G1/8



Semi in-line valve for manifold PRS-ME



Sub-base valve



Directional control valves for standard applications
Midi Pneumatic

2.4

Pneumatic valves VL/J, midi pneumatics

Technical data – 5/3-way valves



Ordering data			
Circuit symbol	Description	Part No.	Type
Normally closed			
	Semi in-line valve with thread G $\frac{1}{8}$	173 174	VL-5/3G-$\frac{1}{8}$-B
	Sub-base valve	173 175	VL-5/3G-5,0-B
	Semi in-line valve for manifold PRS-ME	173 176	VL-5/3G-$\frac{1}{8}$-P-B
Normally exhausted			
	Semi in-line valve with thread G $\frac{1}{8}$	173 177	VL-5/3E-$\frac{1}{8}$-B
	Sub-base valve	173 178	VL-5/3E-5,0-B
	Semi in-line valve for manifold PRS-ME	173 179	VL-5/3E-$\frac{1}{8}$-P-B
Normally pressurised			
	Semi in-line valve with thread G $\frac{1}{8}$	173 180	VL-5/3B-$\frac{1}{8}$-B
	Sub-base valve	173 181	VL-5/3B-5,0-B
	Semi in-line valve for manifold PRS-ME	173 182	VL-5/3B-$\frac{1}{8}$-P-B

Solenoid/pneumatic valves, midi pneumatics

Accessories



Individual sub-bases
AS, AU

Material:
Die-cast aluminium

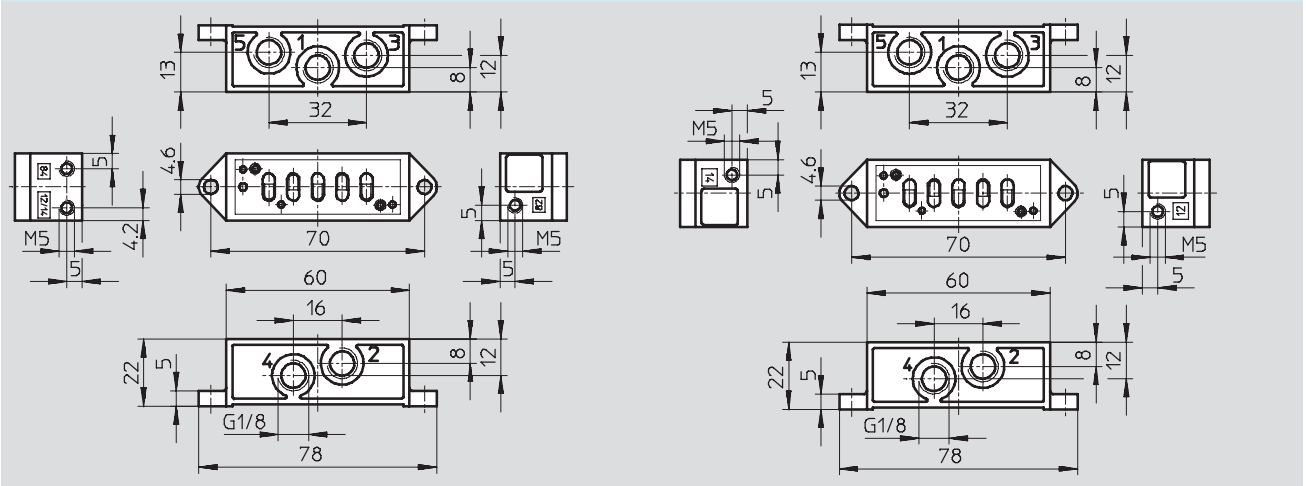


Dimensions – Individual sub-bases

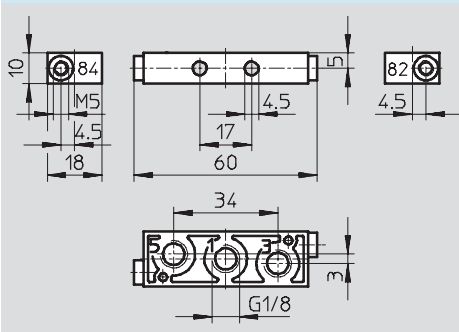
Download CAD data → www.festo.com/en/engineering

AS-ME-1/8

AS-VL-1/8



AU-ME-1/8



Ordering data

Brief description		Pneumatic connection		Weight [g]	Part No.	Type
		1, 2, 3, 4, 5	82, 84			
For solenoid valves	Connection at side	G1/8	M5	50	33 405	AS-ME-1/8
For pneumatic valves				50	152 803	AS-VL-1/8
For valves type ...-1/8-P	Connection underneath			15	32 797	AU-ME-1/8

Directional control valves for standard applications
Midi Pneumatic

2.4

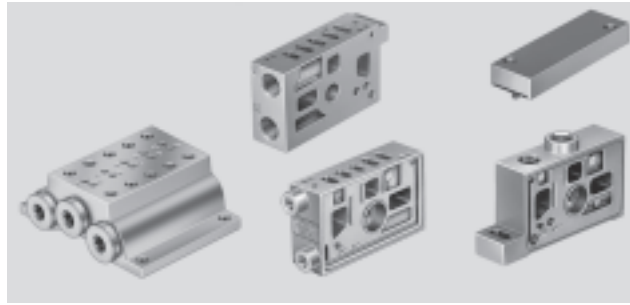
Solenoid/pneumatic valves, midi pneumatics

Accessories



Series sub-bases
AW, EP, ZP

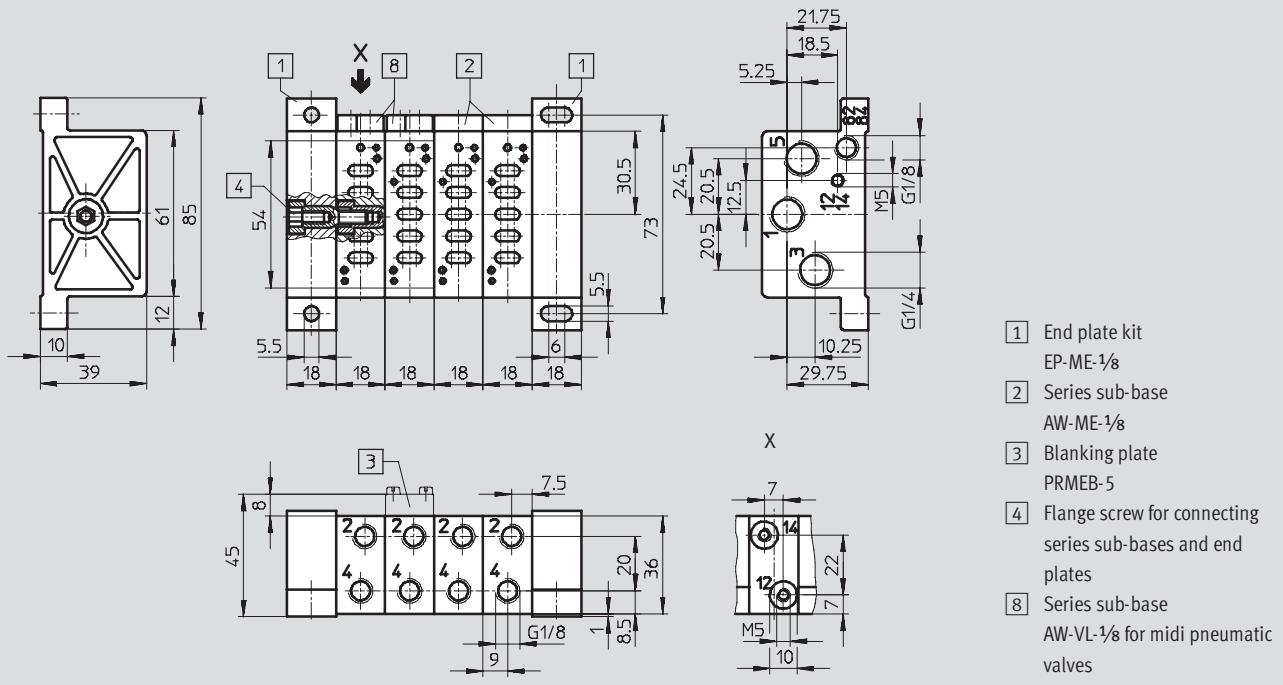
Material:
Die-cast aluminium



Dimensions

Download CAD data → www.festo.com/en/engineering

Manifold mounting



Ordering data

Designation	Brief description	Scope of delivery	Weight [g]	Part No.	Type
Series sub-base	For solenoid valves	1 sub-base, seals and fastening screws	75	33 406	AW-ME-1/8
	For pneumatic valves			152 801	AW-VL-1/8
Blanking plate for spare positions	-	-	-	31 798	PRMEB-5
End plate kit	-	2 end plates, seals and fastening screws	160	33 407	EP-ME-1/8
Intermediate plate	With additional P connection	-	95	152 592	ZP-ME-1/8-P
	With separate P connection to form pressure zones			152 591	ZP-ME-1/8-Z

Solenoid/pneumatic valves, midi pneumatics



Accessories

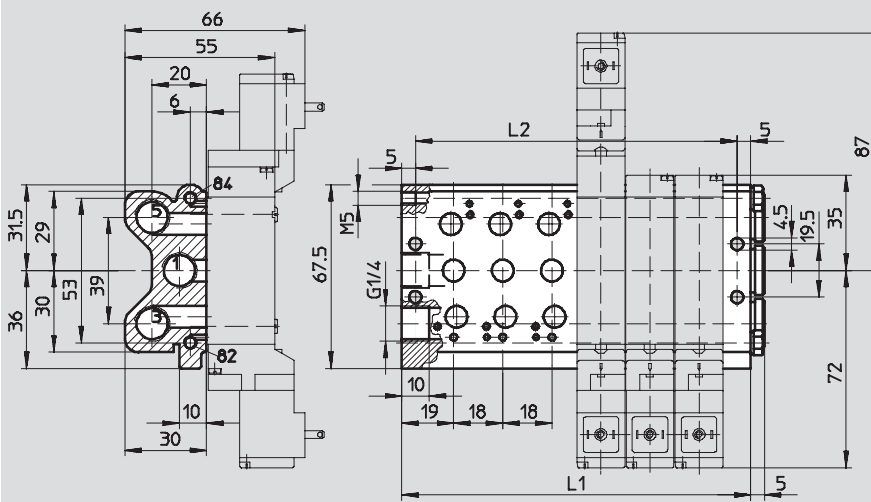
Manifold PRS-ME

Material:
Die-cast aluminium



Dimensions

Download CAD data → www.festo.com/en/engineering



Number of valve positions	L1	L2
2	56	46
3	74	64
4	92	82

Number of valve positions	L1	L2
5	110	100
6	128	118
7	146	136

Number of valve positions	L1	L2
8	164	154
9	182	172
10	200	190

Ordering data – Manifold block			Number of valve positions	Weight [g]	Part No.	Type
Pneumatic connection						
1, 3, 5	2, 4	82, 84				
G $\frac{1}{4}$	G $\frac{1}{8}$ on valve	M5	2	200	33 408	PRS-ME- $\frac{1}{8}$ -2
			4	300	33 409	PRS-ME- $\frac{1}{8}$ -4
			6	430	33 410	PRS-ME- $\frac{1}{8}$ -6
			8	540	33 411	PRS-ME- $\frac{1}{8}$ -8
			10	680	33 412	PRS-ME- $\frac{1}{8}$ -10

Ordering data – Blanking plate			Part No.	Type
Brief description				
Blanking plate for spare positions			31 799	PRSB-ME- $\frac{1}{8}$

- - Note

For combined assembly of series sub-bases

AW-ME- $\frac{1}{8}$ and AW-VL- $\frac{1}{8}$, the following assembly sequence must be observed:

1. End plate with air supply	3. Series sub-bases for pneumatic valves
2. Series sub-bases for solenoid valves	4. End plate with flange screw

Directional control valves for standard applications
Midi Pneumatic

2.4



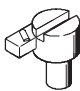
Solenoid/pneumatic valves, midi pneumatics



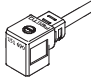
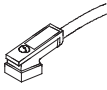

Accessories

FESTO

Directional control valves for standard applications
Midi Pneumatic

2.4

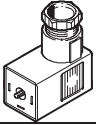
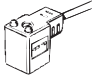

Ordering data			
	Brief description	Part No.	Type
Push-in/threaded fittings QS			
	-		→ Volume 3
Silencers			
	-		→ Volume 3
Manual override tool, detenting			Technical data → 2 / 7.6-1
	For midi valves MEH, MOEH, JMEH	152 797	AHB-ME-1/8

Ordering data – Plug sockets, plug sockets with cable, illuminating seal for EB solenoid coils					
	Voltage	Cable length [m]	Switching status display with LED	Part No.	Type
Plug socket without cable					Technical data → 2 / 7.2-12
	-	-	-	151 687	MSSD-EB
	-	-	-	539 712	MSSD-EB-M12
Plug socket without cable with insulation displacement technology					Technical data → 2 / 7.2-12
	-	-	-	192 745	MSSD-EB-S-M14
PVC plug socket with cable					Technical data → 2 / 7.3-27
	24 V DC	2.5	■	151 688	KMEB-1-24-2,5-LED
	24 V DC	5	■	151 689	KMEB-1-24-5-LED
	24 V DC	10	■	193 457	KMEB-1-24-10-LED
	Up to 240 V	2.5	-	151 690	KMEB-1-230AC-2,5
	Up to 240 V	5	-	151 691	KMEB-1-230AC-5
PUR plug socket with cable					Technical data → 2 / 7.3-27
	24 V DC	2.5	■	174 844	KMEB-2-24-2,5-LED
	24 V DC	5	■	174 845	KMEB-2-24-5-LED
	Up to 240 V	2.5	-	174 846	KMEB-2-230-2,5
	Up to 240 V	5	-	174 847	KMEB-2-230-5
Illuminating seal					Technical data → 2 / 7.4-1
	12 ... 24 V DC	-	-	151 717	MEB-LD-12-24DC
	230 V AC	-	-	151 718	MEB-LD-230AC

Solenoid/pneumatic valves, midi pneumatics

Accessories



Ordering data – Plug sockets, plug sockets with cable, illuminating seal for E solenoid coils					
	Voltage	Cable length [m]	Switching status display with LED	Part No.	Type
Plug socket without cable					Technical data → 2 / 7.2-12
	–	–	–	14 098	MSSD-E
				539 711	MSSD-E-M12
Plug socket with cable					Technical data → 2 / 7.3-27
	24 V DC	2.5	■	30 943	KME-1-24DC-2,5-LED
		5	■	30 945	KME-1-24DC-5-LED
		10	■	193 455	KME-1-24DC-10-LED
Illuminating seal					Technical data → 2 / 7.4-1
	24 V DC	–	–	19 141	ME-LD-12-24DC

Directional control valves for standard applications
Midi Pneumatic

2.4

