

Pneumatic Terminal

with Indicator

Type LT-2-PK-3-DA

for 3/16 in / 3 mm Tube

Type LT-2-PK-4-DA

for 1/4 in / 4 mm Tube

End Clamp (2 pieces)

Type LTE

Pneumatic terminals are mounted at control unit inputs or outputs to indicate incoming or outgoing signals.

Each pneumatic terminal has two barbed fittings with direct passage, including a built-in pressure indicator. For labeling, a groove is provided to accommodate Type BZ labels. Pneumatic terminals are fastened to Type NRC mounting rails.

Distributor Segment

Type LTV-2-PK-3

LTV-2-PK-4

Distributor End Piece Kit

Type LTE-1/4-DA

The distributor segments can be easily interconnected and are secured to the mounting rail with the end pieces.

A maximum of 15 distributor segments with a common air supply may be mounted together. Sections may be combined in any way desired. Each segment has a groove to accommodate Type BZ labels. A pressure indicator is built into one of the end pieces.

Accessories:

Mounting Rail

Type NRC-32-2000

G-Rail for DIN EN 50035

See page 555

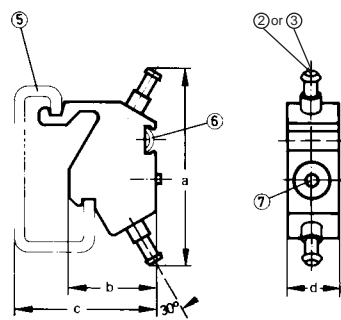
Identification Labels

Type BZ-NUM-1-50

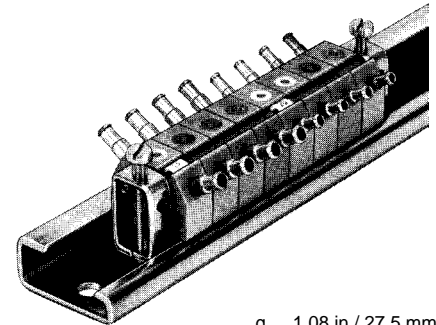
Type BZ-NUM-51-100

See page 556

Type LT-2-PK-...



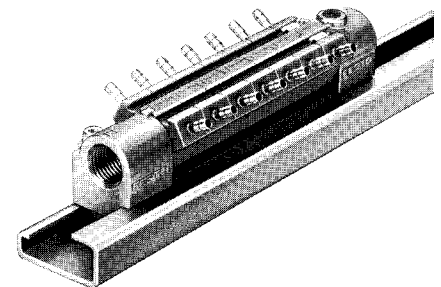
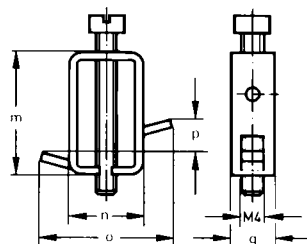
- ① Max. no. of distributor sections = 15
- ② Barbed fitting for 3/16 in / 3 mm tubing
- ③ Barbed fitting for 1/4 in / 4 mm tubing
- ④ End pieces, Type LTE-1/4-DA
- ⑤ Mounting rail, Type NRC-32-2000 (order separately)
- ⑥ Label groove
- ⑦ Pressure indicator



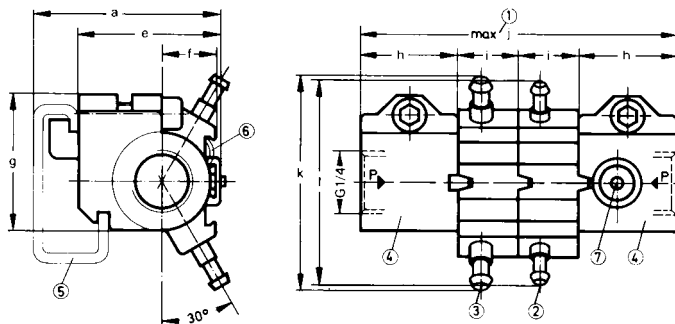
Dimensions

a	1.50 in / 38 mm	g	1.08 in / 27.5 mm
b	0.67 in / 17 mm	h	0.79 in / 20 mm
c	1.06 in / 27 mm	i	0.47 in / 12 mm
d	0.39 in / 10 mm	j	8.66 in / 220 mm
e	1.14 in / 29 mm	k	1.73 in / 44 mm
f	0.43 in / 11 mm	l	1.65 in / 42 mm
		m	0.91 in / 23 mm
		n	0.55 in / 14 mm
		o	0.98 in / 25 mm
		p	0.24 in / 6 mm
		q	0.31 in / 8 mm

Type LTV



Type LTV-...
LTE-1/4-DA



Order Number	Part No./ Type	5866 LT-2-PK-3-DA	5869 LT-2-PK-4-DA	6847 LTV-2-PK-3	6848 LTV-2-PK-4	6849 LTE-1/4-DA	8637 LTE	
Medium		Compressed air (filtered, lubricated or unlubricated)						
Design		Pneumatic terminal with pressure indicator			Distributor segment		Distributor end piece kit	End clamp (pair)
Mounting		Snaps onto Type NRC-32 mounting rail					Clamps in mounting rail	
Connection		Barbed fitting for plastic tubing			Thread		G 1/4 ISO	
		3/16 in / 3 mm	1/4 in / 4 mm	3/16 in / 3 mm	1/4 in / 4 mm	-		
Orifice Size		0.09 in / 2.4 mm	0.13 in / 3.4 mm	0.09 in / 2.4 mm	0.13 in / 3.4 mm	0.39 in / 10 mm		
C _v Factor		0.175 C _v / 175 l/min	0.37 C _v / 370 l/min	-				
Pressure Range *		1.5 to 120 psi / 0.1 to 8 bar					-	
Materials		Housing: Plastic; Barbed fittings: Brass				Plastic, Al		Steel
Weight		0.011 lb / 0.005 kg	0.013 lb / 0.006 kg	0.015 lb / 0.006 kg	0.013 lb / 0.007 kg	0.110 lb / 0.050 kg	0.022 lb / 0.010 kg	

* 14 to 140°F / -10 to +60°C

Festo - Your Partner in Automation



1 Festo Inc.
5300 Explorer Drive
Mississauga, ON L4W 5G4
Canada

Festo Customer Interaction Center
Tel: 1 877 463 3786
Fax: 1 877 393 3786
Email: customer.service.ca@festo.com



2 Festo Pneumatic
Av. Ceylán 3,
Col. Tequesquináhuac
54020 Tlalnepantla,
Estado de México

Multinational Contact Center
01 800 337 8669
ventas.mexico@festo.com



3 Festo Corporation
1377 Motor Parkway
Suite 310
Islandia, NY 11749

Festo Customer Interaction Center
1 800 993 3786
1 800 963 3786
customer.service.us@festo.com



4 Regional Service Center
7777 Columbia Road
Mason, OH 45040

Connect with us



www.festo.com/socialmedia



www.festo.com

Subject to change