

Filter silencer LFU

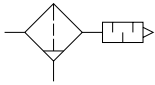
FESTO






FESTO
LFU-11A
330437 01(006)
70x115x30
240PSI/1.6MPa

Datasheet

Function



-  Flow rate
4000 ... 12500 l/min
-  Temperature range
-10 ... +60°C
-  Operating pressure
0 ... 1.6 MPa



The filter silencer cleans the collected exhaust air from pneumatic control systems. The exhaust air escapes into the atmosphere via a fine filter insert (filter efficiency > 99.99%).

At the same time, the noise from the exhaust air is greatly reduced. Any condensate is collected in the lower plastic bowl and can be drained off via the condensate drain.

- Removes up to 99.99% of oil and other contaminants from exhaust air
- The silencer reduces the exhaust noise regardless of frequency

General technical data

Size	G1/4	G3/8	G1/2	G1
Pneumatic connection	G1/4	G3/8	G1/2	G1
Mounting position	Vertical ±5°			
Grade of filtration [µm]	1			
Condensate drain	Manual			
Flow rate with respect to atmosphere ¹⁾ [l/min]	≥4000	≥4700	6000	12500
Noise reduction ¹⁾	Reduction by 40 dB(A)			-

1) At 0.6 MPa with respect to atmosphere.

† Note: This product conforms to ISO 1179-1 and ISO 228-1.

Operating and environmental conditions

Size	G1/4	G3/8	G1/2	G1
Operating pressure	[MPa]	0 ... 1.6		
	[bar]	0 ... 16		
	[psi]	0 ... 232		
Operating medium	Compressed air to ISO 8573-1:2010 [7:4:4]			
Note on the operating/pilot medium	Lubricated operation possible (in which case lubricated operation will always be required)			
Ambient temperature [°C]	-10 ... +60		-	
Corrosion resistance class CRC ¹⁾	2		1	

1) Corrosion resistance class CRC 1 to Festo standard FN 940070

Low corrosion stress. Dry internal application or transport and storage protection. Also applies to parts behind covers, in the non-visible interior area, or parts which are covered in the application (e.g. drive trunnions).

Corrosion resistance class CRC 2 to Festo standard FN 940070

Moderate corrosion stress. Indoor applications in which condensation can occur. External visible parts with primarily decorative surface requirements which are in direct contact with a normal industrial environment.

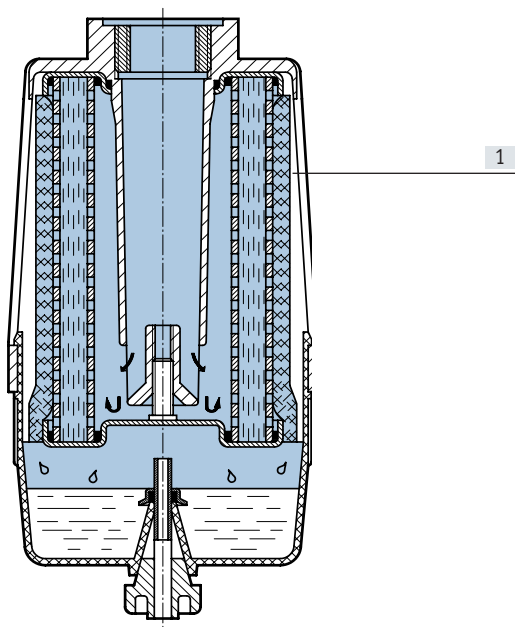
Weight [g]

Size	G1/4	G3/8	G1/2	G1
Filter silencer	190	190	-	-

Datasheet

Materials

Sectional view

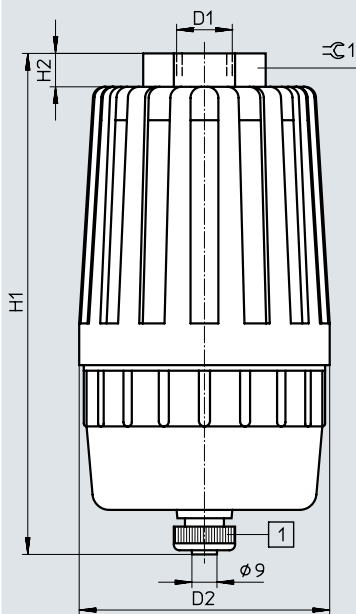


Filter silencer		
[1]	Housing	PP
Note on materials		RoHS-compliant
		Free of copper and PTFE

Dimensions and ordering data

Download CAD data → www.festo.com

[1] Condensate drain manual



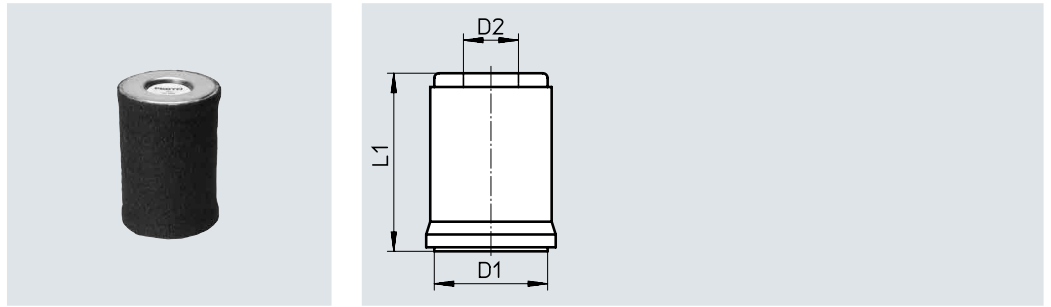
Connection	D1	D2	H1	H2	$\approx \ominus 1$	Part no.	Type
G1/4	G1/4	77	131	7	26	539132	LFU-1/4
G3/8	G3/8	77	131	7	26	539133	LFU-3/8
G1/2	G1/2	90	180	12	36	10494	LFU-1/2
G1	G1	110	252	15	50	10495	LFU-1

Note: This product conforms to ISO 1179-1 and ISO 228-1.

Accessories

Filter cartridge LFPU

Note on materials:
 RoHS-compliant
 Free of copper and PTFE



Dimensions and ordering data

For connection	D1 ø	D2 ø	L1	Part no.	Type
G1/4, G3/8	60	28	69	539134	LFPU-1/4-3/8
G1/2	70	34.8	110	10496	LFPU-1/2
G1	82	42.8	180	10497	LFPU-1

Festo - Your Partner in Automation



1 Festo Inc.
5300 Explorer Drive
Mississauga, ON L4W 5G4
Canada

Festo Customer Interaction Center
Tel: 1 877 463 3786
Fax: 1 877 393 3786
Email: customer.service.ca@festo.com

2 Festo Pneumatic
Av. Ceylán 3,
Col. Tequesquináhuac
54020 Tlalnepantla,
Estado de México

Multinational Contact Center
01 800 337 8669
ventas.mexico@festo.com

3 Festo Corporation
1377 Motor Parkway
Suite 310
Islandia, NY 11749

Festo Customer Interaction Center
1 800 993 3786
1 800 963 3786
customer.service.us@festo.com

4 Regional Service Center
7777 Columbia Road
Mason, OH 45040

Connect with us



www.festo.com/socialmedia



www.festo.com

Subject to change