

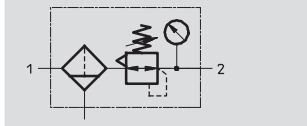
LFR Filter/Regulators – D Series, NPT

Technical Data

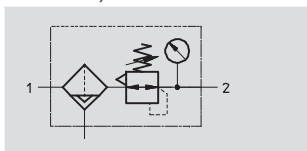
Function

LFR...-D-...

Condensate drain manual



semi- or fully automatic



Flow rate

110 ... 11,000 l/min

Temperature range

-10 ... +60 °C

Pressure

1 ... 16 bar



- Space-saving design with filter and regulator in a single unit
- Good particle separation and high flow rate
- Good regulating characteristics with minimal hysteresis
- Two pressure regulation ranges: 0.5 ... 7 bar and 0.5 ... 12 bar
- Two pressure gauge connections for flexible installation
- With manual, semi-automatic or fully automatic condensate drain
- Setting values are secured by locking the rotary knob
- Choice of filter cartridges: 5 µm or 40 µm
- Filter cartridges → lfp
- Pressure sensor (optional) → pev

General technical data										
Size	Micro	Mini	Midi				Maxi			
Pneumatic connection	1/8 NPT	1/8 NPT	1/4 NPT	3/8 NPT	3/8 NPT	1/2 NPT	3/4 NPT	3/4 NPT	1 NPT	
Operating medium	Compressed air									
Design	Directly actuated diaphragm regulator							Pilot actuated piston regulator		
								Directly actuated diaphragm regulator		
Type of mounting	Via accessories									
	In-line installation									
	Front panel mounting									
Assembly position	Vertical ±5°									
Grade of filtration [µm]	5	5 or 40								
Max. hysteresis [bar]	0.3	0.2						0.4		
Pressure regulation range [bar]	0.5 ... 7	0.5 ... 7								
		0.5 ... 12								
Pressure indication	Via pressure gauge									
Port connection	M5	G1/8				G1/4		G1/4		
Max. condensate volume [cm ³]	3	22				43		80		
Input pressure [bar]										
Condensate drain	Manual	1 ... 10		1 ... 16						
	Semiautomatic	1 ... 10		-						
	Fully automatic	-		2 ... 12						

Note: This product conforms to ISO 1179-1 and ISO 228-1

LFR Filter/Regulators – D Series, NPT

Technical Data



Standard nominal flow rate ¹⁾ qnN [l/min]	
Connection	Port block
	1/8 NPT
Micro	
LFR	410

Standard nominal flow rate ¹⁾ qnN [l/min]						
Connection	1/8 NPT	1/4 NPT	3/8 NPT	1/2 NPT	3/4 NPT	1 NPT
Mini						
LFR-...-D-...	750	1400	1600	–	–	–
LFR-...-D-7-...	900	1500	1700	–	–	–
LFR-...-D-5M-...	650	1200	1350	–	–	–
Midi						
LFR-...-D-...	–	2000	3100	3400	3400	–
LFR-...-D-7-...	–	2100	3200	3900	4000	–
LFR-...-D-5M-...	–	1600	2400	2600	2600	–
Maxi						
LFR-...-D-...	–	–	–	9400	9700	10000
LFR-...-D-7-...	–	–	–	9500	10000	11000
LFR-...-D-5M-...	–	–	–	7500	7600	8000

Ambient conditions				
Size	Micro	Mini	Midi	Maxi
Ambient temperature [°C]	–10 ... +60			
Temperature of medium [°C]	–10 ... +60			
Corrosion resistance class CRC ²⁾	2			

1) Measured at p₁ = 10 bar, p₂ = 6 bar and Δp = 1 bar.

2) Corrosion resistance class 2 according to Festo standard 940 070

Components requiring moderate corrosion resistance. Externally visible parts with primarily decorative surface requirements which are in direct contact with a normal industrial environment or media such as coolants or lubricating agents.

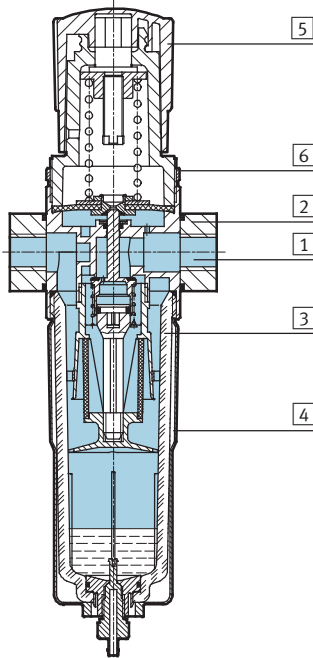
Weight [g]						
Size	Micro		Mini	Midi	Maxi	
	Female thread	Port block			Connection 3/4 NPT	Connection 1 NPT
With pressure gauge						
LFR-...	74	94	460	920	1370	1470
LFR-...-DI	–	–	–	–	1670	1670
LFRS-...	–	–	560	1160	1470	1570
LFRS-...-DI	–	–	–	–	1950	1950
Without pressure gauge						
LFR-...	64	84	410	830	1300	1400
LFR-...-DI	–	–	–	–	1600	1600
LFRS-...	–	–	510	1070	1400	1500
LFRS-...-DI	–	–	–	–	1880	1880

LFR Filter/Regulators – D Series, NPT

Technical Data

Materials

Sectional view



Filter regulator	Micro	Mini/Midi/Maxi
1 Housing	Wrought aluminum alloy	Die-cast zinc
2 Port blocks	Wrought aluminum alloy	Die-cast zinc/aluminum
3 Bowl	Polycarbonate	Polycarbonate
4 Metal bowl guard	–	Aluminum
5 Regulating knob	Polyacetal	Polyacetal
6 Knurled nut	Wrought aluminum alloy	Aluminum
– Seals	Nitrile rubber	Nitrile rubber

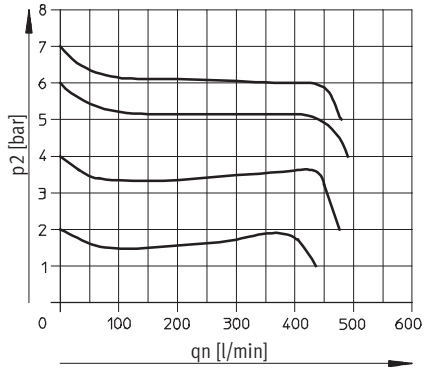
LFR Filter/Regulators – D Series, NPT

Technical Data

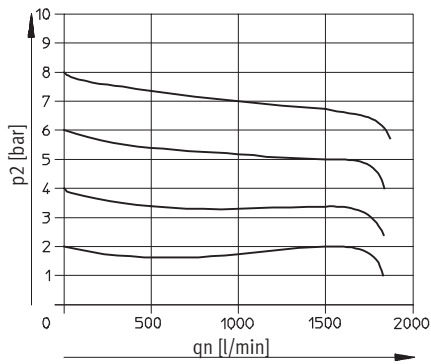


Standard flow rate q_n as a function of the output pressure p_2

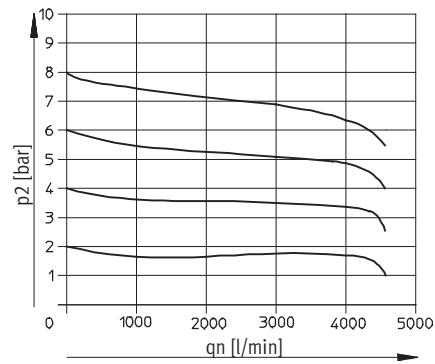
LFR-QS6-...-MICRO and LFR-1/8-...-MICRO



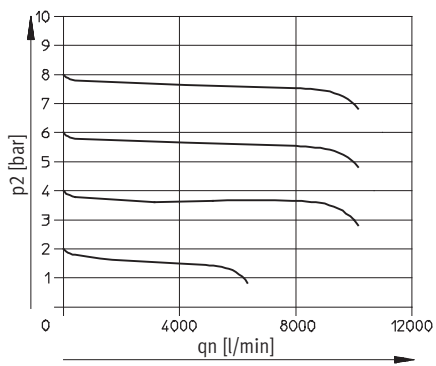
LFR-1/4-D-MINI



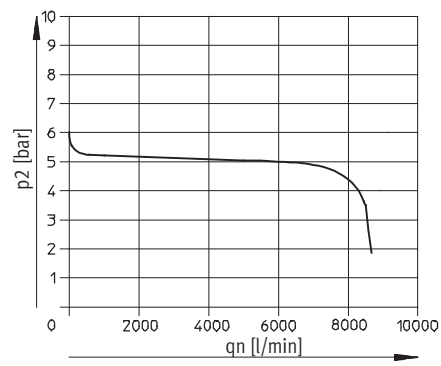
LFR-1/2-D-MIDI



LFR-1-D-MAXI



LFR-1-D-DI-MAXI



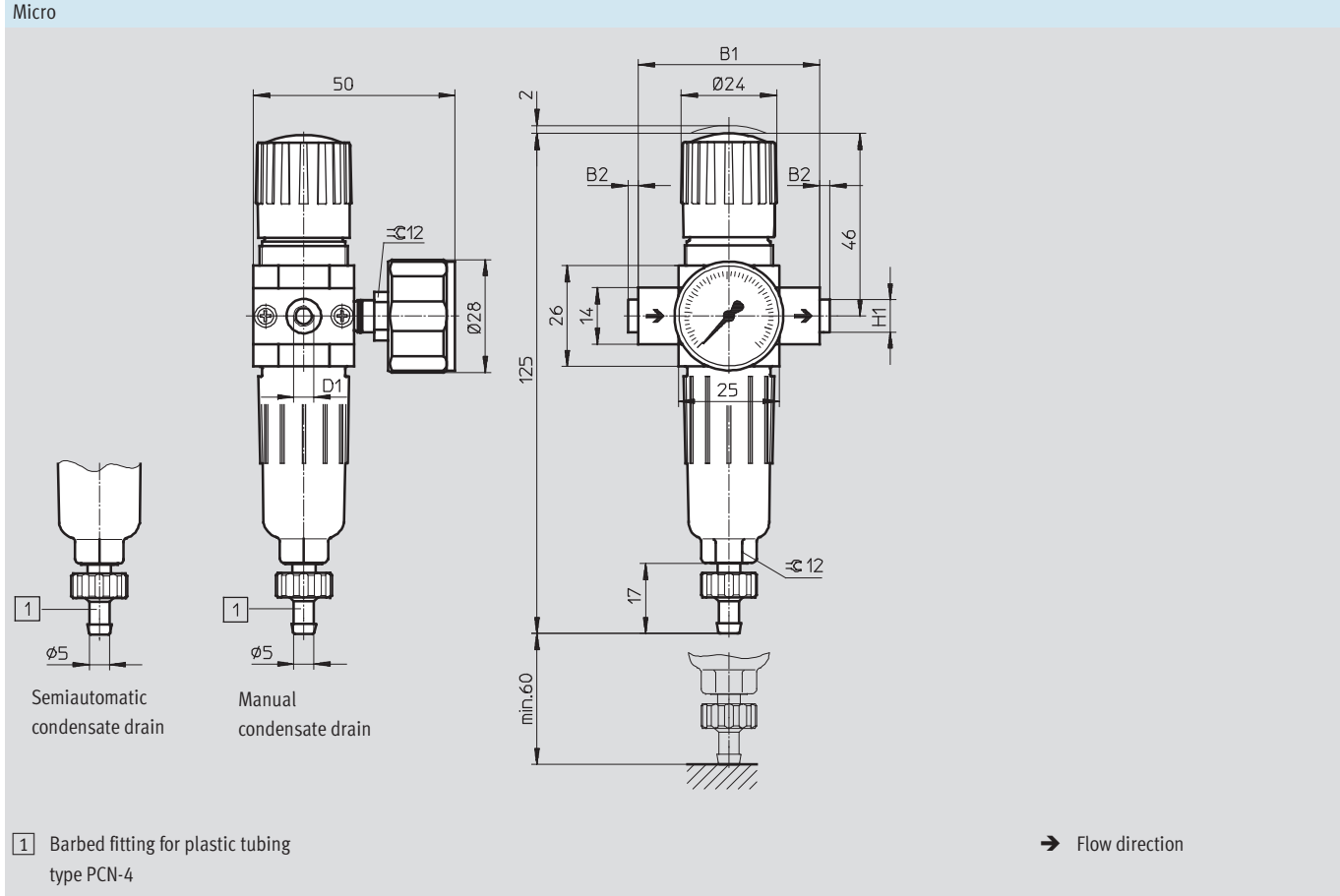
Primary pressure $p_1 = 10$ bar

LFR Filter/Regulators – D Series, NPT

Technical Data – Dimensional Drawings



Dimensions Download CAD Data → www.festo.com/us/cad



Type	B1	B2	D1	H1
LFR-1/8-...-MICRO (H)	45	-	1/8NPT	-

Note: This product conforms to ISO 1179-1 and ISO 228-1

LFR Filter/Regulators – D Series, NPT

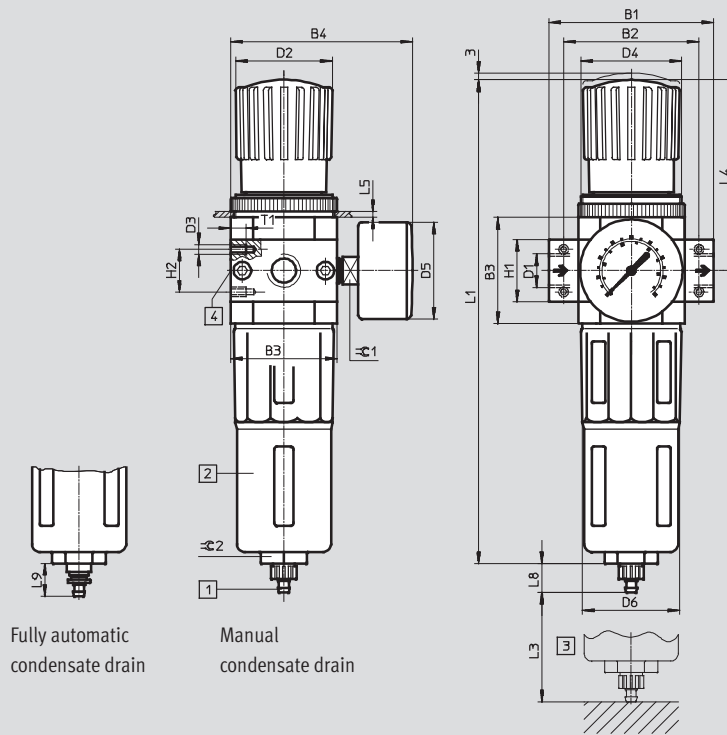
Technical Data – Dimensional Drawings



Dimensions

Download CAD Data → www.festo.com/us/cad

Mini/Midi/Maxi



Fully automatic condensate drain

Manual condensate drain

1 Barbed fitting for plastic tubing type PCN-4

2 Metal bowl guard
3 Installation dimensions

4 Second pressure gauge connection

→ Flow direction

LFR Filter/Regulators – D Series, NPT

Technical Data– Dimensional Drawings

Type	B1	B2	B3	B4	D1	D2 ∅	D3	D4	D5 ∅	D6 ∅
Mini										
LFR-1/8-D-MINI (A) (NPT)	64	52	40	76	1/8 NPT	31	M4	M36x1.5	41	38
LFR-1/4-D-MINI (A) (NPT)					1/4 NPT					
LFR-3/8-D-MINI (A) (NPT)	70	3/8 NPT								
Midi										
LFR-3/8-D-MIDI (A) (NPT)	85	70	55	95	3/8 NPT	50	M5	M52x1.5	50	52
LFR-1/2-D-MIDI (A) (NPT)					1/2 NPT					
LFR-3/4-D-MIDI (A) (NPT)					3/4 NPT					
Maxi										
LFR-3/4-D-MAXI (A) (NPT)	96	80	66	107	3/4 NPT	31	M5	M36x1.5	50	65
LFR-1-D-MAXI (A) (NPT)	116	91			1 NPT	31		M36x1.5		

Note: This product conforms to ISO 1179-1 and ISO 228-1

Type	H1	H2	L1	L3	L4	L5 max.	L6	L7	L8	L9	T1	≈C 1	≈C 2
Mini													
LFR-1/8-D-MINI (A) (NPT)	20	11	193	60	68	3	98	60	15	19	7	14	22
LFR-1/4-D-MINI (A) (NPT)													
LFR-3/8-D-MINI (A) (NPT)													
Midi													
LFR-3/8-D-MIDI (A) (NPT)	32	22	250	80	99	5	130	60	15	19	8	14	24
LFR-1/2-D-MIDI (A) (NPT)													
LFR-3/4-D-MIDI (A) (NPT)													
Maxi													
LFR-3/4-D-MAXI (A) (NPT)	32	22	252	90	82	4	111	60	15	19	8	14	24
LFR-1-D-MAXI (A) (NPT)	40		252		82		111						

LFR/LFRS Filter/Regulators – D Series, NPT

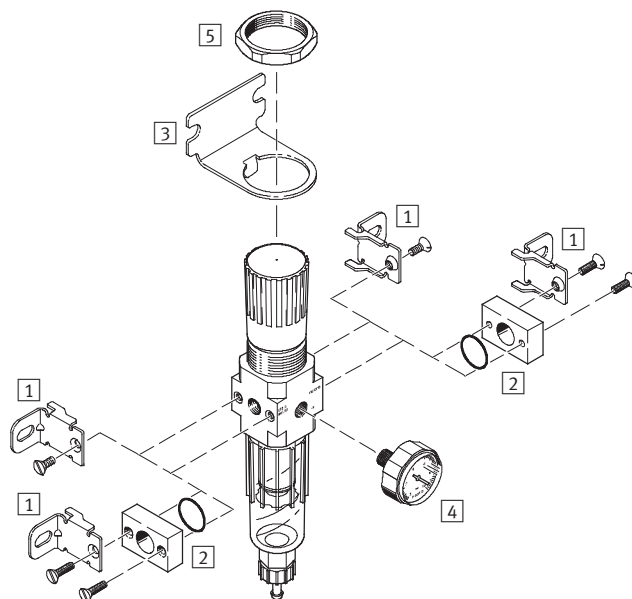
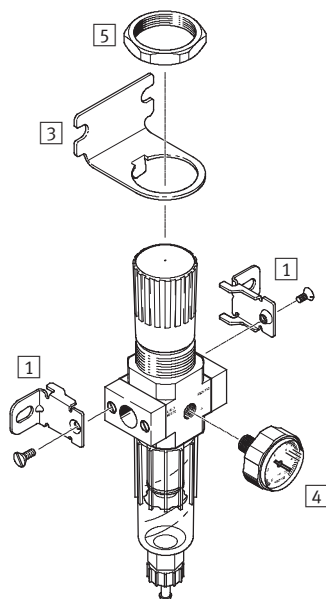
Accessories Overview



Micro

Individual unit with port blocks, connection size 1/8 NPT

Individual unit without port blocks, for combination unit connection size M5 or M7 in housing



Mounting attachments and accessories

	Individual unit		Combination		→ Page/Internet
	with port blocks	without port blocks	with port blocks	without port blocks	
1 Mounting bracket HFOE	■	■	■	■	hfoe
2 Port block kit PBL	-	■	-	■	pbl
3 Mounting bracket HRS	■	■	■	■	hrs
4 Pressure gauge MA-27	■	■	■	■	ma
5 Hexagon nut (included in scope of delivery) HMR	■	■	■	■	hmr

Note

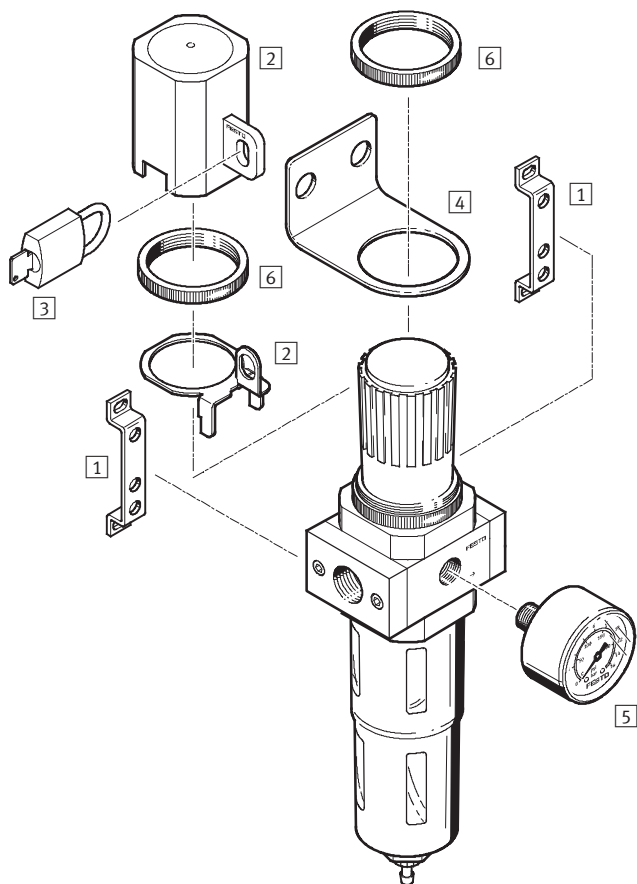
For Custom Combinations → FAST Program Selector Guide starting page 13

LFR/LFRS Filter/Regulators – D Series, NPT

Accessories Overview

Mini/Midi/Maxi

Filter regulator LFR



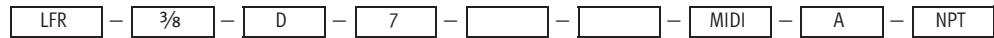
Mounting attachments and accessories		
	Rotary knob with detent	→ Page/Internet
1 Mounting bracket HFOE	■	hfoe
2 Regulator lock LRVS	■	lrvs
3 Padlock LRVS-D	■	Lrvs-d
4 Mounting bracket HR-D	■	hr
5 Pressure gauge MA	■	ma
6 Knurled nut (included in scope of delivery) HMR	■	hmr

Note

For Custom Combinations → FAST Program Selector Guide starting page 13

LFR Filter/Regulators – D Series, NPT

Type Codes



Basic function	
LFR	Filter regulator

Pneumatic connection	
N ¹ / ₈	1/8 NPT Thread (for Micro only)
1/8	1/8 NPT Thread
1/4	1/4 NPT Thread
3/8	3/8 NPT Thread
1/2	1/2 NPT Thread
3/4	3/4 NPT Thread
1	1 NPT Thread

Series	
D	Series

Pressure regulation range	
	0.5 ... 12 bar
7	0.5 ... 7 bar

Grade of filtration	
	40 µm
5M	5 µm

Pressure gauge	
	With pressure gauge
0	Without pressure gauge

Size	
MICRO	Grid dimension 25 mm (without port blocks)
MINI	Grid dimension 40 mm (without port blocks)
MIDI	Grid dimension 55 mm (without port blocks)
MAXI	Grid dimension 66 mm (without port blocks)

Condensate drain	
	Manual
H	Semiautomatic
A	Fully automatic

NPT connection (where available)	
NPT	NPT threaded connection (not in type code for Micro)

LFR/LFRS Filter/Regulators – D Series, NPT



Ordering Data – Micro

Ordering data				
Pressure regulation range 0.5 ... 7 bar				
Condensate drain	Size	Connection	Grade of filtration 5 µm	
			Part No.	Type
With pressure gauge				
Manual	Micro	1/8 NPT	526281	LFR-N1/8-D-7-5M-MICRO
Semiautomatic	Micro	1/8 NPT	526282	LFR-N1/8-D-7-5M-MICRO-H
Without pressure gauge				
Manual	Micro	1/8 NPT	526283	LFR-N1/8-D-7-0-5M-MICRO
Semiautomatic	Micro	1/8 NPT	526284	LFR-N1/8-D-7-0-5M-MICRO-H

LFR/LFRS Filter/Regulators – D Series, NPT



Ordering Data – Mini/Midi/Maxi

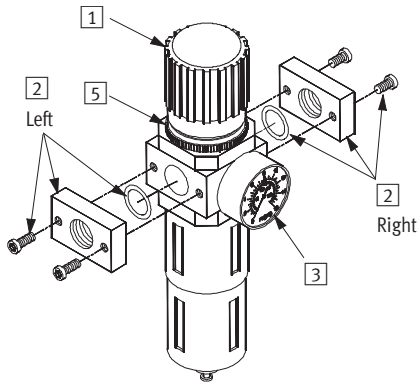
Ordering data									
Pressure regulation range 0.5 ... 12 bar, metal bowl guard									
Condensate drain	Size	Connection	Grade of filtration 5 µm		Grade of filtration 40 µm		Grade of filtration 40 µm		
			Part No.	Type	Part No.	Type	Part No.	Type	
With pressure gauge						Without pressure gauge			
Manual	Mini	1/8 NPT	173760	LFR-1/8-D-5M-MINI-NPT	173756	LFR-1/8-D-MINI-NPT	173758	LFR-1/8-D-MINI-NPT	
		1/4 NPT	173768	LFR-1/4-D-5M-MINI-NPT	173764	LFR-1/4-D-MINI-NPT	173766	LFR-1/4-D-MINI-NPT	
		3/8 NPT	173776	LFR-3/8-D-5M-MINI-NPT	173772	LFR-3/8-D-MINI-NPT	173774	LFR-3/8-D-MINI-NPT	
	Midi	3/8 NPT	173784	LFR-3/8-D-5M-MIDI-NPT	173780	LFR-3/8-D-MIDI-NPT	173782	LFR-3/8-D-MIDI-NPT	
		1/2 NPT	173792	LFR-1/2-D-5M-MIDI-NPT	173788	LFR-1/2-D-MIDI-NPT	173790	LFR-1/2-D-MIDI-NPT	
		3/4 NPT	173800	LFR-3/4-D-5M-MIDI-NPT	173796	LFR-3/4-D-MIDI-NPT	173798	LFR-3/4-D-MIDI-NPT	
	Maxi	3/4 NPT	173808	LFR-3/4-D-5M-MAXI-NPT	173804	LFR-3/4-D-MAXI-NPT	173806	LFR-3/4-D-MAXI-NPT	
		1 NPT	173816	LFR-1-D-5M-MAXI-NPT	173812	LFR-1-D-MAXI-NPT	173814	LFR-1-D-MAXI-NPT	
	Fully automatic	Mini	1/8 NPT	173761	LFR-1/8-D-5M-MINI-A-NPT	173757	LFR-1/8-D-MINI-A-NPT	173759	LFR-1/8-D-MINI-A-NPT
1/4 NPT			173769	LFR-1/4-D-5M-MINI-A-NPT	173765	LFR-1/4-D-MINI-A-NPT	173767	LFR-1/4-D-MINI-A-NPT	
3/8 NPT			173777	LFR-3/8-D-5M-MINI-A-NPT	173773	LFR-3/8-D-MINI-A-NPT	173775	LFR-3/8-D-MINI-A-NPT	
Midi		3/8 NPT	173785	LFR-3/8-D-5M-MIDI-A-NPT	173781	LFR-3/8-D-MIDI-A-NPT	173783	LFR-3/8-D-MIDI-A-NPT	
		1/2 NPT	173793	LFR-1/2-D-5M-MIDI-A-NPT	173789	LFR-1/2-D-MIDI-A-NPT	173791	LFR-1/2-D-MIDI-A-NPT	
		3/4 NPT	173801	LFR-3/4-D-5M-MIDI-A-NPT	173797	LFR-3/4-D-MIDI-A-NPT	173799	LFR-3/4-D-MIDI-A-NPT	
Maxi		3/4 NPT	173809	LFR-3/4-D-5M-MAXI-A-NPT	173805	LFR-3/4-D-MAXI-A-NPT	173807	LFR-3/4-D-MAXI-A-NPT	
		1 NPT	173817	LFR-1-D-5M-MAXI-A-NPT	173813	LFR-1-D-MAXI-A-NPT	173815	LFR-1-D-MAXI-A-NPT	

Ordering data									
Pressure regulation range 0.5 ... 7 bar, metal bowl guard									
Condensate drain	Size	Connection	Grade of filtration 40 µm						
			Part No.	Type					
With pressure gauge									
Manual	Mini	1/8 NPT	173762	LFR-1/8-D-7-MINI-NPT					
		1/4 NPT	173770	LFR-1/4-D-7-MINI-NPT					
		3/8 NPT	173778	LFR-3/8-D-7-MINI-NPT					
	Midi	3/8 NPT	173786	LFR-3/8-D-7-MIDI-NPT					
		1/2 NPT	173794	LFR-1/2-D-7-MIDI-NPT					
		3/4 NPT	173802	LFR-3/4-D-7-MIDI-NPT					
	Maxi	3/4 NPT	173810	LFR-3/4-D-7-MAXI-NPT					
		1 NPT	173818	LFR-1-D-7-MAXI-NPT					
	Fully automatic	Mini	1/8 NPT	173763	LFR-1/8-D-7-MINI-A-NPT				
1/4 NPT			173771	LFR-1/4-D-7-MINI-A-NPT					
3/8 NPT			173779	LFR-3/8-D-7-MINI-A-NPT					
Midi		3/8 NPT	173787	LFR-3/8-D-7-MIDI-A-NPT					
		1/2 NPT	173795	LFR-1/2-D-7-MIDI-A-NPT					
		3/4 NPT	173803	LFR-3/4-D-7-MIDI-A-NPT					
Maxi		3/4 NPT	173811	LFR-3/4-D-7-MAXI-A-NPT					
		1 NPT	173819	LFR-1-D-7-MAXI-A-NPT					

FAST* Program – Filter/Regulator Selector Guide



LFR Filter/Regulators – D Series, NPT



A complete filter regulator assembly consists of the following items:

Item	Description	Qty Required per Assy
1	Main Unit	1
2	Port Block Kit	2 (one left, one right)
3	Gauge	1
4	Wall Mounting Bracket Kit (Optional, not shown)	1
5	Knurled Nut (Optional)	1

Note: Joining rods (not shown here) are not needed in this assembly.

*FAST = Festo Assured Shipping Time. Ordering via the FAST program means same day / next day shipping from our warehouse of the parts required to assemble a complete air preparation unit.

FAST Program – LFR Filter/Regulator Selector Guide



LFR Filter/Regulators – D Series, NPT

Step 1: Based upon the required Port Size, Maximum Output Pressure, Maximum Flow, Filtration Level, Drain Type, and Thread Type, select the Main Unit (Item **1**), the Left and Right Port Block Kits (Item **2**), and, if required, Gauge (Item **3**) and Knurled Nut (Item **5**).

Port size	Max. Output Pressure (bar/psi)	Max. Flow (l/min/scfm)	Filtration Level (µm)	Drain	Product Type/Description	Item													
						Main Unit	NPT Thread		BSP Thread		Gauge (If required)	Knurled nut (If required)							
							Left Port Block Kit	Right Port Block Kit	Left Port Block Kit	Right Port Block Kit									
1/8	7/102	900/31.8	40	Man.	LFR-...-D-MINI-...	546456	546520	546521	546495	546496	546485	530025							
				Auto		546457													
		Man.		546432															
	12/174	750/26.5	5	Auto		546433					546454		546455	546479					
				Man.		546454													
		Auto		546455															
1/4	7/102	1400/49.4	40	Man.	LFR-...-D-MIDI-...	546456	546522	546523	546497	546498	546485	530026							
				Auto		546457													
				Man.		546463													
		12/174		2100/74.2		5					Auto		546464	546432	546433	546479			
											Man.		546432						
				Auto							546433								
	2000/70.6	5	Man.	LFR-...-D-MIDI-...	546425	546536	546537	546532	546533	546482	530026								
			Auto	546426															
			Man.	LFR-...-D-MINI-...	546454	546522	546523	546497	546498	546479	530025								
	1200/42.4	5	Auto	546455	546461	546536	546537	546532	546533	546482	530026								
			Man.	LFR-...-D-MIDI-...	546461	546536	546537	546532	546533	546482	530026								
			Auto	546462															
3/8	7/102	1700/60.0	40	Man.	LFR-...-D-MINI-...	546456	546524	546525	546499	546500	546485	530025							
				Auto		546457													
				Man.		LFR-...-D-MIDI-...							546463	546530	546531	546501	546502	546484	530026
		12/174		3200/113.0		5					Auto		546464	546432	546433	546479			
											Man.		LFR-...-D-MINI-...	546432	546524	546525	546499	546500	546479
				Auto							546433								
	3100/109.5	5	Man.	LFR-...-D-MIDI-...	546425	546530	546531	546501	546502	546482	530026								
			Auto	546426															
			Man.	LFR-...-D-MINI-...	546454	546524	546525	546499	546500	546479	530025								
	1350/47.7	5	Auto	546455	546461	546530	546531	546501	546502	546482	530026								
			Man.	LFR-...-D-MIDI-...	546461	546530	546531	546501	546502	546482	530026								
			Auto	546462															
2400/84.8	5	Man.	LFR-...-D-MIDI-...	546461	546530	546531	546501	546502	546482	530026									
		Auto	546462																

FAST Program – LFR Filter/Regulator Selector Guide



LFR Filter/Regulators – D Series, NPT

						Item				[3]	[5]					
Port size	Max. Output Pressure (bar/psi)	Max. Flow (l/min/scfm)	Filtration Level (µm)	Drain	Product Type/Description	Main Unit	NPT Thread		BSP Thread		Gauge (If required)	Knurled nut (If required)				
							Left Port Block Kit	Right Port Block Kit	Left Port Block Kit	Right Port Block Kit						
½	7/102	3900/137.7	40	Man.	LFR-...-D-MIDI-...	546463	546526	546527	546503	546504	546484	530026				
				Auto		546464										
		Man.		LFR-...-D-MAXI-...	546470	546538							546539	546534	546535	530025
		Auto			546471											
		Man.		LFR-...-DI-MAXI-...*	546514											
		Auto			546518											
	Man.	LFR-...-D-MIDI-...	546425	546526	546527	546503	546504	546482	530026							
	Auto		546426													
	Man.	LFR-...-D-MAXI-...	546437							546538	546539	546534	546535	530025		
	Auto		546438													
	Man.	LFR-...-DI-MAXI-...*	546512													
	Auto		546515													
Man.	LFR-...-D-MIDI-...	546461	546526	546527	546503	546504	546482	530026								
Auto		546462														
Man.	LFR-...-D-MAXI-...	546468							546538	546539	546534	546535	530025			
Auto		546469														
Man.	LFR-...-DI-MAXI-...*	546514														
Auto		546518														
¾	7/102	4000/141.3	40	Man.	LFR-...-D-MIDI-...	546463	546528	546529	546507	546508	546484	530026				
				Auto		546464										
		Man.		LFR-...-D-MAXI-...	546470	546490							546492	546507	546508	530025
		Auto			546471											
		Man.		LFR-...-DI-MAXI-...*	546514											
		Auto			546518											
	Man.	LFR-...-D-MIDI-...	546425	546528	546529	546505	546506	546482	530026							
	Auto		546426													
	Man.	LFR-...-D-MAXI-...	546437							546490	546492	546507	546508	530025		
	Auto		546438													
	Man.	LFR-...-DI-MAXI-...*	546512													
	Auto		546515													
Man.	LFR-...-D-MIDI-...	546461	546528	546529	546505	546506	546482	530026								
Auto		546462														
Man.	LFR-...-D-MAXI-...	546468							546490	546492	546507	546508	530025			
Auto		546469														
Man.	LFR-...-DI-MAXI-...*	546514														
Auto		546518														
1	7/102	11000/388.5	40	Man.		546470	546491	546493	546509	546510	546484	530026				
				Auto		546471										
		Man.		LFR-...-DI-MAXI-...*	546514	546491							546493	546509	546510	546482
		Auto			546518											
		Man.		LFR-...-D-MAXI-...	546437											
		Auto			546438											
	Man.	LFR-...-DI-MAXI-...*	546512													
	Auto		546515													
	Man.	LFR-...-D-MAXI-...	546468	546491	546493	546509	546510	546482	530026							
	Auto		546469													
	Man.	LFR-...-DI-MAXI-...*	546514													
	Auto		546518													
Man.	LFR-...-D-MAXI-...	546437														
Auto		546438														
Man.	LFR-...-DI-MAXI-...*	546512														
Auto		546515														
Man.	LFR-...-D-MAXI-...	546468	546491	546493	546509	546510	546482	530026								
Auto		546469														

* DI = Directly actuated diaphragm regulator with integrated return flow function.

FAST Program – LFR Filter/Regulator Selector Guide

LFR Filter/Regulators – D Series, NPT



Step 2: Based upon the Product Type/Description from Step 1, select the (optional) Wall Mounting Bracket Kit (Item 4).

	Item 4 (Not shown)
Product Type/ Description	Wall Mounting Bracket Kit (Optional) For more information on Mounting Brackets, see → Internet hrs
LFR-...-D-MINI-...	159638
LFR-...-D-MIDI-...	159593
LFR-...-D-MAXI-...	

Step3: Determine the appropriate quantity of each Item.

Ordering Example:

Required: ¼ port size, 8 bar output pressure, 1800 l/min flow, 40µm filtration, automatic drain, BSP threads, gauge, wall mounting bracket kit and knurled nut.

	Item	Part No.	Qty	Description
Order:	1	546426	1	Main Unit
	2	546532	1	Left Port Block Kit
		546533	1	Right Port Block Kit
	3	546482	1	Gauge
	4	159593	1	Wall Mounting Bracket Kit
5	530026	1	Knurled Nut (MIDI)	

Festo - Your Partner in Automation



1 Festo Inc.
 5300 Explorer Drive
 Mississauga, ON L4W 5G4
 Canada

Festo Customer Interaction Center
 Tel: 1 877 463 3786
 Fax: 1 877 393 3786
 Email: customer.service.ca@festo.com



2 Festo Pneumatic
 Av. Ceylán 3,
 Col. Tequesquináhuac
 54020 Tlalneantla,
 Estado de México

Multinational Contact Center
 01 800 337 8669
ventas.mexico@festo.com



3 Festo Corporation
 1377 Motor Parkway
 Suite 310
 Islandia, NY 11749

Festo Customer Interaction Center
 1 800 993 3786
 1 800 963 3786
customer.service.us@festo.com



4 Regional Service Center
 7777 Columbia Road
 Mason, OH 45040

Connect with us



www.festo.com/socialmedia



www.festo.com

Subject to change