

## Type codes

001	Series
KRP	Connecting cable, socket connection pattern ZC, self-tapping screw

002	Variant
1	Variant 1

003	Rated operating voltage
24	24 V DC

004	Cable length [m]
2.5	2.5
5	5

## Datasheet

### Connecting cable KRP-1

- Connecting cable for connecting relay plates (valve terminal CPV10 and CPV14)
- Pre-assembled
- Cable lengths: 2.5 m and 5 m
- 2-pin socket
- Not suitable for energy chains



#### General technical data

Type of mounting	Via through-hole
Mounting position	Any

#### Technical data – Electrical connection

Electrical connection	2-pin, angled socket
-----------------------	----------------------

#### Technical data – Electrics

Operating voltage range DC	≤26 V
Operating voltage range AC	≤20 V
Current rating	1 A

#### Technical data – Cable

Cable diameter	3.5 mm
Cable composition	2 x 0.25 mm <sup>2</sup>

#### Materials

Housing material	PUR
Cable sheath material	PVC
Pin contacts material	Bronze
LABS (PWIS) conformity	VDMA24364-B2-L

#### Operating and environmental conditions

Ambient temperature	-10 ... 50 °C
CE marking (see declaration of conformity) <sup>1)</sup>	To EU RoHS Directive
UKCA marking (see declaration of conformity) <sup>2)</sup>	To UK RoHS regulations
Degree of protection	IP65

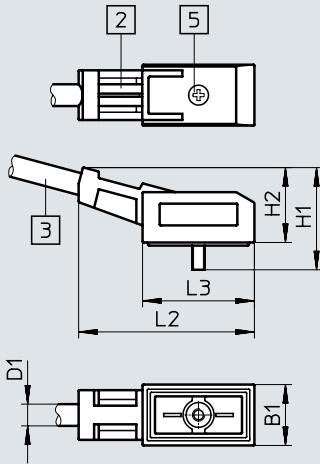
1) Additional information: [www.festo.com/catalogue/pun-h](http://www.festo.com/catalogue/pun-h) → Support/Downloads.

2) Additional information: [www.festo.com/catalogue/pun-h](http://www.festo.com/catalogue/pun-h) → Support/Downloads.

Datasheet

Dimensions

Download CAD data → [www.festo.com](http://www.festo.com)



- [2] Holder for inscription label (IBS-6x10)
- [3] 2-core cable 2.5 m or 5 m (2x0.25 mm<sup>2</sup>)
- [5] Retaining screw

Type	B1	D1 ∅	H1	H2	L1	L2
KRP-1	9.8	3.4	16.4	12	28.3	18

Ordering data

	Electrical connection		Cable length [m]	Weight [g]	Part no.	Type
	Field device side	Controller side				
	Socket, plug pattern ZC, self-tapping screw	Open cable end	2.5	49	<b>165612</b>	<b>KRP-1-24-2.5</b>
			5	94	<b>165613</b>	<b>KRP-1-24-5</b>

Ordering data – Accessories

			Part no.	Type
	Inscription labels in frames, pack of 64	6x10 mm	<b>18576</b>	<b>IBS-6x10</b>

# Festo - Your Partner in Automation



**1 Festo Inc.**  
5300 Explorer Drive  
Mississauga, ON L4W 5G4  
Canada

**Festo Customer Interaction Center**  
Tel: 1 877 463 3786  
Fax: 1 877 393 3786  
Email: [customer.service.ca@festo.com](mailto:customer.service.ca@festo.com)



**2 Festo Pneumatic**  
Av. Ceylán 3,  
Col. Tequesquináhuac  
54020 Tlalneptla,  
Estado de México

**Multinational Contact Center**  
01 800 337 8669  
[ventas.mexico@festo.com](mailto:ventas.mexico@festo.com)



**3 Festo Corporation**  
1377 Motor Parkway  
Suite 310  
Islandia, NY 11749

**Festo Customer Interaction Center**  
1 800 993 3786  
1 800 963 3786  
[customer.service.us@festo.com](mailto:customer.service.us@festo.com)



**4 Regional Service Center**  
7777 Columbia Road  
Mason, OH 45040

Connect with us



[www.festo.com/socialmedia](http://www.festo.com/socialmedia)



[www.festo.com](http://www.festo.com)

Subject to change