

Connecting cables NEBV, for valves

Technical data

Connecting cable KMYZ-9


- Connecting cable for valves with ZC solenoid coils (CPE10/CPE14)
- Pre-assembled
- Cable lengths 0.2 to 10 m



General technical data				
Type	KMYZ-9-24-...-PUR-B	KMYZ-9-24-M8-...-LED-B	KMYZ-9-24-AD-0,2-LED-B	KMYZ-9-24-AD-0,2-B
Electrical connection	Angled socket, 2-pin, square design			
	Open cable end, 2-wire	Straight plug, 3-pin, M8x1	Angled plug, 2-pin, square design	Angled plug, 2-pin, square design
Switching position display	LED	LED	LED	-
Additional functions	Reduction of retaining current	Reduction of retaining current	Reduction of retaining current	-
Nominal operating voltage [V DC]	24			
Cable composition [mm ²]	2x0.25			
Cable diameter [mm]	3.4			
Protective earth connection	No			
Type of mounting	On solenoid valve via M2 central screw			
Tightening torque [Nm]	0.25			
Mounting position	Any			
Protection class to EN 60529	IP65 (assembled)			

Materials	
Housing	Polyamide
Pin contact	Bronze
Cable sheath	TPE-U(PUR)
Note on materials	RoHS-compliant

Operating and environmental conditions	
Ambient temperature [°C]	-10 ... +50
CE marking (see declaration of conformity)	To EU EMC Directive

-  Type discontinued
Available up until 2017

Connecting cables NEBV, for valves

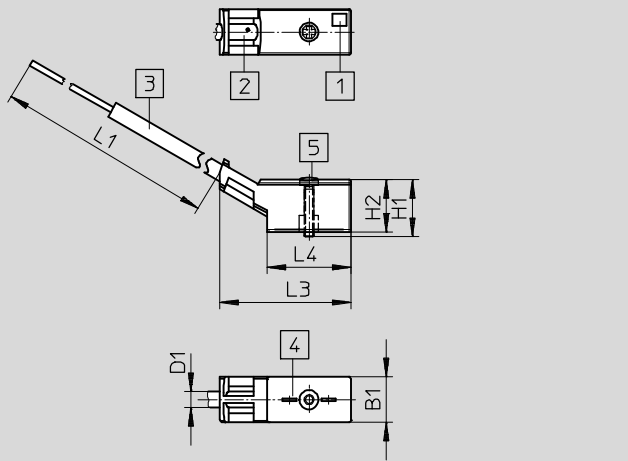
Technical data

FESTO

Dimensions

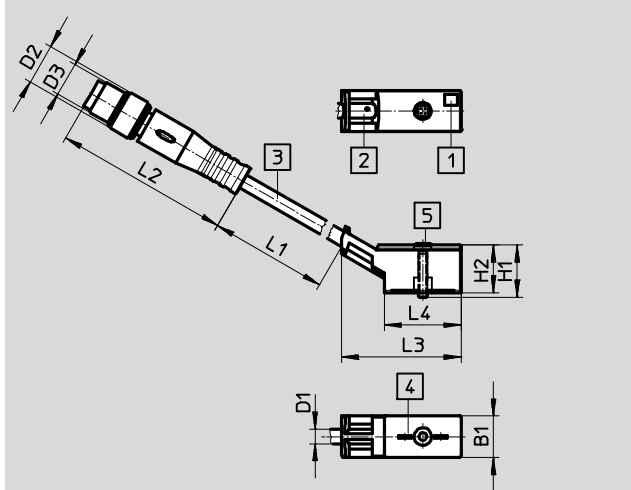
Download CAD data → www.festo.com

KMYZ-9-24



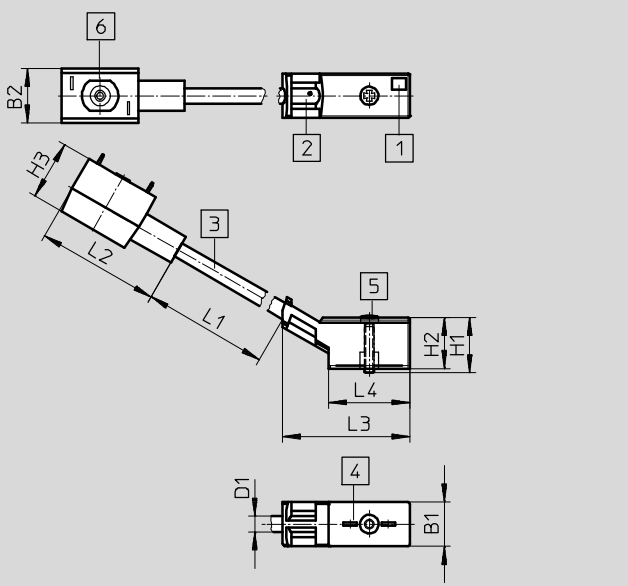
- 1 LED illuminated area
- 2 Slot for inscription label IBS-6x10 (not included in the scope of delivery)
- 3 2-wire cable
- 4 Connection pattern for ZC solenoid coils
- 5 Mounting screw

KMYZ-9-24-M8



- 1 LED illuminated area
- 2 Slot for inscription label IBS-6x10 (not included in the scope of delivery)
- 3 2-wire cable
- 4 Connection pattern for ZC solenoid coils
- 5 Mounting screw

KMYZ-9-24-AD



- 1 LED illuminated area
- 2 Slot for inscription label IBS-6x10 (not included in the scope of delivery)
- 3 2-wire cable
- 4 Connection pattern for ZC solenoid coils
- 5 Mounting screw
- 6 Connection pattern suitable for plug socket with cable KMYZ-6

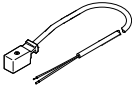
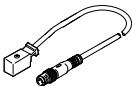
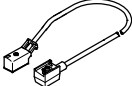
Type	B1	B2	D1 ∅	D2 ∅	D3 ∅	H1	H2	H3	L1	L2	L3	L4
KMYZ-9-24-2,5-LED-PUR-B	9.7	-	3.4	-	-	12.25	12.15	-	2,500	-	28.1	18
KMYZ-9-24-5-LED-PUR-B									5,000			
KMYZ-9-24-10-LED-PUR-B									10,000			
KMYZ-9-24-M8-0,5-LED-PUR	9.7	-	3.4	9.7	M8X1	12.25	12.15	-	500	41.1	28.1	18
KMYZ-9-24-M8-2,5-LED-PUR									2,500			
KMYZ-9-24-AD	9.7	12	3.4	-	-	12.25	12.15	13	200	27	28.1	18

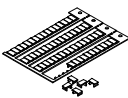
- 2 - Type discontinued
Available up until 2017

FESTO

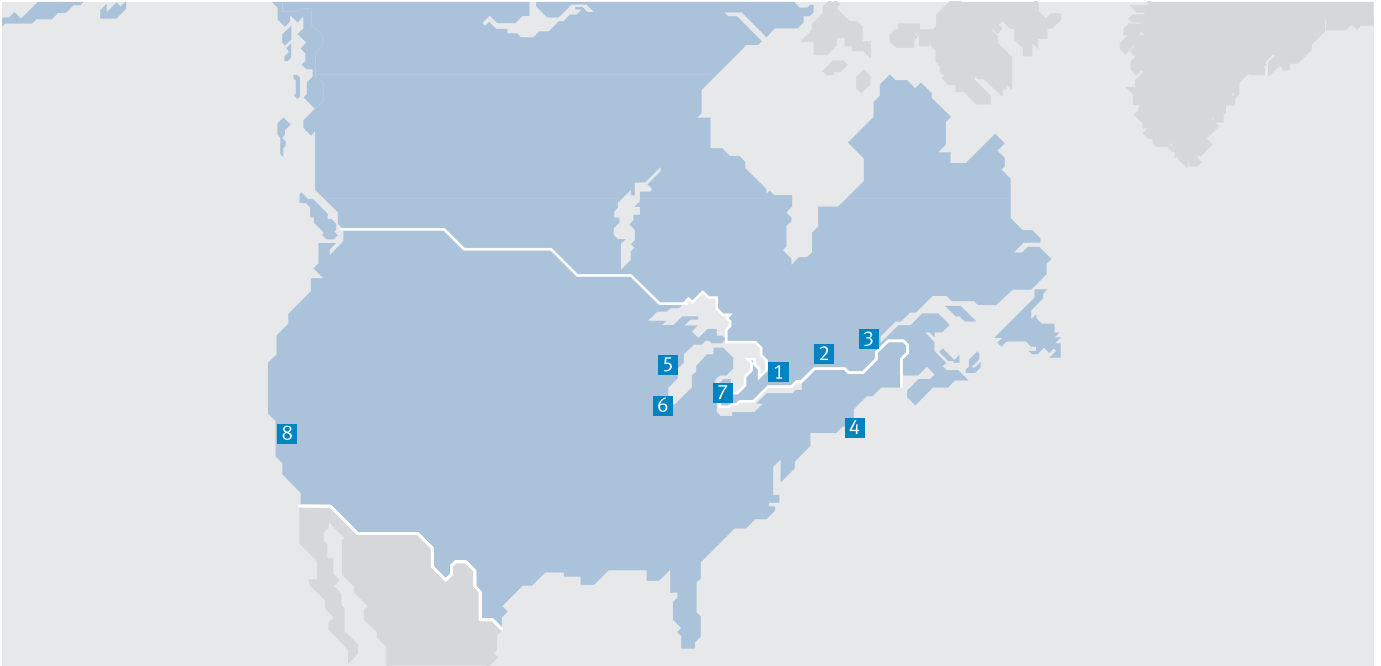
Connecting cables NEBV, for valves

Technical data

Ordering data						
	Electrical connection	Switching position display	Weight	Cable length	Part No.	Type
	Open cable end, 2-wire	LED	50 g	2.5 m	193687	KMYZ-9-24-2,5-LED-PUR-B
		LED	90 g	5 m	193689	KMYZ-9-24-5-LED-PUR-B
		LED	170 g	10 m	196063	KMYZ-9-24-10-LED-PUR-B
	Straight plug, M8x1, 3-pin	LED	18 g	0.5 m	196064	KMYZ-9-24-M8-0,5-LED-B
		LED	54 g	2.5 m	196065	KMYZ-9-24-M8-2,5-LED-B
	Angled plug, square design, 2-pin	LED	18 g	0.2 m	530942	KMYZ-9-24-AD-0,2-LED-B
		-	18 g	0.2 m	547449	KMYZ-9-24-AD-0,2-B

Ordering data – Accessories			
	Description	Part No.	Type
	Inscription labels 6x10 mm, 64 pieces, in frames	18576	IBS-6x10

Festo North America



**1 Festo Canada
Headquarters
Festo Inc.**
5300 Explorer Drive
Mississauga, ON
L4W 5G4

2 Montréal
5600, Trans-Canada
Pointe-Claire, QC
H9R 1B6

3 Québec City
2930, rue Watt#117
Québec, QC
G1X 4G3



**4 Festo United States
Headquarters
Festo Corporation**
395 Moreland Road
Hauppauge, NY
11788

5 Appleton
North 922 Tower View Drive, Suite N
Greenville, WI
54942

7 Detroit
1441 West Long Lake Road
Troy, MI
48098

6 Chicago
85 W Algonquin - Suite 340
Arlington Heights, IL
60005

8 Silicon Valley
4935 Southfront Road, Suite F
Livermore, CA
94550

Festo Regional Contact Center

Canadian Customers

Commercial Support:
Tel: 1 877 GO FESTO (1 877 463 3786)
Fax: 1 877 FX FESTO (1 877 393 3786)
Email: festo.canada@ca.festo.com

Technical Support:
Tel: 1 866 GO FESTO (1 866 463 3786)
Fax: 1 877 FX FESTO (1 877 393 3786)
Email: technical.support@ca.festo.com

USA Customers

Commercial Support:
Tel: 1 800 99 FESTO (1 800 993 3786)
Fax: 1 800 96 FESTO (1 800 963 3786)
Email: customer.service@us.festo.com

Technical Support:
Tel: 1 866 GO FESTO (1 866 463 3786)
Fax: 1 800 96 FESTO (1 800 963 3786)
Email: product.support@us.festo.com

Subject to change

Internet: www.festo.com/us