

- 1 - Type discontinued
Available up until 2017

FESTO

Connecting cables NEBV, for valves

Technical data

Connecting cable KMYZ-7

- Connecting cable for connecting individual valves CPV/CPA
- Pre-assembled
- Cable lengths 2.5 m, 5 m and 10 m
- With LEDs and protective circuit
- With integrated holding current reduction



General technical data	
Electrical connection	Angled socket, 2-pin, square design Open cable end, 2-wire
Switching position display	LED
Additional functions	Holding current reduction
Nominal operating voltage [V DC]	24
Cable composition [mm ²]	2x0.25
Cable diameter [mm]	3.4
Protective earth connection	No
Type of mounting	On solenoid valve via self-tapping screw
Tightening torque [Nm]	0.25
Mounting position	Any
Protection class to EN 60529	IP65 (assembled)

Materials	
Housing	Polyamide
Pin contact	Bronze
Cable sheath	TPE-U(PUR)
Note on materials	RoHS-compliant

Operating and environmental conditions	
Ambient temperature [°C]	-10 ... +50
CE marking (see declaration of conformity)	To EU EMC Directive ¹⁾

1) For information about the applicability of the component see the manufacturer's EC declaration of conformity at: www.festo.com/sp → User documentation.
If the component is subject to restrictions on usage in residential, office or commercial environments or small businesses, further measures to reduce the emitted interference may be necessary.

- 1 - Type discontinued
Available up until 2017

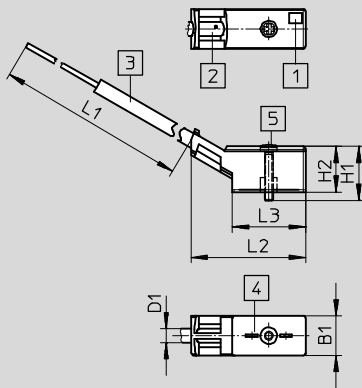
Connecting cables NEBV, for valves

Technical data

FESTO

Dimensions

Download CAD data → www.festo.com



- 1 LED illuminated area
- 2 Inscription area
- 3 2-wire cable 2.5 m, 5 m or 10 m (2x0.25 mm²)
- 4 Connection pattern for MZC solenoid coil
- 5 Mounting screw

Type	B1	D1	H1	H2	L1	L2	L3
KMYZ-7-24-2,5-LED-PUR	9.7	3.4	13.25	12.15	2,500	28.1	18
KMYZ-7-24-5-LED-PUR	9.7	3.4	13.25	12.15	5,000	28.1	18
KMYZ-7-24-10-LED-PUR	9.7	3.4	13.25	12.15	10,000	28.1	18

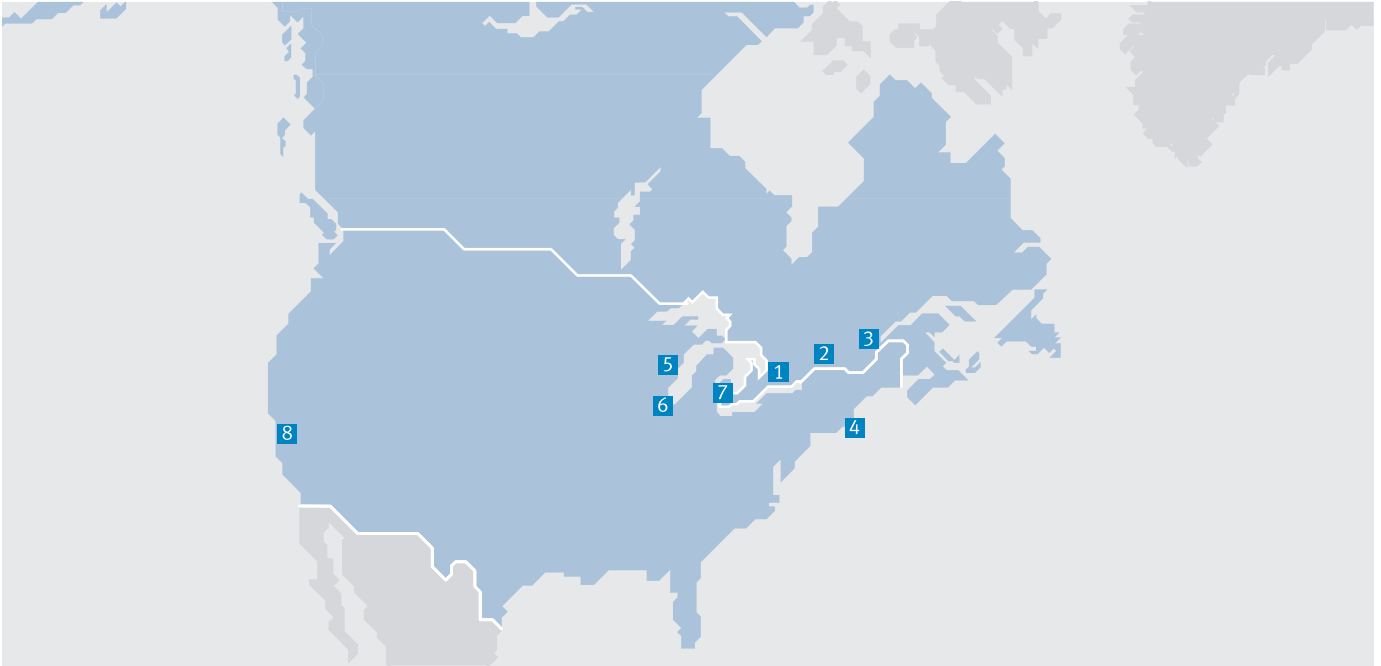
Ordering data

Electrical connection	Switching position display	Weight	Cable length	Part No.	Type
Angled socket, square design, 2-pin Open cable end, 2-wire	LED	50 g	2.5 m	193683	KMYZ-7-24-2,5-LED-PUR
	LED	90 g	5 m	193685	KMYZ-7-24-5-LED-PUR
	LED	170 g	10 m	196070	KMYZ-7-24-10-LED-PUR

Ordering data – Accessories

Description	Part No.	Type
 Inscription labels 6x10 mm, 64 pieces, in frames	18576	IBS-6x10

Festo North America



**1 Festo Canada
Headquarters
Festo Inc.**
5300 Explorer Drive
Mississauga, ON
L4W 5G4

2 Montréal
5600, Trans-Canada
Pointe-Claire, QC
H9R 1B6

3 Québec City
2930, rue Watt#117
Québec, QC
G1X 4G3



**4 Festo United States
Headquarters
Festo Corporation**
395 Moreland Road
Hauppauge, NY
11788

5 Appleton
North 922 Tower View Drive, Suite N
Greenville, WI
54942

7 Detroit
1441 West Long Lake Road
Troy, MI
48098

6 Chicago
85 W Algonquin - Suite 340
Arlington Heights, IL
60005

8 Silicon Valley
4935 Southfront Road, Suite F
Livermore, CA
94550

Festo Regional Contact Center

Canadian Customers

Commercial Support:
Tel: 1 877 GO FESTO (1 877 463 3786)
Fax: 1 877 FX FESTO (1 877 393 3786)
Email: festo.canada@ca.festo.com

Technical Support:
Tel: 1 866 GO FESTO (1 866 463 3786)
Fax: 1 877 FX FESTO (1 877 393 3786)
Email: technical.support@ca.festo.com

USA Customers

Commercial Support:
Tel: 1 800 99 FESTO (1 800 993 3786)
Fax: 1 800 96 FESTO (1 800 963 3786)
Email: customer.service@us.festo.com

Technical Support:
Tel: 1 866 GO FESTO (1 866 463 3786)
Fax: 1 800 96 FESTO (1 800 963 3786)
Email: product.support@us.festo.com