



- Versatile precision interfaces
- Wide choice of mounting options

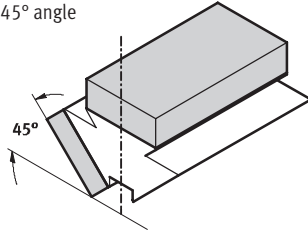
# Angle adapters HMSVS

Key features

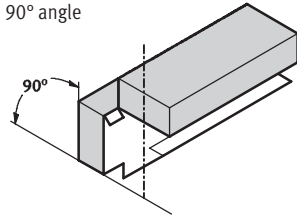
## Key features at a glance

### Mounting options

45° angle



90° angle



- Facilitates the mounting of grippers to semi-rotary drives for turret operation
- Versatile precision interfaces using centring sleeves
- Wide choice of mounting options:
  - Direct mounting
  - Dovetail mounting

## Combination with drives and grippers

Mounting on the basic component → 6

Linear modules  
HMP/HMPL



Mini slides  
DGSL



Mini slides  
SLT



Semi-rotary drives  
DRQD



Adapter kits

- Direct mounting
- Dovetail mounting



Adjusting unit  
HMXV



Angle adapter HMSVS

- Interface between basic component and attachment component



Adjusting unit  
HMXV



Adjusting unit HMXV

→ 2

Adapter kits

- Direct mounting
- Dovetail mounting



Mounting the attachment component → 12



Mini slides  
DGSL



Mini slides  
SLT



Semi-rotary drives  
DRQD

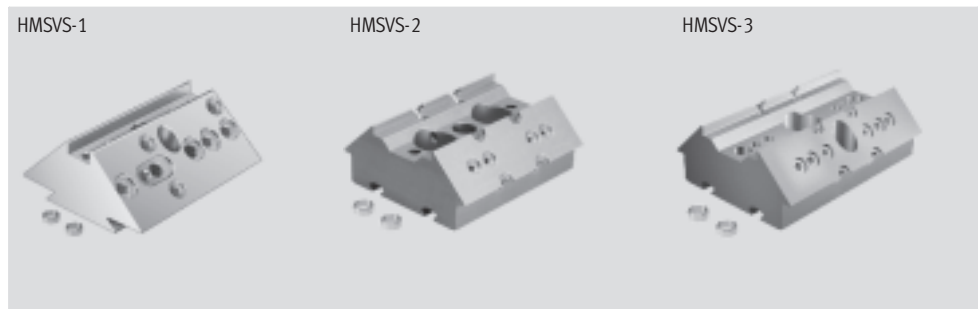


Grippers  
HGD, HGP, HGR, HGW  
HGPP, HGPPi  
Parallel grippers, micro  
HGPM, HGWM

# Angle adapters HMSVS

Technical data

Angle adapter

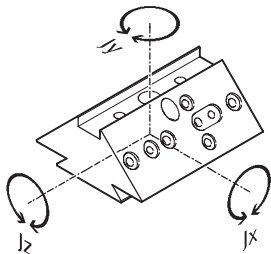


General technical data		HMSVS-1	HMSVS-2	HMSVS-3
Mass moment of inertia → Fig. 1	$J_x$ [ $\text{kgm}^2 \times 10^{-4}$ ]	0.774	0.630	1.056
	$J_y$ [ $\text{kgm}^2 \times 10^{-4}$ ]	0.968	0.957	1.427
	$J_z$ [ $\text{kgm}^2 \times 10^{-4}$ ]	0.342	0.457	0.520
Weights	[g]	156	647	769
Ambient temperature	[°C]	-20 ... +60		
Corrosion resistance class CRC <sup>1)</sup>		2		
Materials		Anodised aluminium		
Note on materials		Free of copper, PTFE and silicone		

1) Corrosion resistance class 2 to Festo standard 940 070  
 Components subject to moderate corrosion stress. Externally visible parts with primarily decorative surface requirements which are in direct contact with a normal industrial environment or media such as coolants or lubricating agents.

## Mass moments of inertia

Fig. 1



# Angle adapters HMSVS

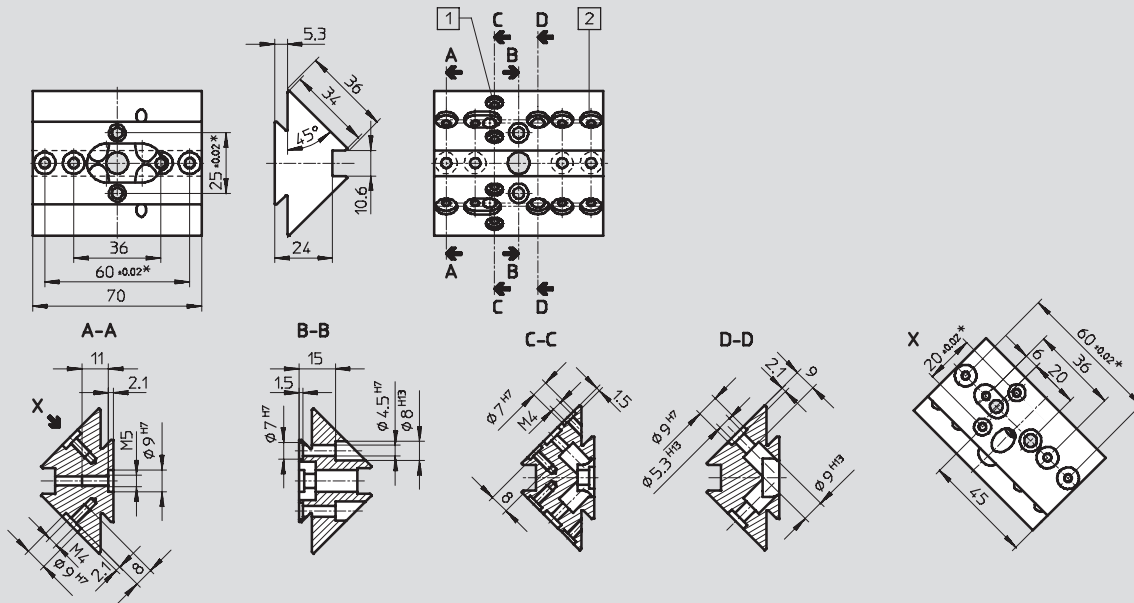
Technical data

FESTO

## Dimensions

Download CAD data → [www.festo.com](http://www.festo.com)

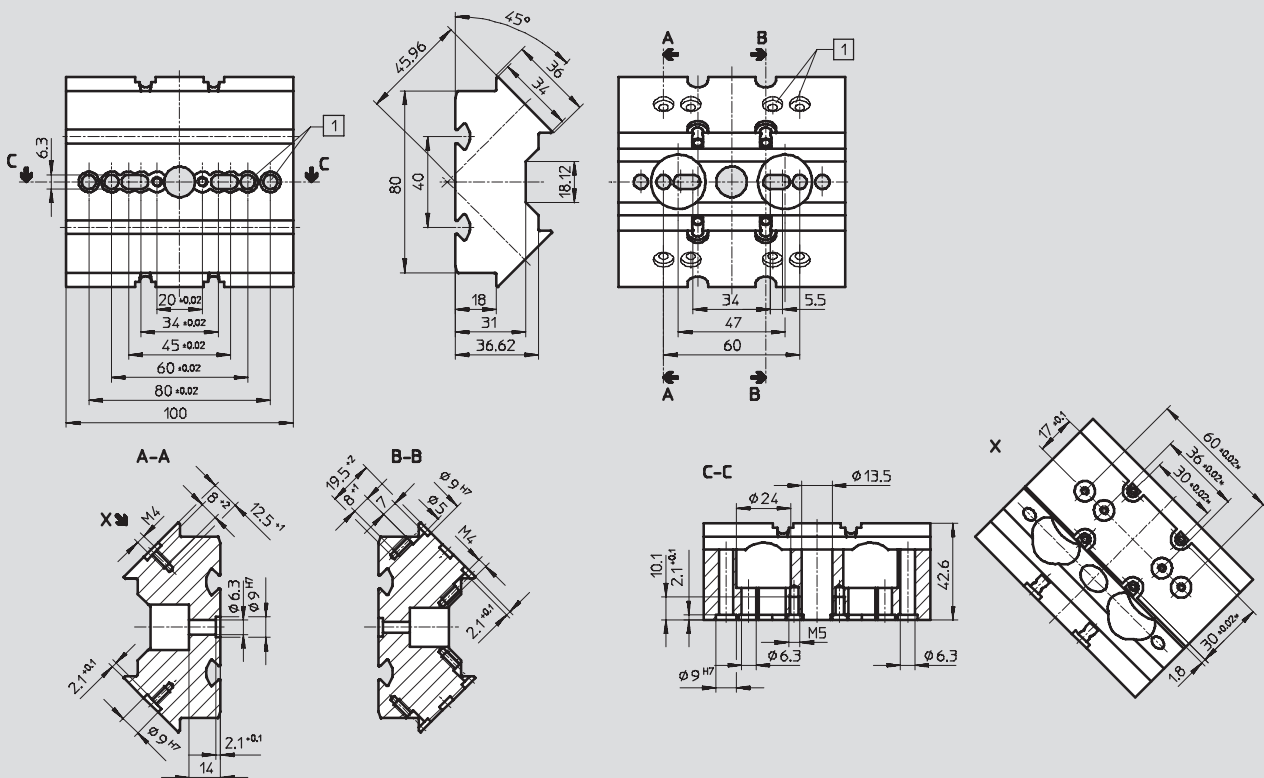
HMSVS-1



- 1 For centring sleeve ZBH-7
- 2 For centring sleeve ZBH-9  
(2 pieces included in scope of delivery)

\* Tolerances apply to countersinks.  
The tolerance ± 0.1 applies to threads and drilled holes.

HMSVS-2



- 1 For centring sleeve ZBH-9  
(2 pieces included in scope of delivery)

\* Tolerances apply to countersinks.  
The tolerance ± 0.1 applies to threads and drilled holes.

# Angle adapters HMSVS

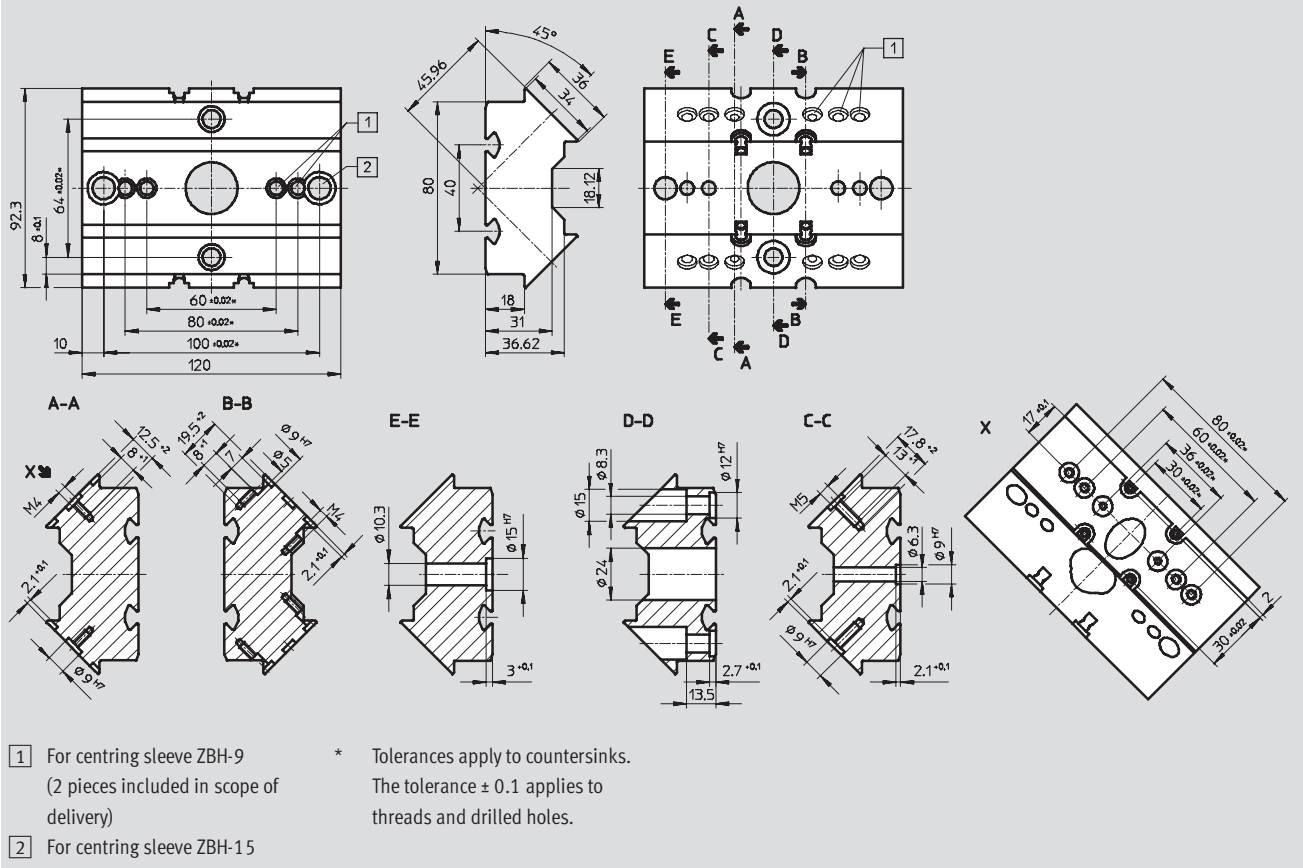
Technical data

FESTO

## Dimensions

Download CAD data → [www.festo.com](http://www.festo.com)

HMSVS-3



## Ordering data

	Part No.	Type
	189 487	HMSVS-1
	526 028	HMSVS-2
	526 029	HMSVS-3

# Angle adapters HMSVS

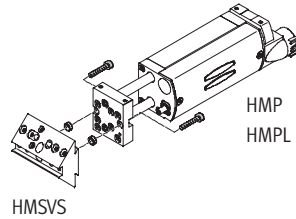
Technical data – Mounting on the basic component

## Mounting on linear module HMP/HMPL

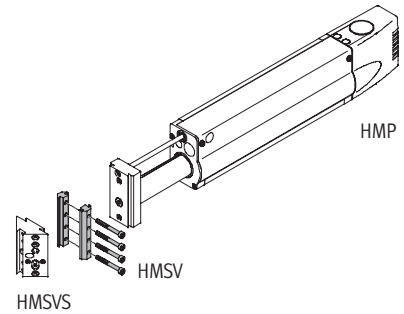
Material:

Adapter kit HMSV: Wrought aluminium alloy

Free of copper, PTFE and silicone



Direct mounting

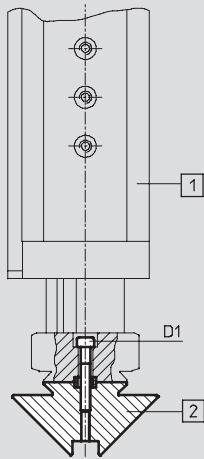


Dovetail mounting

## Dimensions and ordering data

Download CAD data → [www.festo.com](http://www.festo.com)

### Direct mounting



- 1 Linear module HMP/HMPL
- 2 Angle adapter HMSVS

Basic component	Angle adapter	Screws <sup>1)</sup> D1
HMP-16/20	HMSVS-1	2x M5x25
HMP-25		2x M5x30
HMP-16/20/25/32	HMSVS-2	2x M6x45
HMP-16/20/25/32		2x M6x45
HMPL-16/20	HMSVS-1	2x M5x18

1) The screws listed are not included with the angle adapter.

# Angle adapters HMSVS

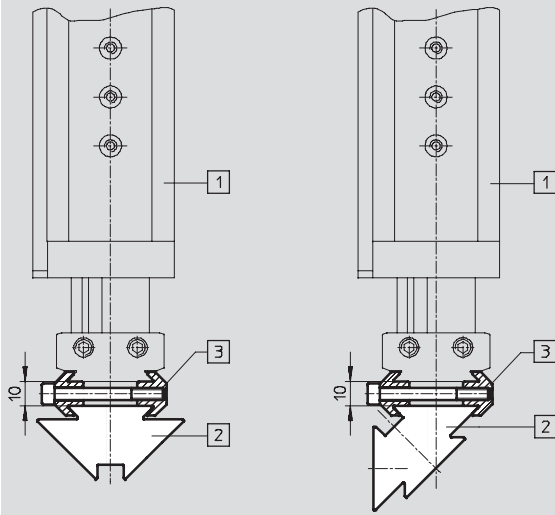
Technical data – Mounting on the basic component

## Mounting on linear module HMP/HMPL

### Dimensions and ordering data

Download CAD data → [www.festo.com](http://www.festo.com)

#### Dovetail mounting



Basic component	Angle adapter	Part No.	Type
HMP-16/20/25/32	HMSVS-1	177 647	HMSV-1
	HMSVS-2	177 649	HMSV-3
	HMSVS-3		

# Angle adapters HMSVS

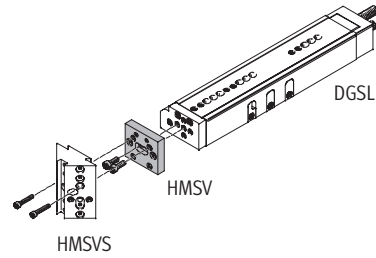
Technical data – Mounting on the basic component

## Mounting on mini slide DGSL

Material:

Adapter kit HMSV: Wrought aluminium alloy

Free of copper, PTFE and silicone

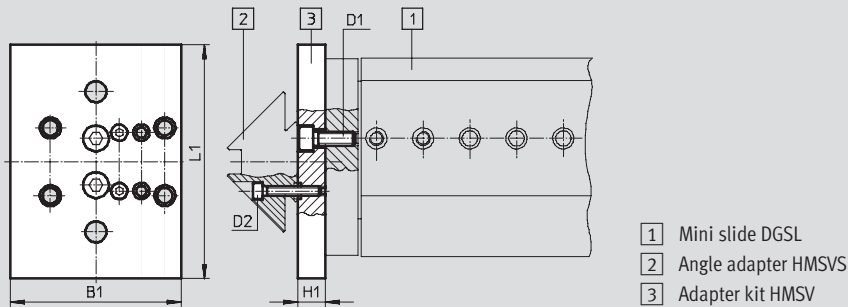


Direct mounting

## Dimensions and ordering data

Download CAD data → [www.festo.com](http://www.festo.com)

Direct mounting



Basic component	Angle adapter	B1	D1	D2	H1	L1	Part No.	Type
DGSL-12/16	HMSVS-1	43.5	M5	M4	10	50	548 785	HMSV-55
DGSL-20/25		73	M5	M4	12	100	548 786	HMSV-56

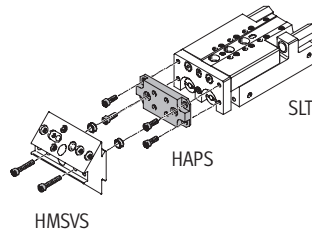


# Angle adapters HMSVS

Technical data – Mounting on the basic component

## Mounting on mini slide SLT

Material:  
 Adapter kit HAPS:  
 Wrought aluminium alloy  
 Free of copper, PTFE and silicone

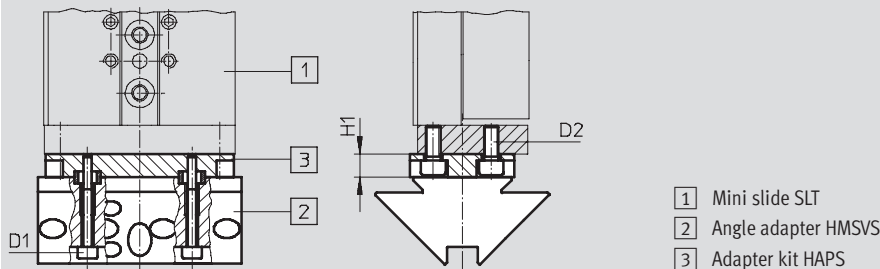


Direct mounting

## Dimensions and ordering data

Download CAD data → [www.festo.com](http://www.festo.com)

Direct mounting



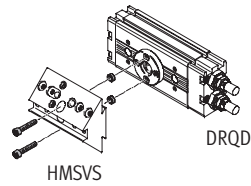
Basic component	Angle adapter	H1	Screws <sup>1)</sup> D1	Screws D2	Part No.	Type
SLT-10	HMSVS-1	8	2x M4x32	M4x10	178 448	HAPS-2
SLT-16		8	2x M4x32	M5x10	178 449	HAPS-3
SLT-20		10	2x M4x32	M5x12	178 450	HAPS-4
SLT-25		12	2x M4x32	M6x16	178 451	HAPS-5
SLT-20	HMSVS-2/3	10	2x M4x40	M5x12	178 450	HAPS-4 <sup>2)</sup>
SLT-25		12	2x M4x40	M6x16	178 451	HAPS-5 <sup>2)</sup>

1) The screws listed are not included with the angle adapter  
 2) Additional requirements: 2 washers to DIN 125 A 4.3

# Angle adapters HMSVS

Technical data – Mounting on the basic component

## Mounting on semi-rotary drive DRQD



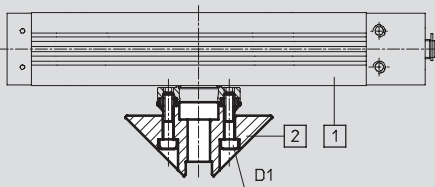
Direct mounting

### Dimensions and ordering data

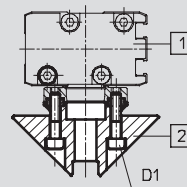
Download CAD data → [www.festo.com](http://www.festo.com)

Direct mounting

Variant 1



Variant 2



- 1 Semi-rotary drive DRQD
- 2 Angle adapter HMSVS

Basic component	Angle adapter	Screws <sup>1)</sup> D1	Part No.	Type
DRQD-B-16/20	HMSVS-1	2x M4x20	186 717	ZBH-7 <sup>2)</sup>
DRQD-B-25/32	HMSVS-2	2x M6x40	150 927	ZBH-9 <sup>2)</sup>
DRQD-40/50	HMSVS-3	2x M8x25	189 653	ZBH-12 <sup>2)</sup>

1) The screws listed are not included with the angle adapter

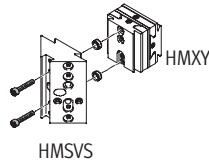
2) Packaging unit quantity: 10

# Angle adapters HMSVS

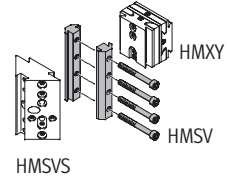
Technical data – Mounting on the basic component

## Mounting on adjusting unit HMXV

Material:  
 Adapter kit HMSV: Wrought aluminium alloy  
 Free of copper, PTFE and silicone



Direct mounting

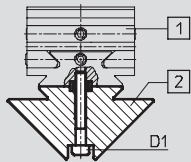


Dovetail mounting

## Dimensions and ordering data

Download CAD data → [www.festo.com](http://www.festo.com)

### Direct mounting

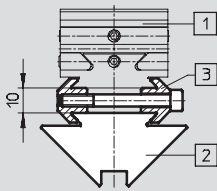


- 1 Adjusting unit HMXV
- 2 Angle adapter HMSVS

Basic component	Angle adapter	Screws <sup>1)</sup> D1
HMXV-1	HMSVS-1	2x M4x32

1) The screws listed are not included with the angle adapter

### Dovetail mounting



- 1 Adjusting unit HMXV
- 2 Angle adapter HMSVS
- 3 Adapter kit HMSV

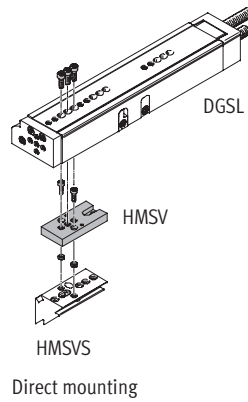
Basic component	Angle adapter	Part No.	Type
HMXV-1	HMSVS-1/2	177 647	HMSV-1
HMXV-3	HMSVS-1/2/3	177 649	HMSV-3

# Angle adapters HMSVS

Technical data – Mounting on the attachment component

## Mounting on mini slide DGSL

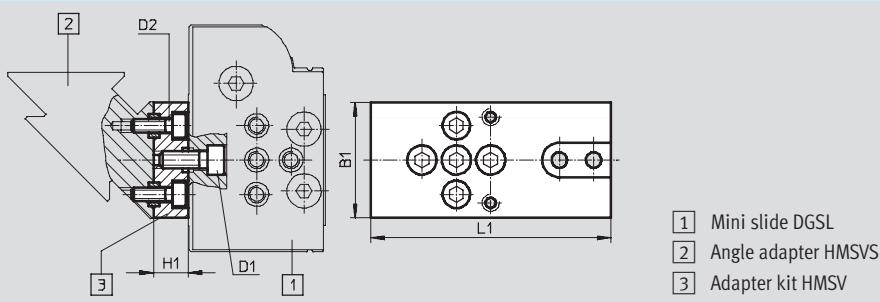
Material:  
 Adapter kit HMSV: Wrought aluminium alloy  
 Free of copper, PTFE and silicone



## Dimensions and ordering data

Download CAD data → [www.festo.com](http://www.festo.com)

Direct mounting



- 1 Mini slide DGSL
- 2 Angle adapter HMSVS
- 3 Adapter kit HMSV

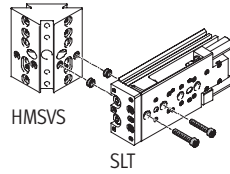
Attachment component	Angle adapter	B1	D1	D2	H1	L1	Part No.	Type
DGSL-4/6	HMSVS-1	33.6	M3	M5	10	87	548 787	HMSV-57
DGSL-8/10		33.6	M4	M5	10	87		
DGSL-12/16		33.6	M5	M5	10	70	548 782	HMSV-52
DGSL-20/25	HMSVS-2	40	M6	M5	10	100	548 929	HMSV-60

# Angle adapters HMSVS

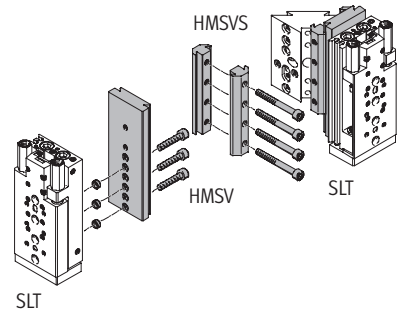
Technical data – Mounting on the attachment component

## Mounting on mini slide SLT

Material:  
 Adapter kit HMSV: Wrought aluminium alloy  
 Free of copper, PTFE and silicone



Direct mounting

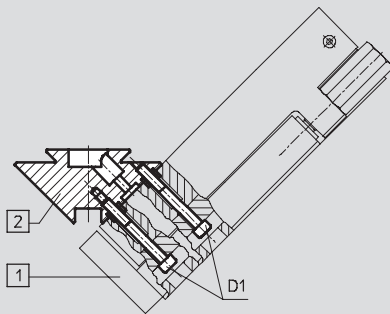


Dovetail mounting

## Dimensions and ordering data

Download CAD data → [www.festo.com](http://www.festo.com)

### Direct mounting

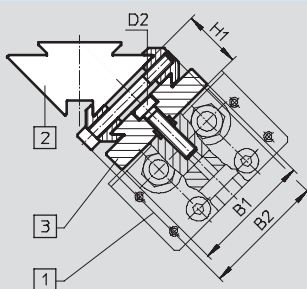


- 1 Mini slide SLT
- 2 Angle adapter HMSVS

Attachment component	Angle adapter	Screws <sup>1)</sup> D1	Part No.	Type
SLT-10	HMSVS-1	2x M4x30	186 717	ZBH-7 <sup>2)</sup>

1) The screws listed are not included with the angle adapter  
 2) Packaging unit quantity: 10

### Dovetail mounting



- 1 Mini slide SLT
- 2 Angle adapter HMSVS
- 3 Adapter kit HMSV

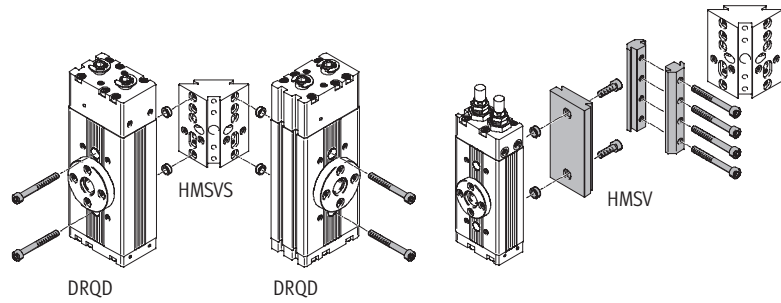
Attachment component	Angle adapter	B1	B2	H1	Screws D2	Part No.	Type
SLT-6	HMSVS-1/2/3	40	51	22	M3x20	178 329	HMSV-34
SLT-10	HMSVS-1/2/3	40	51	22	M4x30	178 330	HMSV-35
SLT-16	HMSVS-1/2/3	50	51	24	M6x25	178 331	HMSV-36
SLT-20	HMSVS-1	80	51	26	M8x25	178 332	HMSV-37
SLT-20/25	HMSVS-2/3	80	51	26	M8x25		

# Angle adapters HMSVS

Technical data – Mounting on the attachment component

## Mounting on semi-rotary drive DRQD

Material:  
 Adapter kit HMSV:  
 Wrought aluminium alloy  
 Free of copper, PTFE and silicone



Direct mounting

Dovetail mounting

## Dimensions and ordering data

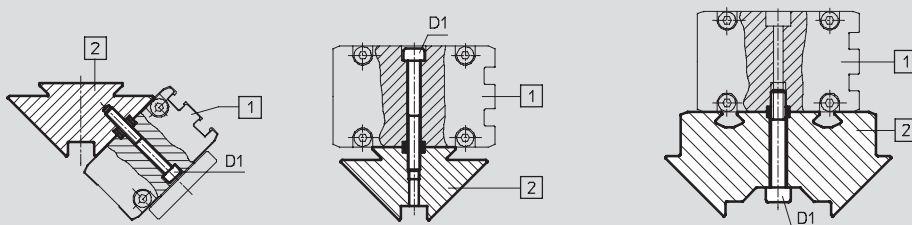
Download CAD data → [www.festo.com](http://www.festo.com)

Direct mounting

HMSVS-1

HMSVS-1

HMSVS-2/3



- 1 Semi-rotary drive DRQD
- 2 Angle adapter HMSVS

Attachment component	Angle adapter	Screws <sup>1)</sup> D1	Part No.	Type
DRQD-8	HMSVS-1/2/3	2x M4x20	–	
DRQD-12	HMSVS-1/2/3	2x M4x25	–	
DRQD-B-16	HMSVS-1/2	2x M4x35	–	
	HMSVS-3	–	<b>192 707</b>	<b>HAPG-38</b>
DRQD-B-20	HMSVS-1	2x M4x35	–	
	HMSVS-2	2x M4x40	–	
	HMSVS-3	–	<b>192 707</b>	<b>HAPG-38</b>
DRQD-B-25	HMSVS-1	2x M5x45	<b>150 927</b>	<b>ZBH-9<sup>1)</sup></b>
	HMSVS-2/3	2x M6x40	<b>150 927</b>	<b>ZBH-9<sup>1)</sup></b>
	HMSVS-3	2x M5x50	–	–
DRQD-B-32	HMSVS-2/3	2x M6x40	<b>150 927</b>	<b>ZBH-9<sup>1)</sup></b>
	HMSVS-3	2x M5x55	–	–
DRQD-40/50	HMSVS-3	2x M10x50	<b>191 409</b>	<b>ZBH-15<sup>1)</sup></b>

1) The screws listed are not included with the angle adapter  
 2) Packaging unit quantity: 10

# Angle adapters HMSVS

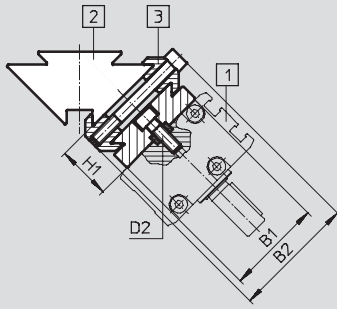
Technical data – Mounting on the attachment component

## Mounting on semi-rotary drive DRQD

### Dimensions and ordering data

Download CAD data → [www.festo.com](http://www.festo.com)

Dovetail mounting



- 1 Semi-rotary drive DRQD
- 2 Angle adapter HMSVS
- 3 Adapter kit HMSV

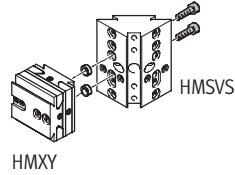
Attachment component	Angle adapter	B1	B2	H1	Screws D2	Part No.	Type
DRQD-B-16/20	HMSVS-1/2/3	40	51	22	M5x16	<b>177 656</b>	<b>HMSV-10</b>
DRQD-B-25	HMSVS-2/3	50	51	24	M5x10	<b>177 657</b>	<b>HMSV-11</b>
						<b>177 649</b>	<b>HMSV-3</b>
DRQD-B-32	HMSVS-2/3	50	51	24	M5x10	<b>177 663</b>	<b>HMSV-17</b>
						<b>177 653</b>	<b>HMSV-7</b>

# Angle adapters HMSVS

Technical data – Mounting on the attachment component

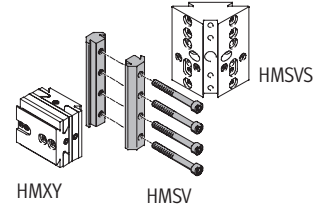
## Mounting on adjusting unit HMXY

Material:  
 Adapter kit HMSV: Wrought aluminium alloy  
 Free of copper, PTFE and silicone



HMXY

HMSVS



HMXY

HMSV

HMSVS

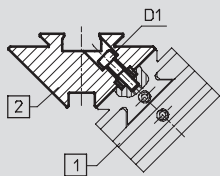
Direct mounting

Dovetail mounting

## Dimensions and ordering data

Download CAD data → [www.festo.com](http://www.festo.com)

### Direct mounting

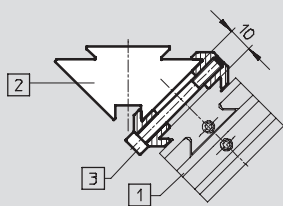


- 1 Adjusting unit HMXY
- 2 Angle adapter HMSVS

Attachment component	Angle adapter	Screws <sup>1)</sup>
HMXY-1	HMSVS-1	D1 2x M5x16

1) The screws listed are not included with the angle adapter

### Dovetail mounting



- 1 Adjusting unit HMXY
- 2 Angle adapter HMSVS
- 3 Adapter kit HMSV

Attachment component	Angle adapter	Part No.	Type
HMXY-1	HMSVS-1/2/3	177 647	HMSV-1
HMXY-3	HMSVS-1/2/3	177 649	HMSV-3

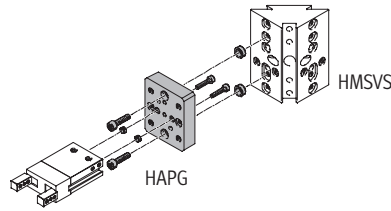


# Angle adapters HMSVS

Technical data – Mounting on the attachment component

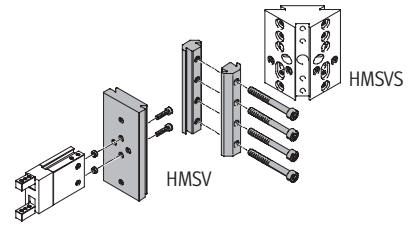
## Mounting on gripper HGD/HGP/HGR/HGW

Material:  
 Adapter kit HMSV:  
 Wrought aluminium alloy  
 Free of copper, PTFE and silicone



HGD  
 HGP  
 HGR  
 HGW

Direct mounting



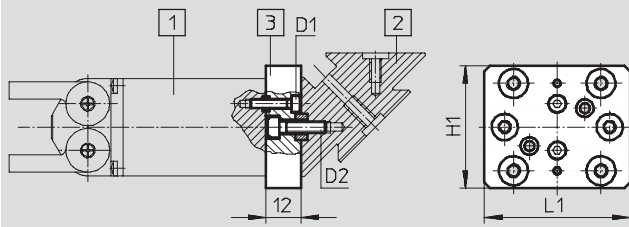
HGD  
 HGP  
 HGR  
 HGW

Dovetail mounting

## Dimensions and ordering data

Download CAD data → [www.festo.com](http://www.festo.com)

### Direct mounting



- 1 Gripper
- 2 Angle adapter HMSVS
- 3 Adapter kit HMSV

Attachment component	Angle adapter	H1	L1	Screws D1	Screws D2	Part No.	Type
HGP-6, HGR-10, HGW-10	HMSVS-1/2/3	42	50	M3x14	M4x16	192 706	HAPG-37-S1
HGP-10, HGR-16, HGW-16		42	50	M3x14	M4x16	192 705	HAPG-36-S1
HGD-16		42	50	M3x20	M4x16	193 921	HAPG-36-S3
HGP-16		42	50	M4x14	M4x16	193 922	HAPG-37-S4
HGR-25, HGW-25		42	50	M4x14	M4x16	193 922	HAPG-37-S4 <sup>1)</sup>

1) Only mountable in one gripping direction

# Angle adapters HMSVS

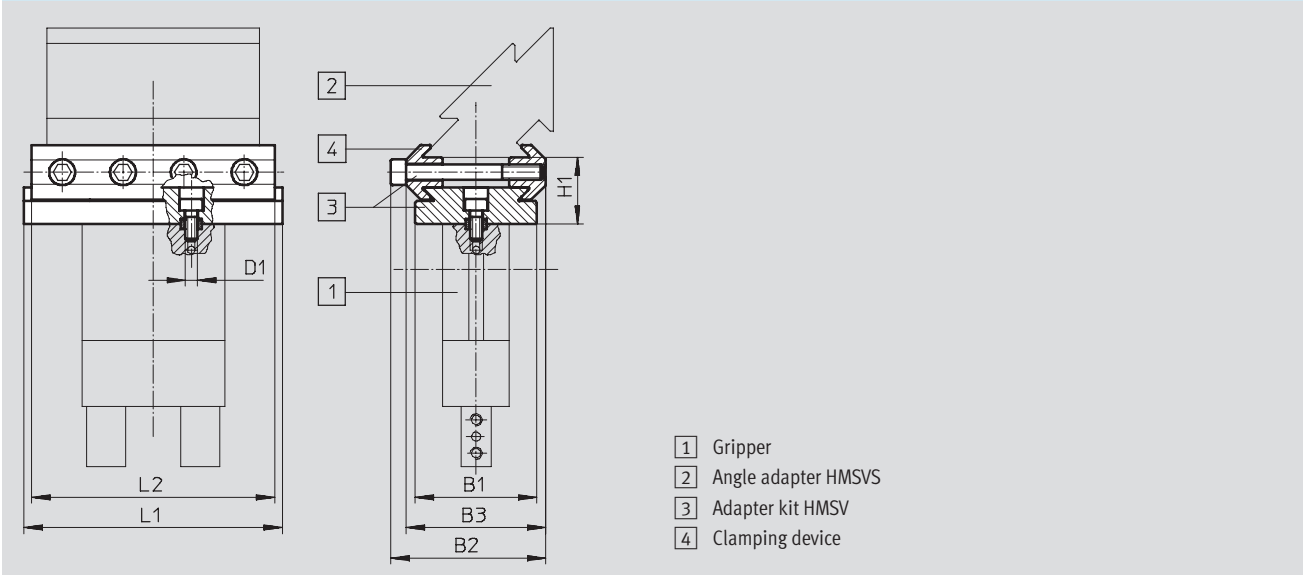
Technical data – Mounting on the attachment component

## Mounting on gripper HGD/HGP/HGR/HGW

### Dimensions and ordering data

Download CAD data → [www.festo.com](http://www.festo.com)

#### Dovetail mounting



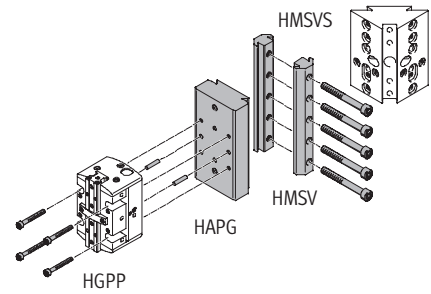
Attachment component	Angle adapter	B1	B2	B3	D1	L1	L2	H1	Part No.	Type
HGP-10, HGR-16, HGW-16	HMSVS-1/2/3	40	51	46	M3	85	80	22	<b>177 767</b>	<b>HMSV-27</b>
HGP-16/20, HGR-25, HGW-25	HMSVS-1/2/3	40	51	46	M4	85	80	24	<b>177 768</b>	<b>HMSV-28</b>
HGP-25, HGR-32, HGW-32	HMSVS-1/2/3	50	51	46	M6	100	100	24	<b>177 769</b>	<b>HMSV-29</b>
HGD-32	HMSVS-1/2/3	60	51	46	M8	110	100	28	<b>178 212</b>	<b>HMSV-32</b>
HGP-35, HGR-40, HGW-40	HMSVS-2/3	50	51	46	M3	85	100	22	<b>177 770</b>	<b>HMSV-30</b>
HGD-50	HMSVS-3	70	51	46	M5	110	100	24	<b>178 213</b>	<b>HMSV-33</b>

# Angle adapters HMSVS

Technical data – Mounting on the attachment component

## Mounting on parallel gripper HGPP

Material:  
 Adapter kit HMSV, HAPG:  
 Wrought aluminium alloy  
 Free of copper, PTFE and silicone

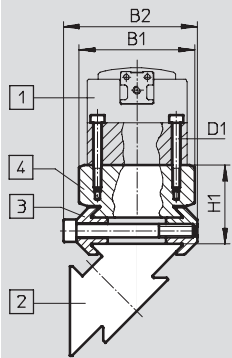


Dovetail mounting

## Dimensions and ordering data

Download CAD data → [www.festo.com](http://www.festo.com)

Dovetail mounting



- 1 Parallel gripper HGPP
- 2 Angle adapter HMSVS
- 3 Adapter kit HMSV-3
- 4 Adapter kit HAPG

Attachment component	Angle adapter	B1	B2	H1	Screws D1	Part No.	Type	Part No.	Type
HGPP-12	HMSVS-1/2/3	44	51	30	M5x30	177 649	HMSV-3	191 262	HAPG-44
HGPP-16	HMSVS-1/2/3	44	51	30	M5x30	177 649	HMSV-3	191 263	HAPG-45
HGPP-20	HMSVS-1/2/3	50	51	22	M5x30	177 649	HMSV-3	191 265	HAPG-47
HGPP-25	HMSVS-1	60	51	28	M5x40	177 649	HMSV-3	529 019	HAPG-59
HGPP-32	HMSVS-2/3	60	51	28	M5x50	177 649	HMSV-3	529 020	HAPG-61

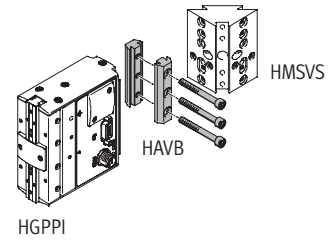
# Angle adapters HMSVS

Technical data – Mounting on the attachment component



## Mounting on parallel gripper HGPP1

Material:  
 Adapter kit HAVB:  
 Wrought aluminium alloy  
 Free of copper, PTFE and silicone

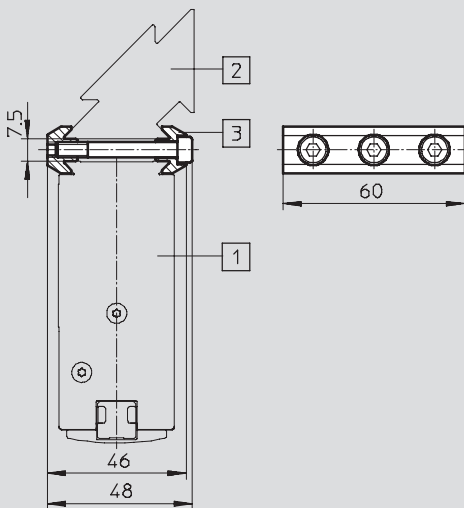


Dovetail mounting

## Dimensions and ordering data

Download CAD data → [www.festo.com](http://www.festo.com)

Dovetail mounting



- 1 Parallel gripper HGPP1
- 2 Angle adapter HMSVS
- 3 Adapter kit HAVB-3

Attachment component	Angle adapter	Part No.	Type
HGPP1-12	HMSVS-1/2/3	163 239	HAVB-3

# Product Range and Company Overview

## A Complete Suite of Automation Services

Our experienced engineers provide complete support at every stage of your development process, including: conceptualization, analysis, engineering, design, assembly, documentation, validation, and production.



**Custom Automation Components**  
Complete custom engineered solutions



**Custom Control Cabinets**  
Comprehensive engineering support and on-site services



**Complete Systems**  
Shipment, stocking and storage services

## The Broadest Range of Automation Components

With a comprehensive line of more than 30,000 automation components, Festo is capable of solving the most complex automation requirements.



**Electromechanical**  
Electromechanical actuators, motors, controllers & drives



**Pneumatics**  
Pneumatic linear and rotary actuators, valves, and air supply



**PLCs and I/O Devices**  
PLC's, operator interfaces, sensors and I/O devices

## Supporting Advanced Automation... As No One Else Can!

Festo is a leading global manufacturer of pneumatic and electromechanical systems, components and controls for industrial automation, with more than 12,000 employees in 56 national headquarters serving more than 180 countries. For more than 80 years, Festo has continuously elevated the state of manufacturing with innovations and optimized motion control solutions that deliver higher performing, more profitable automated manufacturing and processing equipment. Our dedication to the advancement of automation extends beyond technology to the education and development of current and future automation and robotics designers with simulation tools, teaching programs, and on-site services.

## Quality Assurance, ISO 9001 and ISO 14001 Certifications

Festo Corporation is committed to supply all Festo products and services that will meet or exceed our customers' requirements in product quality, delivery, customer service and satisfaction.

To meet this commitment, we strive to ensure a consistent, integrated, and systematic approach to management that will meet or exceed the requirements of the ISO 9001 standard for Quality Management and the ISO 14001 standard for Environmental Management.



© Copyright 2008, Festo Corporation. While every effort is made to ensure that all dimensions and specifications are correct, Festo cannot guarantee that publications are completely free of any error, in particular typing or printing errors. Accordingly, Festo cannot be held responsible for the same. For Liability and Warranty conditions, refer to our "Terms and Conditions of Sale", available from your local Festo office. All rights reserved. No part of this publication may be reproduced, distributed, or transmitted in any form or by any means, electronic, mechanical, photocopying or otherwise, without the prior written permission of Festo. All technical data subject to change according to technical update.



Printed on recycled paper at New Horizon Graphic, Inc., FSC certified as an environmentally friendly printing plant.

# Festo North America

## Festo Regional Contact Center

5300 Explorer Drive  
Mississauga, Ontario L4W 5G4  
Canada

### USA Customers:

For ordering assistance,

**Call:** 1.800.99.FESTO (1.800.993.3786)

**Fax:** 1.800.96.FESTO (1.800.963.3786)

**Email:** [customer.service@us.festo.com](mailto:customer.service@us.festo.com)

For technical support,

**Call:** 1.866.GO.FESTO (1.866.463.3786)

**Fax:** 1.800.96.FESTO (1.800.963.3786)

**Email:** [product.support@us.festo.com](mailto:product.support@us.festo.com)

### Canadian Customers:

**Call:** 1.877.GO.FESTO (1.877.463.3786)

**Fax:** 1.877.FX.FESTO (1.877.393.3786)

**Email:** [festo.canada@ca.festo.com](mailto:festo.canada@ca.festo.com)

---

## USA Headquarters

Festo Corporation  
395 Moreland Road  
P.O. Box 18023  
Hauppauge, NY 11788, USA  
[www.festo.com/us](http://www.festo.com/us)

---

## USA Sales Offices

### Appleton

North 922 Tower View Drive, Suite N  
Greenville, WI 54942, USA

### Boston

120 Presidential Way, Suite 330  
Woburn, MA 01801, USA

### Chicago

1441 East Business Center Drive  
Mt. Prospect, IL 60056, USA

### Dallas

1825 Lakeway Drive, Suite 600  
Lewisville, TX 75057, USA

### Detroit – Automotive Engineering Center

2601 Cambridge Court, Suite 320  
Auburn Hills, MI 48326, USA

### New York

395 Moreland Road  
Hauppauge, NY 11788, USA

### Silicon Valley

4935 Southfront Road, Suite F  
Livermore, CA 94550, USA

## United States



**USA Headquarters, East:** Festo Corp., 395 Moreland Road, Hauppauge, NY 11788

Phone: 1.631.435.0800; Fax: 1.631.435.8026;

Email: [info@festo-usa.com](mailto:info@festo-usa.com)

[www.festo.com/us](http://www.festo.com/us)

## Canada



**Headquarters:** Festo Inc., 5300 Explorer Drive, Mississauga, Ontario L4W 5G4

Phone: 1.905.624.9000; Fax: 1.905.624.9001;

Email: [festo.canada@ca.festo.com](mailto:festo.canada@ca.festo.com)

[www.festo.ca](http://www.festo.ca)

## Mexico



**Headquarters:** Festo Pneumatic, S.A., Av. Ceylán 3, Col. Tequesquahuac,  
54020 Tlalneantla, Edo. de México

Phone: 011 52 [55] 53 21 66 00; Fax: 011 52 [55] 53 21 66 65;

Email: [festo.mexico@mx.festo.com](mailto:festo.mexico@mx.festo.com)

[www.festo.com/mx](http://www.festo.com/mx)

---

## Central USA

Festo Corporation  
1441 East Business  
Center Drive  
Mt. Prospect, IL 60056, USA  
Phone: 1.847.759.2600  
Fax: 1.847.768.9480



## Western USA

Festo Corporation  
4935 Southfront Road,  
Suite F  
Livermore, CA 94550, USA  
Phone: 1.925.371.1099  
Fax: 1.925.245.1286



---

## Festo Worldwide

Argentina Australia Austria Belarus Belgium Brazil Bulgaria Canada Chile China Colombia Croatia Czech Republic Denmark  
Estonia Finland France Germany Great Britain Greece Hong Kong Hungary India Indonesia Iran Ireland Israel Italy Japan Latvia  
Lithuania Malaysia Mexico Netherlands New Zealand Norway Peru Philippines Poland Romania Russia Serbia Singapore  
Slovakia Slovenia South Africa South Korea Spain Sweden Switzerland Taiwan Thailand Turkey Ukraine United States Venezuela

[www.festo.com](http://www.festo.com)