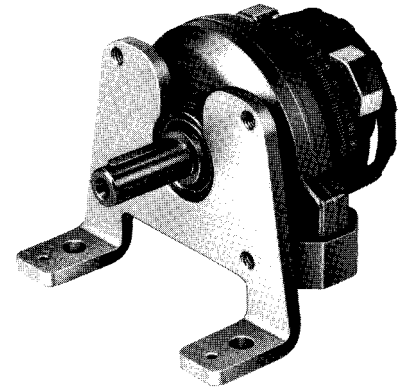
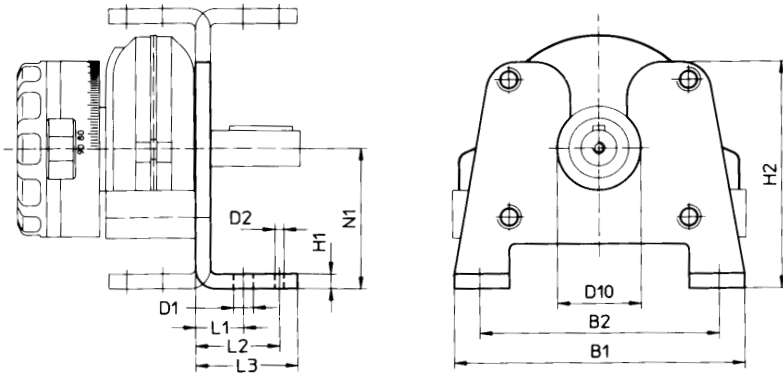


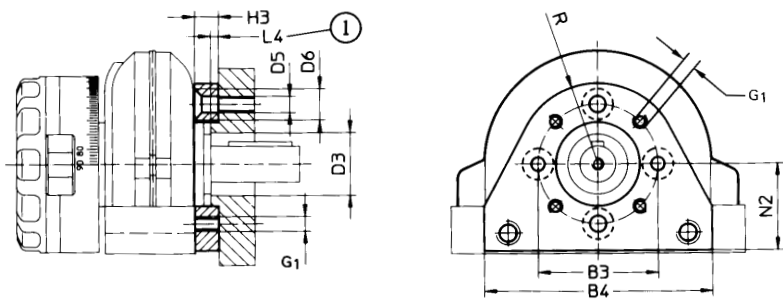
Vane Type Rotary Actuators, Type DSR/DSRL

Mounting Hardware Dimensions

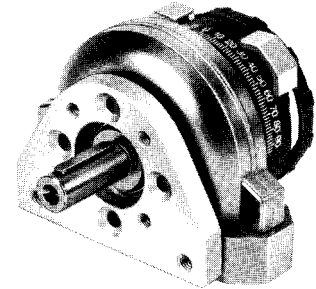
Foot Mount, Type HSR-...-FW (1 foot and mounting screws) (For DSR/DSRL)



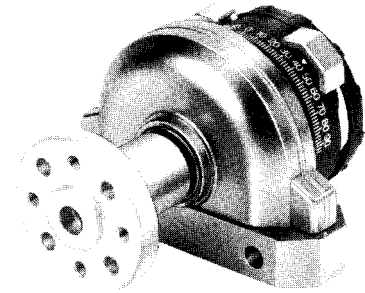
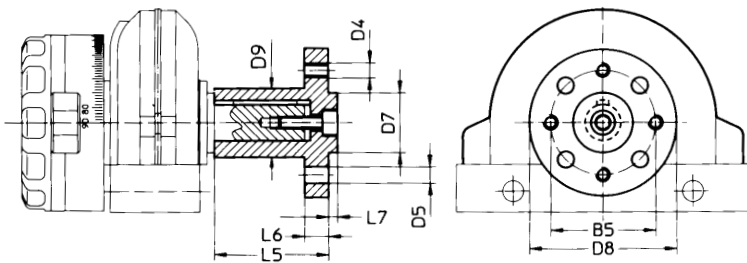
Flange Mount, Type FSR-... (1 flange and mounting screws) (For DSR only)



① Maximum length of centering



Rod Flange, Type FWSR-... (1 flange, spring washer and mounting screw) (For Metric Series DSR only)



Bore	B1	B2	B3	B4	B5	D1 dia H13	D2 dia	D3 dia min.	D4	D5 dia H13
in / mm	in / mm	in / mm	in / mm	in / mm	in / mm	in / mm	in / mm	in / mm	thread	in / mm
3/8 / 10	2.11 / 53.5	1.69 / 43	1-1/8 / 28	1.81 / 46	0.83 / 21	0.14 / 3.5	3/32 / 2	23/32 / 20	M3	0.13 / 3.4
1/2 / 12	2.52 / 64	2.05 / 52	1-1/4 / 31	2.13 / 54	0.98 / 25	0.14 / 3.5	3/32 / 2	7/8 / 22	M3	0.13 / 3.4
5/8 / 16	3.03 / 77	2.48 / 63	1-3/8 / 35	2.44 / 62	1.10 / 28	0.22 / 5.7	3/32 / 2	61/64 / 24	M4	0.18 / 4.5
1 / 25	3.82 / 97	3.15 / 80	1-9/16 / 40	2.99 / 76	1.38 / 35	0.27 / 6.8	1/8 / 3	1-7/64 / 28	M5	0.22 / 5.5
1-1/4 / 32	5.08 / 129	4.13 / 105	1-3/16 / 56	3.94 / 100	1.77 / 45	0.35 / 8.8	5/32 / 4	1-21/32 / 42	M6	0.26 / 6.6
1-5/8 / 40	6.26 / 159	5.12 / 130	2-13/16 / 72	4.72 / 120	2.13 / 54	0.35 / 8.8	3/16 / 5	2-3/64 / 52	M8	0.35 / 9
Bore	D6 dia H13	D7	D8	D9	D10 H9*	H1	H2	H3	L1	L2
in / mm	in / mm	in / mm	in / mm	in / mm	in / mm	in / mm	in / mm	in / mm	in / mm	in / mm
3/8 / 10	0.26 / 6.5	0.43 / 11	1.18 / 30	0.47 / 12	23/32 / 20	0.16 / 4	2.09 / 53	0.28 / 7	0.43 / 11	0.67 / 17
1/2 / 12	0.26 / 6.5	0.55 / 14	1.38 / 35	0.59 / 15	7/8 / 22	0.16 / 4	2.48 / 63	0.28 / 7	0.43 / 11	0.67 / 17
5/8 / 16	0.34 / 8.5	0.63 / 16	1.57 / 40	0.67 / 17	61/64 / 24	0.20 / 5	2.80 / 71	0.31 / 8	0.55 / 14	0.87 / 22
1 / 25	0.41 / 10.4	0.79 / 20	1.97 / 50	0.91 / 23	1-7/64 / 28	0.20 / 5	2.99 / 76	0.31 / 8	0.63 / 16	1.10 / 28
1-1/4 / 32	0.49 / 12.4	1.10 / 28	2.36 / 60	1.10 / 28	1-21/32 / 42	0.32 / 8	4.25 / 108	0.47 / 12	0.79 / 20	1.34 / 34
1-5/8 / 40	0.65 / 16.4	1.42 / 36	2.76 / 70	1.50 / 38	2-3/64 / 52	0.32 / 8	5.28 / 134	0.55 / 14	0.98 / 25	1.65 / 42
Bore	L3	L4 (max)	L5	L6	L7	N1	N2	R	G1	
in / mm	in / mm	in / mm	in / mm	in / mm	in / mm	in / mm	in / mm	in / mm	Inch	Metric
3/8 / 10	0.83 / 21	0.08 / 2	0.87 / 22	0.12 / 3	0.06 / 1.6	1.34 / 34	0.79 / 20	0.71 / 18	6-40 UNF	M3
1/2 / 12	0.83 / 21	0.08 / 2	0.98 / 25	0.12 / 3	0.12 / 3	1.58 / 40	0.87 / 22	0.81 / 20.5	8-30 UNF	M4
5/8 / 16	1.04 / 26.5	0.08 / 2	1.10 / 28	0.20 / 5	0.12 / 3	1.73 / 44	1.04 / 26.5	0.93 / 23.5	10-32 UNF	M5
1 / 25	1.34 / 34	0.10 / 2.5	1.59 / 38	0.31 / 8	0.12 / 3	1.85 / 47	1.14 / 29	1.06 / 27	1/4-28 UNF	M6
1-1/4 / 32	1.69 / 43	0.10 / 2.5	1.89 / 48	0.39 / 10	0.16 / 4	2.60 / 66	1.85 / 42	1.42 / 36	5/16-34 UNF	M8
1-5/8 / 40	2.05 / 52	0.16 / 4	2.36 / 60	0.43 / 11	0.20 / 5	3.19 / 81	2.05 / 52	1.81 / 46	5/16-24 UNF	M8

*H9 tolerance on bores 3/8-1-1/4 in / 10-32 mm
F9 tolerance on bores 1-5/8 in / 40 mm

Vane Type Rotary Actuators, Type DSR/DSRL

Mounting Hardware and Mounting Kits Order Information

FESTO

Note: Type HSR for DSR and DSRL. All other mounts are for DSR only.

Bore in / mm	Actuator Mounting Hardware			Mounting Kits for Accessories		
	Order Number		Weight lb / kg	Order Number		Weight lb / kg
	Part No.	Type		Part No.	Type	
3/8 / 10	33317	HSR-10-FW	0.134 / 0.061	33414	WSR-10-K	0.018 / 0.008
	34480	FSR-10	0.049 / 0.022	33413	WSR-10-J-M 5	0.013 / 0.006
	32798	FWSR-10*	0.022 / 0.010			
1/2 / 12	30923	HSR-1 2-FW	0.192 / 0.087	15686	WSR-1 2-K	0.026 / 0.012
	14658	FSR-12	0.071 / 0.032	15684	WSR-1 2	0.066 / 0.030
	14659	FWSR-12*	0.042 / 0.019	15685	WSR-12-J-M 5	0.022 / 0.010
5/8 / 16	30924	HSR-16-FW	0.375 / 0.170	14874	WSR-16	0.051 / 0.023
	13236	FSR-16	0.110 / 0.050	14873	WSR-16-J	0.026 / 0.012
	13239	FWSR-16*	0.066 / 0.030	15931	WSR-16-J-M 5	0.172 / 0.078
1 / 25	30925	HSR-25-FW	0.518 / 0.235	14796	WSR-25	0.057 / 0.026
	13237	FSR-25	0.154 / 0.070	14799	WSR-25-J	0.037 / 0.017
	13240	FWSR-25*	0.154 / 0.070	15932	WSR-25-J-M 5	0.037 / 0.017
1-1/4 / 32	30926	HSR-32-FW	1.46 / 0.660	14960	WSR-32	0.064 / 0.029
	13238	FSR-32	0.397 / 0.180	14962	WSR-32-J	0.040 / 0.018
	13241	FWSR-32*	0.265 / 0.120	15933	WSR-32-J-M 5	0.055 / 0.025
1-5/8 / 40	30927	HSR-40-FW	2.292 / 1.040	14961	WSR-40	0.071 / 0.032
	14655	FSR-40	0.661 / 0.300	14963	WSR-40-J	0.053 / 0.024
	14656	FWSR-40*	0.529 / 0.240	15934	WSR-40-J-M 5	0.066 / 0.030

*For Metric Series Type DSR only

Festo - Your Partner in Automation



1 Festo Inc.
5300 Explorer Drive
Mississauga, ON L4W 5G4
Canada

Festo Customer Interaction Center
Tel: 1 877 463 3786
Fax: 1 877 393 3786
Email: customer.service.ca@festo.com



2 Festo Pneumatic
Av. Ceylán 3,
Col. Tequesquináhuac
54020 Tlalnepantla,
Estado de México

Multinational Contact Center
01 800 337 8669
ventas.mexico@festo.com



3 Festo Corporation
1377 Motor Parkway
Suite 310
Islandia, NY 11749

Festo Customer Interaction Center
1 800 993 3786
1 800 963 3786
customer.service.us@festo.com



4 Regional Service Center
7777 Columbia Road
Mason, OH 45040

Connect with us



www.festo.com/socialmedia



www.festo.com

Subject to change