



**Electrical Connection Technology,
for Diagnostic Interface**

Electrical connection technology, for diagnostic interface

Product range overview

Overview of diagnostic cables for valve terminals						
Cable type	Valve terminal					→ Page
	Type 04	Type 10/12 ¹⁾	Type 03	Type 02	Type 50	
KDI-SB202-BU9	-	■	■	■	-	4 / 5.1-112
KDI-SB60-3-M12	■	■	■	-	-	4 / 5.1-112
KDI-SB60-6,0-M12	■	■	■	-	-	4 / 5.1-112
KDI-SB60-3-10,0-M12	■	■	■	-	-	4 / 5.1-112
KDTAM-SB60-3-M12	■	■	■	-	-	4 / 5.1-112
KDTAM-SB60-6,0-M12	■	■	■	-	-	4 / 5.1-112
KDTAM-SB60-10,0-M12	■	■	■	-	-	4 / 5.1-112
KV-M12-M12-1,5	-	-	-	-	■	4 / 5.1-114
KV-M12-M12-3,5	-	-	-	-	■	4 / 5.1-114

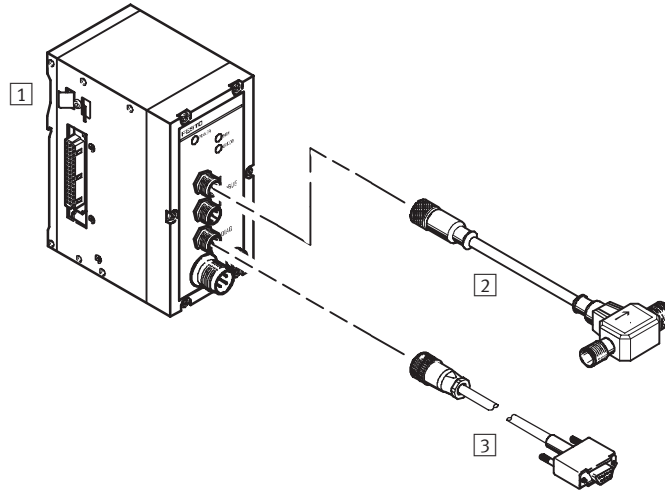
1) Via installation system (ECP)

Electrical connection technology, for diagnostic interface

Peripherals overview



Diagnostic interface for valve terminal type 03



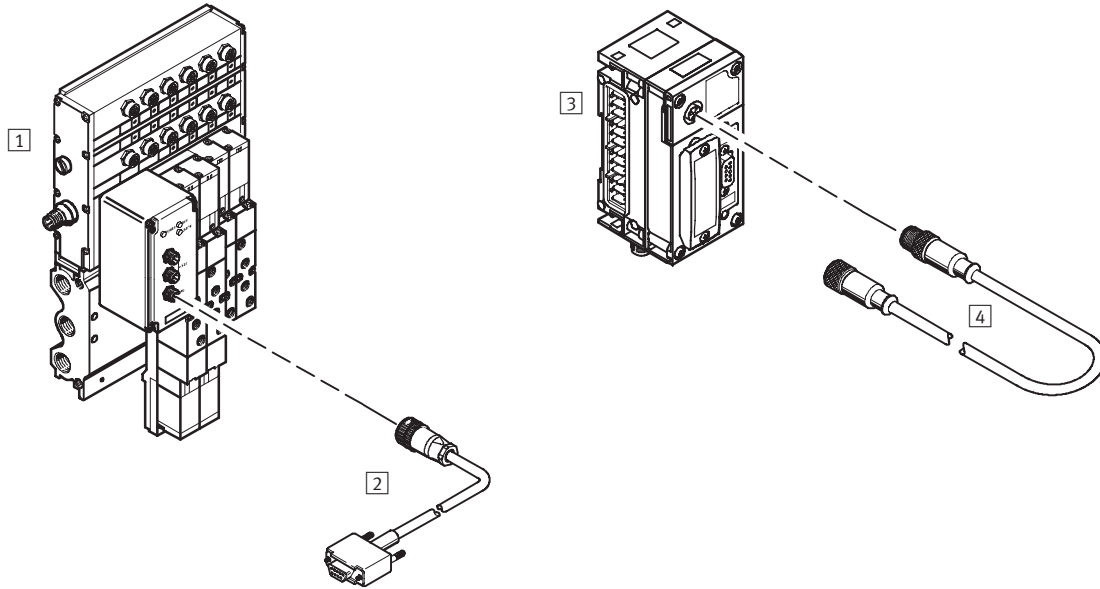
Accessories		
	Brief description	→ Page
1	ISF3-03 Control block, modular electrical peripherals for type 03/04	4 / 4.8-223
2	FB-TA T-adaptor, 3-pin	4 / 5.1-100
3	KDI-SB202-... Programming cable, 4-pin	4 / 5.1-112

Electrical connection technology, for diagnostic interface

Peripherals overview

FESTO

Diagnostic interface, valve/sensor terminal/valve terminal type 02 and CPX terminal



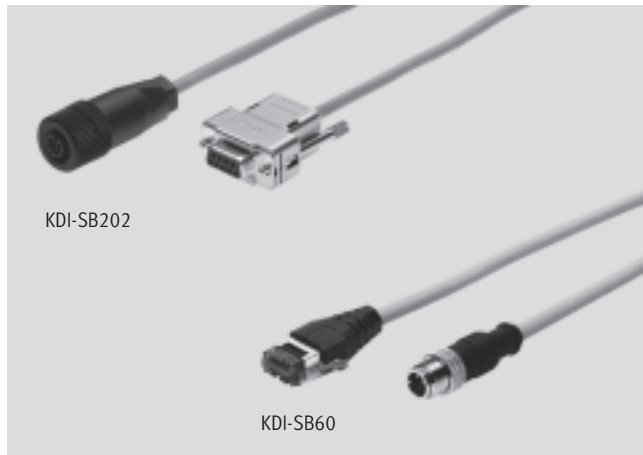
Accessories		Brief description	→ Page
1	IIFB-02-... VIFB02-...	Valve/sensor terminal type 02 Valve terminal type 02	4 / 2.3-1 4 / 2.3-1
2	KDI-SB202-...	Programming cable, 4-pin	4 / 5.1-112
3	CPX-FB...	Fieldbus node, CPX terminal	4 / 4.8-1
4	KV-M12-M12-...	Plug socket with cable for diagnostic interface	4 / 5.1-114

Electrical connection technology, for diagnostic interface

Technical data – KDI/KDTAM



- Programming cable for different applications
- Pre-assembled at both ends
- Cable lengths: 3 m, 6 m and 10 m



5.1

General technical data		
Type	KDI-.../KDTAM-...	KDI-PPA-3-BU9
Type of mounting	M12 union nut/threaded connector, clips/screws 2xM3	Screws 4-40 UNC
Mounting position	Any	
Operating voltage range [V]	300 AC	–
Material of housing	Polyester/Polyurethane	
Material of contacts	Gold-plated copper base alloy	
Material of union nut	Nickel-plated brass	
Material of cable sheath	Polyurethane	Polyvinyl chloride
Ambient temperature [°C]	–30 ... +80	
Ambient temperature of flexible cable installation [°C]	–10 ... +80	

Ordering data							
	Electrical connection	Construc-tional design [mm ²]	Cable diameter [mm]	Product weight [g]	Cable length [m]	Type	Part No.
	Straight plug, 5-pin, M12 – straight socket, 9-pin, Sub-D	7x0.24	5.9	203	3	KDTAM-SB60-3-M12	188 979
				354	6	KDTAM-SB60-6-M12	188 980
				582	10	KDTAM-SB60-10-M12	188 981
	Straight socket, 9-pin, Sub-D – straight plug, 9-pin, Sub-D	9x0.22	–	156	3	KDI-PPA-3-BU9	151 915
	Straight socket, 5-pin, M12 – straight socket, 25-pin, Sub-D	4x0.14	4.5 ... 6.5	210	5	KDI-SB202-BU25	30 437
				181	5	KDI-SB202-BU9	150 268
	Straight plug, 5-pin, M12 – straight socket, 8-pin, SDL	7x0.24	5.9	190	3	KDI-SB60-3,0-M12	171 173
				361	6	KDI-SB60-6,0-M12	175 686
				591	10	KDI-SB60-10,0-M12	171 174

Electrical connection technology, for diagnostic interface

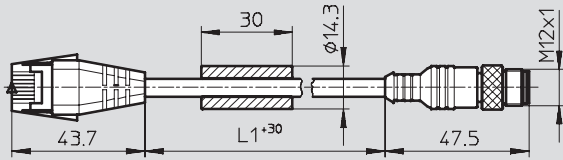
FESTO

Technical data – KDI/KDTAM

Dimensions

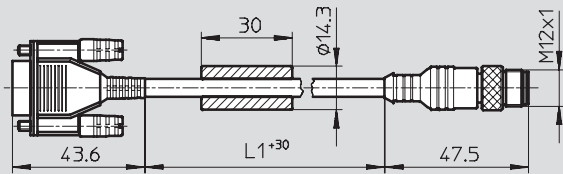
Download CAD data → www.festo.com/en/engineering

KDI-SB60-...



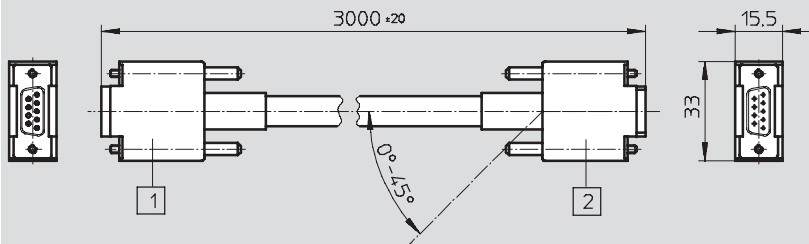
L1 Cable length 3 m, 6 m or 10 m

KDTAM-...



L1 Cable length 3 m, 6 m or 10 m

KDI-PPA-3-BU9



- 1 Straight socket, 9-pin, Sub-D
- 2 Straight plug, 9-pin, Sub-D

Electrical connection technology, for diagnostic interface

Technical data – KV-M12-...



5.1

- Plug socket with cable for diagnostic interface (to terminal CPX)
- Pre-assembled at both ends
- Cable lengths: 1.5 m and 3.5 m
- 5-pin/4-wire
- Round plug



General technical data		
Type	KV-M12-M12-...	
Type of mounting	M12 union nut	
Mounting position	Any	
Operating voltage range	[V]	30 AC
	[V]	36 DC
Current-carrying capacity	[A]	4
Cable diameter	[mm]	5
Protection class to EN 60 529	IP67 (assembled)	
Material of housing	Polyurethane	
Material of contacts	Socket	Gold-plated brass
	Plug	Gold-plated bronze
Material of union nut	Nickel-plated/chrome-plated brass	
Material of cable sheath	Polyurethane	
Ambient temperature	[°C]	-25 ... +70
Ambient temperature of flexible cable installation	[°C]	-5 ... +70

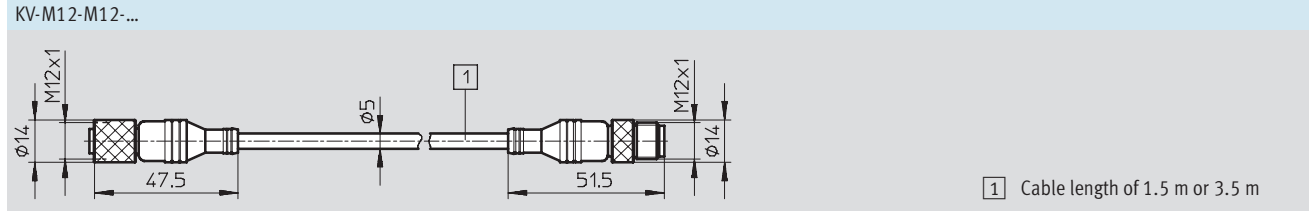
Ordering data						
	Electrical connection	Constructional design [mm ²]	Product weight [g]	Cable length [m]	Type	Part No.
	Straight plug – straight socket, 5-pin	4x0.34	97	1.5	KV-M12-M12-1,5	529 044
	Straight plug – straight socket, 5-pin	4x0.34	182	3.5	KV-M12-M12-3,5	530 901

Electrical connection technology, for diagnostic interface



Technical data – KV-M12-...

Dimensions Download CAD data → www.festo.com/en/engineering



Wiring allocation (socket/plug view)
KV-M12-M12-...

View – socket	Wiring allocation	View – plug
	<ul style="list-style-type: none"> 1 (+24V) — Brown — 1 (+24V) 3 (0V) — Blue — 3 (0V) 2 (Rx/D, MMI) — White — 2 (Tx/D, CPX) 4 (Tx/D, MMI) — Black — 4 (Rx/D, CPX) 5 (FE) — Screen — 5 (FE) 	

Product Range and Company Overview

A Complete Suite of Automation Services

Our experienced engineers provide complete support at every stage of your development process, including: conceptualization, analysis, engineering, design, assembly, documentation, validation, and production.



Custom Automation Components
Complete custom engineered solutions



Custom Control Cabinets
Comprehensive engineering support and on-site services



Complete Systems
Shipment, stocking and storage services

The Broadest Range of Automation Components

With a comprehensive line of more than 30,000 automation components, Festo is capable of solving the most complex automation requirements.



Electromechanical
Electromechanical actuators, motors, controllers & drives



Pneumatics
Pneumatic linear and rotary actuators, valves, and air supply



PLCs and I/O Devices
PLC's, operator interfaces, sensors and I/O devices

Supporting Advanced Automation... As No One Else Can!

Festo is a leading global manufacturer of pneumatic and electromechanical systems, components and controls for industrial automation, with more than 12,000 employees in 56 national headquarters serving more than 180 countries. For more than 80 years, Festo has continuously elevated the state of manufacturing with innovations and optimized motion control solutions that deliver higher performing, more profitable automated manufacturing and processing equipment. Our dedication to the advancement of automation extends beyond technology to the education and development of current and future automation and robotics designers with simulation tools, teaching programs, and on-site services.

Quality Assurance, ISO 9001 and ISO 14001 Certifications

Festo Corporation is committed to supply all Festo products and services that will meet or exceed our customers' requirements in product quality, delivery, customer service and satisfaction.

To meet this commitment, we strive to ensure a consistent, integrated, and systematic approach to management that will meet or exceed the requirements of the ISO 9001 standard for Quality Management and the ISO 14001 standard for Environmental Management.



© Copyright 2008, Festo Corporation. While every effort is made to ensure that all dimensions and specifications are correct, Festo cannot guarantee that publications are completely free of any error, in particular typing or printing errors. Accordingly, Festo cannot be held responsible for the same. For Liability and Warranty conditions, refer to our "Terms and Conditions of Sale", available from your local Festo office. All rights reserved. No part of this publication may be reproduced, distributed, or transmitted in any form or by any means, electronic, mechanical, photocopying or otherwise, without the prior written permission of Festo. All technical data subject to change according to technical update.



Printed on recycled paper at New Horizon Graphic, Inc., FSC certified as an environmentally friendly printing plant.

Festo North America

United States

Customer Resource Center
502 Earth City Expy., Suite 125
Earth City, MO 63045

For ordering assistance, or to find
your nearest Festo Distributor,

Call: 1.800.99.FESTO

Fax: 1.800.96.FESTO

Email: customer.service@us.festo.com

For technical support,

Call: 1.866.GO.FESTO

Fax: 1.800.96.FESTO

Email: product.support@us.festo.com

Headquarters

Festo Corporation
395 Moreland Road
P.O. Box 18023
Hauppauge, NY 11788
www.festo.com/us

Sales Offices

Appleton

N. 922 Tower View Drive, Suite N
Greenville, WI 54942

Boston

120 Presidential Way, Suite 330
Woburn, MA 01801

Chicago

1441 East Business Center Drive
Mt. Prospect, IL 60056

Dallas

1825 Lakeway Drive, Suite 600
Lewisville, TX 75057

Detroit - Automotive Engineering Center

2601 Cambridge Court, Suite 320
Auburn Hills, MI 48326

New York

395 Moreland Road
Hauppauge, NY 11788

Silicon Valley

4935 Southfront Road, Suite F
Livermore, CA 94550

Design and Manufacturing Operations



East: 395 Moreland Road, Hauppauge, NY 11788



Central: 1441 East Business Center Drive, Mt. Prospect, IL 60056



West: 4935 Southfront Road, Suite F, Livermore, CA 94550

Mexico

Headquarters

Festo Pneumatic, S.A.
Av. Ceylán 3, Col. Tequesquahuac
54020 Tlalnepantla, Edo. de México
Call: 011 52 [55] 53 21 66 00
Fax: 011 52 [55] 53 21 66 65
Email: festo.mexico@mx.festo.com
www.festo.com/mx



Canada

Headquarters

Festo Inc.
5300 Explorer Drive
Mississauga, Ontario L4W 5G4
Call: 1.905.624.9000
Fax: 1.905.624.9001
Email: info.ca@ca.festo.com
www.festo.com/ca



Festo Worldwide

Argentina Australia Austria Belarus Belgium Brazil Bulgaria Canada Chile China Colombia Croatia Czech Republic Denmark
Estonia Finland France Germany Great Britain Greece Hong Kong Hungary India Indonesia Iran Ireland Israel Italy Japan
Latvia Lithuania Malaysia Mexico Netherlands New Zealand Norway Peru Philippines Poland Romania Russia Serbia Singapore
Slovakia Slovenia South Africa South Korea Spain Sweden Switzerland Taiwan Thailand Turkey Ukraine United States Venezuela

www.festo.com