

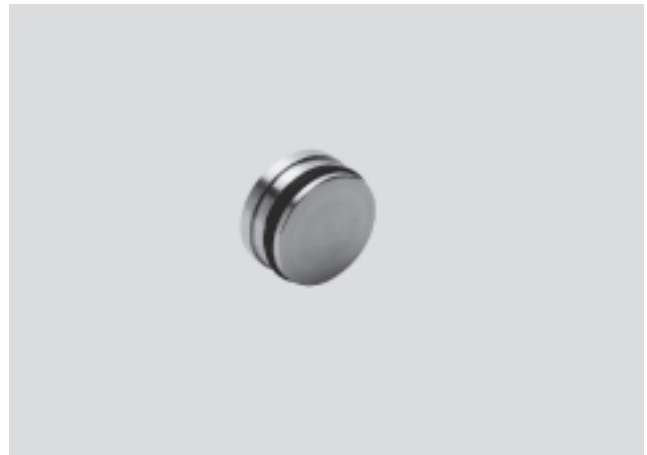
FESTO



Cover Caps

Cover caps

Technical data – Isolating discs

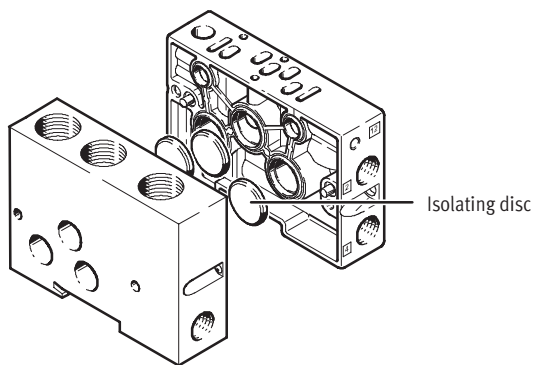
Isolating discs are used to seal air ducts within a valve terminal. This enables different pressure zones to be created, for example.



Ordering data							
View	Product weight [g]	Material	Thickness [mm]	O.D. [mm]	Nominal size [inch]	Part No.	Type
	–	Wrought aluminium alloy	6.6	30	1/2	18 746	NSC-1/2-03-7,0
	3.6	Wrought aluminium alloy	1.4	19.65	1/2	161 105	NSC-1/2-01-VDMA
	2	Wrought aluminium alloy	1.4	16.65	3/8	161 113	NSC-3/8-01-VDMA

Example illustrating the fitting of isolating discs

NSC-...-VDMA



- The figure shows the isolating discs inserted between the adapter plate and valve sub-base.
- Other positioning options are possible (e.g. between two valve sub-bases).

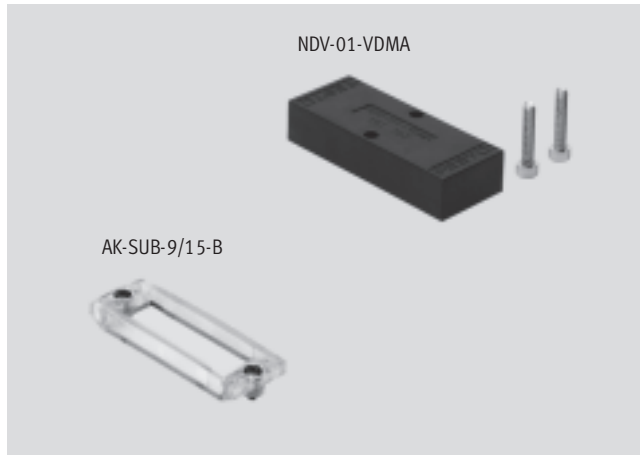
Cover caps

Technical data



Blanking plates allow connections that are not currently required to be sealed off. They guarantee the following functions:

- Operation of the respective component
- Attainment of a protection class
- Hazard prevention (e.g. by covering current carrying parts)



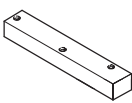
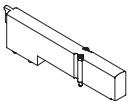
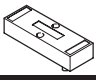
Accessories for valve terminals
Cover caps

5.2

Ordering data								
View	Product weight [g]	Material	Mounting	Operating pressure [bar]	Protection class to EN 60 529 (assembled)	Dimensions (LxWxH) [mm]	Part No.	Type
	20	Polyamide PACM12 (Trogamid), transparent	2 M3x10 screws	–	IP65, IP67	62 x 20 x 8	533 334	AK-SUB-9/15-B
	10	Polyamid PACM12 (Trogamid), transparent	2 M3x14 screws	–	IP65, IP67	20 x 33 x 8	534 496	AK-Rj45
	103	Polypropylene (Celstran)	2 M3x45 screws	–0.9...10	IP65/67	158 x 24 x 42	196 667	CDVI5.0-A-P-1
							193 140	CDVI5.0-A-P-2
	7	Semi-aromatic polyamide (Sucanul)	2 M2x10 screws	10	–	41 x 12.6 x 9.3	527 062	CPASC1-RP
	19	–	–	–0.9...7	IP40	–	527 527	CPASC1-RP-B
	19	–	–	–0.9...7	IP40	–	527 575	CPVSC1-RP
	98	Die-cast aluminium (GD-ALSI12)	2 M4x12 screws	–	–	170.6 x 32 x 11	18 068	IAP-02-1/4
	80	Die-cast aluminium (GD-ALSI12)	2 M4x12 screws	–	–	159.1 x 26 x 11	18 067	IAP-02-1/8

Cover caps

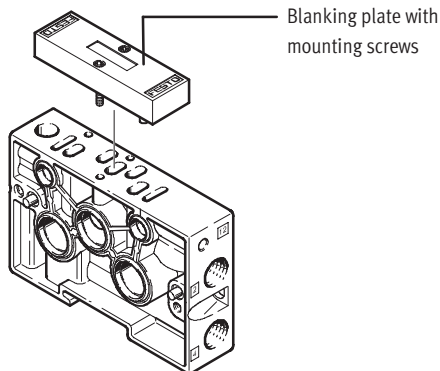
Technical data

Ordering data								
View	Product weight [g]	Material	Mounting	Operating pressure [bar]	Protection class to EN 60 529 (assembled)	Dimensions (LxWxH) [mm]	Part No.	Type
	73	Die-cast aluminium (GD-ALSI12)	2 M4x12 screws	-0.9...10	-	150 x 24 x 17	18 745	IAP-03-7,0
	22	Polyamide 6, (LNP)	3 M3x14 screws	-0.9...10	-	115 x 18 x 8	18 648	IAP-03.4,0
	32	Semi-aromatic polyamide (IXEF 1022)	2 M2x22 screws	Max. 25	-	102.4 x 12.6 x 18.4	533 351	VMPA1-RP¹⁾
	35	Polyamide 6, (LNP)	2 M4x20 screws	Max. 16	-	66 x 26 x 14	161 107	NDV-01-VDMA

1) A self-adhesive label is supplied.

Examples illustrating the attachment of a blanking plate

CPV10-VI-...




- The blanking plate is mounted instead of a valve on the valve terminal.
- A seal between the blanking plate and sub-base closes the connection with a pressure tight seal.
- The blanking plate AK-SUB-9/15-B is an exception. It is used to cover a vacant electrical connection and is therefore less pressure resistant.

Cover caps

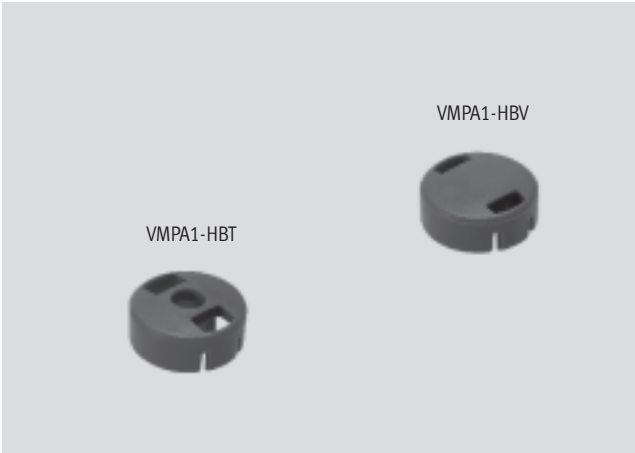
Technical data – Cover caps for manual override

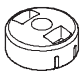


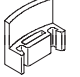



These protective caps allow manual overrides to be locked. They are also protected against accidental actuation.

 Note

It is recommended that you use a pointed tool (screwdriver) to remove the covers from the manual override. Re-use is not advisable.



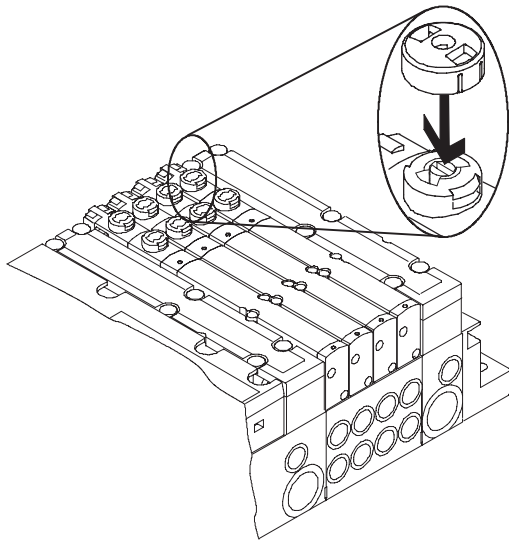
Ordering data						
View	Product weight [g]	Function	Material	Dimensions [mm]	Part No.	Type
	3	Locks the manual override (turning with detent) in the unactuated position and at the same time enables the non-detenting manual override.	Polyacetal (Delrin)	∅ 9.8	533 366	VMPA1-HBT
	3	Locks the manual override (turning with detent) in the unactuated position and at the same time covers the non-detenting manual override.	Polyacetal (Delrin)	∅ 9.8	535 257	VMPA1-HBV
	2	Covers the manual override (turning with detent) in the actuated or unactuated position.	Polyacetal (Delrin)	∅ 10.1	527 393	CPASC1-MO-V
					527 642	CPVSC1-HV
	2.7	Locks the detenting manual override in the actuated or unactuated position. When the detenting manual override is in the unactuated position, the non-detenting manual override is covered at the same time.	Polyacetal CoPo (Hostaform)	HxW: 8.2 x 9.6	530 055	CPV10/14-HV
	7.7				530 056	CPV18-HV
					526 235	CPV18-HHB-VU
	1.7	Locks the detenting manual override in the actuated or unactuated position.	Polyacetal HoPo (Delrin)	HxW: 3.5 x 9.6	526 203	CPV10/14-HS
	5.1				526 204	CPV18-HS
					526 237	CPV18-HHB-T
			Polycarbonate (Makrolon)	HxW: 6.1 x 17.2		

Cover caps

Technical data

Examples illustrating the attachment of protective caps to manual overrides

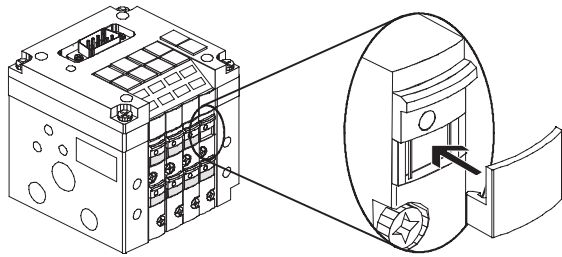
Manual override, detenting via turning



Cover
VMPA1-HBT

- The protective cap is placed on the manual override and locked into position.

Manual override, detenting with slide



Cover
CPV10/14-HV

- The manual override is brought into the desired position (unactuated) and the cover is placed on the slide track of the manual override and locked into position.

Cover caps

Technical data – Plugs



Plugs are inserted/screwed into connections that are not required in order to close these. They guarantee the following functions:

- Operation of the respective component
- Attainment of a protection class
- Hazard prevention (e.g. by covering current carrying parts)



Accessories for valve terminals
Cover caps



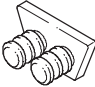
5.2

Ordering data								
View	Product weight [g]	Material	Drive	Thread	Length [mm]	Special features	Part No.	Type
	0.8	Wrought aluminium alloy	External hexagon SW7	M5	8	IP65 (assembled)	3 843	B-M5
	1.2	Free cutting steel	Internal hexagon SW2.5	M5	6.5	IP65 (assembled)	174 308	B-M5-B
	2.6		Internal hexagon SW3	M7	8	IP65 (assembled)	174 309	B-M7
	6.8	Galvanised steel	Internal hexagon SW5	G1/8	11	IP65 (assembled)	3 568	B-1/8
	15.3		Internal hexagon SW6	G1/4	15	IP65 (assembled)	3 569	B-1/4
	24		Internal hexagon SW8	G3/8	15	IP65 (assembled)	3 570	B-3/8
	42		Internal hexagon SW10	G1/2	18	IP65 (assembled)	3 571	B-1/2
		Wrought aluminium alloy	External hexagon SW8	M6	14.4	CRC 4 ¹⁾ IP65/67 (assembled)	532 476	CDVI-5.0-B-M6
	9.9		External hexagon SW10	G1/8	14		196 720	CDVI-5.0-B-G1/8
	35.1		External hexagon SW15	G3/8	21.5		196 712	CDVI-5.0-B-G3/8
	6.9	Polyamide 6, (Wellamid)	External hexagon SW11/Phillips screwdriver H3	M8	10.5	IP65 (assembled)	177 672	ISK-M8
	1.5		External hexagon SW14/Phillips screwdriver H3	M12	13.5	IP65 (assembled)	165 592	ISK-M12

¹⁾ Corrosion resistance class 4 according to Festo standard 940 070
Components requiring higher corrosion resistance. Parts used with aggressive media, e.g. food or chemical industry. These applications should be supported with special tests with the media if required.

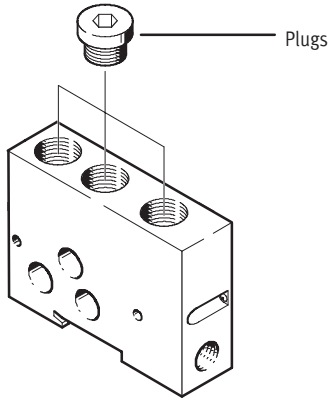
Cover caps

Technical data – Plugs

Ordering data								
View	Product weight [g]	Material	Drive	Dia. of sealable opening	Length [mm]	Special features	Part No.	Type
	17.4	High-alloy steel (X14CrMoS17), galvanised steel,	External hexagon SW8/slotted head screwdriver	15 mm	16.2	-0.95 ... 16 bar hermetically sealed	160 997	PRSV-1/8
	26.7	polyacetal, NBR	External hexagon SW10/slotted head screwdriver	19 mm	17.3	-0.95 ... 16 bar hermetically sealed	160 996	PRSV-1/4
	0.3	Polybuteneter-epthalate	Pushed in by hand	3 mm	22	-0.95 ... 10 bar hermetically sealed	153 382	QSMC-3H
	0.5			4 mm	28		153 267	QSC-4H
	0.5			6 mm	33		153 268	QSC-6H
	1			8 mm	37		153 269	QSC-8H
	2			10 mm	42		153 270	QSC-10H
	2.5			12 mm	44		153 271	QSC-12H
				7	Polyamide 6, (Ultramid)		Pushed in by hand	2...2.7 mm

Examples illustrating the fitting of plugs

B...



- Plugs are screwed or pushed into the openings to be sealed.



Note

When re-using plugs, check the seal and replace if necessary.

Product Range and Company Overview

A Complete Suite of Automation Services

Our experienced engineers provide complete support at every stage of your development process, including: conceptualization, analysis, engineering, design, assembly, documentation, validation, and production.



Custom Automation Components
Complete custom engineered solutions



Custom Control Cabinets
Comprehensive engineering support and on-site services



Complete Systems
Shipment, stocking and storage services

The Broadest Range of Automation Components

With a comprehensive line of more than 30,000 automation components, Festo is capable of solving the most complex automation requirements.



Electromechanical
Electromechanical actuators, motors, controllers & drives



Pneumatics
Pneumatic linear and rotary actuators, valves, and air supply



PLCs and I/O Devices
PLC's, operator interfaces, sensors and I/O devices

Supporting Advanced Automation... As No One Else Can!

Festo is a leading global manufacturer of pneumatic and electromechanical systems, components and controls for industrial automation, with more than 12,000 employees in 56 national headquarters serving more than 180 countries. For more than 80 years, Festo has continuously elevated the state of manufacturing with innovations and optimized motion control solutions that deliver higher performing, more profitable automated manufacturing and processing equipment. Our dedication to the advancement of automation extends beyond technology to the education and development of current and future automation and robotics designers with simulation tools, teaching programs, and on-site services.

Quality Assurance, ISO 9001 and ISO 14001 Certifications

Festo Corporation is committed to supply all Festo products and services that will meet or exceed our customers' requirements in product quality, delivery, customer service and satisfaction.

To meet this commitment, we strive to ensure a consistent, integrated, and systematic approach to management that will meet or exceed the requirements of the ISO 9001 standard for Quality Management and the ISO 14001 standard for Environmental Management.



© Copyright 2008, Festo Corporation. While every effort is made to ensure that all dimensions and specifications are correct, Festo cannot guarantee that publications are completely free of any error, in particular typing or printing errors. Accordingly, Festo cannot be held responsible for the same. For Liability and Warranty conditions, refer to our "Terms and Conditions of Sale", available from your local Festo office. All rights reserved. No part of this publication may be reproduced, distributed, or transmitted in any form or by any means, electronic, mechanical, photocopying or otherwise, without the prior written permission of Festo. All technical data subject to change according to technical update.



Printed on recycled paper at New Horizon Graphic, Inc., FSC certified as an environmentally friendly printing plant.

Festo North America

United States

Customer Resource Center
502 Earth City Expy., Suite 125
Earth City, MO 63045

For ordering assistance, or to find
your nearest Festo Distributor,

Call: 1.800.99.FESTO
Fax: 1.800.96.FESTO
Email: customer.service@us.festo.com

For technical support,

Call: 1.866.GO.FESTO
Fax: 1.800.96.FESTO
Email: product.support@us.festo.com

Headquarters

Festo Corporation
395 Moreland Road
P.O. Box 18023
Hauppauge, NY 11788
www.festo.com/us

Sales Offices

Appleton

N. 922 Tower View Drive, Suite N
Greenville, WI 54942

Boston

120 Presidential Way, Suite 330
Woburn, MA 01801

Chicago

1441 East Business Center Drive
Mt. Prospect, IL 60056

Dallas

1825 Lakeway Drive, Suite 600
Lewisville, TX 75057

Detroit - Automotive Engineering Center
2601 Cambridge Court, Suite 320
Auburn Hills, MI 48326

New York

395 Moreland Road
Hauppauge, NY 11788

Silicon Valley

4935 Southfront Road, Suite F
Livermore, CA 94550

Design and Manufacturing Operations



East: 395 Moreland Road, Hauppauge, NY 11788



Central: 1441 East Business Center Drive, Mt. Prospect, IL 60056



West: 4935 Southfront Road, Suite F, Livermore, CA 94550

Mexico

Headquarters

Festo Pneumatic, S.A.
Av. Ceylán 3, Col. Tequesquahuac
54020 Tlalnepantla, Edo. de México
Call: 011 52 [55] 53 21 66 00
Fax: 011 52 [55] 53 21 66 65
Email: festo.mexico@mx.festo.com
www.festo.com/mx



Canada

Headquarters

Festo Inc.
5300 Explorer Drive
Mississauga, Ontario L4W 5G4
Call: 1.905.624.9000
Fax: 1.905.624.9001
Email: info.ca@ca.festo.com
www.festo.com/ca



Festo Worldwide

Argentina Australia Austria Belarus Belgium Brazil Bulgaria Canada Chile China Colombia Croatia Czech Republic Denmark
Estonia Finland France Germany Great Britain Greece Hong Kong Hungary India Indonesia Iran Ireland Israel Italy Japan
Latvia Lithuania Malaysia Mexico Netherlands New Zealand Norway Peru Philippines Poland Romania Russia Serbia Singapore
Slovakia Slovenia South Africa South Korea Spain Sweden Switzerland Taiwan Thailand Turkey Ukraine United States Venezuela

www.festo.com