

Flat Cylinders DZF - Inch Series

Overview

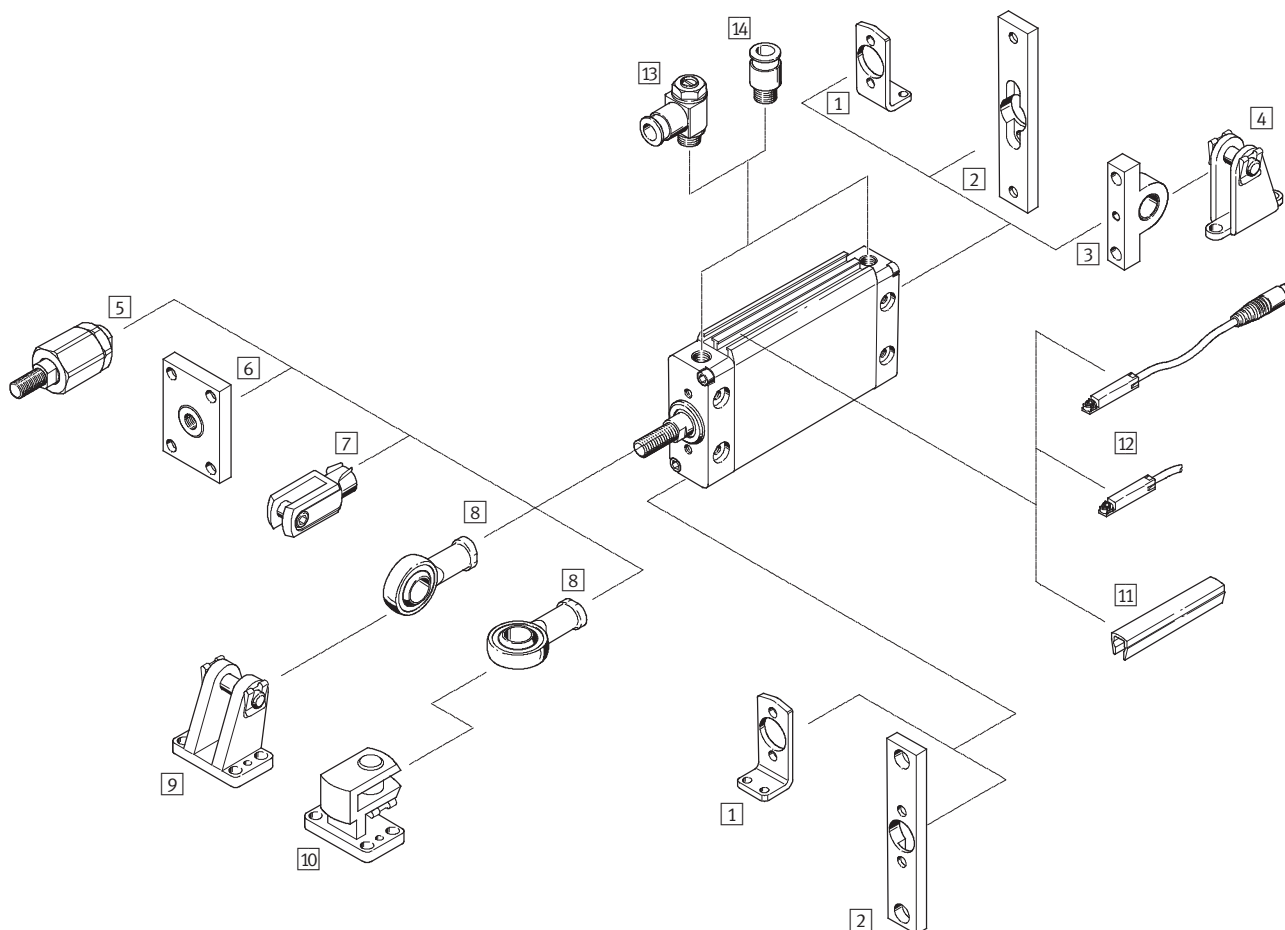


- Non-rotating oval piston
- Piston \varnothing 1/2" to 2-1/2"
- Strokes up to 12"
- Double-acting
- Moment capacity up to 13.3 lbf-in
- Male or female rod thread
- Extensive range of accessories
- Versatile mounting options

Product range overview									
Function	Design	Type	Piston \varnothing [in]	Standard stroke [in]	Variable stroke [in]	Magnet for position sensing (A)	Piston rod		Heat resistant seals up to 302 °F (S6)
							female thread	male thread	
Double-acting flat cylinder		DZF Single-ended piston rod	1/2, 11/16, 1	1/2, 1, 2, 3, 4, 5, 6, 8	0.04 ... 8	■	■	■	■
			1-1/4, 1-5/8, 2, 2-1/2	1/2, 1, 2, 3, 4, 5, 6, 8, 10, 12	0.04... 13				
		DZF-...-S2 Through piston rod	1/2, 11/16, 1	-	0.04 ... 8	■	■	■	-
			1-1/4, 1-5/8, 2, 2-1/2	-	0.04 ... 13				
		DZF-...-S20 Through, hollow piston rod	1/2, 11/16, 1	-	0.04 ... 8	■	■	■	-
			1-1/4, 1-5/8, 2, 2-1/2	-	0.04 ... 13				

Flat cylinders DZF - Inch Series

Accessories overview



Mounting attachments and accessories		Description
1	Foot mounting HZF	for bearing and end caps
2	Flange mounting FZF	for bearing and end caps
3	Swivel flange SZF	for end caps
4	Clevis foot LZF	–
5	Self-aligning rod coupler FK	for compensating radial and angular deviations
6	Coupling piece KSZ	for cylinders with a non-rotating piston rod to compensate for radial deviations
7	Rod clevis SG	permits a swivelling movement of the cylinder in one plane
8	Rod eye SGS	with spherical bearing
9	Clevis foot LBG	–
10	Right-angle clevis foot LQG	–
11	Slot cover ABP-5-S	to protect the sensor cable and keep dirt out of the sensor slots
12	Proximity sensor SME/SMT-8	can be integrated in the cylinder profile barrel
13	One-way flow control valve GRLA/GRLZ	to regulate speed
14	Push-in fitting QS	for connecting compressed air tubing with standard external diameters

Flat cylinders DZF - Inch Series

Technical Data



Double-acting



- N- Equivalent Piston Diameter
1/2 ... 2-1/2 inch
- T- Stroke length
0.4... 10 inch

Options:

- Non-rotating elliptical piston
- Male or female rod thread
- Through piston rod (S2)
- Through, hollow piston rod (S20)
- Heat resistant (S6)



General technical data								
Piston Ø	1/2	11/16	1	1-1/4	1-5/8	2	2-1/2	
Pneumatic connection	10-32 UNF	10-32 UNF	10-32 UNF	1/8" NPT	1/8" NPT	1/4" NPT	1/4" NPT	
Piston rod thread	female	4-48 UNF	8-36 UNF	10-32 UNF	1/4-28 UNF	5/16-24 UNF	3/8-24 UNF	3/8-24 UNF
	male	10-32 UNF	5/16-24 UNF	3/8-24 UNF	3/8-24 UNF	1/2-20 UNF	5/8-18 UNF	5/8-18 UNF
Operating medium	Filtered compressed air, lubricated or unlubricated							
Constructional design	Piston							
	Piston rod							
Cushioning	Flexible cushioning rings at both ends							
Magnet for position sensing ¹⁾	Standard							

1) Position sensing via magnetic proximity sensor (ordered separately, see accessories).

Operating pressure [psi]							
Piston Ø	1/2	11/16	1	1-1/4	1-5/8	2	2-1/2
	23 ... 145	15 ... 145					

Ambient conditions		
Variant	Basic version	S6
Ambient temperature ¹⁾ [°F]	0 ... +176	0 ... +302
Corrosion resistance class CRC ²⁾	2	2

1) Observe operating range of proximity sensors.

CRC2: Corrosion resistance class to Festo standard 940070

Components with medium corrosion exposure. Externally visible components with significant decorative function in direct contact with normal industrial atmosphere or media such as coolants and lubricants.

Forces [lbf] and impact energy [ft-lbf]							
Piston Ø	1/2	11/16	1	1-1/4	1-5/8	2	2-1/2
Theoretical force at 90 psi, extending	15.2	36.3	66.1	108.2	168.9	263.9	418.9
	S2/S20 11.4	27.3	55.3	93.0	141.8	221.8	376.8
Theoretical force at 90 psi, retracting	11.4	27.3	55.3	93.0	141.8	221.8	376.8
	S2/S20 11.4	27.3	55.3	93.0	141.8	221.8	376.8
Max. impact energy at endpositions	0.07	0.07	0.07	0.30	0.38	0.47	0.52

Torque [lbf-in] and torsional backlash [°]							
Piston Ø	1/2	11/16	1	1-1/4	1-5/8	2	2-1/2
Max. torque at the piston rod ¹⁾	0.9	1.8	4.4	7.1	8.9	10.6	13.3
Max. torsional backlash of the piston rod	±2.5	±1.2	±1.0	±0.8	±0.6	±0.5	±0.4

1) The max. torque must also be observed when fitting mounting attachments to the piston rod.

Flat cylinders DZF - Inch Series

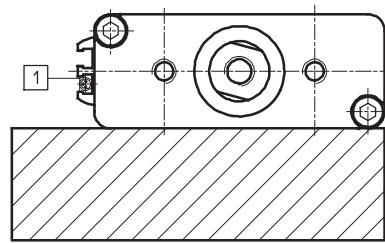
Data sheet



Weights [oz]							
Piston Ø	1/2	11/16	1	1-1/4	1-5/8	2	2-1/2
Product weight at 0 inch stroke	3.4	3.8	5.9	9.6	16.9	30.2	48.7
Additional weight per 1 inch stroke	0.8	1.2	1.6	2.2	3.6	5.7	8.2

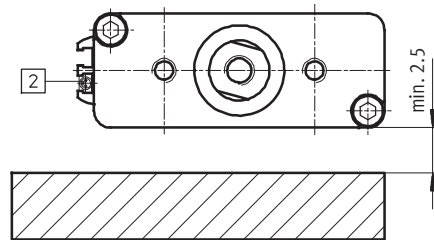
Safety clearances for reliable switching function

Cylinders mounted to ferritic surfaces



1 SMT-8...

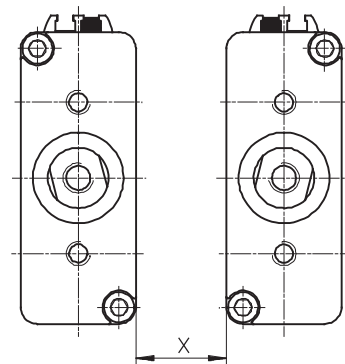
If a proximity sensor SME-8 is used, with piston Ø 1/2 to 1-1/4 inch, a minimum clearance to the ferritic component of 2.5 inch must be maintained. SMT-8 can be used regardless of clearance.



2 SME-8...

Cylinder to cylinder spacing

Safety clearance X must be maintained when connecting cylinders together in series, as the stray fields of the switching magnets can result in incorrect switching.



Piston Ø		1/2	11/16	1	1-1/4	1-5/8	2	2-1/2
Min. safety clearance X	SMT-8...	1.4			1.0	1.8		3.1
[in]	SME-8...	2.0			1.8	2.6		2.0

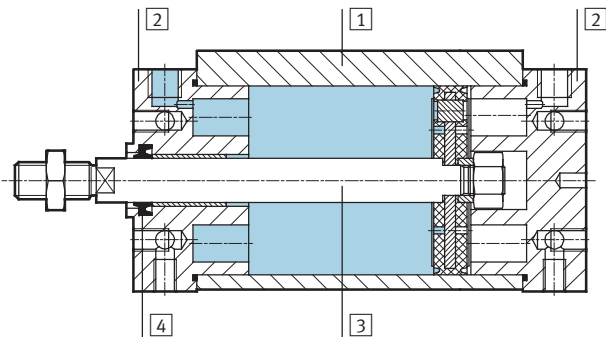
Flat cylinders DZF - Inch Series

Data sheet



Materials

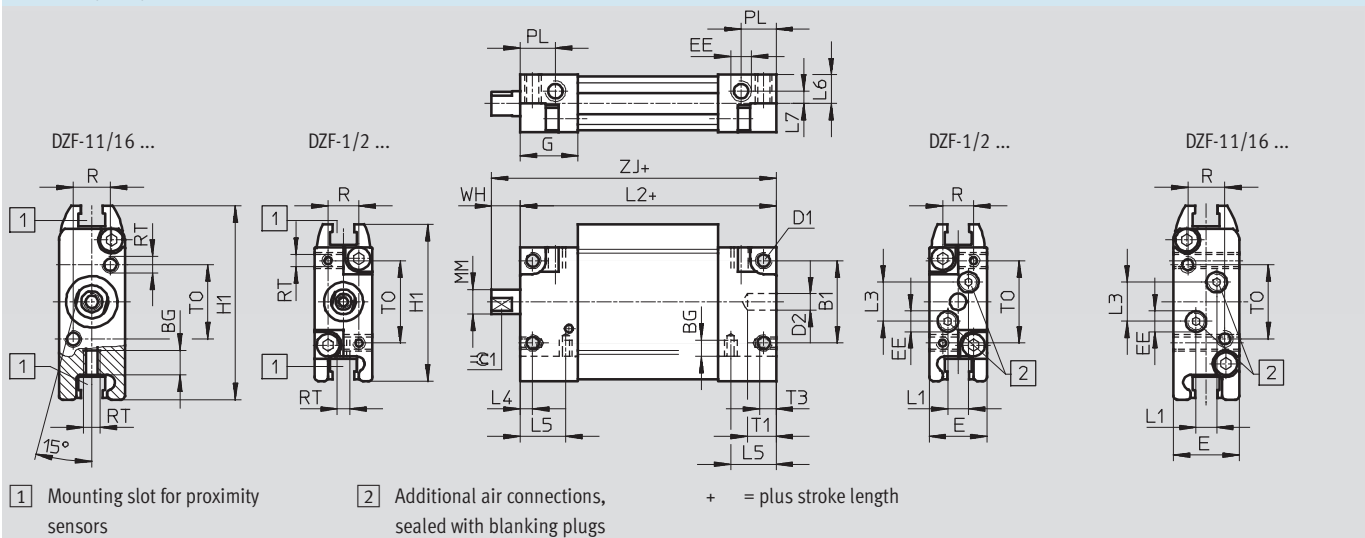
Sectional view



Cylinder	Basic version	S6
1 Cylinder barrel	Wrought aluminum alloy, anodized	Wrought aluminum alloy, anodized
2 Bearing end cap	Wrought aluminum alloy	Wrought aluminum alloy
3 Piston rod	$\varnothing 1/2 \dots 1$ High-alloy stainless steel $\varnothing 1-1/4 \dots 2-1/2$ High-alloy steel	High-alloy stainless steel High-alloy steel
4 Dynamic seals	Polyurethane	Fluorocarbon rubber

Dimensions – Basic version

Piston $\varnothing 1/2, 11/16$



\varnothing [in]	B1	BG	D1	D2 \varnothing	E	EE	G	H1	L1	L2	L3	L4	L5
1/2	0.8	0.15	8-32 UNC	0.15	0.6	10-32 UNF	0.6	1.5	0.2	2.4	0.37	0.12	0.4
11/16	0.8	0.24	8-32 UNC	0.15	0.6	10-32 UNF	0.6	1.9	0.2	2.4	0.37	0.14	0.2

\varnothing [in]	L6	L7	MM \varnothing	PL	R	RT	T1	T3	TO	WH	ZJ	$\approx \varnothing 1$ [mm]
1/2	0.28	0.12	0.24	0.33	0.30	4-48 UNF	0.28	0.16	0.8	0.28	2.7	5
11/16	-	-	0.31	0.33	0.35	8-32 UNC	0.28	0.24	0.7	0.28	2.7	7

Dimensions are in inches, unless otherwise noted.

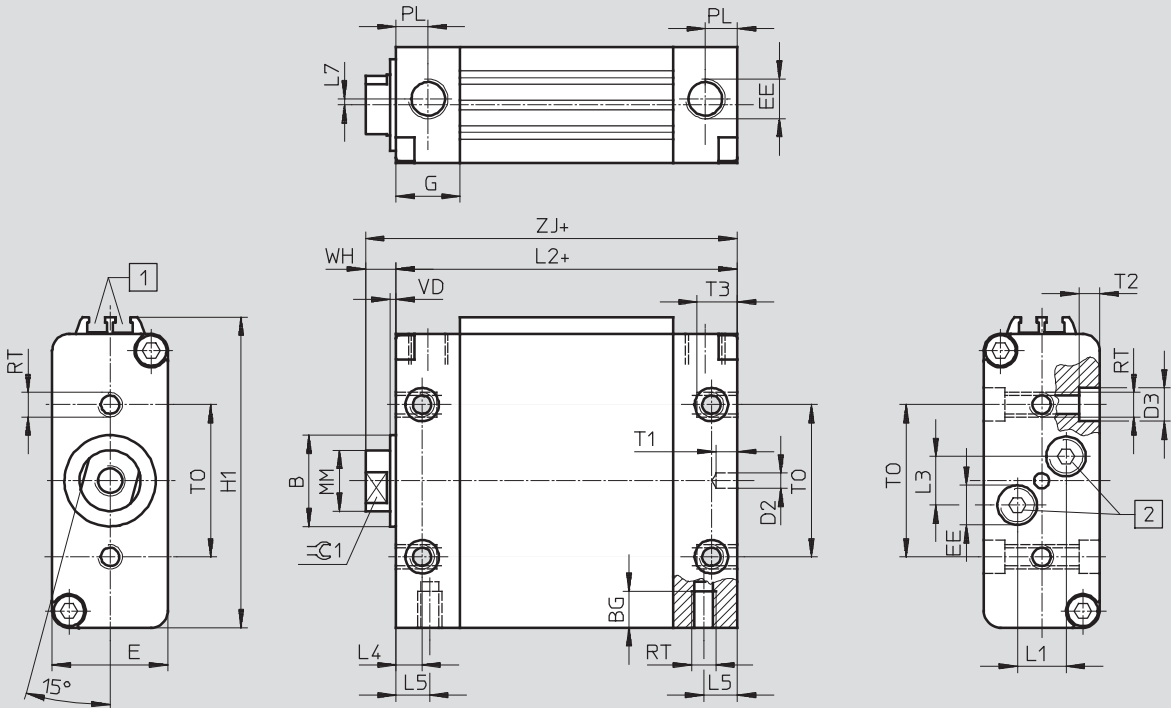
Flat cylinders DZF - Inch Series

Data sheet



Dimensions – Basic version

Piston \varnothing 1 ...2-1/2



1 Mounting slot for proximity sensors

2 Additional air connections, sealed with blanking plugs

+ = plus stroke length

\varnothing [in]	B \varnothing	BG	D2 \varnothing	D3 \varnothing	E	EE	G	H1	L1	L2	L3	L4
1	0.6	0.3	0.2	0.3	0.8	10-32 UNF	0.5	2.2	0.2	2.4	0.4	0.2
1-1/4	0.8	0.4	0.2	0.4	0.9	1/8" NPT	0.7	2.6	0.3	2.8	0.6	0.3
1-5/8	1.0	0.4	0.2	0.4	1.2	1/8" NPT	0.7	3.2	0.3	3.0	0.6	0.3
2	1.2	0.5	0.2	0.4	1.5	1/4" NPT	0.8	4.0	0.6	3.2	0.6	0.3
2-1/2	1.2	0.6	0.2	0.6	2.0	1/4" NPT	0.8	5.0	0.7	3.2	0.8	0.3

\varnothing [in]	L5	L7	MM \varnothing	PL	RT	T1	T2	T3	T0	VD	WH	ZJ	\approx C1 [mm]
1	0.2	-	0.4	0.2	10-24 UNC	0.3	0.2	0.3	1.0	0.1	0.3	2.8	9
1-1/4	0.3	0.1	0.5	0.3	1/4-20 UNC	0.3	0.2	0.4	1.3	0.1	0.3	3.1	10
1-5/8	0.3	-	0.6	0.3	1/4-20 UNC	0.3	0.2	0.4	1.6	0.1	0.4	3.3	13
2	0.3	-	0.8	0.4	5/16-18 UNC	0.3	0.2	0.5	2.0	0.1	0.4	3.6	17
2-1/2	0.3	-	0.8	0.4	3/8-16 UNC	0.3	0.2	0.6	2.4	0.1	0.4	3.6	17

Dimensions are in inches, unless otherwise noted.

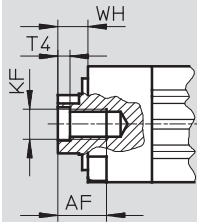
Flat cylinders DZF - Inch Series

Data sheet

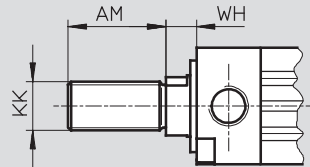


Dimensions – Options

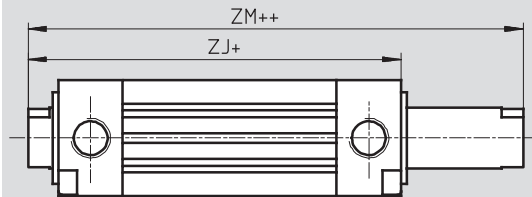
Basic version with female thread



Basic version with male thread

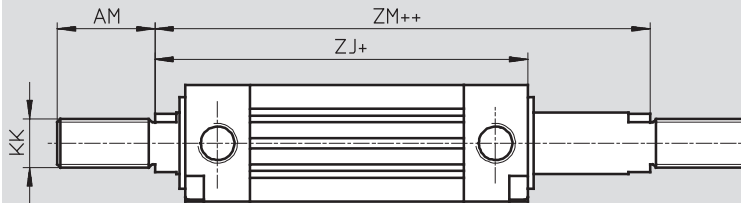


S2 – Through piston rod with female thread



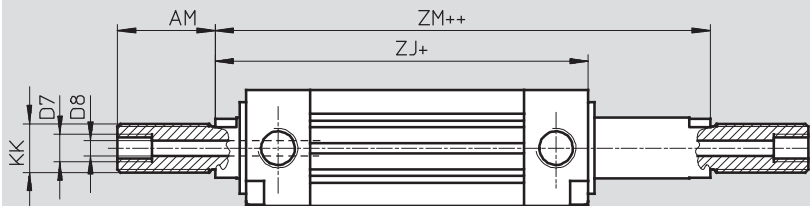
+ = plus stroke length
++ = plus 2x stroke length

S2 – Through piston rod with male thread



+ = plus stroke length
++ = plus 2x stroke length

S20 – Through, hollow piston rod



+ = plus stroke length
++ = plus 2x stroke length

∅ [in]	AF	AM	D7	D8 ∅	KF	KK	T4	WH	ZJ	ZM
1/2	0.3	0.6	-	0.07	4-48 UNF	10-32 UNF	0.06	0.3	2.7	3.0
11/16	0.4	0.8	-	0.11	8-36 UNF	5/16-24 UNF	0.06	0.3	2.7	3.0
1	0.5	0.9	-	0.15	10-32 UNF	3/8-24 UNF	0.08	0.3	2.8	3.1
1-1/4	0.6	0.9	-	0.18	1/4-28 UNF	3/8-24 UNF	0.10	0.3	3.1	3.5
1-5/8	0.6	0.9	-	0.2	5/16-24 UNF	1/2-20 UNF	0.13	0.4	3.3	3.7
2	0.8	1.3	1/4-18 NPT	0.3	3/8-24 UNF	5/8-18 UNF	0.19	0.4	3.6	4.0
2-1/2	0.8	1.3	1/4-18 NPT	0.3	3/8-24 UNF	5/8-18 UNF	0.19	0.4	3.6	4.0

Dimensions are in inches, unless otherwise noted.

Flat cylinders DZF - Inch Series

Ordering Data



M Mandatory data						O Options	
Function	Piston Ø	Stroke	Piston rod thread	Cushioning	Magnet for position sensing	Type of piston rod	Temperature Resistant
DZF	1/2 1 1/16 1 1 1/4 1 5/8 2 2 1/2	0.40 ... 12	A	P	A	S2 S20	S6
DZF	- 1 1/4	- 10	- DZF	- P	- A	- S6	

Ordering table										
Size	1/2	1 1/16	1	1 1/4	1 5/8	2	2 1/2	Conditions	Code	Enter code
M Function	Flat, double-acting cylinder								DZF	DZF
Piston Ø [in]	1/2	1 1/16	1	1 1/4	1 5/8	2	2 1/2		-...	
Stroke [in]	0.4 ... 12								-...	
Piston rod thread	Female thread								-	
	Male thread								-A	
Cushioning	Flexible cushioning rings at both ends								-P	-P
Magnet for position sensing	For use with magnetic proximity sensor								-A	-A
O Type of piston rod	Through piston rod								-S2	
	Through, hollow piston rod								-S20	
Temperature-resistant	Heat-resistant seals up to max. 302 °F							¹	-S6	

¹ Not in combination with S2 or S20

Transfer order code

DZF - - - - **P** - **A** -

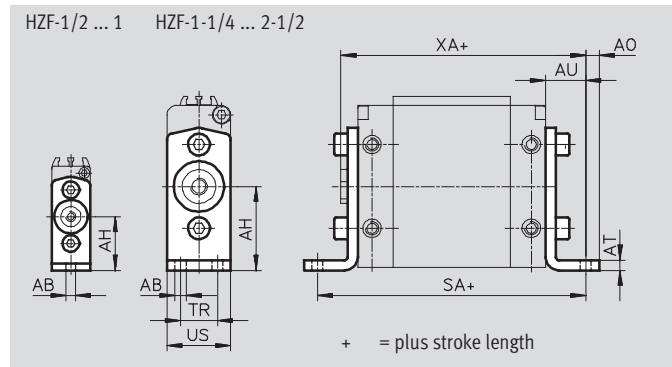
Flat cylinders DZF - Inch Series

Accessories



Foot mounting HZF

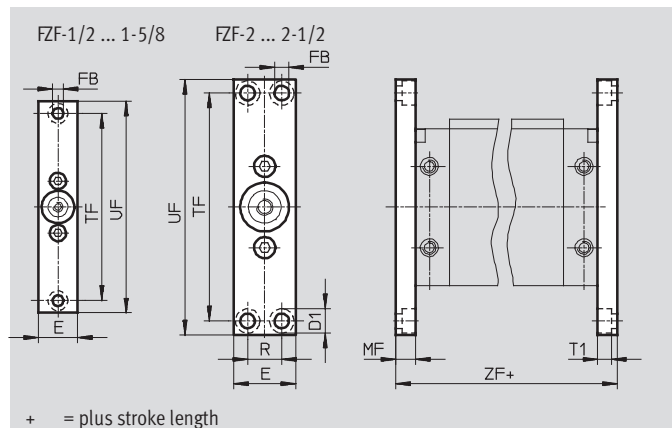
Material:
Steel



Dimensions and ordering data												
For \varnothing [in]	AB \varnothing	AH	AO	AT	AU	SA	TR	US	XA	Weight [oz]	Part No.	Type
1/2	0.18	1.0	0.2	0.1	0.5	3.5	-	0.6	3.2	0.28	546560	HZF-1/2"
11/16	0.22	1.1	0.2	0.1	0.7	3.8	-	0.6	3.4	0.35	546561	HZF-11/16"
1	0.22	1.1	0.3	0.1	0.6	3.7	-	0.8	3.4	0.74	546562	HZF-1"
1-1/4	0.22	1.3	0.2	0.1	0.7	4.3	0.5	0.9	3.9	0.95	546563	HZF-1 1/4"
1-5/8	0.22	1.6	0.3	0.2	0.8	4.6	0.6	1.2	4.1	2.01	546564	HZF-1 5/8"
2	0.26	2.0	0.3	0.2	0.9	5.1	0.9	1.5	4.6	3.42	546565	HZF-2"
2-1/2	0.35	2.5	0.4	0.2	1.1	5.4	1.2	2.0	4.7	5.89	546566	HZF-2 1/2"

Flange mounting FZF

Material:
Wrought aluminum alloy



Dimensions and ordering data												
For \varnothing [in]	D1 \varnothing	E	FB \varnothing	MF	R	T1	TF	UF	ZF	Weight [oz]	Part No.	Type
1/2	0.3	0.6	0.18	0.3	-	0.18	3.0	3.5	3.1	0.71	546553	FZF-1/2"
11/16	0.3	0.6	0.18	0.3	-	0.18	3.1	3.7	3.1	0.85	546554	FZF-11/16"
1	0.4	0.8	0.22	0.4	-	0.22	3.9	4.4	3.2	1.76	546555	FZF-1"
1-1/4	0.4	0.9	0.26	0.4	-	0.26	4.5	5.1	3.6	2.40	546556	FZF-1 1/4"
1-5/8	0.4	1.2	0.26	0.4	-	0.25	5.2	5.7	3.8	3.46	546557	FZF-1 5/8"
2	0.6	1.5	0.35	0.5	0.8	0.33	5.5	6.2	4.2	5.19	546558	FZF-2"
2-1/2	0.6	2.0	0.35	0.6	1.3	0.33	5.5	6.2	4.4	9.14	546559	FZF-2 1/2"

Dimensions are in inches, unless otherwise noted.

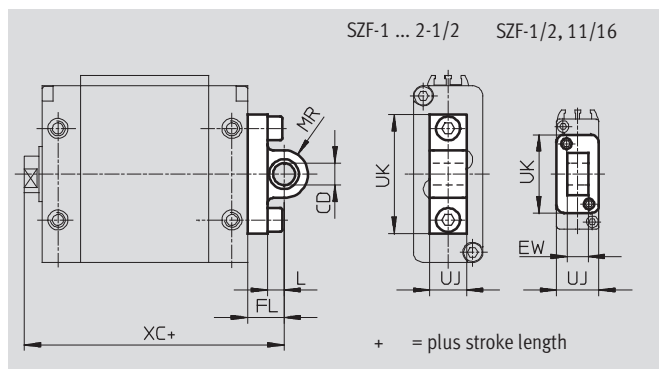
Flat cylinders DZF - Inch Series

Accessories



Swivel flange SZF

Material:
Corrosion resistant cast steel

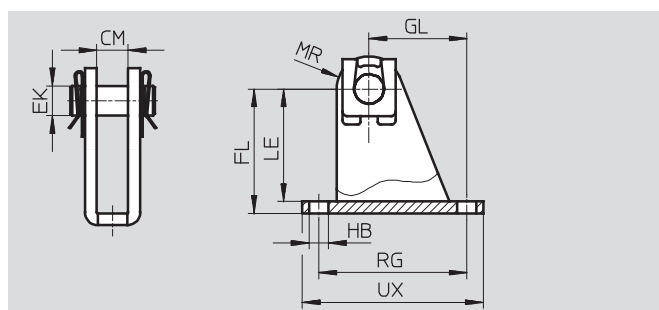


Dimensions and ordering data											
For \varnothing [in]	CD \varnothing	EW	FL	L	MR	UJ	UK	XC	CRC ¹⁾	Part No.	Type
1/2	0.3	0.3	0.6	0.5	0.3	0.6	1.0	3.3	2	546567	SZF-1/2"
11/16	0.3	0.3	0.7	0.6	0.3	0.6	1.0	3.4	2	546568	SZF-11/16"
1	0.3	-	0.6	0.3	0.3	0.4	1.5	3.3	2	546569	SZF-1"
1-1/4	0.4	-	0.6	0.2	0.4	0.4	1.7	3.7	2	546570	SZF-1 1/4"
1-5/8	0.5	-	0.7	0.4	0.5	0.4	2.0	4.1	2	546571	SZF-1 5/8"
2	0.5	-	0.8	0.4	0.5	0.8	2.6	4.4	2	546572	SZF-2"
2-1/2	0.6	-	0.9	0.5	0.7	1.0	3.1	4.6	2	546573	SZF-2 1/2"

1) Corrosion resistance class 2 according to Festo standard 940 070
Components with moderate corrosion resistance for use in normal industrial environments subjected to contact with coolants or lubricating agents.

Clevis foot LZF

Material:
Steel



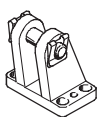
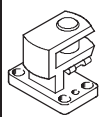
Dimensions and ordering data											
For \varnothing [in]	CM	EK \varnothing	FL	GL	HB \varnothing	LE	MR	RG	UX	Part No.	Type
1/2	0.28	0.3	1.3	0.7	0.2	1.1	0.3	1.2	1.5	163962	LZF-12/18
11/16	0.28	0.3	1.3	0.7	0.2	1.1	0.3	1.2	1.5	163962	LZF-12/18
1	0.36	0.3	1.4	1.0	0.2	1.3	0.4	1.6	1.9	163963	LZF-25
1-1/4	0.42	0.4	1.7	1.3	0.3	1.5	0.4	2.0	2.4	163964	LZF-32
1-5/8	0.42	0.5	2.0	1.2	0.3	1.9	0.6	2.0	2.4	163965	LZF-40
2	0.79	0.5	2.2	0.9	0.4	2.0	0.6	1.2	1.8	163966	LZF-50
2-1/2	0.99	0.6	2.7	1.3	0.4	2.5	0.7	1.6	2.4	163967	LZF-63

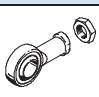
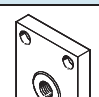
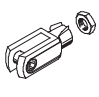
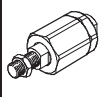
Dimensions are in inches, unless otherwise noted.

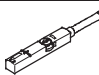
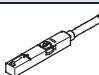
Flat cylinders DZF - Inch Series

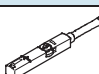
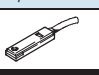
Accessories

FESTO

Ordering data – Mounting attachments							
Designation	For Ø [in]	Part No.	Type	Designation	For Ø [in]	Part No.	Type
Clevis foot LBG				Right-angle clevis foot LQG			
	1-1/4	31761	LBG-32		1-1/4	31768	LQG-32
	1-5/8	31762	LBG-40		1-5/8	31769	LQG-40
	2	31763	LBG-50		2	31770	LQG-50
	2-1/2	31764	LBG-63		2-1/2	31771	LQG-63

Ordering data – Piston rod attachments							
Designation	For Ø [in]	Part No.	Type	Designation	For Ø [in]	Part No.	Type
Rod eye SGS				Coupling piece KSZ			
	1/2	532694	SGS-10-32		1/2	–	
	11/16	13002871	SGS-5/16-24		11/16		
	1, 1-1/4	532696	SGS-3/8-24		1, 1-1/4	36129	KSZ-3/8-24-UNF
	1-5/8	532697	SGS-1/2-20		1-5/8	36130	KSZ-1/2-20-UNF
	2, 2-1/2	532698	SGS-5/8-18		2, 2-1/2	36131	KSZ-5/8-18-UNF
Rod clevis SG				Self-aligning rod coupler FK			
	1/2	13005667	SG-10-32		1/2	532703	FK-10-32
	11/16	11129	SG-5/16"-24		11/16	532704	FK-5/16-24
	1, 1-1/4	546540	SG-3/8"-24-B		1, 1-1/4	532705	FK-3/8-24
	1-5/8	546545	SG-1/2-20-B		1-5/8	532706	FK-1/2-20
	2, 2-1/2	546575	SG-5/8-18-B		2, 2-1/2	532707	FK-5/8-18



Ordering data – Proximity switches for T-slot, magneto-resistive					Technical data → www.festo.com/catalog/sm	
	Type of mounting	Switch output	Electrical connection	Cable length [m]	Part No.	Type
N/O contact						
	Insertable in the slot from above, flush with cylinder profile	PNP	Cable, 3-wire	2.5	543867	SMT-8M-PS-24V-K-2,5-OE
			Plug M8x1, 3-pin	0.3	543866	SMT-8M-PS-24V-K-0,3-M8D
			Plug M12x1, 3-pin	0.3	543869	SMT-8M-PS-24V-K-0,3-M12
	Insertable in the slot lengthwise, flush with the cylinder profile	PNP	Cable, 3-wire	2.5	543870	SMT-8M-NS-24V-K-2,5-OE
			Plug M8x1, 3-pin	0.3	543871	SMT-8M-NS-24V-K-0,3-M8D
			Plug M8x1, 3-pin	0.3	175436	SMT-8-PS-K-LED-24-B
			Plug M8x1, 3-pin	0.3	175484	SMT-8-PS-S-LED-24-B
N/C contact						
	Insertable in the slot from above, flush with cylinder profile	PNP	Cable, 3-wire	7.5	543873	SMT-8M-PO-24V-K7,5-OE

Ordering data – Proximity switches for T-slot, magnetic reed					Technical data → www.festo.com/catalog/sm	
	Type of mounting	Switch output	Electrical connection	Cable length [m]	Part No.	Type
N/O contact						
	Insertable in the slot from above, flush with cylinder profile	Contacting	Cable, 3-wire	2.5	543862	SME-8M-DS-24V-K-2,5-OE
			Cable, 3-wire	5.0	543863	SME-8M-DS-24V-K-5,0-OE
			Plug M8x1, 3-pin	0.3	543872	SME-8M-ZS-24V-K-2,5-OE
	Insertable in the slot lengthwise, flush with the cylinder profile	Contacting	Cable, 3-wire	2.5	150855	SME-8-K-LED-24
			Plug M8x1, 3-pin	0.3	150857	SME-8-S-LED-24
N/C contact						
	Insertable in the slot lengthwise, flush with the cylinder profile	Contacting	Cable, 3-wire	7.5	160251	SME-8-O-K-LED-24



Flat cylinders DZF - Inch Series

Accessories

FESTO

Ordering data – Connecting cables				Technical data → www.festo.com/catalog/nebu	
	Electrical connection, left	Electrical connection, right	Cable length [m]	Part No.	Type
	Straight socket, M8x1, 3-pin	Cable, open end, 3-wire	2.5	541333	NEBU-M8G3-K-2.5-LE3
			5.0	541334	NEBU-M8G3-K-5-LE3
	Straight socket, M12x1, 5-pin	Cable, open end, 3-wire	2.5	541363	NEBU-M12G5-K-2.5-LE3
			5.0	541364	NEBU-M12G5-K-5-LE3
	Angled socket, M8x1, 3-pin	Cable, open end, 3-wire	2.5	541338	NEBU-M8W3-K-2.5-LE3
			5.0	541341	NEBU-M8W3-K-5-LE3
	Angled socket, M12x1, 5-pin	Cable, open end, 3-wire	2.5	541367	NEBU-M12W5-K-2.5-LE3
			5.0	541370	NEBU-M12W5-K-5-LE3

Ordering data – Slot cover for T-slot			
	Mounting	Length [ft]	Part No. Type
	inserted from above	2x 0.5	151680 ABP-5-S

Ordering data – One-way flow control valves			
	Connection		Part No. Type
	Thread	For tubing OD	
For exhaust air			
	10-32 UNF	5/32	165008 GRLA-10-32-UNF-QS-5/32-U
		1/4	192753 GRLA-10-32-UNF-QS-1/4-U
	1/8" NPT	5/32	165009 GRLA-1/8-NPT-QS-5/32-U
		3/16	190941 GRLA-1/8-NPT-QS-3/16-U
		1/4	165010 GRLA-1/8-NPT-QS-1/4-U
		5/16	165013 GRLA-1/8-NPT-QS-5/16-U
	1/4" NPT	3/16	190944 GRLA-1/4-NPT-QS-3/16-U
		1/4	165011 GRLA-1/4-NPT-QS-1/4-U
		5/16	165014 GRLA-1/4-NPT-QS-5/16-U
		3/8	190947 GRLA-1/4-NPT-QS-3/8-U
	3/8" NPT	1/4	165012 GRLA-3/8-NPT-QS-1/4-U
		5/16	165015 GRLA-3/8-NPT-QS-5/16-U
3/8		190950 GRLA-3/8-NPT-QS-3/8-U	
		1/2	190951 GRLA-3/8-NPT-QS-1/2-U
For supply air			
	10-32 UNF	–	151576 GRLZ-10-UNF-B
		–	151579 GRLZ-10-UNF-RS-B
		3/16	151577 GRLZ-10-UNF-3/16-B
		1/4	151578 GRLZ-10-UNF-1/4-B
	1/8" NPT	–	151561 GRLZ-1/8-NPT-B
		–	151564 GRLZ-1/8-NPT-RS-B
		1/4	151562 GRLZ-1/8-NPT-1/4-B

Product Range and Company Overview

A Complete Suite of Automation Services

Our experienced engineers provide complete support at every stage of your development process, including: conceptualization, analysis, engineering, design, assembly, documentation, validation, and production.



Custom Automation Components
Complete custom engineered solutions



Custom Control Cabinets
Comprehensive engineering support and on-site services



Complete Systems
Shipment, stocking and storage services

The Broadest Range of Automation Components

With a comprehensive line of more than 30,000 automation components, Festo is capable of solving the most complex automation requirements.



Electromechanical
Electromechanical actuators, motors, controllers & drives



Pneumatics
Pneumatic linear and rotary actuators, valves, and air supply



PLCs and I/O Devices
PLC's, operator interfaces, sensors and I/O devices

Supporting Advanced Automation... As No One Else Can!

Festo is a leading global manufacturer of pneumatic and electromechanical systems, components and controls for industrial automation, with more than 12,000 employees in 56 national headquarters serving more than 180 countries. For more than 80 years, Festo has continuously elevated the state of manufacturing with innovations and optimized motion control solutions that deliver higher performing, more profitable automated manufacturing and processing equipment. Our dedication to the advancement of automation extends beyond technology to the education and development of current and future automation and robotics designers with simulation tools, teaching programs, and on-site services.

Quality Assurance, ISO 9001 and ISO 14001 Certifications

Festo Corporation is committed to supply all Festo products and services that will meet or exceed our customers' requirements in product quality, delivery, customer service and satisfaction.

To meet this commitment, we strive to ensure a consistent, integrated, and systematic approach to management that will meet or exceed the requirements of the ISO 9001 standard for Quality Management and the ISO 14001 standard for Environmental Management.



© Copyright 2008, Festo Corporation. While every effort is made to ensure that all dimensions and specifications are correct, Festo cannot guarantee that publications are completely free of any error, in particular typing or printing errors. Accordingly, Festo cannot be held responsible for the same. For Liability and Warranty conditions, refer to our "Terms and Conditions of Sale", available from your local Festo office. All rights reserved. No part of this publication may be reproduced, distributed, or transmitted in any form or by any means, electronic, mechanical, photocopying or otherwise, without the prior written permission of Festo. All technical data subject to change according to technical update.



Printed on recycled paper at New Horizon Graphic, Inc., FSC certified as an environmentally friendly printing plant.

Festo North America

Festo Regional Contact Center

5300 Explorer Drive
Mississauga, Ontario L4W 5G4
Canada

USA Customers:

For ordering assistance,
Call: 1.800.99.FESTO (1.800.993.3786)
Fax: 1.800.96.FESTO (1.800.963.3786)
Email: customer.service@us.festo.com

For technical support,
Call: 1.866.GO.FESTO (1.866.463.3786)
Fax: 1.800.96.FESTO (1.800.963.3786)
Email: product.support@us.festo.com

Canadian Customers:

Call: 1.877.GO.FESTO (1.877.463.3786)
Fax: 1.877.FX.FESTO (1.877.393.3786)
Email: festo.canada@ca.festo.com

USA Headquarters

Festo Corporation
395 Moreland Road
P.O. Box 18023
Hauppauge, NY 11788, USA
www.festo.com/us

USA Sales Offices

Appleton

North 922 Tower View Drive, Suite N
Greenville, WI 54942, USA

Boston

120 Presidential Way, Suite 330
Woburn, MA 01801, USA

Chicago

1441 East Business Center Drive
Mt. Prospect, IL 60056, USA

Dallas

1825 Lakeway Drive, Suite 600
Lewisville, TX 75057, USA

Detroit – Automotive Engineering Center

2601 Cambridge Court, Suite 320
Auburn Hills, MI 48326, USA

New York

395 Moreland Road
Hauppauge, NY 11788, USA

Silicon Valley

4935 Southfront Road, Suite F
Livermore, CA 94550, USA

United States



USA Headquarters, East: Festo Corp., 395 Moreland Road, Hauppauge, NY 11788
Phone: 1.631.435.0800; Fax: 1.631.435.8026;
Email: info@festo-usa.com www.festo.com/us

Canada



Headquarters: Festo Inc., 5300 Explorer Drive, Mississauga, Ontario L4W 5G4
Phone: 1.905.624.9000; Fax: 1.905.624.9001;
Email: festo.canada@ca.festo.com www.festo.ca

Mexico



Headquarters: Festo Pneumatic, S.A., Av. Ceylán 3, Col. Tequesquahuac,
54020 Tlalnequahuc, Edo. de México
Phone: 011 52 [55] 53 21 66 00; Fax: 011 52 [55] 53 21 66 65;
Email: festo.mexico@mx.festo.com www.festo.com/mx

Central USA

Festo Corporation
1441 East Business
Center Drive
Mt. Prospect, IL 60056, USA
Phone: 1.847.759.2600
Fax: 1.847.768.9480



Western USA

Festo Corporation
4935 Southfront Road,
Suite F
Livermore, CA 94550, USA
Phone: 1.925.371.1099
Fax: 1.925.245.1286



Festo Worldwide

Argentina Australia Austria Belarus Belgium Brazil Bulgaria Canada Chile China Colombia Croatia Czech Republic Denmark
Estonia Finland France Germany Great Britain Greece Hong Kong Hungary India Indonesia Iran Ireland Israel Italy Japan Latvia
Lithuania Malaysia Mexico Netherlands New Zealand Norway Peru Philippines Poland Romania Russia Serbia Singapore
Slovakia Slovenia South Africa South Korea Spain Sweden Switzerland Taiwan Thailand Turkey Ukraine United States Venezuela

www.festo.com