

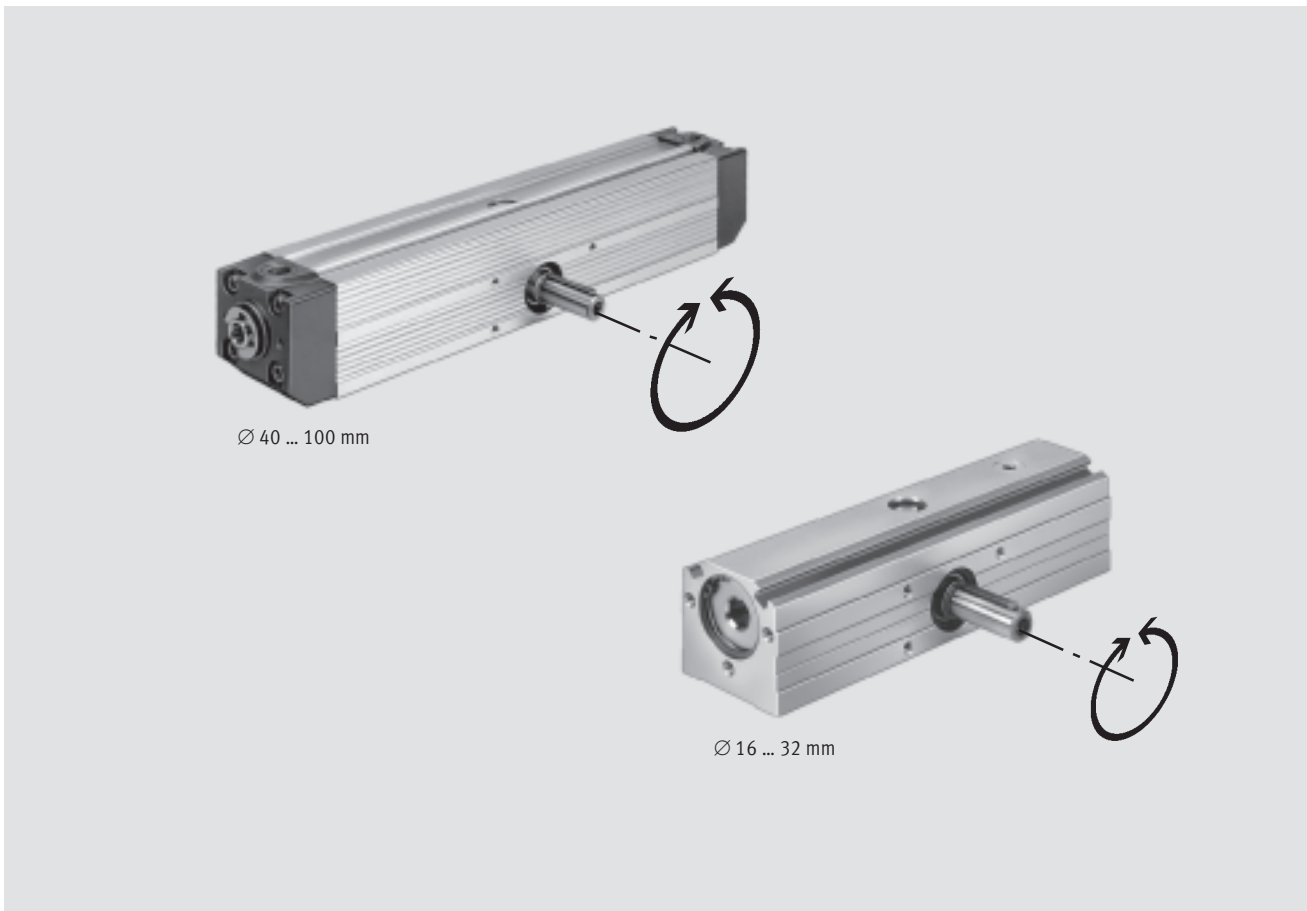
Semi-rotary drives DRQ



Semi-rotary drives DRQ

Features

FESTO



Rotating and swivelling

The linear movement of the cylinder is converted into rotational movement by a backlash-compensating gear unit. Precision is increased by backlash-free transmission of force from the gear rack to the pinion. The semi-rotary drive DRQ-...-PPVJ-A

has variable end-position adjustment at both ends, combined with adjustable end-position cushioning. This permits constant cushioning over the entire end-position adjustment range.

- Nominal swivel angles of 90°, 180°, 270° or 360°
- Freely selectable swivel angle from 0 to 360°
- With adjustable end-position cushioning at both ends and end-position adjustment for piston Ø 16 to 100 mm

- With adjustable end-position cushioning at both ends for piston Ø 40 to 100 mm
- For contactless position sensing
- Backlash-free power transmission
- Wide choice of mounting options

Note

Sizing software
Calculating inertia
→ www.festo.com

Note

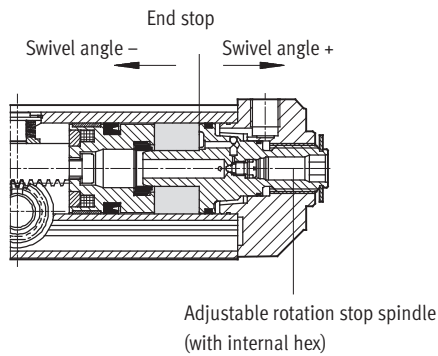
DRQ-...-PPV-A (without end-position adjustment) is only available for drives with piston Ø 40 to 100 mm.

Semi-rotary drives DRQ

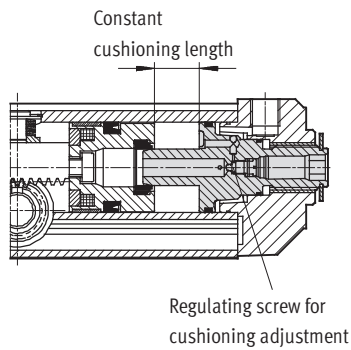
Key features and product range overview

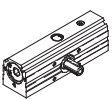
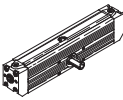
Individually adjustable end positions

The externally adjustable end position adjustment increases service life and permits precise adjustment of the swivel angle.



The design principle always guarantees the full cushioning length. Exception: small swivel angle



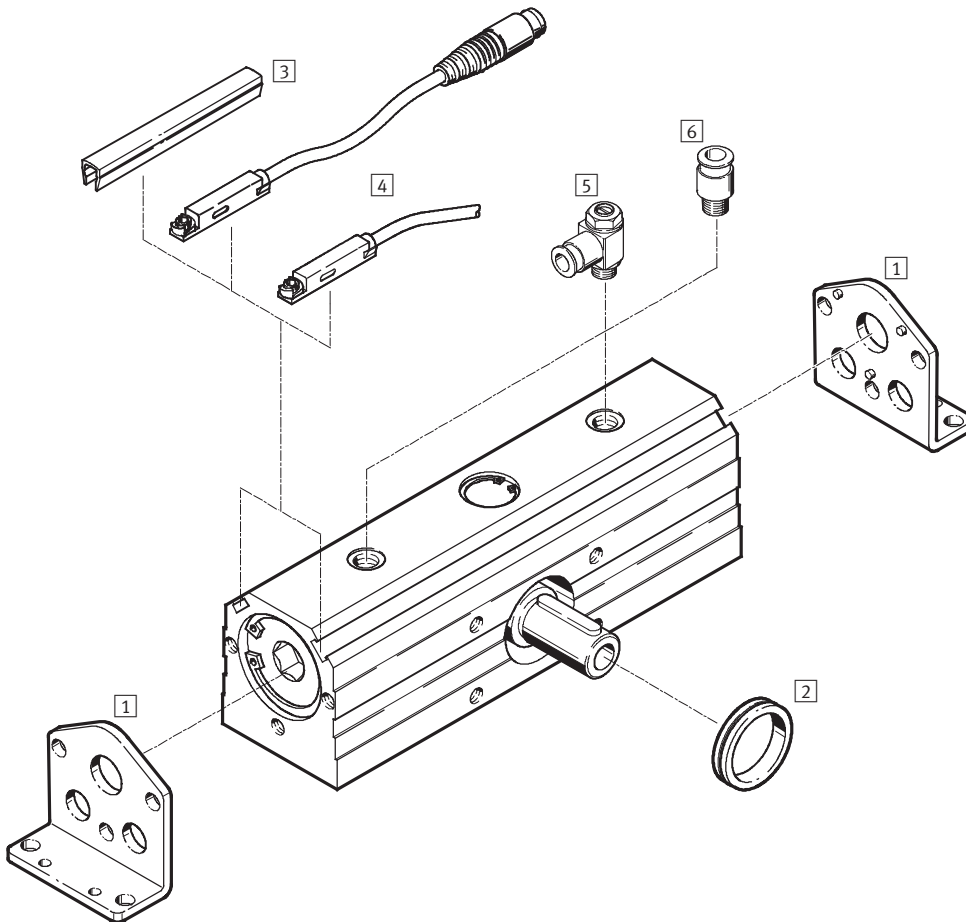
Product range overview									
Function	Design	Type	Piston Ø [mm]	Swivel angle		Adjustable cushioning at both ends PPV	End position adjustment	Position sensing A	→ Page/ Internet
				Fixed [°]	Selectable [°]				
Double-acting	Basic version								
		DRQ	16, 20, 25, 32	90, 180, 270, 360	1 ... 359	■	■	■	7
	40, 50, 63, 80, 100		■			■	■	7	

Semi-rotary drives DRQ

Peripherals overview

FESTO

Piston \varnothing 16 ... 32 mm

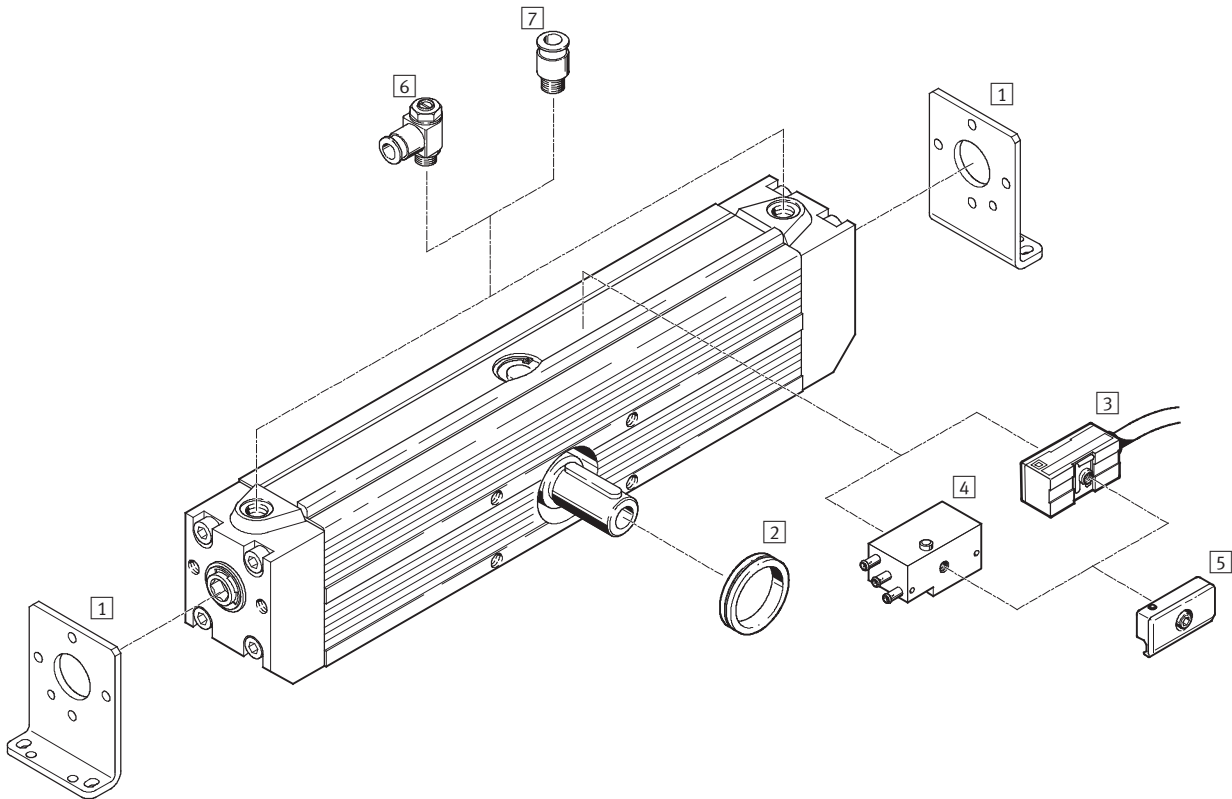


Mounting attachments and accessories		
	Brief description	→ Page/Internet
1	Foot mounting HQ...W	18
2	Central mounting ZBRQ	20
3	Slot cover ABP	21
4	Proximity sensors SME/SMT-8	21
5	One-way flow control valve GRLA	20
6	Push-in fitting QS	quick star

Semi-rotary drives DRQ

Peripherals overview

Piston \varnothing 40 ... 100 mm



Mounting attachments and accessories		
	Brief description	→ Page/Internet
1	Foot mounting HQ-...-W	For end caps 19
2	Central mounting ZBRQ	For centering 20
3	Proximity sensors (SMEO/SMT0)	Magnetic proximity sensor in block design 22
4	Proximity sensors SMPO	Pneumatic proximity sensor in block design 22
5	Sensor mounting kit SMB-1	To mount the proximity sensor on the profile rail 22
6	One-way flow control valve GRLA	For speed regulation 20
7	Push-in fitting QS	For connecting compressed air tubing with standard O.D. quick star

Semi-rotary drives DRQ

Type codes

DRQ – 40 – ...-180 – PPVJ – A

Type	
Double-acting	
DRQ	Rotary actuator

Piston Ø [mm]

Swivel angle [°]

Fixed	
90	Nominal swivel angle 90°
180	Nominal swivel angle 180°
270	Nominal swivel angle 270°
360	Nominal swivel angle 360°
Selectable	
...-90	Selectable from 1° to max. 89°
...-180	Selectable from 91° to max. 179°
...-270	Selectable from 181° to max. 269°
...-360	Selectable from 271° to max. 359°

Cushioning

PPV	Pneumatic cushioning adjustable at both ends without end position adjustment
PPVJ	Pneumatic cushioning adjustable at both ends with end position adjustment

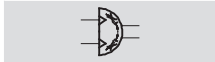
Position sensing

A	For proximity sensing
---	-----------------------

Semi-rotary drives DRQ

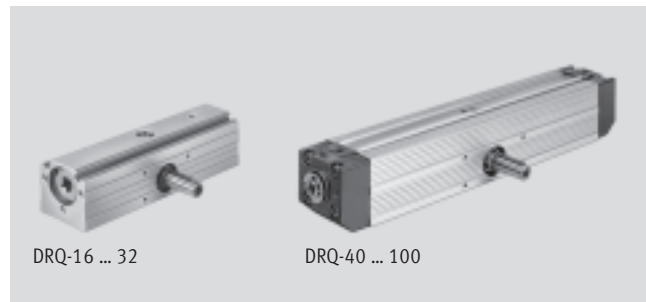
Technical data

Function



www.festo.com/en/
Spare_parts_service

-N- Diameter
16 ... 100 mm
Force
0.5 ... 150 Nm



General technical data									
Piston Ø	16	20	25	32	40	50	63	80	100
Pneumatic connection	M5			G1/8	G1/4		G3/8		G1/2
Operating medium	Compressed air in accordance with ISO 8573-1:2010 [7:-:-]								
Design	Semi-rotary drive based on the rack and pinion principle								
Cushioning	Adjustable at both ends								
Cushioning length [mm]	6.3	8.2	10.4	13.5	21	23	23	30	30
Cushioning angle [°]	72.2	78.3	74.5	77.3	96	84	65	69	52
Position sensing	For proximity sensing								
Type of mounting	Via female threads Via accessories								
Mounting position	Any								

Note: This product conforms to ISO 1179-1 and ISO 228-1

Operating and environmental conditions										
Piston Ø	16	20	25	32	40	50	63	80	100	
Operating pressure [bar]	2.5 ... 10									
Max. swivelling frequency at 6 bar ¹⁾	90° [Hz]	4.0	3.4	2.6	2.8	2.2	2.6	1.5	1.7	0.9
	180° [Hz]	2.8	2.0	1.6	1.6	2.3	2.1	1.1	1.3	0.6
	270° [Hz]	2.0	1.3	1.1	1.1	1.8	1.5	0.7	1.0	0.5
	360° [Hz]	1.5	1.0	0.7	0.9	1.2	1.2	0.6	0.9	0.4
Ambient temperature ²⁾ [°C]	-10 ... +60									

- 1) At the max. permissible mass moment of inertia for a completed movement cycle (0° > X° > 0°)
2) Note operating range of proximity sensors

Forces and torques									
Piston Ø	16	20	25	32	40	50	63	80	100
Theoretical torque at 6 bar [Nm]	0.5	1	2.5	5	9	19	37	75	150
Max. perm. radial load ¹⁾ [N]	60	80	100	120	60	200	300	800	1,500
Max. perm. axial load ¹⁾ [N]					150	300	500	1,000	
Max. perm. mass moment of inertia ¹⁾ [kgm ²]	2x10 ⁻⁴	3.5x10 ⁻⁴	7.8x10 ⁻⁴	20x10 ⁻⁴	50x10 ⁻⁴	160x10 ⁻⁴	400x10 ⁻⁴	1,200x10 ⁻⁴	2,000x10 ⁻⁴

- 1) On the drive shaft at maximum frequency

Semi-rotary drives DRQ

Technical data

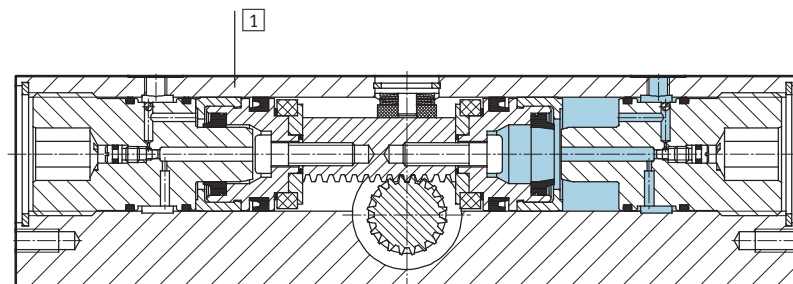
FESTO

Weights											
Piston \varnothing		16	20	25	32	40	50	63	80	100	
DRQ without end position adjustment											
Product weight	90°	[g]	–	–	–	–	2,630	5,030	8,650	16,000	26,800
	180°	[g]					2,920	5,620	9,500	17,700	30,670
	270°	[g]					3,330	6,550	11,000	21,700	34,200
	360°	[g]					3,470	6,750	11,500	22,500	38,000
DRQ with end position adjustment											
Product weight	90°	[g]	530	730	1,120	2,270	2,900	5,510	9,800	19,000	29,300
	180°	[g]	550	800	1,320	2,440	3,220	5,640	10,600	20,700	33,000
	270°	[g]	620	920	1,510	2,770	3,610	6,900	12,200	24,400	39,000
	360°	[g]	640	960	1,570	2,860	3,710	7,180	12,600	25,340	40,600

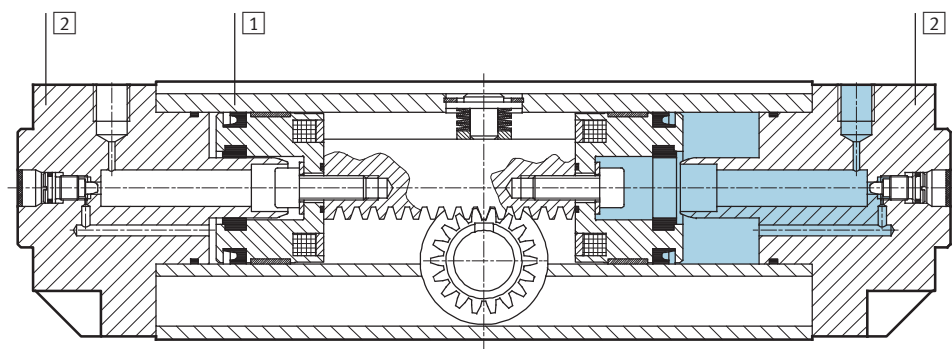
Materials

Sectional view

\varnothing 16 ... 32



\varnothing 40 ... 100



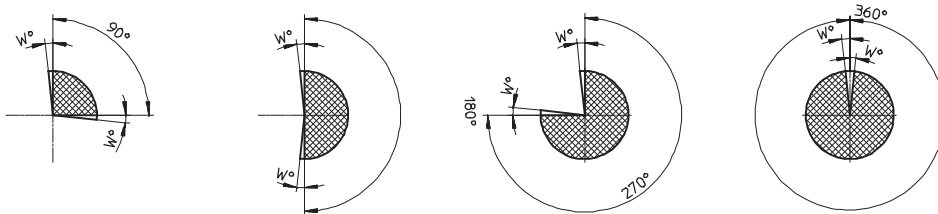
Rotary actuator		
1	Cylinder barrel	\varnothing 16 ... 32 \varnothing 40 ... 100
		Anodised aluminium Aluminium
2	End cap	\varnothing 40 ... 100
		Die-cast aluminium, anodised
–	Seals	
		Nitrile rubber, polyurethane

Semi-rotary drives DRQ

Technical data

Swivel angle for DRQ without end position adjustment

Nominal swivel angle

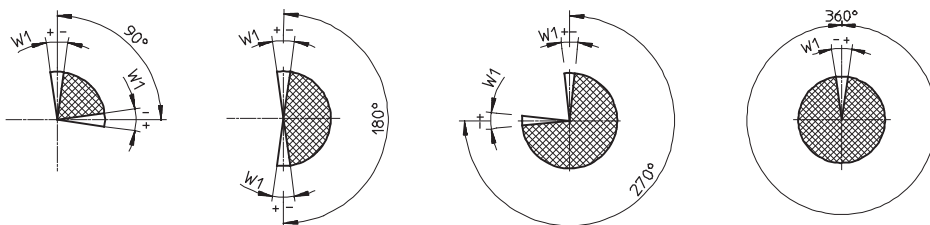


The drives have a tolerance in the end positions that exceeds the guaranteed nominal swivel angle.

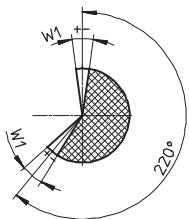
∅ [mm]	Tolerance of end positions W [°]
40	8
50	6
63	4
80	
100	3

Swivel angle for DRQ with end position adjustment

Nominal swivel angle



Selectable swivel angle



∅ [mm]	Adjustment range of swivel angle W1 [°]
16	-4 ... +4
20	
25	-5 ... +5
32	
40	-4 ... +5

∅ [mm]	Adjustment range of swivel angle W1 [°]
50	-7 ... +8
63	-12 ... +12
80	-12 ... +10
100	-8 ... +8

Semi-rotary drives DRQ

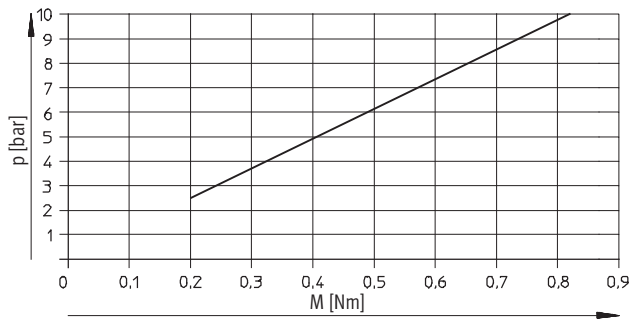
Technical data

FESTO

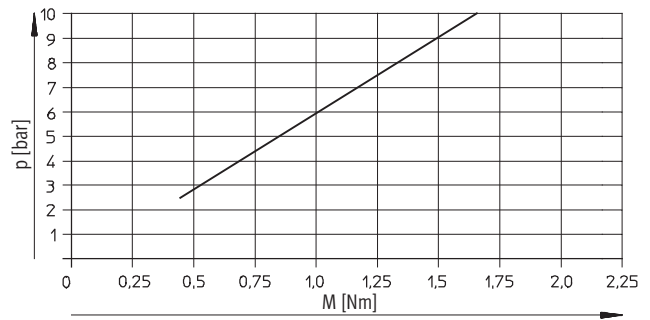
Torque M as a function of the operating pressure p

Static

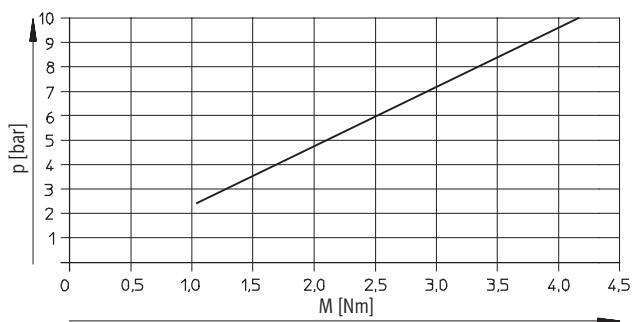
DRQ-16



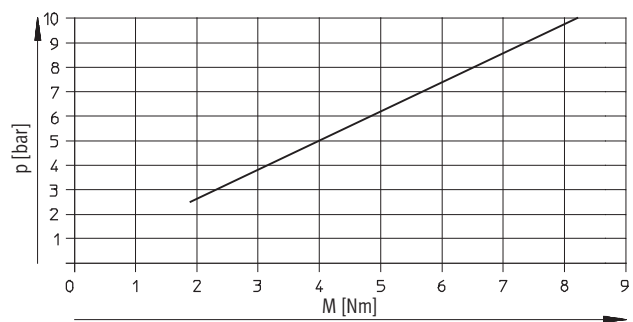
DRQ-20



DRQ-25



DRQ-32



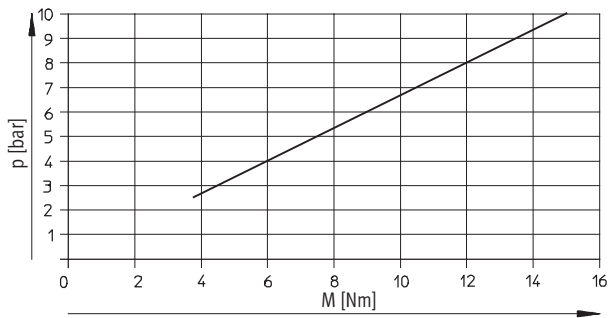
Semi-rotary drives DRQ

Technical data

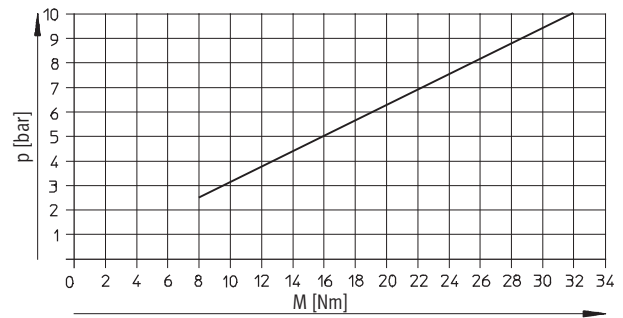
Torque M as a function of the operating pressure p

Static

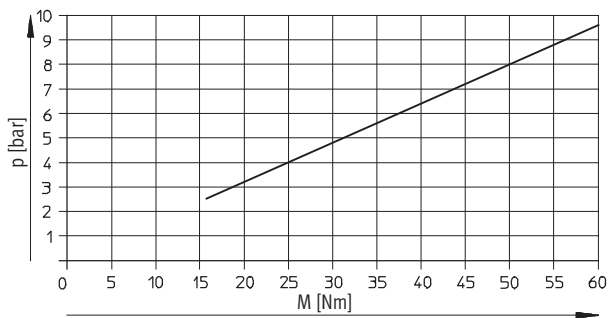
DRQ-40



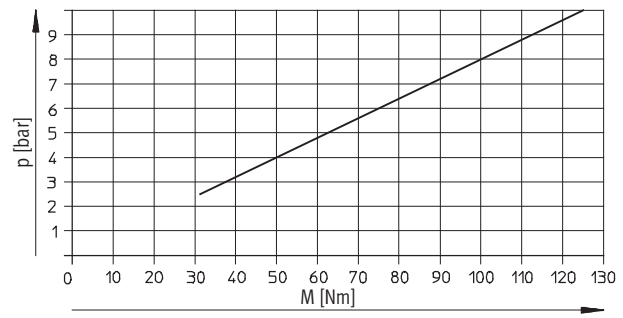
DRQ-50



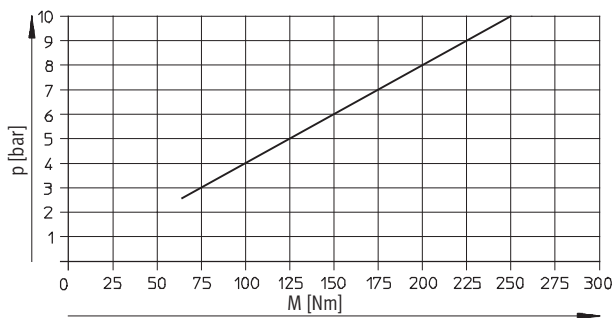
DRQ-63



DRQ-80



DRQ-100



Semi-rotary drives DRQ

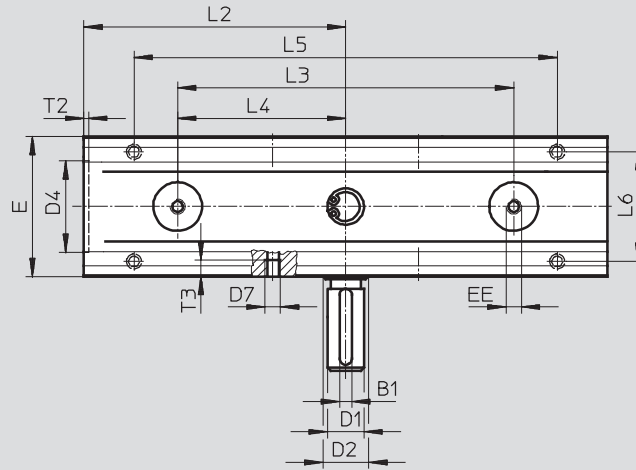
Technical data

FESTO

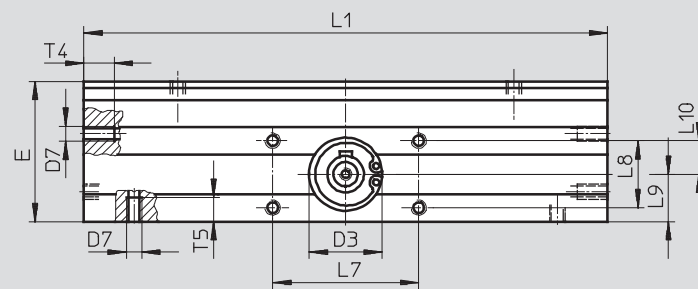
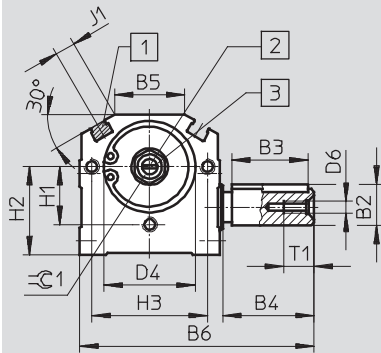
Dimensions

Download CAD Data → www.festo.com/us/cad

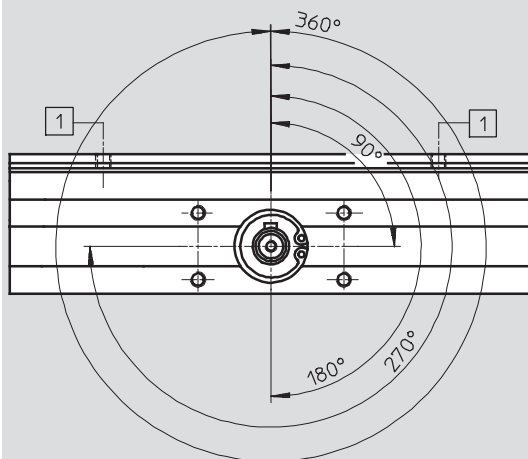
Piston Ø 16...32 mm



- 1 Proximity sensor SME/SMT-8
- 2 Regulating screw for adjustable end-position cushioning
- 3 End-position adjustment



Woodruff key position



- 1 Compressed air connection

Semi-rotary drives DRQ

Technical data

∅ [mm]	B1 h9	B2 max.	B3 -0.2	B4 ±0.1	B5	B6	D1 ∅ g6	D2 ∅ k6	D3 ∅ K7
16	2	8.8	16	20	17	57	8	10	19
20	3	11.2	18	23	19	66	10	12	21
25	4	13.5	25	30	23	77	12	15	24
32	4	13.5	25	30	24	87	12	17	26

∅ [mm]	D4 ∅ H11	D6	D7	E ±0.4	EE	H1 ±0.1	H2 ±0.3	H3 ±0.1	J1
16	20	M3	M5	36	M5	13.75	22.5	27.5	5
20	24	M3	M5	42	M5	15.75	26.7	31.5	5.5
25	30	M4	M5	46	M5	19	28.9	38	6.5
32	38	M4	M5	56	G $\frac{1}{8}$	23	33.5	46	8.5

∅ [mm]		L1 ±0.05	L2 ±0.05	L3 ±0.1	L4 ±0.1	L5 ±0.2
16	90°	137	68.5	92.2	46.1	105
	180°	153	76.5	108.2	54.1	121
	270°	176	88.6	131.2	66.2	144
	360°	184	91.9	139.2	69.5	152
20	90°	142	71	90.8	45.4	110
	180°	160	80	108.8	54.4	128
	270°	189	95.3	137.8	69.7	157
	360°	198	99	146.8	73.4	166
25	90°	172	86	110.4	55.2	139
	180°	197	98.5	135.4	67.7	164
	270°	235	118.5	173.4	88	202
	360°	248	124	186.4	93.2	215
32	90°	228	114	143.8	71.9	196
	180°	259	129.5	174.8	87.4	227
	270°	306	154.7	221.8	112.6	274
	360°	322	161	237.8	118.9	290

∅ [mm]	L6 ±0.1	L7 ±0.2	L8 ±0.1	L9 ±0.35	L10 ±0.1	T1	T2	T3	T4	T5	≈C1
16	28	40	19	13.7	9.5	9	1.3	5.5	10	8	8
20	32	45	22	16	11	9	1.8	5.5	10	8	8
25	36	48	22	15.6	11	10	1.5	5.5	10	8	10
32	44	52	24	17.3	12	10	2	7.5	10	8	14

Note: This product conforms to ISO 1179-1 and ISO 228-1

Semi-rotary drives DRQ

Technical data

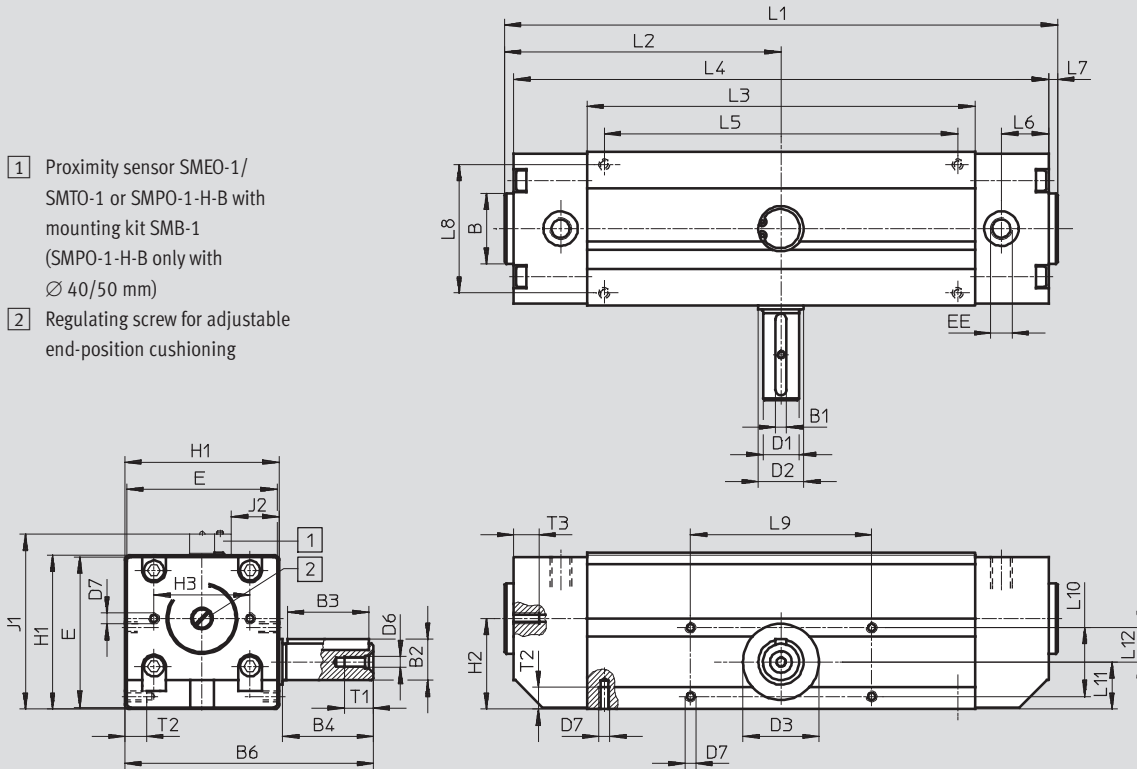
FESTO

Dimensions

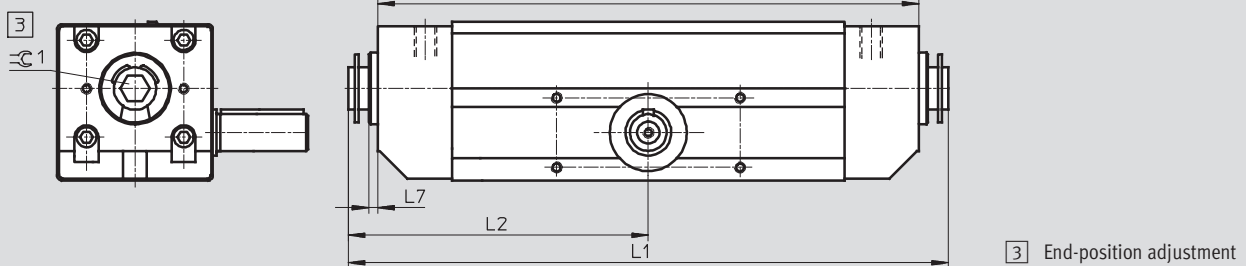
Download CAD Data → www.festo.com/us/cad

Piston \varnothing 40 ... 100 mm, DRQ without end position adjustment

- 1 Proximity sensor SMEO-1/
SMT0-1 or SMPO-1-H-B with
mounting kit SMB-1
(SMPO-1-H-B only with
 \varnothing 40/50 mm)
- 2 Regulating screw for adjustable
end-position cushioning



Piston \varnothing 40 ... 100 mm, DRQ with end position adjustment



Semi-rotary drives DRQ

Technical data

FESTO

∅ [mm]	B ∅ h10	B1 h9	B2 max.	B3 -0.3	B4 ±0.2	B6	D1 ∅ g6	D2 ∅ k6	D3 ∅ K6
40	33	5	18	36	40	110	16	20	32
50	39	6	22.5	45	50	137	20	25	42
63	46	6	24.5	45	50	158	22	25	47
80	46	8	31	56	60	192	28	30	55
100	50	10	38	70	80	242.5	35	40	80

∅ [mm]	D6	D7	E	EE	H1	H2	H3 ±0.2	J1	J2
40	M5	M6	66	G¼	68 ±0.4	40	47	82	18
50	M6	M6	83	G¼	85 ±0.4	50	53	98	26.5
63	M8	M8	104	G¾	106 ±0.4	64	66	119	37
80	M12	M8	127	G¾	130 ±0.4	80	70.7	142	49
100	M12	M10	157	G½	160 ±0.6	98	94	172	64

∅ [mm]		L1		L2		L3 ±0.2	L4		L5 ±0.2
		max. PPV	max. PPVJ	max. PPV	max. PPVJ		max. PPV	max. PPVJ	
40	90°	264.4	279	132.3	139.6	194	255.4	254.9	174
	180°	303.4	318	151.8	159.1	233	294.4	293.6	213
	270°	362.4	378	181.3	189.1	293	354.4	353.6	270
	360°	382.4	397	191.3	198.6	312	373.4	372.7	292
50	90°	307.2	327.2	153.7	163.7	215	296.2	295	195
	180°	356.2	376.2	178.2	188.2	264	345.2	344	244
	270°	431.2	451.2	215.7	225.7	339	420.2	419	316
	360°	455.2	475.2	227.7	237.7	363	444.2	443	343
63	90°	364.4	392.4	182.3	196.3	245	351.4	351	215
	180°	427.4	455.4	213.8	227.8	308	414.4	414	278
	270°	521.4	549.4	260.8	274.8	402	508.4	508	366
	360°	553.4	581.4	276.8	290.8	434	540.4	540	404
80	90°	443.4	495.2	221.8	247.7	310	430.4	450	280
	180°	521.4	573.2	260.8	286.7	388	508.4	528	358
	270°	639.4	691.2	319.8	345.7	506	626.4	646	468
	360°	678.4	730.2	339.3	365.2	545	665.4	685	515
100	90°	506.6	558.2	253.4	278.2	363	483.6	483	323
	180°	609.6	659.2	304.9	329.7	466	586.6	586	426
	270°	765.6	815.2	382.9	407.7	622	742.6	742	568
	360°	817.6	867.2	408.9	433.7	674	794.6	794	634

∅ [mm]	L6	L7	L8	L9 ±0.2	L10 ±0.1	L11	L12 ±0.1	T1 min.	T2	T3	≈C1
40	18	4	56 ±0.1	80	30	21 ±0.4	15	12.5	9	15	10
50	26	5	71 ±0.1	100	38	26 ±0.4	19	16	12	14	14
63	37	6	90 ±0.1	130	48	32 ±0.4	24	19	15	19	14
80	51	6	112 ±0.2	160	60	39 ±0.4	30	28	15	17	14
100	38	11	140 ±0.2	200	76	48 ±0.5	38	28	20	22	14

Note: This product conforms to ISO 1179-1 and ISO 228-1

Semi-rotary drives DRQ

Technical data

FESTO

Ordering data – Variants with end position adjustment						
Design	∅ 16 [mm]		∅ 20 [mm]		∅ 25 [mm]	
	Part No.	Type	Part No.	Type	Part No.	Type
Nominal swivel angle						
90°	35 200	DRQ-16-90-PPVJ-A	35 204	DRQ-20-90-PPVJ-A	35 208	DRQ-25-90-PPVJ-A
180°	35 201	DRQ-16-180-PPVJ-A	35 205	DRQ-20-180-PPVJ-A	35 209	DRQ-25-180-PPVJ-A
270°	35 202	DRQ-16-270-PPVJ-A	35 206	DRQ-20-270-PPVJ-A	35 210	DRQ-25-270-PPVJ-A
360°	35 203	DRQ-16-360-PPVJ-A	35 207	DRQ-20-360-PPVJ-A	35 211	DRQ-25-360-PPVJ-A
Selectable swivel angle						
1 ... max. 89°	154 451	DRQ-16-...-90-PPVJ-A	154 455	DRQ-20-...-90-PPVJ-A	154 459	DRQ-25-...-90-PPVJ-A
91 ... max. 179°	154 452	DRQ-16-...-180-PPVJ-A	154 456	DRQ-20-...-180-PPVJ-A	154 460	DRQ-25-...-180-PPVJ-A
181 ... max. 269°	154 453	DRQ-16-...-270-PPVJ-A	154 457	DRQ-20-...-270-PPVJ-A	154 461	DRQ-25-...-270-PPVJ-A
271 ... max. 359°	154 454	DRQ-16-...-360-PPVJ-A	154 458	DRQ-20-...-360-PPVJ-A	154 462	DRQ-25-...-360-PPVJ-A

Design	∅ 32 [mm]		∅ 40 [mm]		∅ 50 [mm]	
	Part No.	Type	Part No.	Type	Part No.	Type
Nominal swivel angle						
90°	35 212	DRQ-32-90-PPVJ-A	19 380	DRQ-40-90-PPVJ-A	19 383	DRQ-50-90-PPVJ-A
180°	35 213	DRQ-32-180-PPVJ-A	19 381	DRQ-40-180-PPVJ-A	19 384	DRQ-50-180-PPVJ-A
270°	35 214	DRQ-32-270-PPVJ-A	30 600	DRQ-40-270-PPVJ-A	30 601	DRQ-50-270-PPVJ-A
360°	35 215	DRQ-32-360-PPVJ-A	19 382	DRQ-40-360-PPVJ-A	19 385	DRQ-50-360-PPVJ-A
Selectable swivel angle						
1 ... max. 89°	154 463	DRQ-32-...-90-PPVJ-A	150 180	DRQ-40-...-90-PPVJ-A	150 183	DRQ-50-...-90-PPVJ-A
91 ... max. 179°	154 464	DRQ-32-...-180-PPVJ-A	150 181	DRQ-40-...-180-PPVJ-A	150 184	DRQ-50-...-180-PPVJ-A
181 ... max. 269°	154 465	DRQ-32-...-270-PPVJ-A	151 310	DRQ-40-...-270-PPVJ-A	151 311	DRQ-50-...-270-PPVJ-A
271 ... max. 359°	154 466	DRQ-32-...-360-PPVJ-A	150 182	DRQ-40-...-360-PPVJ-A	150 185	DRQ-50-...-360-PPVJ-A

Design	∅ 63 [mm]		∅ 80 [mm]		∅ 100 [mm]	
	Part No.	Type	Part No.	Type	Part No.	Type
Nominal swivel angle						
90°	19 386	DRQ-63-90-PPVJ-A	19 389	DRQ-80-90-PPVJ-A	19 392	DRQ-100-90-PPVJ-A
180°	19 387	DRQ-63-180-PPVJ-A	19 390	DRQ-80-180-PPVJ-A	19 393	DRQ-100-180-PPVJ-A
270°	30 602	DRQ-63-270-PPVJ-A	30 603	DRQ-80-270-PPVJ-A	30 604	DRQ-100-270-PPVJ-A
360°	19 388	DRQ-63-360-PPVJ-A	19 391	DRQ-80-360-PPVJ-A	19 394	DRQ-100-360-PPVJ-A
Selectable swivel angle						
1 ... max. 89°	150 186	DRQ-63-...-90-PPVJ-A	150 189	DRQ-80-...-90-PPVJ-A	150 192	DRQ-100-...-90-PPVJ-A
91 ... max. 179°	150 187	DRQ-63-...-180-PPVJ-A	150 190	DRQ-80-...-180-PPVJ-A	150 193	DRQ-100-...-180-PPVJ-A
181 ... max. 269°	151 312	DRQ-63-...-270-PPVJ-A	151 313	DRQ-80-...-270-PPVJ-A	151 314	DRQ-100-...-270-PPVJ-A
271 ... max. 359°	150 188	DRQ-63-...-360-PPVJ-A	150 191	DRQ-80-...-360-PPVJ-A	150 194	DRQ-100-...-360-PPVJ-A

Semi-rotary drives DRQ

Technical data

FESTO

Ordering data – Variants without end position adjustment						
Design	∅ 40 [mm]		∅ 50 [mm]		∅ 63 [mm]	
	Part No.	Type	Part No.	Type	Part No.	Type
Nominal swivel angle						
90°	30 580	DRQ-40-90-PPV-A	30 584	DRQ-50-90-PPV-A	30 588	DRQ-63-90-PPV-A
180°	30 581	DRQ-40-180-PPV-A	30 585	DRQ-50-180-PPV-A	30 589	DRQ-63-180-PPV-A
270°	30 582	DRQ-40-270-PPV-A	30 586	DRQ-50-270-PPV-A	30 590	DRQ-63-270-PPV-A
360°	30 583	DRQ-40-360-PPV-A	30 587	DRQ-50-360-PPV-A	30 591	DRQ-63-360-PPV-A
Selectable swivel angle						
1 ... max. 89°	150 242	DRQ-40-...-90-PPV-A	150 245	DRQ-50-...-90-PPV-A	150 248	DRQ-63-...-90-PPV-A
91 ... max. 179°	150 243	DRQ-40-...-180-PPV-A	150 246	DRQ-50-...-180-PPV-A	150 249	DRQ-63-...-180-PPV-A
181 ... max. 269°	151 315	DRQ-40-...-270-PPV-A	151 316	DRQ-50-...-270-PPV-A	151 317	DRQ-63-...-270-PPV-A
271 ... max. 359°	150 244	DRQ-40-...-360-PPV-A	150 247	DRQ-50-...-360-PPV-A	150 250	DRQ-63-...-360-PPV-A

Design	∅ 80 [mm]		∅ 100 [mm]		
	Part No.	Type	Part No.	Type	
Nominal swivel angle					
90°	30 592	DRQ-80-90-PPV-A	30 596	DRQ-100-90-PPV-A	–
180°	30 593	DRQ-80-180-PPV-A	30 597	DRQ-100-180-PPV-A	
270°	30 594	DRQ-80-270-PPV-A	30 598	DRQ-100-270-PPV-A	
360°	30 595	DRQ-80-360-PPV-A	30 599	DRQ-100-360-PPV-A	
Selectable swivel angle					
1 ... max. 89°	150 251	DRQ-80-...-90-PPV-A	150 254	DRQ-100-...-90-PPV-A	–
91 ... max. 179°	150 252	DRQ-80-...-180-PPV-A	150 255	DRQ-100-...-180-PPV-A	
181 ... max. 269°	151 318	DRQ-80-...-270-PPV-A	151 319	DRQ-100-...-270-PPV-A	
271 ... max. 359°	150 253	DRQ-80-...-360-PPV-A	150 256	DRQ-100-...-360-PPV-A	

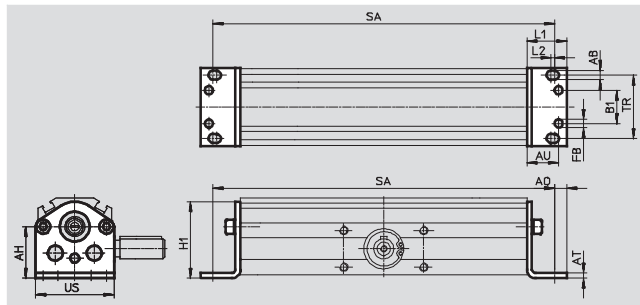
Semi-rotary drives DRQ

Accessories



Foot mounting HQ-...-W
for piston \varnothing 16...32 mm

Material:
Galvanised steel



Dimensions and ordering data						
For \varnothing [mm]	AB \varnothing H13	AH	AO	AT	AU	B1
16	5.5	24.5	7.5	2.5	19	10 ± 0.1
20	5.5	28.7	7.5	2.5	19	14 ± 0.1
25	5.5	30.9	7.5	3	19	20 ± 0.1
32	5.5	35.5	7.5	3	19	28 ± 0.1

For \varnothing [mm]	FB \varnothing -0.1	H1	L1	L2	TR	US
16	4.9	35.5	24	2	27.5 ± 0.1	37
20	4.9	41.7	24	2	31.5 ± 0.1	43
25	4.9	45.9	24	2	38 ± 0.1	47
32	4.9	55.5	24	2	46 ± 0.1	57

For \varnothing [mm]	SA				CRC ¹⁾	Part No.	Type
	Swivel angle						
	90°	180°	270°	360°			
16	170 ± 1.05	186 ± 1.05	209 ± 1.05	217 ± 1.05	2	35 232	HQ-16-W
20	175 ± 1.05	193 ± 1.05	222 ± 1.05	231 ± 1.05	2	35 233	HQ-20-W
25	205 ± 1.05	230 ± 1.05	268 ± 1.05	281 ± 1.05	2	35 234	HQ-25-W
32	261 ± 1.05	292 ± 1.05	339 ± 1.05	355 ± 1.05	2	35 235	HQ-32-W

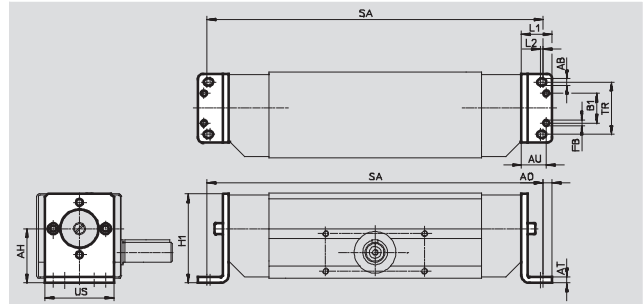
1) Corrosion resistance class 2 according to Festo standard 940 070
Components requiring moderate corrosion resistance. Externally visible parts with primarily decorative surface requirements which are in direct contact with a surrounding industrial atmosphere or media such as cooling or lubricating agents.

Semi-rotary drives DRQ

Accessories

Foot mounting HQ-...-W
for piston \varnothing 40 ... 100 mm

Material:
Galvanised steel



Dimensions and ordering data						
For \varnothing	AB \varnothing H13	AH	AO	AT	AU	B1
[mm]						
40	6.6	45	9	5	24	24 ± 0.2
50	6.6	55	9	6	25	30 ± 0.2
63	9	69	11.5	6	30	36 ± 0.2
80	9	84	11.5	8	32	40 ± 0.2
100	11	102	13.5	8	36	58 ± 0.2

For \varnothing	FB \varnothing -0.1	H1	L1	L2	TR	US
[mm]						
40	5.9	77	30	3	47 ± 0.2	63.5
50	5.9	90	31	3	53 ± 0.2	69.5
63	7.9	112.5	37	4	66 ± 0.2	87
80	7.9	130	39	4	70.7 ± 0.2	89
100	9.9	161.5	44	5	94 ± 0.2	119

For \varnothing	SA (for DRQ without end position adjustment)				CRC ¹⁾	Part No.	Type
	Swivel angle						
[mm]	90°	180°	270°	360°			
40	297.4 $+1.6/-1.2$	336.4 $+1.6/-1.2$	396.4 $+1.6/-1.2$	415.4 $+1.6/-1.2$	2	19 360	HQ-40-W
50	340.2 $+1.6/-1.2$	389.2 $+1.6/-1.2$	464.2 $+1.6/-1.2$	488.8 $+1.6/-1.2$	2	19 361	HQ-50-W
63	402.4 $+1.8/-1.4$	465.4 $+1.8/-1.4$	559.4 $+1.8/-1.4$	591.4 $+1.8/-1.4$	2	19 362	HQ-63-W
80	485.4 $+1.8/-1.4$	563.4 $+1.8/-1.4$	681.4 $+1.8/-1.4$	720.4 $+1.8/-1.4$	2	19 363	HQ-80-W
100	544.6 $+1.8/-1.4$	647.6 $+1.8/-1.4$	803.6 $+1.8/-1.4$	855.6 $+1.8/-1.4$	2	19 364	HQ-100-W

For \varnothing	SA (for DRQ with end position adjustment)				CRC ¹⁾	Part No.	Type
	Swivel angle						
[mm]	90°	180°	270°	360°			
40	296.6 $+1/-1.4$	335.6 $+1/-1.4$	395.6 $+1/-1.4$	414.6 $+1/-1.4$	2	19 360	HQ-40-W
50	339 $+1/-1.4$	388 $+1/-1.4$	463 $+1/-1.4$	487 $+1/-1.4$	2	19 361	HQ-50-W
63	402 $+1/-1.4$	465 $+1/-1.4$	559 $+1/-1.4$	591 $+1/-1.4$	2	19 362	HQ-63-W
80	505 $+1/-1.4$	583 $+1/-1.4$	701 $+1/-1.4$	740 $+1/-1.4$	2	19 363	HQ-80-W
100	544 $+1.2/-1.6$	647 $+1.2/-1.6$	803 $+1.2/-1.6$	855 $+1.2/-1.6$	2	19 364	HQ-100-W

1) Corrosion resistance class 2 according to Festo standard 940 070
Components requiring moderate corrosion resistance. Externally visible parts with primarily decorative surface requirements which are in direct contact with a surrounding industrial atmosphere or media such as cooling or lubricating agents.

Semi-rotary drives DRQ

Accessories

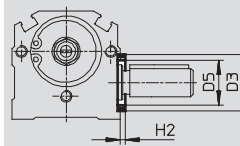


Central mounting ZBRQ

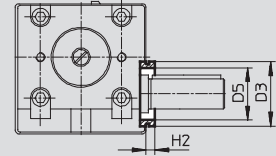
Material:
Wrought aluminium alloy
Free of copper, PTFE and silicone



ZBRQ with DRQ-16 ... 32



ZBRQ with DRQ-40 ... 100



Dimensions and ordering data						
For \varnothing	D3	D5	H2	CRC ¹⁾	Part No.	Type
[mm]	\varnothing js7	\varnothing	max.			
16	19	14	1.8	2	35 236	ZBRQ-16
20	21	16	2.3	2	35 237	ZBRQ-20
25	24	19	2.1	2	35 238	ZBRQ-25
32	26	21	2.3	2	35 239	ZBRQ-32
40	32	25	4.8	2	19 395	ZBRQ-40
50	42	34	5.8	2	19 396	ZBRQ-50
63	47	38	5.8	2	19 397	ZBRQ-63
80	55	44	8	2	19 398	ZBRQ-80
100	80	68	8	2	19 399	ZBRQ-100

1) Corrosion resistance class 2 according to Festo standard 940 070

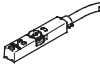
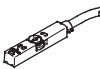
Components requiring moderate corrosion resistance. Externally visible parts with primarily decorative surface requirements which are in direct contact with a surrounding industrial atmosphere or media such as cooling or lubricating agents.

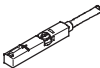


Ordering data – One-way flow control valves			Technical data → Internet: grla		
	Connection		Material	Part No.	Type
	Thread	For tubing O.D.			
	M5	3	Metal design	193 137	GRLA-M5-QS-3-D
		4		193 138	GRLA-M5-QS-4-D
	G1/8	3		193 142	GRLA-1/8-QS-3-D
		4		193 143	GRLA-1/8-QS-4-D
		6		193 144	GRLA-1/8-QS-6-D
		8		193 145	GRLA-1/8-QS-8-D
		10		193 146	GRLA-1/8-QS-10-D
	G1/4	6		193 147	GRLA-1/4-QS-6-D
		8		193 148	GRLA-1/4-QS-8-D
		10		193 148	GRLA-1/4-QS-10-D
	G3/8	6		193 149	GRLA-3/8-QS-6-D
		8		193 150	GRLA-3/8-QS-8-D
		10		193 151	GRLA-3/8-QS-10-D
	G1/2	12		193 152	GRLA-1/2-QS-12-D

Semi-rotary drives DRQ

Accessories

FESTO

Ordering data – Proximity sensors for T-slot, magneto-resistive						Technical data → Internet: smt	
	Type of mounting	Switch output	Electrical connection	Cable length [m]	Part No.	Type	
N/O contact							
	Insertable in the slot from above, flush with cylinder profile, short design	PNP	Cable, 3-wire	2.5	574335	SMT-8M-A-PS-24V-E-2,5-OE	
			Plug M8x1, 3-pin	0.3	574334	SMT-8M-A-PS-24V-E-0,3-M8D	
			Plug M12x1, 3-pin	0.3	574337	SMT-8M-A-PS-24V-E-0,3-M12	
		NPN	Cable, 3-wire	2.5	574338	SMT-8M-A-NS-24V-E-2,5-OE	
			Plug M8x1, 3-pin	0.3	574339	SMT-8M-A-NS-24V-E-0,3-M8D	
N/C contact							
	Insertable in the slot from above, flush with cylinder profile, short design	PNP	Cable, 3-wire	7.5	574340	SMT-8M-A-PO-24V-E-7,5-OE	


Ordering data – Proximity sensors for T-slot, magnetic reed						Technical data → Internet: sme	
	Type of mounting	Switch output	Electrical connection	Cable length [m]	Part No.	Type	
N/O contact							
	Insertable in the slot from above, flush with cylinder profile	Contacting	Cable, 3-wire	2.5	543 862	SME-8M-DS-24V-K-2,5-OE	
				5.0	543 863	SME-8M-DS-24V-K-5,0-OE	
			Plug M8x1, 3-pin	Cable, 2-wire	2.5	543 872	SME-8M-ZS-24V-K-2,5-OE
				0.3	543 861	SME-8M-DS-24V-K-0,3-M8D	
	Insertable in the slot lengthwise, flush with the cylinder profile	Contacting	Cable, 3-wire	2.5	150 855	SME-8-K-LED-24	
			Plug M8x1, 3-pin	0.3	150 857	SME-8-S-LED-24	
N/C contact							
	Insertable in the slot lengthwise, flush with the cylinder profile	Contacting	Cable, 3-wire	7.5	160 251	SME-8-O-K-LED-24	


Ordering data – Slot cover for T-slot						
	Mounting	Length [m]	Part No.	Type		
	Insertable from above	2x 0.5	151 680	ABP-5-S		


Semi-rotary drives DRQ

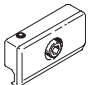
Accessories



FESTO

Ordering data – Rectangular proximity sensor, magneto-resistive						Technical data → Internet: smto	
	Mounting	Switch output	Electrical connection		Cable length [m]	Part No.	Type
			Cable	M8 plug			
NO contact							
	Via accessories	PNP	3-wire	–	2.5	151 683	SMTO-1-PS-K-LED-24-C
			–	3-pin	–	151 685	SMTO-1-PS-S-LED-24-C
		NPN	3-wire	–	2.5	151 684	SMTO-1-NS-K-LED-24-C
			–	3-pin	–	151 686	SMTO-1-NS-S-LED-24-C

Ordering data – Rectangular proximity sensors, magnetic reed						Technical data → Internet: smeo	
	Mounting	Electrical connection		Cable length [m]	Part No.	Type	
		Cables	M8 plug				
NO contact							
	Via accessories	3-wire	–	2.5	30 459	SMEO-1-LED-24-B	
		3-wire	–	5.0	151 672	SMEO-1-LED-24-K5-B	
		–	3-pin	–	150 848	SMEO-1-S-LED-24-B	

Ordering data – Rectangular proximity sensors, pneumatic					Technical data → Internet: smpo	
	Mounting	Pneumatic connection		Part No.	Type	
3/2-way valve, normally closed						
	Via accessories	Barbed fitting for tubing ID of 3 mm		31 008	SMPO-1-H-B	

Ordering data – Mounting kit				Technical data → Internet: smb	
	Mounting	Part No.	Type		
	For cylinder with tie rod \varnothing 6 mm or profile mounting rail	11 886	SMB-1		

Ordering data – Connecting cables					Technical data → Internet: nebu	
	Electrical connection, left	Electrical connection, right	Cable length [m]	Part No.	Type	
	Straight socket, M8x1, 3-pin	Cable, open end, 3-wire	2.5	541 333	NEBU-M8G3-K-2.5-LE3	
			5	541 334	NEBU-M8G3-K-5-LE3	
	Straight socket, M12x1, 5-pin	Cable, open end, 3-wire	2.5	541 363	NEBU-M12G5-K-2.5-LE3	
			5	541 364	NEBU-M12G5-K-5-LE3	
	Angled socket, M8x1, 3-pin	Cable, open end, 3-wire	2.5	541 338	NEBU-M8W3-K-2.5-LE3	
			5	541 341	NEBU-M8W3-K-5-LE3	
	Angled socket, M12x1, 5-pin	Cable, open end, 3-wire	2.5	541 367	NEBU-M12W5-K-2.5-LE3	
			5	541 370	NEBU-M12W5-K-5-LE3	

Product Range and Company Overview

A Complete Suite of Automation Services

Our experienced engineers provide complete support at every stage of your development process, including: conceptualization, analysis, engineering, design, assembly, documentation, validation, and production.



Custom Automation Components
Complete custom engineered solutions



Custom Control Cabinets
Comprehensive engineering support and on-site services



Complete Systems
Shipment, stocking and storage services

The Broadest Range of Automation Components

With a comprehensive line of more than 30,000 automation components, Festo is capable of solving the most complex automation requirements.



Electromechanical
Electromechanical actuators, motors, controllers & drives



Pneumatics
Pneumatic linear and rotary actuators, valves, and air supply



PLCs and I/O Devices
PLC's, operator interfaces, sensors and I/O devices

Supporting Advanced Automation... As No One Else Can!

Festo is a leading global manufacturer of pneumatic and electromechanical systems, components and controls for industrial automation, with more than 12,000 employees in 56 national headquarters serving more than 180 countries. For more than 80 years, Festo has continuously elevated the state of manufacturing with innovations and optimized motion control solutions that deliver higher performing, more profitable automated manufacturing and processing equipment. Our dedication to the advancement of automation extends beyond technology to the education and development of current and future automation and robotics designers with simulation tools, teaching programs, and on-site services.

Quality Assurance, ISO 9001 and ISO 14001 Certifications

Festo Corporation is committed to supply all Festo products and services that will meet or exceed our customers' requirements in product quality, delivery, customer service and satisfaction.

To meet this commitment, we strive to ensure a consistent, integrated, and systematic approach to management that will meet or exceed the requirements of the ISO 9001 standard for Quality Management and the ISO 14001 standard for Environmental Management.



© Copyright 2008, Festo Corporation. While every effort is made to ensure that all dimensions and specifications are correct, Festo cannot guarantee that publications are completely free of any error, in particular typing or printing errors. Accordingly, Festo cannot be held responsible for the same. For Liability and Warranty conditions, refer to our "Terms and Conditions of Sale", available from your local Festo office. All rights reserved. No part of this publication may be reproduced, distributed, or transmitted in any form or by any means, electronic, mechanical, photocopying or otherwise, without the prior written permission of Festo. All technical data subject to change according to technical update.



Printed on recycled paper at New Horizon Graphic, Inc., FSC certified as an environmentally friendly printing plant.

Festo North America

Festo Regional Contact Center

5300 Explorer Drive
Mississauga, Ontario L4W 5G4
Canada

USA Customers:

For ordering assistance,

Call: 1.800.99.FESTO (1.800.993.3786)

Fax: 1.800.96.FESTO (1.800.963.3786)

Email: customer.service@us.festo.com

For technical support,

Call: 1.866.GO.FESTO (1.866.463.3786)

Fax: 1.800.96.FESTO (1.800.963.3786)

Email: product.support@us.festo.com

Canadian Customers:

Call: 1.877.GO.FESTO (1.877.463.3786)

Fax: 1.877.FX.FESTO (1.877.393.3786)

Email: festo.canada@ca.festo.com

USA Headquarters

Festo Corporation
395 Moreland Road
P.O. Box 18023
Hauppauge, NY 11788, USA
www.festo.com/us

USA Sales Offices

Appleton

North 922 Tower View Drive, Suite N
Greenville, WI 54942, USA

Boston

120 Presidential Way, Suite 330
Woburn, MA 01801, USA

Chicago

1441 East Business Center Drive
Mt. Prospect, IL 60056, USA

Dallas

1825 Lakeway Drive, Suite 600
Lewisville, TX 75057, USA

Detroit – Automotive Engineering Center

2601 Cambridge Court, Suite 320
Auburn Hills, MI 48326, USA

New York

395 Moreland Road
Hauppauge, NY 11788, USA

Silicon Valley

4935 Southfront Road, Suite F
Livermore, CA 94550, USA

United States



USA Headquarters, East: Festo Corp., 395 Moreland Road, Hauppauge, NY 11788

Phone: 1.631.435.0800; Fax: 1.631.435.8026;

Email: info@festo-usa.com

www.festo.com/us

Canada



Headquarters: Festo Inc., 5300 Explorer Drive, Mississauga, Ontario L4W 5G4

Phone: 1.905.624.9000; Fax: 1.905.624.9001;

Email: festo.canada@ca.festo.com

www.festo.ca

Mexico



Headquarters: Festo Pneumatic, S.A., Av. Ceylán 3, Col. Tequesquahuac,
54020 Tlalneantla, Edo. de México

Phone: 011 52 [55] 53 21 66 00; Fax: 011 52 [55] 53 21 66 65;

Email: festo.mexico@mx.festo.com

www.festo.com/mx

Central USA

Festo Corporation
1441 East Business
Center Drive
Mt. Prospect, IL 60056, USA
Phone: 1.847.759.2600
Fax: 1.847.768.9480



Western USA

Festo Corporation
4935 Southfront Road,
Suite F
Livermore, CA 94550, USA
Phone: 1.925.371.1099
Fax: 1.925.245.1286



Festo Worldwide

Argentina Australia Austria Belarus Belgium Brazil Bulgaria Canada Chile China Colombia Croatia Czech Republic Denmark
Estonia Finland France Germany Great Britain Greece Hong Kong Hungary India Indonesia Iran Ireland Israel Italy Japan Latvia
Lithuania Malaysia Mexico Netherlands New Zealand Norway Peru Philippines Poland Romania Russia Serbia Singapore
Slovakia Slovenia South Africa South Korea Spain Sweden Switzerland Taiwan Thailand Turkey Ukraine United States Venezuela

www.festo.com