

Compact cylinders DPCB

FESTO



Key features

At a glance

- Compact design permits use in tight spaces
- Double-acting and single-acting versions
- Piston rod with external and internal thread
- With and without anti-twist protection
- With and without cushioning
- Simple assembly with suitable mounting options
- End cap available in round, square and reinforced designs

System of units

[N] Inch

Anti-twist protection

[QP] With double piston rod

- The double piston rod prevents the piston rod from turning during movement
- Application example: position-oriented feeding

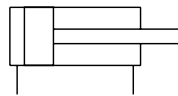
Running characteristics

[L] Low friction

- The actuator has a special seal which reduces friction on the piston rod

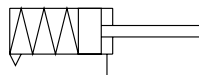
Function

[] Double-acting



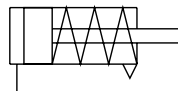
- The cylinder has two pneumatic connections which can be pressurized with compressed air one after the other
- When the rear connection is pressurized with compressed air, the cylinder advances. When the front connection is pressurized with compressed air, the cylinder retracts.

Function

[P] Single-acting, pulling
(piston rod advanced by spring force)

- The cylinder has one pneumatic connection. The piston rod is advanced in its initial position
- When the connection is pressurized with compressed air, the cylinder retracts. It is advanced by a spring

Function

[S] Single-acting, pushing
(piston rod retracted by spring force)

- The cylinder has one pneumatic connection. The piston rod is retracted in its initial position
- When the connection is pressurized with compressed air, the cylinder advances. It is retracted by a spring

Piston rod type

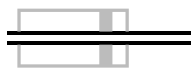
[] At one end



- The piston rod can be used for connection at one end of the cylinder

Piston rod type

[H] Through, hollow piston rod



- The piston rod can be used for connection at both ends of the cylinder
- The piston rod is hollow inside, meaning it can be used to carry vacuum or compressed air
- Identical forces in forward and return stroke

Key features

Piston rod type

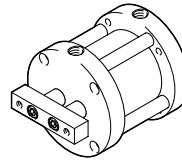
[T] Through piston rod



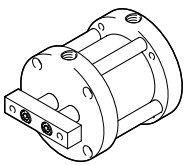
- The piston rod can be used for connection at both ends of the cylinder
- Identical forces in forward and return stroke
- The piston rod has an external or internal thread at both ends

Piston rod design

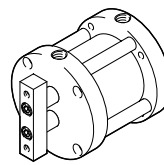
[] One end plate

**Piston rod design**

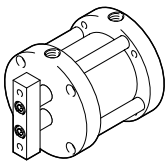
[J1] One end plate with recess and through-hole

**Piston rod design**

[J90] One end plate, rotated 90°

**Piston rod design**

[J91] One end plate with recess and through-hole, rotated 90°

**Piston rod thread type**

[] External thread



- The piston rod can be used for connection at both ends of the cylinder
- Identical forces in forward and return stroke

Piston rod thread type

[F] Internal thread

**Piston rod thread type**

[N] No thread

**Supply port**

[] Lateral

- The supply ports are both located on the same side

Supply port

[P90] Rotated 90°

- The front supply port is rotated 90° in a clockwise direction in relation to the rear supply port

Supply port

[P180] Rotated 180°

- The front supply port is rotated 180° in a clockwise direction in relation to the rear supply port

Supply port

[P270] Rotated 270°

- The front supply port is rotated 270° in a clockwise direction in relation to the rear supply port

Key features

Cap geometry

[] Round

- Both end caps have a round shape

Cap geometry

[QX] Square

- Both end caps have a square shape

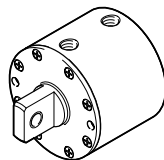
End cap

[V] Reinforced

- The reinforced end cap serves to absorb higher impact forces of the piston rod

Type of mounting

[U] With swiveling rod eye

**Type of mounting**

[CB]/[CF]/[CR] Through-holes

- The through-holes in the cap allow screws to be inserted. The drilled hole diameter must be larger than the screw head diameter for this purpose

Type of mounting

[FT] Flange thread, front

- The flange thread (external thread) is located on the bearing cap and is intended for mounting the cylinder using a large hex nut

Type of mounting

[MB]/[MF]/[MR] Mounting thread

- The mounting thread (internal thread) allows screws to be fastened on the cap

Type of mounting

[Y2] Trunnion flange mounting position, front

- The trunnion flange mounting is located on the front cap. Trunnion flanges for trunnion supports can be fitted here

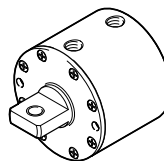
Type of mounting

[Y3] Trunnion flange mounting position, rear

- The trunnion flange mounting is located on the rear cap. Trunnion flanges for trunnion supports can be fitted here

Type of mounting

[U90] With swiveling rod eye, rotated 90°

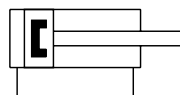
**Cushioning**

[P]/[P2]/[P3] Flexible cushioning rings/pads

- The actuator is fitted with polymer flexible end-position cushioning
- No adjustment required
- Saves time

Position sensing

[A] For proximity switch

**Scraper variant**

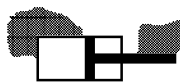
[A1] Increased chemical resistance



- FKM seals ensure a longer service life, e.g. with the use of cooling lubricants

Scraper variant

[A4] Scraper made of NBR



- An additional scraper made of NBR stops dirt particles from getting into the actuator

Key features

Piston rod extension

[NE] 0.001...6"

- The piston rod can be extended by 0.001...6"

Sensor mounting, external

[R] Mounting rail for sensors

- A mounting rail is fitted on the cylinder to mount sensors externally
- The mounting rail is located as standard on the same side as the rear supply port

Sensor mounting, external

[R90] Mounting rail for sensors, rotated 90°

- A mounting rail is fitted on the cylinder to mount sensors externally
- In this design, the mounting rail is rotated 90° in a clockwise direction in relation to the rear supply port

Sensor mounting, external

[R180] Mounting rail for sensors, rotated 180°

- A mounting rail is fitted on the cylinder to mount sensors externally
- In this design, the mounting rail is rotated 180° in a clockwise direction in relation to the rear supply port

Sensor mounting, external

[R270] Mounting rail for sensors, rotated 270°

- A mounting rail is fitted on the cylinder to mount sensors externally
- In this design, the mounting rail is rotated 270° in a clockwise direction in relation to the rear supply port

Product range overview

Function	Type	Piston diameter [in]	Stroke [in]	System of units	Anti-twist protection	Running characteristics	Piston rod type		Piston rod design		
				N	QP	L	H	T	J1	J90	J91
Double-acting	DPCB										
	DPCB	1/2	1/8 ... 4	■	-	■	■	■	■	■	■
		3/4		■	■	■	■	■	■	■	■
		1 1/16		■	■	■	■	■	■	■	■
		1 1/2		■	■	■	■	■	■	■	■
		2		■	■	■	■	■	■	■	■
		2 1/2		■	-	■	■	■	■	■	■
		3		■	-	■	■	■	■	■	■
		4		■	-	■	■	■	■	■	■
Single-acting	DPCB-...-P (pulling, piston rod advanced by spring force)										
	DPCB-...-P	1/2	1/8 ... 4	■	-	■	-	-	■	■	■
		3/4		■	-	■	-	-	■	■	■
		1 1/16		■	-	■	-	-	■	■	■
		1 1/2		■	-	■	-	-	■	■	■
		2		■	-	■	-	-	■	■	■
		2 1/2		■	-	■	-	-	■	■	■
		3		■	-	■	-	-	■	■	■
		4		■	-	■	-	-	■	■	■
	DPCB-...-S (pushing, piston rod retracted by spring force)										
	DPCB-...-S	1/2	1/8 ... 4	■	-	■	-	-	■	■	■
		3/4		■	-	■	-	-	■	■	■
		1 1/16		■	-	■	-	-	■	■	■
		1 1/2		■	-	■	-	-	■	■	■
		2		■	-	■	-	-	■	■	■
		2 1/2		■	-	■	-	-	■	■	■
		3		■	-	■	-	-	■	■	■
		4		■	-	■	-	-	■	■	■

Product range overview

Function	Type	Piston diameter [in]	Stroke [in]	Piston rod thread type		Supply port			Cap geometry QX	End cap V	
				F	N	P90	P180	P270			
Double-acting	DPCB- ...										
		1/2	1/8 ... 4	■	■	-	■	-	-	■	
		3/4		■	■	■	■	■	■	■	
		1 1/16		■	■	■	■	■	■	■	
		1 1/2		■	■	■	■	■	■	■	
		2		■	■	■	■	■	■	■	
		2 1/2		■	■	■	■	■	■	■	
		3		■	■	■	■	■	■	■	
	4	■		■	■	■	■	■	■		
Single-acting	DPCB-...-P (pulling, piston rod advanced by spring force)										
		1/2	1/8 ... 4	■	■	-	■	-	-	■	
		3/4		■	■	■	■	■	■	■	
		1 1/16		■	■	■	■	■	■	■	
		1 1/2		■	■	■	■	■	■	■	
		2		■	■	■	■	■	■	■	
		2 1/2		■	■	■	■	■	■	■	
		3		■	■	■	■	■	■	■	
		4		■	■	■	■	■	■	■	
		DPCB-...-S (pushing, piston rod retracted by spring force)									
		1/2	1/8 ... 4	■	■	-	■	-	-	■	
		3/4		■	■	■	■	■	■	■	
		1 1/16		■	■	■	■	■	■	■	
		1 1/2		■	■	■	■	■	■	■	
		2		■	■	■	■	■	■	■	
	2 1/2	■		■	■	■	■	■	■		
	3	■		■	■	■	■	■	■		
	4	■		■	■	■	■	■	■		

Product range overview

Function	Type	Piston diameter [in]	Stroke [in]	Type of mounting											
				U	CB	CF	CR	FT	MB	MF	MR	Y2	Y3	U90	
Double-acting	DPCB- ...	1/2	1/8 ... 4	■	■	■	■	■	■	■	■	■	-	-	■
		3/4		■	■	■	■	■	■	■	■	■	■	■	■
		1 1/16		■	■	■	■	■	■	■	■	■	■	■	■
		1 1/2		■	■	■	■	■	■	■	■	■	■	■	■
		2		■	■	■	■	■	■	■	■	■	■	■	■
		2 1/2		■	■	■	■	■	■	■	■	■	■	■	■
		3		■	■	■	■	■	■	■	■	■	■	■	■
		4		■	■	■	■	■	■	■	■	■	■	■	■
Single-acting	DPCB-...-P (pulling, piston rod advanced by spring force)				■	■	■	■	■	■	■	■	-	-	■
	DPCB-...-P (pulling, piston rod advanced by spring force)	1/2	1/8 ... 4	■	■	■	■	■	■	■	■	■	■	■	■
		3/4		■	■	■	■	■	■	■	■	■	■	■	
		1 1/16		■	■	■	■	■	■	■	■	■	■	■	
		1 1/2		■	■	■	■	■	■	■	■	■	■	■	
		2		■	■	■	■	■	■	■	■	■	■	■	
		2 1/2		■	■	■	■	■	■	■	■	■	■	■	
		3		■	■	■	■	■	■	■	■	■	■	■	
		4		■	■	■	■	■	■	■	■	■	■	■	
	DPCB-...-S (pushing, piston rod retracted by spring force)				■	■	■	■	■	■	■	■	-	-	■
	DPCB-...-S (pushing, piston rod retracted by spring force)	1/2	1/8 ... 4	■	■	■	■	■	■	■	■	■	■	■	■
		3/4		■	■	■	■	■	■	■	■	■	■	■	
		1 1/16		■	■	■	■	■	■	■	■	■	■	■	
		1 1/2		■	■	■	■	■	■	■	■	■	■	■	
		2		■	■	■	■	■	■	■	■	■	■	■	
		2 1/2		■	■	■	■	■	■	■	■	■	■	■	
3		■		■	■	■	■	■	■	■	■	■	■		
4		■		■	■	■	■	■	■	■	■	■	■		

Product range overview

Function	Type	Piston diameter [in]	Stroke [in]	Cushioning				Position sensing	Scraper variant		Piston rod extension	
				N	P	P2	P3	A	A1	A4	-...NE	
Double-acting	DPCB- ...											
		1/2	1/8 ... 4	■	■	■	■	■	■	■	■	
		3/4		■	■	■	■	■	■	■	■	
		1 1/16		■	■	■	■	■	■	■	■	
		1 1/2		■	■	■	■	■	■	■	■	
		2		■	■	■	■	■	■	■	■	
		2 1/2		■	■	■	■	■	■	■	■	
		3		■	■	■	■	■	■	■	■	
	4	■		■	■	■	■	■	■	■		
Single-acting	DPCB-...-P (pulling, piston rod advanced by spring force)											
		1/2	1/8 ... 4	■	-	■	-	■	■	■	■	
		3/4		■	-	■	-	■	■	■	■	
		1 1/16		■	-	■	-	■	■	■	■	
		1 1/2		■	-	■	-	■	■	■	■	
		2		■	-	■	-	■	■	■	■	
		2 1/2		■	-	■	-	■	■	■	■	
		3		■	-	■	-	■	■	■	■	
		4		■	-	■	-	■	■	■	■	
		DPCB-...-S (pushing, piston rod retracted by spring force)										
		1/2	1/8 ... 4	■	-	-	■	■	■	■	■	
		3/4		■	-	-	■	■	■	■	■	
		1 1/16		■	-	-	■	■	■	■	■	
		1 1/2		■	-	-	■	■	■	■	■	
		2		■	-	-	■	■	■	■	■	
		2 1/2		■	-	-	■	■	■	■	■	
	3	■		-	-	■	■	■	■	■		
	4	■		-	-	■	■	■	■	■		

Product range overview

Function	Type	Piston diameter [in]	Stroke [in]	Piston rod thread													
				U10	U12	U34	U38	U58	U8C	U10C	U12C	U34C	U38C	U516	U58C	U516C	
Double-acting	DPCB- ...				-	-	-	-	-	■	-	-	-	-	-	-	-
	1/2	1/8 ... 4	-	-	-	-	-	-	■	-	-	-	-	-	-	-	
	3/4		■	-	-	-	-	-	-	■	-	-	-	-	-	-	
	1 1/16		-	-	-	-	-	-	-	-	-	-	-	■	-	■	
	1 1/2		-	-	-	■	-	-	-	-	-	-	■	-	-	-	
	2		-	■	-	-	-	-	-	-	-	■	-	-	-	-	
	2 1/2		-	■	-	-	-	-	-	-	-	■	-	-	-	-	
	3		-	-	-	-	■	-	-	-	-	-	-	-	-	■	-
4	-		-	■	-	-	-	-	-	-	-	■	-	-	-	-	
Single-acting	DPCB-...-P (pulling, piston rod advanced by spring force)				-	-	-	-	-	■	-	-	-	-	-	-	-
	1/2	1/8 ... 4	-	-	-	-	-	-	■	-	-	-	-	-	-	-	
	3/4		■	-	-	-	-	-	-	■	-	-	-	-	-	-	
	1 1/16		-	-	-	-	-	-	-	-	-	-	-	■	-	■	
	1 1/2		-	-	-	■	-	-	-	-	-	-	■	-	-	-	
	2		-	■	-	-	-	-	-	-	-	■	-	-	-	-	
	2 1/2		-	■	-	-	-	-	-	-	-	■	-	-	-	-	
	3		-	-	-	-	■	-	-	-	-	-	-	-	-	■	-
	4		-	-	■	-	-	-	-	-	-	-	■	-	-	-	-
	DPCB-...-S (pushing, piston rod retracted by spring force)				-	-	-	-	-	■	-	-	-	-	-	-	-
	1/2	1/8 ... 4	-	-	-	-	-	-	■	-	-	-	-	-	-	-	
	3/4		■	-	-	-	-	-	-	■	-	-	-	-	-	-	
	1 1/16		-	-	-	-	-	-	-	-	-	-	-	■	-	■	
	1 1/2		-	-	-	■	-	-	-	-	-	-	■	-	-	-	
	2		-	■	-	-	-	-	-	-	-	■	-	-	-	-	
	2 1/2		-	■	-	-	-	-	-	-	-	■	-	-	-	-	
3	-		-	-	-	■	-	-	-	-	-	-	-	-	■	-	
4	-		-	■	-	-	-	-	-	-	-	■	-	-	-	-	

Product range overview

Function	Type	Piston diameter [in]	Stroke [in]	Sensor mounting, external				
				R	R90	R180	R270	
Double-acting	DPCB- ...							
		1/2	1/8 ... 4	■	■	■	–	
		3/4		■	■	■	■	
		1 1/16		■	■	■	■	
		1 1/2		■	■	■	■	
		2		■	■	■	■	
		2 1/2		■	■	■	■	
		3		■	■	■	■	
	4	■		■	■	■		
Single-acting	DPCB-...-P (pulling, piston rod advanced by spring force)							
		1/2	1/8 ... 4	■	■	■	–	
		3/4		■	■	■	■	
		1 1/16		■	■	■	■	
		1 1/2		■	■	■	■	
		2		■	■	■	■	
		2 1/2		■	■	■	■	
		3		■	■	■	■	
		4		■	■	■	■	
		DPCB-...-S (pushing, piston rod retracted by spring force)						
		1/2	1/8 ... 4	■	■	■	–	
		3/4		■	■	■	■	
		1 1/16		■	■	■	■	
		1 1/2		■	■	■	■	
		2		■	■	■	■	
	2 1/2	■		■	■	■		
	3	■		■	■	■		
	4	■		■	■	■		

Type codes

001	Series
DPCB	Pancake cylinder

002	System of units
N	Imperial

003	Protection against rotation
	None
QP	With double piston rod

004	Running characteristics
	Standard
L	Low friction

005	Piston diameter [“]
1/2”	1/2”
3/4”	3/4”
1 1/16”	1 1/16”
1 1/2”	1 1/2”
2”	2”
2 1/2”	2 1/2”
3”	3”
4”	4”

006	Stroke [“]
1/8”	1/8”
1/4”	1/4”
3/8”	3/8”
1/2”	1/2”
5/8”	5/8”
3/4”	3/4”
7/8”	7/8”
1”	1”
1 1/8”	1 1/8”
1 1/4”	1 1/4”
1 3/8”	1 3/8”
1 1/2”	1 1/2”
1 5/8”	1 5/8”
1 3/4”	1 3/4”
1 7/8”	1 7/8”
2”	2”
2 1/8”	2 1/8”
2 1/4”	2 1/4”
2 3/8”	2 3/8”
2 1/2”	2 1/2”
2 5/8”	2 5/8”
2 3/4”	2 3/4”
2 7/8”	2 7/8”
3”	3”
3 1/8”	3 1/8”
3 1/4”	3 1/4”
3 3/8”	3 3/8”
3 1/2”	3 1/2”
3 5/8”	3 5/8”
3 3/4”	3 3/4”
3 7/8”	3 7/8”
4”	4”

007	Function
	Double-acting
P	Single-acting, pulling
S	Single-acting, pushing

008	Piston rod type
	At one end
H	Through, hollow piston rod
T	Through piston rod

009	Piston rod design
	One end plate
J1	One end plate with recess and through-hole
J90	One end plate, rotated 90°
J91	One end plate with recess and through-hole, rotated 90°

010	Piston rod thread type
	Male thread
F	Female thread
N	No thread

011	Compressed air connection
	Lateral
P90	Rotated 90°
P180	180° rotated
P270	270° rotated

012	Cover shape
	Round
QX	Square

013	End cap
	Standard
V	Reinforced

014	Type of mounting
	Standard
U	With swivelling rod eye
CB	Through-holes, at both ends
CF	Through-holes, front
CR	Through-holes, rear
FT	Flange thread, front
MB	Mounting thread, at both ends
MF	Mounting thread, front
MR	Mounting thread, rear
Y2	Trunnion flange mounting position, front
Y3	Trunnion flange mounting position, rear
U90	With swivelling rod eye, rotated 90°

015	Cushioning
N	No cushioning
P	Elastic cushioning rings/plates on both sides
P2	Elastic cushioning rings/plates, front
P3	Elastic cushioning rings/plates, rear

Type codes

016	Position sensing
	None
A	For proximity sensor

017	Temperature range
	Standard
T3	-40 ... +176 °F

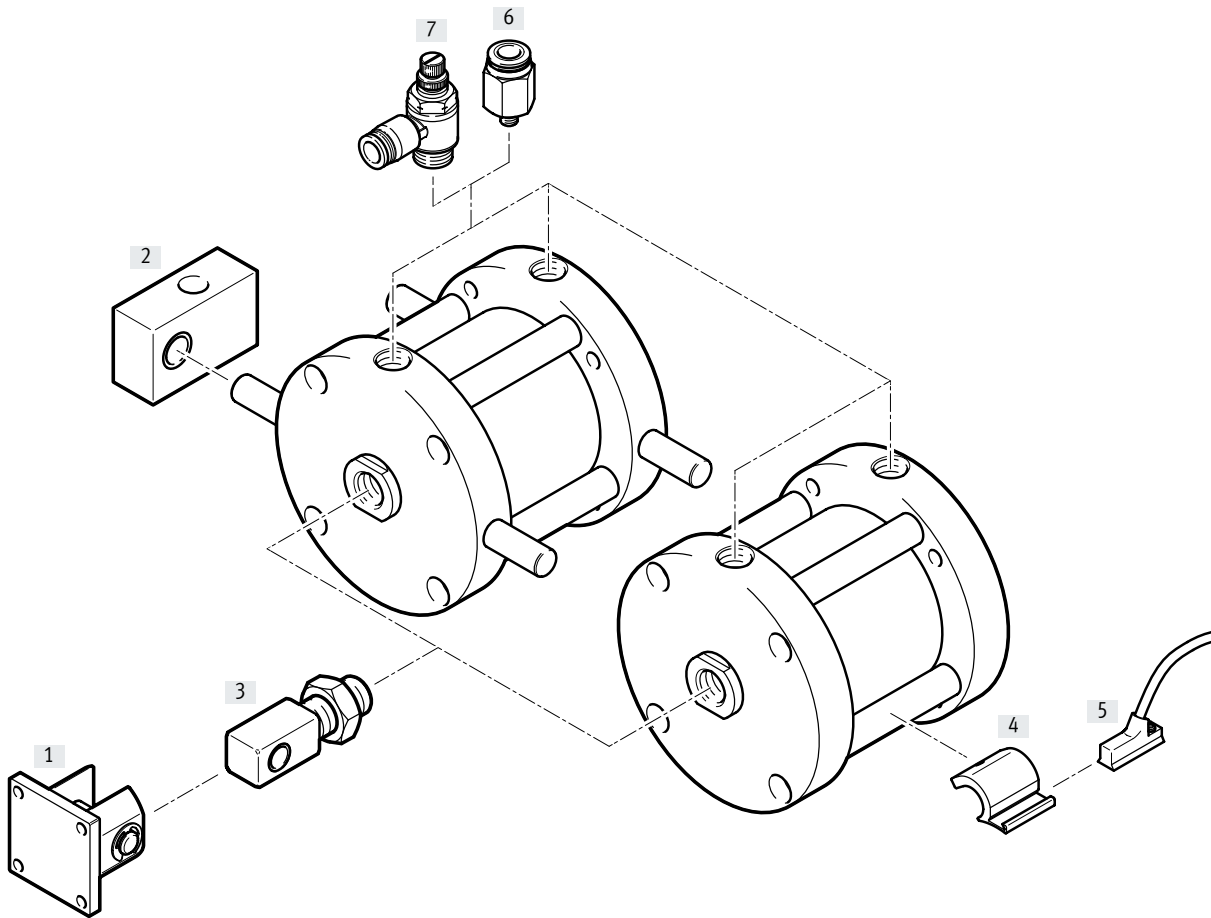
018	Scraper variant
	None
A1	Increased chemical resistance
A4	Scraper made of NBR

019	Piston rod extension
	None
...NE	0 ... 6"

020	Piston rod thread
	Standard
U10	10-32 UNF
U12	1/2-20 UNF
U34	3/4-16 UNF
U38	3/8-24 UNF
U58	5/8-18 UNF
U8C	8-32 UNC
U10C	10-24 UNC
U12C	1/2-13 UNC
U34C	3/4-10 UNC
U38C	3/8-16 UNC
U516	5/16-18 UNC
U58C	5/8-11 UNC
U516C	5/16-18 UNC

021	Sensor mounting, external
	None
R	Mounting rail for sensors
R90	Mounting rail for sensors, rotated 90°
R180	Mounting rail for sensors, rotated 180°
R270	Mounting rail for sensors, rotated 270°

Peripherals overview



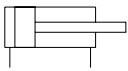
Peripherals overview

Accessories	Description	→ Page/Internet
[1] Clevis flange DAMS-C5-...-D	For connecting to rod clevis DARC	146
[2] Trunnion support DAMC-C5-...-M	For retaining trunnion flange mountings	147
[3] Rod clevis DARC-C5-...-M	Permits swivel motion in one plane	146
[4] Sensor bracket SAMH-NC5	For mounting proximity switch SDBF-FBS	147
[5] Proximity switch SDBF-FBS	Can be inserted in dovetail slot	148
[6] Push-in fitting QB/QBL	For connecting compressed air tubing with standard O.D.	148
[7] Check valve GRLA	For regulating velocity	148

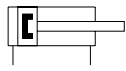
Datasheet

Function

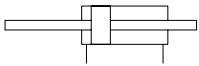
DPCB



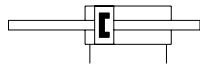
DPCB-...A



DPCB-...T



DPCB-...T-...A



- - Diameter
1/2 ... 4 inch
- - Stroke length
1/8 ... 4 inch

General technical data		1/2	3/4	1 1/16	1 1/2	2	2 1/2	3	4
Piston diameter									
Design	Piston								
	Piston rod								
	Cylinder barrel								
Mode of operation	Double-acting								
Pneumatic connection with internal thread	10-32 UNF-2B			1/8 NPT					
Piston rod thread									
[]	8-32 UNC-2A	10-24 UNC-2A	5/16-18 UNC-2A	3/8-16 UNC-2A	1/2-13 UNC-2A		5/8-11 UNC-2A	3/4-10 UNC-2A	
[F]	8-32 UNC-2B	10-24 UNC-2B	5/16-18 UNC-2B	3/8-16 UNC-2B	1/2-13 UNC-2B		5/8-11 UNC-2B	3/4-10 UNC-2B	
[]	-	10-32 UNF-2A	5/16-24 UNF-2A	3/8-24 UNF-2A	1/2-20 UNF-2A		5/8-18 UNF-2A	3/4-16 UNF-2A	
[F]		10-32 UNF-2B	5/16-24 UNF-2B	3/8-24 UNF-2B	1/2-20 UNF-2B		5/8-18 UNF-2B	3/4-16 UNF-2B	
Piston rod end	External thread								
	Internal thread								
Anti-twist protection/guide	Double piston rod with end plate								
	Double piston rod with end plate, rotated 90°								
	Double piston rod with end plate with recess and through-hole								
	Double piston rod with end plate with recess and through-hole, rotated 90°								
Stroke	[in]	1/8 ... 4							
Cushioning									
[P]	Flexible cushioning rings/pads at both ends								
[P2]	Flexible cushioning rings/pads at front								
[P3]	Flexible cushioning rings/pads at rear								
Position sensing	For proximity switch								
Type of mounting									
[U]	With swiveling rod eye on end cap								
[U90]	With swiveling rod eye on end cap rotated 90°								
[CB]	With through-hole on both sides								
[CF]	With through-hole on bearing cap								
[CR]	With through-hole on end cap								
[Y2]	With trunnion flange mounting on bearing cap								
[Y3]	With trunnion flange mounting on end cap								
[FT]	With threaded flange on bearing cap								
[MB]	Threaded direct mounting on both sides								
[MF]	Threaded direct mounting on bearing cap								
[MR]	Threaded direct mounting on end cap								
	With accessories								
Mounting position	Any								

Datasheet

Operating and environmental conditions								
Piston diameter	1/2	3/4	1 1/16	1 1/2	2	2 1/2	3	4
Operating pressure [psi]	15 ... 150							
Operating medium	Compressed air to ISO 8573-1:2010 [7:4:4]							
Information on operating and pilot media	Lubricated operation possible (in which case lubricated operation will always be required)							
Ambient temperature ¹⁾ [°F]	-25 ... +221							

1) Note operating range of proximity switches

Forces [lbs] at 80 psi								
Piston diameter	1/2	3/4	1 1/16	1 1/2	2	2 1/2	3	4
Theoretical force, pushing (piston rod retracted by spring force) ¹⁾	16	35.2	70.4	140.8	251.2	392.8	565.6	1005.6
Theoretical force, pulling (piston rod advanced by spring force)	12	28.8	55.2	116	212.8	357.6	517.6	942.4

1) Only applies to variant H (through, hollow piston rod) and variant T (through piston rod)

Forces with variant QP (with double piston rod) [lbs]								
Piston diameter	1/2	3/4	1 1/16	1 1/2	2	2 1/2	3	4
Theoretical force at 80 psi, pushing (piston rod retracted by spring force) ¹⁾	–	35.2	70.4	140.8	251.2	–		
Theoretical force at 80 psi, pulling (piston rod advanced by spring force)		31.2	62.4	123.2	220.8			

1) Only applies to variant H (through, hollow piston rod) and variant T (through piston rod)

Materials	
Cover	Wrought aluminum alloy
Dynamic seals	NBR
	FPM
Piston rod	High-alloy stainless steel, hard chrome plated
Cylinder barrel	Reinforced composite material
Note on materials	Contains paint-wetting impairment substances
	RoHS-compliant

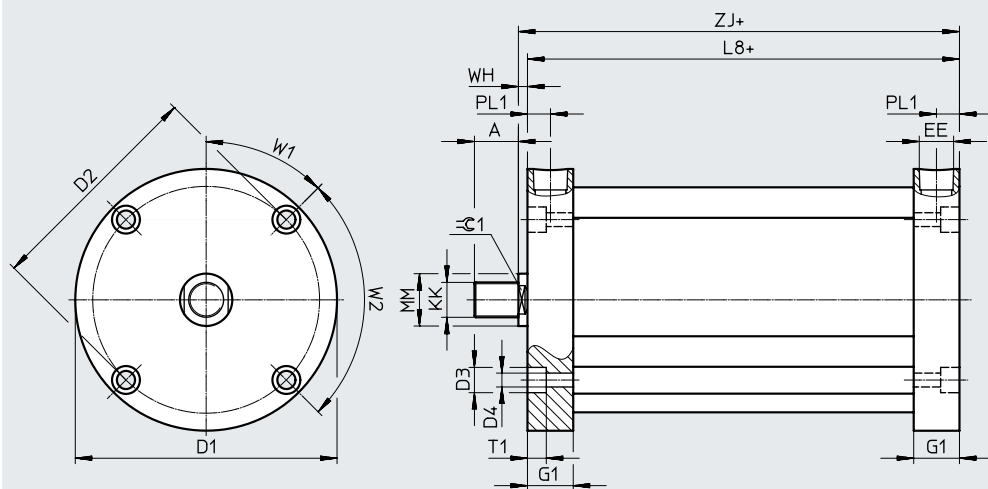
Weight [lb]								
Piston diameter	1/2	3/4	1 1/16	1 1/2	2	2 1/2	3	4
Product weight	0.07 ... 0.08	0.11 ... 0.13	0.29 ... 0.35	0.58 ... 0.68	0.78 ... 0.92	1.34 ... 1.69	1.73 ... 2.30	3.34 ... 4.34

Datasheet

Dimensions – piston diameter 1/2

Download CAD data → www.festo.com

[] External thread



+ = plus stroke length

Stroke [in]	A	D1 ∅	D2 ∅	D3 ∅	D4 ∅	EE	G1	KK
1/8...4	0.38	1.12	0.88	0.2	0.13	10-32 UNF	0.34	8-24 UNC

Stroke [in]	L8	MM ∅	PL1	T1	W1	W2	WH	ZJ	⊙ 1
1/8...4	0.56	0.25	0.14	0.13	90°	-	0.13	0.69	0.22

Dimensions – piston diameter 1/2

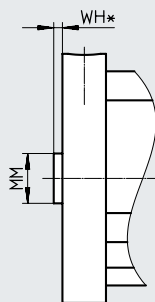
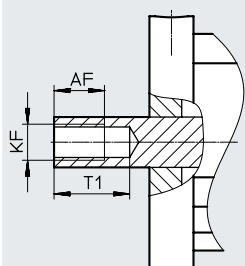
Download CAD data → www.festo.com

[F] Internal thread

[N] No thread

DPCB-...-F

DPCB-...-N



+ = plus stroke length

Stroke [in]	AF	KF	T1	MM ∅	WH
	[F]	[F]	[F]	[N]	[N]
1/8	0.294	8-32 UNC	-	0.25	0.13
1/4	0.419	8-32 UNC	-	0.25	0.13
3/8	0.544	8-32 UNC	-	0.25	0.13
1/2	0.544	8-32 UNC	-	0.25	0.13
5/8...4	0.46	8-32 UNC	-	0.25	0.13

- **Note**

Piston ∅ 1/2 only with coarse thread UNC

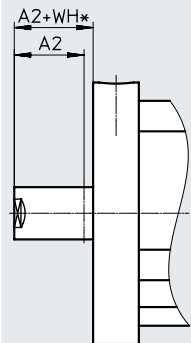
Piston ∅ 3/4...4 with fine thread UNF or coarse thread UNC

Datasheet

Dimensions – piston diameter 1/2

Download CAD data → www.festo.com

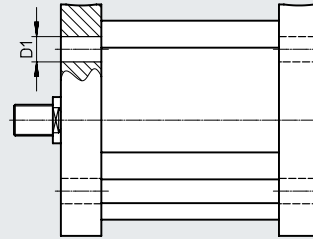
[NE] Piston rod extension



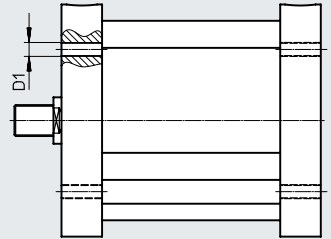
[CB] – Through-holes, at both ends

[MB] – Mounting thread, at both ends

DPCB-...-CB



DPCB-...-MB

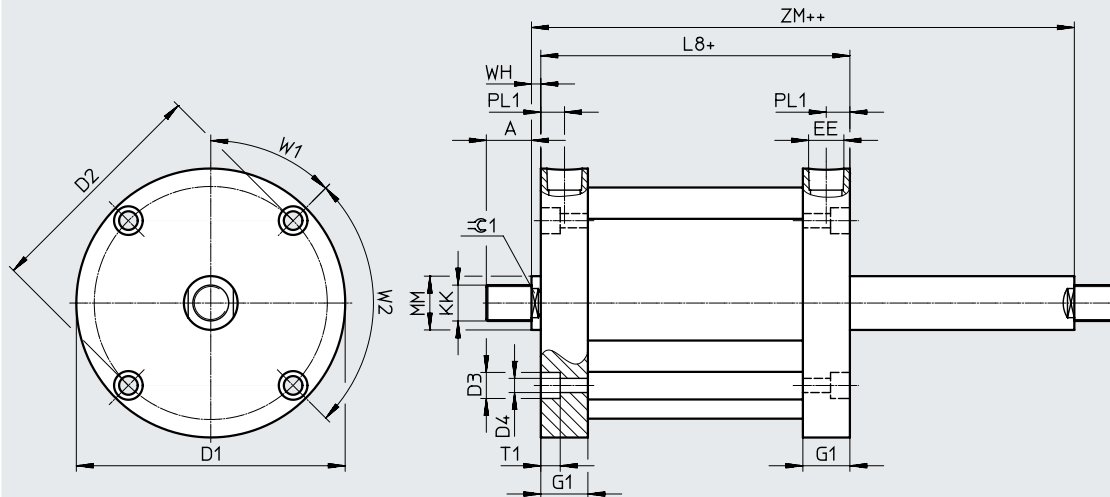


Stroke [in]	A2		WH	D1	
	min.	max.		∅ [CB]	∅ [MB]
1/8...4	0.001	6	0.13	0.17	4-40 UNC

Dimensions – piston diameter 1/2

Download CAD data → www.festo.com

[T] Through piston rod



+ = plus stroke length

++ = plus 2x stroke length

Stroke [in]	A	D1 ∅	D2 ∅	D3 ∅	D4 ∅	EE	G1	KK
1/8...4	0.38	1.12	0.88	0.2	0.13	10-32 UNF	0.34	8-24 UNC

Stroke [in]	L8	MM ∅	PL1	T1	W1	W2	WH	ZM	∅ 1
1/8...4	0.69	0.25	0.14	0.13	90°	–	0.13	0.95	0.22

Datasheet

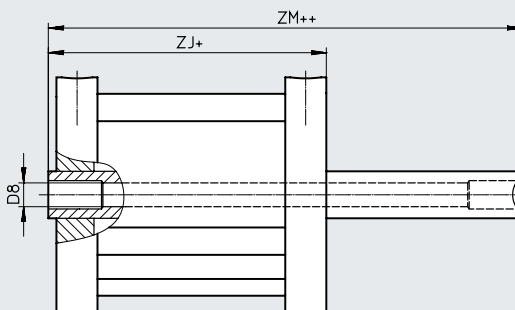
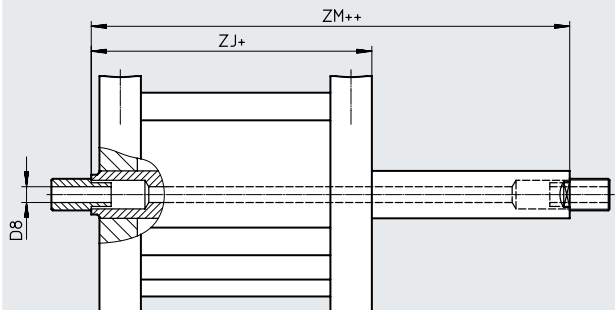
Dimensions – piston diameter 1/2

Download CAD data → www.festo.com

- [H] Through, hollow piston rod
- [H] [F] Through, hollow piston rod with internal thread

DPCB-...-H

DPCB-...-H-...-F



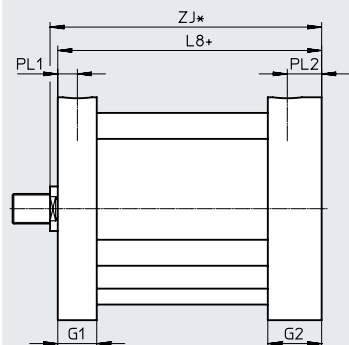
+ = plus stroke length
 ++ = plus 2x stroke length

Stroke [in]	D8 ∅	[F]	ZJ	ZM
1/8...4	-	0.14	0.82	0.95

Dimensions – piston diameter 1/2

Download CAD data → www.festo.com

- [V] Reinforced end cap



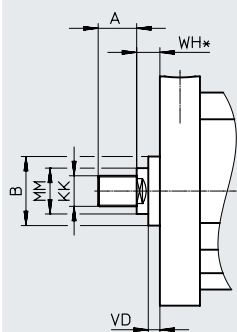
*/+ = plus stroke length

Stroke [in]	G1	G2	L8	PL1	PL2	ZJ
1/8...4	0.34	0.47	0.69	0.14	0.27	0.82

Dimensions – piston diameter 1/2

Download CAD data → www.festo.com

- [A4] Scraper made of NBR



Stroke [in]	A	B	KK	MM ∅	WH	VD
1/8...4	0.38	0.56	8-24 UNC	0.25	0.38	0.19

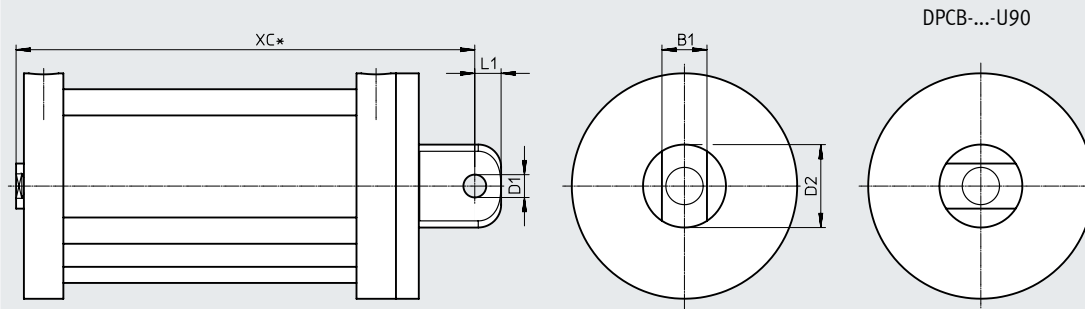
Datasheet

Dimensions – piston diameter 1/2

Download CAD data → www.festo.com

[U] With swiveling rod eye

[U90] With swiveling rod eye, rotated 90°



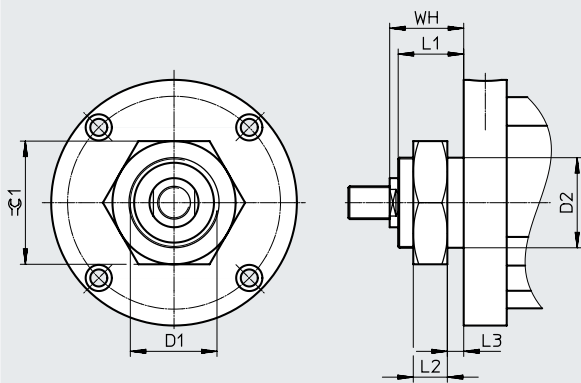
+ = plus stroke length

Stroke [in]	B1	D1 ∅	D2 ∅	L1	XC
1/8...4	0.38	0.19	0.63	0.25	1.44

Dimensions – piston diameter 1/2

Download CAD data → www.festo.com

[FT] Flange thread, front



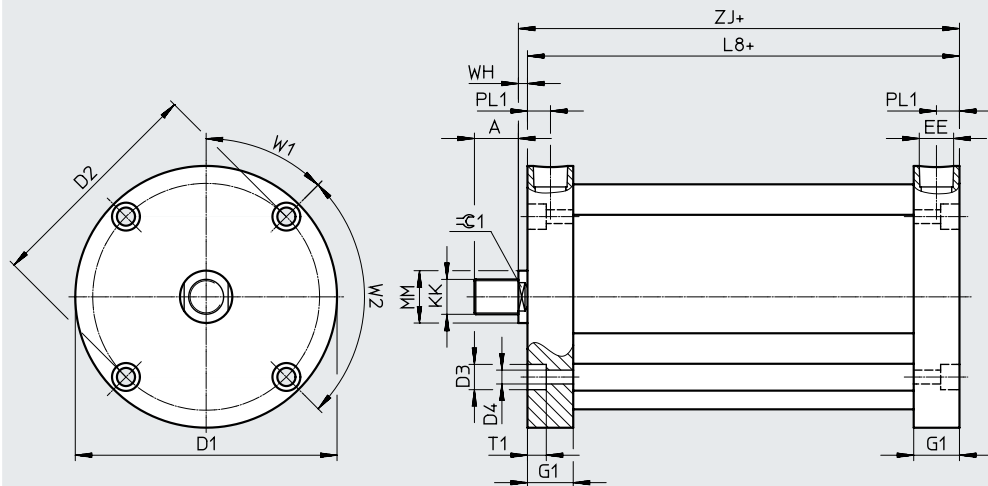
Stroke [in]	D1	D2 ∅	L1	L2	L3	WH	⌀ 1
1/8...4	1/2-20 UNF-2A	0.5	0.38	0.31	0.6	0.51	0.75

Datasheet

Dimensions – piston diameter 3/4

Download CAD data → www.festo.com

[] External thread



+ = plus stroke length

Stroke [in]	A	D1 ∅	D2 ∅	D3 ∅	D4 ∅	EE	G1	KK	
1/8	0.38	1.49	1.22	0.24	0.15	10-32 UNF	0.34	10-24 UNC	10-32 UNF
1/4	0.38	1.49	1.22	0.24	0.15	10-32 UNF	0.34	10-24 UNC	10-32 UNF
3/8	0.38	1.49	1.22	0.24	0.15	10-32 UNF	0.34	10-24 UNC	10-32 UNF
1/2	0.38	1.49	1.22	0.24	0.15	10-32 UNF	0.34	10-24 UNC	10-32 UNF
5/8...4	0.38	1.49	1.22	0.24	0.15	10-32 UNF	0.34	10-24 UNC	10-32 UNF

Stroke [in]	L8	MM ∅	PL1	T1	W1	W2	WH	ZJ	≈ 1
1/8	0.56	0.31	0.14	0.15	43°	90°	0.13	0.69	0.25
1/4	0.56	0.31	0.14	0.15	43°	90°	0.13	0.69	0.25
3/8	0.56	0.31	0.14	0.15	43°	90°	0.13	0.69	0.25
1/2	0.56	0.31	0.14	0.15	43°	90°	0.13	0.69	0.25
5/8...4	0.56	0.31	0.14	0.15	43°	90°	0.13	0.69	0.25

Dimensions – piston diameter 3/4

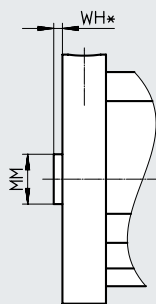
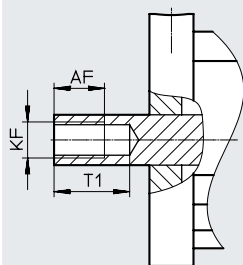
Download CAD data → www.festo.com

[F] Internal thread

[N] No thread

DPCB-...-F

DPCB-...-N



+ = plus stroke length

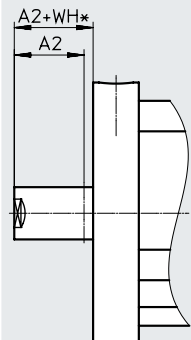
Stroke [in]	AF	KF		T1	MM ∅	WH
	[F]	[F]	[F]	[F]	[N]	[N]
1/8	0.298	10-24 UNC	10-32 UNF	-	0.31	0.13
1/4	0.423	10-24 UNC	10-32 UNF	-	0.31	0.13
3/8	0.548	10-24 UNC	10-32 UNF	-	0.31	0.13
1/2	0.548	10-24 UNC	10-32 UNF	-	0.31	0.13
5/8...4	0.46	10-24 UNC	10-32 UNF	-	0.31	0.13

Datasheet

Dimensions – piston diameter 3/4

Download CAD data → www.festo.com

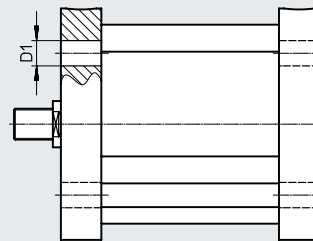
[NE] Piston rod extension



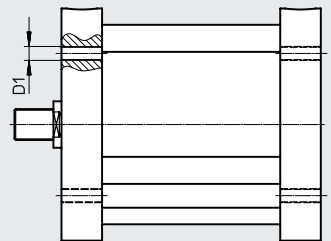
[CB] – Through-holes, at both ends

[MB] – Mounting thread, at both ends

DPCB-...-CB



DPCB-...-MB

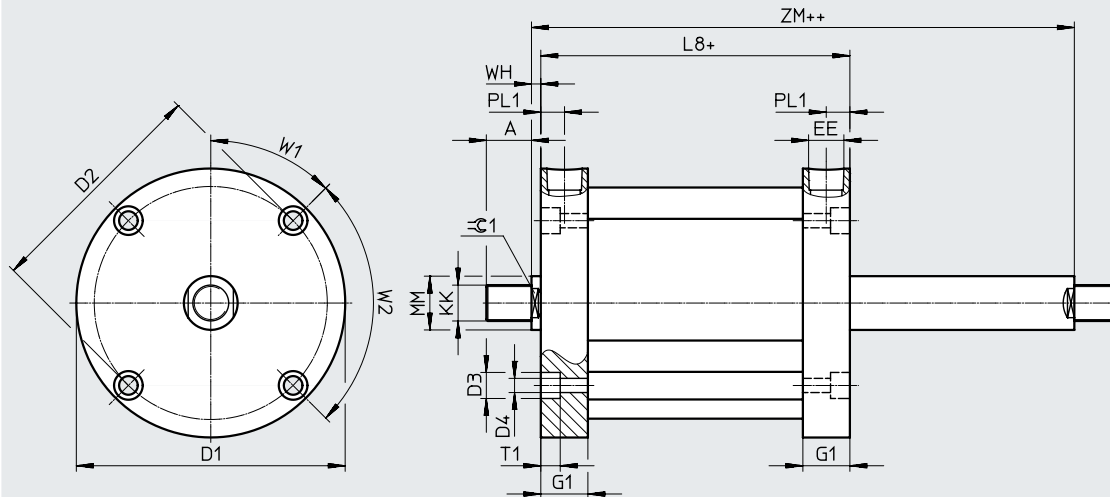


Stroke [in]	A2		WH	D1	
	min.	max.		∅ [CB]	∅ [MB]
1/8...4	0.001	6	0.13	0.23	6-32 UNC

Dimensions – piston diameter 3/4

Download CAD data → www.festo.com

[T] Through piston rod



+ = plus stroke length
 ++ = plus 2x stroke length

Stroke [in]	A	D1 ∅	D2 ∅	D3 ∅	D4 ∅	EE	G1	KK	
1/8...4	0.38	1.49	1.22	0.24	0.15	10-32 UNF	0.34	10-24 UNC	10-32 UNF

Stroke [in]	L8	MM ∅	PL1	T1	W1	W2	WH	ZM	∠ 1
1/8...4	0.69	0.31	0.14	0.15	43°	90°	0.13	0.95	0.25

Datasheet

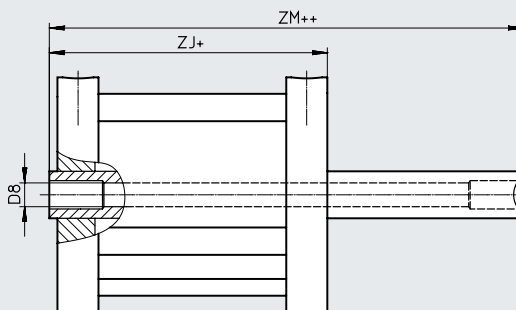
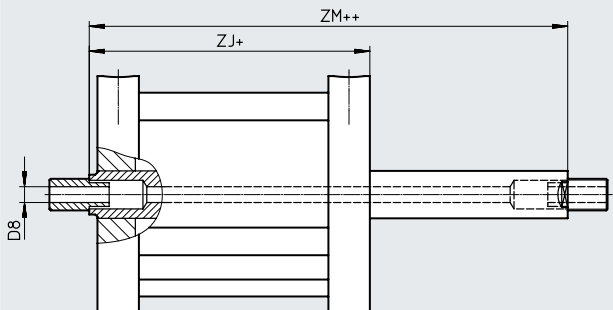
Dimensions – piston diameter 3/4

Download CAD data → www.festo.com

- [H] Through, hollow piston rod
- [H] [F] Through, hollow piston rod with internal thread

DPCB-...-H

DPCB-...-H-...-F



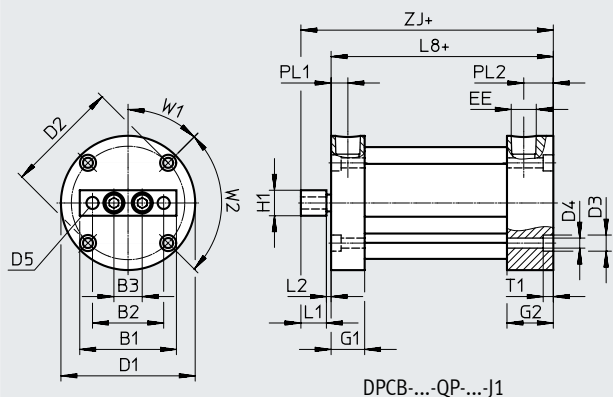
+ = plus stroke length
 ++ = plus 2x stroke length

Stroke [in]	D8 ∅		ZJ	ZM
1/8...4	0.09	[F] 0.14	0.82	0.95

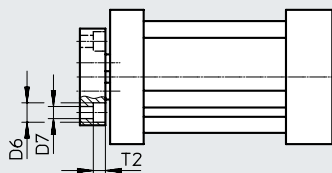
Dimensions – piston diameter 3/4

Download CAD data → www.festo.com

- [QP] With double piston rod
- [QP] [J1] With double piston rod and one end plate with recess and through-hole



DPCB-...-QP-...-J1



Stroke [in]	B1	B2	B3	D1 ∅	D2 ∅	D3 ∅	D4 ∅	D5	D6 ∅	D7 ∅	EE
1/2...4	1.25	0.88	0.332	1.49	1.22	0.24	0.15	6-32 UNC	[J1] 0.24	[J1] 0.15	10-32 UNF

Stroke [in]	G1	G2	L1	L2	L8	PL1	PL2	T1	T2	W1	W2	ZJ
1/2...4	0.34	0.47	0.38	0.07	0.94	0.14	0.27	0.15	[J1] 0.15	45°	90°	1.39

Datasheet

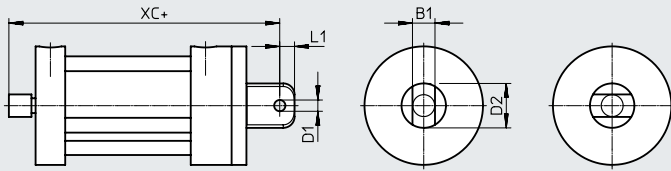
Dimensions – piston diameter 3/4

Download CAD data → www.festo.com

[QP] [U] With double piston rod and swiveling rod eye

[QP] [U90] With double piston rod and swiveling rod eye, rotated 90°

DPCB-...-QP-...-U DPCB-...-QP-...-U90

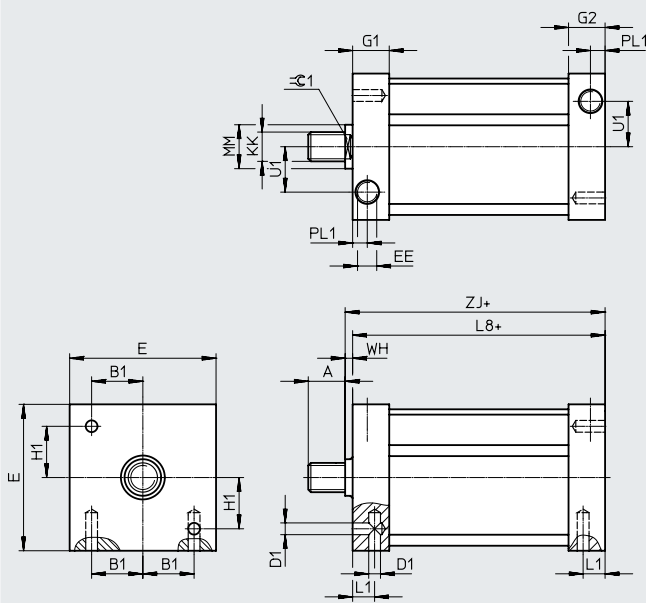


Stroke [in]	B1	D1 ∅	D2 ∅	L1	XC
1/2...4	0.38	0.19	0.75	0.25	2.14

Dimensions – piston diameter 3/4

Download CAD data → www.festo.com

[QX] Square cap geometry



+ = plus stroke length

Stroke [in]	A	B1	D1 ∅	E	EE	G1	G2	H1	KK
1/8...4	0.38	0.38	6-32 UNC	1.25	10-32 UNF	0.42	0.42	0.38	10-24 UNC 10-32 UNF

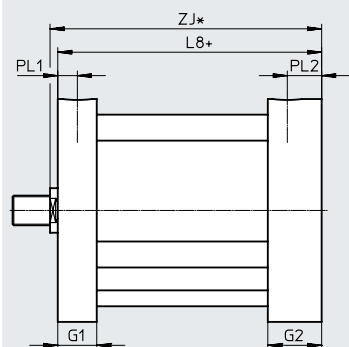
Stroke [in]	L1	L8	MM ∅	PL1	U1	WH	ZJ	⊕ 1
1/8...4	0.28	0.75	0.31	0.14	0.3	0.13	0.88	0.25

Datasheet

Dimensions – piston diameter 3/4

Download CAD data → www.festo.com

[V] Reinforced end cap



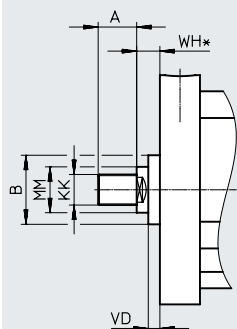
*/+ = plus stroke length

Stroke [in]	G1	G2	L8	PL1	PL2	ZJ
1/8...4	0.34	0.47	0.69	0.14	0.27	0.82

Dimensions – piston diameter 3/4

Download CAD data → www.festo.com

[A4] Scraper made of NBR



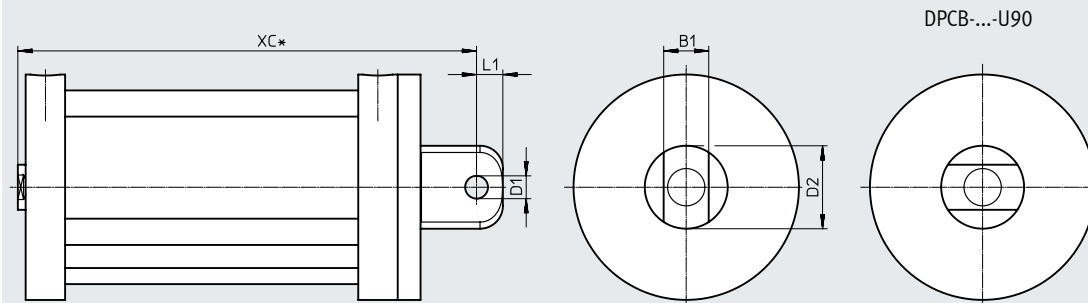
Stroke [in]	A	B	KK	MM	WH	VD
1/8...4	0.38	0.69	10-24 UNC 10-32 UNF	0.31 ∅	0.38	0.19

Dimensions – piston diameter 3/4

Download CAD data → www.festo.com

[U] With swiveling rod eye

[U90] With swiveling rod eye, rotated 90°



+ = plus stroke length

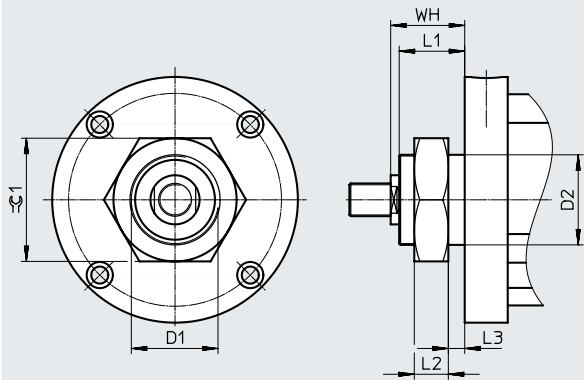
Stroke [in]	B1	D1	D2	L1	XC
1/8...4	0.38	0.19 ∅	0.75 ∅	0.25	1.44

Datasheet

Dimensions – piston diameter 3/4

Download CAD data → www.festo.com

[FT] Flange thread, front



Stroke [in]	D1	D2 ∅	L1	L2	L3	WH	⊖ 1
1/8...4	5/8-18 UNF-2A	0.62	0.38	0.25	0.6	0.51	0.75

Dimensions – piston diameter 3/4

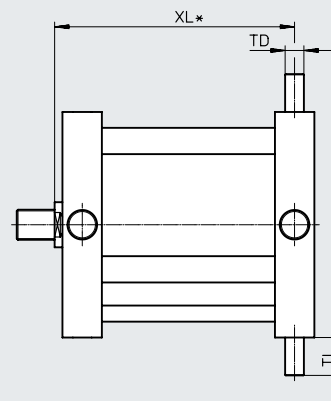
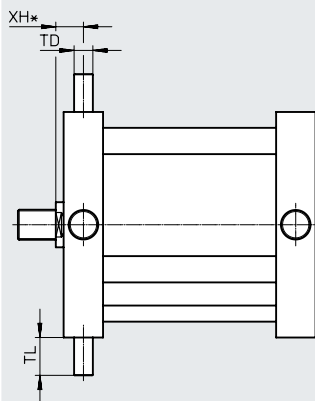
Download CAD data → www.festo.com

[Y2] Trunnion flange mounting position, front

[Y3] Trunnion flange mounting position, rear

DPCB-...-Y2

DPCB-...-Y3



XL* = plus stroke length

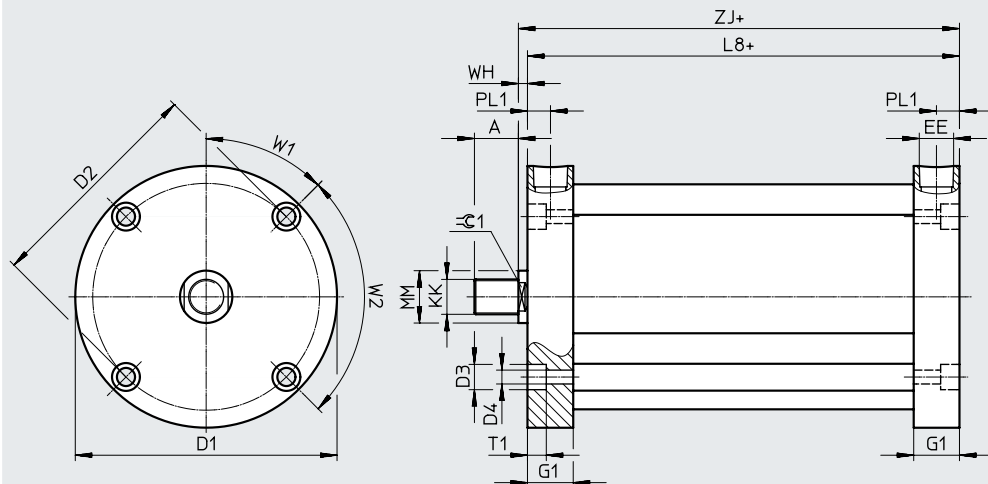
Stroke [in]	TD	TL	XH	XL
			[Y2]	[Y3]
1/8...4	0.125	0.31	0.3	0.52

Datasheet

Dimensions – piston diameter 1 1/16

Download CAD data → www.festo.com

[] External thread



+ = plus stroke length

Stroke [in]	A	D1 ø	D2 ø	D3 ø	D4 ø	EE	G1	KK	
1/8	0.5	1.99	1.69	0.24	0.15	1/8 NPT	0.5	5/16-18 UNC	5/16-24 UNF
1/4	0.5	1.99	1.69	0.24	0.15	1/8 NPT	0.5	5/16-18 UNC	5/16-24 UNF
3/8	0.5	1.99	1.69	0.24	0.15	1/8 NPT	0.5	5/16-18 UNC	5/16-24 UNF
1/2	0.5	1.99	1.69	0.24	0.15	1/8 NPT	0.5	5/16-18 UNC	5/16-24 UNF
5/8...4	0.5	1.99	1.69	0.24	0.15	1/8 NPT	0.5	5/16-18 UNC	5/16-24 UNF

Stroke [in]	L8	MM ø	PL1	T1	W1	W2	WH	ZJ	≈ 1
1/8	0.88	0.5	0.25	0.15	45°	90°	0.13	1.01	0.44
1/4	0.88	0.5	0.25	0.15	45°	90°	0.13	1.01	0.44
3/8	0.88	0.5	0.25	0.15	45°	90°	0.13	1.01	0.44
1/2	0.88	0.5	0.25	0.15	45°	90°	0.13	1.01	0.44
5/8...4	0.88	0.5	0.25	0.15	45°	90°	0.13	1.01	0.44

Dimensions – piston diameter 1 1/16

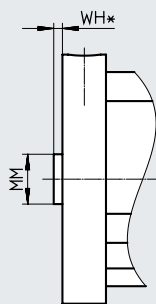
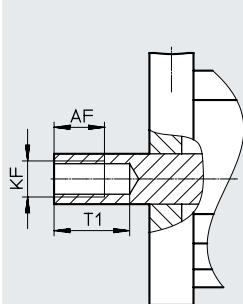
Download CAD data → www.festo.com

[F] Internal thread

[N] No thread

DPCB-...-F

DPCB-...-N



+ = plus stroke length

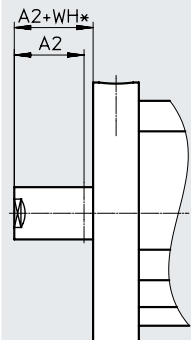
Stroke [in]	AF	KF		T1	MM ø	WH
	[F]	[F]	[F]	[F]	[N]	[N]
1/8	0.427	5/16-18 UNC	5/16-24 UNF	-	0.5	0.13
1/4	0.552	5/16-18 UNC	5/16-24 UNF	-	0.5	0.13
3/8	0.677	5/16-18 UNC	5/16-24 UNF	-	0.5	0.13
1/2	0.802	5/16-18 UNC	5/16-24 UNF	-	0.5	0.13
5/8...4	0.7	5/16-18 UNC	5/16-24 UNF	-	0.5	0.13

Datasheet

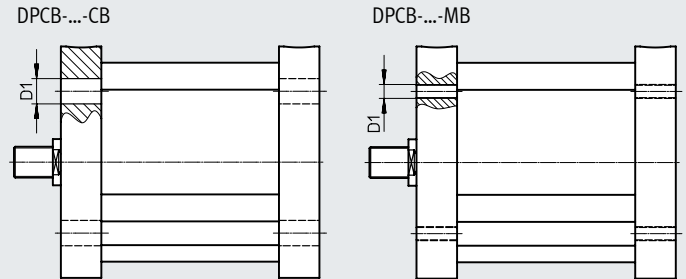
Dimensions – piston diameter 1 1/16

Download CAD data → www.festo.com

[NE] Piston rod extension



[CB] – Through-holes, at both ends
[MB] – Mounting thread, at both ends

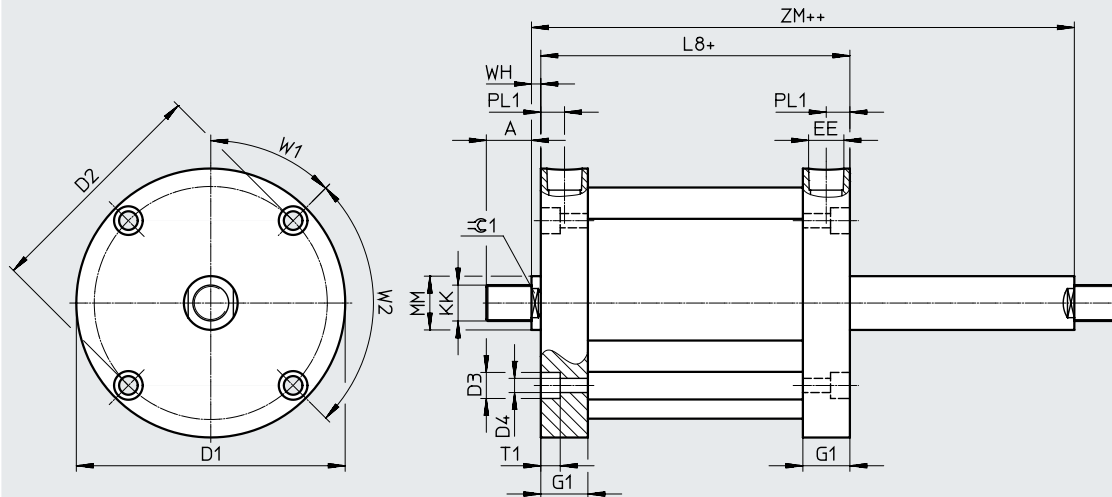


Stroke [in]	A2		WH	D1	
	min.	max.		∅ [CB]	∅ [MB]
1/8...4	0.001	6	0.13	0.25	6-32 UNC

Dimensions – piston diameter 1 1/16

Download CAD data → www.festo.com

[T] Through piston rod



+ = plus stroke length
++ = plus 2x stroke length

Stroke [in]	A	D1 ∅	D2 ∅	D3 ∅	D4 ∅	EE	G1	KK	
1/8...4	0.5	1.99	1.69	0.24	0.15	1/8 NPT	0.5	5/16-18 UNC	5/16-24 UNF

Stroke [in]	L8	MM ∅	PL1	T1	W1	W2	WH	ZM	∠ 1
1/8...4	0.94	0.5	0.25	0.15	45°	90°	0.13	1.2	0.44

Datasheet

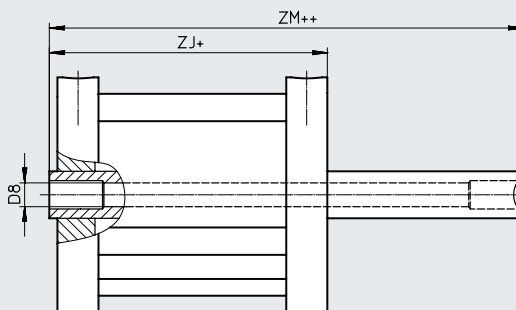
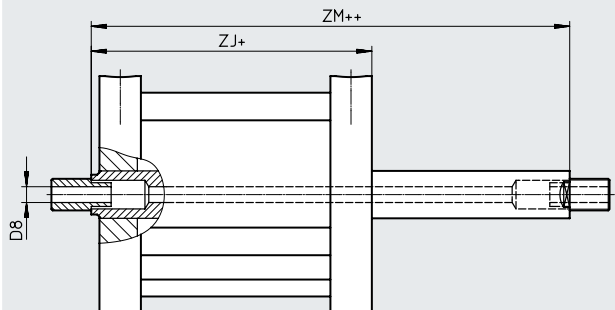
Dimensions – piston diameter 1 1/16

Download CAD data → www.festo.com

- [H] Through, hollow piston rod
- [H] [F] Through, hollow piston rod with internal thread

DPCB-...-H

DPCB-...-H-...-F



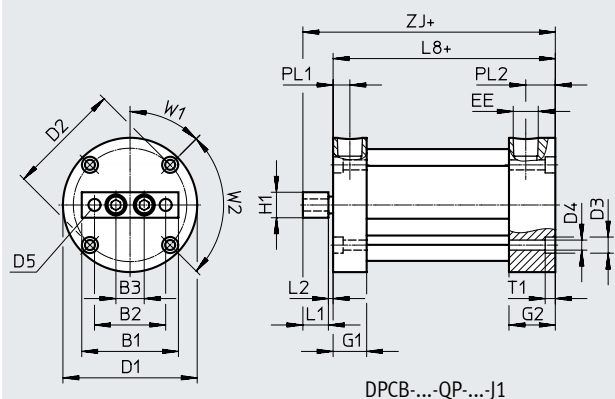
+ = plus stroke length
 ++ = plus 2x stroke length

Stroke [in]	D8 ∅		ZJ	ZM
		[F]		
1/8...4	0.16	0.22	1.07	1.2

Dimensions – piston diameter 1 1/16

Download CAD data → www.festo.com

- [QP] With double piston rod
- [QP] [J1] With double piston rod and one end plate with recess and through-hole



DPCB-...-QP-...-J1

Stroke [in]	B1	B2	B3	D1 ∅	D2 ∅	D3 ∅	D4 ∅	D5	D6 ∅	D7 ∅	EE
									[J1]	[J1]	
1/2...4	1.44	1.06	0.422	1.99	1.69	0.24	0.15	8-32 UNC	0.29	0.18	1/8 NPT

Stroke [in]	G1	G2	L1	L2	L8	PL1	PL2	T1	T2	W1	W2	ZJ
									[J1]			
1/2...4	0.5	0.69	0.38	0.07	1.31	0.25	0.44	0.15	0.18	45°	90°	1.76

Datasheet

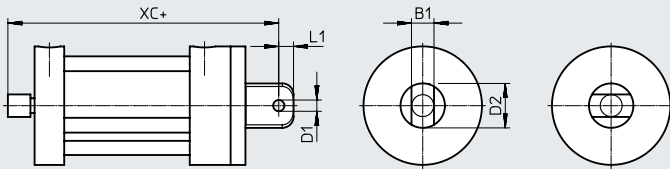
Dimensions – piston diameter 1 1/16

Download CAD data → www.festo.com

[QP] [U] With double piston rod and swiveling rod eye

[QP] [U90] With double piston rod and swiveling rod eye, rotated 90°

DPCB-...-QP-...-U DPCB-...-QP-...-U90

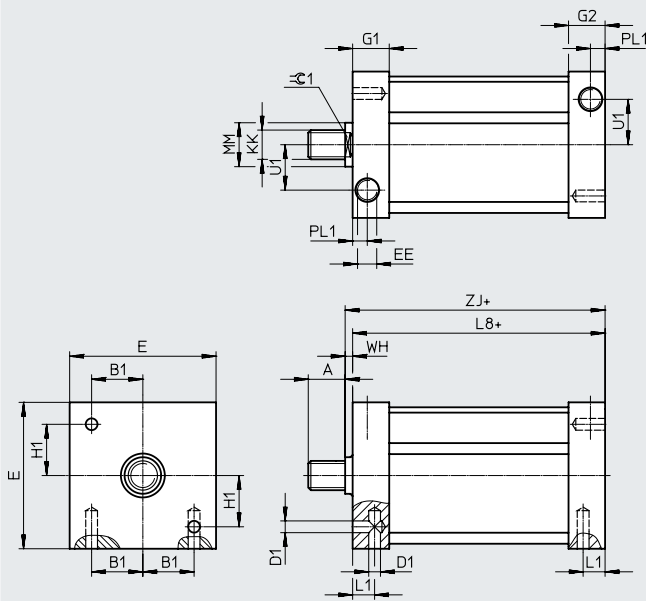


Stroke [in]	B1	D1 ∅	D2 ∅	L1	XC
1/2...4	0.38	0.19	0.75	0.25	2.57

Dimensions – piston diameter 1 1/16

Download CAD data → www.festo.com

[QX] Square cap geometry



+ = plus stroke length

Stroke [in]	A	B1	D1 ∅	E	EE	G1	G2	H1	KK	
1/8...4	0.5	0.5	8-32 UNC	1.5	1/8 NPT	0.58	0.5	0.5	5/16-18 UNC	5/16-24 UNF

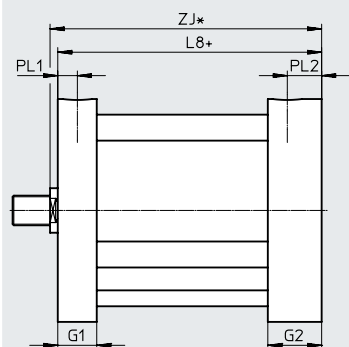
Stroke [in]	L1	L8	MM ∅	PL1	U1	WH	ZJ	⊕ 1	
1/8...4	0.38	1.25	0.5	0.25	0.5	0.13	1.38	0.44	

Datasheet

Dimensions – piston diameter 1 1/16

Download CAD data → www.festo.com

[V] Reinforced end cap



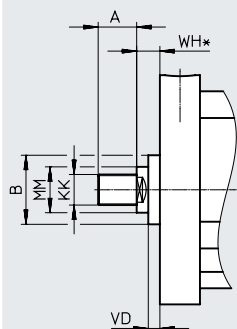
*/+ = plus stroke length

Stroke [in]	G1	G2	L8	PL1	PL2	ZJ
1/8...4	0.5	0.69	1.07	0.25	0.44	1.2

Dimensions – piston diameter 1 1/16

Download CAD data → www.festo.com

[A4] Scraper made of NBR



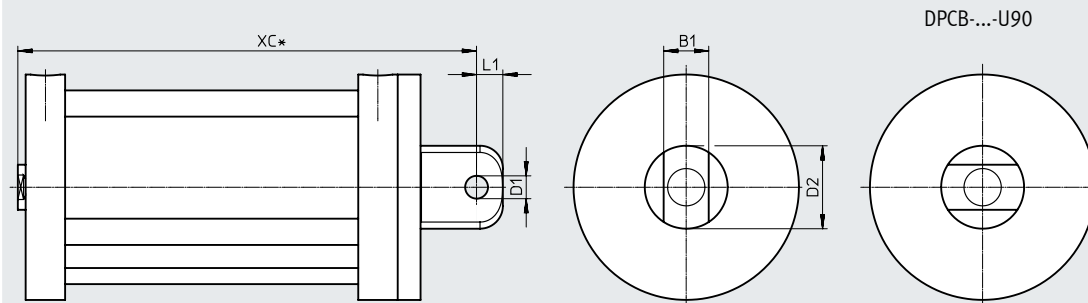
Stroke [in]	A	B	KK	MM \varnothing	WH	VD
1/8...4	0.5	0.88	5/16-18 UNC 5/16-24 UNF	0.5	0.38	0.19

Dimensions – piston diameter 1 1/16

Download CAD data → www.festo.com

[U] With swiveling rod eye

[U90] With swiveling rod eye, rotated 90°



+ = plus stroke length

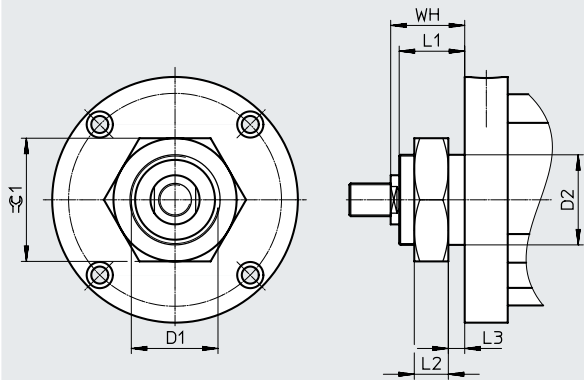
Stroke [in]	B1	D1 \varnothing	D2 \varnothing	L1	XC
1/8...4	0.38	0.19	0.75	0.25	1.82

Datasheet

Dimensions – piston diameter 1 1/16

Download CAD data → www.festo.com

[FT] Flange thread, front



Stroke [in]	D1	D2 ∅	L1	L2	L3	WH	⊖ 1
1/8...4	1-14 UNF-2A	1	0.75	0.55	0.13	0.88	1.5

Dimensions – piston diameter 1 1/16

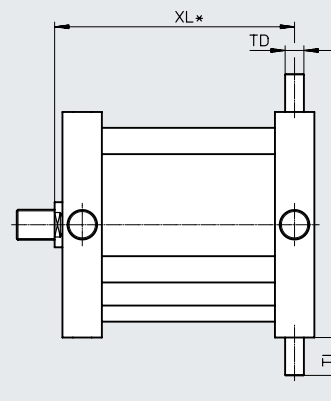
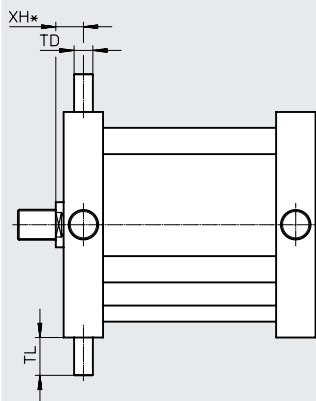
Download CAD data → www.festo.com

[Y2] Trunnion flange mounting position, front

[Y3] Trunnion flange mounting position, rear

DPCB-...-Y2

DPCB-...-Y3



XL* = plus stroke length

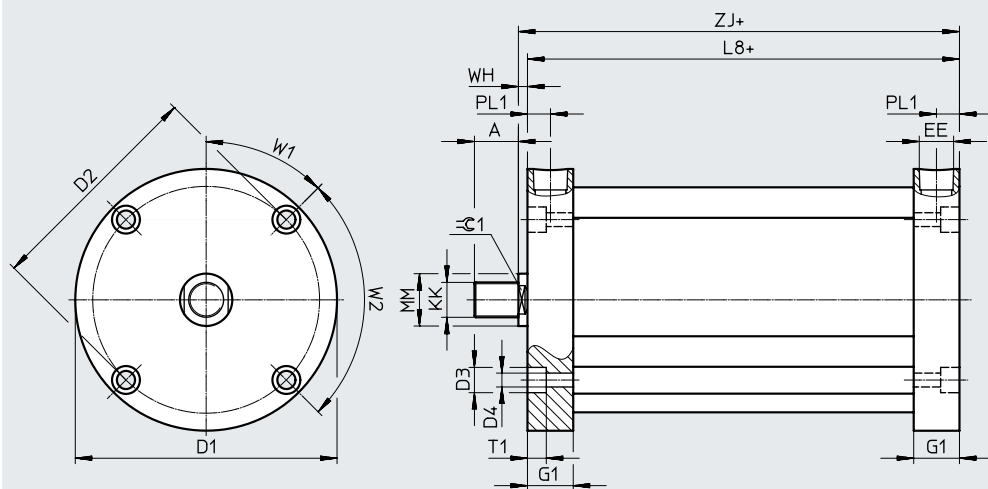
Stroke [in]	TD	TL	XH	XL
			[Y2]	[Y3]
1/8...4	0.25	0.5	0.38	0.76

Datasheet

Dimensions – piston diameter 1 1/2

Download CAD data → www.festo.com

[] External thread



+ = plus stroke length

Stroke [in]	A	D1 ∅	D2 ∅	D3 ∅	D4 ∅	EE	G1	KK	
1/8...4	0.5	2.62	2.19	0.34	0.2	1/8 NPT	0.5	3/8-16 UNC	3/8-24 UNF

Stroke [in]	L8	MM ∅	PL1	T1	W1	W2	WH	ZJ	⊕ 1
1/8...4	0.88	0.63	0.25	0.22	45°	90°	0.13	1.01	0.5

Dimensions – piston diameter 1 1/2

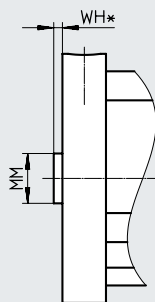
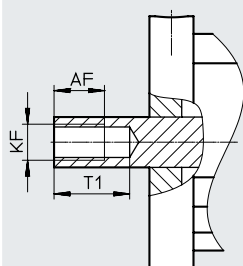
Download CAD data → www.festo.com

[F] Internal thread

[N] No thread

DPCB-...-F

DPCB-...-N



+ = plus stroke length

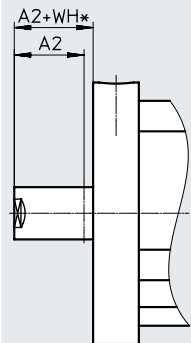
Stroke [in]	AF	KF		T1	MM ∅	WH
	[F]	[F]	[F]	[F]	[N]	[N]
1/8...4	0.75	3/8-16 UNC	3/8-24 UNF	1.125	0.63	0.13

Datasheet

Dimensions – piston diameter 1 1/2

Download CAD data → www.festo.com

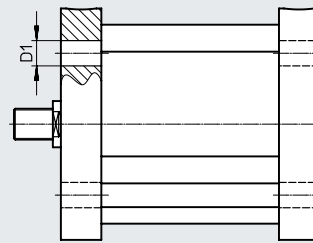
[NE] Piston rod extension



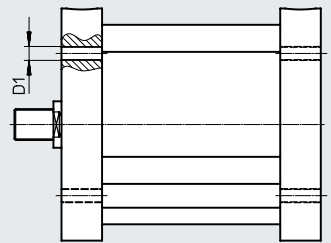
[CB] – Through-holes, at both ends

[MB] – Mounting thread, at both ends

DPCB-...-CB



DPCB-...-MB

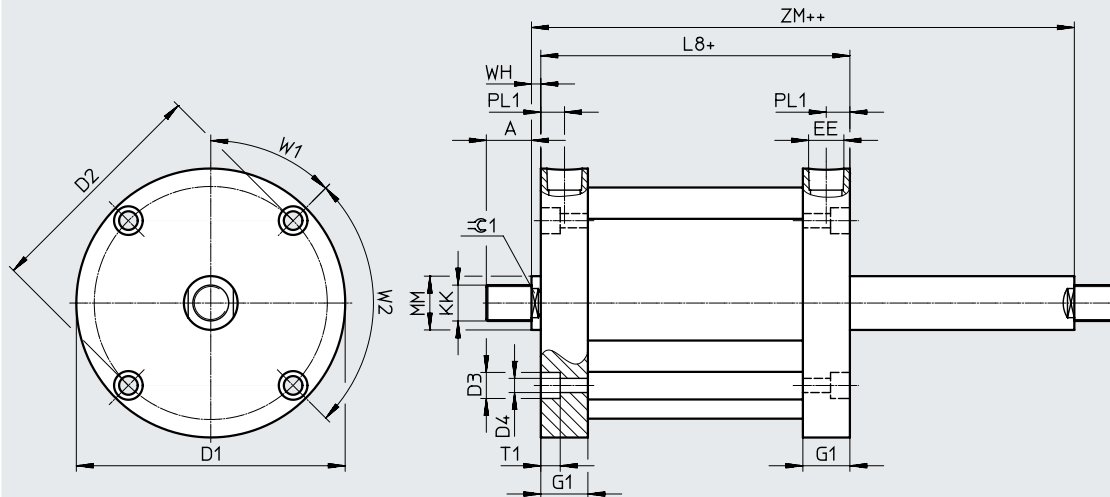


Stroke [in]	A2		WH	D1	
	min.	max.		∅ [CB]	∅ [MB]
1/8...4	0.001	6	0.13	0.34	10-24 UNC

Dimensions – piston diameter 1 1/2

Download CAD data → www.festo.com

[T] Through piston rod



+ = plus stroke length
 ++ = plus 2x stroke length

Stroke [in]	A	D1 ∅	D2 ∅	D3 ∅	D4 ∅	EE	G1	KK	
1/8...4	0.5	2.62	2.19	0.34	0.2	1/8 NPT	0.5	3/8-16 UNC	3/8-24 UNF

Stroke [in]	L8	MM ∅	PL1	T1	W1	W2	WH	ZM	∅ 1
1/8...4	1	0.63	0.25	0.22	45°	90°	0.13	1.26	0.5

Datasheet

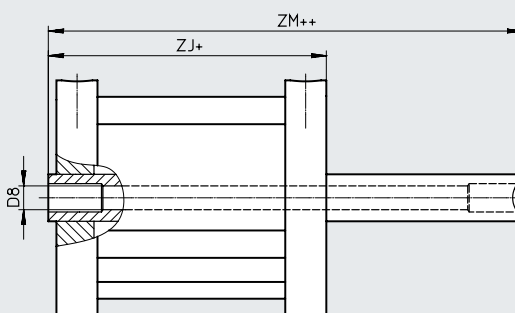
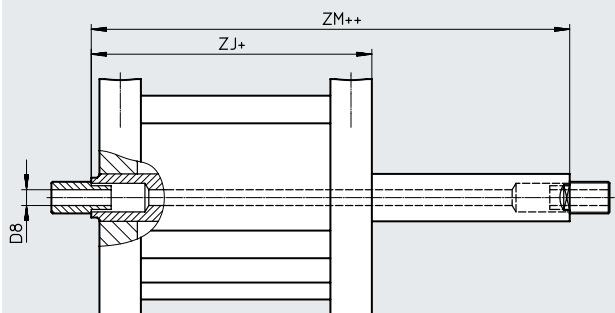
Dimensions – piston diameter 1 1/2

Download CAD data → www.festo.com

- [H] Through, hollow piston rod
- [H] [F] Through, hollow piston rod with internal thread

DPCB-...-H

DPCB-...-H-...-F



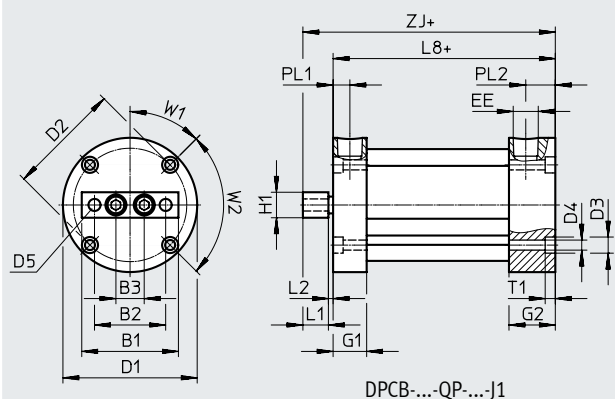
+ = plus stroke length
 ++ = plus 2x stroke length

Stroke [in]	D8 ∅		ZJ	ZM
1/8...4	0.19	[F] 0.28	1.13	1.26

Dimensions – piston diameter 1 1/2

Download CAD data → www.festo.com

- [QP] With double piston rod
- [QP] [J1] With double piston rod and one end plate with recess and through-hole



DPCB-...-QP-...-J1

Stroke [in]	B1	B2	B3	D1 ∅	D2 ∅	D3 ∅	D4 ∅	D5	D6 ∅	D7 ∅	EE
	[J1]		[J1]								
1/2...4	2	1.5	0.562	2.62	2.19	0.34	0.2	1/4-20 UNC	0.4	0.26	1/8 NPT

Stroke [in]	G1	G2	L1	L2	L8	PL1	PL2	T1	T2	W1	W2	ZJ
	[J1]											
1/2...4	0.5	0.69	0.5	0.07	1.3	0.25	0.44	0.22	0.27	45°	90°	1.88

Datasheet

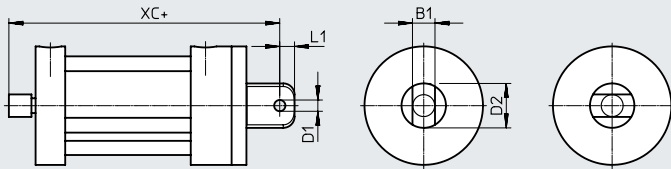
Dimensions – piston diameter 1 1/2

Download CAD data → www.festo.com

[QP] [U] With double piston rod and swiveling rod eye

[QP] [U90] With double piston rod and swiveling rod eye, rotated 90°

DPCB-...-QP-...-U DPCB-...-QP-...-U90

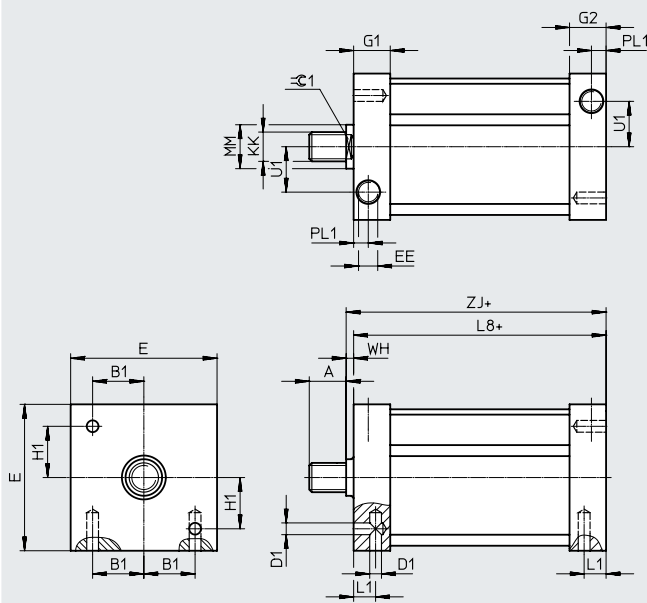


Stroke [in]	B1	D1 ∅	D2 ∅	L1	XC
1/2...4	0.75	0.38	1.38	0.44	3.07

Dimensions – piston diameter 1 1/2

Download CAD data → www.festo.com

[QX] Square cap geometry



+ = plus stroke length

Stroke [in]	A	B1	D1 ∅	E	EE	G1	G2	H1	KK
1/8...4	0.5	0.69	10-24 UNC	2	1/8 NPT	0.58	0.5	0.69	3/8-16 UNC 3/8-24 UNF

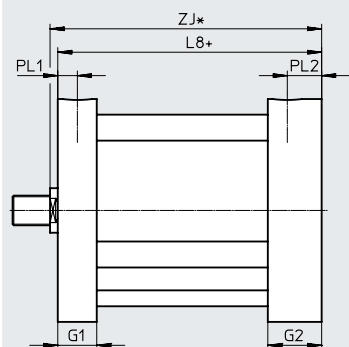
Stroke [in]	L1	L8	MM ∅	PL1	U1	WH	ZJ	⊖ 1
1/8...4	0.31	1.25	0.63	0.25	0.73	0.13	1.38	0.5

Datasheet

Dimensions – piston diameter 1 1/2

Download CAD data → www.festo.com

[V] Reinforced end cap



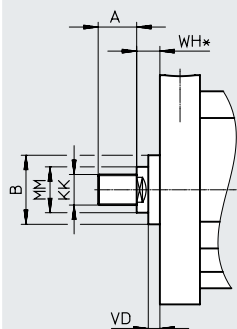
*/+ = plus stroke length

Stroke [in]	G1	G2	L8	PL1	PL2	ZJ
1/8...4	0.5	0.69	1.07	0.25	0.44	1.2

Dimensions – piston diameter 1 1/2

Download CAD data → www.festo.com

[A4] Scraper made of NBR



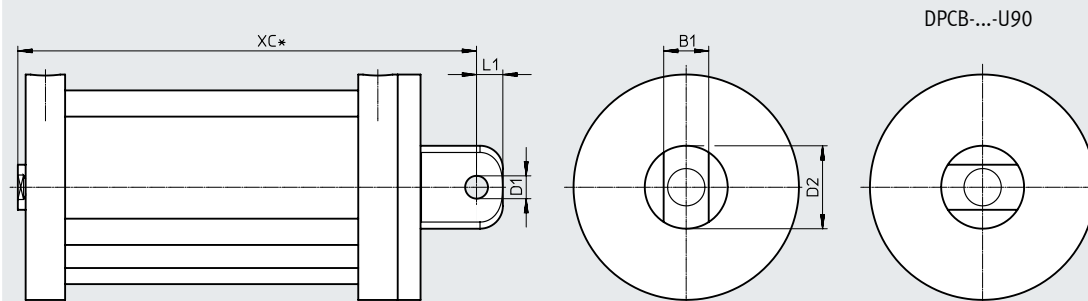
Stroke [in]	A	B	KK	MM \varnothing	WH	VD
1/8...4	0.5	1	3/8-16 UNC 3/8-24 UNF	0.63	0.38	0.19

Dimensions – piston diameter 1 1/2

Download CAD data → www.festo.com

[U] With swiveling rod eye

[U90] With swiveling rod eye, rotated 90°



+ = plus stroke length

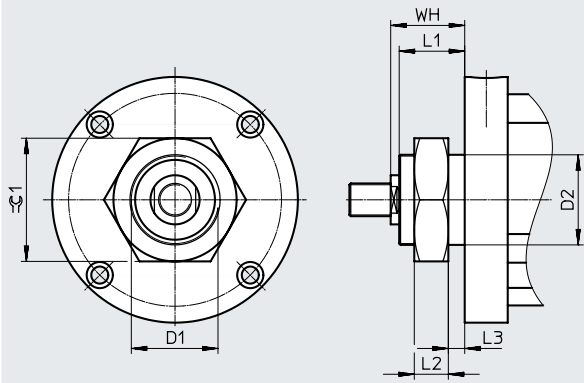
Stroke [in]	B1	D1 \varnothing	D2 \varnothing	L1	XC
1/8...4	0.75	0.38	1.38	0.44	2.2

Datasheet

Dimensions – piston diameter 1 1/2

Download CAD data → www.festo.com

[FT] Flange thread, front



Stroke [in]	D1	D2 ∅	L1	L2	L3	WH	⊖ 1
1/8...4	1 1/4-12 UNF-2A	1.25	0.75	0.52	0.13	0.88	1.88

Dimensions – piston diameter 1 1/2

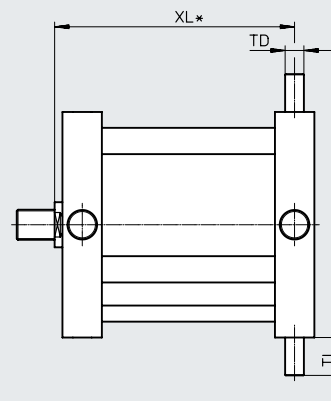
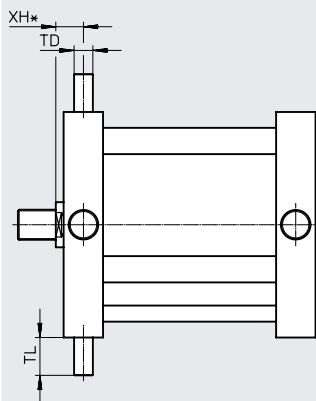
Download CAD data → www.festo.com

[Y2] Trunnion flange mounting position, front

[Y3] Trunnion flange mounting position, rear

DPCB-...-Y2

DPCB-...-Y3



XL* = plus stroke length

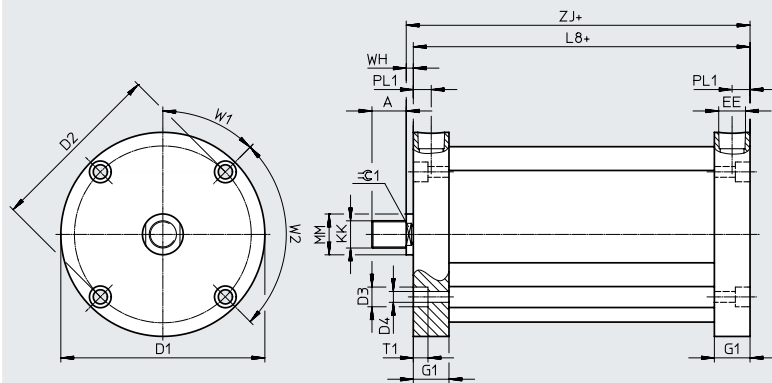
Stroke [in]	TD	TL	XH	XL
			[Y2]	[Y3]
1/8...4	0.25	0.5	0.38	0.76

Datasheet

Dimensions – piston diameter 2

Download CAD data → www.festo.com

[] External thread



+ = plus stroke length

Stroke [in]	A	D1 ∅	D2 ∅	D3 ∅	D4 ∅	EE	G1	KK	
1/8	0.63	3.12	2.69	0.34	0.2	1/8 NPT	0.53	1/2-13 UNC	1/2-20 UNF
1/4	0.63	3.12	2.69	0.34	0.2	1/8 NPT	0.53	1/2-13 UNC	1/2-20 UNF
3/8	0.63	3.12	2.69	0.34	0.2	1/8 NPT	0.53	1/2-13 UNC	1/2-20 UNF
1/2	0.63	3.12	2.69	0.34	0.2	1/8 NPT	0.53	1/2-13 UNC	1/2-20 UNF
5/8	0.63	3.12	2.69	0.34	0.2	1/8 NPT	0.53	1/2-13 UNC	1/2-20 UNF
3/4	0.63	3.12	2.69	0.34	0.2	1/8 NPT	0.53	1/2-13 UNC	1/2-20 UNF
7/8...4	0.63	3.12	2.69	0.34	0.2	1/8 NPT	0.53	1/2-13 UNC	1/2-20 UNF

Stroke [in]	L8	MM ∅	PL1	T1	W1	W2	WH	ZJ	∠ 1
1/8	0.94	0.75	0.25	0.22	45°	90°	0.13	1.07	0.63
1/4	0.94	0.75	0.25	0.22	45°	90°	0.13	1.07	0.63
3/8	0.94	0.75	0.25	0.22	45°	90°	0.13	1.07	0.63
1/2	0.94	0.75	0.25	0.22	45°	90°	0.13	1.07	0.63
5/8	0.94	0.75	0.25	0.22	45°	90°	0.13	1.07	0.63
3/4	0.94	0.75	0.25	0.22	45°	90°	0.13	1.07	0.63
7/8...4	0.94	0.75	0.25	0.22	45°	90°	0.13	1.07	0.63

Dimensions – piston diameter 2

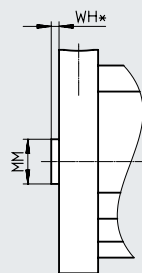
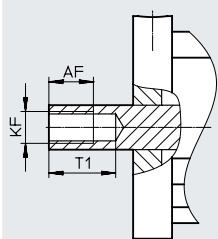
Download CAD data → www.festo.com

[F] Internal thread

[N] No thread

DPCB-...-F

DPCB-...-N



+ = plus stroke length

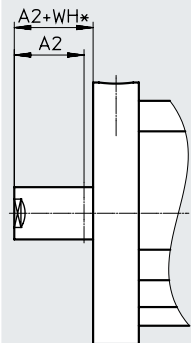
Stroke [in]	AF	KF		T1	MM ∅	WH
	[F]	[F]		[F]	[N]	[N]
1/8	0.3	1/2-13 UNC	1/2-20 UNF	0.45	0.75	0.13
1/4	0.4	1/2-13 UNC	1/2-20 UNF	0.562	0.75	0.13
3/8	0.53	1/2-13 UNC	1/2-20 UNF	1.0625	0.75	0.13
1/2	0.75	1/2-13 UNC	1/2-20 UNF	1.1875	0.75	0.13
5/8	0.75	1/2-13 UNC	1/2-20 UNF	1.3125	0.75	0.13
3/4	0.75	1/2-13 UNC	1/2-20 UNF	1	0.75	0.13
7/8...4	0.75	1/2-13 UNC	1/2-20 UNF	1.125	0.75	0.13

Datasheet

Dimensions – piston diameter 2

Download CAD data → www.festo.com

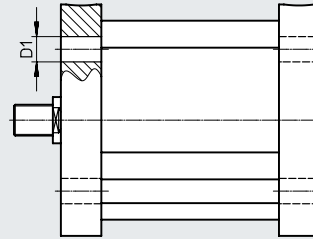
[NE] Piston rod extension



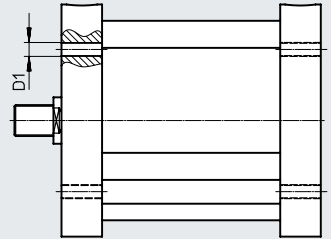
[CB] – Through-holes, at both ends

[MB] – Mounting thread, at both ends

DPCB-...-CB



DPCB-...-MB

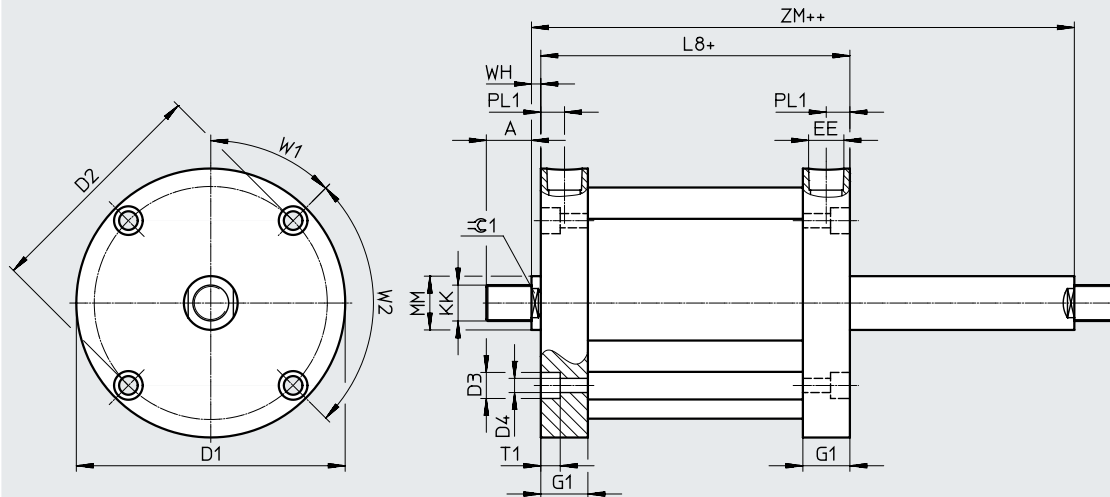


Stroke [in]	A2		WH	D1	
	min.	max.		∅ [CB]	∅ [MB]
1/8...4	0.001	6	0.13	0.34	10-24 UNC

Dimensions – piston diameter 2

Download CAD data → www.festo.com

[T] Through piston rod



+ = plus stroke length
 ++ = plus 2x stroke length

Stroke [in]	A	D1 ∅	D2 ∅	D3 ∅	D4 ∅	EE	G1	KK	
1/8...4	0.63	3.12	2.69	0.34	0.2	1/8 NPT	0.53	1/2-13 UNC	1/2-20 UNF

Stroke [in]	L8	MM ∅	PL1	T1	W1	W2	WH	ZM	∅ 1
1/8...4	1.06	0.75	0.25	0.22	45°	90°	0.13	1.32	0.63

Datasheet

Dimensions – piston diameter 2

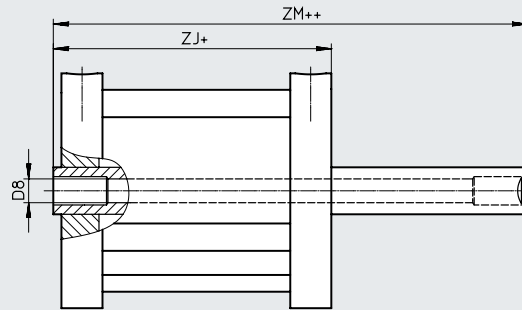
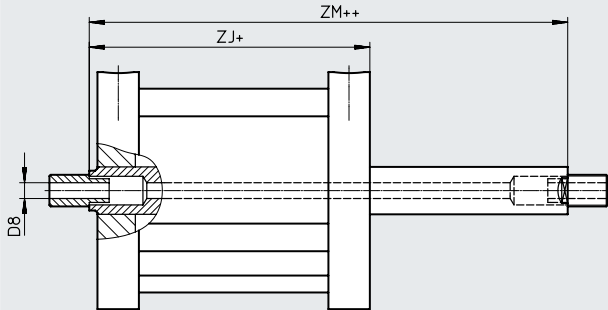
Download CAD data → www.festo.com

[H] Through, hollow piston rod

[H] [F] Through, hollow piston rod with internal thread

DPCB-...-H

DPCB-...-H-...-F



+ = plus stroke length
 ++ = plus 2x stroke length

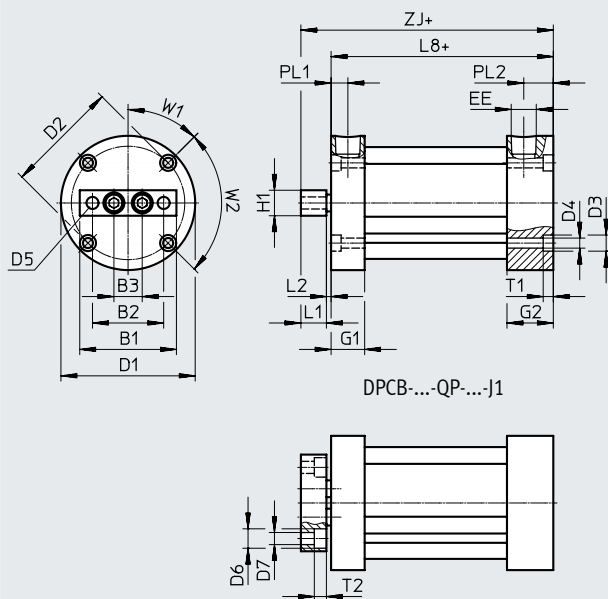
Stroke [in]	D8 ∅		ZJ	ZM
1/8...4	0.25	[F] 0.38	1.19	1.32

Dimensions – piston diameter 2

Download CAD data → www.festo.com

[QP] With double piston rod

[QP] [J1] With double piston rod and one end plate with recess and through-hole



Stroke [in]	B1	B2	B3	D1 ∅	D2 ∅	D3 ∅	D4 ∅	D5	D6 ∅	D7 ∅	EE
1/2...4	2.5	1.88	0.75	3.12	2.69	0.34	0.2	5/16-18 UNC	[J1] 0.49	[J1] 0.33	1/8 NPT

Stroke [in]	G1	G2	L1	L2	L8	PL1	PL2	T1	T2	W1	W2	ZJ
1/2...4	0.53	0.72	0.63	0.07	1.38	0.25	0.44	0.22	[J1] 0.33	45°	90°	2.08

Datasheet

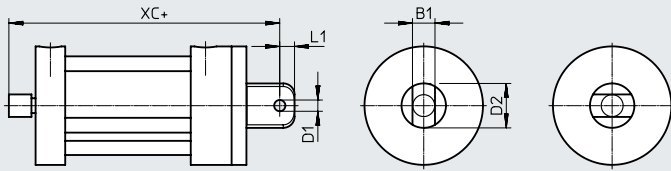
Dimensions – piston diameter 2

Download CAD data → www.festo.com

[QP] [U] With double piston rod and swiveling rod eye

[QP] [U90] With double piston rod and swiveling rod eye, rotated 90°

DPCB-...-QP-...-U DPCB-...-QP-...-U90

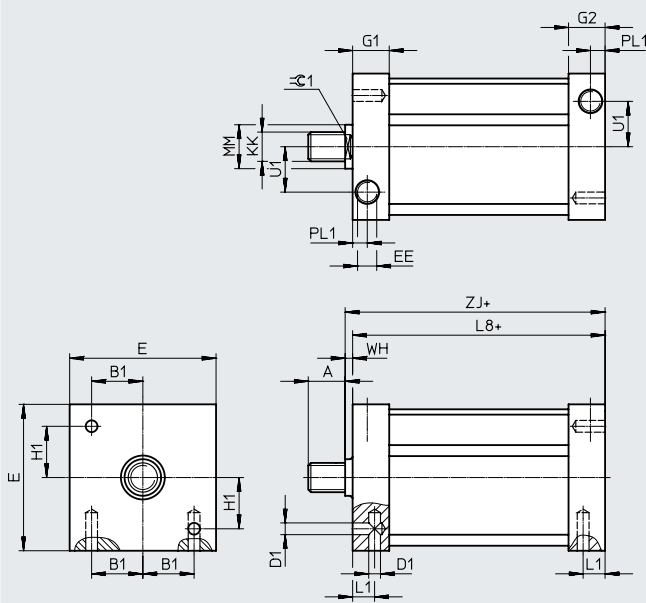


Stroke [in]	B1	D1 ∅	D2 ∅	L1	XC
1/2...4	0.75	0.38	1.38	0.44	3.33

Dimensions – piston diameter 2

Download CAD data → www.festo.com

[QX] Square cap geometry



+ = plus stroke length

Stroke [in]	A	B1	D1 ∅	E	EE	G1	G2	H1	KK	
1/8...4	0.63	0.88	1/4-20 UNC	2.5	1/8 NPT	0.63	0.63	0.88	1/2-13 UNC	1/2-20 UNF

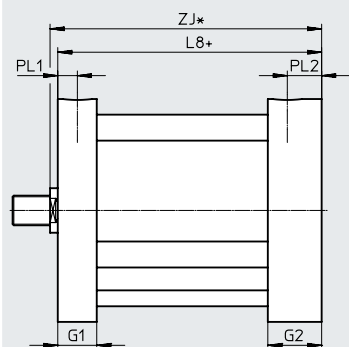
Stroke [in]	L1	L8	MM ∅	PL1	U1	WH	ZJ	⊕ 1	
1/8...4	0.38	1.31	0.75	0.25	0.77	0.13	1.44	0.63	

Datasheet

Dimensions – piston diameter 2

Download CAD data → www.festo.com

[V] Reinforced end cap



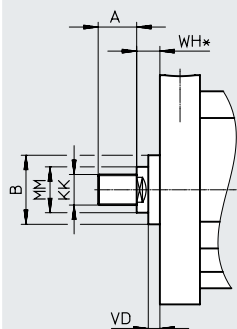
*/+ = plus stroke length

Stroke [in]	G1	G2	L8	PL1	PL2	ZJ
1/8...4	0.53	0.72	1.13	0.25	0.44	1.26

Dimensions – piston diameter 2

Download CAD data → www.festo.com

[A4] Scraper made of NBR



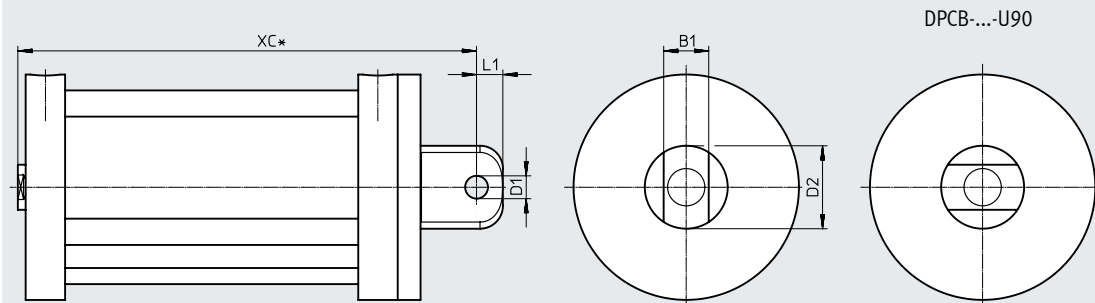
Stroke [in]	A	B	KK	MM	WH	VD
1/8...4	0.63	1.13	1/2-13 UNC 1/2-20 UNF	0.75 ø	0.38	0.19

Dimensions – piston diameter 2

Download CAD data → www.festo.com

[U] With swiveling rod eye

[U90] With swiveling rod eye, rotated 90°



+ = plus stroke length

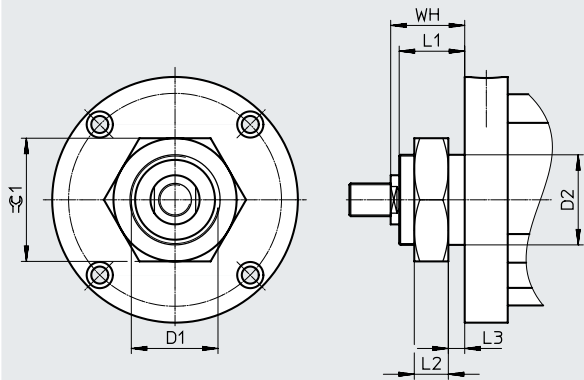
Stroke [in]	B1	D1	D2	L1	XC
1/8...4	0.75	0.38 ø	1.38 ø	0.44	2.32

Datasheet

Dimensions – piston diameter 2

Download CAD data → www.festo.com

[FT] Flange thread, front



Stroke [in]	D1	D2 ∅	L1	L2	L3	WH	⊖ 1
1/8...4	1 3/8-12 UNF-2A	1.38	0.88	0.52	0.19	1.01	1.88

Dimensions – piston diameter 2

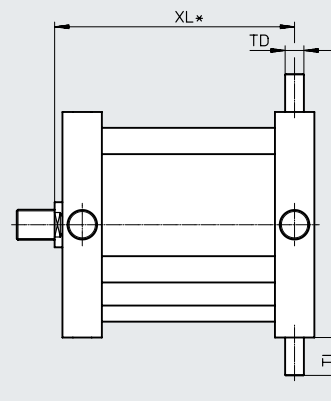
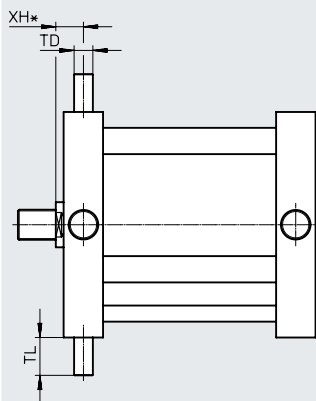
Download CAD data → www.festo.com

[Y2] Trunnion flange mounting position, front

[Y3] Trunnion flange mounting position, rear

DPCB-...-Y2

DPCB-...-Y3



XL* = plus stroke length

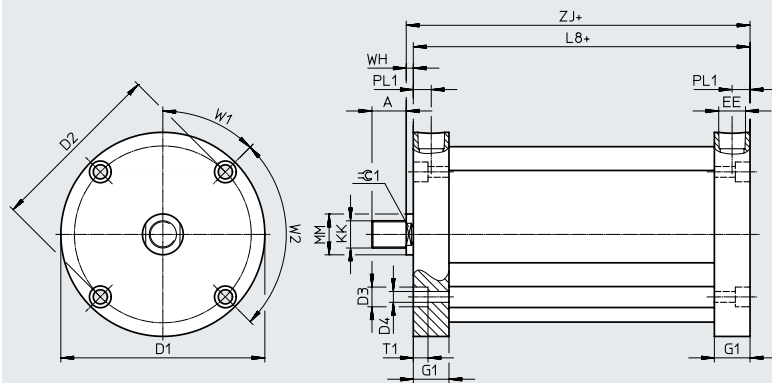
Stroke [in]	TD	TL	XH	XL
			[Y2]	[Y3]
1/8...4	0.25	0.5	0.38	0.82

Datasheet

Dimensions – piston diameter 2 1/2

Download CAD data → www.festo.com

[] External thread



+ = plus stroke length

Stroke [in]	A	D1 ∅	D2 ∅	D3 ∅	D4 ∅	EE	G1	KK	
1/8	0.63	3.75	3.25	0.4	0.26	1/4 NPT	0.66	1/2-13 UNC	1/2-20 UNF
1/4	0.63	3.75	3.25	0.4	0.26	1/4 NPT	0.66	1/2-13 UNC	1/2-20 UNF
3/8	0.63	3.75	3.25	0.4	0.26	1/4 NPT	0.66	1/2-13 UNC	1/2-20 UNF
1/2	0.63	3.75	3.25	0.4	0.26	1/4 NPT	0.66	1/2-13 UNC	1/2-20 UNF
5/8	0.63	3.75	3.25	0.4	0.26	1/4 NPT	0.66	1/2-13 UNC	1/2-20 UNF
3/4...4	0.63	3.75	3.25	0.4	0.26	1/4 NPT	0.66	1/2-13 UNC	1/2-20 UNF

Stroke [in]	L8	MM ∅	PL1	T1	W1	W2	WH	ZJ	∠ 1
1/8	1.19	0.75	0.33	0.27	45°	90°	0.13	1.32	0.63
1/4	1.19	0.75	0.33	0.27	45°	90°	0.13	1.32	0.63
3/8	1.19	0.75	0.33	0.27	45°	90°	0.13	1.32	0.63
1/2	1.19	0.75	0.33	0.27	45°	90°	0.13	1.32	0.63
5/8	1.19	0.75	0.33	0.27	45°	90°	0.13	1.32	0.63
3/4...4	1.19	0.75	0.33	0.27	45°	90°	0.13	1.32	0.63

Dimensions – piston diameter 2 1/2

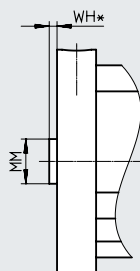
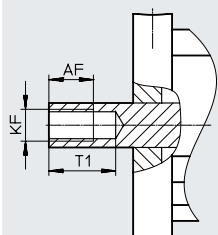
Download CAD data → www.festo.com

[F] Internal thread

[N] No thread

DPCB-...-F

DPCB-...-N



+ = plus stroke length

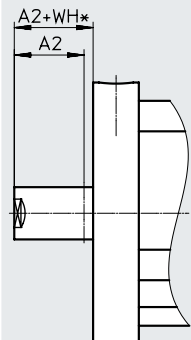
Stroke [in]	AF	KF		T1	MM ∅	WH
	[F]	[F]	[F]	[F]	[N]	[N]
1/8	0.425	1/2-13 UNC	1/2-20 UNF	0.575	0.75	0.13
1/4	0.535	1/2-13 UNC	1/2-20 UNF	1.0625	0.75	0.13
3/8	0.645	1/2-13 UNC	1/2-20 UNF	1.1875	0.75	0.13
1/2	0.75	1/2-13 UNC	1/2-20 UNF	1.3125	0.75	0.13
5/8	0.75	1/2-13 UNC	1/2-20 UNF	1	0.75	0.13
3/4...4	0.75	1/2-13 UNC	1/2-20 UNF	1.125	0.75	0.13

Datasheet

Dimensions – piston diameter 2 1/2

Download CAD data → www.festo.com

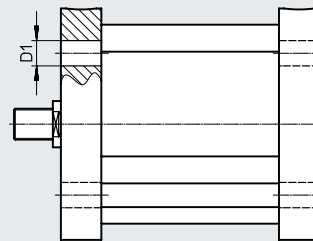
[NE] Piston rod extension



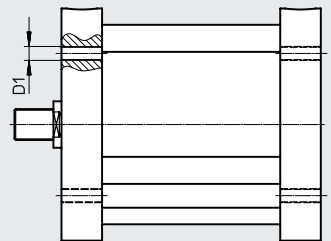
[CB] – Through-holes, at both ends

[MB] – Mounting thread, at both ends

DPCB-...-CB



DPCB-...-MB

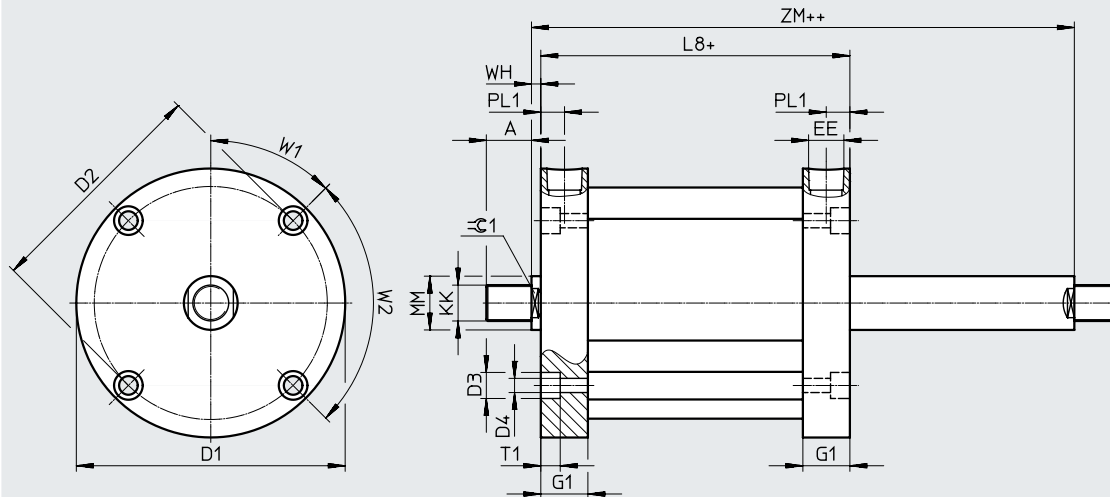


Stroke [in]	A2		WH	D1	
	min.	max.		∅ [CB]	∅ [MB]
1/8...4	0.001	6	0.13	0.41	1/4-20 UNC

Dimensions – piston diameter 2 1/2

Download CAD data → www.festo.com

[T] Through piston rod



+ = plus stroke length
 ++ = plus 2x stroke length

Stroke [in]	A	D1 ∅	D2 ∅	D3 ∅	D4 ∅	EE	G1	KK	
1/8...4	0.63	3.75	3.25	0.4	0.26	1/4 NPT	0.66	1/2-13 UNC	1/2-20 UNF

Stroke [in]	L8	MM ∅	PL1	T1	W1	W2	WH	ZM	∅ 1
1/8...4	1.31	0.75	0.33	0.27	45°	90°	0.13	1.57	0.63

Datasheet

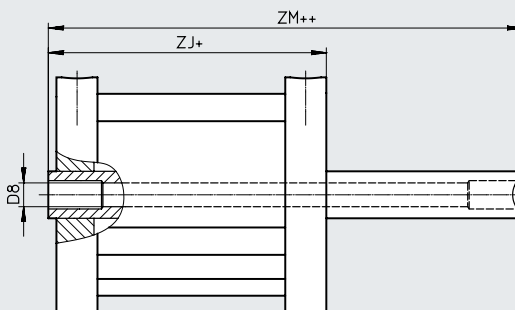
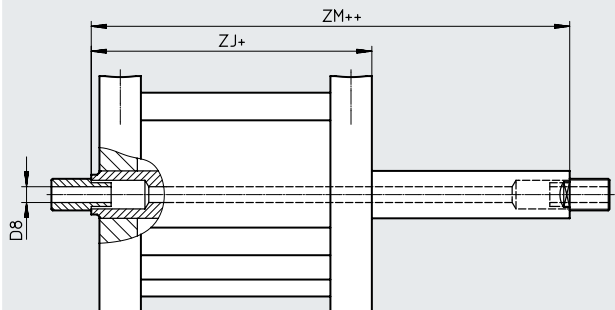
Dimensions – piston diameter 2 1/2

Download CAD data → www.festo.com

- [H] Through, hollow piston rod
- [H] [F] Through, hollow piston rod with internal thread

DPCB-...-H

DPCB-...-H-...-F



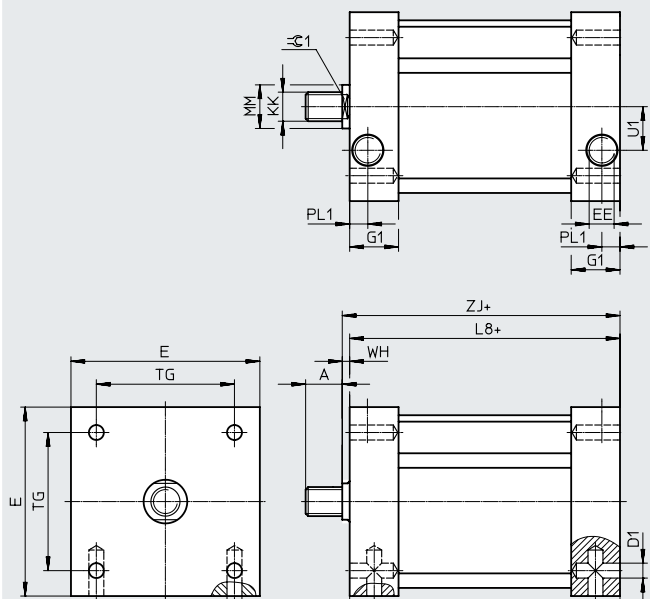
+ = plus stroke length
 ++ = plus 2x stroke length

Stroke [in]	D8 ∅	[F]	ZJ	ZM
1/8...4	0.25	0.38	1.44	1.57

Dimensions – piston diameter 2 1/2

Download CAD data → www.festo.com

- [QX] Square cap geometry



+ = plus stroke length

Stroke [in]	A	D1 ∅	E	EE	G1	KK	L1
1/8...4	0.63	5/16-18 UNC	3.25	1/4 NPT	0.84	1/2-13 UNC 1/2-20 UNF	0.42

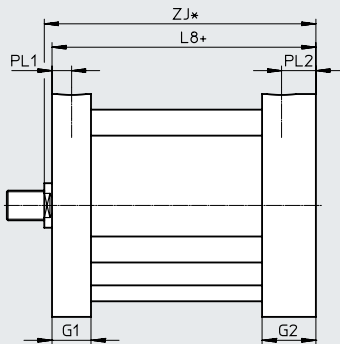
Stroke [in]	L8	MM ∅	PL1	TG	U1	WH	ZJ	∅ 1
1/8...4	1.66	0.75	0.31...4	2.36	0.75	0.13	1.79	0.63

Datasheet

Dimensions – piston diameter 2 1/2

Download CAD data → www.festo.com

[V] Reinforced end cap



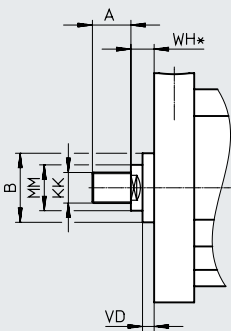
*/+ = plus stroke length

Stroke [in]	G1	G2	L8	PL1	PL2	ZJ
1/8...4	0.66	0.91	1.44	0.33	0.58	1.57

Dimensions – piston diameter 2 1/2

Download CAD data → www.festo.com

[A4] Scraper made of NBR



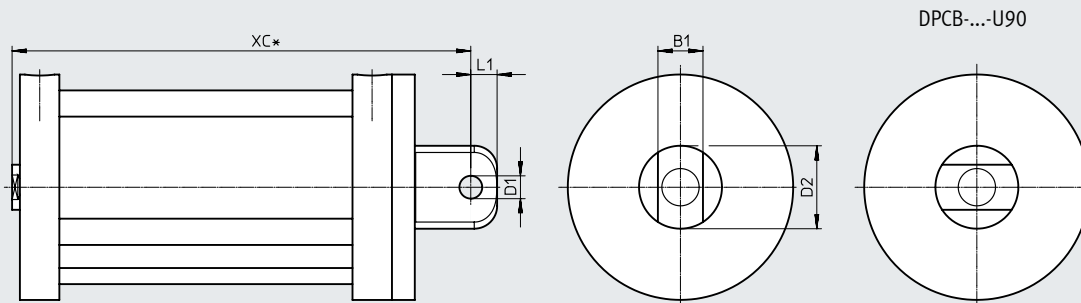
Stroke [in]	A	B	KK	MM ø	WH	VD
1/8...4	0.63	1.13	1/2-13 UNC 1/2-20 UNF	0.75	0.38	0.19

Dimensions – piston diameter 2 1/2

Download CAD data → www.festo.com

[U] With swiveling rod eye

[U90] With swiveling rod eye, rotated 90°



+ = plus stroke length

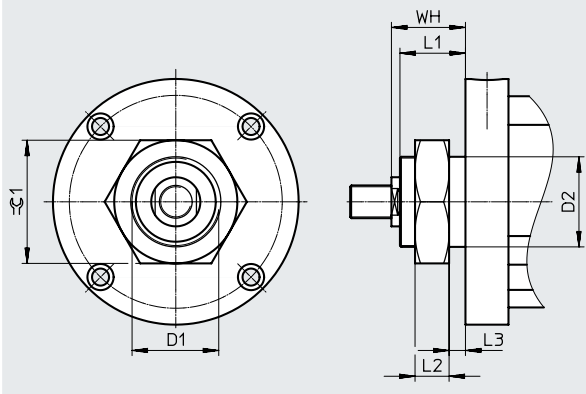
Stroke [in]	B1	D1 ø	D2 ø	L1	XC
1/8...4	0.75	0.38	1.38	0.44	2.63

Datasheet

Dimensions – piston diameter 2 1/2

Download CAD data → www.festo.com

[FT] Flange thread, front



Stroke [in]	D1	D2 ∅	L1	L2	L3	WH	⊖ 1
1/8...4	1 3/8-12 UNF-2A	1.38	1	0.52	0.25	1.13	1.88

Dimensions – piston diameter 2 1/2

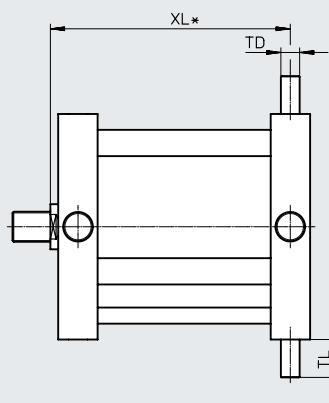
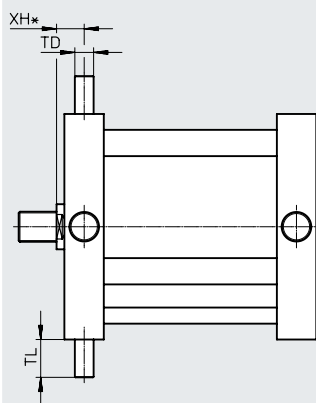
Download CAD data → www.festo.com

[Y2] Trunnion flange mounting position, front

[Y3] Trunnion flange mounting position, rear

DPCB-...-Y2

DPCB-...-Y3



XL* = plus stroke length

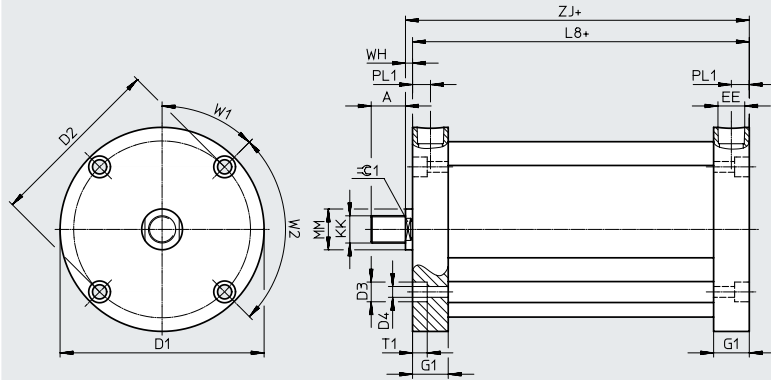
Stroke [in]	TD	TL	XH	XL
			[Y2]	[Y3]
1/8...4	0.312	0.63	0.46	0.99

Datasheet

Dimensions – piston diameter 3

Download CAD data → www.festo.com

[] External thread



+ = plus stroke length

Stroke [in]	A	D1 ∅	D2 ∅	D3 ∅	D4 ∅	EE	G1	KK	
1/8	0.75	4.25	3.78	0.4	0.26	1/4 NPT	0.69	5/8-11 UNC	5/8-18 UNF
1/4	0.75	4.25	3.78	0.4	0.26	1/4 NPT	0.69	5/8-11 UNC	5/8-18 UNF
3/8	0.75	4.25	3.78	0.4	0.26	1/4 NPT	0.69	5/8-11 UNC	5/8-18 UNF
1/2	0.75	4.25	3.78	0.4	0.26	1/4 NPT	0.69	5/8-11 UNC	5/8-18 UNF
5/8	0.75	4.25	3.78	0.4	0.26	1/4 NPT	0.69	5/8-11 UNC	5/8-18 UNF
3/4	0.75	4.25	3.78	0.4	0.26	1/4 NPT	0.69	5/8-11 UNC	5/8-18 UNF
7/8...4	0.75	4.25	3.78	0.4	0.26	1/4 NPT	0.69	5/8-11 UNC	5/8-18 UNF

Stroke [in]	L8	MM ∅	PL1	T1	W1	W2	WH	ZJ	∠ 1
1/8	1.25	0.88	0.33	0.27	45°	90°	0.13	1.38	0.75
1/4	1.25	0.88	0.33	0.27	45°	90°	0.13	1.38	0.75
3/8	1.25	0.88	0.33	0.27	45°	90°	0.13	1.38	0.75
1/2	1.25	0.88	0.33	0.27	45°	90°	0.13	1.38	0.75
5/8	1.25	0.88	0.33	0.27	45°	90°	0.13	1.38	0.75
3/4	1.25	0.88	0.33	0.27	45°	90°	0.13	1.38	0.75
7/8...4	1.25	0.88	0.33	0.27	45°	90°	0.13	1.38	0.75

Dimensions – piston diameter 3

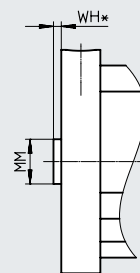
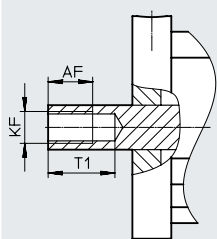
Download CAD data → www.festo.com

[F] Internal thread

[N] No thread

DPCB-...-F

DPCB-...-N



+ = plus stroke length

Stroke [in]	AF	KF		T1	MM ∅	WH
	[F]	[F]	[F]	[F]	[N]	[N]
1/8	0.45	5/8-11 UNC	5/8-18 UNF	0.6	0.88	0.13
1/4	0.5	5/8-11 UNC	5/8-18 UNF	0.725	0.88	0.13
3/8	0.625	5/8-11 UNC	5/8-18 UNF	0.85	0.88	0.13
1/2	0.75	5/8-11 UNC	5/8-18 UNF	0.975	0.88	0.13
5/8	0.8125	5/8-11 UNC	5/8-18 UNF	1.1	0.88	0.13
3/4	0.8125	5/8-11 UNC	5/8-18 UNF	1.225	0.88	0.13
7/8...4	0.8125	5/8-11 UNC	5/8-18 UNF	1.25	0.88	0.13

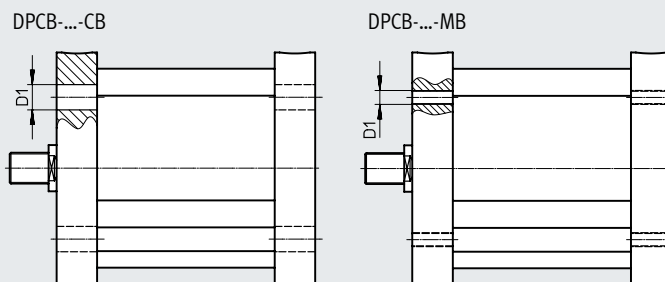
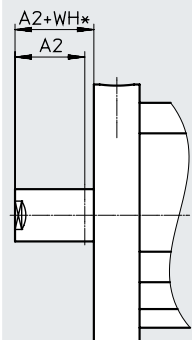
Datasheet

Dimensions – piston diameter 3

Download CAD data → www.festo.com

[NE] Piston rod extension

[CB] – Through-holes, at both ends
 [MB] – Mounting thread, at both ends

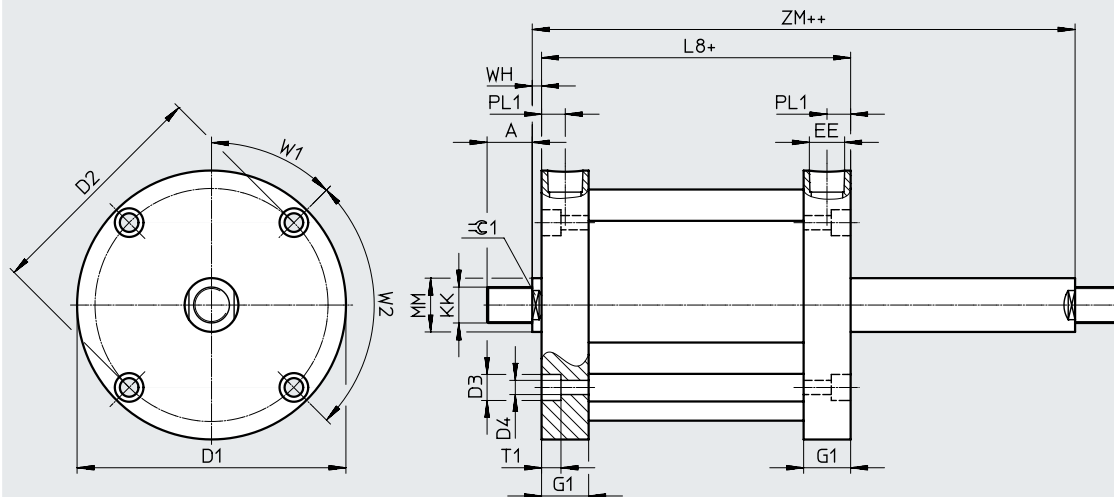


Stroke [in]	A2		WH	D1	
	min.	max.		∅ [CB]	∅ [MB]
1/8...4	0.001	6	0.13	0.41	1/4-20 UNC

Dimensions – piston diameter 3

Download CAD data → www.festo.com

[T] Through piston rod



+ = plus stroke length
 ++ = plus 2x stroke length

Stroke [in]	A	D1 ∅	D2 ∅	D3 ∅	D4 ∅	EE	G1	KK	
1/8...4	0.75	4.25	3.78	0.4	0.26	1/4 NPT	0.69	5/8-11 UNC	5/8-18 UNF

Stroke [in]	L8	MM ∅	PL1	T1	W1	W2	WH	ZM	∠ 1
1/8...4	1.38	0.88	0.33	0.27	45°	90°	0.13	1.64	0.75

Datasheet

Dimensions – piston diameter 3

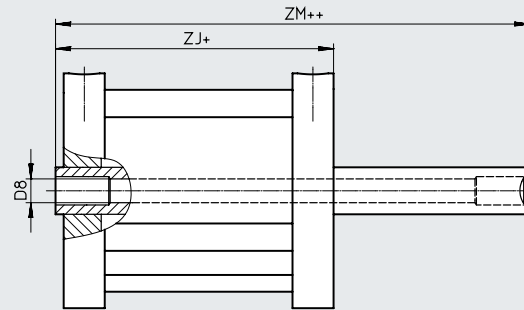
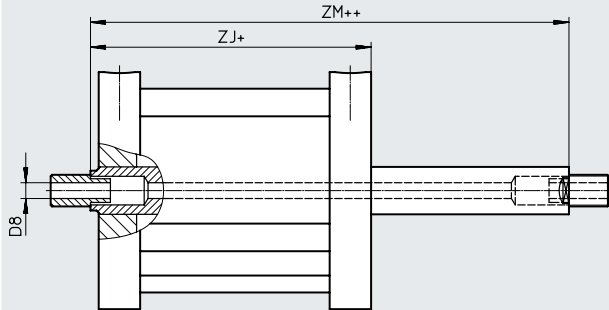
Download CAD data → www.festo.com

[H] Through, hollow piston rod

[H] [F] Through, hollow piston rod with internal thread

DPCB-...-H

DPCB-...-H-...-F



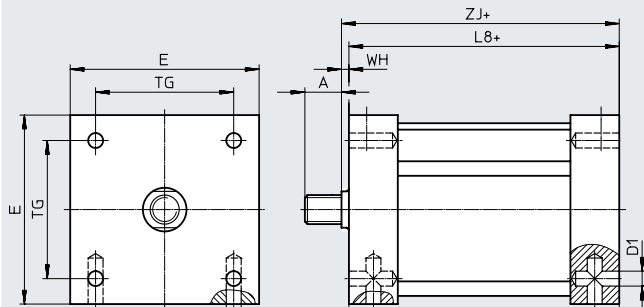
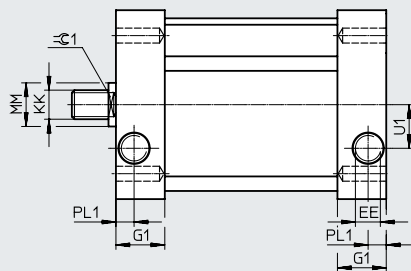
+ = plus stroke length
++ = plus 2x stroke length

Stroke [in]	D8 ∅		ZJ	ZM
1/8...4	0.31	[F] 0.44	1.51	1.64

Dimensions – piston diameter 3

Download CAD data → www.festo.com

[QX] Square cap geometry



+ = plus stroke length

Stroke [in]	A	D1 ∅	E	EE	G1	KK	L1
1/8...4	0.75	5/16-18 UNC	3.75	1/4 NPT	0.88	5/8-11 UNC 5/8-18 UNF	0.44

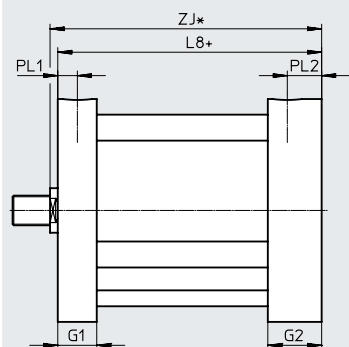
Stroke [in]	L8	MM ∅	PL1	TG	U1	WH	ZJ	⊕ 1
1/8...4	1.71	0.88	0.31...4	2.88	0.88	0.13	1.84	0.75

Datasheet

Dimensions – piston diameter 3

Download CAD data → www.festo.com

[V] Reinforced end cap



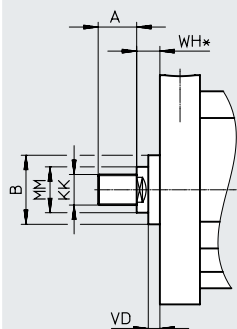
*/+ = plus stroke length

Stroke [in]	G1	G2	L8	PL1	PL2	ZJ
1/8...4	0.69	0.94	1.5	0.33	0.58	1.63

Dimensions – piston diameter 3

Download CAD data → www.festo.com

[A4] Scraper made of NBR



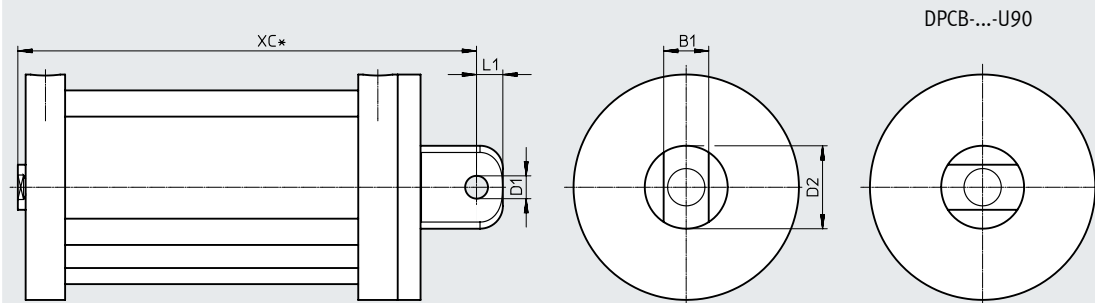
Stroke [in]	A	B	KK	MM	WH	VD
1/8...4	0.75	1.25	5/8-11 UNC 5/8-18 UNF	0.88 ∅	0.38	0.19

Dimensions – piston diameter 3

Download CAD data → www.festo.com

[U] With swiveling rod eye

[U90] With swiveling rod eye, rotated 90°



+ = plus stroke length

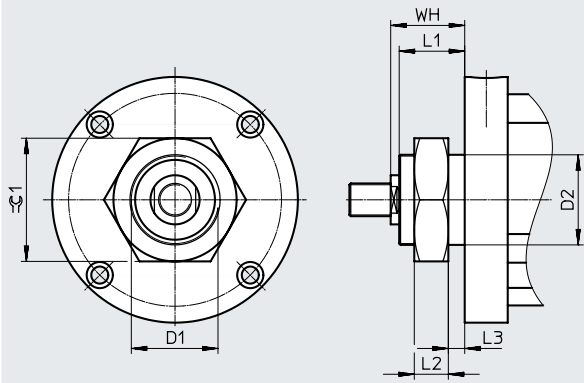
Stroke [in]	B1	D1	D2	L1	XC
1/8...4	1	0.63 ∅	1.88 ∅	0.56	3.07

Datasheet

Dimensions – piston diameter 3

Download CAD data → www.festo.com

[FT] Flange thread, front



Stroke [in]	D1	D2 ∅	L1	L2	L3	WH	⊖ 1
1/8...4	1 3/8-12 UNF-2A	1.38	1	0.52	0.25	1.13	1.88

Dimensions – piston diameter 3

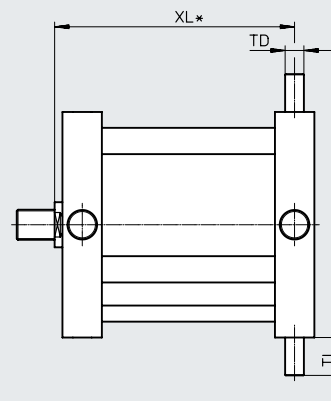
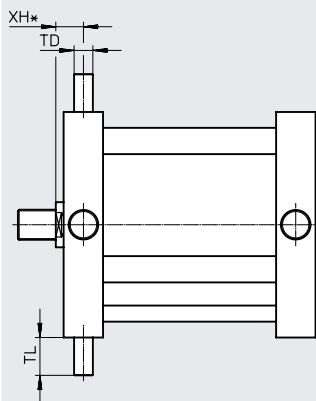
Download CAD data → www.festo.com

[Y2] Trunnion flange mounting position, front

[Y3] Trunnion flange mounting position, rear

DPCB-...-Y2

DPCB-...-Y3



XL* = plus stroke length

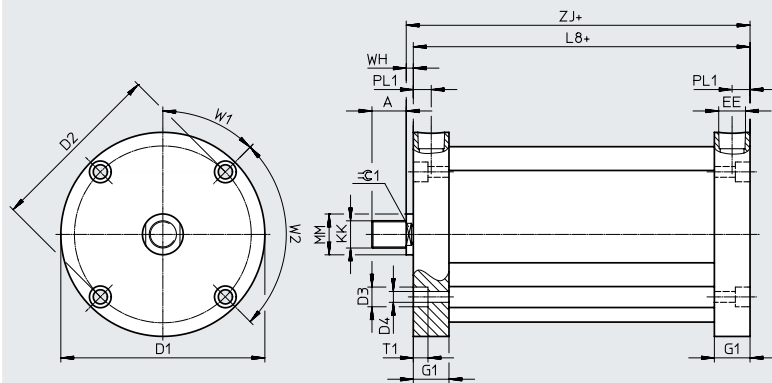
Stroke [in]	TD	TL	XH	XL
			[Y2]	[Y3]
1/8...4	0.312	0.63	0.46	1.05

Datasheet

Dimensions – piston diameter 4

Download CAD data → www.festo.com

[] External thread



+ = plus stroke length

Stroke [in]	A	D1 ∅	D2 ∅	D3 ∅	D4 ∅	EE	G1	KK	
1/8	0.75	5.5	4.94	0.49	0.33	3/8 NPT	0.84	3/4-10 UNC	3/4-16 UNF
1/4	0.75	5.5	4.94	0.49	0.33	3/8 NPT	0.84	3/4-10 UNC	3/4-16 UNF
3/8	0.75	5.5	4.94	0.49	0.33	3/8 NPT	0.84	3/4-10 UNC	3/4-16 UNF
1/2	0.75	5.5	4.94	0.49	0.33	3/8 NPT	0.84	3/4-10 UNC	3/4-16 UNF
5/8	0.75	5.5	4.94	0.49	0.33	3/8 NPT	0.84	3/4-10 UNC	3/4-16 UNF
3/4	0.75	5.5	4.94	0.49	0.33	3/8 NPT	0.84	3/4-10 UNC	3/4-16 UNF
7/8	0.75	5.5	4.94	0.49	0.33	3/8 NPT	0.84	3/4-10 UNC	3/4-16 UNF
1...4	0.75	5.5	4.94	0.49	0.33	3/8 NPT	0.84	3/4-10 UNC	3/4-16 UNF

Stroke [in]	L8	MM ∅	PL1	T1	W1	W2	WH	ZJ	≈ 1
1/8	1.56	1	0.42	0.33	45°	90°	0.13	1.69	0.88
1/4	1.56	1	0.42	0.33	45°	90°	0.13	1.69	0.88
3/8	1.56	1	0.42	0.33	45°	90°	0.13	1.69	0.88
1/2	1.56	1	0.42	0.33	45°	90°	0.13	1.69	0.88
5/8	1.56	1	0.42	0.33	45°	90°	0.13	1.69	0.88
3/4	1.56	1	0.42	0.33	45°	90°	0.13	1.69	0.88
7/8	1.56	1	0.42	0.33	45°	90°	0.13	1.69	0.88
1...4	1.56	1	0.42	0.33	45°	90°	0.13	1.69	0.88

Datasheet

Dimensions – piston diameter 4

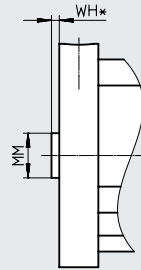
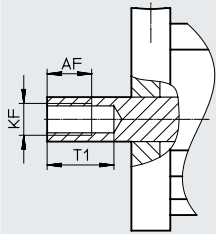
Download CAD data → www.festo.com

[F] Internal thread

[N] No thread

DPCB-...-F

DPCB-...-N



+ = plus stroke length

Stroke [in]	AF	KF		T1	MM ∅	WH
	[F]	[F]		[F]	[N]	[N]
1/8	0.4	3/4-10 UNC	3/4-16 UNF	0.54	1	0.13
1/4	0.45	3/4-10 UNC	3/4-16 UNF	0.625	1	0.13
3/8	0.575	3/4-10 UNC	3/4-16 UNF	0.75	1	0.13
1/2	0.7	3/4-10 UNC	3/4-16 UNF	0.875	1	0.13
5/8	0.825	3/4-10 UNC	3/4-16 UNF	1	1	0.13
3/4	0.875	3/4-10 UNC	3/4-16 UNF	1.125	1	0.13
7/8	0.875	3/4-10 UNC	3/4-16 UNF	1.25	1	0.13
1...4	0.875	3/4-10 UNC	3/4-16 UNF	1.375	1	0.13

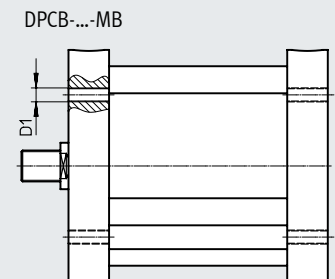
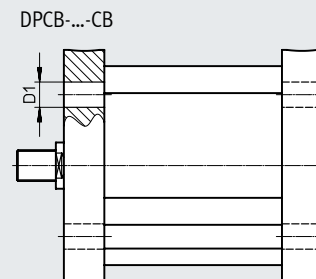
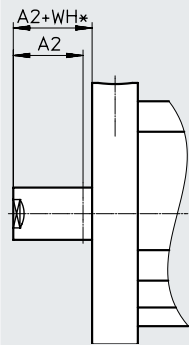
Dimensions – piston diameter 4

Download CAD data → www.festo.com

[NE] Piston rod extension

[CB] – Through-holes, at both ends

[MB] – Mounting thread, at both ends



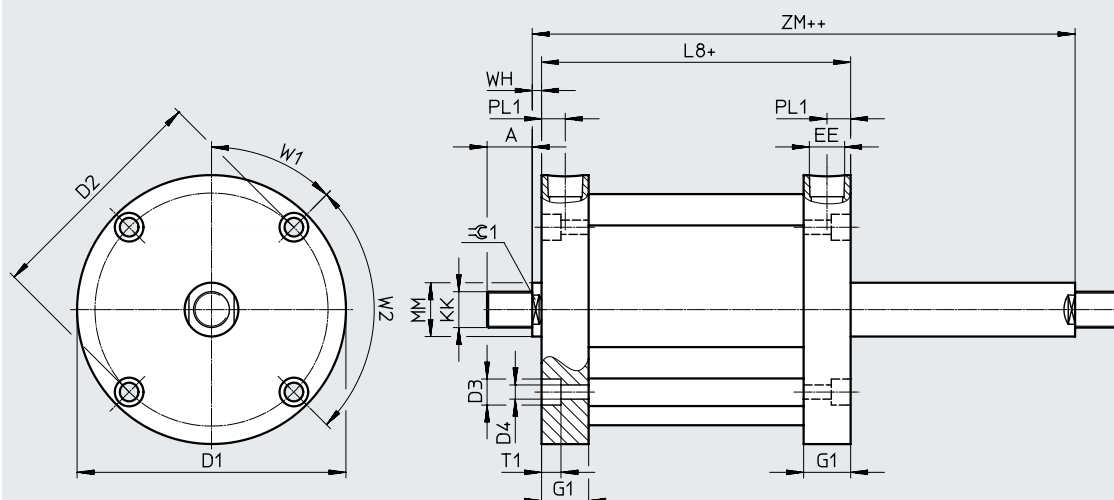
Stroke [in]	A2		WH	D1 ∅	D1 ∅
	min.	max.		[CB]	[MB]
1/8...4	0.001	6	0.13	0.5	5/16-18 UNC

Datasheet

Dimensions – piston diameter 4

Download CAD data → www.festo.com

[T] Through piston rod



+ = plus stroke length
 ++ = plus 2x stroke length

Stroke [in]	A	D1 ∅	D2 ∅	D3 ∅	D4 ∅	EE	G1	KK
1/8...4	0.75	5.5	4.94	0.49	0.33	3/8 NPT	0.84	3/4-10 UNC 3/4-16 UNF

Stroke [in]	L8	MM ∅	PL1	T1	W1	W2	WH	ZM	⊕ 1
1/8...4	1.69	1	0.42	0.33	45°	90°	0.13	1.95	0.88

Dimensions – piston diameter 4

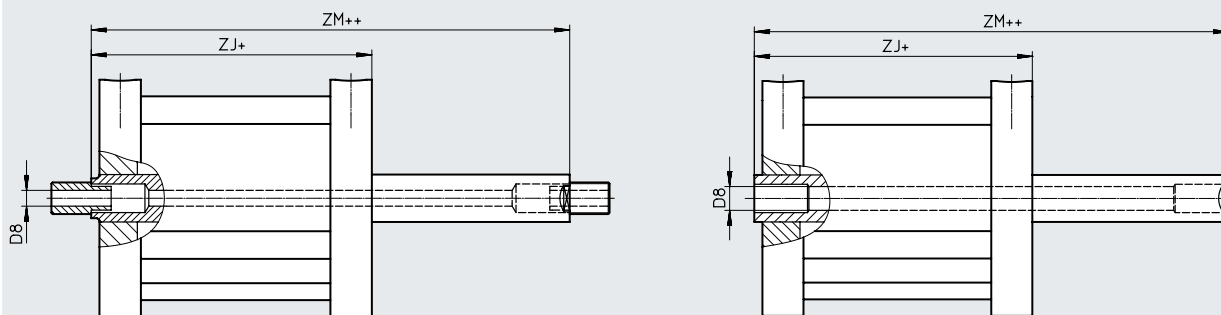
Download CAD data → www.festo.com

[H] Through, hollow piston rod

[H] [F] Through, hollow piston rod with internal thread

DPCB-...-H

DPCB-...-H-...-F



+ = plus stroke length
 ++ = plus 2x stroke length

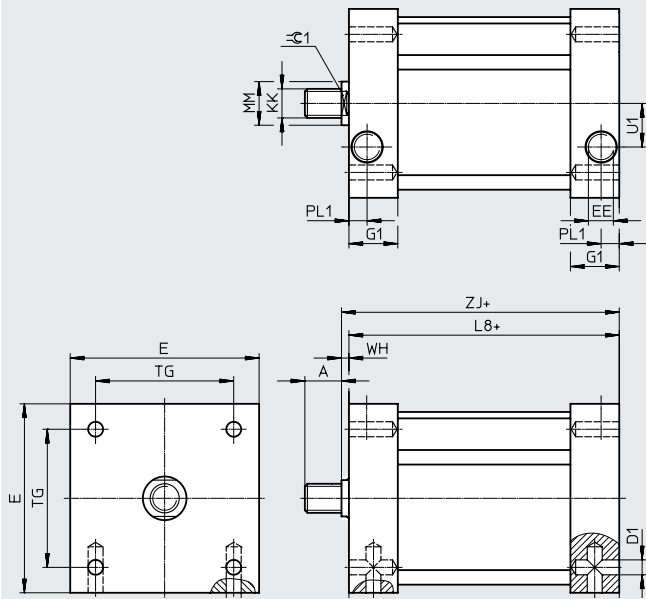
Stroke [in]	D8 ∅	ZJ	ZM	
1/8...4	0.38	0.5 [F]	1.82	1.95

Datasheet

Dimensions – piston diameter 4

Download CAD data → www.festo.com

[QX] Square cap geometry



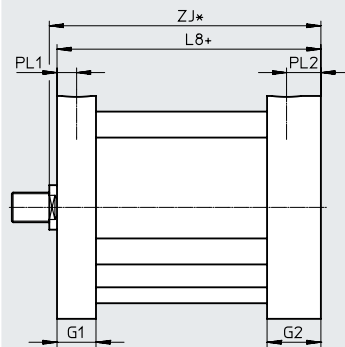
+ = plus stroke length

Stroke [in]	A	D1 ∅	E	EE	G1	KK	L1	
1/8...4	0.75	7/16-14 UNC	5	3/8 NPT	1	3/4-10 UNC 3/4-16 UNF	0.5	
Stroke [in]	L8	MM ∅	PL1	TG	U1	WH	ZJ	⊖ 1
1/8...4	2	1	0.44	3.62	1.25	0.13	2.13	0.88

Dimensions – piston diameter 4

Download CAD data → www.festo.com

[V] – Reinforced end cap



*/+ = plus stroke length

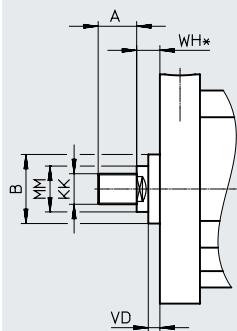
Stroke [in]	G1	G2	L8	PL1	PL2	ZJ
1/8...4	0.84	1.22	1.94	0.42	0.8	2.07

Datasheet

Dimensions – piston diameter 4

Download CAD data → www.festo.com

[A4] Scraper made of NBR



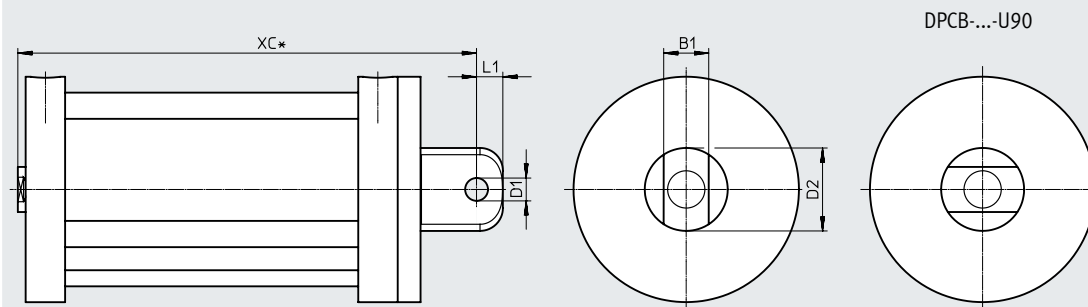
Stroke [in]	A	B	KK		MM Ø	WH	VD
1/8...4	0.75	1.38	3/4-10 UNC	3/4-16 UNF	1	0.38	0.19

Dimensions – piston diameter 4

Download CAD data → www.festo.com

[U] With swiveling rod eye

[U90] With swiveling rod eye, rotated 90°



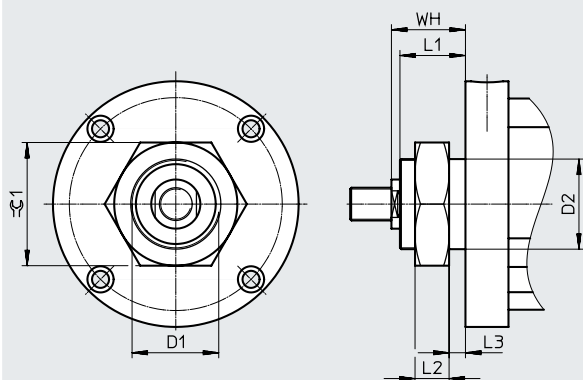
+ = plus stroke length

Stroke [in]	B1	D1 Ø	D2 Ø	L1	XC
1/8...4	1	0.63	1.88	0.56	3.44

Dimensions – piston diameter 4

Download CAD data → www.festo.com

[FT] Flange thread, front



Stroke [in]	D1	D2 Ø	L1	L2	L3	WH	$\varnothing 1$
1/8...4	1 3/4-12 UNF-2A	1.75	1.12	0.88	0.19	1.25	2.62

Datasheet

Dimensions – piston diameter 4

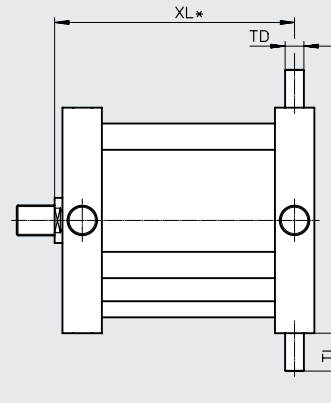
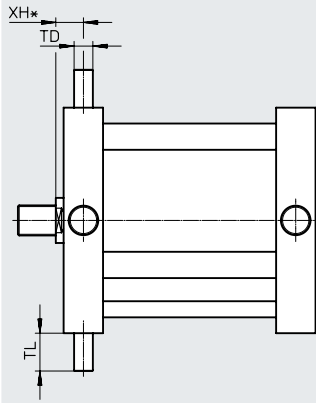
Download CAD data → www.festo.com

[Y2] Trunnion flange mounting position, front

[Y3] Trunnion flange mounting position, rear

DPCB-...-Y2

DPCB-...-Y3



XL* = plus stroke length

Stroke [in]	TD	TL	XH	XL
			[Y2]	[Y3]
1/8...4	0.375	0.75	0.55	1.27

Ordering data – Modular product system

Ordering table											
Piston diameter	1/2	3/4	1 1/16	1 1/2	2	2 1/2	3	4	Conditions	Code	Enter code
Module no.	8104879	8104880	8104881	8104882	8104883	8104884	8104885	8104886			
Function	Compact cylinder, double-acting									DPCB	DPCB
System of units	Inch										
Anti-twist protection	Without										
	-	With double piston rod					-	-	-	[1]	-QP
Running characteristics	Standard										
	Low friction									[2]	L
Piston diameter	1/2"	3/4"	1 1/16"	1 1/2"	2"	2 1/2"	3"	4"		-..."	
Stroke											
1/8"	1)	1)2)	1)	1)	1)	1)	1)	1)		-1/8"	
1/4"	1)	1)2)	1)	1)	1)	1)	1)	1)		-1/4"	
3/8"	3)	2)								-3/8"	
1/2"	3)	2)								-1/2"	
5/8"	3)	2)								-5/8"	
3/4"	3)	2)								-3/4"	
7/8"	3)	2)								-7/8"	
1"	3)	2)								-1"	
1 1/8"	3)	2)								-1 1/8"	
1 1/4"	3)	2)								-1 1/4"	
1 3/8"										-1 1/8"	
1 1/2"										-1 1/2"	
1 5/8"										-1 1/8"	
1 3/4"										-1 3/4"	
1 7/8"										-1 7/8"	
2"										-2"	
2 1/8"										-2 1/8"	
2 1/4"										-2 1/4"	
2 3/8"										-2 3/8"	
2 1/2"										-2 1/2"	
2 5/8"										-2 5/8"	
2 3/4"										-2 3/4"	
2 7/8"										-2 7/8"	
3"										-3"	
3 1/8"										-3 1/8"	
3 1/4"										-3 1/4"	
3 3/8"										-3 3/8"	
3 1/2"										-3 1/2"	
3 5/8"										-3 5/8"	
3 3/4"										-3 3/4"	
3 7/8"										-3 7/8"	
4"										-4"	

[1] QP

Not with external thread, F, N

Not with piston diameter 1/2, 2 1/2, 3, 4

Mandatory entry in conjunction with piston rod design: one end plate, J1, J90, J91

[2] L, H, T, V, FT, P2, P3, A4, U10, U12, U34, U38, U58, U8C, U10C, U12C, U34C, U38C, U516, U58C, U516C

Not with QP

1) Not with A

2) Not with R270

3) Not with R90

Ordering data – Modular product system

Ordering table		1/2	3/4	1 1/16	1 1/2	2	2 1/2	3	4	Conditions	Code	Enter code		
Function	Double-acting													
Piston rod type	At one end													
	Through, hollow piston rod											[2]	H	
	Through piston rod											[2]	T	
Piston rod design	One end plate													
	One end plate with recess and through-hole												J1	
	One end plate, rotated 90°											[6]	J90	
	One end plate with recess and through-hole, rotated 90°											[6]	J91	
Piston rod thread type	External thread											[5]		
	Internal thread											[5]	F	
	No thread											[5]	N	
Supply port	Lateral													
	– Rotated through 90°											[3] [10]	P90	
	Rotated through 180°											[10]	P180	
	– Rotated through 270°											[3] [10]	P270	
Cap geometry	Round													
	– Square											[3]	QX	
End cap	Standard													
	Reinforced											[2] [4] [13]	V	
Type of mounting	Standard													
	With swiveling rod eye											[4]	U	
	Through-holes, at both ends											[10]	CB	
	Through-holes, front											[10]	CF	
	Through-holes, rear											[10]	CR	
	Flange thread, front											[2] [10]	FT	
	Mounting thread, at both ends											[10]	MB	
	Mounting thread, front											[10]	MF	
	Mounting thread, rear											[10]	MR	
	– Trunnion flange mounting position, front											[3] [10]	Y2	
	– Rear trunnion mounting position											[3] [10]	Y3	
	With swiveling rod eye, rotated 90°											[4]	U90	
Cushioning	No cushioning												-N	
	Flexible cushioning rings/pads at both ends											[2]	-P	
	Flexible cushioning rings/pads at front											[2]	-P2	
	Flexible cushioning rings/pads at rear											[2]	-P3	
Position sensing	Without													
	For proximity switch												A	
Temperature range	Standard													
	-40 ... + 176 °F												-T3	
Scraper variant	None													
	Increased chemical resistance												-A1	
	Scraper made of NBR											[2] [13]	-A4	
Piston rod extension	0.001...6"												-...NE	

[2] L, H, T, V, FT, P2, P3, A4, U10, U12, U34, U38, U58, U8C, U10C, U12C, U34C, U38C, U516, U58C, U516C
Not with QP

[3] P90, P270, QX, Y2, Y3, R270
Not with piston diameter 1/2

[4] V, U, U90
Not with H, T

[5] F, N
Not with piston rod design: one end plate, J1, J90, J91

[6] J90, J91
Not with Y2

[10] P90, P180, P270, V, CB, CF, CR, FT, MB, MF, MR, Y2, Y3, R180
Not with QX

[13] V, A4
Not with FT

Ordering data – Modular product system

Ordering table												
Piston diameter	1/2	3/4	1 1/16	1 1/2	2	2 1/2	3	4	Conditions	Code	Enter code	
Piston rod thread	Without											
	-	10-32 UNF-2A	-	-	-	-	-	-	[2]	-U10		
	-	-	-	-	1/2-20 UNF-2A	1/2-20 UNF-2A	-	-	[2]	-U12		
	-	-	-	-	-	-	-	3/4-16 UNF-2A	[2]	-U34		
	-	-	-	3/8-24 UNF-2A	-	-	-	-	[2]	-U38		
	-	-	-	-	-	-	5/8-18 UNF-2A	-	[2]	-U58		
	8-32 UNC	-	-	-	-	-	-	-	[2]	-U8C		
	-	10-24 UNC	-	-	-	-	-	-	[2]	-U10C		
	-	-	-	-	1/2-13 UNC	1/2-13 UNC	-	-	[2]	-U12C		
	-	-	-	-	-	-	-	3/4-10 UNC	[2]	-U34C		
	-	-	-	3/8-16 UNC	-	-	-	-	[2]	-U38C		
	-	-	5/16-24 UNF-2A	-	-	-	-	-	[2]	-U516		
	-	-	-	-	-	-	5/8-11 UNC	-	[2]	-U58C		
-	-	5/16-18 UNC	-	-	-	-	-	[2]	-U516C			
Sensor mounting, external	Without											
	Mounting rail for sensors									[11]	-R	
	Mounting rail for sensors, rotated 90°									[11]	-R90	
	Mounting rail for sensors, rotated 180°									[10] [11]	-R180	
	-	Mounting rail for sensors, rotated 270°									[3] [11]	-R270

[2] L, H, T, V, FT, P2, P3, A4, U10, U12, U34, U38, U58, U8C, U10C, U12C, U34C, U38C, U516, U58C, U516C
Not with QP

[3] P90, P270, QX, Y2, Y3, R270
Not with piston diameter 1/2

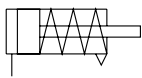
[10] P90, P180, P270, V, CB, CF, CR, FT, MB, MF, MR, Y2, Y3, R180
Not with QX

[11] R, R90, R180, R270
Only with A

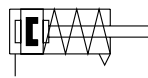
Datasheet

Function

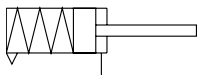
DPCB-...-S



DPCB-...-S-...-A



DPCB-...-P



DPCB-...-P-...-A



- - Diameter
1/2 ... 4 inch
- - Stroke length
1/8 ... 4 inch

General technical data		1/2	3/4	1 1/16	1 1/2	2	2 1/2	3	4
Piston diameter									
Design	Piston								
	Piston rod								
	Cylinder barrel								
Mode of operation	Single-acting, pushing (piston rod retracted by spring force)								-
	Single-acting, pulling (piston rod advanced by spring force)								
Pneumatic connection with internal thread		10-32 UNF-2B		1/8 NPT					
Piston rod thread									
[]		8-32 UNC-2A	10-24 UNC-2A	5/16-18 UNC-2A	3/8-16 UNC-2A	1/2-13 UNC-2A		5/8-11 UNC-2A	3/4-10 UNC-2A
[F]		8-32 UNC-2B	10-24 UNC-2B	5/16-18 UNC-2B	3/8-16 UNC-2B	1/2-13 UNC-2B		5/8-11 UNC-2B	3/4-10 UNC-2B
[]		-	10-32 UNF-2A	5/16-24 UNF-2A	3/8-24 UNF-2A	1/2-20 UNF-2A		5/8-18 UNF-2A	3/4-16 UNF-2A
[F]			10-32 UNF-2B	5/16-24 UNF-2B	3/8-24 UNF-2B	1/2-20 UNF-2B		5/8-18 UNF-2B	3/4-16 UNF-2B
Piston rod end	External thread								
	Internal thread								
Stroke [in]		1/8 ... 4							
Cushioning									
[P]		Flexible cushioning rings/pads at both ends							
[P2]		Flexible cushioning rings/pads at front							
[P3]		Flexible cushioning rings/pads at rear							
Position sensing		For proximity switch							
Type of mounting									
[U]		With swiveling rod eye on end cap							
[U90]		With swiveling rod eye on end cap rotated 90°							
[CB]		With through-hole on both sides							
[CF]		With through-hole on bearing cap							
[CR]		With through-hole on end cap							
[Y2]		With trunnion flange mounting on bearing cap							
[Y3]		With trunnion flange mounting on end cap							
[FT]		With threaded flange on bearing cap							
[MB]		Threaded direct mounting on both sides							
[MF]		Threaded direct mounting on bearing cap							
[MR]		Threaded direct mounting on end cap							
		With accessories							
Mounting position		Any							

Datasheet

Operating and environmental conditions								
Piston diameter	1/2	3/4	1 1/16	1 1/2	2	2 1/2	3	4
Operating pressure [psi]	15 ... 150							
Operating medium	Compressed air to ISO 8573-1:2010 [7:4:4]							
Information on operating and pilot media	Lubricated operation possible (in which case lubricated operation will always be required)							
Ambient temperature ¹⁾ [°F]	-25 ... +221							

1) Note operating range of proximity switches

Forces [lbs] at 80 psi								
Piston diameter	1/2	3/4	1 1/16	1 1/2	2	2 1/2	3	4
Theoretical force, pushing (piston rod retracted by spring force) ¹⁾	16	35.2	70.4	140.8	251.2	392.8	565.6	1005.6
Theoretical force, pulling (piston rod advanced by spring force)	12	28.8	55.2	116	212.8	357.6	517.6	942.4

1) Only applies to variant H (through, hollow piston rod) and variant T (through piston rod)

Materials	
Cover	Wrought aluminum alloy
Dynamic seals	NBR
	FPM
Piston rod	High-alloy stainless steel, hard chrome plated
Cylinder barrel	Reinforced composite material
Note on materials	Contains paint-wetting impairment substances
	RoHS-compliant

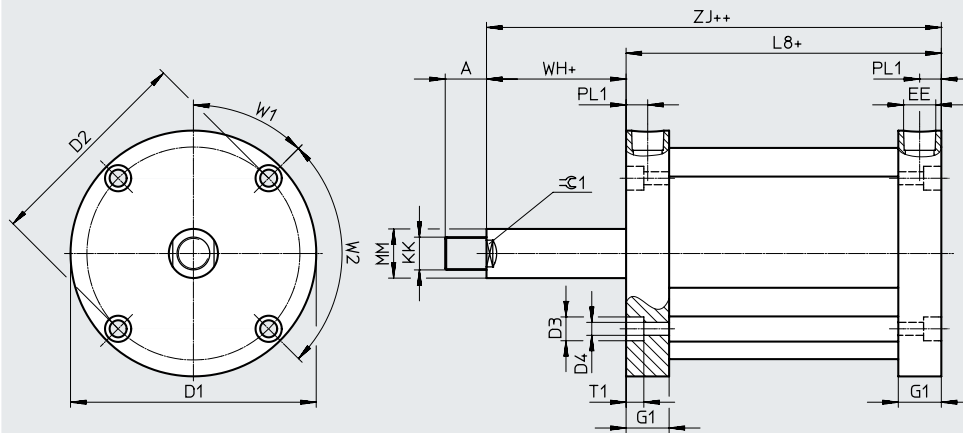
Weight [lb]								
Piston diameter	1/2	3/4	1 1/16	1 1/2	2	2 1/2	3	4
Product weight	0.07 ... 0.08	0.11 ... 0.13	0.29 ... 0.35	0.58 ... 0.68	0.78 ... 0.92	1.34 ... 1.69	1.73 ... 2.30	3.34 ... 4.34

Datasheet

Dimensions – piston diameter 1/2

Download CAD data → www.festo.com

[P] Single-acting, pulling (piston rod advanced by spring force)



+ = plus stroke length
++ = plus 2x stroke length

Stroke [in]	A	D1 ∅	D2 ∅	D3 ∅	D4 ∅	EE	G1	KK
1/8...4	0.38	1.12	0.88	0.2	0.13	10-32 UNF	0.34	8-24 UNC

Stroke [in]	L8	MM ∅	PL1	T1	W1	W2	WH	ZJ	⊖ 1
1/8...1	1.06	0.25	0.14	0.13	90°	–	0.13	1.19	0.22
1 1/4...2	1.62	0.25	0.14	0.13	90°	–	0.13	1.75	0.22
2 1/2; 3	2.14	0.25	0.14	0.13	90°	–	0.13	2.27	0.22
3 1/2; 4	3.21	0.25	0.14	0.13	90°	–	0.13	3.34	0.22

Dimensions – piston diameter 1/2

Download CAD data → www.festo.com

[P] Single-acting, pulling (piston rod advanced by spring force)

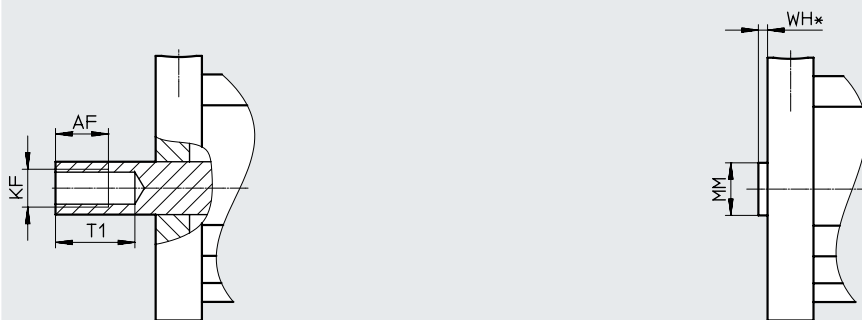
[P] Single-acting, pulling (piston rod advanced by spring force)

[F] Internal thread

[N] No thread

DPCB-...-F

DPCB-...-N



Stroke [in]	AF	KF	T1	MM ∅	WH
	[F]	[F]	[F]	[N]	[N]
1/8	0.294	8-32 UNC	–	0.25	0.13
1/4	0.419	8-32 UNC	–	0.25	0.13
3/8...1/2	0.544	8-32 UNC	–	0.25	0.13
5/8...4	0.46	8-32 UNC	–	0.25	0.13

Note

Piston ∅ 1/2 only with coarse thread UNC
Piston ∅ 3/4...4 with fine thread UNF or coarse thread UNC

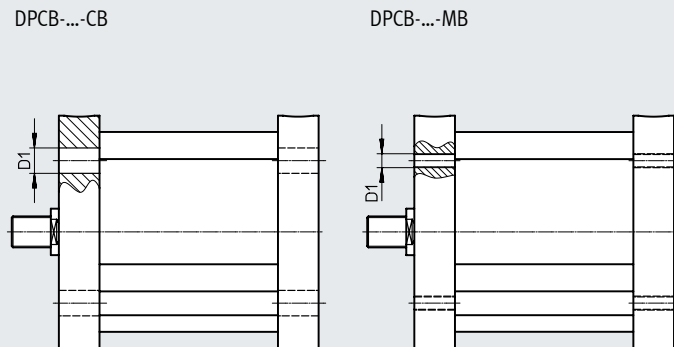
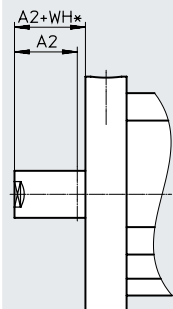
Datasheet

Dimensions – piston diameter 1/2

Download CAD data → www.festo.com

- [P] Single-acting, pulling (piston rod advanced by spring force)
- [NE] Piston rod extension

- [P] Single-acting, pulling (piston rod advanced by spring force)
- [CB] Through-holes, at both ends
- [MB] Mounting thread, at both ends



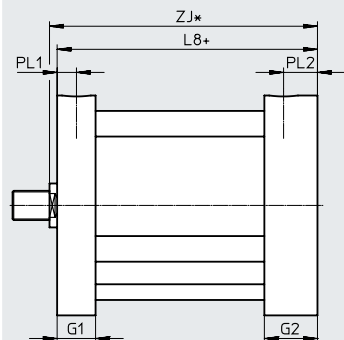
+ = plus stroke length

Stroke [in]	A2		WH	D1	D1
	min.	max.		∅	∅
1/8...4	0.001	6	0.13	[CB] 0.17	[MB] 4-40 UNC

Dimensions – piston diameter 1/2

Download CAD data → www.festo.com

- [P] Single-acting, pulling (piston rod advanced by spring force)
- [V] Reinforced end cap



* = plus 2x stroke length
+ = plus stroke length

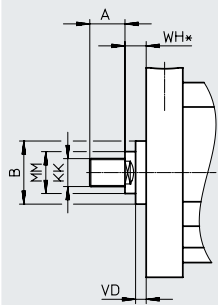
Stroke [in]	G1	G2	L8	PL1	PL2	ZJ
1/8...1	0.34	0.47	1.19	0.14	0.27	1.32
1 1/4...2	0.34	0.47	1.75	0.14	0.27	1.88
2 1/2; 3	0.34	0.47	2.27	0.14	0.27	2.4
3 1/2; 4	0.34	0.47	3.34	0.14	0.27	3.47

Datasheet

Dimensions – piston diameter 1/2

Download CAD data → www.festo.com

- [P] Single-acting, pulling (piston rod advanced by spring force)
- [A4] Scraper made of NBR



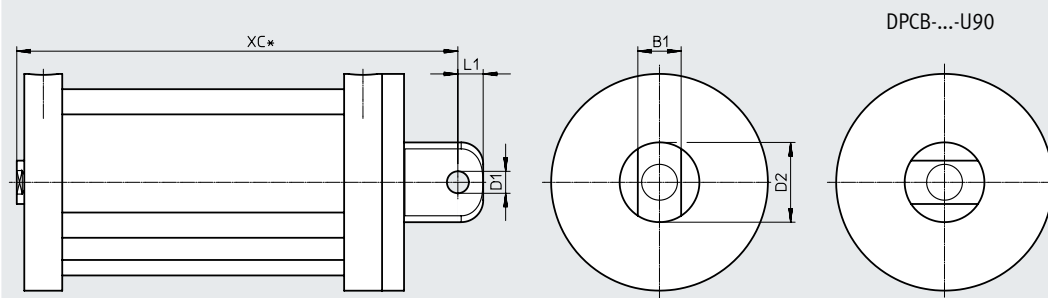
+ = plus stroke length

Stroke [in]	A	B	KK	MM ∅	WH	VD
1/8...4	0.38	0.56	8-24 UNC	0.25	0.38	0.19

Dimensions – piston diameter 1/2

Download CAD data → www.festo.com

- [P] Single-acting, pulling (piston rod advanced by spring force)
- [U] With swiveling rod eye
- [U90] With swiveling rod eye, rotated 90°



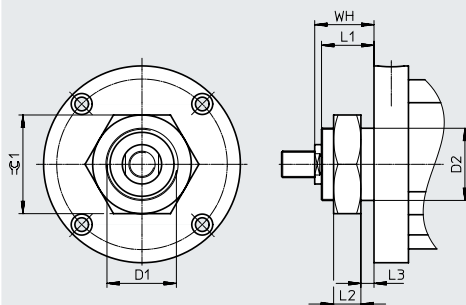
* = plus 2x stroke length

Stroke [in]	B1	D1 ∅	D2 ∅	L1	XC
1/8...1	0.38	0.19	0.63	0.25	1.94
1 1/4...2	0.38	0.19	0.63	0.25	2.5
2 1/2...3	0.38	0.19	0.63	0.25	3.02
3 1/2...4	0.38	0.19	0.63	0.25	4.09

Dimensions – piston diameter 1/2

Download CAD data → www.festo.com

- [P] Single-acting, pulling (piston rod advanced by spring force)
- [FT] Flange thread, front



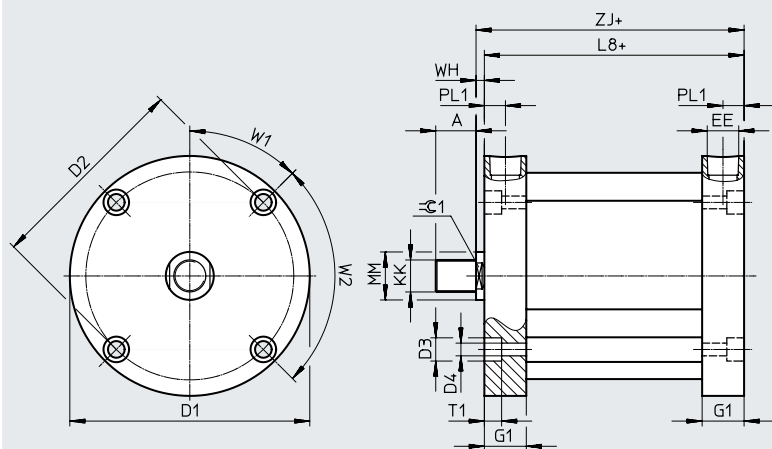
Stroke [in]	D1	D2 ∅	L1	L2	L3	WH	⊖ 1
1/8...4	1/2-20 UNF-2A	0.5	0.38	0.31	0.6	0.51	0.75

Datasheet

Dimensions – piston diameter 1/2

Download CAD data → www.festo.com

[S] Single-acting, pushing (piston rod retracted by spring force)



+ = plus stroke length

Stroke [in]	A	D1 ∅	D2 ∅	D3 ∅	D4 ∅	EE	G1	KK
1/8...1	0.38	1.12	0.88	0.2	0.13	10-32 UNF	0.34	8-24 UNC
1 1/4...2	0.38	1.12	0.88	0.2	0.13	10-32 UNF	0.34	8-24 UNC
2 1/2; 3	0.38	1.12	0.88	0.2	0.13	10-32 UNF	0.34	8-24 UNC
3 1/2; 4	0.38	1.12	0.88	0.2	0.13	10-32 UNF	0.34	8-24 UNC

Stroke [in]	L8	MM ∅	PL1	T1	W1	W2	WH	ZJ	≈ 1
1/8...1	0.81	0.25	0.14	0.3	90°	–	0.13	0.94	0.22
1 1/4...2	1.38	0.25	0.14	0.3	90°	–	0.13	1.51	0.22
2 1/2; 3	1.96	0.25	0.14	0.3	90°	–	0.13	2.09	0.22
3 1/2; 4	2.52	0.25	0.14	0.3	90°	–	0.13	2.65	0.22

Dimensions – piston diameter 1/2

Download CAD data → www.festo.com

[S] Single-acting, pushing (piston rod retracted by spring force)

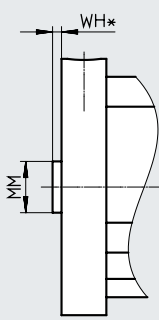
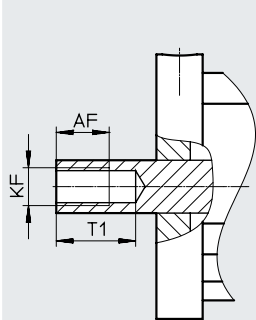
[S] Single-acting, pushing (piston rod retracted by spring force)

[F] Internal thread

[N] No thread

DPCB-...-F

DPCB-...-N



Stroke [in]	AF	KF	T1	MM ∅	WH
	[F]	[F]	[F]	[N]	[N]
1/8	0.294	8-32 UNC	–	0.25	0.13
1/4	0.419	8-32 UNC	–	0.25	0.13
3/8	0.544	8-32 UNC	–	0.25	0.13
1/2	0.544	8-32 UNC	–	0.25	0.13
5/8...4	0.46	8-32 UNC	–	0.25	0.13

Datasheet

Dimensions – piston diameter 1/2

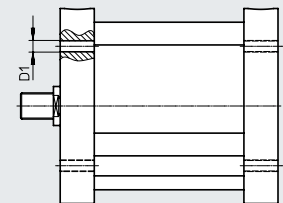
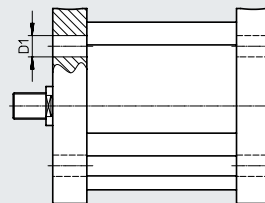
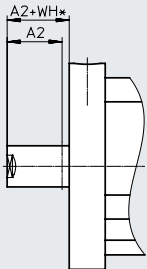
Download CAD data → www.festo.com

- [S] Single-acting, pushing (piston rod retracted by spring force)
- [NE] Piston rod extension

- [S] single-acting, pushing (piston rod retracted by spring force)
- [CB] – Through-holes, at both ends
- [MB] – Mounting thread, at both ends

DPCB-...-CB

DPCB-...-MB

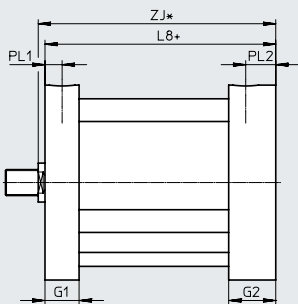


Stroke [in]	A2		WH	D1	D1
	min.	max.		∅	∅
1/8...4	0.001	6	0.13	[CB] 0.17	[MB] 4-40 UNC

Dimensions – piston diameter 1/2

Download CAD data → www.festo.com

- [S] Single-acting, pushing (piston rod retracted by spring force)
- [V] Reinforced end cap



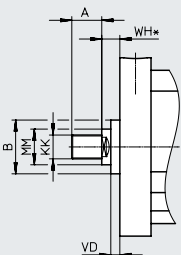
*/+ = plus stroke length

Stroke [in]	G1	G2	L8	PL1	PL2	ZJ
1/8...1	0.34	0.13	0.94	0.14	0.27	1.07
1 1/4...2	0.34	0.13	1.51	0.14	0.27	1.64
2 1/2; 3	0.34	0.13	2.09	0.14	0.27	2.22
3 1/2; 4	0.34	0.13	2.65	0.14	0.27	2.78

Dimensions – piston diameter 1/2

Download CAD data → www.festo.com

- [S] Single-acting, pushing (piston rod retracted by spring force)
- [A4] Scraper made of NBR



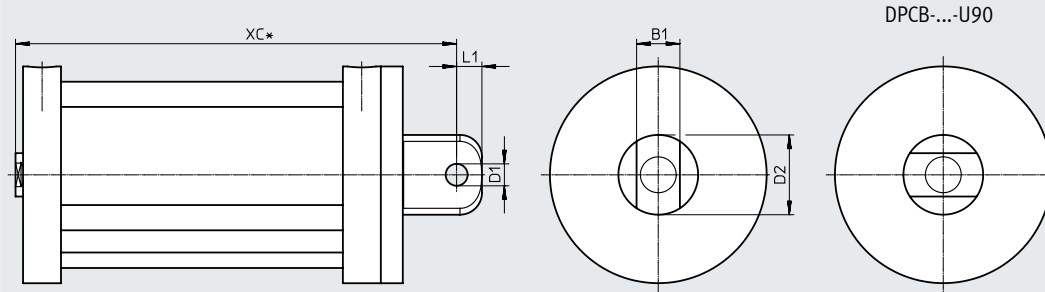
Stroke [in]	A	B	KK	MM	WH	VD
1/8...4	0.38	0.56	8-24 UNC	∅ 0.25	0.38	0.19

Datasheet

Dimensions – piston diameter 1/2

Download CAD data → www.festo.com

- [S] Single-acting, pushing (piston rod retracted by spring force)
- [U] With swiveling rod eye
- [U90] With swiveling rod eye, rotated 90°



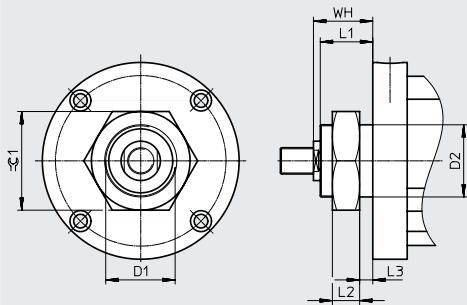
* = plus stroke length

Stroke [in]	B1	D1 ∅	D2 ∅	L1	XC
1/8...1	0.38	0.19	0.63	0.25	1.69
1 1/4...2	0.38	0.19	0.63	0.25	2.26
2 1/2...3	0.38	0.19	0.63	0.25	2.84
3 1/2...4	0.38	0.19	0.63	0.25	3.4

Dimensions – piston diameter 1/2

Download CAD data → www.festo.com

- [S] Single-acting, pushing (piston rod retracted by spring force)
- [FT] Flange thread, front



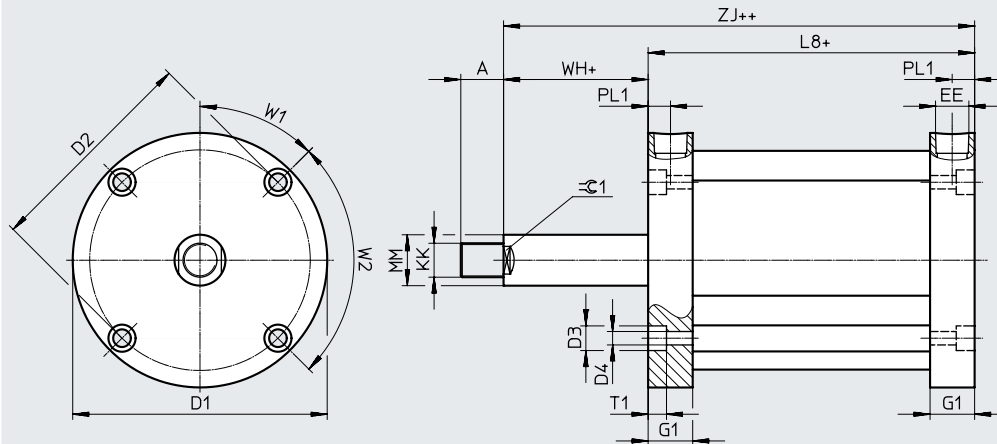
Stroke [in]	D1	D2 ∅	L1	L2	L3	WH	⌀ 1
1/8...4	1/2-20 UNF-2A	0.5	0.38	0.31	0.6	0.51	0.75

Datasheet

Dimensions – piston diameter 3/4

Download CAD data → www.festo.com

[P] Single-acting, pulling (piston rod advanced by spring force)



+ = plus stroke length
++ = plus 2x stroke length

Stroke [in]	A	D1 ∅	D2 ∅	D3 ∅	D4 ∅	EE	G1	KK	
1/8...1	0.38	1.49	0.88	0.24	0.15	10-32 UNF	0.34	10-24 UNC	10-32 UNF
1 1/4...2	0.38	1.49	0.88	0.24	0.15	10-32 UNF	0.34	10-24 UNC	10-32 UNF
2 1/2; 3	0.38	1.49	0.88	0.24	0.15	10-32 UNF	0.34	10-24 UNC	10-32 UNF
3 1/2; 4	0.38	1.49	0.88	0.24	0.15	10-32 UNF	0.34	10-24 UNC	10-32 UNF

Stroke [in]	L8	MM ∅	PL1	T1	W1	W2	WH	ZJ	⊖ 1
1/8...1	1.06	0.31	0.14	0.15	43°	90°	0.13	1.19	0.25
1 1/4...2	1.62	0.31	0.14	0.15	43°	90°	0.13	1.75	0.25
2 1/2; 3	2.19	0.31	0.14	0.15	43°	90°	0.13	2.32	0.25
3 1/2; 4	2.75	0.31	0.14	0.15	43°	90°	0.13	2.88	0.25

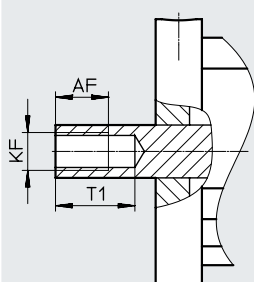
Dimensions – piston diameter 3/4

Download CAD data → www.festo.com

[P] Single-acting, pulling (piston rod advanced by spring force)

[F] Internal thread

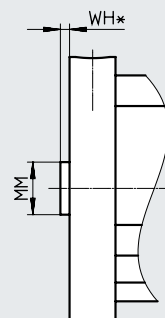
DPCB-...-F



[P] Single-acting, pulling (piston rod advanced by spring force)

[N] No thread

DPCB-...-N



Stroke [in]	AF	KF		T1	MM ∅	WH
	[F]	[F]		[F]	[N]	[N]
1/8	0.298	10-24 UNC	10-32 UNF	–	0.31	0.13
1/4	0.423	10-24 UNC	10-32 UNF	–	0.31	0.13
3/8	0.548	10-24 UNC	10-32 UNF	–	0.31	0.13
1/2	0.548	10-24 UNC	10-32 UNF	–	0.31	0.13
5/8...4	0.46	10-24 UNC	10-32 UNF	–	0.31	0.13

Datasheet

Dimensions – piston diameter 3/4

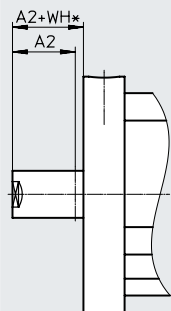
Download CAD data → www.festo.com

- [P] Single-acting, pulling (piston rod advanced by spring force)
- [NE] Piston rod extension

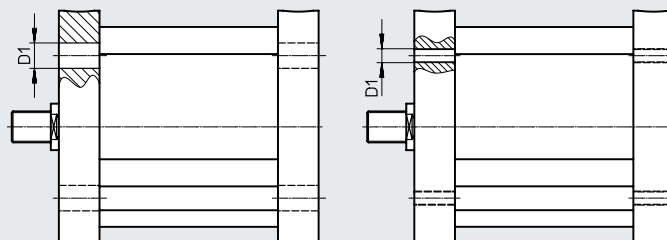
- [P] Single-acting, pulling (piston rod advanced by spring force)
- [CB] Through-holes, at both ends
- [MB] Mounting thread, at both ends

DPCB-...-CB

DPCB-...-MB



+ = plus stroke length

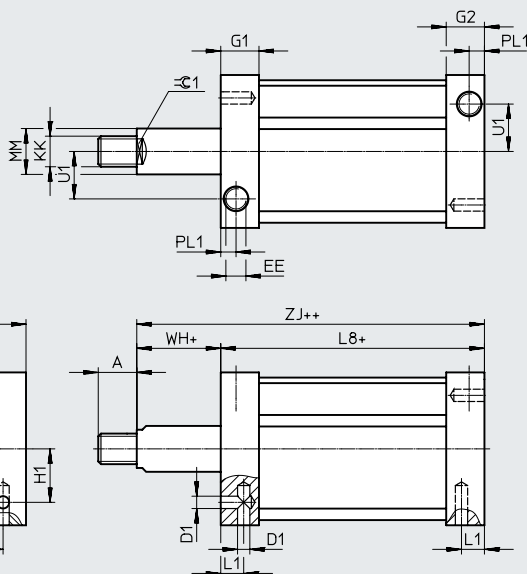


Stroke [in]	A2		WH	D1	D1
	min.	max.		∅	∅
1/8...4	0.001	6	0.13	[CB] 0.23	[MB] 6-32 UNC

Dimensions – piston diameter 3/4

Download CAD data → www.festo.com

- [P] Single-acting, pulling (piston rod advanced by spring force)
- [QX] Square cap geometry



+ = plus stroke length
++ = plus 2x stroke length

Stroke [in]	A	B1	D1 ∅	E	EE	G1	G2	H1	KK
1/8...4	0.38	0.38	6-32 UNC	1.25	10-32 UNF	0.42	0.42	0.38	10-24 UNC 10-32 UNF

Stroke [in]	L1	L8	MM ∅	PL1	U1	WH	ZJ	∅ 1
1/8...1	0.28	1.25	0.31	0.14	0.3	0.13	1.38	0.25
1 1/4...2	0.28	1.81	0.31	0.14	0.3	0.13	1.94	0.25
2 1/2...3	0.28	2.38	0.31	0.14	0.3	0.13	2.51	0.25
3 1/2...4	0.28	2.94	0.31	0.14	0.3	0.13	3.07	0.25

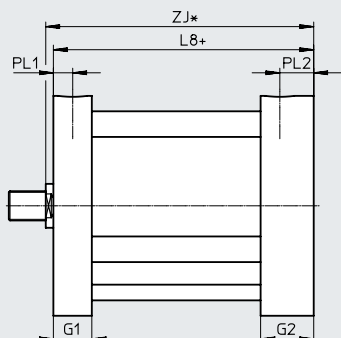
Datasheet

Dimensions – piston diameter 3/4

Download CAD data → www.festo.com

[P] Single-acting, pulling (piston rod advanced by spring force)

[V] Reinforced end cap



* = plus 2x stroke length

+ = plus stroke length

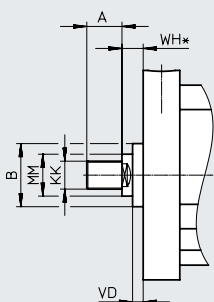
Stroke [in]	G1	G2	L8	PL1	PL2	ZJ
1/8...1	0.34	0.47	1.19	0.14	0.27	1.32
1 1/4...2	0.34	0.47	1.75	0.14	0.27	1.88
2 1/2; 3	0.34	0.47	2.32	0.14	0.27	2.45
3 1/2; 4	0.34	0.47	2.88	0.14	0.27	3.01

Dimensions – piston diameter 3/4

Download CAD data → www.festo.com

[P] Single-acting, pulling (piston rod advanced by spring force)

[A4] Scraper made of NBR



+ = plus stroke length

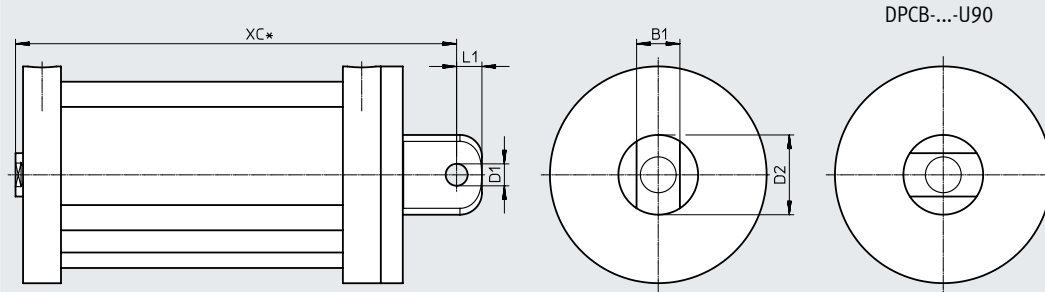
Stroke [in]	A	B	KK	MM ∅	WH	VD
1/8...4	0.38	0.69	10-24 UNC 10-32 UNF	0.31	0.38	0.19

Datasheet

Dimensions – piston diameter 3/4

Download CAD data → www.festo.com

- [P] Single-acting, pulling (piston rod advanced by spring force)
- [U] With swiveling rod eye
- [U90] With swiveling rod eye, rotated 90°



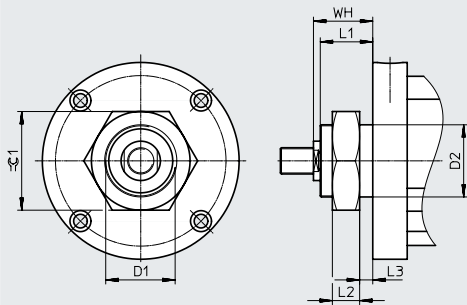
* = plus 2x stroke length

Stroke [in]	B1	D1 ∅	D2 ∅	L1	XC
1/8...1	0.38	0.19	0.75	0.25	1.94
1 1/4...2	0.38	0.19	0.75	0.25	2.5
2 1/2...3	0.38	0.19	0.75	0.25	3.07
3 1/2...4	0.38	0.19	0.75	0.25	3.63

Dimensions – piston diameter 3/4

Download CAD data → www.festo.com

- [P] Single-acting, pulling (piston rod advanced by spring force)
- [FT] Flange thread, front



Stroke [in]	D1	D2 ∅	L1	L2	L3	WH	⌀ 1
1/8...4	5/8-18 UNF-2A	0.62	0.38	0.25	0.6	0.51	0.75

Datasheet

Dimensions – piston diameter 3/4

Download CAD data → www.festo.com

[P] Single-acting, pulling (piston rod advanced by spring force)

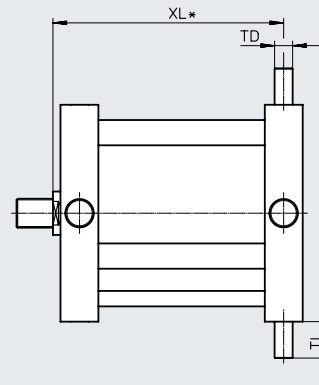
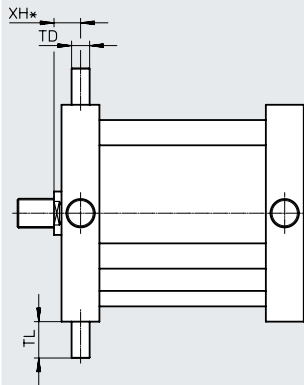
[P] Single-acting, pulling (piston rod advanced by spring force)

[Y2] Trunnion flange mounting position, front

[Y3] Trunnion flange mounting position, rear

DPCB-...-Y2

DPCB-...-Y3



XH* = plus stroke length

XL* = plus 2x stroke length

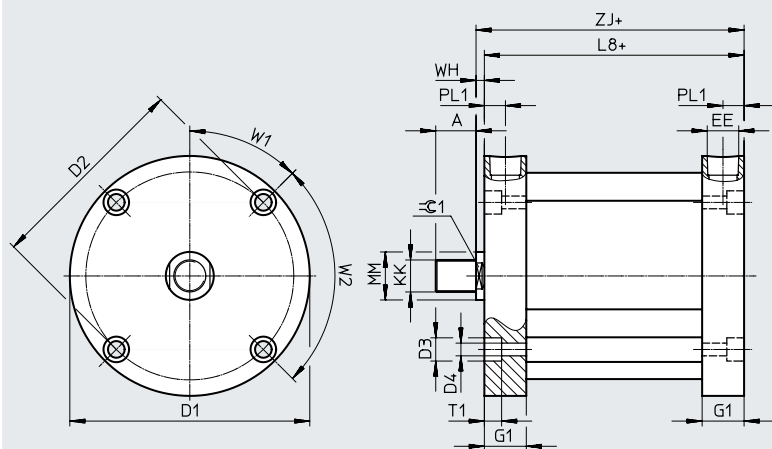
Stroke [in]	TD	TL	XH	XL
			[Y2]	[Y3]
1/8...1	0.125	0.31	0.3	1.02
1 1/4...2	0.125	0.31	0.3	1.58
2 1/2...3	0.125	0.31	0.3	2.15
3 1/2...4	0.125	0.31	0.3	2.71

Datasheet

Dimensions – piston diameter 3/4

Download CAD data → www.festo.com

[S] Single-acting, pushing (piston rod retracted by spring force)



+ = plus stroke length

Stroke [in]	A	D1 ∅	D2 ∅	D3 ∅	D4 ∅	EE	G1	KK	
1/8...1	0.38	1.49	1.22	0.24	0.15	10-32 UNF	0.34	10-24 UNC	10-32 UNF
1 1/4...2	0.38	1.49	1.22	0.24	0.15	10-32 UNF	0.34	10-24 UNC	10-32 UNF
2 1/2; 3	0.38	1.49	1.22	0.24	0.15	10-32 UNF	0.34	10-24 UNC	10-32 UNF
3 1/2; 4	0.38	1.49	1.22	0.24	0.15	10-32 UNF	0.34	10-24 UNC	10-32 UNF

Stroke [in]	L8	MM ∅	PL1	T1	W1	W2	WH	ZJ	≈ 1
1/8...1	0.81	0.31	0.14	0.15	43°	90°	0.13	0.94	0.25
1 1/4...2	1.38	0.31	0.14	0.15	43°	90°	0.13	1.51	0.25
2 1/2; 3	1.94	0.31	0.14	0.15	43°	90°	0.13	2.07	0.25
3 1/2; 4	2.5	0.31	0.14	0.15	43°	90°	0.13	2.63	0.25

Dimensions – piston diameter 3/4

Download CAD data → www.festo.com

[S] Single-acting, pushing (piston rod retracted by spring force)

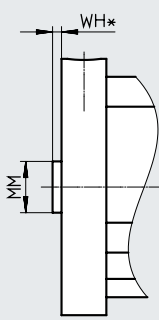
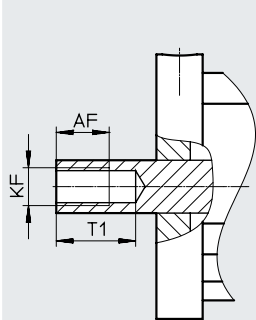
[S] Single-acting, pushing (piston rod retracted by spring force)

[F] Internal thread

[N] No thread

DPCB-...-F

DPCB-...-N



Stroke [in]	AF	KF		T1	MM ∅	WH
	[F]	[F]	[F]	[F]	[N]	[N]
1/8	0.298	10-24 UNC	10-32 UNF	-	0.31	0.13
1/4	0.423	10-24 UNC	10-32 UNF	-	0.31	0.13
3/8	0.548	10-24 UNC	10-32 UNF	-	0.31	0.13
1/2	0.548	10-24 UNC	10-32 UNF	-	0.31	0.13
5/8...4	0.46	10-24 UNC	10-32 UNF	-	0.31	0.13

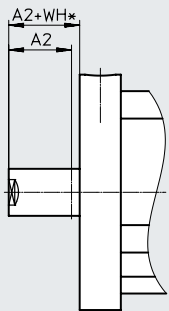
Datasheet

Dimensions – piston diameter 3/4

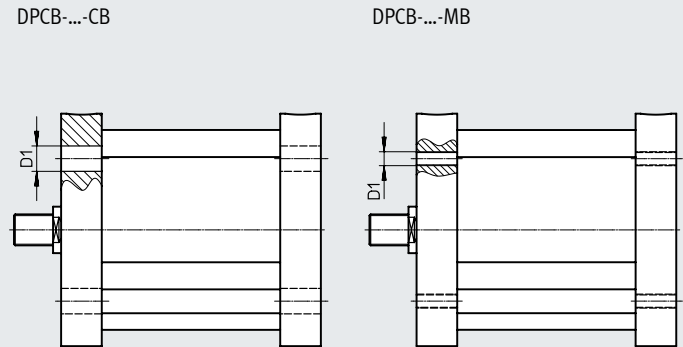
Download CAD data → www.festo.com

- [S] Single-acting, pushing (piston rod retracted by spring force)
- [NE] Piston rod extension

- [S] Single-acting, pushing (piston rod retracted by spring force)
- [CB] Through-holes, at both ends
- [MB] Mounting thread, at both ends



+ = plus stroke length

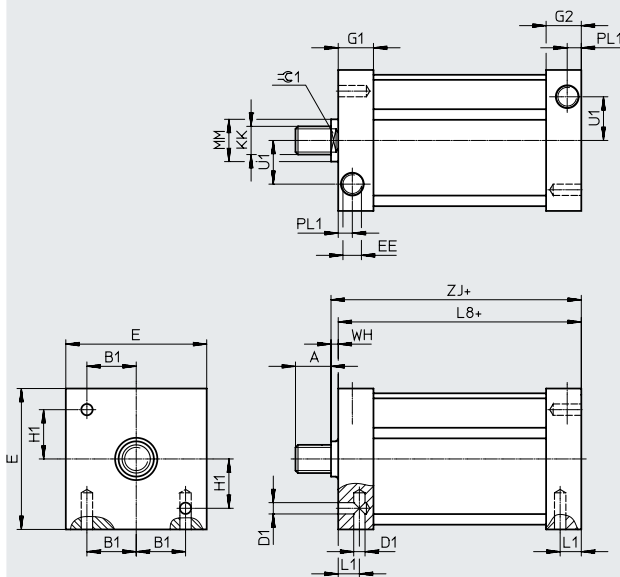


Stroke [in]	A2		WH	D1	D1
	min.	max.		∅	∅
1/8...4	0.001	6	0.13	[CB] 0.23	[MB] 6-32 UNC

Dimensions – piston diameter 3/4

Download CAD data → www.festo.com

- [S] Single-acting, pushing (piston rod retracted by spring force)
- [QX] Square cap geometry



+ = plus stroke length

Stroke [in]	A	B1	D1 ∅	E	EE	G1	G2	H1	KK	
1/8...4	0.38	0.38	6-32 UNC	1.25	10-32 UNF	0.42	0.42	0.38	10-24 UNC	10-32 UNF

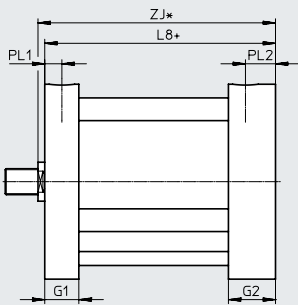
Stroke [in]	L1	L8	MM ∅	PL1	U1	WH	ZJ	∅ 1
1/8...1	0.28	1	0.31	0.14	0.3	0.13	1.13	0.25
1 1/4...2	0.28	1.56	0.31	0.14	0.3	0.13	1.69	0.25
2 1/2...3	0.28	2.13	0.31	0.14	0.3	0.13	2.26	0.25
3 1/2...4	0.28	2.69	0.31	0.14	0.3	0.13	2.82	0.25

Datasheet

Dimensions – piston diameter 3/4

Download CAD data → www.festo.com

- [S] Single-acting, pushing (piston rod retracted by spring force)
- [V] Reinforced end cap



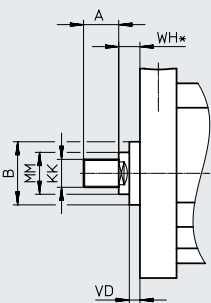
*/+ = plus stroke length

Stroke [in]	G1	G2	L8	PL1	PL2	ZJ
1/8...1	0.34	0.13	0.94	0.14	0.27	1.07
1 1/4...2	0.34	0.13	1.51	0.14	0.27	1.64
2 1/2; 3	0.34	0.13	2.07	0.14	0.27	2.2
3 1/2; 4	0.34	0.13	2.63	0.14	0.27	2.76

Dimensions – piston diameter 3/4

Download CAD data → www.festo.com

- [S] Single-acting, pushing (piston rod retracted by spring force)
- [A4] Scraper made of NBR



+ = plus stroke length

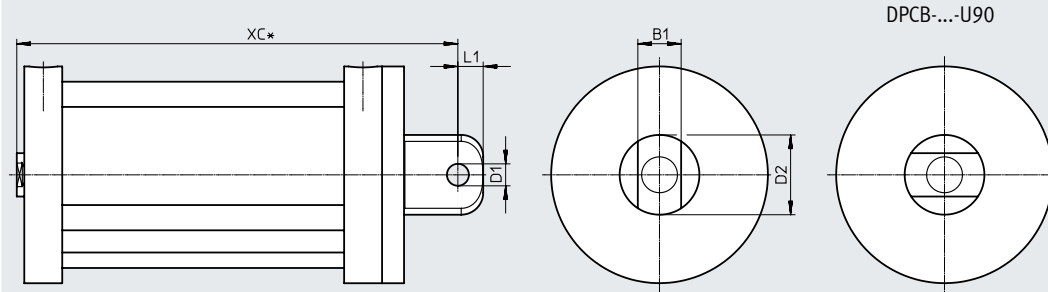
Stroke [in]	A	B	KK	MM ∅	WH	VD
1/8...4	0.38	0.69	10-24 UNC 10-32 UNF	0.31	0.38	0.19

Datasheet

Dimensions – piston diameter 3/4

Download CAD data → www.festo.com

- [S] Single-acting, pushing (piston rod retracted by spring force)
- [U] With swiveling rod eye
- [U90] With swiveling rod eye, rotated 90°



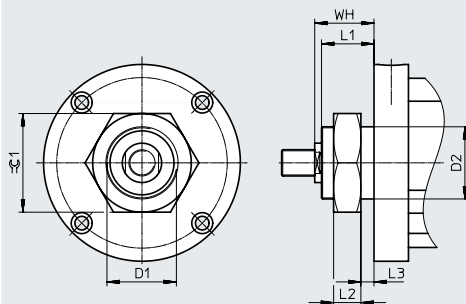
* = plus 2x stroke length

Stroke [in]	B1	D1 ∅	D2 ∅	L1	XC
1/8...1	0.38	0.19	0.75	0.25	1.69
1 1/4...2	0.38	0.19	0.75	0.25	2.26
2 1/2...3	0.38	0.19	0.75	0.25	2.82
3 1/2...4	0.38	0.19	0.75	0.25	3.38

Dimensions – piston diameter 3/4

Download CAD data → www.festo.com

- [S] Single-acting, pushing (piston rod retracted by spring force)
- [FT] Flange thread, front



Stroke [in]	D1	D2 ∅	L1	L2	L3	WH	⌀ 1
1/8...4	5/8-18 UNF-2A	0.62	0.38	0.25	0.6	0.51	0.75

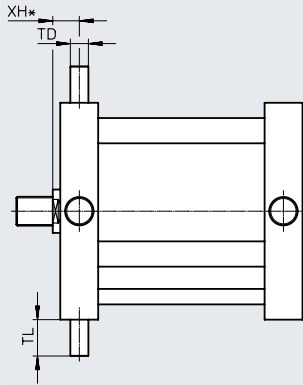
Datasheet

Dimensions – piston diameter 3/4

Download CAD data → www.festo.com

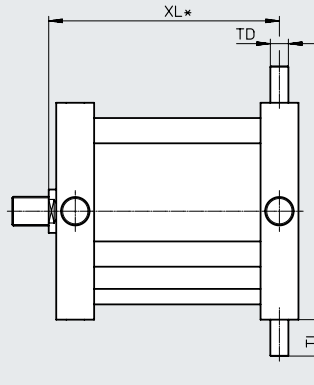
- [S] Single-acting, pushing (piston rod retracted by spring force)
- [Y2] Trunnion flange mounting position, front

DPCB-...-Y2



- [S] Single-acting, pushing (piston rod retracted by spring force)
- [Y3] Trunnion flange mounting position, rear

DPCB-...-Y3



XL* = plus 2x stroke length

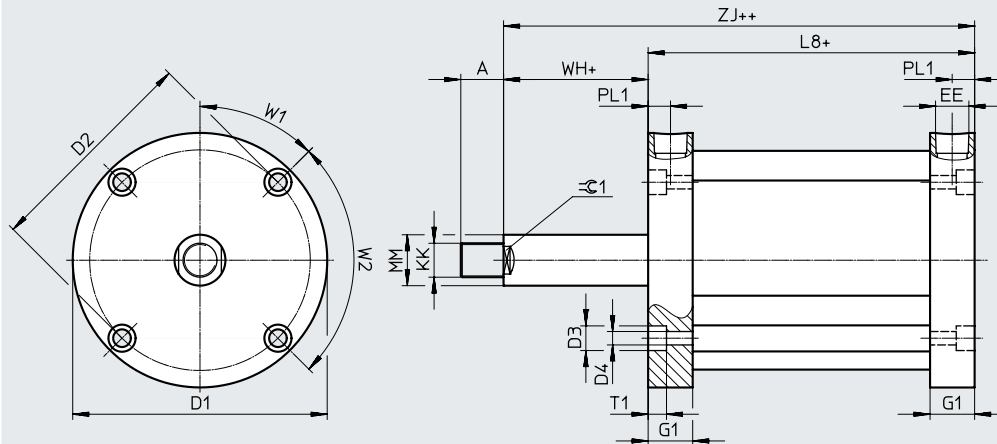
Stroke [in]	TD	TL	XH	XL
			[Y2]	[Y3]
1/8...1	0.125	0.31	0.3	0.77
1 1/4...2	0.125	0.31	0.3	1.34
2 1/2...3	0.125	0.31	0.3	1.9
3 1/2...4	0.125	0.31	0.3	2.46

Datasheet

Dimensions – piston diameter 1 1/16

Download CAD data → www.festo.com

[P] Single-acting, pulling (piston rod advanced by spring force)



+ = plus stroke length
 ++ = plus 2x stroke length

Stroke [in]	A	D1 ∅	D2 ∅	D3 ∅	D4 ∅	EE	G1	KK	
1/8...1	0.5	1.99	1.69	0.24	0.15	1/8 NPT	0.5	5/16-18 UNC	5/16-24 UNF
1 1/4...2	0.5	1.99	1.69	0.24	0.15	1/8 NPT	0.5	5/16-18 UNC	5/16-24 UNF
2 1/2; 3	0.5	1.99	1.69	0.24	0.15	1/8 NPT	0.5	5/16-18 UNC	5/16-24 UNF
3 1/2; 4	0.5	1.99	1.69	0.24	0.15	1/8 NPT	0.5	5/16-18 UNC	5/16-24 UNF

Stroke [in]	L8	MM ∅	PL1	T1	W1	W2	WH	ZJ	≈G 1
1/8...1	1.38	0.5	0.25	0.15	45°	90°	0.13	1.51	0.44
1 1/4...2	2	0.5	0.25	0.15	45°	90°	0.13	2.13	0.44
2 1/2; 3	2.63	0.5	0.25	0.15	45°	90°	0.13	2.76	0.44
3 1/2; 4	3.25	0.5	0.25	0.15	45°	90°	0.13	3.38	0.44

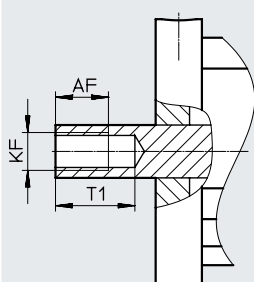
Dimensions – piston diameter 1 1/16

Download CAD data → www.festo.com

[P] Single-acting, pulling (piston rod advanced by spring force)

[F] Internal thread

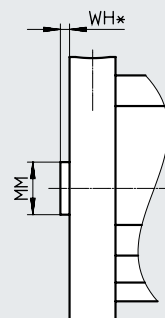
DPCB-...-F



[P] Single-acting, pulling (piston rod advanced by spring force)

[N] No thread

DPCB-...-N



Stroke [in]	AF	KF		T1	MM ∅	WH
	[F]	[F]	[F]	[F]	[N]	[N]
1/8	0.427	5/16-18 UNC	5/16-24 UNF	–	0.5	0.13
1/4	0.552	5/16-18 UNC	5/16-24 UNF	–	0.5	0.13
3/8	0.677	5/16-18 UNC	5/16-24 UNF	–	0.5	0.13
1/2	0.802	5/16-18 UNC	5/16-24 UNF	–	0.5	0.13
5/8...4	0.7	5/16-18 UNC	5/16-24 UNF	–	0.5	0.13

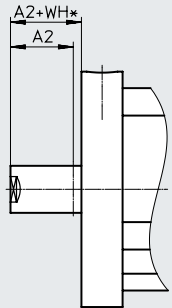
Datasheet

Dimensions – piston diameter 1 1/16

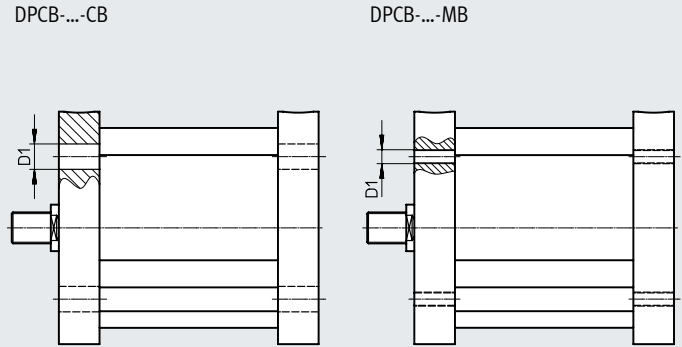
Download CAD data → www.festo.com

- [P] Single-acting, pulling (piston rod advanced by spring force)
- [NE] Piston rod extension

- [P] Single-acting, pulling (piston rod advanced by spring force)
- [CB] Through-holes, at both ends
- [MB] Mounting thread, at both ends



+ = plus stroke length

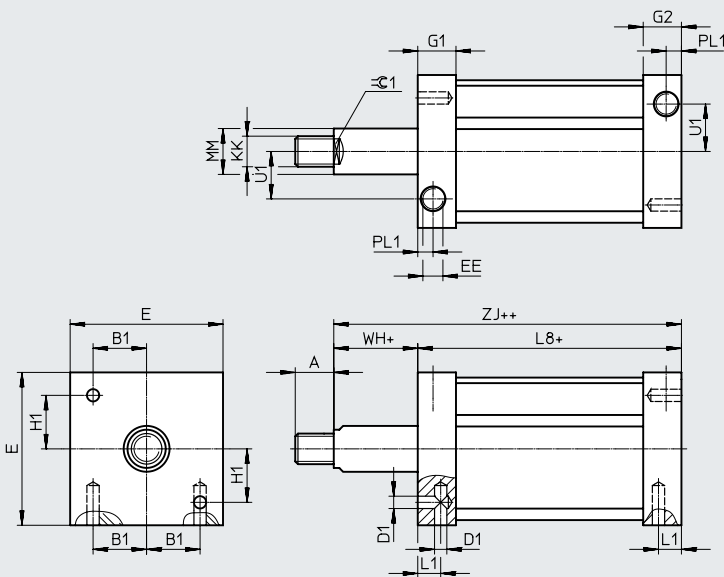


Stroke [in]	A2		WH	D1	D1
	min.	max.		∅	∅
1/8...4	0.001	6	0.13	[CB] 0.25	[MB] 6-32 UNC

Dimensions – piston diameter 1 1/16

Download CAD data → www.festo.com

- [P] Single-acting, pulling (piston rod advanced by spring force)
- [QX] Square cap geometry



+ = plus stroke length
++ = plus 2x stroke length

Stroke [in]	A	B1	D1 ∅	E	EE	G1	G2	H1	KK
1/8...4	0.5	0.5	8-32 UNC	1.5	1/8 NPT	0.58	0.5	0.5	5/16-18 UNC 5/16-24 UNF

Stroke [in]	L1	L8	MM ∅	PL1	U1	WH	ZJ	≈ 1
1/8...1	0.38	1.75	0.5	0.25	0.5	0.13	1.88	0.44
1 1/4...2	0.38	2.38	0.5	0.25	0.5	0.13	2.51	0.44
2 1/2...3	0.38	3	0.5	0.25	0.5	0.13	3.13	0.44
3 1/2...4	0.38	3.63	0.5	0.25	0.5	0.13	3.76	0.44

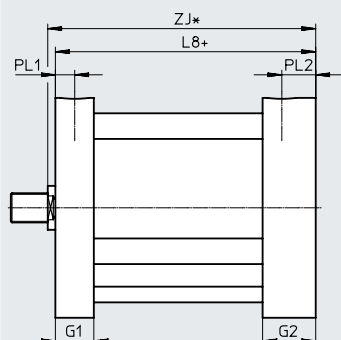
Datasheet

Dimensions – piston diameter 1 1/16

Download CAD data → www.festo.com

[P] Single-acting, pulling (piston rod advanced by spring force)

[V] Reinforced end cap



* = plus 2x stroke length

+ = plus stroke length

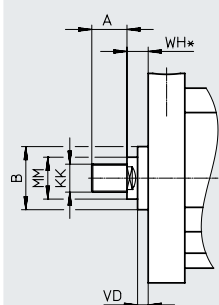
Stroke [in]	G1	G2	L8	PL1	PL2	ZJ
1/8...1	0.5	0.69	1.57	0.25	0.44	1.7
1 1/4...2	0.5	0.69	2.19	0.25	0.44	2.32
2 1/2; 3	0.5	0.69	2.82	0.25	0.44	2.95
3 1/2; 4	0.5	0.69	3.44	0.25	0.44	3.57

Dimensions – piston diameter 1 1/16

Download CAD data → www.festo.com

[P] Single-acting, pulling (piston rod advanced by spring force)

[A4] Scraper made of NBR



+ = plus stroke length

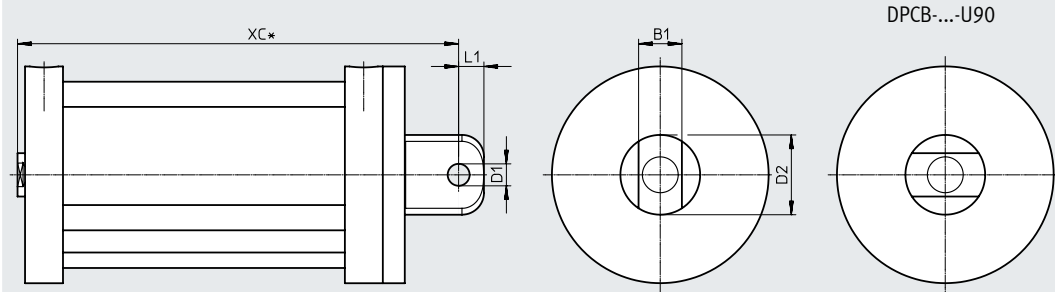
Stroke [in]	A	B	KK	MM ∅	WH	VD
1/8...4	0.5	0.88	5/16-18 UNC 5/16-24 UNF	0.5	0.38	0.19

Datasheet

Dimensions – piston diameter 1 1/16

Download CAD data → www.festo.com

- [P] Single-acting, pulling (piston rod advanced by spring force)
- [U] With swiveling rod eye
- [U90] With swiveling rod eye, rotated 90°



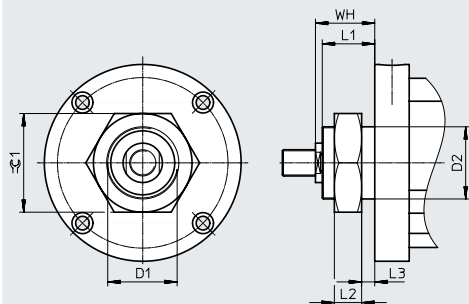
* = plus 2x stroke length

Stroke [in]	B1	D1 ∅	D2 ∅	L1	XC
1/8...1	0.38	0.19	0.75	0.25	2.32
1 1/4...2	0.38	0.19	0.75	0.25	2.94
2 1/2...3	0.38	0.19	0.75	0.25	3.57
3 1/2...4	0.38	0.19	0.75	0.25	4.19

Dimensions – piston diameter 1 1/16

Download CAD data → www.festo.com

- [P] Single-acting, pulling (piston rod advanced by spring force)
- [FT] Flange thread, front



Stroke [in]	D1	D2 ∅	L1	L2	L3	WH	⌀ 1
1/8...4	1-14 UNF-2A	1	0.75	0.55	0.13	0.88	1.5

Datasheet

Dimensions – piston diameter 1 1/16

Download CAD data → www.festo.com

[P] Single-acting, pulling (piston rod advanced by spring force)

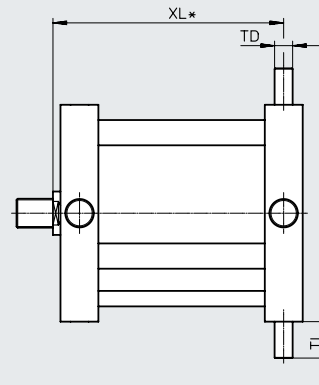
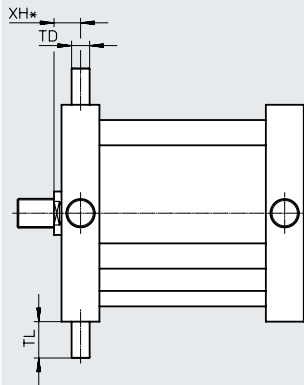
[P] Single-acting, pulling (piston rod advanced by spring force)

[Y2] Trunnion flange mounting position, front

[Y3] Trunnion flange mounting position, rear

DPCB-...-Y2

DPCB-...-Y3



XH* = plus stroke length

XL* = plus 2x stroke length

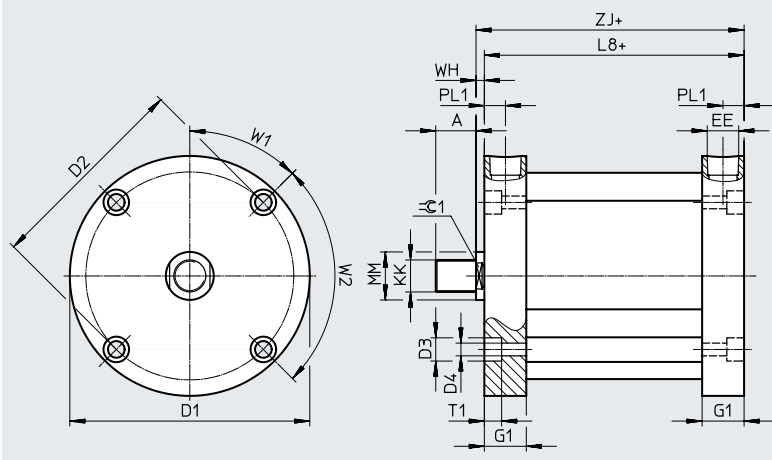
Stroke [in]	TD	TL	XH	XL
			[Y2]	[Y3]
1/8...1	0.25	0.5	0.38	1.26
1 1/4...2	0.25	0.5	0.38	1.88
2 1/2...3	0.25	0.5	0.38	2.51
3 1/2...4	0.25	0.5	0.38	3.13

Datasheet

Dimensions – piston diameter 1 1/16

Download CAD data → www.festo.com

[S] Single-acting, pushing (piston rod retracted by spring force)



Stroke [in]	A	D1 ∅	D2 ∅	D3 ∅	D4 ∅	EE	G1	KK	
1/8...1	0.5	1.99	1.69	0.24	0.15	1/8 NPT	0.5	5/16-18 UNC	5/16-24 UNF
1 1/4...2	0.5	1.99	1.69	0.24	0.15	1/8 NPT	0.5	5/16-18 UNC	5/16-24 UNF
2 1/2; 3	0.5	1.99	1.69	0.24	0.15	1/8 NPT	0.5	5/16-18 UNC	5/16-24 UNF
3 1/2; 4	0.5	1.99	1.69	0.24	0.15	1/8 NPT	0.5	5/16-18 UNC	5/16-24 UNF

Stroke [in]	L8	MM ∅	PL1	T1	W1	W2	WH	ZJ	≈ 1
1/8...1	0.88	0.5	0.25	0.15	45°	90°	0.13	1.01	0.44
1 1/4...2	1.5	0.5	0.25	0.15	45°	90°	0.13	1.63	0.44
2 1/2; 3	2.13	0.5	0.25	0.15	45°	90°	0.13	2.26	0.44
3 1/2; 4	2.75	0.5	0.25	0.15	45°	90°	0.13	2.88	0.44

Dimensions – piston diameter 1 1/16

Download CAD data → www.festo.com

[S] Single-acting, pushing (piston rod retracted by spring force)

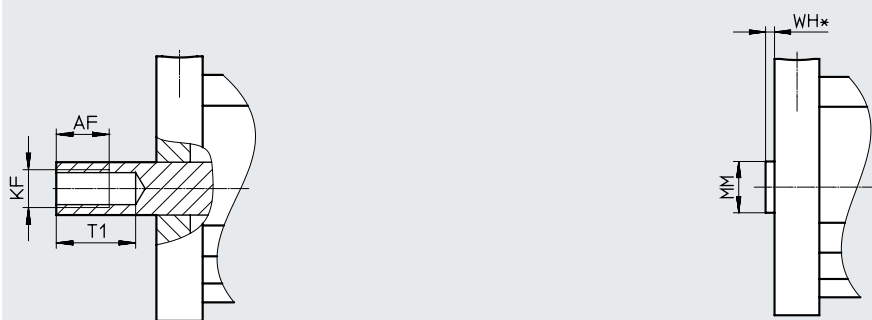
[S] Single-acting, pushing (piston rod retracted by spring force)

[F] Internal thread

[N] No thread

DPCB-...-F

DPCB-...-N



Stroke [in]	AF	KF		T1	MM ∅	WH
	[F]	[F]	[F]	[F]	[N]	[N]
1/8	0.427	5/16-18 UNC	5/16-24 UNF	-	0.5	0.13
1/4	0.552	5/16-18 UNC	5/16-24 UNF	-	0.5	0.13
3/8	0.677	5/16-18 UNC	5/16-24 UNF	-	0.5	0.13
1/2	0.802	5/16-18 UNC	5/16-24 UNF	-	0.5	0.13
5/8...4	0.7	5/16-18 UNC	5/16-24 UNF	-	0.5	0.13

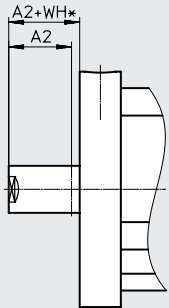
Datasheet

Dimensions – piston diameter 1 1/16

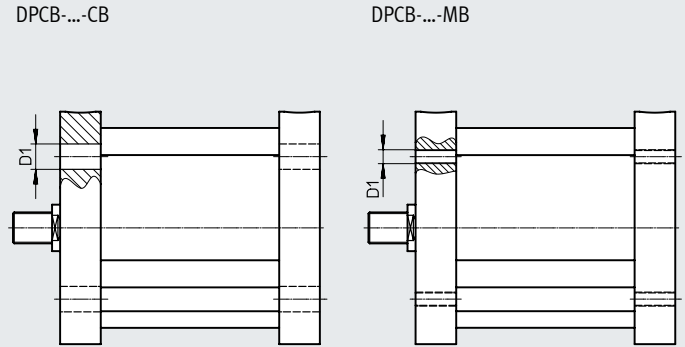
Download CAD data → www.festo.com

- [S] Single-acting, pushing (piston rod retracted by spring force)
- [NE] Piston rod extension

- [S] Single-acting, pushing (piston rod retracted by spring force)
- [CB] Through-holes, at both ends
- [MB] Mounting thread, at both ends



+ = plus stroke length

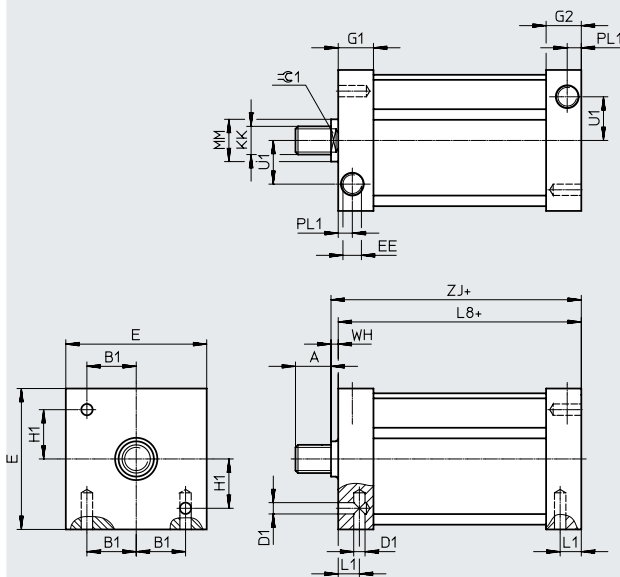


Stroke [in]	A2		WH	D1	D1
	min.	max.		∅	∅
1/8...4	0.001	6	0.13	[CB] 0.25	[MB] 6-32 UNC

Dimensions – piston diameter 1 1/16

Download CAD data → www.festo.com

- [S] Single-acting, pushing (piston rod retracted by spring force)
- [QX] Square cap geometry



+ = plus stroke length

Stroke [in]	A	B1	D1 ∅	E	EE	G1	G2	H1	KK	
1/8...4	0.5	0.5	8-32 UNC	1.5	1/8 NPT	0.58	0.5	0.5	5/16-18 UNC	5/16-24 UNF

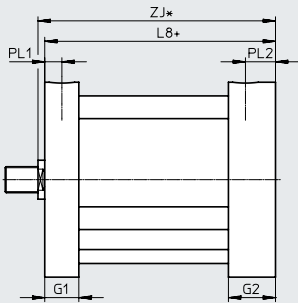
Stroke [in]	L1	L8	MM ∅	PL1	U1	WH	ZJ	∅ 1
1/8...1	0.38	1.25	0.5	0.25	0.5	0.13	1.38	0.44
1 1/4...2	0.38	1.88	0.5	0.25	0.5	0.13	2.01	0.44
2 1/2...3	0.38	2.5	0.5	0.25	0.5	0.13	2.63	0.44
3 1/2...4	0.38	3.13	0.5	0.25	0.5	0.13	3.26	0.44

Datasheet

Dimensions – piston diameter 1 1/16

Download CAD data → www.festo.com

- [S] Single-acting, pushing (piston rod retracted by spring force)
- [V] Reinforced end cap



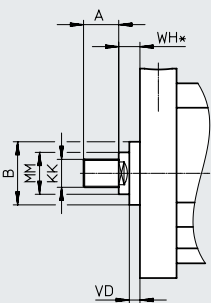
*/+ = plus stroke length

Stroke [in]	G1	G2	L8	PL1	PL2	ZJ
1/8...1	0.5	0.19	0.94	0.25	0.44	1.2
1 1/4...2	0.5	0.19	1.51	0.25	0.44	1.82
2 1/2; 3	0.5	0.19	2.07	0.25	0.44	2.45
3 1/2; 4	0.5	0.19	2.63	0.25	0.44	3.07

Dimensions – piston diameter 1 1/16

Download CAD data → www.festo.com

- [S] Single-acting, pushing (piston rod retracted by spring force)
- [A4] Scraper made of NBR



+ = plus stroke length

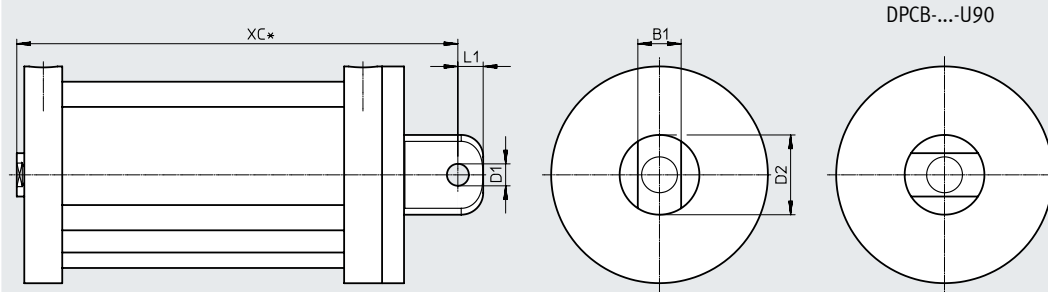
Stroke [in]	A	B	KK	MM ∅	WH	VD
1/8...4	0.5	0.88	5/16-18 UNC 5/16-24 UNF	0.5	0.38	0.19

Datasheet

Dimensions – piston diameter 1 1/16

Download CAD data → www.festo.com

- [S] Single-acting, pushing (piston rod retracted by spring force)
- [U] With swiveling rod eye
- [U90] With swiveling rod eye, rotated 90°



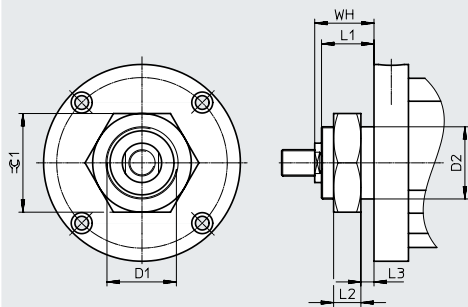
* = plus 2x stroke length

Stroke [in]	B1	D1 ∅	D2 ∅	L1	XC
1/8...1	0.38	0.19	0.75	0.25	1.82
1 1/4...2	0.38	0.19	0.75	0.25	2.44
2 1/2...3	0.38	0.19	0.75	0.25	3.07
3 1/2...4	0.38	0.19	0.75	0.25	3.69

Dimensions – piston diameter 1 1/16

Download CAD data → www.festo.com

- [S] Single-acting, pushing (piston rod retracted by spring force)
- [FT] Flange thread, front



Stroke [in]	D1	D2 ∅	L1	L2	L3	WH	⌀ 1
1/8...4	1-14 UNF-2A	1	0.75	0.55	0.13	0.88	1.5

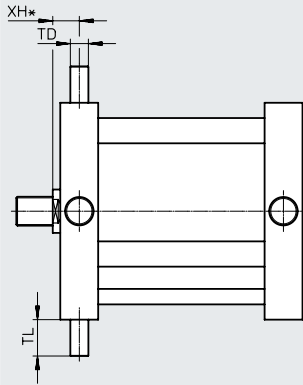
Datasheet

Dimensions – piston diameter 1 1/16

Download CAD data → www.festo.com

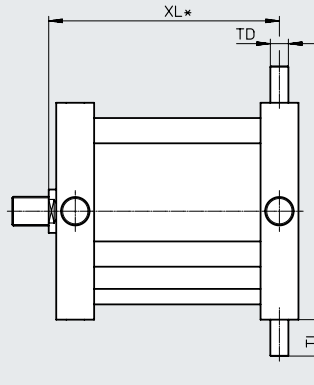
- [S] Single-acting, pushing (piston rod retracted by spring force)
- [Y2] Trunnion flange mounting position, front

DPCB-...-Y2



- [S] Single-acting, pushing (piston rod retracted by spring force)
- [Y3] Trunnion flange mounting position, rear

DPCB-...-Y3



XL* = plus 2x stroke length

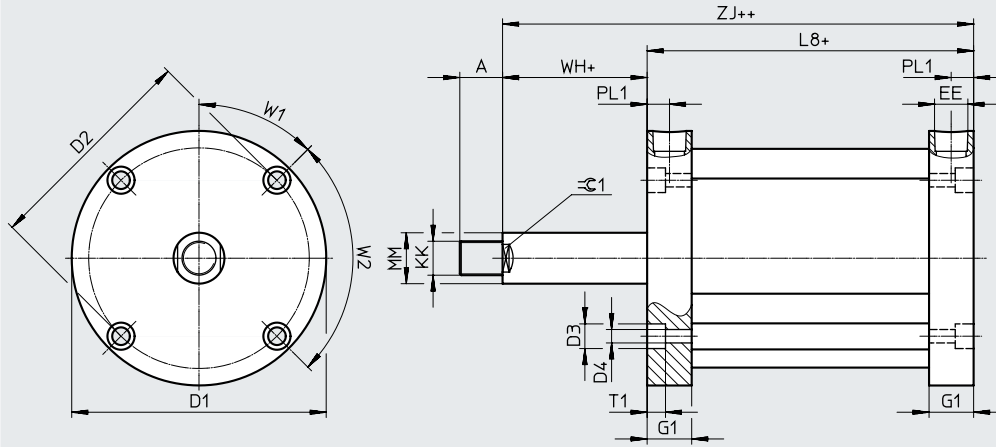
Stroke [in]	TD	TL	XH	XL
			[Y2]	[Y3]
1/8...1	0.25	0.5	0.38	0.76
1 1/4...2	0.25	0.5	0.38	1.38
2 1/2...3	0.25	0.5	0.38	2.01
3 1/2...4	0.25	0.5	0.38	2.63

Datasheet

Dimensions – piston diameter 1 1/2

Download CAD data → www.festo.com

[P] Single-acting, pulling (piston rod advanced by spring force)



+ = plus stroke length
 ++ = plus 2x stroke length

Stroke [in]	A	D1 ∅	D2 ∅	D3 ∅	D4 ∅	EE	G1	KK	
1/8...1	0.5	2.62	2.19	0.34	0.2	1/8 NPT	0.5	3/8-16 UNC	3/8-24 UNF
1 1/4...2	0.5	2.62	2.19	0.34	0.2	1/8 NPT	0.5	3/8-16 UNC	3/8-24 UNF
2 1/2; 3	0.5	2.62	2.19	0.34	0.2	1/8 NPT	0.5	3/8-16 UNC	3/8-24 UNF
3 1/2; 4	0.5	2.62	2.19	0.34	0.2	1/8 NPT	0.5	3/8-16 UNC	3/8-24 UNF

Stroke [in]	L8	MM ∅	PL1	T1	W1	W2	WH	ZJ	≈G 1
1/8...1	1.38	0.63	0.25	0.22	45°	90°	0.13	1.51	0.5
1 1/4...2	2	0.63	0.25	0.22	45°	90°	0.13	2.13	0.5
2 1/2; 3	2.63	0.63	0.25	0.22	45°	90°	0.13	2.76	0.5
3 1/2; 4	3.25	0.63	0.25	0.22	45°	90°	0.13	3.38	0.5

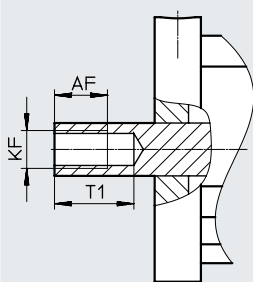
Dimensions – piston diameter 1 1/2

Download CAD data → www.festo.com

[P] Single-acting, pulling (piston rod advanced by spring force)

[F] Internal thread

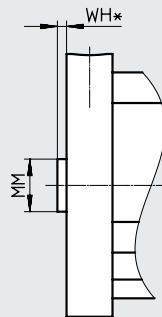
DPCB-...-F



[P] Single-acting, pulling (piston rod advanced by spring force)

[N] No thread

DPCB-...-N



Stroke [in]	AF	KF		T1	MM ∅	WH
	[F]	[F]	[F]	[F]	[N]	[N]
1/8...4	0.75	3/8-16 UNC	3/8-24 UNF	1.125	0.63	0.13

Datasheet

Dimensions – piston diameter 1 1/2

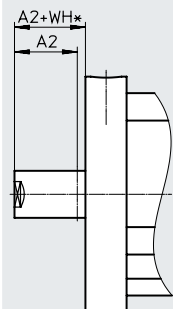
Download CAD data → www.festo.com

- [P] Single-acting, pulling (piston rod advanced by spring force)
- [NE] Piston rod extension

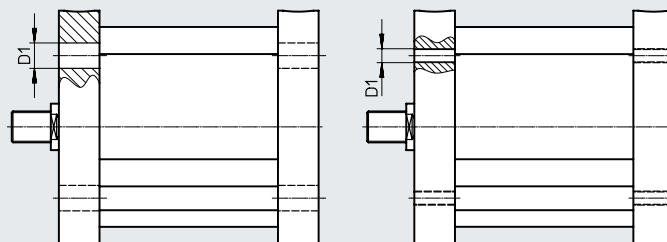
- [P] Single-acting, pulling (piston rod advanced by spring force)
- [CB] Through-holes, at both ends
- [MB] Mounting thread, at both ends

DPCB-...-CB

DPCB-...-MB



+ = plus stroke length

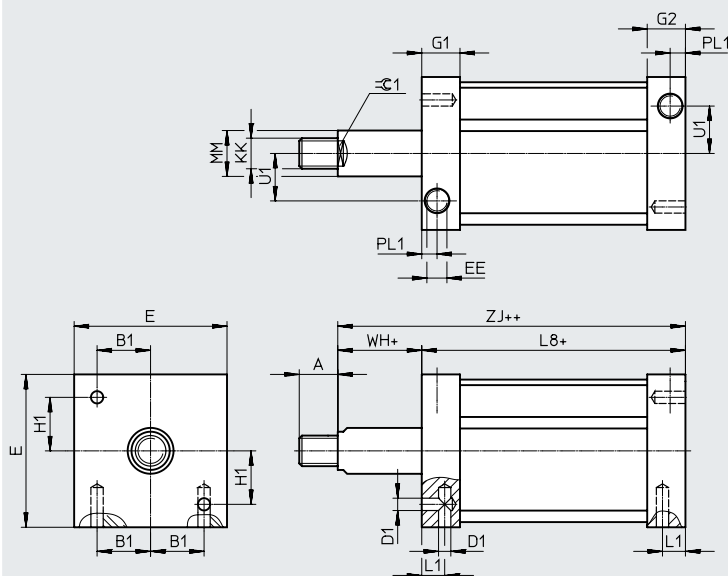


Stroke [in]	A2		WH	D1	D1
	min.	max.		∅	∅
1/8...4	0.001	6	0.13	[CB] 0.34	[MB] 10-24 UNC

Dimensions – piston diameter 1 1/2

Download CAD data → www.festo.com

- [P] Single-acting, pulling (piston rod advanced by spring force)
- [QX] Square cap geometry



+ = plus stroke length
++ = plus 2x stroke length

Stroke [in]	A	B1	D1 ∅	E	EE	G1	G2	H1	KK
1/8...4	0.5	0.69	10-24 UNC	2	1/8 NPT	0.58	0.5	0.69	3/8-16 UNC 3/8-24 UNF

Stroke [in]	L1	L8	MM ∅	PL1	U1	WH	ZJ	∅ 1
1/8...1	0.31	1.75	0.63	0.25	0.73	0.13	1.88	0.5
1 1/4...2	0.31	2.38	0.63	0.25	0.73	0.13	2.51	0.5
2 1/2...3	0.31	3	0.63	0.25	0.73	0.13	3.13	0.5
3 1/2...4	0.31	3.63	0.63	0.25	0.73	0.13	3.76	0.5

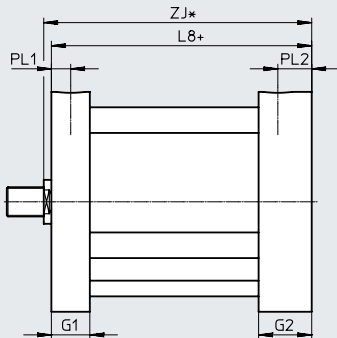
Datasheet

Dimensions – piston diameter 1 1/2

Download CAD data → www.festo.com

[P] Single-acting, pulling (piston rod advanced by spring force)

[V] Reinforced end cap



* = plus 2x stroke length

+ = plus stroke length

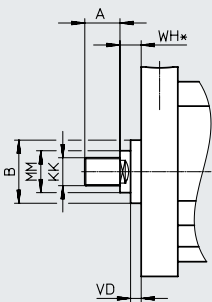
Stroke [in]	G1	G2	L8	PL1	PL2	ZJ
1/8...1	0.5	0.69	1.57	0.25	0.44	1.7
1 1/4...2	0.5	0.69	2.19	0.25	0.44	2.32
2 1/2; 3	0.5	0.69	2.82	0.25	0.44	2.95
3 1/2; 4	0.5	0.69	3.44	0.25	0.44	3.57

Dimensions – piston diameter 1 1/2

Download CAD data → www.festo.com

[P] Single-acting, pulling (piston rod advanced by spring force)

[A4] Scraper made of NBR



+ = plus stroke length

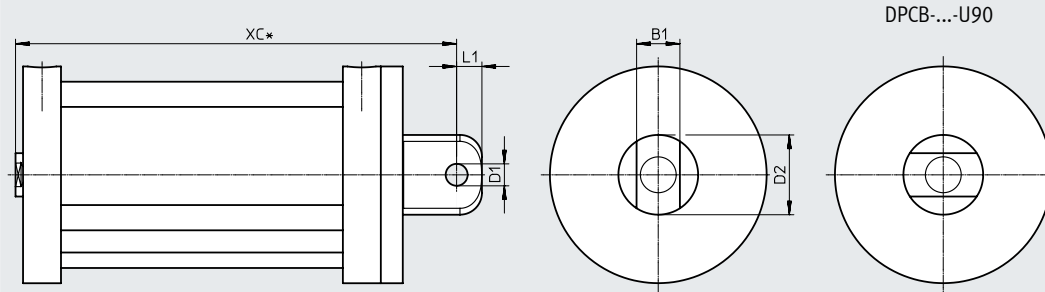
Stroke [in]	A	B	KK	MM ∅	WH	VD
1/8...4	0.5	1	3/8-16 UNC 3/8-24 UNF	0.63	0.38	0.19

Datasheet

Dimensions – piston diameter 1 1/2

Download CAD data → www.festo.com

- [P] Single-acting, pulling (piston rod advanced by spring force)
- [U] With swiveling rod eye
- [U90] With swiveling rod eye, rotated 90°



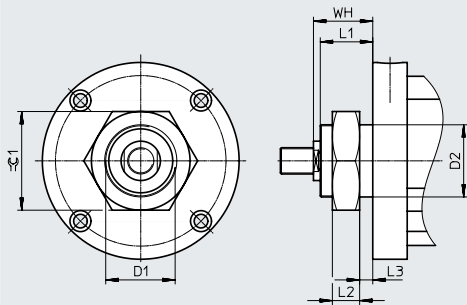
* = plus 2x stroke length

Stroke [in]	B1	D1 ∅	D2 ∅	L1	XC
1/8...1	0.75	0.38	1.38	0.44	2.7
1 1/4...2	0.75	0.38	1.38	0.44	3.32
2 1/2...3	0.75	0.38	1.38	0.44	3.95
3 1/2...4	0.75	0.38	1.38	0.44	4.57

Dimensions – piston diameter 1 1/2

Download CAD data → www.festo.com

- [P] Single-acting, pulling (piston rod advanced by spring force)
- [FT] Flange thread, front



Stroke [in]	D1	D2 ∅	L1	L2	L3	WH	⌀ 1
1/8...4	1 1/4-12 UNF-2A	1.25	0.75	0.52	0.13	0.88	1.88

Datasheet

Dimensions – piston diameter 1 1/2

Download CAD data → www.festo.com

[P] Single-acting, pulling (piston rod advanced by spring force)

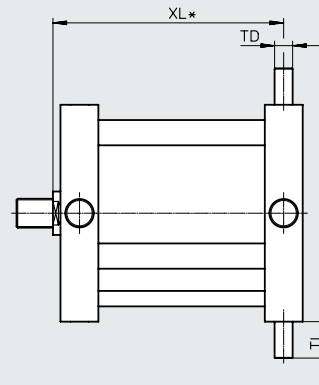
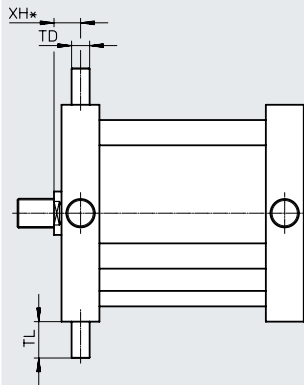
[P] Single-acting, pulling (piston rod advanced by spring force)

[Y2] Trunnion flange mounting position, front

[Y3] Trunnion flange mounting position, rear

DPCB-...-Y2

DPCB-...-Y3



XH* = plus stroke length

XL* = plus 2x stroke length

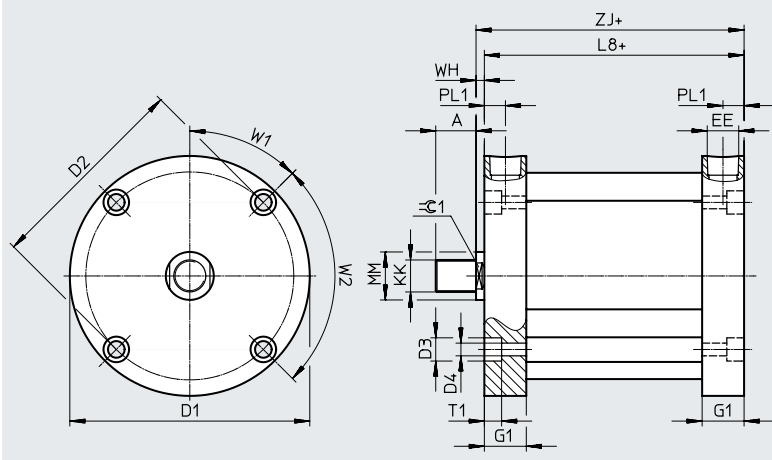
Stroke [in]	TD	TL	XH	XL
			[Y2]	[Y3]
1/8...1	0.25	0.5	0.38	1.26
1 1/4...2	0.25	0.5	0.38	1.88
2 1/2...3	0.25	0.5	0.38	2.51
3 1/2...4	0.25	0.5	0.38	3.13

Datasheet

Dimensions – piston diameter 1 1/2

Download CAD data → www.festo.com

[S] Single-acting, pushing (piston rod retracted by spring force)



Stroke [in]	A	D1 ∅	D2 ∅	D3 ∅	D4 ∅	EE	G1	KK	
1/8...1	0.5	2.62	2.19	0.34	0.2	1/8 NPT	0.5	3/8-16 UNC	3/8-24 UNF
1 1/4...2	0.5	2.62	2.19	0.34	0.2	1/8 NPT	0.5	3/8-16 UNC	3/8-24 UNF
2 1/2; 3	0.5	2.62	2.19	0.34	0.2	1/8 NPT	0.5	3/8-16 UNC	3/8-24 UNF
3 1/2; 4	0.5	2.62	2.19	0.34	0.2	1/8 NPT	0.5	3/8-16 UNC	3/8-24 UNF

Stroke [in]	L8	MM ∅	PL1	T1	W1	W2	WH	ZJ	≈ 1
1/8...1	0.88	0.63	0.25	0.22	45°	90°	0.13	1.01	0.5
1 1/4...2	1.5	0.63	0.25	0.22	45°	90°	0.13	1.63	0.5
2 1/2; 3	2.13	0.63	0.25	0.22	45°	90°	0.13	2.26	0.5
3 1/2; 4	2.75	0.63	0.25	0.22	45°	90°	0.13	2.88	0.5

Dimensions – piston diameter 1 1/2

Download CAD data → www.festo.com

[S] Single-acting, pushing (piston rod retracted by spring force)

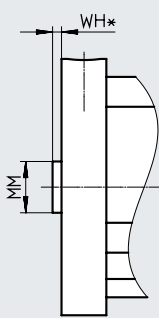
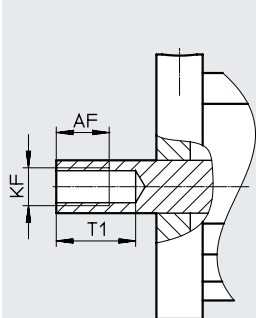
[S] Single-acting, pushing (piston rod retracted by spring force)

[F] Internal thread

[N] No thread

DPCB-...-F

DPCB-...-N



Stroke [in]	AF	KF		T1	MM ∅	WH
	[F]	[F]	[F]	[F]	[N]	[N]
1/8...4	0.75	3/8-16 UNC	3/8-24 UNF	1.125	0.63	0.13

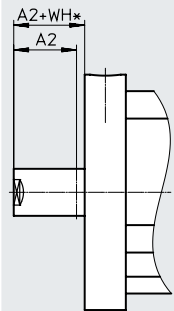
Datasheet

Dimensions – piston diameter 1 1/2

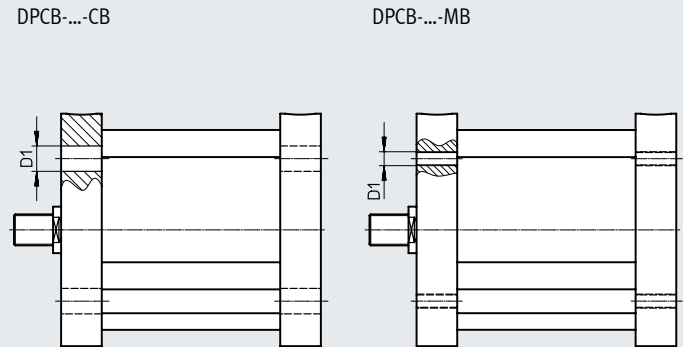
Download CAD data → www.festo.com

- [S] Single-acting, pushing (piston rod retracted by spring force)
- [NE] Piston rod extension

- [S] Single-acting, pushing (piston rod retracted by spring force)
- [CB] Through-holes, at both ends
- [MB] Mounting thread, at both ends



+ = plus stroke length

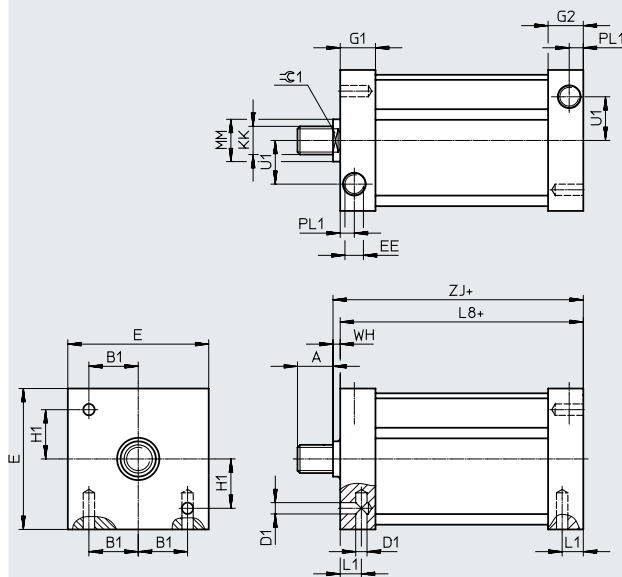


Stroke [in]	A2		WH	D1	D1
	min.	max.		∅	∅
1/8...4	0.001	6	0.13	[CB] 0.34	[MB] 10-24 UNC

Dimensions – piston diameter 1 1/2

Download CAD data → www.festo.com

- [S] Single-acting, pushing (piston rod retracted by spring force)
- [QX] Square cap geometry



+ = plus stroke length

Stroke [in]	A	B1	D1 ∅	E	EE	G1	G2	H1	KK
1/8...4	0.5	0.69	10-24 UNC	2	1/8 NPT	0.58	0.5	0.69	3/8-16 UNC 3/8-24 UNF

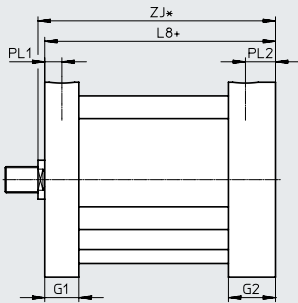
Stroke [in]	L1	L8	MM ∅	PL1	U1	WH	ZJ	∅1
1/8...1	0.31	1.25	0.63	0.25	0.73	0.13	1.38	0.5
1 1/4...2	0.31	1.88	0.63	0.25	0.73	0.13	2.01	0.5
2 1/2...3	0.31	2.5	0.63	0.25	0.73	0.13	2.63	0.5
3 1/2...4	0.31	3.13	0.63	0.25	0.73	0.13	3.16	0.5

Datasheet

Dimensions – piston diameter 1 1/2

Download CAD data → www.festo.com

- [S] Single-acting, pushing (piston rod retracted by spring force)
- [V] Reinforced end cap



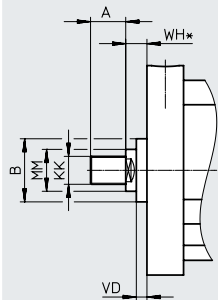
*/+ = plus stroke length

Stroke [in]	G1	G2	L8	PL1	PL2	ZJ
1/8...1	0.5	0.19	0.94	0.25	0.44	1.2
1 1/4...2	0.5	0.19	1.51	0.25	0.44	1.82
2 1/2; 3	0.5	0.19	2.07	0.25	0.44	2.45
3 1/2; 4	0.5	0.19	2.63	0.25	0.44	3.07

Dimensions – piston diameter 1 1/2

Download CAD data → www.festo.com

- [S] Single-acting, pushing (piston rod retracted by spring force)
- [A4] Scraper made of NBR



+ = plus stroke length

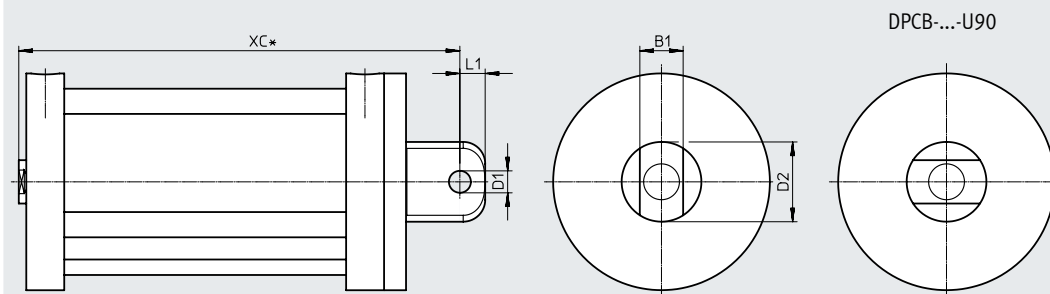
Stroke [in]	A	B	KK	MM ∅	WH	VD
1/8...4	0.5	1	3/8-16 UNC	3/8-24 UNF	0.63	0.38

Datasheet

Dimensions – piston diameter 1 1/2

Download CAD data → www.festo.com

- [S] Single-acting, pushing (piston rod retracted by spring force)
- [U] With swiveling rod eye
- [U90] With swiveling rod eye, rotated 90°



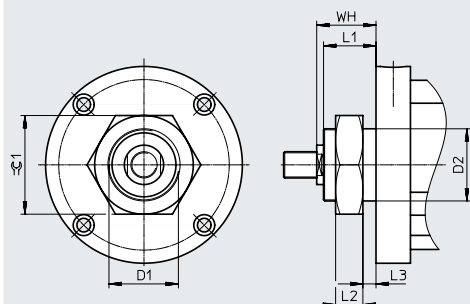
* = plus 2x stroke length

Stroke [in]	B1	D1 ∅	D2 ∅	L1	XC
1/8...1	0.75	0.38	1.38	0.44	2.2
1 1/4...2	0.75	0.38	1.38	0.44	2.82
2 1/2...3	0.75	0.38	1.38	0.44	3.45
3 1/2...4	0.75	0.38	1.38	0.44	4.07

Dimensions – piston diameter 1 1/2

Download CAD data → www.festo.com

- [S] Single-acting, pushing (piston rod retracted by spring force)
- [FT] Flange thread, front



Stroke [in]	D1	D2 ∅	L1	L2	L3	WH	⌀ 1
1/8...4	1 1/4-12 UNF-2A	1.25	0.75	0.52	0.13	0.88	1.88

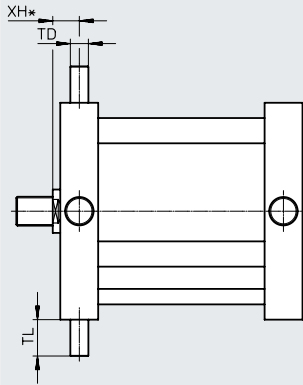
Datasheet

Dimensions – piston diameter 1 1/2

Download CAD data → www.festo.com

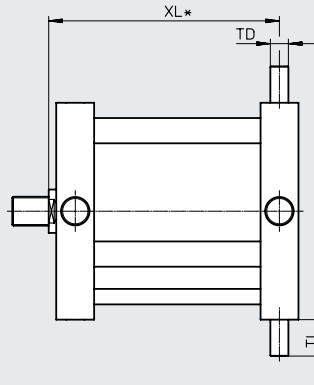
- [S] Single-acting, pushing (piston rod retracted by spring force)
- [Y2] Trunnion flange mounting position, front

DPCB-...-Y2



- [S] Single-acting, pushing (piston rod retracted by spring force)
- [Y3] Trunnion flange mounting position, rear

DPCB-...-Y3



XL* = plus 2x stroke length

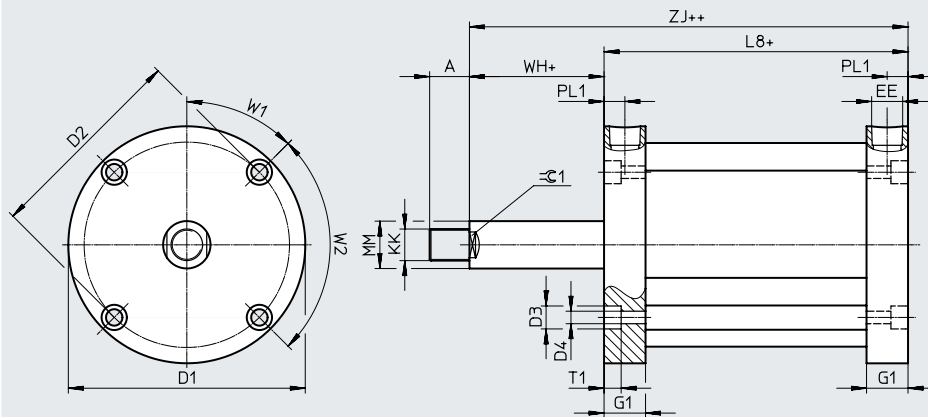
Stroke [in]	TD	TL	XH	XL
			[Y2]	[Y3]
1/8...1	0.25	0.5	0.38	0.76
1 1/4...2	0.25	0.5	0.38	1.38
2 1/2...3	0.25	0.5	0.38	2.01
3 1/2...4	0.25	0.5	0.38	2.63

Datasheet

Dimensions – piston diameter 2

Download CAD data → www.festo.com

[P] Single-acting, pulling (piston rod advanced by spring force)



+ = plus stroke length
 ++ = plus 2x stroke length

Stroke [in]	A	D1 ∅	D2 ∅	D3 ∅	D4 ∅	EE	G1	KK	
1/8...1	0.63	3.12	2.69	0.34	0.2	1/8 NPT	0.53	1/2-13 UNC	1/2-20 UNF
1 1/4...2	0.63	3.12	2.69	0.34	0.2	1/8 NPT	0.53	1/2-13 UNC	1/2-20 UNF
2 1/2; 3	0.63	3.12	2.69	0.34	0.2	1/8 NPT	0.53	1/2-13 UNC	1/2-20 UNF
3 1/2; 4	0.63	3.12	2.69	0.34	0.2	1/8 NPT	0.53	1/2-13 UNC	1/2-20 UNF

Stroke [in]	L8	MM ∅	PL1	T1	W1	W2	WH	ZJ	⊖ 1
1/8...1	1.44	0.75	0.25	0.22	45°	90°	0.13	1.57	0.63
1 1/4...2	2.06	0.75	0.25	0.22	45°	90°	0.13	2.19	0.63
2 1/2; 3	2.69	0.75	0.25	0.22	45°	90°	0.13	2.82	0.63
3 1/2; 4	–	0.75	0.25	0.22	45°	90°	0.13	–	0.63

Dimensions – piston diameter 2

Download CAD data → www.festo.com

[P] Single-acting, pulling (piston rod advanced by spring force)

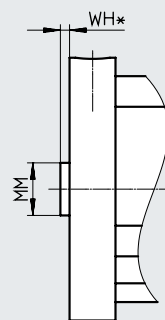
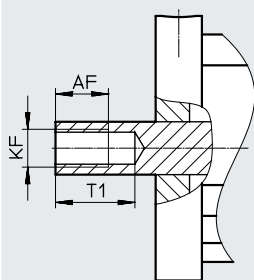
[P] Single-acting, pulling (piston rod advanced by spring force)

[F] Internal thread

[N] No thread

DPCB-...-F

DPCB-...-N



Stroke [in]	AF	KF		T1	MM ∅	WH
	[F]	[F]	[F]	[F]	[N]	[N]
1/8	0.3	1/2-13 UNC	1/2-20 UNF	0.45	0.75	0.13
1/4	0.4	1/2-13 UNC	1/2-20 UNF	0.562	0.75	0.13
3/8	0.53	1/2-13 UNC	1/2-20 UNF	1.0625	0.75	0.13
1/2	0.75	1/2-13 UNC	1/2-20 UNF	1.1875	0.75	0.13
5/8	0.75	1/2-13 UNC	1/2-20 UNF	1.3125	0.75	0.13
3/4	0.75	1/2-13 UNC	1/2-20 UNF	1	0.75	0.13
7/8...4	0.75	1/2-13 UNC	1/2-20 UNF	1.125	0.75	0.13

Datasheet

Dimensions – piston diameter 2

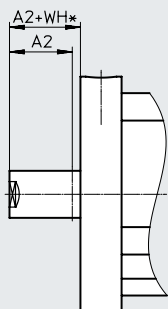
Download CAD data → www.festo.com

- [P] Single-acting, pulling (piston rod advanced by spring force)
- [NE] Piston rod extension

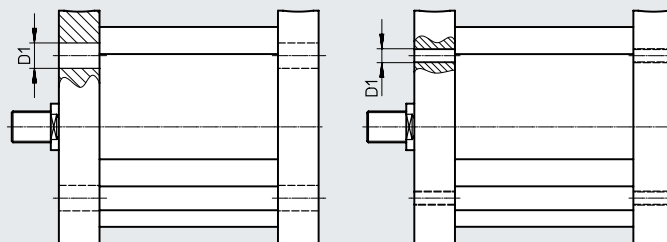
- [P] Single-acting, pulling (piston rod advanced by spring force)
- [CB] Through-holes, at both ends
- [MB] Mounting thread, at both ends

DPCB-...-CB

DPCB-...-MB



+ = plus stroke length

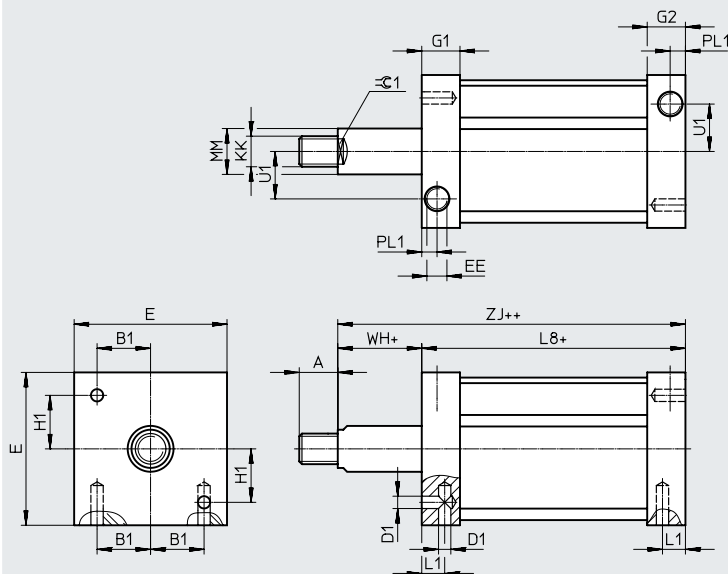


Stroke [in]	A2		WH	D1	D1
	min.	max.		∅	∅
1/8...4	0.001	6	0.13	[CB] 0.34	[MB] 10-24 UNC

Dimensions – piston diameter 2

Download CAD data → www.festo.com

- [P] Single-acting, pulling (piston rod advanced by spring force)
- [QX] Square cap geometry



+ = plus stroke length
 ++ = plus 2x stroke length

Stroke [in]	A	B1	D1 ∅	E	EE	G1	G2	H1	KK
1/8...4	0.63	0.88	1/4-20 UNC	2.5	1/8 NPT	0.63	0.63	0.88	1/2-13 UNC 1/2-20 UNF

Stroke [in]	L1	L8	MM ∅	PL1	U1	WH	ZJ	≈ 1
1/8...1	0.38	1.81	0.75	0.25	0.77	0.13	1.94	0.63
1 1/4...2	0.38	2.44	0.75	0.25	0.77	0.13	2.57	0.63
2 1/2...3	0.38	3.06	0.75	0.25	0.77	0.13	3.16	0.63
3 1/2...4	0.38	-	0.75	0.25	0.77	0.13	-	0.63

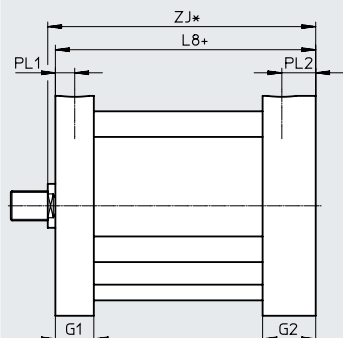
Datasheet

Dimensions – piston diameter 2

Download CAD data → www.festo.com

[P] Single-acting, pulling (piston rod advanced by spring force)

[V] Reinforced end cap



* = plus 2x stroke length

+ = plus stroke length

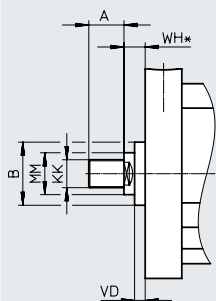
Stroke [in]	G1	G2	L8	PL1	PL2	ZJ
1/8...1	0.53	0.72	1.63	0.25	0.44	1.76
1 1/4...2	0.53	0.72	2.25	0.25	0.44	2.38
2 1/2; 3	0.53	0.72	2.88	0.25	0.44	3.01
3 1/2; 4	0.53	0.72	-	0.25	0.44	-

Dimensions – piston diameter 2

Download CAD data → www.festo.com

[P] Single-acting, pulling (piston rod advanced by spring force)

[A4] Scraper made of NBR



+ = plus stroke length

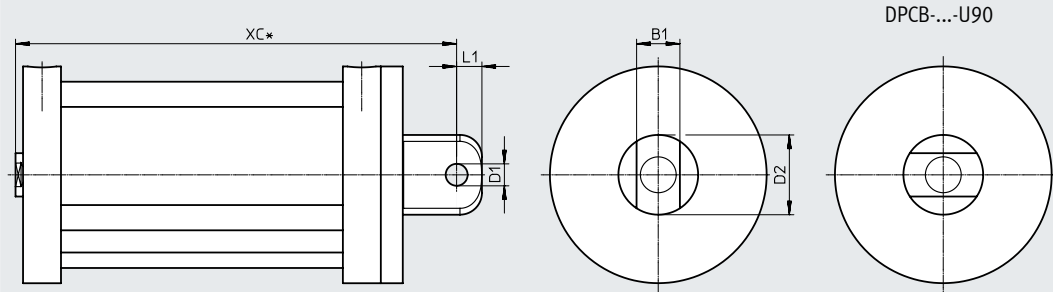
Stroke [in]	A	B	KK	MM ∅	WH	VD
1/8...4	0.63	1.13	1/2-13 UNC 1/2-20 UNF	0.75	0.38	0.19

Datasheet

Dimensions – piston diameter 2

Download CAD data → www.festo.com

- [P] Single-acting, pulling (piston rod advanced by spring force)
- [U] With swiveling rod eye
- [U90] With swiveling rod eye, rotated 90°



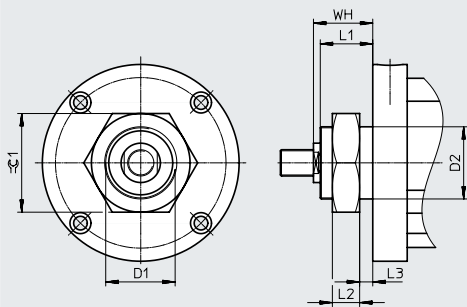
* = plus 2x stroke length

Stroke [in]	B1	D1 ∅	D2 ∅	L1	XC
1/8...1	0.75	0.38	1.38	0.44	2.82
1 1/4...2	0.75	0.38	1.38	0.44	3.44
2 1/2...3	0.75	0.38	1.38	0.44	4.07
3 1/2...4	0.75	0.38	1.38	0.44	–

Dimensions – piston diameter 2

Download CAD data → www.festo.com

- [P] Single-acting, pulling (piston rod advanced by spring force)
- [FT] Flange thread, front



Stroke [in]	D1	D2 ∅	L1	L2	L3	WH	⌀ 1
1/8...4	1 3/8-12 UNF-2A	1.38	0.88	0.52	0.19	1.01	1.88

Datasheet

Dimensions – piston diameter 2

Download CAD data → www.festo.com

[P] Single-acting, pulling (piston rod advanced by spring force)

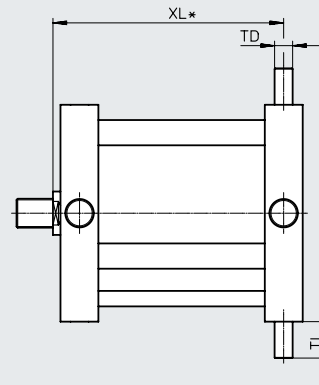
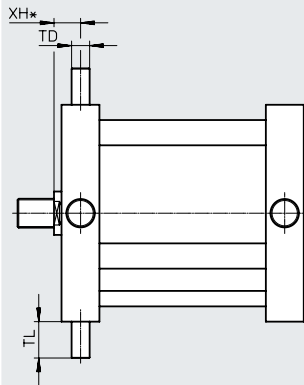
[P] Single-acting, pulling (piston rod advanced by spring force)

[Y2] Trunnion flange mounting position, front

[Y3] Trunnion flange mounting position, rear

DPCB-...-Y2

DPCB-...-Y3



XH* = plus stroke length

XL* = plus 2x stroke length

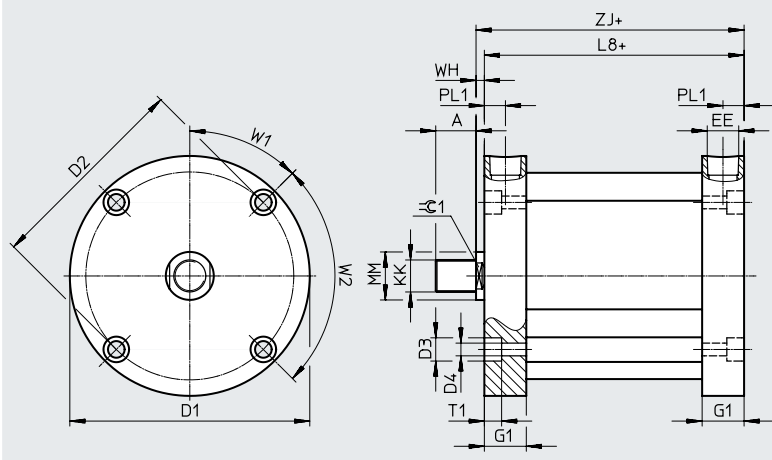
Stroke [in]	TD	TL	XH	XL
			[Y2]	[Y3]
1/8...1	0.25	0.5	0.38	1.32
1 1/4...2	0.25	0.5	0.38	1.94
2 1/2...3	0.25	0.5	0.38	2.57
3 1/2...4	0.25	0.5	0.38	-

Datasheet

Dimensions – piston diameter 2

Download CAD data → www.festo.com

[S] Single-acting, pushing (piston rod retracted by spring force)



Stroke [in]	A	D1 ∅	D2 ∅	D3 ∅	D4 ∅	EE	G1	KK	
1/8...1	0.63	3.12	2.69	0.34	0.2	1/8 NPT	0.53	1/2-13 UNC	1/2-20 UNF
1 1/4...2	0.63	3.12	2.69	0.34	0.2	1/8 NPT	0.53	1/2-13 UNC	1/2-20 UNF
2 1/2; 3	0.63	3.12	2.69	0.34	0.2	1/8 NPT	0.53	1/2-13 UNC	1/2-20 UNF
3 1/2; 4	0.63	3.12	2.69	0.34	0.2	1/8 NPT	0.53	1/2-13 UNC	1/2-20 UNF

Stroke [in]	L8	MM ∅	PL1	T1	W1	W2	WH	ZJ	≈ 1
1/8...1	0.94	0.75	0.25	0.22	45°	90°	0.13	1.07	0.63
1 1/4...2	1.56	0.75	0.25	0.22	45°	90°	0.13	1.69	0.63
2 1/2; 3	2.19	0.75	0.25	0.22	45°	90°	0.13	2.32	0.63
3 1/2; 4	2.81	0.75	0.25	0.22	45°	90°	0.13	2.94	0.63

Dimensions – piston diameter 2

Download CAD data → www.festo.com

[S] Single-acting, pushing (piston rod retracted by spring force)

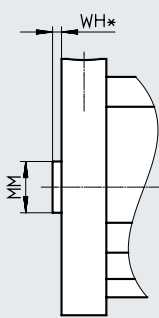
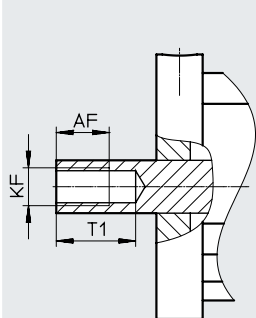
[S] Single-acting, pushing (piston rod retracted by spring force)

[F] Internal thread

[N] No thread

DPCB-...-F

DPCB-...-N



Stroke [in]	AF	KF		T1	MM ∅	WH
	[F]	[F]	[F]	[F]	[N]	[N]
1/8	0.3	1/2-13 UNC	1/2-20 UNF	0.45	0.75	0.13
1/4	0.4	1/2-13 UNC	1/2-20 UNF	0.562	0.75	0.13
3/8	0.53	1/2-13 UNC	1/2-20 UNF	1.0625	0.75	0.13
1/2	0.75	1/2-13 UNC	1/2-20 UNF	1.1875	0.75	0.13
5/8	0.75	1/2-13 UNC	1/2-20 UNF	1.3125	0.75	0.13
3/4	0.75	1/2-13 UNC	1/2-20 UNF	1	0.75	0.13
7/8...4	0.75	1/2-13 UNC	1/2-20 UNF	1.125	0.75	0.13

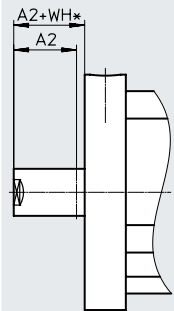
Datasheet

Dimensions – piston diameter 2

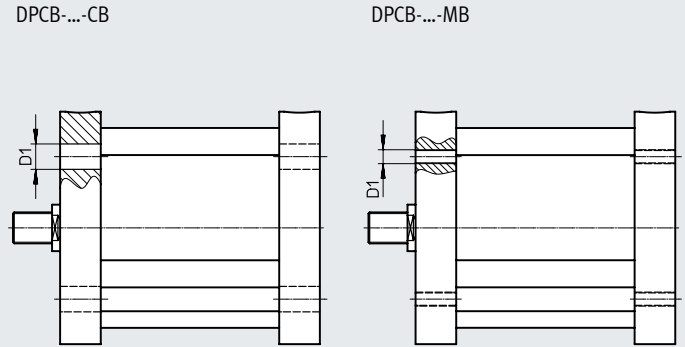
Download CAD data → www.festo.com

- [S] Single-acting, pushing (piston rod retracted by spring force)
- [NE] Piston rod extension

- [S] Single-acting, pushing (piston rod retracted by spring force)
- [CB] Through-holes, at both ends
- [MB] Mounting thread, at both ends



+ = plus stroke length

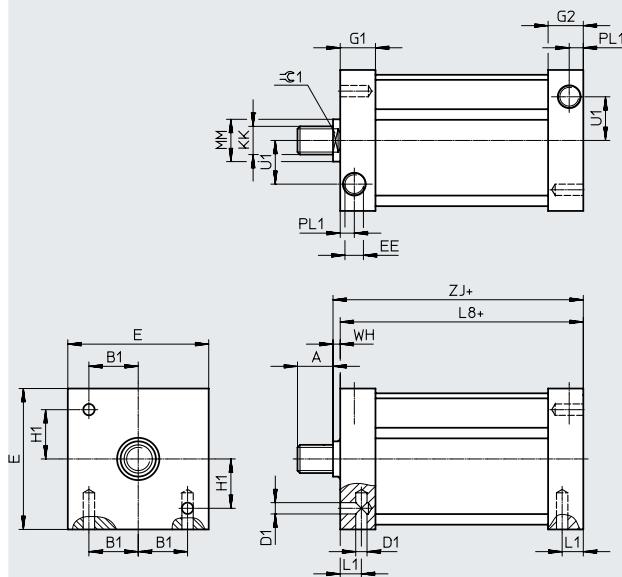


Stroke [in]	A2		WH	D1	D1
	min.	max.		∅	∅
1/8...4	0.001	6	0.13	[CB] 0.34	[MB] 10-24 UNC

Dimensions – piston diameter 2

Download CAD data → www.festo.com

- [S] Single-acting, pushing (piston rod retracted by spring force)
- [QX] Square cap geometry



+ = plus stroke length

Stroke [in]	A	B1	D1 ∅	E	EE	G1	G2	H1	KK	
1/8...4	0.63	0.88	1/4-20 UNC	2.5	1/8 NPT	0.63	0.63	0.88	1/2-13 UNC	1/2-20 UNF

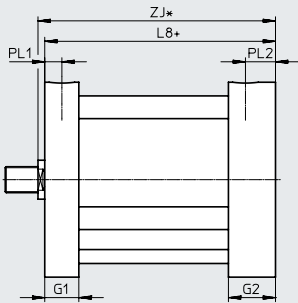
Stroke [in]	L1	L8	MM ∅	PL1	U1	WH	ZJ	∅ 1
1/8...1	0.38	1.31	0.75	0.25	0.77	0.13	1.44	0.63
1 1/4...2	0.38	1.94	0.75	0.25	0.77	0.13	2.07	0.63
2 1/2...3	0.38	2.56	0.75	0.25	0.77	0.13	2.69	0.63
3 1/2...4	0.38	3.19	0.75	0.25	0.77	0.13	3.32	0.63

Datasheet

Dimensions – piston diameter 2

Download CAD data → www.festo.com

- [S] Single-acting, pushing (piston rod retracted by spring force)
- [V] Reinforced end cap



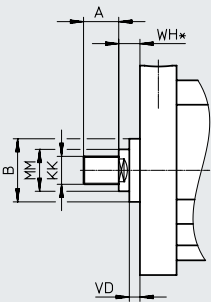
*/+ = plus stroke length

Stroke [in]	G1	G2	L8	PL1	PL2	ZJ
1/8...1	0.53	0.19	1.13	0.25	0.44	1.26
1 1/4...2	0.53	0.19	1.75	0.25	0.44	1.88
2 1/2; 3	0.53	0.19	2.38	0.25	0.44	2.51
3 1/2; 4	0.53	0.19	3	0.25	0.44	3.13

Dimensions – piston diameter 2

Download CAD data → www.festo.com

- [S] Single-acting, pushing (piston rod retracted by spring force)
- [A4] Scraper made of NBR



+ = plus stroke length

Stroke [in]	A	B	KK	MM ∅	WH	VD
1/8...4	0.63	1.13	1/2-13 UNC	1/2-20 UNF	0.38	0.19

Datasheet

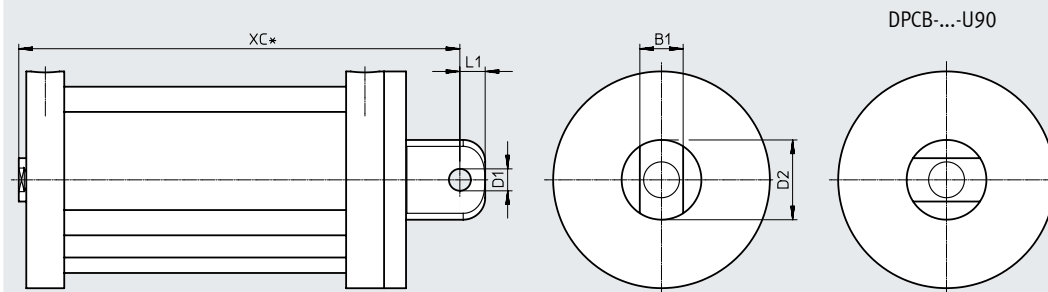
Dimensions – piston diameter 2

Download CAD data → www.festo.com

[S] Single-acting, pushing (piston rod retracted by spring force)

[U] With swiveling rod eye

[U90] With swiveling rod eye, rotated 90°



* = plus 2x stroke length

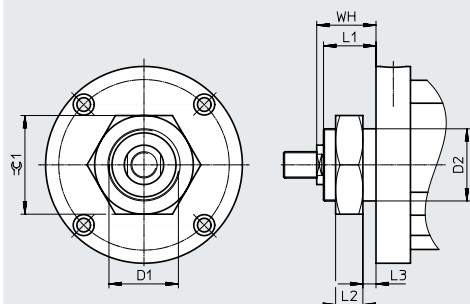
Stroke [in]	B1	D1 ∅	D2 ∅	L1	XC
1/8...1	0.75	0.38	1.38	0.44	2.32
1 1/4...2	0.75	0.38	1.38	0.44	2.94
2 1/2...3	0.75	0.38	1.38	0.44	3.57
3 1/2...4	0.75	0.38	1.38	0.44	4.19

Dimensions – piston diameter 2

Download CAD data → www.festo.com

[S] Single-acting, pushing (piston rod retracted by spring force)

[FT] Flange thread, front



Stroke [in]	D1	D2 ∅	L1	L2	L3	WH	⌀ 1
1/8...4	1 3/8-12 UNF-2A	1.38	0.88	0.52	0.19	1.01	1.88

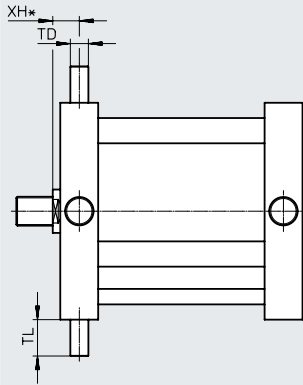
Datasheet

Dimensions – piston diameter 2

Download CAD data → www.festo.com

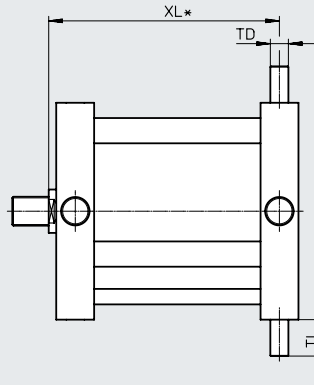
- [S] Single-acting, pushing (piston rod retracted by spring force)
- [Y2] Trunnion flange mounting position, front

DPCB-...-Y2



- [S] Single-acting, pushing (piston rod retracted by spring force)
- [Y3] Trunnion flange mounting position, rear

DPCB-...-Y3



XL* = plus 2x stroke length

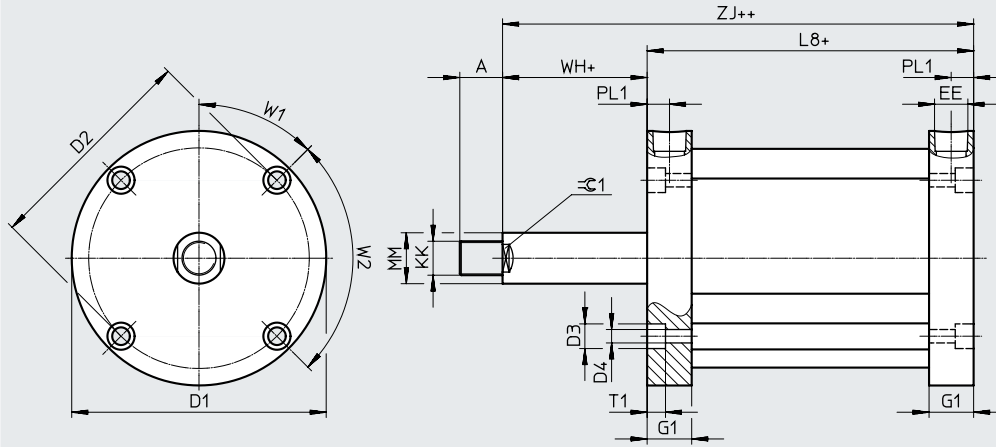
Stroke [in]	TD	TL	XH	XL
			[Y2]	[Y3]
1/8...1	0.25	0.5	0.38	0.82
1 1/4...2	0.25	0.5	0.38	1.44
2 1/2...3	0.25	0.5	0.38	2.07
3 1/2...4	0.25	0.5	0.38	2.69

Datasheet

Dimensions – piston diameter 2 1/2

Download CAD data → www.festo.com

[P] Single-acting, pulling (piston rod advanced by spring force)



+ = plus stroke length
 ++ = plus 2x stroke length

Stroke [in]	A	D1 ∅	D2 ∅	D3 ∅	D4 ∅	EE	G1	KK	
1/8...1	0.63	3.75	3.25	0.4	0.26	1/4 NPT	0.66	1/2-13 UNC	1/2-20 UNF
1 1/4...2	0.63	3.75	3.25	0.4	0.26	1/4 NPT	0.66	1/2-13 UNC	1/2-20 UNF
2 1/2; 3	0.63	3.75	3.25	0.4	0.26	1/4 NPT	0.66	1/2-13 UNC	1/2-20 UNF
3 1/2; 4	0.63	3.75	3.25	0.4	0.26	1/4 NPT	0.66	1/2-13 UNC	1/2-20 UNF

Stroke [in]	L8	MM ∅	PL1	T1	W1	W2	WH	ZJ	∠ 1
1/8...1	1.94	0.75	0.33	0.27	45°	90°	0.13	2.07	0.63
1 1/4...2	2.81	0.75	0.33	0.27	45°	90°	0.13	2.94	0.63
2 1/2; 3	2.81	0.75	0.33	0.27	45°	90°	0.13	2.94	0.63
3 1/2; 4	-	0.75	0.33	0.27	45°	90°	0.13	-	0.63

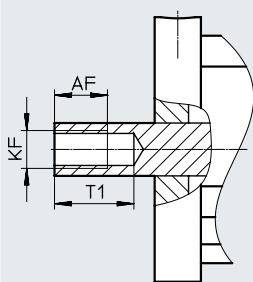
Dimensions – piston diameter 2 1/2

Download CAD data → www.festo.com

[P] Single-acting, pulling (piston rod advanced by spring force)

[F] Internal thread

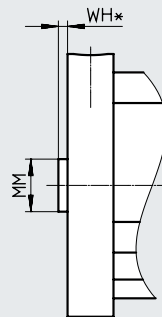
DPCB-...-F



[P] Single-acting, pulling (piston rod advanced by spring force)

[N] No thread

DPCB-...-N



Stroke [in]	AF	KF		T1	MM ∅	WH
	[F]	[F]	[F]	[F]	[N]	[N]
1/8	0.425	1/2-13 UNC	1/2-20 UNF	0.575	0.75	0.13
1/4	0.535	1/2-13 UNC	1/2-20 UNF	1.0625	0.75	0.13
3/8	0.645	1/2-13 UNC	1/2-20 UNF	1.1875	0.75	0.13
1/2	0.75	1/2-13 UNC	1/2-20 UNF	1.3125	0.75	0.13
5/8	0.75	1/2-13 UNC	1/2-20 UNF	1	0.75	0.13
3/4...4	0.75	1/2-13 UNC	1/2-20 UNF	1.125	0.75	0.13

Datasheet

Dimensions – piston diameter 2 1/2

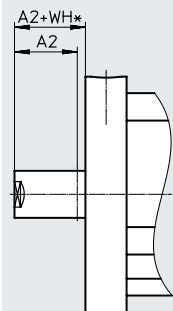
Download CAD data → www.festo.com

- [P] Single-acting, pulling (piston rod advanced by spring force)
- [NE] Piston rod extension

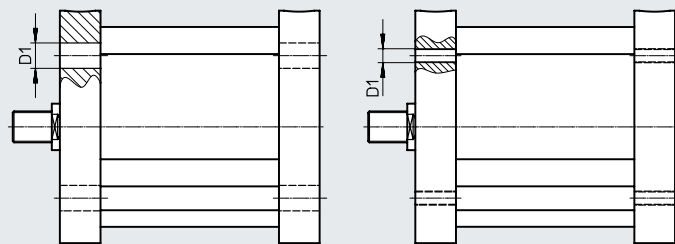
- [P] Single-acting, pulling (piston rod advanced by spring force)
- [CB] Through-holes, at both ends
- [MB] Mounting thread, at both ends

DPCB-...-CB

DPCB-...-MB



+ = plus stroke length

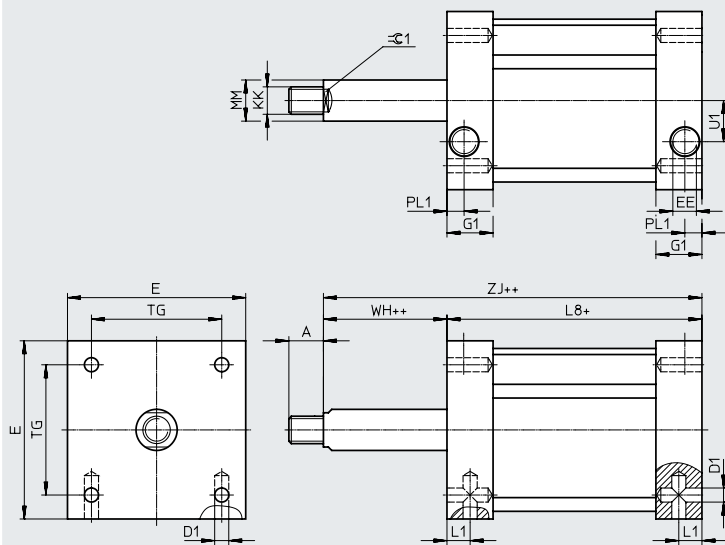


Stroke [in]	A2		WH	D1	D1
	min.	max.		∅	∅
1/8...4	0.001	6	0.13	[CB] 0.41	[MB] 1/4-20 UNC

Dimensions – piston diameter 2 1/2

Download CAD data → www.festo.com

- [P] Single-acting, pulling (piston rod advanced by spring force)
- [QX] Square cap geometry



+ = plus stroke length
++ = plus 2x stroke length

Stroke [in]	A	D1 ∅	E	EE	G1	KK	L1
1/8...4	0.63	5/16-18 UNC	3.25	1/4 NPT	0.84	1/2-13 UNC 1/2-20 UNF	0.42

Stroke [in]	L8	MM ∅	PL1	TG	U1	WH	ZJ	∅1
1/8...1	2.39	0.75	0.31	2.36	0.75	0.13	2.52	0.63
1 1/4...2	3.27	0.75	0.31	2.36	0.75	0.13	3.40	0.63
2 1/2...3	3.29	0.75	0.31	2.36	0.75	0.13	3.52	0.63
3 1/2...4	-	0.75	0.31	2.36	0.75	0.13	-	0.63

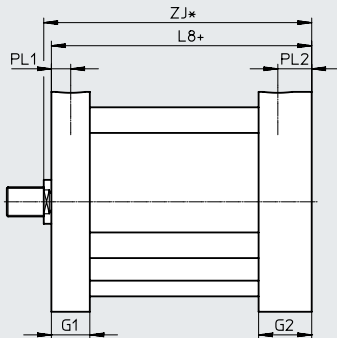
Datasheet

Dimensions – piston diameter 2 1/2

Download CAD data → www.festo.com

[P] Single-acting, pulling (piston rod advanced by spring force)

[V] Reinforced end cap



* = plus 2x stroke length

+ = plus stroke length

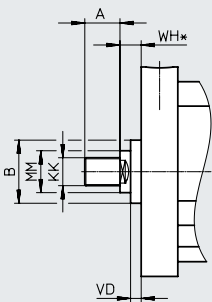
Stroke [in]	G1	G2	L8	PL1	PL2	ZJ
1/8...1	0.66	0.91	2.19	0.33	0.58	2.32
1 1/4...2	0.66	0.91	3.06	0.33	0.58	3.19
2 1/2; 3	0.66	0.91	3.06	0.33	0.58	3.19
3 1/2; 4	0.66	0.91	-	0.33	0.58	-

Dimensions – piston diameter 2 1/2

Download CAD data → www.festo.com

[P] Single-acting, pulling (piston rod advanced by spring force)

[A4] Scraper made of NBR



+ = plus stroke length

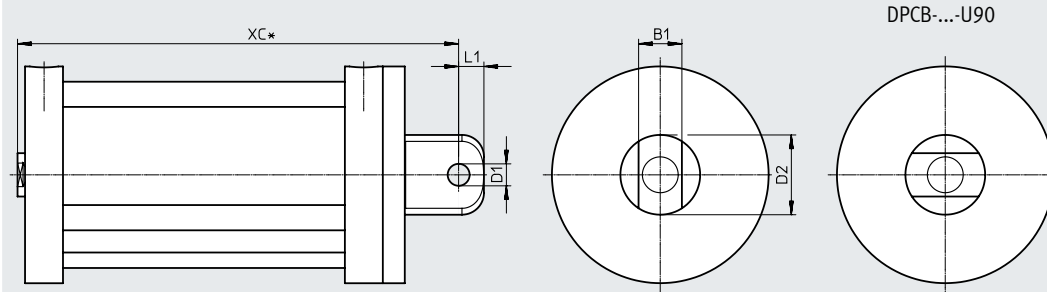
Stroke [in]	A	B	KK	MM ∅	WH	VD
1/8...4	0.63	1.13	1/2-13 UNC 1/2-20 UNF	0.75	0.38	0.19

Datasheet

Dimensions – piston diameter 2 1/2

Download CAD data → www.festo.com

- [P] Single-acting, pulling (piston rod advanced by spring force)
- [U] With swiveling rod eye
- [U90] With swiveling rod eye, rotated 90°



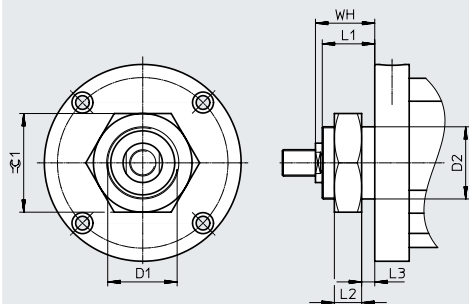
* = plus 2x stroke length

Stroke [in]	B1	D1 ∅	D2 ∅	L1	XC
1/8...1	0.75	0.38	1.38	0.44	3.38
1 1/4...2	0.75	0.38	1.38	0.44	4.25
2 1/2...3	0.75	0.38	1.38	0.44	4.25
3 1/2...4	0.75	0.38	1.38	0.44	–

Dimensions – piston diameter 2 1/2

Download CAD data → www.festo.com

- [P] Single-acting, pulling (piston rod advanced by spring force)
- [FT] Flange thread, front



Stroke [in]	D1	D2 ∅	L1	L2	L3	WH	⌀ 1
1/8...4	1 3/8-12 UNF-2A	1.38	1	0.52	0.25	1.13	1.88

Datasheet

Dimensions – piston diameter 2 1/2

Download CAD data → www.festo.com

[P] Single-acting, pulling (piston rod advanced by spring force)

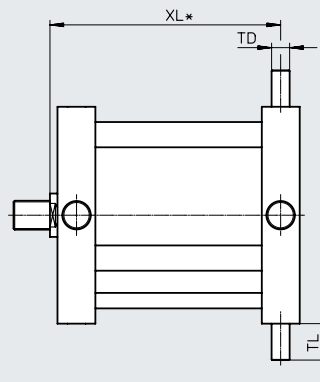
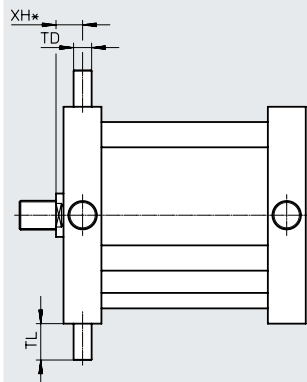
[P] Single-acting, pulling (piston rod advanced by spring force)

[Y2] Trunnion flange mounting position, front

[Y3] Trunnion flange mounting position, rear

DPCB-...-Y2

DPCB-...-Y3



XH* = plus stroke length

XL* = plus 2x stroke length

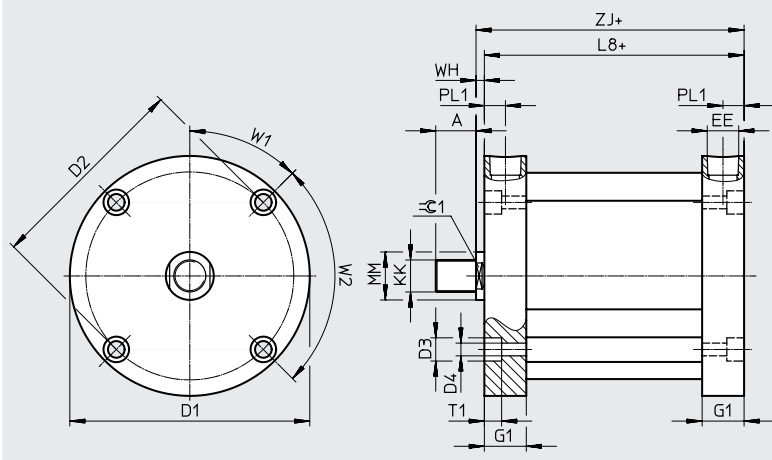
Stroke [in]	TD	TL	XH	XL
			[Y2]	[Y3]
1/8...1	0.312	0.63	0.46	1.74
1 1/4...2	0.312	0.63	0.46	2.61
2 1/2...3	0.312	0.63	0.46	2.61
3 1/2...4	0.312	0.63	0.46	-

Datasheet

Dimensions – piston diameter 2 1/2

Download CAD data → www.festo.com

[S] Single-acting, pushing (piston rod retracted by spring force)



Stroke [in]	A	D1 ∅	D2 ∅	D3 ∅	D4 ∅	EE	G1	KK	
1/8...1	0.63	3.75	3.25	0.4	0.26	1/4 NPT	0.66	1/2-13 UNC	1/2-20 UNF
1 1/4...2	0.63	3.75	3.25	0.4	0.26	1/4 NPT	0.66	1/2-13 UNC	1/2-20 UNF
2 1/2; 3	0.63	3.75	3.25	0.4	0.26	1/4 NPT	0.66	1/2-13 UNC	1/2-20 UNF
3 1/2; 4	0.63	3.75	3.25	0.4	0.26	1/4 NPT	0.66	1/2-13 UNC	1/2-20 UNF

Stroke [in]	L8	MM ∅	PL1	T1	W1	W2	WH	ZJ	≈ 1
1/8...1	1.19	0.75	0.33	0.27	45°	90°	0.13	1.32	0.63
1 1/4...2	2.06	0.75	0.33	0.27	45°	90°	0.13	2.19	0.63
2 1/2; 3	2.94	0.75	0.33	0.27	45°	90°	0.13	3.07	0.63
3 1/2; 4	3.81	0.75	0.33	0.27	45°	90°	0.13	3.94	0.63

Dimensions – piston diameter 2 1/2

Download CAD data → www.festo.com

[S] Single-acting, pushing (piston rod retracted by spring force)

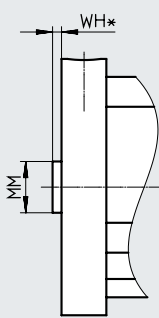
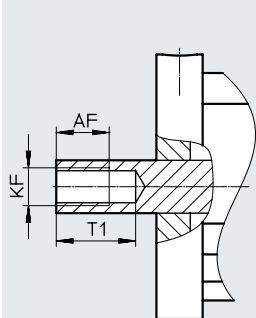
[S] Single-acting, pushing (piston rod retracted by spring force)

[F] Internal thread

[N] No thread

DPCB-...-F

DPCB-...-N



Stroke [in]	AF	KF		T1	MM ∅	WH
	[F]	[F]	[F]	[F]	[N]	[N]
1/8	0.425	1/2-13 UNC	1/2-20 UNF	0.575	0.75	0.13
1/4	0.535	1/2-13 UNC	1/2-20 UNF	1.0625	0.75	0.13
3/8	0.645	1/2-13 UNC	1/2-20 UNF	1.1875	0.75	0.13
1/2	0.75	1/2-13 UNC	1/2-20 UNF	1.3125	0.75	0.13
5/8	0.75	1/2-13 UNC	1/2-20 UNF	1	0.75	0.13
3/4...4	0.75	1/2-13 UNC	1/2-20 UNF	1.125	0.75	0.13

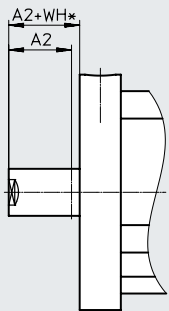
Datasheet

Dimensions – piston diameter 2 1/2

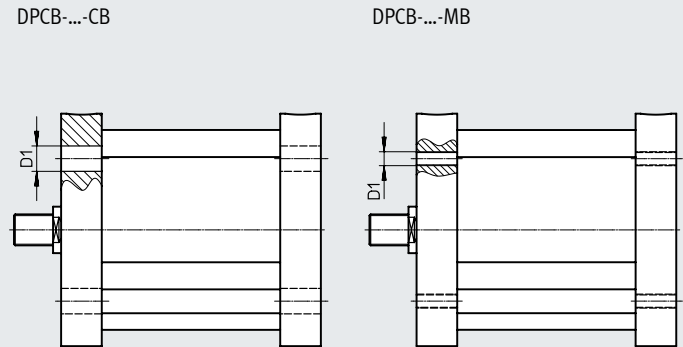
Download CAD data → www.festo.com

- [S] Single-acting, pushing (piston rod retracted by spring force)
- [NE] Piston rod extension

- [S] Single-acting, pushing (piston rod retracted by spring force)
- [CB] Through-holes, at both ends
- [MB] Mounting thread, at both ends



+ = plus stroke length

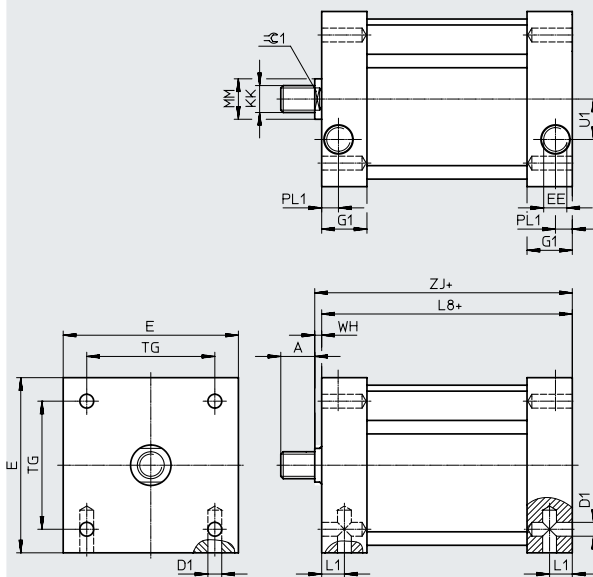


Stroke [in]	A2		WH	D1	D1
	min.	max.		∅	∅
1/8...4	0.001	6	0.13	[CB] 0.41	[MB] 1/4-20 UNC

Dimensions – piston diameter 2 1/2

Download CAD data → www.festo.com

- [S] Single-acting, pushing (piston rod retracted by spring force)
- [QX] Square cap geometry



+ = plus stroke length

Stroke [in]	A	D1 ∅	E	EE	G1	KK	L1
1/8...4	0.63	5/16-18 UNC	3.25	1/4 NPT	0.84	1/2-13 UNC 1/2-20 UNF	0.42

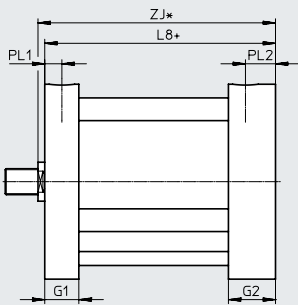
Stroke [in]	L8	MM ∅	PL1	TG	U1	WH	ZJ	∅1
1/8...1	1.66	0.75	0.31	2.36	0.75	0.13	1.79	0.63
1 1/4...2	2.54	0.75	0.31	2.36	0.75	0.13	2.67	0.63
2 1/2...3	3.41	0.75	0.31	2.36	0.75	0.13	3.54	0.63
3 1/2...4	4.29	0.75	0.31	2.36	0.75	0.13	4.42	0.63

Datasheet

Dimensions – piston diameter 2 1/2

Download CAD data → www.festo.com

- [S] Single-acting, pushing (piston rod retracted by spring force)
- [V] Reinforced end cap



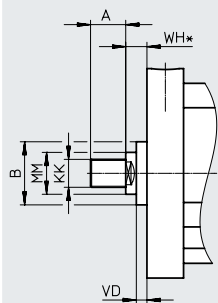
*/+ = plus stroke length

Stroke [in]	G1	G2	L8	PL1	PL2	ZJ
1/8...1	0.66	0.25	1.44	0.33	0.58	1.57
1 1/4...2	0.66	0.25	2.31	0.33	0.58	2.44
2 1/2; 3	0.66	0.25	3.19	0.33	0.58	3.32
3 1/2; 4	0.66	0.25	4.06	0.33	0.58	4.19

Dimensions – piston diameter 2 1/2

Download CAD data → www.festo.com

- [S] Single-acting, pushing (piston rod retracted by spring force)
- [A4] Scraper made of NBR



+ = plus stroke length

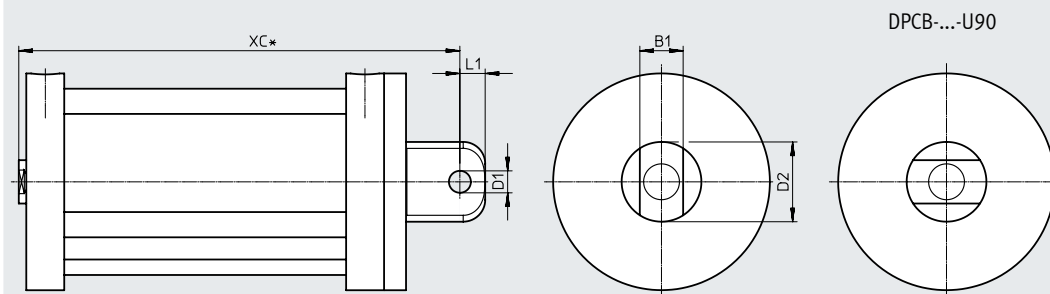
Stroke [in]	A	B	KK	MM ∅	WH	VD
1/8...4	0.63	1.13	1/2-13 UNC 1/2-20 UNF	0.75	0.38	0.19

Datasheet

Dimensions – piston diameter 2 1/2

Download CAD data → www.festo.com

- [S] Single-acting, pushing (piston rod retracted by spring force)
- [U] With swiveling rod eye
- [U90] With swiveling rod eye, rotated 90°



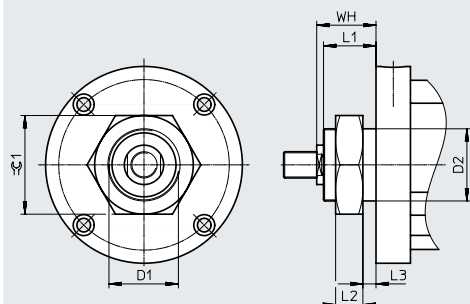
* = plus 2x stroke length

Stroke [in]	B1	D1 ∅	D2 ∅	L1	XC
1/8...1	0.75	0.38	1.38	0.44	2.63
1 1/4...2	0.75	0.38	1.38	0.44	3.5
2 1/2...3	0.75	0.38	1.38	0.44	4.38
3 1/2...4	0.75	0.38	1.38	0.44	5.25

Dimensions – piston diameter 2 1/2

Download CAD data → www.festo.com

- [S] Single-acting, pushing (piston rod retracted by spring force)
- [FT] Flange thread, front



Stroke [in]	D1	D2 ∅	L1	L2	L3	WH	⌀ 1
1/8...4	1 3/8-12 UNF-2A	1.38	1	0.52	0.25	1.13	1.88

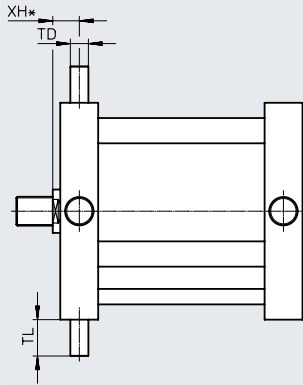
Datasheet

Dimensions – piston diameter 2 1/2

Download CAD data → www.festo.com

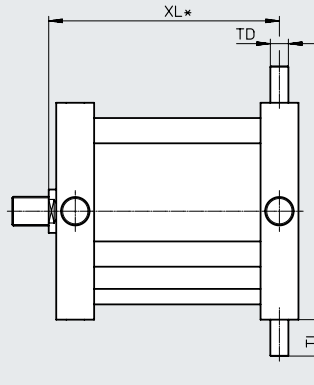
- [S] Single-acting, pushing (piston rod retracted by spring force)
- [Y2] Trunnion flange mounting position, front

DPCB-...-Y2



- [S] Single-acting, pushing (piston rod retracted by spring force)
- [Y3] Trunnion flange mounting position, rear

DPCB-...-Y3



XL* = plus 2x stroke length

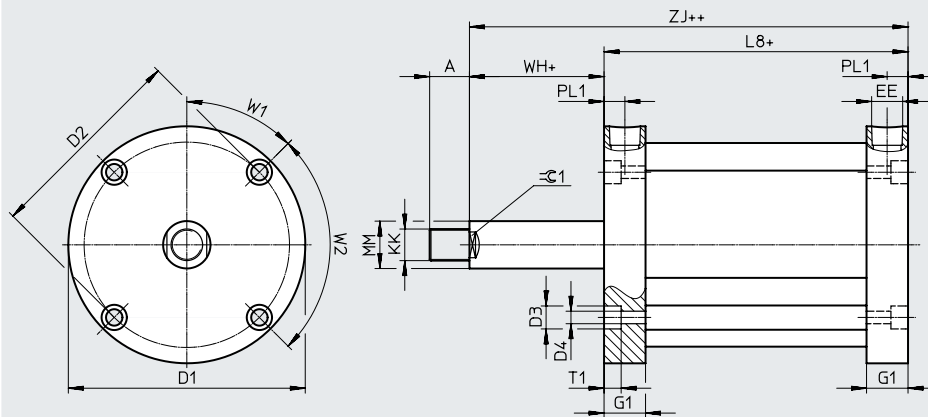
Stroke [in]	TD	TL	XH	XL
			[Y2]	[Y3]
1/8...1	0.312	0.63	0.46	0.99
1 1/4...2	0.312	0.63	0.46	1.86
2 1/2...3	0.312	0.63	0.46	2.74
3 1/2...4	0.312	0.63	0.46	3.61

Datasheet

Dimensions – piston diameter 3

Download CAD data → www.festo.com

[P] Single-acting, pulling (piston rod advanced by spring force)



+ = plus stroke length
++ = plus 2x stroke length

Stroke [in]	A	D1 ∅	D2 ∅	D3 ∅	D4 ∅	EE	G1	KK	
1/8...1	0.75	4.25	3.78	0.4	0.26	1/4 NPT	0.69	5/8-11 UNC	5/8-18 UNF
1 1/4...2	0.75	4.25	3.78	0.4	0.26	1/4 NPT	0.69	5/8-11 UNC	5/8-18 UNF
2 1/2; 3	0.75	4.25	3.78	0.4	0.26	1/4 NPT	0.69	5/8-11 UNC	5/8-18 UNF
3 1/2; 4	0.75	4.25	3.78	0.4	0.26	1/4 NPT	0.69	5/8-11 UNC	5/8-18 UNF

Stroke [in]	L8	MM ∅	PL1	T1	W1	W2	WH	ZJ	⊖ 1
1/8...1	2	0.88	0.33	0.27	45°	90°	0.13	2.13	0.75
1 1/4...2	2.88	0.88	0.33	0.27	45°	90°	0.13	3.01	0.75
2 1/2; 3	2.88	0.88	0.33	0.27	45°	90°	0.13	3.01	0.75
3 1/2; 4	–	0.88	0.33	0.27	45°	90°	0.13	–	0.75

Dimensions – piston diameter 3

Download CAD data → www.festo.com

[P] Single-acting, pulling (piston rod advanced by spring force)

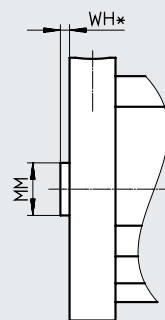
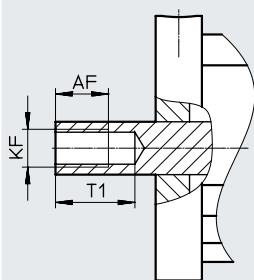
[P] Single-acting, pulling (piston rod advanced by spring force)

[F] Internal thread

[N] No thread

DPCB-...-F

DPCB-...-N



Stroke [in]	AF	KF		T1	MM ∅	WH
	[F]	[F]	[F]	[F]	[N]	[N]
1/8	0.45	5/8-11 UNC	5/8-18 UNF	0.6	0.88	0.13
1/4	0.5	5/8-11 UNC	5/8-18 UNF	0.725	0.88	0.13
3/8	0.625	5/8-11 UNC	5/8-18 UNF	0.85	0.88	0.13
1/2	0.75	5/8-11 UNC	5/8-18 UNF	0.975	0.88	0.13
5/8	0.8125	5/8-11 UNC	5/8-18 UNF	1.1	0.88	0.13
3/4	0.8125	5/8-11 UNC	5/8-18 UNF	1.225	0.88	0.13
7/8...4	0.8125	5/8-11 UNC	5/8-18 UNF	1.25	0.88	0.13

Datasheet

Dimensions – piston diameter 3

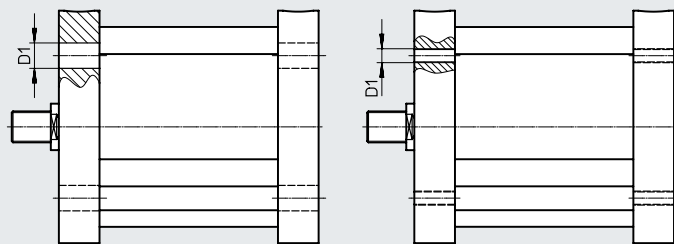
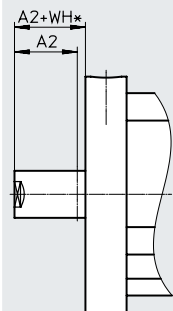
Download CAD data → www.festo.com

- [P] Single-acting, pulling (piston rod advanced by spring force)
- [NE] Piston rod extension

- [P] Single-acting, pulling (piston rod advanced by spring force)
- [CB] Through-holes, at both ends
- [MB] Mounting thread, at both ends

DPCB-...-CB

DPCB-...-MB



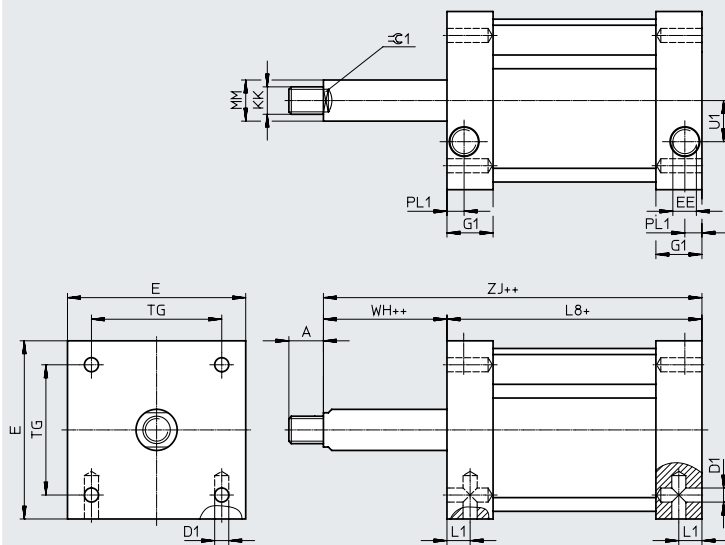
+ = plus stroke length

Stroke [in]	A2		WH	D1	D1
	min.	max.		∅	∅
1/8...4	0.001	6	0.13	[CB] 0.41	[MB] 1/4-20 UNC

Dimensions – piston diameter 3

Download CAD data → www.festo.com

- [P] Single-acting, pulling (piston rod advanced by spring force)
- [QX] Square cap geometry



+ = plus stroke length
++ = plus 2x stroke length

Stroke [in]	A	D1 ∅	E	EE	G1	KK	L1
1/8...4	0.75	5/16-18 UNC	3.75	1/4 NPT	0.88	5/8-11 UNC 5/8-18 UNF	0.44

Stroke [in]	L8	MM ∅	PL1	TG	U1	WH	ZJ	∅ 1
1/8...1	2.44	0.88	0.31	2.88	0.88	0.13	2.57	0.75
1 1/4...2	3.31	0.88	0.31	2.88	0.88	0.13	3.44	0.75
2 1/2...3	3.33	0.88	0.31	2.88	0.88	0.13	3.46	0.75
3 1/2...4	-	0.88	0.31	2.88	0.88	0.13	-	0.75

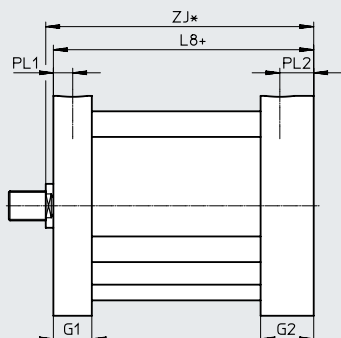
Datasheet

Dimensions – piston diameter 3

Download CAD data → www.festo.com

[P] Single-acting, pulling (piston rod advanced by spring force)

[V] Reinforced end cap



* = plus 2x stroke length

+ = plus stroke length

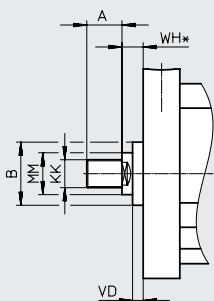
Stroke [in]	G1	G2	L8	PL1	PL2	ZJ
1/8...1	0.69	0.94	2.25	0.33	0.58	2.38
1 1/4...2	0.69	0.94	3.13	0.33	0.58	3.26
2 1/2; 3	0.69	0.94	3.13	0.33	0.58	3.26
3 1/2; 4	0.69	0.94	-	0.33	0.58	-

Dimensions – piston diameter 3

Download CAD data → www.festo.com

[P] Single-acting, pulling (piston rod advanced by spring force)

[A4] Scraper made of NBR



+ = plus stroke length

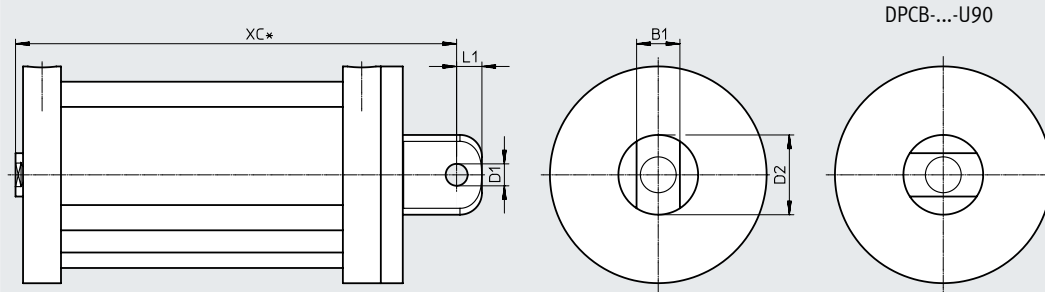
Stroke [in]	A	B	KK	MM ∅	WH	VD
1/8...4	0.75	1.25	5/8-11 UNC 5/8-18 UNF	0.88	0.38	0.19

Datasheet

Dimensions – piston diameter 3

Download CAD data → www.festo.com

- [P] Single-acting, pulling (piston rod advanced by spring force)
- [U] With swiveling rod eye
- [U90] With swiveling rod eye, rotated 90°



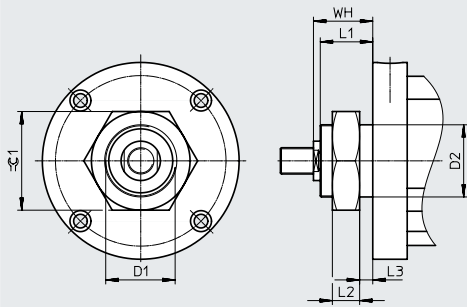
* = plus 2x stroke length

Stroke [in]	B1	D1 ∅	D2 ∅	L1	XC
1/8...1	1	0.63	1.88	0.56	3.82
1/4...2	1	0.63	1.88	0.56	4.7
2 1/2...3	1	0.63	1.88	0.56	4.7
3 1/2...4	1	0.63	1.88	0.56	–

Dimensions – piston diameter 3

Download CAD data → www.festo.com

- [P] Single-acting, pulling (piston rod advanced by spring force)
- [FT] Flange thread, front



Stroke [in]	D1	D2 ∅	L1	L2	L3	WH	⌀ 1
1/8...4	1 3/8-12 UNF-2A	1.38	1	0.52	0.25	1.13	1.88

Datasheet

Dimensions – piston diameter 3

Download CAD data → www.festo.com

[P] Single-acting, pulling (piston rod advanced by spring force)

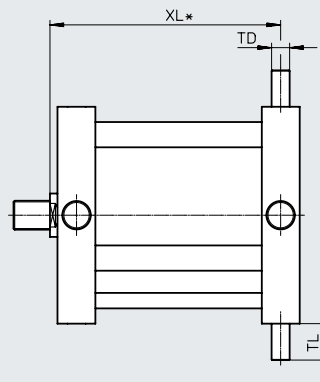
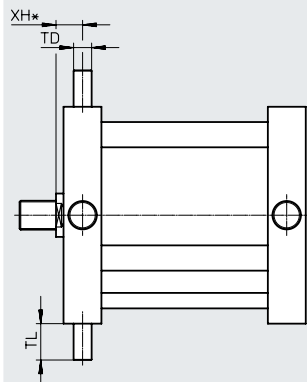
[P] Single-acting, pulling (piston rod advanced by spring force)

[Y2] Trunnion flange mounting position, front

[Y3] Trunnion flange mounting position, rear

DPCB-...-Y2

DPCB-...-Y3



XH* = plus stroke length

XL* = plus 2x stroke length

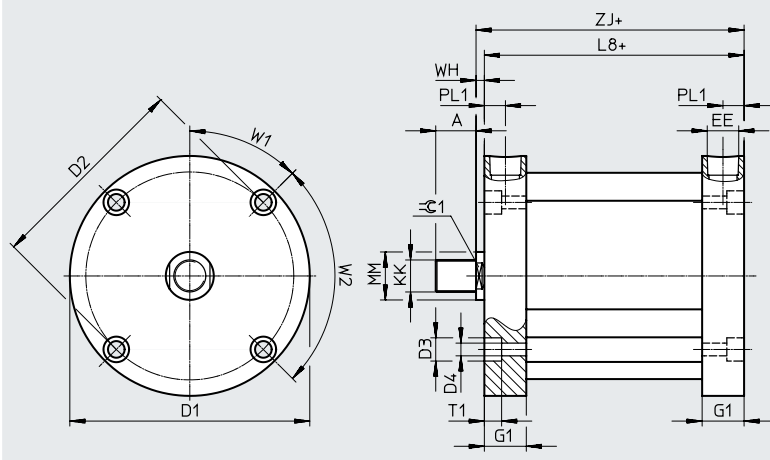
Stroke [in]	TD	TL	XH	XL
			[Y2]	[Y3]
1/8...1	0.312	0.63	0.46	1.9
1 1/4...2	0.312	0.63	0.46	2.68
2 1/2...3	0.312	0.63	0.46	2.68
3 1/2...4	0.312	0.63	0.46	-

Datasheet

Dimensions – piston diameter 3

Download CAD data → www.festo.com

[S] Single-acting, pushing (piston rod retracted by spring force)



Stroke [in]	A	D1 ∅	D2 ∅	D3 ∅	D4 ∅	EE	G1	KK	
1/8...1	0.75	4.25	3.78	0.4	0.26	1/4 NPT	0.69	5/8-11 UNC	5/8-18 UNF
1 1/4...2	0.75	4.25	3.78	0.4	0.26	1/4 NPT	0.69	5/8-11 UNC	5/8-18 UNF
2 1/2; 3	0.75	4.25	3.78	0.4	0.26	1/4 NPT	0.69	5/8-11 UNC	5/8-18 UNF
3 1/2; 4	0.75	4.25	3.78	0.4	0.26	1/4 NPT	0.69	5/8-11 UNC	5/8-18 UNF

Stroke [in]	L8	MM ∅	PL1	T1	W1	W2	WH	ZJ	≈ 1
1/8...1	1.25	0.88	0.33	0.27	45°	90°	0.13	1.38	0.75
1 1/4...2	2.12	0.88	0.33	0.27	45°	90°	0.13	2.25	0.75
2 1/2; 3	3	0.88	0.33	0.27	45°	90°	0.13	3.13	0.75
3 1/2; 4	3.88	0.88	0.33	0.27	45°	90°	0.13	4.01	0.75

Dimensions – piston diameter 3

Download CAD data → www.festo.com

[S] Single-acting, pushing (piston rod retracted by spring force)

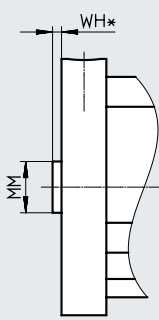
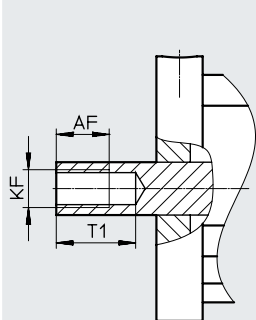
[S] Single-acting, pushing (piston rod retracted by spring force)

[F] Internal thread

[N] No thread

DPCB-...-F

DPCB-...-N



Stroke [in]	AF	KF		T1	MM ∅	WH
	[F]	[F]	[F]	[F]	[N]	[N]
1/8	0.45	5/8-11 UNC	5/8-18 UNF	0.6	0.88	0.13
1/4	0.5	5/8-11 UNC	5/8-18 UNF	0.725	0.88	0.13
3/8	0.625	5/8-11 UNC	5/8-18 UNF	0.85	0.88	0.13
1/2	0.75	5/8-11 UNC	5/8-18 UNF	0.975	0.88	0.13
5/8	0.8125	5/8-11 UNC	5/8-18 UNF	1.1	0.88	0.13
3/4	0.8125	5/8-11 UNC	5/8-18 UNF	1.225	0.88	0.13
7/8...4	0.8125	5/8-11 UNC	5/8-18 UNF	1.25	0.88	0.13

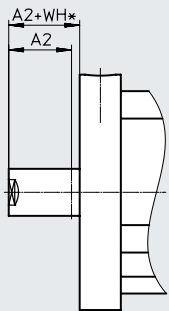
Datasheet

Dimensions – piston diameter 3

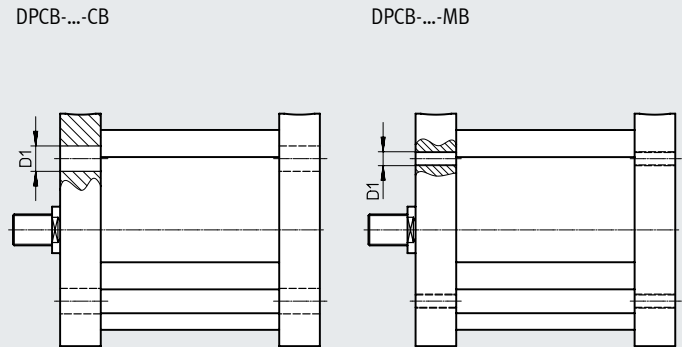
Download CAD data → www.festo.com

- [S] Single-acting, pushing (piston rod retracted by spring force)
- [NE] Piston rod extension

- [S] Single-acting, pushing (piston rod retracted by spring force)
- [CB] Through-holes, at both ends
- [MB] Mounting thread, at both ends



+ = plus stroke length

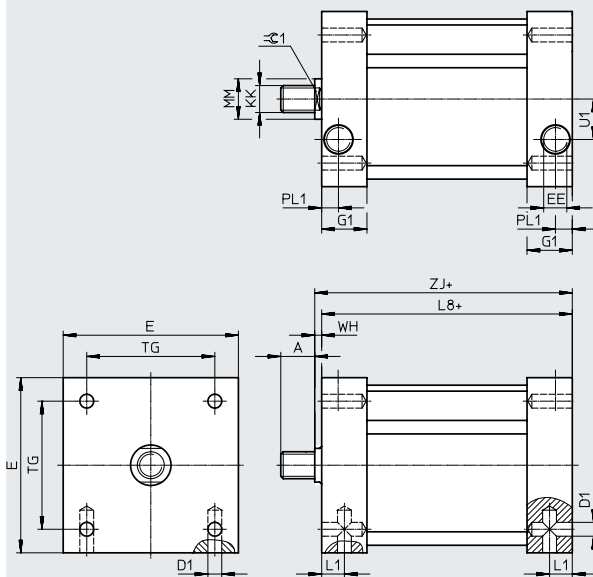


Stroke [in]	A2		WH	D1	D1
	min.	max.		∅	∅
1/8...4	0.001	6	0.13	[CB] 0.41	[MB] 1/4-20 UNC

Dimensions – piston diameter 3

Download CAD data → www.festo.com

- [S] Single-acting, pushing (piston rod retracted by spring force)
- [QX] Square cap geometry



+ = plus stroke length

Stroke [in]	A	D1 ∅	E	EE	G1	KK	L1
1/8...4	0.75	5/16-18 UNC	3.75	1/4 NPT	0.88	5/8-11 UNC 5/8-18 UNF	0.44

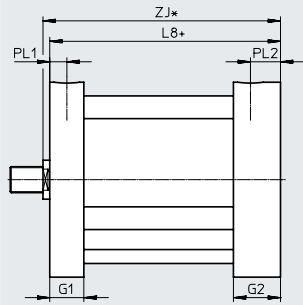
Stroke [in]	L8	MM ∅	PL1	TG	U1	WH	ZJ	∅ 1
1/8...1	1.71	0.88	0.31	2.88	0.88	0.13	1.84	0.75
1/4...2	2.58	0.88	0.31	2.88	0.88	0.13	2.71	0.75
2 1/2...3	3.46	0.88	0.31	2.88	0.88	0.13	3.59	0.75
3 1/2...4	4.33	0.88	0.31	2.88	0.88	0.13	4.46	0.75

Datasheet

Dimensions – piston diameter 3

Download CAD data → www.festo.com

- [S] Single-acting, pushing (piston rod retracted by spring force)
- [V] Reinforced end cap



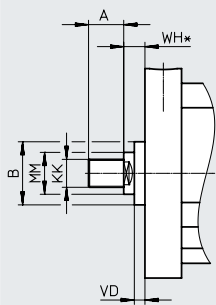
*/+ = plus stroke length

Stroke [in]	G1	G2	L8	PL1	PL2	ZJ
1/8...1	0.69	0.25	1.5	0.33	0.58	1.63
1 1/4...2	0.69	0.25	2.37	0.33	0.58	2.5
2 1/2; 3	0.69	0.25	3.25	0.33	0.58	3.38
3 1/2; 4	0.69	0.25	4.13	0.33	0.58	4.26

Dimensions – piston diameter 3

Download CAD data → www.festo.com

- [S] Single-acting, pushing (piston rod retracted by spring force)
- [A4] Scraper made of NBR



+ = plus stroke length

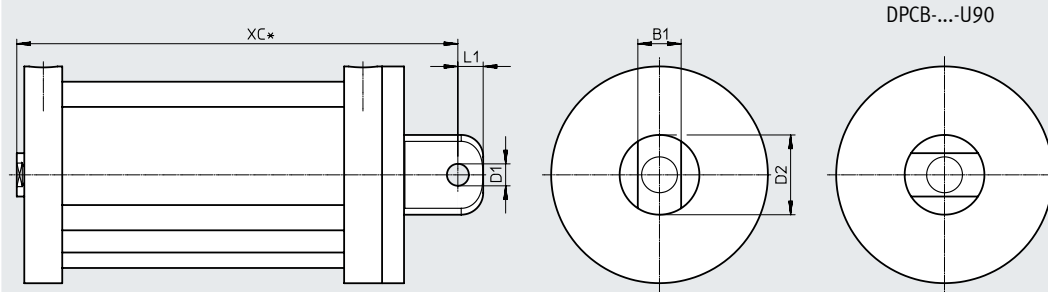
Stroke [in]	A	B	KK	MM ∅	WH	VD
1/8...4	0.75	1.25	5/8-11 UNC 5/8-18 UNF	0.88	0.38	0.19

Datasheet

Dimensions – piston diameter 3

Download CAD data → www.festo.com

- [S] Single-acting, pushing (piston rod retracted by spring force)
- [U] With swiveling rod eye
- [U90] With swiveling rod eye, rotated 90°



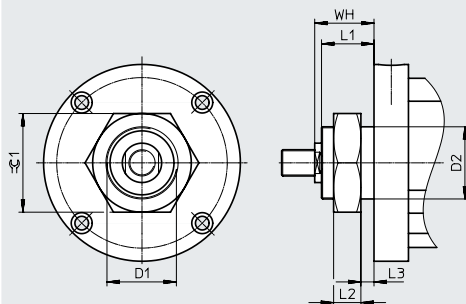
* = plus 2x stroke length

Stroke [in]	B1	D1 ∅	D2 ∅	L1	XC
1/8...1	1	0.63	1.88	0.56	3.07
1/4...2	1	0.63	1.88	0.56	3.94
2 1/2...3	1	0.63	1.88	0.56	4.82
3 1/2...4	1	0.63	1.88	0.56	5.7

Dimensions – piston diameter 3

Download CAD data → www.festo.com

- [S] Single-acting, pushing (piston rod retracted by spring force)
- [FT] Flange thread, front



Stroke [in]	D1	D2 ∅	L1	L2	L3	WH	⌀ 1
1/8...4	1 3/8-12 UNF-2A	1.38	1	0.52	0.25	1.13	1.88

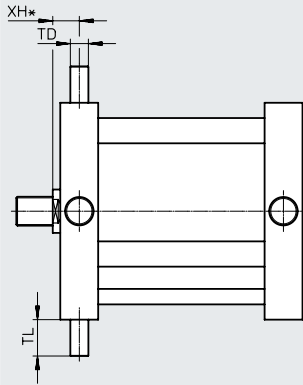
Datasheet

Dimensions – piston diameter 3

Download CAD data → www.festo.com

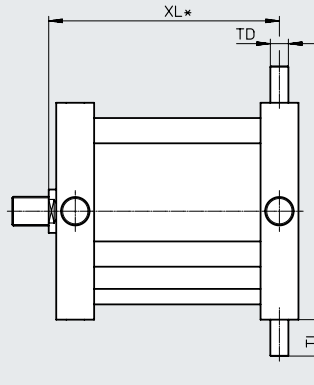
- [S] Single-acting, pushing (piston rod retracted by spring force)
- [Y2] Trunnion flange mounting position, front

DPCB-...-Y2



- [S] Single-acting, pushing (piston rod retracted by spring force)
- [Y3] Trunnion flange mounting position, rear

DPCB-...-Y3



XL* = plus 2x stroke length

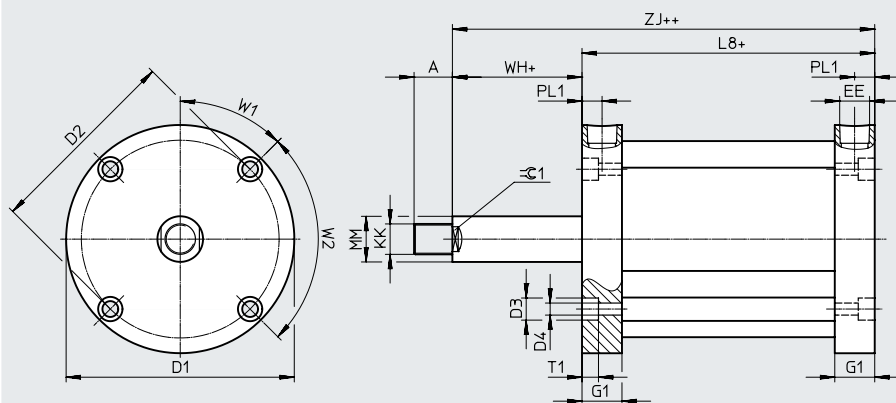
Stroke [in]	TD	TL	XH	XL
			[Y2]	[Y3]
1/8...1	0.312	0.63	0.46	1.05
1 1/4...2	0.312	0.63	0.46	1.92
2 1/2...3	0.312	0.63	0.46	2.8
3 1/2...4	0.312	0.63	0.46	3.68

Datasheet

Dimensions – piston diameter 4

Download CAD data → www.festo.com

[P] Single-acting, pulling (piston rod advanced by spring force)



+ = plus stroke length
++ = plus 2x stroke length

Stroke [in]	A	D1 ∅	D2 ∅	D3 ∅	D4 ∅	EE	G1	KK	
1/8...1	0.75	5.5	4.94	0.49	0.33	3/8 NPT	0.84	3/4-10 UNC	3/4-16 UNF
1 1/4...2	0.75	5.5	4.94	0.49	0.33	3/8 NPT	0.84	3/4-10 UNC	3/4-16 UNF
2 1/2; 3	0.75	5.5	4.94	0.49	0.33	3/8 NPT	0.84	3/4-10 UNC	3/4-16 UNF
3 1/2; 4	0.75	5.5	4.94	0.49	0.33	3/8 NPT	0.84	3/4-10 UNC	3/4-16 UNF

Stroke [in]	L8	MM ∅	PL1	T1	W1	W2	WH	ZJ	≈∠ 1
1/8...1	2.31	1	0.42	0.33	45°	90°	0.13	2.44	0.88
1 1/4...2	3.19	1	0.42	0.33	45°	90°	0.13	3.32	0.88
2 1/2; 3	3.19	1	0.42	0.33	45°	90°	0.13	3.32	0.88
3 1/2; 4	–	1	0.42	0.33	45°	90°	0.13	–	0.88

Dimensions – piston diameter 4

Download CAD data → www.festo.com

[P] Single-acting, pulling (piston rod advanced by spring force)

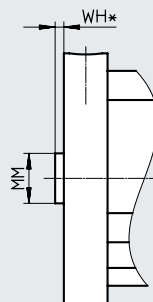
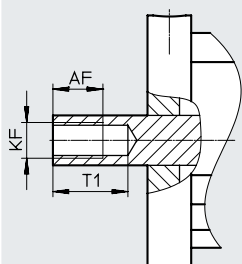
[P] Single-acting, pulling (piston rod advanced by spring force)

[F] Internal thread

[N] No thread

DPCB-...-F

DPCB-...-N



Stroke [in]	AF	KF		T1	MM ∅	WH
	[F]	[F]	[F]	[F]	[N]	[N]
1/8	0.4	3/4-10 UNC	3/4-16 UNF	0.54	1	0.13
1/4	0.45	3/4-10 UNC	3/4-16 UNF	0.625	1	0.13
3/8	0.575	3/4-10 UNC	3/4-16 UNF	0.75	1	0.13
1/2	0.7	3/4-10 UNC	3/4-16 UNF	0.875	1	0.13
5/8	0.825	3/4-10 UNC	3/4-16 UNF	1	1	0.13
3/4	0.875	3/4-10 UNC	3/4-16 UNF	1.125	1	0.13
7/8	0.875	3/4-10 UNC	3/4-16 UNF	1.25	1	0.13
1...4	0.875	3/4-10 UNC	3/4-16 UNF	1.375	1	0.13

Datasheet

Dimensions – piston diameter 4

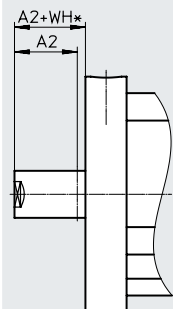
Download CAD data → www.festo.com

- [P] Single-acting, pulling (piston rod advanced by spring force)
- [NE] Piston rod extension

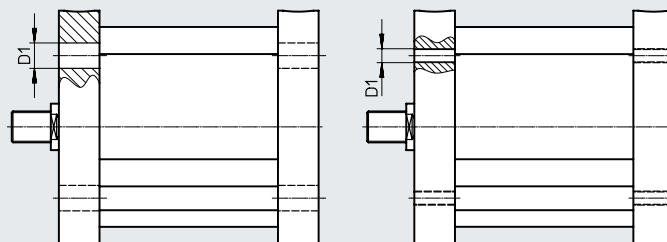
- [P] Single-acting, pulling (piston rod advanced by spring force)
- [CB] Through-holes, at both ends
- [MB] Mounting thread, at both ends

DPCB-...-CB

DPCB-...-MB



+ = plus stroke length

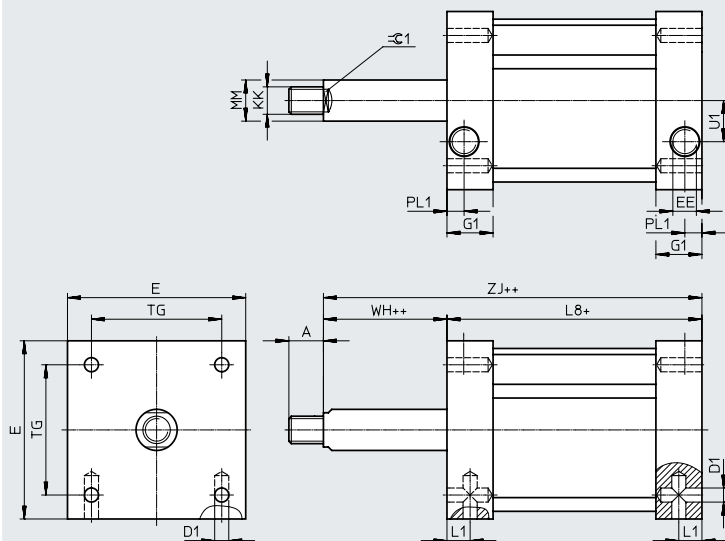


Stroke [in]	A2		WH	D1	D1
	min.	max.		∅	∅
1/8...4	0.001	6	0.13	[CB] 0.5	[MB] 5/16-18 UNC

Dimensions – piston diameter 4

Download CAD data → www.festo.com

- [P] Single-acting, pulling (piston rod advanced by spring force)
- [QX] Square cap geometry



+ = plus stroke length
 ++ = plus 2x stroke length

Stroke [in]	A	D1 ∅	E	EE	G1	KK	L1
1/8...4	0.75	7/16-14 UNC	5	3/8 NPT	1	3/4-10 UNC	3/4-16 UNF

Stroke [in]	L8	MM ∅	PL1	TG	U1	WH	ZJ	∅1
1/8...1	2.75	1	0.44	3.62	1.25	0.13	2.88	0.88
1 1/4...2	3.62	1	0.44	3.62	1.25	0.13	3.75	0.88
2 1/2...3	3.63	1	0.44	3.62	1.25	0.13	3.76	0.88
3 1/2...4	-	1	0.44	3.62	1.25	0.13	-	0.88

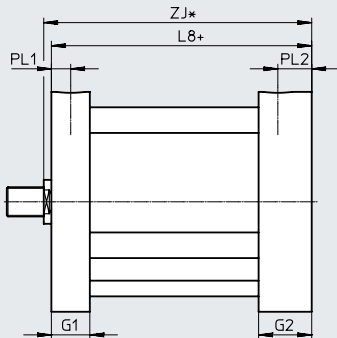
Datasheet

Dimensions – piston diameter 4

Download CAD data → www.festo.com

[P] Single-acting, pulling (piston rod advanced by spring force)

[V] Reinforced end cap



* = plus 2x stroke length

+ = plus stroke length

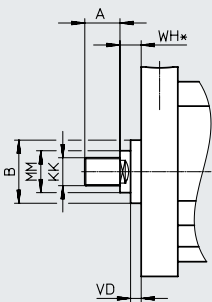
Stroke [in]	G1	G2	L8	PL1	PL2	ZJ
1/8...1	0.84	1.22	2.69	0.42	0.8	2.82
1 1/4...2	0.84	1.22	3.57	0.42	0.8	3.7
2 1/2; 3	0.84	1.22	3.57	0.42	0.8	3.7
3 1/2; 4	0.84	1.22	-	0.42	0.8	-

Dimensions – piston diameter 4

Download CAD data → www.festo.com

[P] Single-acting, pulling (piston rod advanced by spring force)

[A4] Scraper made of NBR



+ = plus stroke length

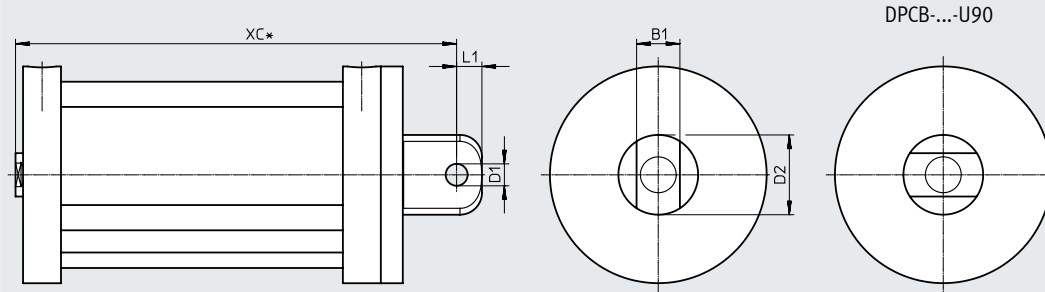
Stroke [in]	A	B	KK	MM ∅	WH	VD
1/8...4	0.75	1.38	3/4-10 UNC 3/4-16 UNF	1	0.38	0.19

Datasheet

Dimensions – piston diameter 4

Download CAD data → www.festo.com

- [P] Single-acting, pulling (piston rod advanced by spring force)
- [U] With swiveling rod eye
- [U90] With swiveling rod eye, rotated 90°



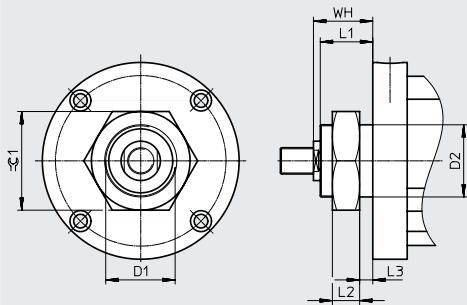
* = plus 2x stroke length

Stroke [in]	B1	D1 ∅	D2 ∅	L1	XC
1/8...1	1	0.63	1.88	0.56	4.19
1/4...2	1	0.63	1.88	0.56	5.07
2 1/2...3	1	0.63	1.88	0.56	5.07
3 1/2...4	1	0.63	1.88	0.56	–

Dimensions – piston diameter 4

Download CAD data → www.festo.com

- [P] Single-acting, pulling (piston rod advanced by spring force)
- [FT] Flange thread, front



Stroke [in]	D1	D2 ∅	L1	L2	L3	WH	⌀ 1
1/8...4	1 3/4-12 UNF-2A	1.75	1.12	0.88	0.19	1.25	2.62

Datasheet

Dimensions – piston diameter 4

Download CAD data → www.festo.com

[P] Single-acting, pulling (piston rod advanced by spring force)

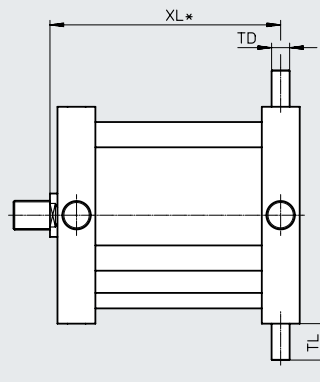
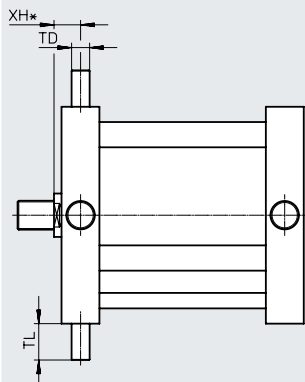
[P] Single-acting, pulling (piston rod advanced by spring force)

[Y2] Trunnion flange mounting position, front

[Y3] Trunnion flange mounting position, rear

DPCB-...-Y2

DPCB-...-Y3



XH* = plus stroke length

XL* = plus 2x stroke length

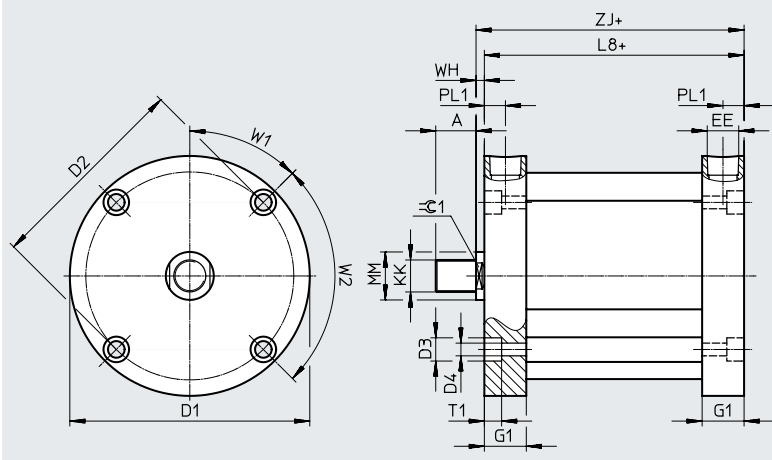
Stroke [in]	TD	TL	XH	XL
			[Y2]	[Y3]
1/8...1	0.375	0.75	0.55	2.02
1 1/4...2	0.375	0.75	0.55	2.9
2 1/2...3	0.375	0.75	0.55	2.9
3 1/2...4	0.375	0.75	0.55	-

Datasheet

Dimensions – piston diameter 4

Download CAD data → www.festo.com

[S] Single-acting, pushing (piston rod retracted by spring force)



Stroke [in]	A	D1 ∅	D2 ∅	D3 ∅	D4 ∅	EE	G1	KK	
1/8...1	0.75	5.5	4.94	0.49	0.33	3/8 NPT	0.84	3/4-10 UNC	3/4-16 UNF
1 1/4...2	0.75	5.5	4.94	0.49	0.33	3/8 NPT	0.84	3/4-10 UNC	3/4-16 UNF
2 1/2; 3	0.75	5.5	4.94	0.49	0.33	3/8 NPT	0.84	3/4-10 UNC	3/4-16 UNF
3 1/2; 4	0.75	5.5	4.94	0.49	0.33	3/8 NPT	0.84	3/4-10 UNC	3/4-16 UNF

Stroke [in]	L8	MM ∅	PL1	T1	W1	W2	WH	ZJ	≈ 1
1/8...1	1.56	1	0.42	0.33	45°	90°	0.13	1.69	0.88
1 1/4...2	2.44	1	0.42	0.33	45°	90°	0.13	2.57	0.88
2 1/2; 3	3.31	1	0.42	0.33	45°	90°	0.13	3.44	0.88
3 1/2; 4	4.19	1	0.42	0.33	45°	90°	0.13	4.32	0.88

Dimensions – piston diameter 4

Download CAD data → www.festo.com

[S] Single-acting, pushing (piston rod retracted by spring force)

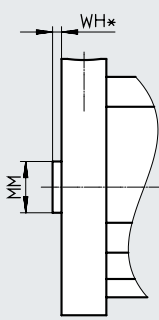
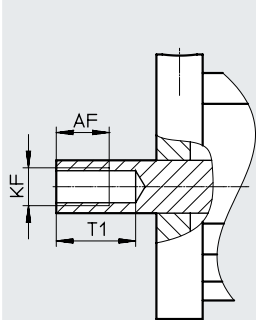
[S] Single-acting, pushing (piston rod retracted by spring force)

[F] Internal thread

[N] No thread

DPCB-...-F

DPCB-...-N



Stroke [in]	AF	KF		T1	MM ∅	WH
	[F]	[F]	[F]	[F]	[N]	[N]
1/8	0.4	3/4-10 UNC	3/4-16 UNF	0.54	1	0.13
1/4	0.45	3/4-10 UNC	3/4-16 UNF	0.625	1	0.13
3/8	0.575	3/4-10 UNC	3/4-16 UNF	0.75	1	0.13
1/2	0.7	3/4-10 UNC	3/4-16 UNF	0.875	1	0.13
5/8	0.825	3/4-10 UNC	3/4-16 UNF	1	1	0.13
3/4	0.875	3/4-10 UNC	3/4-16 UNF	1.125	1	0.13
7/8	0.875	3/4-10 UNC	3/4-16 UNF	1.25	1	0.13
1...4	0.875	3/4-10 UNC	3/4-16 UNF	1.375	1	0.13

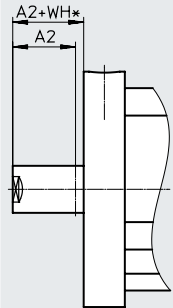
Datasheet

Dimensions – piston diameter 4

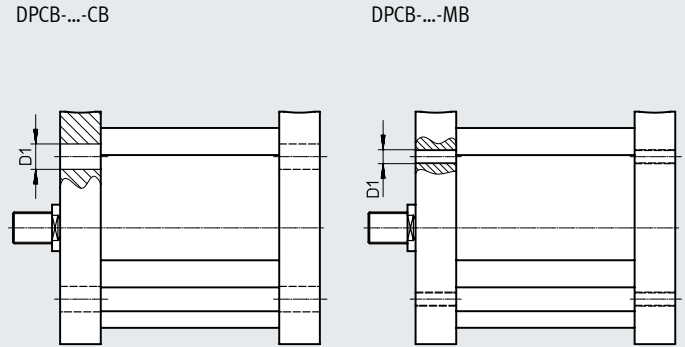
Download CAD data → www.festo.com

- [S] Single-acting, pushing (piston rod retracted by spring force)
- [NE] Piston rod extension

- [S] Single-acting, pushing (piston rod retracted by spring force)
- [CB] Through-holes, at both ends
- [MB] Mounting thread, at both ends



+ = plus stroke length

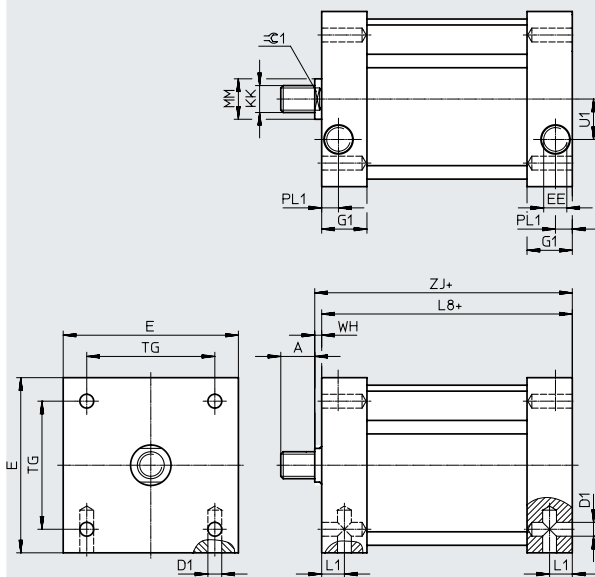


Stroke [in]	A2		WH	D1	D1
	min.	max.		∅	∅
1/8...4	0.001	6	0.13	[CB] 0.5	[MB] 5/16-18 UNC

Dimensions – piston diameter 4

Download CAD data → www.festo.com

- [S] Single-acting, pushing (piston rod retracted by spring force)
- [QX] Square cap geometry



+ = plus stroke length

Stroke [in]	A	D1 ∅	E	EE	G1	KK	L1
1/8...4	0.75	7/16-14 UNC	5	3/8 NPT	1	3/4-10 UNC 3/4-16 UNF	0.5

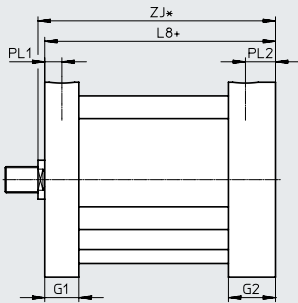
Stroke [in]	L8	MM ∅	PL1	TG	U1	WH	ZJ	∅1
1/8...1	2	1	0.44	3.62	1.25	0.13	2.13	0.88
1/4...2	2.88	1	0.44	3.62	1.25	0.13	3.01	0.88
2 1/2...3	3.75	1	0.44	3.62	1.25	0.13	3.88	0.88
3 1/2...4	4.63	1	0.44	3.62	1.25	0.13	4.76	0.88

Datasheet

Dimensions – piston diameter 4

Download CAD data → www.festo.com

- [S] Single-acting, pushing (piston rod retracted by spring force)
- [V] Reinforced end cap



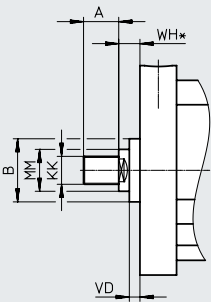
*/+ = plus stroke length

Stroke [in]	G1	G2	L8	PL1	PL2	ZJ
1/8...1	0.84	0.38	1.94	0.42	0.8	2.07
1 1/4...2	0.84	0.38	2.82	0.42	0.8	2.95
2 1/2; 3	0.84	0.38	3.69	0.42	0.8	3.82
3 1/2; 4	0.84	0.38	4.57	0.42	0.8	4.7

Dimensions – piston diameter 4

Download CAD data → www.festo.com

- [S] Single-acting, pushing (piston rod retracted by spring force)
- [A4] Scraper made of NBR



+ = plus stroke length

Stroke [in]	A	B	KK	MM ∅	WH	VD
1/8...4	0.75	1.38	3/4-10 UNC 3/4-16 UNF	1	0.38	0.19

Datasheet

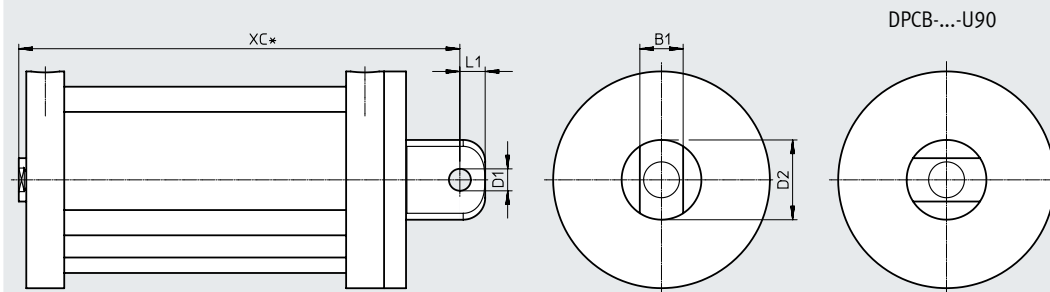
Dimensions – piston diameter 4

Download CAD data → www.festo.com

[S] Single-acting, pushing (piston rod retracted by spring force)

[U] With swiveling rod eye

[U90] With swiveling rod eye, rotated 90°



* = plus 2x stroke length

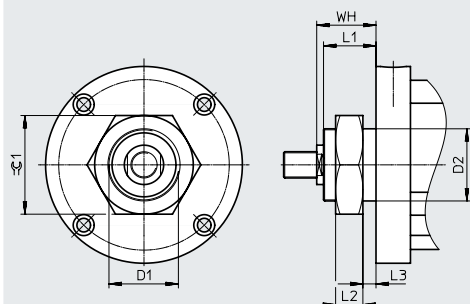
Stroke [in]	B1	D1 ∅	D2 ∅	L1	XC
1/8...1	1	0.63	1.88	0.56	3.44
1/4...2	1	0.63	1.88	0.56	4.32
2 1/2...3	1	0.63	1.88	0.56	5.19
3 1/2...4	1	0.63	1.88	0.56	6.07

Dimensions – piston diameter 4

Download CAD data → www.festo.com

[S] Single-acting, pushing (piston rod retracted by spring force)

[FT] Flange thread, front



Stroke [in]	D1	D2 ∅	L1	L2	L3	WH	⌀ 1
1/8...4	1 3/4-12 UNF-2A	1.75	1.12	0.88	0.19	1.25	2.62

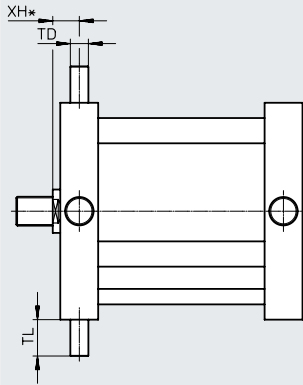
Datasheet

Dimensions – piston diameter 4

Download CAD data → www.festo.com

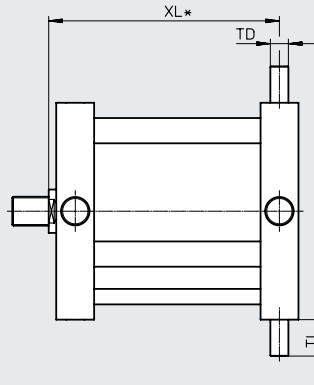
- [S] Single-acting, pushing (piston rod retracted by spring force)
- [Y2] Trunnion flange mounting position, front

DPCB-...-Y2



- [S] Single-acting, pushing (piston rod retracted by spring force)
- [Y3] Trunnion flange mounting position, rear

DPCB-...-Y3



XL* = plus 2x stroke length

Stroke [in]	TD	TL	XH	XL
			[Y2]	[Y3]
1/8...1	0.375	0.75	0.55	1.27
1 1/4...2	0.375	0.75	0.55	2.15
2 1/2...3	0.375	0.75	0.55	3.02
3 1/2...4	0.375	0.75	0.55	3.9

Ordering data – Modular product system

Ordering table											
Piston diameter	1/2	3/4	1 1/16	1 1/2	2	2 1/2	3	4	Conditions	Code	Enter code
Module no.	8104879	8104880	8104881	8104882	8104883	8104884	8104885	8104886			
Function	Compact air cylinder, single-acting									DPCB	DPCB
System of units	Inch										
Anti-twist protection	Without										
Running characteristics	Standard										
	Low friction									L	
Piston diameter	1/2"	3/4"	1 1/16"	1 1/2"	2"	2 1/2"	3"	4"		-..."	
Stroke											
1/8"	1)	1)2)	1)	1)	1)	1)	1)	1)		-1/8"	
1/4"	1)	1)2)	1)	1)	1)	1)	1)	1)		-1/4"	
3/8"	3)	2)								-3/8"	
1/2"	3)	2)								-1/2"	
5/8"	3)	2)								-5/8"	
3/4"	3)	2)								-3/4"	
7/8"	3)	2)								-7/8"	
1"	3)	2)								-1"	
1 1/8"	3)	2)								-1 1/8"	
1 1/4"	3)	2)								-1 1/4"	
1 3/8"										-1 3/8"	
1 1/2"										-1 1/2"	
1 5/8"										-1 5/8"	
1 3/4"										-1 3/4"	
1 7/8"										-1 7/8"	
2"										-2"	
2 1/8"										-2 1/8"	
2 1/4"										-2 1/4"	
2 3/8"										-2 3/8"	
2 1/2"										-2 1/2"	
2 5/8"										-2 5/8"	
2 3/4"										-2 3/4"	
2 7/8"										-2 7/8"	
3"										-3"	
3 1/8"										-3 1/8"	
3 1/4"										-3 1/4"	
3 3/8"										-3 3/8"	
3 1/2"										-3 1/2"	
3 5/8"										-3 5/8"	
3 3/4"										-3 3/4"	
3 7/8"										-3 7/8"	
4"										-4"	

- 1) Not with A
 2) Not with R270
 3) Not with R90

Ordering data – Modular product system

Ordering table		1/2	3/4	1 1/16	1 1/2	2	2 1/2	3	4	Conditions	Code	Enter code
Function	Single-acting, pulling (piston rod advanced by spring force)										-P	
	Single-acting, pushing (piston rod retracted by spring force)										-S	
Piston rod type	At one end											
Piston rod design	One end plate										J1	
	One end plate with recess and through-hole											
	One end plate, rotated 90°								[6]		J90	
	One end plate with recess and through-hole, rotated 90°								[6]		J91	
Piston rod thread type	External thread									[5]		
	Internal thread									[5]	F	
	No thread									[5]	N	
Supply port	Lateral											
	– Rotated through 90°									[1] [10]	P90	
	Rotated through 180°									[10]	P180	
	– Rotated through 270°									[1] [10]	P270	
Cap geometry	Round											
	– Square									[1]	QX	
End cap	Standard											
	Reinforced									[4] [10] [13]	V	
Type of mounting	Standard											
	With swiveling rod eye									[4]	U	
	Through-holes, at both ends									[10]	CB	
	Through-holes, front									[10]	CF	
	Through-holes, rear									[10]	CR	
	Flange thread, front									[10]	FT	
	Mounting thread, at both ends									[10]	MB	
	Mounting thread, front									[10]	MF	
	Mounting thread, rear									[10]	MR	
	– Trunnion flange mounting position, front									[1] [10]	Y2	
– Rear trunnion mounting position									[1] [10]	Y3		
Cushioning	With swiveling rod eye, rotated 90°									[4]	U90	
	No cushioning										-N	
	Flexible cushioning rings/pads at front									[3]	-P2	
	Flexible cushioning rings/pads at rear									[2]	-P3	
Position sensing	Without											
	For proximity switch										A	
Temperature range	Standard											
	-40 ... +176 °F										-T3	
Scraper variant	None											
	Increased chemical resistance										-A1	
	Scraper made of NBR									[13]	-A4	
Piston rod extension	0.001...6"										-...NE	

[1] P90, P270, QX, Y2, Y3, R270
Not with piston diameter 1/2

[2] P3
Not with P

[3] V, U, U90
Not with S

[4] V, U, U90
Not with H, T

[5] External thread, F, N
Not with piston rod design: one end plate, J1, J90, J91

[6] J90, J91
Not with Y2

[10] P90, P180, P270, V, CB, CF, CR, FT, MB, MF, MR, Y2, Y3, R180
Not with QX

[13] V, A4
Not with FT

Ordering data – Modular product system

Ordering table												
Piston diameter	1/2	3/4	1 1/16	1 1/2	2	2 1/2	3	4	Conditions	Code	Enter code	
Piston rod thread	Without											
	-	10-32 UNF-2A	-	-	-	-	-	-	-	-U10		
	-	-	-	-	1/2-20 UNF-2A	1/2-20 UNF-2A	-	-	-	-U12		
	-	-	-	-	-	-	-	3/4-16 UNF-2A	-	-U34		
	-	-	-	3/8-24 UNF-2A	-	-	-	-	-	-U38		
	-	-	-	-	-	-	5/8-18 UNF-2A	-	-	-U58		
	8-32 UNC	-	-	-	-	-	-	-	-	-U8C		
	-	10-24 UNC	-	-	-	-	-	-	-	-U10C		
	-	-	-	-	1/2-13 UNC	1/2-13 UNC	-	-	-	-U12C		
	-	-	-	-	-	-	-	3/4-10 UNC	-	-U34C		
	-	-	-	3/8-16 UNC	-	-	-	-	-	-U38C		
	-	-	5/16-24 UNF-2A	-	-	-	-	-	-	-U516		
	-	-	-	-	-	-	5/8-11 UNC	-	-	-U58C		
-	-	5/16-18 UNC	-	-	-	-	-	-	-U516C			
Sensor mounting, external	Without											
	Mounting rail for sensors									[11]	-R	
	Mounting rail for sensors, rotated 90°									[11]	-R90	
	Mounting rail for sensors, rotated 180°									[10] [11]	-R180	
	-	Mounting rail for sensors, rotated 270°									[1] [11]	-R270

[1] P90, P270, QX, Y2, Y3, R270
Not with piston diameter 1/2

[10] P90, P180, P270, V, CB, CF, CR, FT, MB, MF, MR, Y2, Y3, R180
Not with QX

[11] R, R90, R180, R270
Only with A

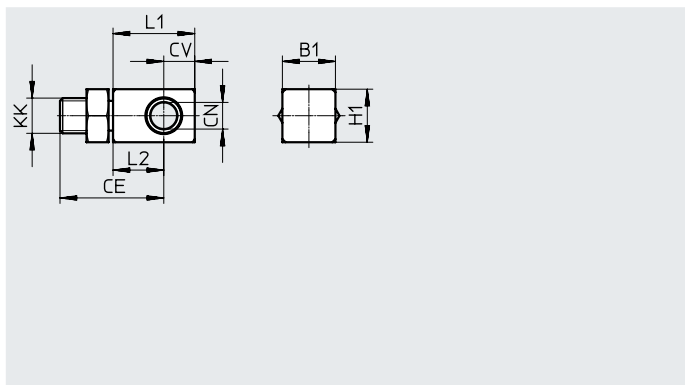
Accessories

Rod clevis DARC-C5-...-M

For connecting to compact cylinder DPCB

Material:
Rod clevis: steel
Bushing: bronze
Nut: steel

RoHS-compliant
Contains paint-wetting impairment substances



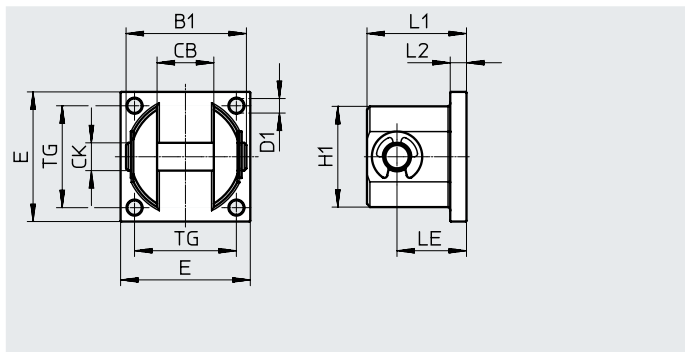
Dimensions and ordering data											
For diameter [in]	B1	CE	CN	CV	H1	KK	L1	L2	Part no.	Type	
1/2	0.38	0.85	0.187	0.25	0.38	8-32 UNC	0.72	0.47	8106707	DARC-C5-U8C-M	
3/4	0.38	0.85	0.187	0.25	0.38	10-32 UNF	0.72	0.47	8106708	DARC-C5-U10-M	
1 1/16	0.38	1.1	0.187	0.25	0.38	5/16-24 UNF	0.72	0.47	8106709	DARC-C5-U516-M	
1 1/2	0.75	1.35	0.375	0.44	0.75	3/8-24 UNF	1.16	0.72	8106710	DARC-C5-U38-M	
2; 2 1/2	0.75	1.47	0.375	0.44	0.75	1/2-20 UNF	1.16	0.72	8106711	DARC-C5-U12-M	
3	1	1.88	0.625	0.63	1	5/8-18 UNF	1.63	1	8106712	DARC-C5-U58-M	
4	1	1.88	0.625	0.63	1	3/4-16 UNF	1.63	1	8106713	DARC-C5-U34-M	

Clevis flange DAMS-C5-...-D

For connecting to rod clevis DARC

Material:
Mounting: die-cast zinc
Bolt: galvanized steel
Lock: galvanized steel

RoHS-compliant
Contains paint-wetting impairment substances



Dimensions and ordering data												
For rod clevis	B1	CB	CK	D1 \varnothing	E	H1	L1	L2	LE	TG	Part no.	Type
DARC-U8C/-U10/-U516	0.93	0.39	0.187	0.144	1	0.71	0.78	0.16	0.56	0.75	8106691	DAMS-C5-1/2"-D
DARC-U38/-U12	1.63	0.75	0.375	0.196	1.75	1.37	1.34	0.22	0.94	1.38	8106692	DAMS-C5-1 1/2"-D
DARC-U58/-U34	2.42	1	0.625	0.257	2.5	2.1	1.81	0.25	1.25	2	8106693	DAMS-C5-3"-D

Accessories

Trunnion support DAMC-C5-...-M

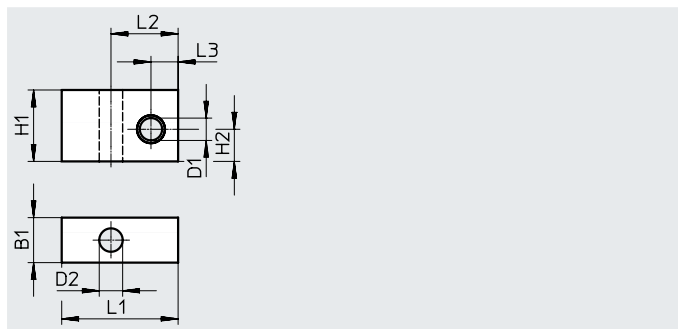
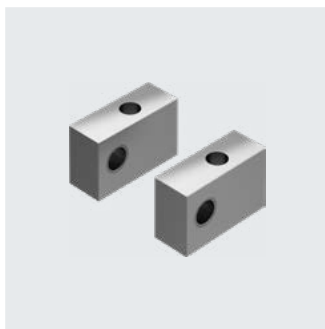
Material:

Mounting: wrought aluminum alloy

Bearing: bronze

RoHS-compliant

Contains paint-wetting impairment substances



Dimensions and ordering data

For diameter [in]	B1	D1 ∅	D2 ∅	H1	H2	L1	L2	L3	Part no.	Type
3/4	0.31	0.126	0.196	0.63	0.3	1.12	0.56	0.22	8106696	DAMC-C5-3/4"-M
1 1/16; 1 1/2; 2	0.5	0.251	0.2656	0.88	0.38	1.5	0.81	0.31	8106697	DAMC-C5-1 1/16"-M
2 1/2; 3	0.63	0.33	0.328	1	0.45	1.63	0.94	0.38	8106698	DAMC-C5-2 1/2"-M
4	0.75	0.376	0.39	1.25	0.55	1.88	1.06	0.44	8106699	DAMC-C5-4"-M

Sensor bracket SAMH-NC5

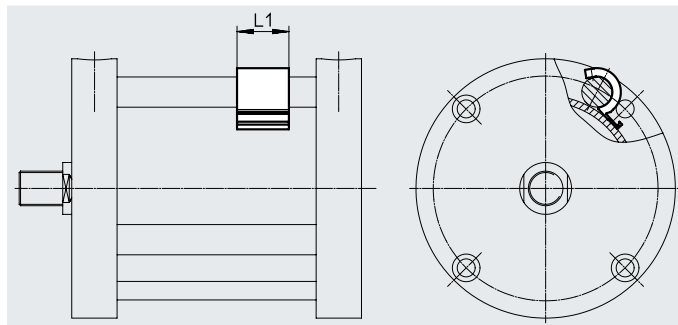
Material:

Mounting: wrought aluminum alloy

Screw: galvanized steel

RoHS-compliant

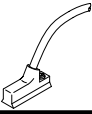
Contains paint-wetting impairment substances






Dimensions and ordering data


For diameter [in]	L1	Part no.	Type
1/2	0.75	8106925	SAMH-NC5-1/2"-Q
3/4	0.75	8106926	SAMH-NC5-3/4"-Q
1 1/16	0.75	8106927	SAMH-NC5-1 1/16"-Q
1 1/2; 2	0.75	8106928	SAMH-NC5-1 1/2"-Q
2 1/2; 3	0.75	8106929	SAMH-NC5-2 1/2"-Q
4	0.75	8106930	SAMH-NC5-4"-Q
3/4; 1 1/16; 1 1/2; 2	0.75	8106931	SAMH-NC5-3/4"-QX
2 1/2; 3	0.75	8106932	SAMH-NC5-2 1/2"-QX
4	0.75	8106933	SAMH-NC5-4"-QX


Accessories

Ordering data – Proximity switch dovetail, magneto-resistive						Data sheets → Internet: sdbf
	For diameter	Type of mounting	Switching output	Electrical connection	Part no.	Type
N/O contact						
	1/2 ... 4	Can be inserted in slot lengthwise	PNP	Cable, 3-wire	8106575	SDBF-FBS-1L-PU-K-9-N-LE
				Plug M8x1, 3-pin	8106576	SDBF-FBS-1L-PU-K-0.5-N-M8
			NPN	Cable, 3-wire	8106577	SDBF-FBS-1L-NU-K-9-N-LE
				Plug M8x1, 3-pin	8106578	SDBF-FBS-1L-NU-K-0.5-N-M8



Ordering data – Connecting cables					Data sheets → Internet: nebu
	Electrical connection, left	Electrical connection, right	Cable length [m]	Part no.	Type
	Straight socket, M8x1, 3-pin	Cable, open end, 3-wire	2.5	541333	NEBU-M8G3-K-2.5-LE3
			5	541334	NEBU-M8G3-K-5-LE3
	Angled socket, M8x1, 3-pin	Cable, open end, 3-wire	2.5	541338	NEBU-M8W3-K-2.5-LE3
			5	541341	NEBU-M8W3-K-5-LE3

Ordering data				
	For diameter [in]	Description	Part no.	Type
One-way flow control valve GRLA				
Data sheets → Internet: grla				
	1/2 ... 3/4	For regulating velocity	564842	GRLA-10-32-UNF-QB-1/4-U
	1 1/16 ... 2		534659	GRLA-1/8-QB-5/16-U
	2 1/2		534662	GRLA-1/4-QB-5/16-U
	3		534663	GRLA-1/4-QB-3/8-U
	4		534666	GRLA-3/8-QB-3/8-U

Push-in fitting, straight				
Data sheets → Internet: qb				
	1/2 ... 3/4	For connecting compressed air tubing with standard O.D.	533269	QB-10-32-UNF-1/4-U
	1 1/16 ... 2		567773	QB-1/8-3/8-U
	2 1/2		533278	QB-1/4-3/8-U
	3		567771	QB-1/4-1/2-U
	4		533281	QB-3/8-3/8-U

Push-in fitting, angled				
Data sheets → Internet: qbl				
	1/2 ... 3/4	For connecting compressed air tubing with standard O.D.	533288	QBL-10-32-UNF-1/4-U
	1 1/16 ... 2		567777	QBL-1/8-3/8-U
	2 1/2		533297	QBL-1/4-3/8-U
	3		567775	QBL-1/4-1/2-U
	4		533300	QBL-3/8-3/8-U

Accessories

Ordering data		For diameter	Description	Part no.	Type	
Assembly tool						
			For fixing the piston rod in place when mounting piston rod attachments	8106809	DADG-WF	
Seal set						
	1 1/16	Spare parts	8106867	DADG-SK-C5-1 1/16"		
			8106873	DADG-SK-C5-1 1/16"-A1		
			8141164	DADG-SK-C5-1 1/16"-T3		
			8141176	DADG-SK-C5-QP-1 1/16"		
			8141179	DADG-SK-C5-QP-1 1/16"-A1		
			8141182	DADG-SK-C5-QP-1 1/16"-T3		
			8141197	DADG-SK-C5-QP-1 1/16"-QX		
			8141200	DADG-SK-C5-QP-1 1/16"-QXA1		
			8141185	DADG-SK-C5-1 1/16"-QX		
			8141191	DADG-SK-C5-1 1/16"-QXA1		
	1 1/2			8106868	DADG-SK-C5-1 1/2"	
				8106874	DADG-SK-C5-1 1/2"-A1	
				8141165	DADG-SK-C5-1 1/2"-T3	
				8141177	DADG-SK-C5-QP-1 1/2"	
				8141180	DADG-SK-C5-QP-1 1/2"-A1	
				8141183	DADG-SK-C5-QP-1 1/2"-T3	
				8141198	DADG-SK-C5-QP-1 1/2"-QX	
				8141201	DADG-SK-C5-QP-1 1/2"-QXA1	
				8141186	DADG-SK-C5-1 1/2"-QX	
				8141192	DADG-SK-C5-1 1/2"-QXA1	
	2			8141171	DADG-SK-C5-L-1 1/2"	
				8106869	DADG-SK-C5-2"	
				8106875	DADG-SK-C5-2"-A1	
				8141166	DADG-SK-C5-2"-T3	
				8141178	DADG-SK-C5-QP-2"	
				8141181	DADG-SK-C5-QP-2"-A1	
				8141184	DADG-SK-C5-QP-2"-T3	
				8141199	DADG-SK-C5-QP-2"-QX	
				8141202	DADG-SK-C5-QP-2"-QXA1	
				8141187	DADG-SK-C5-2"-QX	
	2 1/2			8141193	DADG-SK-C5-2"-QXA1	
				8141172	DADG-SK-C5-L-2"	
				8106870	DADG-SK-C5-2 1/2"	
				8106876	DADG-SK-C5-2 1/2"-A1	
				8141167	DADG-SK-C5-2 1/2"-T3	
				8141188	DADG-SK-C5-2 1/2"-QX	
				8141194	DADG-SK-C5-2 1/2"-QXA1	
				8141173	DADG-SK-C5-L-2 1/2"	
				8106871	DADG-SK-C5-3"	
				8106877	DADG-SK-C5-3"-A1	
3			8141168	DADG-SK-C5-3"-T3		
			8141189	DADG-SK-C5-3"-QX		
			8141195	DADG-SK-C5-3"-QXA1		
			8141174	DADG-SK-C5-L-3"		
			8106872	DADG-SK-C5-4"		
			8106878	DADG-SK-C5-4"-A1		
			8141169	DADG-SK-C5-4"-T3		
			8141190	DADG-SK-C5-4"-QX		
			8141196	DADG-SK-C5-4"-QXA1		
			8141175	DADG-SK-C5-L-4"		
4						