

Tie rod cylinders DNG/DNGL/DNGZK – Inch Series



- Piston Ø 1-1/4" to 6"
- Strokes up to 78.7"
- Double-acting
- Robust tie rod design
- Comprehensive range of accessories
- Repairable
- Non-rotating piston rod version available (DNGL)
- Adjustable trunnion mounting version available (DNGZK)

| Product range overview | | | | | | | | | |
|------------------------|-------------------------------------------|-------|------------------------------------|--------------|------------------|----------|---|----|----|
| Function | Version | Type | Piston Ø [in] | Stroke [in] | Force [lbf] | Variants | | | |
| | | | | | | PPV | A | S2 | S6 |
| Double-acting | Basic version | DNG | 1-1/4, 1-5/8, 2, 2-1/2, 3, 4, 5, 6 | 0.4 ... 78.7 | 108.3 ... 10,846 | ■ | ■ | ■ | ■ |
| | Single-ended non-rotating piston rod | DNGL | 1-1/4, 1-5/8, 2, 2-1/2, 3, 4 | 0.4 ... 24 | 108.3 ... 1,059 | ■ | ■ | - | - |
| | With adjustable central trunnion mounting | DNGZK | 1-1/4, 1-5/8, 2, 2-1/2, 3, 4, 5, 6 | 0.4 ... 78.7 | 108.3 ... 10,846 | ■ | ■ | - | - |

| Variants | | | | | |
|----------|----------------------------------------|----|-----------------------------|----|-----------------------------|
| PPV | Adjustable air cushioning at both ends | A | Magnet for position sensing | S6 | Heat-resistant up to 150 °C |
| | | S2 | Through piston rod | | |

Tie rod cylinders DNG/DNGL/DNGZK - Inch Series

Technical data

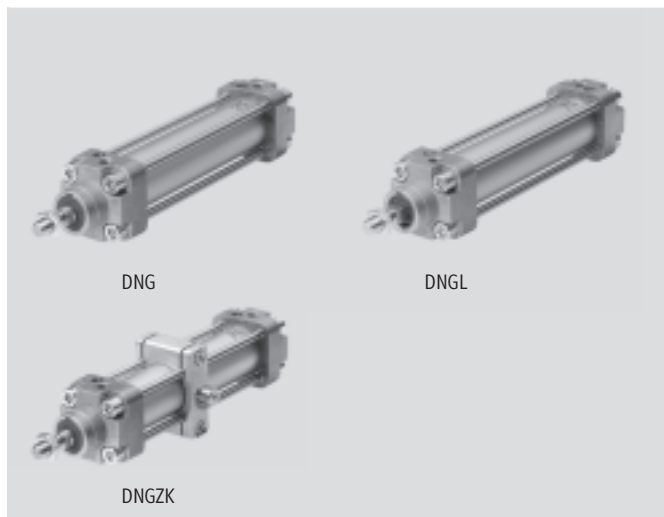
Double-acting



- N- Diameter
1-1/4 ... 6 in
- T- Stroke length
0.4 ... 78.7 in

Variants

- Through piston rod (S2)
- Heat resistant seals (S6)



| General technical data | | | | | | | | |
|-------------------------------------------|-----------------------------------------------------|------------|------------|------------|------------|------------|----------|--------------|
| Piston Ø | 1-1/4 | 1-5/8 | 2 | 2-1/2 | 3 | 4 | 5 | 6 |
| Pneumatic connection | 1/8 NPT | 1/4 NPT | 1/4 NPT | 3/8 NPT | 3/8 NPT | 1/2 NPT | 1/2 NPT | 3/4 NPT |
| Piston rod thread | 3/8-24 UNF | 1/2-20 UNF | 5/8-18 UNF | 5/8-18 UNF | 3/4-16 UNF | 3/4-16 UNF | 1-12 UNF | 1-1/2-12 UNF |
| Operating medium | Filtered compressed air, lubricated or unlubricated | | | | | | | |
| Design | Piston | | | | | | | |
| | Piston rod | | | | | | | |
| | Profile barrel | | | | | | | |
| Cushioning | Adjustable air cushioning at both ends | | | | | | | |
| Cushioning length [in] | 0.7 | 0.8 | 0.9 | 0.9 | 1.2 | 1.2 | 1.6 | 1.6 |
| Magnet for position sensing ¹⁾ | Standard | | | | | | | |

1) Position sensing via magnetic proximity sensor (ordered separately, see accessories).

| Operating and environmental conditions | | | | | | | | | |
|----------------------------------------|-------------|-------|---|-------|---|---|---|-------|--|
| Piston Ø | 1-1/4 | 1-5/8 | 2 | 2-1/2 | 3 | 4 | 5 | 6 | |
| Operating pressure [psi] | 176.4 | | | | | | | 147.0 | |
| Ambient temperature ¹⁾ [°F] | -4 ... +176 | | | | | | | | |

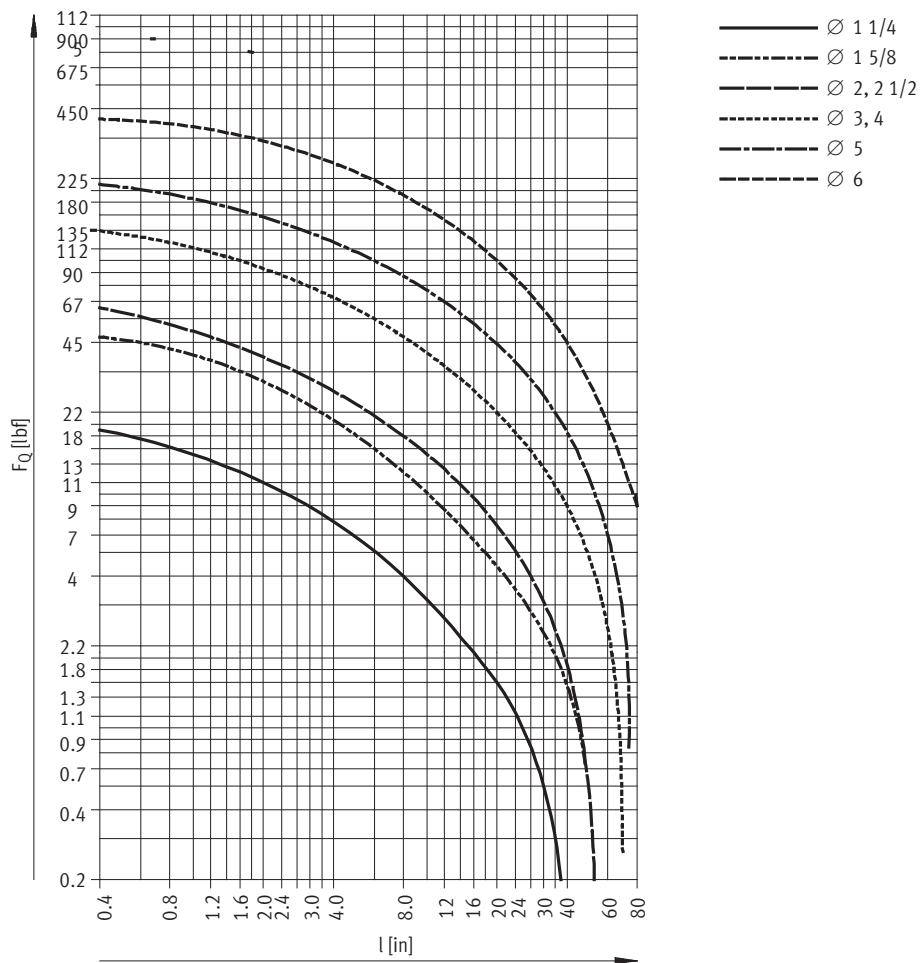
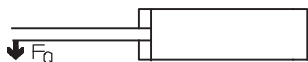
1) Note operating range of proximity sensors

| Forces [lbf] | | | | | | | | |
|-----------------------------------------|-------|-------|-----|-------|-----|-------|-------|-------|
| Piston Ø | 1-1/4 | 1-5/8 | 2 | 2-1/2 | 3 | 4 | 5 | 6 |
| Theoretical force at 90 psi, extending | 108 | 169 | 256 | 420 | 678 | 1,060 | 1,655 | 2,712 |
| Theoretical force at 90 psi, retracting | 93 | 142 | 223 | 378 | 512 | 994 | 1,547 | 2,543 |

Tie rod cylinders DNG/DNGL/DNGZK - Inch Series

Technical data

Lateral force F_Q as a function of the stroke length l



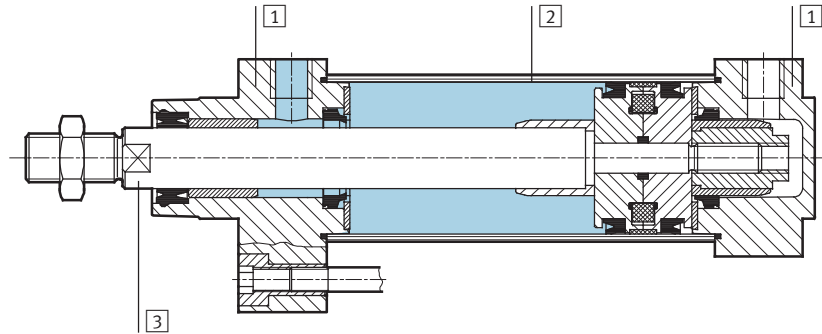
| Weights [oz] | | | | | | | | |
|-------------------------------------|-------|-------|------|-------|-------|-------|-------|-------|
| Piston \varnothing | 1-1/4 | 1-5/8 | 2 | 2-1/2 | 3 | 4 | 5 | 6 |
| DNG/DNGL | | | | | | | | |
| Product weight at 0 inch stroke | 19.9 | 27.9 | 49.4 | 60.8 | 101.4 | 144.6 | 257.7 | 609.0 |
| Additional weight per 1 inch stroke | 2.7 | 3.6 | 4.5 | 5.4 | 7.2 | 9.0 | 12.5 | 17.0 |
| DNGZK | | | | | | | | |
| Product weight at 0 inch stroke | 28.9 | 45.0 | 68.6 | 97.5 | 139.7 | 219.0 | 360.3 | 688.2 |
| Additional weight per 1 inch stroke | 2.7 | 3.6 | 4.5 | 5.4 | 7.2 | 9.0 | 12.5 | 17.0 |

Tie rod cylinders DNG/DNGL/DNGZK - Inch Series

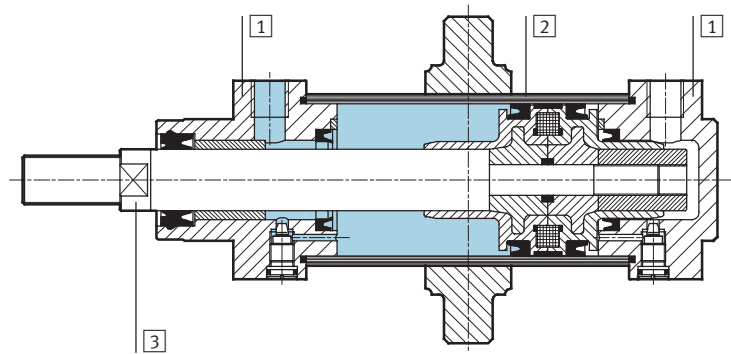
Technical data

Materials

Sectional view DNG/DNGL



Sectional view DNGZK



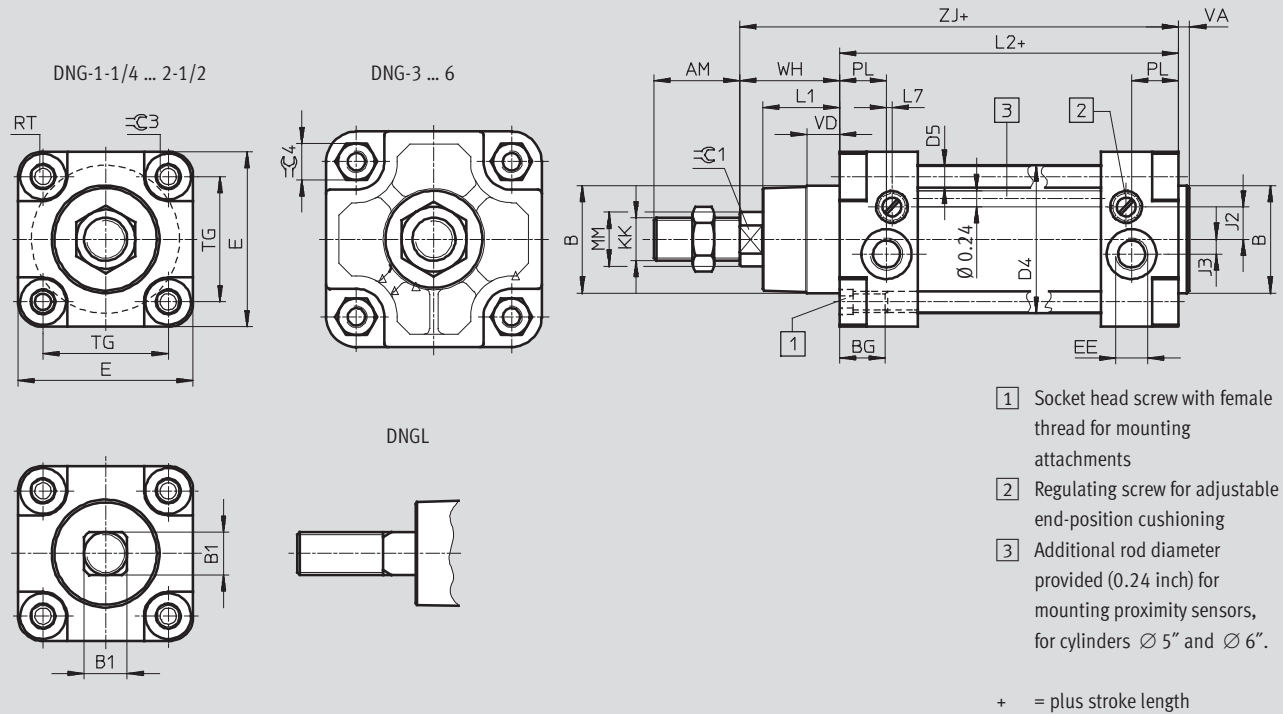
| Standard cylinder | DNG/DNGL | DNGZK |
|------------------------|------------------------------|------------------------|
| 1 Bearing and end caps | Aluminum | Die-cast aluminum |
| 2 Cylinder barrel | Aluminum | Aluminum (Ø 6": brass) |
| 3 Piston rod, tie rod | High-alloy steel | |
| - Seals | Polyurethane, nitrile rubber | |

Tie rod cylinders DNG/DNGL/DNGZK - Inch Series

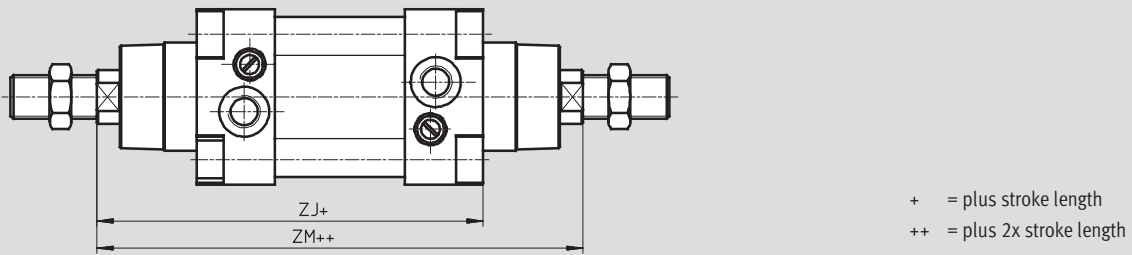
Technical data

Dimensions

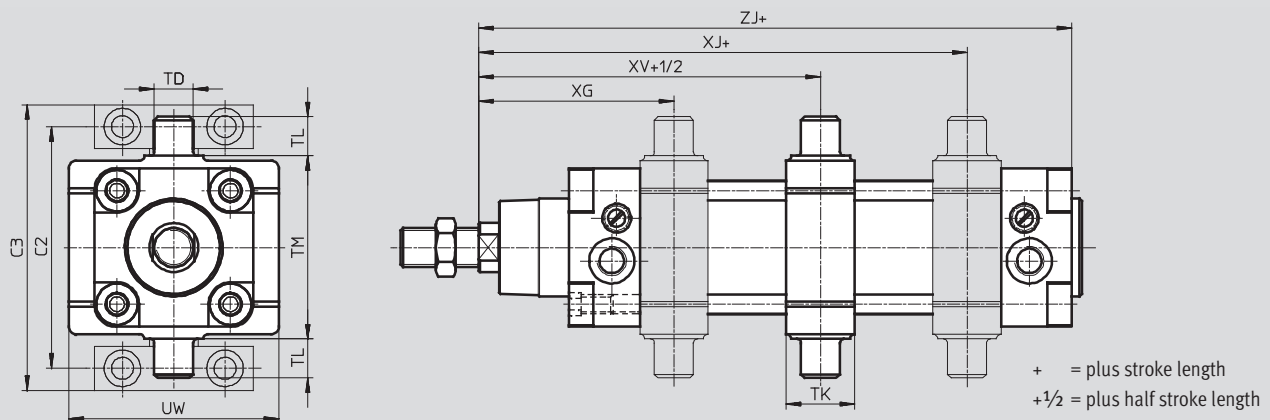
DNG/DNGL



Variant S2 – Through piston rod



DNGZK



Tie rod cylinders DNG/DNGL/DNGZK - Inch Series



Technical data

| ∅ [in] | AM | B ∅ d11 | B1 f9 | BG | C2 | C3 | D4 ∅ | D5 ∅ | E | EE | J2 | J3 |
|-----------|-----|---------------|----------|-----|-----|-----|---------|---------|-----|---------|-----|------|
| 1-1/4 | 0.9 | 1.2 | 0.4 | 0.7 | 2.8 | 3.4 | 1.5 | 0.2 | 2.0 | 1/8 NPT | 0.3 | - |
| 1-5/8 | 0.9 | 1.4 | 0.5 | 0.6 | 3.4 | 4.1 | 1.8 | 0.2 | 2.2 | 1/4 NPT | 0.4 | 0.10 |
| 2 | 1.3 | 1.6 | 0.6 | 0.7 | 3.9 | 4.6 | 2.2 | 0.3 | 2.6 | 1/4 NPT | 0.5 | 0.22 |
| 2-1/2 | 1.3 | 1.8 | 0.6 | 0.8 | 4.6 | 5.4 | 2.7 | 0.3 | 3.0 | 3/8 NPT | 0.6 | 0.2 |
| 3 | 1.6 | 1.8 | 0.8 | 0.8 | 5.4 | 6.1 | 3.4 | 0.4 | 3.9 | 3/8 NPT | 0.6 | 0.3 |
| 4 | 1.6 | 2.2 | 0.8 | 0.8 | 6.1 | 7.4 | 4.2 | 0.4 | 4.7 | 1/2 NPT | 0.5 | 0.3 |
| 5 | 2.1 | 2.4 | - | 1.0 | 7.4 | 8.5 | 5.2 | 0.5 | 5.7 | 1/2 NPT | 0.5 | 0.3 |
| 6 | 2.8 | 2.6 | - | 0.9 | 8.5 | 11. | 6.6 | 0.6 | 7.3 | 3/4 NPT | 0.9 | 0.9 |

| ∅ [in] | KK | L1 | L2 | L7 | MM ∅ | PL | RT | TD ∅ e9 | TG | TK | TL |
|-----------|--------------|-----|-----------|------|---------|-----|-----|---------------|-----|-----|-----|
| 1-1/4 | 3/8-24 UNF | 0.7 | 3.7 ±0.02 | 0.23 | 0.5 | 0.3 | M6 | 0.5 | 1.3 | 0.8 | 0.5 |
| 1-5/8 | 1/2-20 UNF | 0.8 | 4.1 ±0.03 | 0.21 | 0.6 | 0.4 | M6 | 0.6 | 1.5 | 1.0 | 0.6 |
| 2 | 5/8-18 UNF | 1.1 | 4.2 ±0.03 | 0.08 | 0.8 | 0.7 | M8 | 0.6 | 1.8 | 1.1 | 0.6 |
| 2-1/2 | 5/8-18 UNF | 1.1 | 4.8 ±0.03 | 0.2 | 0.8 | 0.7 | M8 | 0.8 | 2.2 | 1.2 | 0.8 |
| 3 | 3/4-16 UNF | 1.4 | 5.0 ±0.03 | 0.3 | 1.0 | 0.7 | M10 | 0.8 | 2.8 | 1.3 | 0.8 |
| 4 | 3/4-16 UNF | 1.5 | 5.4 ±0.03 | 0.5 | 1.0 | 0.7 | M10 | 1.0 | 3.5 | 1.5 | 1.0 |
| 5 | 1-12UNF | 1.8 | 6.3 ±0.03 | 0.6 | 1.3 | 0.7 | M12 | 1.0 | 4.3 | 1.7 | 1.0 |
| 6 | 1-1/2-12 UNF | 2.2 | 7.1 ±0.03 | - | 1.6 | 1.0 | M16 | 1.3 | 5.5 | 1.9 | 1.3 |

| ∅ [in] | TM | UW | VA | VD | WH | XG | XJ | XV | ZJ | ZM | ≈C1 [mm] | ≈C3 [mm] | ≈C4 [mm] |
|-----------|-----|-----|-----|------|-----|-----------|-----------|-----------|------|------|-------------|-------------|-------------|
| 1-1/4 | 2.0 | 2.7 | 0.2 | 0.41 | 1.0 | 2.4 ±0.07 | 3.3 ±0.07 | 2.9 ±0.07 | 4.7 | 5.7 | 10 | 6 | - |
| 1-5/8 | 2.5 | 2.8 | 0.2 | 0.41 | 1.2 | 2.7 ±0.07 | 3.8 ±0.07 | 3.2 ±0.07 | 5.3 | 6.5 | 13 | 6 | - |
| 2 | 3.0 | 3.4 | 0.2 | 0.47 | 1.5 | 3.1 ±0.07 | 3.9 ±0.07 | 3.5 ±0.07 | 5.6 | 7.1 | 17 | 8 | - |
| 2-1/2 | 3.5 | 3.9 | 0.2 | 0.49 | 1.5 | 3.4 ±0.09 | 4.3 ±0.09 | 3.8 ±0.09 | 6.2 | 7.7 | 17 | 8 | - |
| 3 | 4.3 | 4.3 | 0.2 | 0.65 | 1.8 | 4.0 ±0.09 | 4.7 ±0.09 | 4.3 ±0.09 | 6.9 | 8.7 | 22 | - | 17 |
| 4 | 5.2 | 5.4 | 0.2 | 0.61 | 2.0 | 4.4 ±0.09 | 5.0 ±0.09 | 4.7 ±0.09 | 7.4 | 9.4 | 22 | - | 17 |
| 5 | 6.3 | 6.3 | 0.2 | 0.81 | 2.6 | 5.4 ±0.09 | 6.1 ±0.09 | 5.7 ±0.09 | 8.9 | 11.4 | 27 | - | 19 |
| 6 | 7.9 | 7.9 | 0.2 | - | 3.1 | 6.1 ±0.10 | 6.7 ±0.10 | 6.7 ±0.10 | 10.2 | 13.4 | 36 | - | 32 |

Dimensions are in inches, unless otherwise noted.

Tie rod cylinders DNG - Inch Series

Ordering data



| M Mandatory data | | | | | O Options | |
|------------------|--------------------------------------------------|--------------|--------------|-----------------------------|--------------------|-----------------------|
| Function | Piston Ø | Stroke | Cushioning | Magnet for position sensing | Type of piston rod | Temperature-resistant |
| DNG | 1 1/4 1 5/8 2 2 1/2 3 4 5 6 | 0.4 ... 78.7 | PPV | A | S2 | S6 |
| DNG | - 3 | - 60 | - PPV | - A | - | - S6 |

| Ordering table | | | | | | | | | | | |
|-----------------------------|-------------------------------------------------|-------|---|-------|---|---|---|---|------------|-------------|--------------|
| Size | 1 1/4 | 1 5/8 | 2 | 2 1/2 | 3 | 4 | 5 | 6 | Conditions | Code | Enter code |
| M Function | Basic version, standard cylinder, double-acting | | | | | | | | | DNG | DNG |
| Piston Ø [in] | 1 1/4 | 1 5/8 | 2 | 2 1/2 | 3 | 4 | 5 | 6 | | -... | |
| Stroke [in] | 0.4 ... 78.7 | | | | | | | | | | -... |
| Cushioning | Adjustable air cushioning at both ends | | | | | | | | | -PPV | -PPV |
| Magnet for position sensing | For use with magnetic proximity sensor | | | | | | | | | -A | -A |
| O Type of piston rod | Through piston rod | | | | | | | | | -S2 | |
| Temperature-resistant | Heat-resistant seals up to max. 302 °F | | | | | | | | | -S6 | ¹ |

¹ Not available in combination with -S2

Transfer order code

DNG - - - **PPV** - **A** -

Tie rod cylinders, non-rotating version DNGL - Inch Series



Ordering data

M Mandatory data

| Function | Piston Ø | Stroke | Cushioning | Magnet for position sensing |
|-------------|----------------------------------------|-------------|--------------|-----------------------------|
| DNGL | 1 1/4 1 5/8 2 2 1/2 3 4 | 0.4 ... 24 | PPV | A |
| DNGL | - 3 | - 20 | - PPV | - A |

Ordering table

| Size | 1 1/4 | 1 5/8 | 2 | 2 1/2 | 3 | 4 | Code | Enter code | |
|-------------------------------------------|-----------------------------------------------------------|------------|------------|------------|---|---|-------------|------------|------|
| M Function | Non-rotating piston rod, standard cylinder, double-acting | | | | | | DNGL | | DNGL |
| Piston Ø [in] | 1 1/4 | 1 5/8 | 2 | 2 1/2 | 3 | 4 | -... | | |
| Stroke [in] | 0.4 ... 12 | 0.4 ... 16 | 0.4 ... 20 | 0.4 ... 24 | | | -... | | |
| Cushioning | Adjustable air cushioning at both ends | | | | | | -PPV | | -PPV |
| Magnet for position sensing ¹⁾ | Standard | | | | | | -A | | -A |

1) Position sensing via magnetic proximity sensor (ordered separately, see accessories).

Transfer order code

| | | | | | | | | |
|-------------|---|--|---|--|---|------------|---|----------|
| DNGL | - | | - | | - | PPV | - | A |
|-------------|---|--|---|--|---|------------|---|----------|

Tie rod cylinders, with adjustable trunnion mounting DNGZK - Inch Series



Ordering data

M Mandatory data

| Function | Piston Ø | Stroke | Cushioning | Magnet for position sensing |
|--------------|--------------------------------------------------|--------------|--------------|-----------------------------|
| DNGZK | 1 1/4 1 5/8 2 2 1/2 3 4 5 6 | 0.4 ... 78.7 | PPV | A |
| DNGZK | - 3 | - 60 | - PPV | - A |

Ordering table

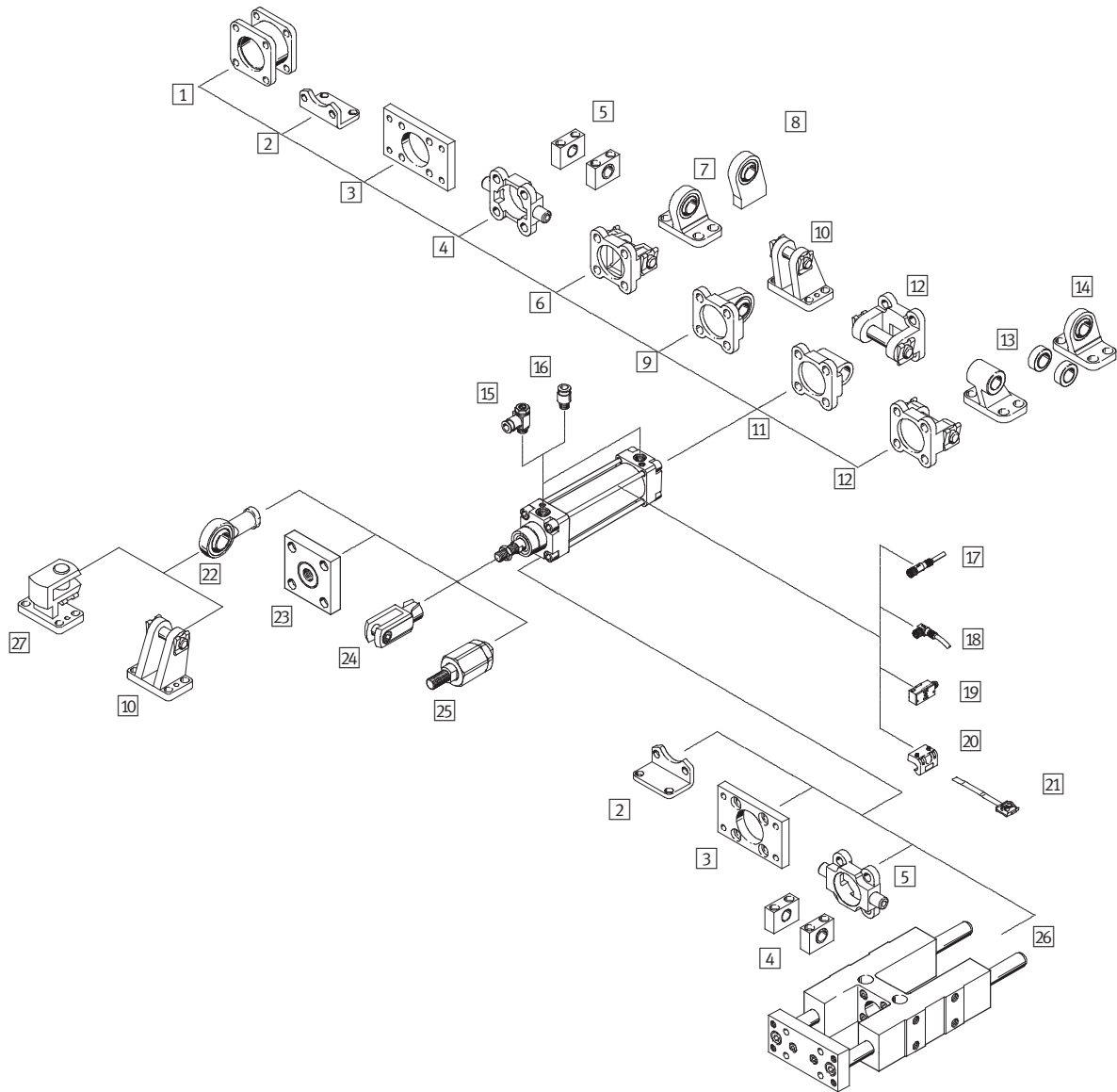
| Size | 1 1/4 | 1 5/8 | 2 | 2 1/2 | 3 | 4 | 5 | 6 | Code | Enter code | |
|-------------------------------------------|-----------------------------------------------------------------------------|-------|---|-------|---|---|---|---|--------------|------------|-------|
| M Function | Adjustable standard cylinder, double-acting, with central trunnion mounting | | | | | | | | DNGZK | | DNGZK |
| Piston Ø [in] | 1 1/4 | 1 5/8 | 2 | 2 1/2 | 3 | 4 | 5 | 6 | -... | | |
| Stroke [in] | 0.4 ... 78.7 | | | | | | | | -... | | |
| Cushioning | Adjustable air cushioning at both ends | | | | | | | | -PPV | | -PPV |
| Magnet for position sensing ¹⁾ | For use with magnetic proximity sensor | | | | | | | | -A | | -A |

Transfer order code

| | | | | | | | | |
|--------------|---|--|---|--|---|------------|---|----------|
| DNGZK | - | | - | | - | PPV | - | A |
|--------------|---|--|---|--|---|------------|---|----------|

Tie rod cylinders DNG/DNGL/DNGZK - Inch Series

Accessories overview



| Mounting attachments and accessories | | |
|--------------------------------------|------------------------|--------------------------------------------------------------------------------------------------------|
| | Description | |
| 1 | Adapter kit DPNG | For connecting two DNG cylinders with identical piston \varnothing to form a multi-position cylinder |
| 2 | Foot mounting HNG | For bearing and end caps |
| 3 | Flange mounting FNG | For bearing or end caps |
| 4 | Trunnion flange ZNG | For bearing or end caps |
| 5 | Trunnion support | For bearing or end caps |
| 6 | Swivel flange SNG | For end caps |

Tie rod cylinders DNG/DNGL/DNGZK - Inch Series

Accessories overview

FESTO

| Mounting attachments and accessories | | Description |
|--------------------------------------|-----------------------------------------------|------------------------------------------------------------|
| 7 | Clevis foot mounting LSNG | With spherical bearing |
| 8 | Clevis foot mounting LSNSG | Weld-on, with spherical bearing |
| 9 | Swivel flange SSNG | With spherical bearing for clevis foot mounting LBG |
| 10 | Clevis foot mounting LBG | With non-rotating pivot pin |
| 11 | Swivel flange SNGL | For end caps |
| 12 | Swivel flange SNGB | For end caps |
| 13 | Clevis foot mounting LNG | For swivel flange SNGB |
| 14 | Clevis foot mounting LSN | With spherical bearing |
| 15 | One-way flow control valve GRLA | For speed regulation |
| 16 | Push-in fitting QS | For connecting compressed air tubing with standard O.D. |
| 17 | Plug socket with cable, straight SIM-M8 | – |
| 18 | Plug socket with cable, angled SIM-M8 | – |
| 19 | Proximity sensors SMEO-1/SMTO-1/SMPO-1-H-B | – |
| 20 | Sensor mounting kit SMB | For proximity sensor SMEO-1/SMTO-1 |
| 21 | Sensor mounting kit SMBS | For proximity sensor SMPO-1-H-B |
| 22 | Rod eye SGS | With spherical bearing |
| 23 | Coupling piece KSZ | For compensating radial deviations |
| 24 | Rod clevis SG | Permits a swivelling movement of the cylinder in one plane |
| 25 | Self-aligning rod coupler FK | For compensating radial and angular deviations |
| 26 | Guided unit FENG | To protect against torsion at high torque loads |
| 27 | Right-angle clevis foot LQG | With non-rotating pivot pin |

Tie rod cylinders DNG/DNGL/DNGZK - Inch Series



Accessories

Adapter kit DPNG

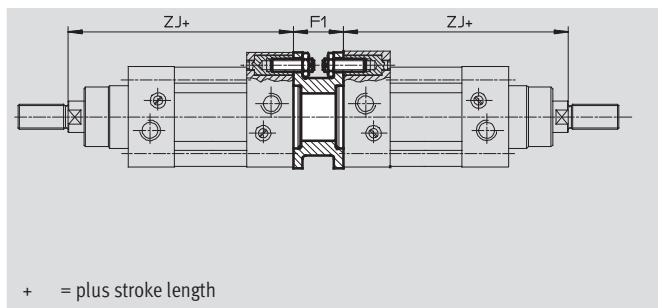
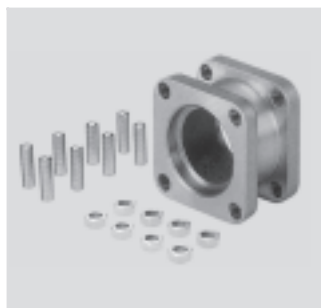
for piston \varnothing 1-1/4 ... 4 inch

Material:

Flange: Wrought aluminum alloy;

Threaded studs, hex nuts: Galvanized steel

Free of copper, PTFE and silicone



| Dimensions and ordering data | | | | | | | |
|------------------------------|-----|-----|---------------------------------------|-------------------|----------------|----------|----------|
| For \varnothing [in] | F1 | ZJ | Max. overall stroke length [in] | CRC ¹⁾ | Weight [oz] | Part No. | Type |
| 1-1/4 | 1.1 | 4.7 | 39.4 | 2 | 3.0 | 159485 | DPNG-32 |
| 1-5/8 | 1.1 | 5.3 | 39.4 | 2 | 4.1 | 159486 | DPNG-40 |
| 2 | 1.3 | 5.6 | 39.4 | 2 | 7.4 | 159487 | DPNG-50 |
| 2-1/2 | 1.1 | 6.2 | 39.4 | 2 | 12.7 | 159488 | DPNG-63 |
| 3 | 1.5 | 6.9 | 39.4 | 2 | 21.9 | 159489 | DPNG-80 |
| 4 | 1.5 | 7.4 | 39.4 | 2 | 42.0 | 159490 | DPNG-100 |

1) Corrosion resistance class 2 according to Festo standard 940 070
Components with moderate corrosion resistance for use in normal industrial environments subjected to contact with coolants or lubricating agents.

Connecting two cylinders with identical piston \varnothing as a 3 or 4-position cylinder

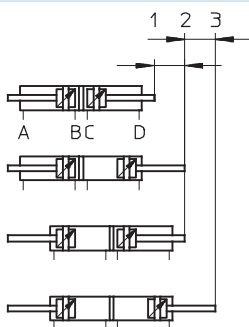
A 3 or 4-position cylinder consists of two separate cylinders whose piston rods advance in opposing directions. This means that depending upon actuation and stroke pattern, this type

of cylinder can assume up to four positions. In each case the cylinder is driven precisely against a stop. Note that when one end of the piston rod is

fixed, the cylinder barrel executes the movement. The cylinder must be connected with flexible line connections.

To achieve 3 positions

Two cylinders with identical stroke length must be connected together.

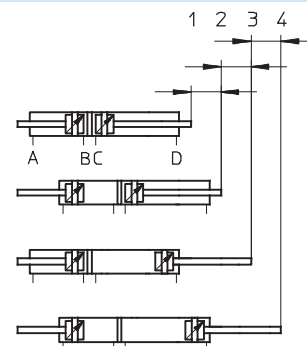


Note

Do not exceed the maximum overall stroke length listed when combining cylinders and the adapter kit.

To achieve 4 positions

Two cylinders with different stroke lengths must be connected together.



Dimensions are in inches, unless otherwise noted.

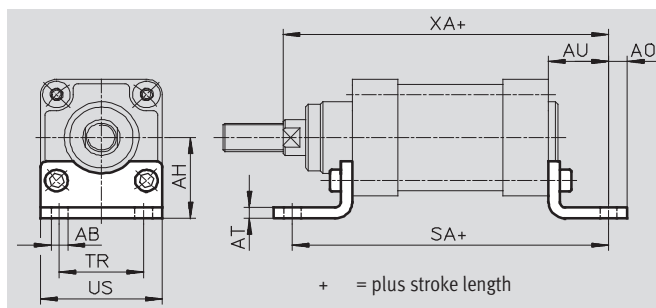
Tie rod cylinders DNG/DNGL/DNGZK - Inch Series



Accessories

Foot mounting HNG

Material:
Galvanized steel
Free of copper, PTFE and silicone

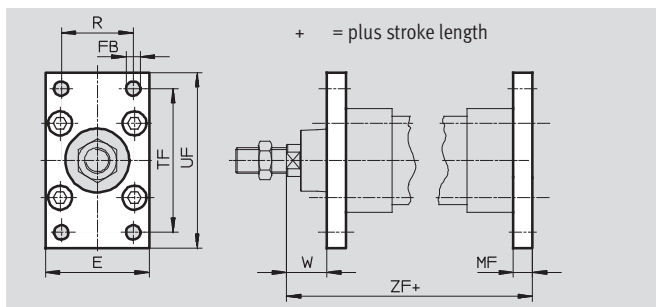
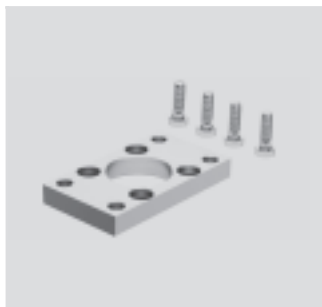


| Dimensions and ordering data | | | | | | | | | | | | | |
|------------------------------|------|-----|-----|-----|-----|------|-----|-----|------|-------------------|-------------|----------|---------|
| For Ø [in] | AB Ø | AH | AO | AT | AU | SA | TR | US | XA | CRC ¹⁾ | Weight [oz] | Part No. | Type |
| 1-1/4 | 0.3 | 1.3 | 0.3 | 0.2 | 0.9 | 5.6 | 1.3 | 1.8 | 5.7 | 2 | 7.9 | 32947 | HNG-32 |
| 1-5/8 | 0.4 | 1.4 | 0.4 | 0.2 | 1.1 | 6.3 | 1.4 | 2.1 | 6.4 | 2 | 9.5 | 32948 | HNG-40 |
| 2 | 0.4 | 1.8 | 0.4 | 0.2 | 1.3 | 6.7 | 1.8 | 2.5 | 6.9 | 2 | 14.1 | 32949 | HNG-50 |
| 2-1/2 | 0.4 | 2.0 | 0.5 | 0.2 | 1.3 | 7.3 | 2.0 | 3.0 | 7.5 | 2 | 16.9 | 32950 | HNG-63 |
| 3 | 0.5 | 2.5 | 0.6 | 0.2 | 1.6 | 8.3 | 2.5 | 3.7 | 8.5 | 2 | 38.1 | 32951 | HNG-80 |
| 4 | 0.6 | 2.8 | 0.7 | 0.2 | 1.6 | 8.7 | 3.0 | 4.3 | 9.1 | 2 | 44.1 | 32952 | HNG-100 |
| 5 | 0.6 | 3.5 | 0.9 | 0.3 | 1.8 | 9.8 | 3.5 | 5.2 | 10.6 | 2 | 71.4 | 32953 | HNG-125 |
| 6 | 0.7 | 4.5 | 0.8 | 0.4 | 2.4 | 11.8 | 4.5 | 6.7 | 12.6 | 2 | 77.6 | 34476 | HNG-160 |

1) Corrosion resistance class 2 according to Festo standard 940 070
Components with moderate corrosion resistance for use in normal industrial environments subjected to contact with coolants or lubricating agents.

Flange mounting FNG

Material:
FNG-32 ... 100: Galvanized steel
FNG-125 ... 160: Painted nodular graphite cast iron
Free of copper, PTFE and silicone



| Dimensions and ordering data | | | | | | | | | | | | | |
|------------------------------|-----|------|-----|-----|-----|------|-----|------|-------------------|-------------|----------|---------|--|
| For Ø [in] | E | FB Ø | MF | R | TF | UF | W | ZF | CRC ¹⁾ | Weight [oz] | Part No. | Type | |
| 1-1/4 | 1.8 | 0.3 | 0.4 | 1.3 | 2.5 | 3.1 | 0.6 | 5.1 | 2 | 8.6 | 32940 | FNG-32 | |
| 1-5/8 | 2.1 | 0.4 | 0.4 | 1.4 | 2.8 | 3.5 | 0.8 | 5.7 | 2 | 10.2 | 32941 | FNG-40 | |
| 2 | 2.6 | 0.4 | 0.5 | 1.8 | 3.5 | 4.3 | 1.0 | 6.1 | 2 | 18.3 | 32942 | FNG-50 | |
| 2-1/2 | 3.0 | 0.4 | 0.5 | 2.0 | 3.9 | 4.7 | 1.0 | 6.7 | 2 | 24.3 | 32943 | FNG-63 | |
| 3 | 3.7 | 0.5 | 0.6 | 2.5 | 5.0 | 5.9 | 1.2 | 7.5 | 2 | 58.6 | 32944 | FNG-80 | |
| 4 | 4.3 | 0.6 | 0.6 | 3.0 | 5.9 | 6.9 | 1.4 | 8.1 | 2 | 84.5 | 32945 | FNG-100 | |
| 5 | 5.5 | 0.6 | 0.8 | 3.5 | 7.1 | 8.7 | 1.8 | 9.6 | 2 | 160.8 | 32946 | FNG-125 | |
| 6 | 7.1 | 0.7 | 0.8 | 4.5 | 9.1 | 11.0 | 2.4 | 11.0 | 2 | 218.7 | 34478 | FNG-160 | |

1) Corrosion resistance class 2 according to Festo standard 940 070
Components with moderate corrosion resistance for use in normal industrial environments subjected to contact with coolants or lubricating agents.

Dimensions are in inches, unless otherwise noted.

Tie rod cylinders DNG/DNGL/DNGZK - Inch Series



Accessories

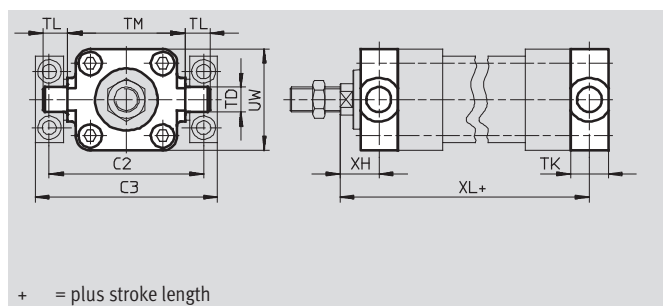
Trunnion flange ZNG

for trunnion mounting

Material:

Corrosion resistant cast steel

Free of copper, PTFE and silicone



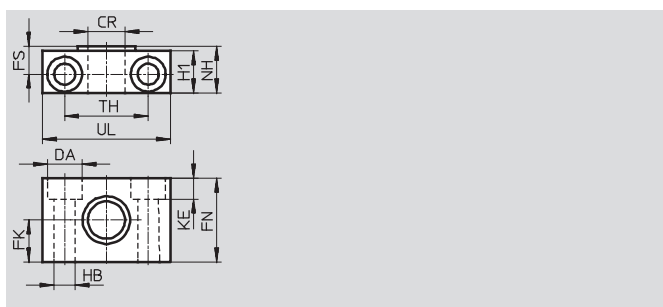
| Dimensions and ordering data | | | | | | | | | | | | | |
|------------------------------|-----|-----|---------------------|-----|-----|-----|-----|-----|-----|-------------------|----------------|----------|---------|
| For \varnothing [in] | C2 | C3 | TD \varnothing | TK | TL | TM | UW | XH | XL | CRC ¹⁾ | Weight [oz] | Part No. | Type |
| 1-1/4 | 2.8 | 3.4 | 0.5 | 0.6 | 0.5 | 2.0 | 2.0 | 0.7 | 5.0 | 2 | 6.7 | 31754 | ZNG-32 |
| 1-5/8 | 3.4 | 4.1 | 0.6 | 0.8 | 0.6 | 2.5 | 2.2 | 0.8 | 5.7 | 2 | 11.6 | 31755 | ZNG-40 |
| 2 | 3.9 | 4.6 | 0.6 | 0.9 | 0.6 | 3.0 | 2.6 | 1.0 | 6.1 | 2 | 18.9 | 31756 | ZNG-50 |
| 2-1/2 | 4.6 | 5.4 | 0.8 | 0.9 | 0.8 | 3.5 | 3.0 | 1.0 | 6.7 | 2 | 28.2 | 31757 | ZNG-63 |
| 3 | 5.4 | 6.1 | 0.8 | 1.1 | 0.8 | 4.3 | 3.9 | 1.3 | 7.4 | 2 | 48.7 | 31758 | ZNG-80 |
| 4 | 6.5 | 7.4 | 1.0 | 1.5 | 1.0 | 5.2 | 4.7 | 1.3 | 8.2 | 2 | 96.8 | 31759 | ZNG-100 |
| 5 | 7.6 | 8.5 | 1.0 | 2.0 | 1.0 | 6.3 | 5.9 | 1.6 | 9.8 | 2 | 179.9 | 31760 | ZNG-125 |

1) Corrosion resistance class 2 according to Festo standard 940 070
Components with moderate corrosion resistance for use in normal industrial environments subjected to contact with coolants or lubricating agents.

Trunnion support LNZG

Material:

Galvanized steel



| Dimensions and ordering data | | | | | | | | | | | | | | | |
|------------------------------|---------------------|---------------------|---------------------|-----|-----|-----|---------------------|-----|-----|-----|-----|-------------------|----------------|----------|--------------|
| For \varnothing [in] | CR \varnothing | DA \varnothing | FK \varnothing | FN | FS | H1 | HB \varnothing | KE | NH | TH | UL | CRC ¹⁾ | Weight [oz] | Part No. | Type |
| 1-1/4 | 0.5 | 0.4 | 0.6 | 1.2 | 0.4 | 0.6 | 0.3 | 0.3 | 0.7 | 1.3 | 1.8 | 2 | 4.4 | 32959 | LNZG-32 |
| 1-5/8, 2 | 0.6 | 0.6 | 0.7 | 1.4 | 0.5 | 0.7 | 0.4 | 0.4 | 0.8 | 1.4 | 2.2 | 2 | 14.1 | 32960 | LNZG-40/50 |
| 2-1/2, 3 | 0.8 | 0.7 | 0.8 | 1.6 | 0.5 | 0.8 | 0.4 | 0.4 | 0.9 | 1.7 | 2.6 | 2 | 16.9 | 32961 | LNZG-63/80 |
| 4, 5 | 1.0 | 0.8 | 1.0 | 2.0 | 0.6 | 1.0 | 0.5 | 0.5 | 1.1 | 2.0 | 3.0 | 2 | 33.9 | 32962 | LNZG-100/125 |
| 6 | 1.3 | 1.0 | 1.2 | 2.4 | 0.9 | 1.4 | 0.7 | 0.7 | 1.6 | 2.4 | 3.6 | 2 | 69.3 | 35780 | LNZG-160/200 |

1) Corrosion resistance class 2 according to Festo standard 940 070
Components with moderate corrosion resistance for use in normal industrial environments subjected to contact with coolants or lubricating agents.

Dimensions are in inches, unless otherwise noted.

Tie rod cylinders DNG/DNGL/DNGZK - Inch Series

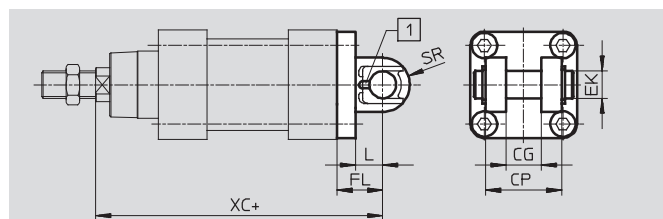


Accessories

Swivel flange SNG

for clevis foot LSNG/LSNSG

Material:
Die-cast aluminum



1 The pivot pin is secured against rotation with a dowel pin.
+ = plus stroke length

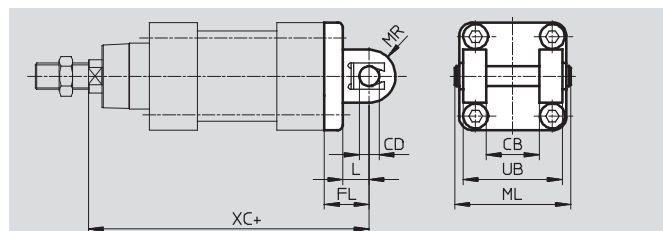
| Dimensions and ordering data | | | | | | | | | | | |
|------------------------------|-----|-----|------|-----|-----|-----|------|-------------------|-------------|----------|---------|
| For Ø [in] | CG | CP | EK Ø | FL | L | SR | XC | CRC ¹⁾ | Weight [oz] | Part No. | Type |
| 1-1/4 | 0.6 | 1.3 | 0.4 | 0.9 | 0.5 | 0.4 | 5.6 | 2 | 6.7 | 32968 | SNG-32 |
| 1-5/8 | 0.6 | 1.6 | 0.5 | 1.0 | 0.6 | 0.5 | 6.3 | 2 | 9.5 | 32969 | SNG-40 |
| 2 | 0.8 | 1.8 | 0.6 | 1.1 | 0.6 | 0.6 | 6.7 | 2 | 15.7 | 32970 | SNG-50 |
| 2-1/2 | 0.8 | 2.0 | 0.6 | 1.3 | 0.8 | 0.7 | 7.5 | 2 | 23.8 | 32971 | SNG-63 |
| 3 | 1.0 | 2.6 | 0.8 | 1.4 | 0.9 | 0.8 | 8.3 | 2 | 44.6 | 32972 | SNG-80 |
| 4 | 1.0 | 3.0 | 0.8 | 1.6 | 1.1 | 0.9 | 9.1 | 2 | 63.1 | 32973 | SNG-100 |
| 5 | 1.5 | 3.8 | 1.2 | 2.0 | 1.2 | 1.0 | 10.8 | 2 | 141.1 | 32974 | SNG-125 |
| 6 | 1.7 | 4.8 | 1.4 | 2.2 | 1.4 | 1.3 | 12.4 | 2 | 231.3 | 152597 | SNG-160 |

1) Corrosion resistance class 2 according to Festo standard 940 070
Components with moderate corrosion resistance for use in normal industrial environments subjected to contact with coolants or lubricating agents.

Swivel flange SNGB

for clevis foot LN/LSN

Material:
Die-cast aluminum



+ = plus stroke length

| Dimensions and ordering data | | | | | | | | | | | | |
|------------------------------|------|------|-----|-----|-----|-----|-----|------|-------------------|-------------|----------|----------|
| For Ø [in] | CB Ø | CD Ø | FL | L | ML | MR | UB | XC | CRC ¹⁾ | Weight [oz] | Part No. | Type |
| 1-1/4 | 1.0 | 0.4 | 0.9 | 0.5 | 2.2 | 0.4 | 1.8 | 5.6 | 2 | 4.4 | 34540 | SNGB-32 |
| 1-5/8 | 1.1 | 0.5 | 1.0 | 0.6 | 2.5 | 0.5 | 2.0 | 6.3 | 2 | 6.2 | 34541 | SNGB-40 |
| 2 | 1.3 | 0.5 | 1.1 | 0.6 | 2.8 | 0.5 | 2.4 | 6.7 | 2 | 8.6 | 34542 | SNGB-50 |
| 2-1/2 | 1.6 | 0.6 | 1.3 | 0.8 | 3.3 | 0.6 | 2.8 | 7.5 | 2 | 13.4 | 34543 | SNGB-63 |
| 3 | 2.0 | 0.6 | 1.4 | 0.9 | 4.1 | 0.6 | 3.5 | 8.3 | 2 | 21.5 | 34544 | SNGB-80 |
| 4 | 2.4 | 0.8 | 1.6 | 1.1 | 5.0 | 0.8 | 4.3 | 9.1 | 2 | 36.7 | 34545 | SNGB-100 |
| 5 | 2.8 | 1.0 | 2.0 | 1.2 | 5.8 | 1.0 | 5.1 | 10.8 | 2 | 61.7 | 34546 | SNGB-125 |
| 6 | 3.5 | 1.2 | 2.2 | 1.4 | 7.4 | 1.0 | 6.7 | 12.4 | 2 | 109.3 | 34547 | SNGB-160 |

1) Corrosion resistance class 2 according to Festo standard 940 070
Components with moderate corrosion resistance for use in normal industrial environments subjected to contact with coolants or lubricating agents.

Dimensions are in inches, unless otherwise noted.

Tie rod cylinders DNG/DNGL/DNGZK - Inch Series

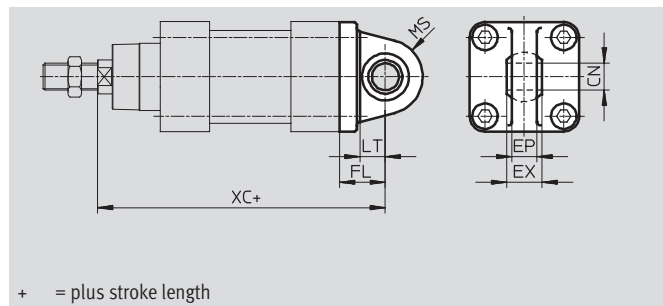


Accessories

Swivel flange SSNG

with spherical bearing
for clevis foot LBG

Material:
Nodular graphite cast iron



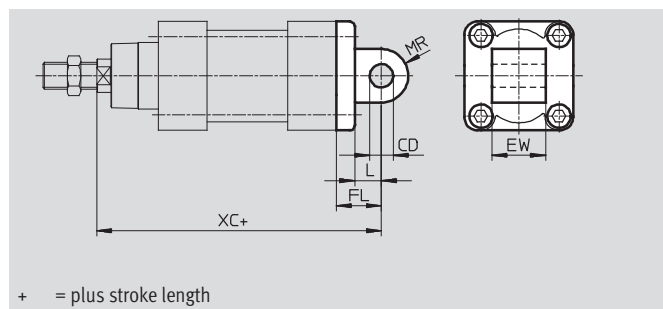
+ = plus stroke length

| Dimensions and ordering data | | | | | | | | | | | |
|------------------------------|---------------------|-----|-----|-----|-----|-----|------|-------------------|----------------|----------|----------|
| For \varnothing [in] | CN \varnothing | EP | EX | FL | LT | MS | XC | CRC ¹⁾ | Weight [oz] | Part No. | Type |
| 1-1/4 | 0.4 | 0.4 | 0.6 | 0.9 | - | 0.6 | 5.6 | 2 | 6.9 | 34291 | SSNG-32 |
| 1-5/8 | 0.5 | 0.5 | 0.6 | 1.0 | - | 0.7 | 6.3 | 2 | 9.0 | 34292 | SSNG-40 |
| 2 | 0.6 | 0.6 | 0.8 | 1.1 | - | 0.8 | 6.7 | 2 | 15.2 | 34293 | SSNG-50 |
| 2-1/2 | 0.6 | 0.6 | 0.8 | 1.3 | 0.7 | 0.9 | 7.5 | 2 | 19.9 | 34294 | SSNG-63 |
| 3 | 0.8 | 0.7 | 1.0 | 1.4 | 0.8 | 1.1 | 8.3 | 2 | 33.2 | 34295 | SSNG-80 |
| 4 | 0.8 | 0.7 | 1.0 | 1.6 | 0.9 | 1.2 | 9.1 | 2 | 53.3 | 34296 | SSNG-100 |
| 5 | 1.2 | 1.0 | 1.5 | 2.0 | 1.1 | 1.6 | 10.8 | 2 | 108.7 | 34568 | SSNG-125 |

1) Corrosion resistance class 2 according to Festo standard 940 070
Components with moderate corrosion resistance for use in normal industrial environments subjected to contact with coolants or lubricating agents.

Swivel flange SNGL

Material:
Die-cast aluminum



+ = plus stroke length

| Dimensions and ordering data | | | | | | | | | | | |
|------------------------------|---------------------|-----|-----|-----|-----|------|-------------------|----------------|----------|----------|--|
| For \varnothing [in] | CD \varnothing | EW | FL | L | MR | XC | CRC ¹⁾ | Weight [oz] | Part No. | Type | |
| 1-1/4 | 0.4 | 1.0 | 0.9 | 0.5 | 0.4 | 5.6 | 2 | 2.6 | 151527 | SNGL-32 | |
| 1-5/8 | 0.5 | 1.1 | 1.0 | 0.6 | 0.5 | 6.3 | 2 | 3.7 | 151528 | SNGL-40 | |
| 2 | 0.5 | 1.3 | 1.1 | 0.6 | 0.5 | 6.7 | 2 | 6.5 | 151529 | SNGL-50 | |
| 2-1/2 | 0.6 | 1.6 | 1.3 | 0.8 | 0.6 | 7.5 | 2 | 9.5 | 151530 | SNGL-63 | |
| 3 | 0.6 | 2.0 | 1.4 | 0.9 | 0.6 | 8.3 | 2 | 17.7 | 151531 | SNGL-80 | |
| 4 | 0.8 | 2.4 | 1.6 | 1.1 | 0.8 | 9.1 | 2 | 27.1 | 151532 | SNGL-100 | |
| 5 | 1.0 | 2.8 | 2.0 | 1.2 | 1.0 | 10.8 | 2 | 50.5 | 151533 | SNGL-125 | |
| 6 | 1.2 | 3.5 | 2.2 | 1.4 | 1.0 | 12.4 | 2 | 79.4 | 151534 | SNGL-160 | |

1) Corrosion resistance class 2 according to Festo standard 940 070
Components with moderate corrosion resistance for use in normal industrial environments subjected to contact with coolants or lubricating agents.

Dimensions are in inches, unless otherwise noted.

Tie rod cylinders DNG/DNGL/DNGZK - Inch Series

Accessories

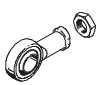
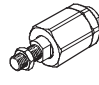
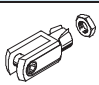
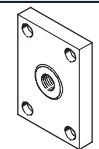
| Ordering data – Mounting attachments | | | | Ordering data – Mounting attachments | | | |
|--------------------------------------|------------|----------|----------|--------------------------------------|------------|----------|-----------|
| Designation | For Ø [in] | Part No. | Type | Designation | For Ø [in] | Part No. | Type |
| Clevis foot LSNG | | | | Weld-on clevis foot LSNSG | | | |
| | 1-1/4 | 31740 | LSNG-32 | | 1-1/4 | 31747 | LSNSG-32 |
| | 1-5/8 | 31741 | LSNG-40 | | 1-5/8 | 31748 | LSNSG-40 |
| | 2 | 31742 | LSNG-50 | | 2 | 31749 | LSNSG-50 |
| | 2-1/2 | 31743 | LSNG-63 | | 2-1/2 | 31750 | LSNSG-63 |
| | 3 | 31744 | LSNG-80 | | 3 | 31751 | LSNSG-80 |
| | 4 | 31745 | LSNG-100 | | 4 | 31752 | LSNSG-100 |
| | 5 | 31746 | LSNG-125 | | 5 | 31753 | LSNSG-125 |
| 6 | 152599 | LSNG-160 | 6 | - | | | |
| Clevis foot LBG | | | | Clevis foot LNG | | | |
| | 1-1/4 | 31761 | LBG-32 | | 1-1/4 | 33890 | LNG-32 |
| | 1-5/8 | 31762 | LBG-40 | | 1-5/8 | 33891 | LNG-40 |
| | 2 | 31763 | LBG-50 | | 2 | 33892 | LNG-50 |
| | 2-1/2 | 31764 | LBG-63 | | 2-1/2 | 33893 | LNG-63 |
| | 3 | 31765 | LBG-80 | | 3 | 33894 | LNG-80 |
| | 4 | 31766 | LBG-100 | | 4 | 33895 | LNG-100 |
| | 5 | 31767 | LBG-125 | | 5 | 33896 | LNG-125 |
| 6 | - | | 6 | - | | | |
| Clevis foot LSN | | | | Clevis foot, right-angled LQG | | | |
| | 1-1/4 | 5561 | LSN-32 | | 1-1/4 | 31768 | LQG-32 |
| | 1-5/8 | 5562 | LSN-40 | | 1-5/8 | 31769 | LQG-40 |
| | 2 | 5563 | LSN-50 | | 2 | 31770 | LQG-50 |
| | 2-1/2 | 5564 | LSN-63 | | 2-1/2 | 31771 | LQG-63 |
| | 3 | 5565 | LSN-80 | | 3 | 31772 | LQG-80 |
| | 4 | 5566 | LSN-100 | | 4 | 31773 | LQG-100 |
| | 5 | 6987 | LSN-125 | | 5 | 31774 | LQG-125 |
| 6 | 6988 | LSN-160 | 6 | - | | | |

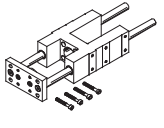
| Ordering data – One-way flow control valves | | | |
|---------------------------------------------|------------|------------------------------|-------------------------------|
| | Connection | | Part No. Type |
| | Thread | For tubing OD | |
| | 1/8 NPT | 5/32" | 165009 GRLA-1/8-NPT-QS-5/32-U |
| | | 3/16" | 190941 GRLA-1/8-NPT-QS-3/16-U |
| | | 1/4" | 165010 GRLA-1/8-NPT-QS-1/4-U |
| | | 5/16" | 165013 GRLA-1/8-NPT-QS-5/16-U |
| | 1/4 NPT | 3/16" | 190944 GRLA-1/4-NPT-QS-3/16-U |
| | | 1/4" | 165011 GRLA-1/4-NPT-QS-1/4-U |
| | | 5/16" | 165014 GRLA-1/4-NPT-QS-5/16-U |
| | | 3/8" | 190947 GRLA-1/4-NPT-QS-3/8-U |
| | 3/8 NPT | 1/4" | 165012 GRLA-3/8-NPT-QS-1/4-U |
| | | 5/16" | 165015 GRLA-3/8-NPT-QS-5/16-U |
| | | 3/8" | 190950 GRLA-3/8-NPT-QS-3/8-U |
| | | 1/2" | 190951 GRLA-3/8-NPT-QS-1/2-U |
| | 1/2 NPT | 3/8" | 190952 GRLA-1/2-NPT-QS-3/8-U |
| 1/2" | | 190953 GRLA-1/2-NPT-QS-1/2-U | |

Tie rod cylinders DNG/DNGL/DNGZK - Inch Series



Accessories

| Ordering data – Piston rod attachments | | | | Ordering data – Piston rod attachments | | | |
|-----------------------------------------------------------------------------------|------------|--------------|--------------|-----------------------------------------------------------------------------------|-------------|----------|----------------|
| Designation | For Ø [in] | Part No. | Type | Designation | For Ø [in] | Part No. | Type |
| Rod eye SGS | | | | Self-aligning rod coupler FK | | | |
|  | 1-1/4 | 532696 | SGS-3/8-24 |  | 1-1/4 | 532705 | FK-3/8-24 |
| | 1-5/8 | 532697 | SGS-1/2-20 | | 1-5/8 | 532706 | FK-1/2-20 |
| | 2 | 532698 | SGS-5/8-18 | | 2 | 532707 | FK-5/8-18 |
| | 2-1/2 | | | | | | |
| | 3 | 532699 | SGS-3/4-16 | | 3 | 532708 | FK-3/4-16 |
| | 4 | | | | 4 | | |
| | 5 | 532700 | SGS-1-12 | | 4 | 532709 | FK-1-12 |
| 6 | 532701 | SGS-1 1/2-12 | 6 | 532710 | FK-1 1/2-12 | | |
| Rod clevis SG | | | | Coupling piece KSZ | | | |
|  | 1-1/4 | 546540 | SG-3/8"-24-B |  | 1-1/4 | 36129 | KSZ-3/8-24-UNF |
| | 1-5/8 | 546545 | SG-1/2-20-B | | 1-5/8 | 36130 | KSZ-1/2-20-UNF |
| | 2 | 546575 | SG-5/8-18-B | | 2 | 36131 | KSZ-5/8-18-UNF |
| | 2-1/2 | | | | | | |
| | 3 | 546576 | SG-3/4-16-B | | 3 | 36132 | KSZ-3/4-16-UNF |
| | 4 | | | | 4 | | |
| | 5 | - | - | | 5 | - | - |
| 6 | | | | | | | |

| Ordering data – Guide units for variable strokes | | | | | | |
|-------------------------------------------------------------------------------------|------------|-------------|---------------------------------------|--------------------|--------------------------|------------------|
| | For Ø [in] | Stroke [in] | With recirculating ball bearing guide | | With plain bearing guide | |
| | | | Part No. | Type | Part No. | Type |
|  | 1-1/4 | 0.39 ... 20 | 151746 | FENG-1 1/4"-...-KF | 151740 | FENG-1 1/4"-...- |
| | 1-5/8 | 0.39 ... 20 | 151747 | FENG-1 5/8"-...-KF | 151741 | FENG-1 5/8"-...- |
| | 2 | 0.39 ... 20 | 151748 | FENG-2"-...-KF | 151742 | FENG-2"-...- |
| | 2-1/2 | 0.39 ... 20 | 151749 | FENG-2 1/2"-...-KF | 151743 | FENG-2 1/2"-...- |
| | 3 | 0.39 ... 20 | 151750 | FENG-3"-...-KF | 151744 | FENG-3"-...- |
| | 4 | 0.39 ... 20 | 151751 | FENG-4"-...-KF | 151745 | FENG-4"-...- |

Tie rod cylinders DNG/DNGL/DNGZK - Inch Series

Accessories



| Ordering data – Block-shaped proximity sensor, magneto-resistive | | | | | | | |
|------------------------------------------------------------------|------------------|---------------|-----------------------|---------|-------------------|----------|----------------------|
| | Mounting | Switch output | Electrical connection | | Cable length [ft] | Part No. | Type |
| | | | Cables | M8 plug | | | |
| NO contact | | | | | | | |
| | Via mounting kit | PNP | 3-wire | – | 8.2 | 151683 | SMT0-1-PS-K-LED-24-C |
| | | | – | 3-pin | – | 151685 | SMT0-1-PS-S-LED-24-C |
| | | NPN | 3-wire | – | 8.2 | 151684 | SMT0-1-NS-K-LED-24-C |
| | | | – | 3-pin | – | 151686 | SMT0-1-NS-S-LED-24-C |

| Ordering data – Block-shaped proximity sensor, magnetic reed | | | | | | |
|--------------------------------------------------------------|------------------|-----------------------|---------|-------------------|----------|--------------------|
| | Mounting | Electrical connection | | Cable length [ft] | Part No. | Type |
| | | Cables | M8 plug | | | |
| NO contact | | | | | | |
| | Via mounting kit | 3-wire | – | 8.2 | 30459 | SME0-1-LED-24-B |
| | | 3-wire | – | 16.4 | 151672 | SME0-1-LED-24-K5-B |
| | | – | 3-pin | – | 150848 | SME0-1-S-LED-24-B |

| Ordering data – Block-shaped proximity sensor, pneumatic | | | | | | |
|----------------------------------------------------------|------------------|------------------------------------------|--|--|----------|------------|
| | Mounting | Pneumatic connection | | | Part No. | Type |
| 3/2-way valve, normally closed | | | | | | |
| | Via mounting kit | Barbed fitting for tubing ID of 1/8 inch | | | 31008 | SMPO-1-H-B |

| Ordering data – Sensor mounting kit | | | | | | |
|-------------------------------------|-------------|-------------------------------------------|----------|---------|-------|---------|
| | For Ø [in] | Mounting | Part No. | Type | | |
| | 1-1/4 ... 2 | Directly on the mounting or tie rod | 36162 | SMB-2-B | | |
| | 5 ... 6 | | | | | |
| | 2-1/2 ... 4 | | | | 36163 | SMB-3-B |
| | 1-1/4 ... 4 | On the cylinder barrel via clamping strap | 151226 | SMBS-2 | | |

| Ordering data – Plug sockets | | | | | | | |
|------------------------------|--------------|---------------|-----|------------|-------------------|----------|-------------------|
| | Mounting | Switch output | | Connection | Cable length [ft] | Part No. | Type |
| | | PNP | NPN | | | | |
| Straight socket | | | | | | | |
| | M8 union nut | ■ | ■ | 3-pin | 8.2 | 159420 | SIM-M8-3GD-2.5-PU |
| | | | | | 16.4 | 159421 | SIM-M8-3GD-5-PU |
| Angled plug socket | | | | | | | |
| | M8 union nut | ■ | ■ | 3-pin | 8.2 | 159422 | SIM-M8-3WD-2.5-PU |
| | | | | | 16.4 | 159423 | SIM-M8-3WD-5-PU |

Festo - Your Partner in Automation



1 Festo Inc.
5300 Explorer Drive
Mississauga, ON L4W 5G4
Canada

Festo Customer Interaction Center
Tel: 1 877 463 3786
Fax: 1 877 393 3786
Email: customer.service.ca@festo.com



2 Festo Pneumatic
Av. Ceylán 3,
Col. Tequesquináhuac
54020 Tlalnepantla,
Estado de México

Multinational Contact Center
01 800 337 8669
ventas.mexico@festo.com



3 Festo Corporation
1377 Motor Parkway
Suite 310
Islandia, NY 11749

Festo Customer Interaction Center
1 800 993 3786
1 800 963 3786
customer.service.us@festo.com



4 Regional Service Center
7777 Columbia Road
Mason, OH 45040

Connect with us



www.festo.com/socialmedia



www.festo.com

Subject to change