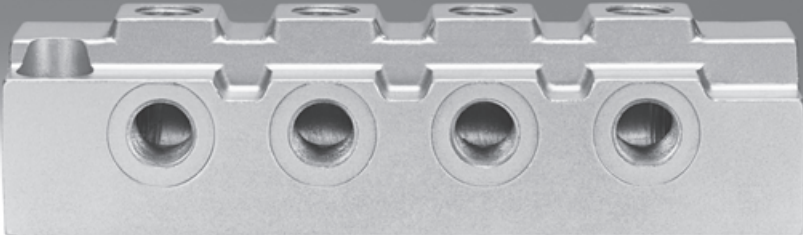




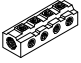


Distribution manifolds FR



# Distribution manifolds FR

Product range overview

FESTO

Series	Design	Type	Pneumatic connection		Number of		→ Page/ Internet
			Supply line	Outlet	Supply lines	Outlets	
Distribution manifold	<b>With 4 connections</b>						
		FR-4	G1/8	G1/8	1	3	3
			G1/4	G1/4			
			G3/8	G3/8			
			G1/2	G1/2			
		FR-4-1/4	G1/4	G1/4	1	3	3
	<b>With 8 connections</b>						
		FR-8	G3/8	G1/8	2	8	4
			G1/2	G1/4			
			G3/4	G1/2			
	<b>With 9 connections</b>						
		FR-9	G1/8	M3	1	9	5
<b>With 12 connections</b>							
	FR-12	G1/8	M5	2	12	5	

Operating and environmental conditions						
Type	FR-4	FR-4-1/4	FR-8	FR-9	FR-12	
Operating pressure [bar]	0 ... 16					
Operating medium	Compressed air according to ISO 8573-1:2010 [7:-:-]					
Note on operating/pilot medium	Lubricated operation possible (in which case lubricated operation will always be required)					
Ambient temperature [°C]	-10 ... +80		-10 ... +60		-10 ... +60	
Corrosion resistance class CRC <sup>1)</sup>	-	2	-	2	2	

1) Corrosion resistance class CRC 2 to Festo standard FN 940070  
Moderate corrosion stress. Indoor applications in which condensation may occur. External visible parts with primarily decorative requirements for the surface and which are in direct contact with the ambient atmosphere typical for industrial applications.

# Distribution manifolds FR

Technical data

## Distribution manifold FR-4

No. of supply lines: 1

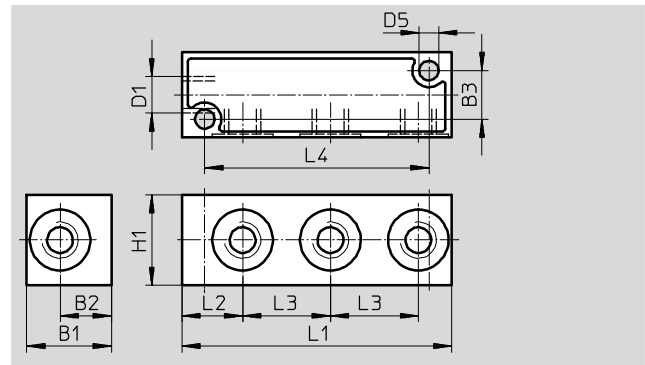
No. of outlets: 3

Material:

Die-cast aluminium

Note on materials:

RoHS-compliant



Dimensions										
Type	B1	B2	B3	D1	D5	H1	L1	L2	L3	L4
FR-4-1/8-B	20	11.6	13	G1/8	4.4	17	56	13.5	17	46
FR-4-1/4-C	28	17	16	G1/4	6.4	30	89	20	29	74
FR-4-3/8-B	32	19	20	G3/8	6.4	26	85	20	26	72
FR-4-1/2-B	38	22	25	G1/2	6.4	32	105	25	32	90

Ordering data					
Pneumatic connection		Nominal size	Weight	Part No.	Type
Female thread 1	Female thread 2	[mm]	[g]		
G1/8	G1/8	8.6	25	6701	FR-4-1/8-B
G1/4	G1/4	11.5	60	7849	FR-4-1/4-C
G3/8	G3/8	15	75	6703	FR-4-3/8-B
G1/2	G1/2	18.6	120	6704	FR-4-1/2-B

## Distribution manifold FR-4-1/4

No. of supply lines: 1

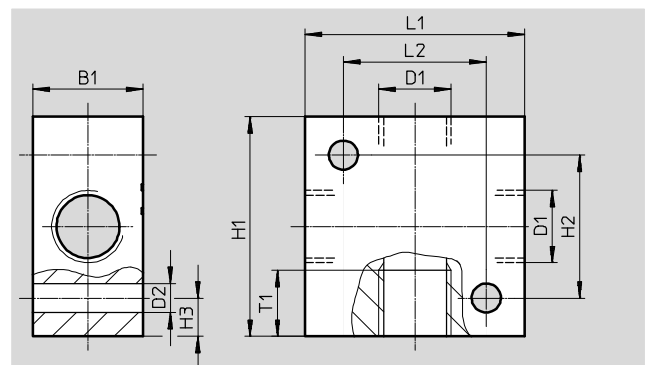
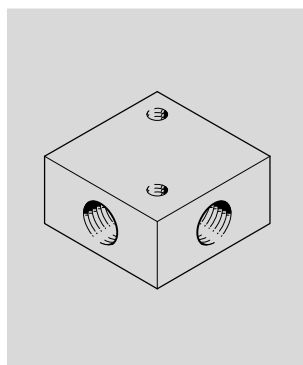
No. of outlets: 3

Material:

Anodised aluminium

Note on materials:

RoHS-compliant



Dimensions									
Type	B1	D1	D2 ∅	H1	H2	H3	L1	L2	T1
FR-4-1/4	20	G1/4	5.3	40	26	7	40	26	12

Ordering data					
Pneumatic connection		Nominal size	Weight	Part No.	Type
Female thread 1	Female thread 2	[mm]	[g]		
G1/4	G1/4	11.5	68	2960	FR-4-1/4

# Distribution manifolds FR

Technical data



## Distribution manifold FR-8

No. of supply lines: 2, including one sealed with a blanking plug

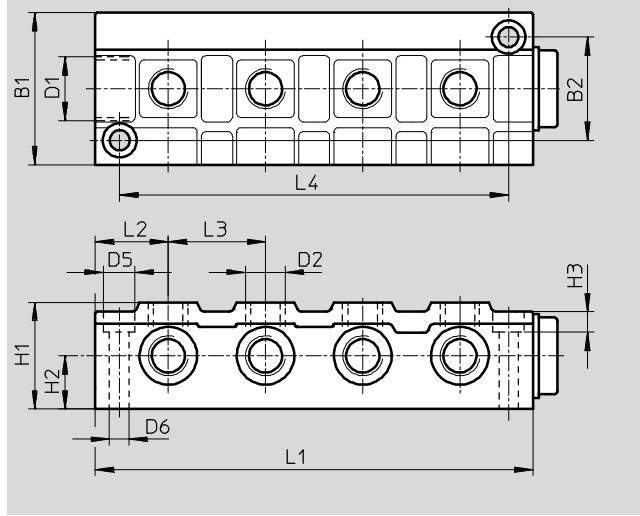
No. of outlets: 8

Material:

Die-cast aluminium

Note on materials:

RoHS-compliant



Dimensions													
Type	B1	B2	D1	D2	D5	D6	H1	H2	H3	L1	L2	L3	L4
FR-8-1/8	40	26	G3/8	G1/8	11	6.6	30	15	6.8	114	22.5	23	100
FR-8-1/4	50	34	G1/2	G1/4	11	6.6	35	17.5	6.8	144	24	32	128
FR-8-1/2	60	40	G3/4	G1/2	15	9	45	22.5	9	170	31	36	150

Ordering data					
Pneumatic connection		Nominal size	Weight	Part No.	Type
Female thread 1	Female thread 2	[mm]	[g]		
G3/8	G1/8	8.6	135	2077	FR-8-1/8
G1/2	G1/4	11.5	230	2078	FR-8-1/4
G3/4	G1/2	18.6	1000	6411	FR-8-1/2

# Distribution manifolds FR

Technical data

## Distribution manifold FR-9

No. of supply lines: 1

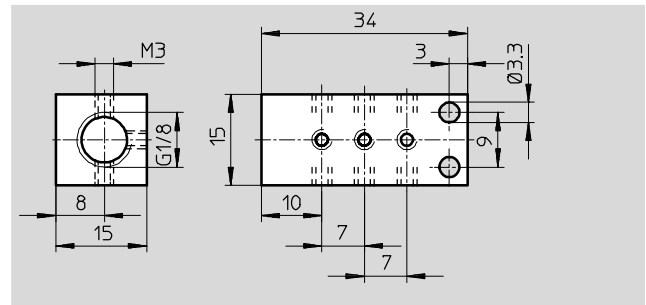
No. of outlets: 9

Material:

Anodised aluminium

Note on materials:

RoHS-compliant



Pneumatic connection		Nominal size	Weight	Part No.	Type
Female thread 1	Female thread 2	[mm]	[g]		
G1/8	M3	2.5	15	<b>30981</b>	<b>FR-9-M3-B</b>

## Distribution manifold FR-12

No. of supply lines: 2, including one sealed with a blanking plug

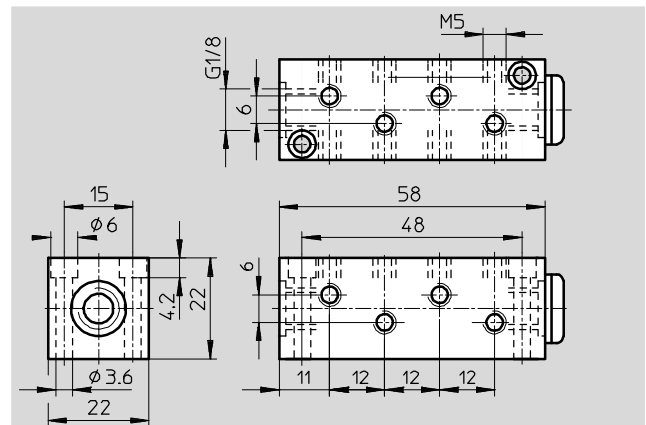
No. of outlets: 12

Material:

Anodised aluminium

Note on materials:

RoHS-compliant



Pneumatic connection		Nominal size	Weight	Part No.	Type
Female thread 1	Female thread 2	[mm]	[g]		
G1/8	M5	4.1	40	<b>4525</b>	<b>FR-12-M5</b>

# Festo - Your Partner in Automation



**1 Festo Inc.**  
 5300 Explorer Drive  
 Mississauga, ON L4W 5G4  
 Canada

**Festo Customer Interaction Center**  
 Tel: 1 877 463 3786  
 Fax: 1 877 393 3786  
 Email: [customer.service.ca@festo.com](mailto:customer.service.ca@festo.com)



**2 Festo Pneumatic**  
 Av. Ceylán 3,  
 Col. Tequesquináhuac  
 54020 Tlalnepantla,  
 Estado de México

**Multinational Contact Center**  
 01 800 337 8669  
[ventas.mexico@festo.com](mailto:ventas.mexico@festo.com)



**3 Festo Corporation**  
 1377 Motor Parkway  
 Suite 310  
 Islandia, NY 11749

**Festo Customer Interaction Center**  
 1 800 993 3786  
 1 800 963 3786  
[customer.service.us@festo.com](mailto:customer.service.us@festo.com)



**4 Regional Service Center**  
 7777 Columbia Road  
 Mason, OH 45040

Connect with us



[www.festo.com/socialmedia](http://www.festo.com/socialmedia)



[www.festo.com](http://www.festo.com)

Subject to change