



Regulator LR – Basic Version

Regulator, Type LR - Basic Version

1/8" - 1" NPT

Pressure Regulator

with Latching Regulator Cover and Pressure Gauge

Type LR-...-D-...-NPT



without pressure gauge

Type LR-...-D-O-...-NPT

The pressure regulator with secondary ventilation maintains a constant operating pressure (secondary side) despite fluctuations in line pressure (primary side) and the amount of air consumed.

This is a relieving-type regulator which will reduce over pressure on the pressure output.

Accessories:

Mounting Bracket, Type HFOE-.../HR-...

Pressure Gauges, Type MA-.../SDE1-...

Threaded bolt set, Type FRB-... used to combine a D-Series single unit with a pressure regulator.



Note: The Pressure Signal Conversion Unit, Type SDE1-... can be used as a digital-readout pressure indicator assembly on Regulator Units.

Order Number	Pressure Regulator	173644	173648	173652	173656	173660	173664	173668	173672
Part No. / Type	12 bar with gauge	LR-1/8-D-MINI-NPT	LR-1/4-D-MINI-NPT	LR-3/8-D-MINI-NPT	LR-3/8-D-MIDI-NPT	LR-1/2-D-MIDI-NPT	LR-3/4-D-MIDI-NPT	LR-3/4-D-MAXI-NPT	LR-1-D-MAXI-NPT
	Pressure Regulator	173646	173650	173654	173658	173662	173666	173670	173674
	7 bar with gauge	LR-1/8-D-7-MINI-NPT	LR-1/4-D-7-MINI-NPT	LR-3/8-D-7-MINI-NPT	LR-3/8-D-7-MIDI-NPT	LR-1/2-D-7-MIDI-NPT	LR-3/4-D-7-MIDI-NPT	LR-3/4-D-7-MAXI-NPT	LR-1-D-7-MAXI-NPT
	Pressure Regulator	173645	173649	173653	173657	173661	173665	173669	173673
	12 bar without gauge	LR-1/8-D-0-MINI-NPT	LR-1/4-D-0-MINI-NPT	LR-3/8-D-0-MINI-NPT	LR-3/8-D-0-MIDI-NPT	LR-1/2-D-0-MIDI-NPT	LR-3/4-D-0-MIDI-NPT	LR-3/4-D-0-MAXI-NPT	LR-1-D-0-MAXI-NPT
	Pressure Regulator	173647	173651	173655	173659	173663	173667	173671	173675
	7 bar without gauge	LR-1/8-D-7-0-MINI-NPT	LR-1/4-D-7-0-MINI-NPT	LR-3/8-D-7-0-MINI-NPT	LR-3/8-D-7-0-MIDI-NPT	LR-1/2-D-7-0-MIDI-NPT	LR-3/4-D-7-0-MIDI-NPT	LR-3/4-D-7-0-MAXI-NPT	LR-1-D-7-0-MAXI-NPT
	Mounting Brackets	159638 HFOE-D-MINI			159593 HFOE-D-MIDI/MAXI				
		164936 HR-D-MINI			162804 HR-D-MIDI		162805 HR-D-MAXI		
	Adapter for Pressure Signal Conversion Unit	161207 PENV-A-H-1/8-D			161208 PENV-A-H-3/8-D				
	Threaded Bolt Set	159642 FRB-D-MINI			159595 FRB-D-MIDI		159643 FRB-D-MAXI		
Medium	Compressed air (Filtered, lubricated or unlubricated)								
Design	MINI, MIDI: diaphragm regulator; MAXI: piston regulator								
Mounting	Conduit mounting, Mounting bracket, Installation								
Assembly Position	As desired								
Connection		1/8" NPT	1/4" NPT	3/8" NPT	3/8" NPT	1/2" NPT	3/4" NPT	3/4" NPT	1" NPT
Nominal Flow*	LR-...-D-...	28 scfm / 800 l/min	53 scfm / 1500 l/min	60 scfm / 1700 l/min	113 scfm / 3200 l/min	124 scfm / 3500 l/min	124 scfm / 3500 l/min	389 scfm / 11000 l/min	406 scfm / 11500 l/min
	LR-...-D-7-...	35 scfm / 1000 l/min	57 scfm / 1600 l/min	64 scfm / 1800 l/min	117 scfm / 3300 l/min	141 scfm / 4000 l/min	159 scfm / 4500 l/min	424 scfm / 12000 l/min	441 scfm / 12500 l/min
Primary Pressure Range	15 to 240 psi / 1 to 16 bar								
Working Pressure Range	7.5 to 180 psi / 0.5 to 12 bar or 7.5 to 105 psi / 0.5 to 7 bar								
Temperature Range	14 to 140°F / -10 to +60°C								
Materials	Housing: GD-Zn; Seals: Buna N; Adjustment knob: PA 6								
Weight		0.816 lb / 0.370 kg			1.720 lb / 0.780 kg		2.425 lb / 1.100 kg		2.646 lb / 1.200 kg

* At upstream pressure 150 psi / 10 bar, operating pressure 90 psi / 6 bar, and $\Delta p = 15$ psi / 1 bar.

Delivery: Short lead time

Regulator, Type LR - Basic Version

G $\frac{1}{8}$ – G1 ISO

Pressure Regulator

with Latching Regulator Cover and Pressure Gauge

Type LR-...-D-...



without pressure Gauge

Type LR-...-D-O-...

The pressure regulator with secondary ventilation maintains a constant operating pressure (secondary side) despite fluctuations in line pressure (primary side) and the amount of air consumed.

This is a relieving-type regulator which will reduce over pressure on the pressure output.

Accessories:

Mounting Bracket, Type HFOE-.../HR-...

Pressure Gauges, Type MA-.../SDE1-...

Threaded bolt set, Type FRB-... used to combine a D-Series single unit with a pressure regulator.



Pressure Regulators are available in two working pressure ranges: 174 psi / 12 bar and 102 psi / 7 bar.

Note: The Pressure Signal Conversion Unit, Type SDE1... can be used as a digital-readout pressure indicator assembly on Regulator Units.

Order Number	Pressure Regulator	159624	159625	162580	159530	159581	162581	159625	159627	192360	192364		
Part No. / Type	12 bar with gauge	LR-1/8-D-MINI	LR-1/4-D-MINI	LR-3/8-D-MINI	LR-3/8-D-MIDI	LR-1/2-D-MIDI	LR-3/4-D-MIDI	LR-3/4-D-MAXI	LR-1-D-MAXI	LR-3/4-D-DI-MAXI	LR-1-D-DI-MAXI		
	Pressure Regulator	162582	162583	162584	162585	162586	162587	162588	162589	192362	192366		
	7 bar with gauge	LR-1/8-D-7-MINI	LR-1/4-D-7-MINI	LR-3/8-D-7-MINI	LR-3/8-D-7-MIDI	LR-1/2-D-7-MIDI	LR-3/4-D-7-MIDI	LR-3/4-D-7-MAXI	LR-1-D-7-MAXI	LR-3/4-D-7-DI-MAXI	LR-1-D-7-DI-MAXI		
	Pressure Regulator	162590	162591	162592	162593	162594	162595	162596	162597	192361	192365		
	12 bar without gauge	LR-1/8-D-0-MINI	LR-1/4-D-0-MINI	LR-3/8-D-0-MINI	LR-3/8-D-0-MIDI	LR-1/2-D-0-MIDI	LR-3/4-D-0-MIDI	LR-3/4-D-0-MAXI	LR-1-D-0-MAXI	LR-3/4-D-0-DI-MAXI	LR-1-D-0-DI-MAXI		
	Pressure Regulator	162598	162599	162600	162601	162602	162603	162604	162605	192363	192367		
	7 bar without gauge	LR-1/8-D-7-0-MINI	LR-1/4-D-7-0-MINI	LR-3/8-D-7-0-MINI	LR-3/8-D-7-0-MIDI	LR-1/2-D-7-0-MIDI	LR-3/4-D-7-0-MIDI	LR-3/4-D-7-0-MAXI	LR-1-D-7-0-MAXI	LR-3/4-D-7-0-DI-MAXI	LR-1-D-7-0-DI-MAXI		
	Mounting Brackets	159638 HFOE-D-MINI			159593 HFOE-D-MIDI/MAXI			162805 HR-D-MAXI					
	Adapter for Pressure Signal Conversion Unit	161207 PENV-A-H-1/8-D			161208 PENV-A-H-3/8-D								
	Threaded Bolt Set	159642 FRB-D-MINI			159595 FRB-D-MIDI			159643 FRB-D-MAXI					
Medium		Compressed air (Filtered, lubricated or unlubricated)											
Design		MINI, MIDI: diaphragm regulator; MAXI: piston regulator											
Mounting		Conduit mounting, Mounting bracket, or in line assembly											
Assembly Position		As desired											
Connection		G 1/8 ISO	G 1/4 ISO	G 3/8 ISO	G 3/8 ISO	G 1/2 ISO	G 3/4 ISO	G 3/4 ISO	G 1 ISO	G 3/4 ISO	G 1 ISO		
Nominal Flow*	LR-...-D-...	28 scfm / 800 l/min	53 scfm / 1500 l/min	60 scfm / 1700 l/min	113 scfm / 3200 l/min	124 scfm / 3500 l/min	124 scfm / 3500 l/min	389 scfm / 11000 l/min	406 scfm / 11500 l/min	406 scfm / 11500 l/min	406 scfm / 11500 l/min		
	LR-...-D-7-...	35 scfm / 1000 l/min	57 scfm / 1600 l/min	64 scfm / 1800 l/min	117 scfm / 3300 l/min	141 scfm / 4000 l/min	159 scfm / 4500 l/min	424 scfm / 12000 l/min	441 scfm / 12500 l/min	424 scfm / 12000 l/min	441 scfm / 12500 l/min		
Primary Pressure Range		15 to 240 psi / 1 to 16 bar											
Working Pressure Range		7.5 to 180 psi / 0.5 to 12 bar or 7.5 to 105 psi / 0.5 to 7 bar											
Temperature Range		14 to 140°F / -10 to +60°C											
Materials		Housing: GD-Zn; Seals: Buna N; Adjustment knob: PA 6											
Weight		0.816 lb / 0.370 kg			1.720 lb / 0.780 kg			2.425 lb / 1.100 kg		2.646 lb / 1.200 kg		2.425 lb / 1.100 kg	

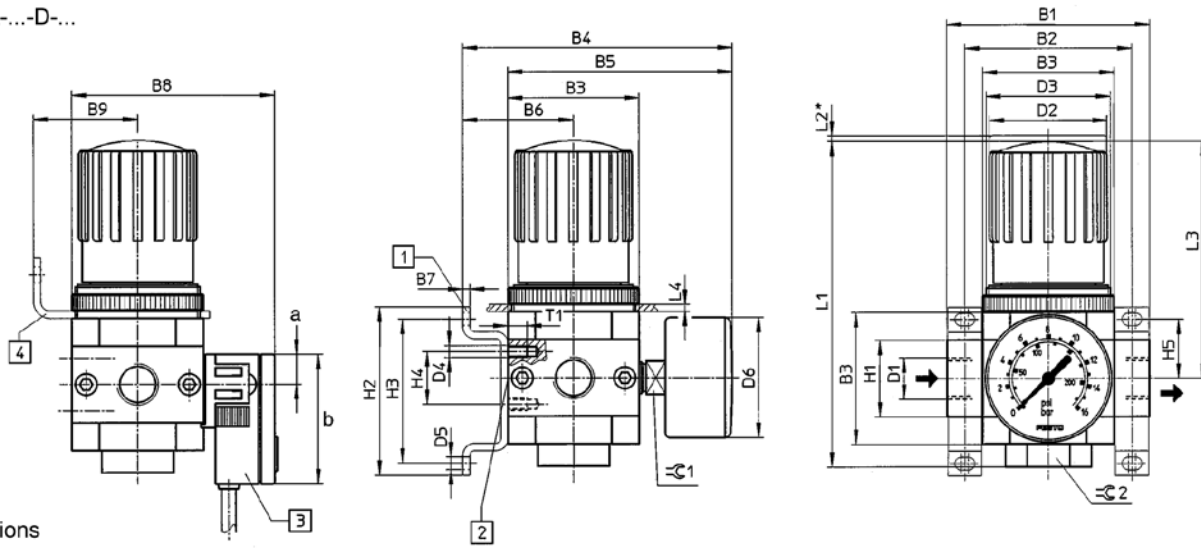
* At upstream pressure 150 psi / 10 bar, operating pressure 90 psi / 6 bar, and $\Delta p = 15$ psi / 1 bar.

Delivery: Short lead time

Filter-Regulator, Type LR - Basic Version

Dimensions

Type LR-...-D-...



Dimensions

- a 0.51 in / 13 mm
b 2.13 in / 54 mm

- 1 Mounting brackets Type HFOE-D-... (order separately)
2 Second pressure gauge connection
3 Digital indicator pressure switch Type PENV-A-... and fixture Type PENV-A-H-... (order separately)
4 Mounting bracket Type HR-D- (order separately)
→ Flow direction

Type	B1	B2	B3	B4	B5	B6	B7	B8	B9
Inch and Metric Series	in / mm	in / mm	in / mm	in / mm	in / mm	in / mm	in / mm	in / mm	in / mm
LR-1/8-D-MINI-...	2.52 / 64	2.05 / 52	1.57 / 40	3.78 / 96	3.03 / 77	1.54 / 39	0.08 / 2	2.74 / 69.5	1.42 / 36
LR-1/4-D-MINI-...	2.52 / 64	2.05 / 52	1.57 / 40	3.78 / 96	3.03 / 77	1.54 / 39	0.08 / 2	2.74 / 69.5	1.42 / 36
LR-3/8-D-MINI-...	2.76 / 70	2.05 / 52	1.57 / 40	3.78 / 96	3.03 / 77	1.54 / 39	0.08 / 2	2.74 / 69.5	1.42 / 36
LR-3/8-D-MIDI-...	3.35 / 85	2.76 / 70	2.17 / 55	4.45 / 113	3.70 / 94	1.85 / 47	0.12 / 3	3.33 / 84.5	1.73 / 44
LR-1/2-D-MIDI-...	3.35 / 85	2.76 / 70	2.17 / 55	4.45 / 113	3.70 / 94	1.85 / 47	0.12 / 3	3.33 / 84.5	1.73 / 44
LR-3/4-D-MIDI-...	3.35 / 85	2.76 / 70	2.17 / 55	4.45 / 113	3.70 / 94	1.85 / 47	0.12 / 3	3.33 / 84.5	1.73 / 44
LR-3/4-D-MAXI-...	3.78 / 96	3.15 / 80	2.60 / 66	4.92 / 125	4.21 / 107	2.09 / 53	0.12 / 3	3.84 / 97.5	1.97 / 50
LR-1-D-MAXI-...	4.57 / 116	3.58 / 91	2.60 / 66	4.92 / 125	4.21 / 107	2.09 / 53	0.12 / 3	3.84 / 97.5	1.97 / 50
Type	D1	D2	D3	D4	D5	D6	H1	H2	H3
Inch and Metric Series	Thread	dia in / mm	Mounting Nut Thread	in / mm	dia in / mm	dia in / mm	in / mm	in / mm	in / mm
LR-1/8-D-MINI-...	1/8 NPT / G 1/8 ISO	1.22 / 31	M36 x 1.5	M4	0.17 / 4.3	1.54 / 39	0.79 / 20	1.69 / 43	1.38 / 35
LR-1/4-D-MINI-...	1/4 NPT / G 1/4 ISO	1.22 / 31	M36 x 1.5	M4	0.17 / 4.3	1.54 / 39	0.79 / 20	1.69 / 43	1.38 / 35
LR-3/8-D-MINI-...	3/8 NPT / G 3/8 ISO	1.22 / 31	M36 x 1.5	M4	0.17 / 4.3	1.54 / 39	0.79 / 20	1.69 / 43	1.38 / 35
LR-3/8-D-MIDI-...	3/8 NPT / G 3/8 ISO	1.97 / 50	M52 x 1.5	M5	0.21 / 5.3	2.01 / 51	1.26 / 32	2.76 / 70	2.36 / 60
LR-1/2-D-MIDI-...	1/2 NPT / G 1/2 ISO	1.97 / 50	M52 x 1.5	M5	0.21 / 5.3	2.01 / 51	1.26 / 32	2.76 / 70	2.36 / 60
LR-3/4-D-MIDI-...	3/4 NPT / G 3/4 ISO	1.97 / 50	M52 x 1.5	M5	0.21 / 5.3	2.01 / 51	1.26 / 32	2.76 / 70	2.36 / 60
LR-3/4-D-MAXI-...	3/4 NPT / G 3/4 ISO	1.22 / 31	M36 x 1.5	M5	0.21 / 5.3	2.01 / 51	1.26 / 32	2.76 / 70	2.36 / 60
LR-1-D-MAXI-...	1 NPT / G 1 ISO	1.22 / 31	M36 x 1.5	M5	0.21 / 5.3	2.01 / 51	1.57 / 40	2.76 / 70	2.36 / 60
Type	H4	H5	L1	L2	L3	L4	T1	⌀ 1	⌀ 2
Inch and Metric Series	in / mm	in / mm	in / mm	max in / mm	in / mm	in / mm	in / mm		
LR-1/8-D-MINI-...	0.43 / 11	0.69 / 17.5	3.78 / 96	0.08 / 2	2.72 / 69	0.12 / 3	0.28 / 7	12	17
LR-1/4-D-MINI-...	0.43 / 11	0.69 / 17.5	3.78 / 96	0.08 / 2	2.72 / 69	0.12 / 3	0.28 / 7	12	17
LR-3/8-D-MINI-...	0.43 / 11	0.69 / 17.5	3.78 / 96	0.08 / 2	2.72 / 69	0.12 / 3	0.28 / 7	12	17
LR-3/8-D-MIDI-...	0.87 / 22	0.96 / 24.5	5.31 / 135	0.08 / 2	3.86 / 98	0.20 / 5	0.31 / 8	14	30
LR-1/2-D-MIDI-...	0.87 / 22	0.96 / 24.5	5.31 / 135	0.08 / 2	3.86 / 98	0.20 / 5	0.31 / 8	14	30
LR-3/4-D-MIDI-...	0.87 / 22	0.96 / 24.5	5.31 / 135	0.08 / 2	3.86 / 98	0.20 / 5	0.31 / 8	14	30
LR-3/4-D-MAXI-...	0.87 / 22	0.96 / 24.5	4.84 / 123	0.08 / 2	3.23 / 82	0.16 / 4	0.31 / 8	14	22
LR-1-D-MAXI-...	0.87 / 22	0.96 / 24.5	4.84 / 123	0.08 / 2	3.23 / 82	0.16 / 4	0.31 / 8	14	22

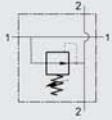
* Distance regulating knob must be lifted to make adjustment.

Pressure Regulators, Type LRB/LRBS - Basic Version

G $\frac{1}{4}$ – G $\frac{1}{2}$ ISO

Pressure Regulator

with Latching Regulator Knob
Type LRB-D-...



with Lockable Regulator Knob
Type LRBS-D-...

The pressure regulator with secondary ventilation maintains a constant operating pressure (secondary side) despite fluctuations in line pressure (primary side) and the amount of air consumed.

With pressure supply facility on both sides and pressure set point front and back.

This is a relieving-type regulator which will reduce over pressure on the pressure output.

Accessories:

Mounting Bracket, Type HRB-...

LRB



LRBS



HRBC
Joining Kit



Pressure Regulators are available in two working pressure ranges: 174 psi / 12 bar and 102 psi / 7 bar.

Order Number	Pressure Regulator	197535	197539
Part No. / Type	12 bar with latching knob	LRB-D-O-MINI	LRB-D-O-MIDI
	Pressure Regulator	197534	197538
	7 bar with latching knob	LRB-D-7-O-MINI	LRB-D-7-O-MIDI
	Pressure Regulator	194682	194686
	12 bar with lockable knob	LRBS-D-0-MINI	LRBS-D-0-MIDI
	Pressure Regulator	194683	194687
	7 bar with lockable knob	LRBS-D-7-O-MINI	LRBS-D-7-O-MIDI
	Port Block Wall	525029	525030
	Mounting Bracket	HRB-D-MINI	HRB-D-MIDI
	Intermediate Wall	525031	525032
	Mounting Bracket	HRBK-D-MINI	HRBK-D-MIDI
	Joining Kit	529022 HRBC-D-MINI	529023 HRBC-D-MIDI
Medium		Compressed air (Filtered, lubricated or unlubricated)	
Design		Diaphragm regulator	
Mounting		Line mounting, mounting bracket, or inline assembly	
Assembly Position		As desired	
Connection		G 1/8 ISO G 3/8 ISO	G 3/8 ISO G 1/2 ISO
Nominal Flow*	LRB(S)-...-D-...	42 scfm / 1200 l/min	113 scfm / 3200 l/min
	LRB(S)-...-D-7-...	49 scfm / 1400 l/min	134 scfm / 3800 l/min
Primary Pressure Range		15 to 240 psi / 1 to 16 bar	
Working Pressure Range		7.5 to 180 psi / 0.5 to 12 bar or 7.5 to 105 psi / 0.5 to 7 bar	
Temperature Range		14 to 140°F / -10 to +60°C	
Materials		Housing: GD-Zn; Seals: NBR; Adjustment knob: PA 6	
Weight	LRB-...-D-...	0.551 lb / 0.250 kg	1.543 lb / 0.700 kg
	LRBS-...-D-...	0.772 lb / 0.350 kg	2.072 lb / 0.940 kg

* At upstream pressure 150 psi / 10 bar, operating pressure 90 psi / 6 bar, and $\Delta p = 15$ psi / 1 bar.

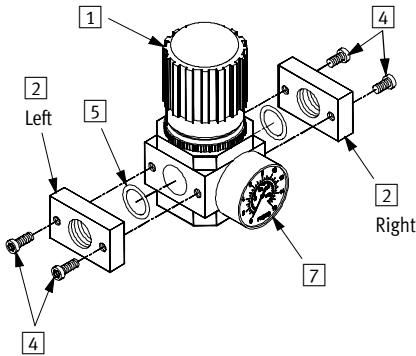
Delivery: Short lead time

Metric

Inch

Ship-From-Stock Component Program

D-Series Service Units Port Sizes 1/8" to 1"



Ordering via the Ship-From-Stock Component Program allows for off-the-shelf availability of the components required to assemble a complete air preparation unit.

A complete regulator assembly consists of the following items:

Item	Description	Qty Required per Assy
1	Main Unit	1
2	Port Block	2 [one left, one right]
4	Port Block Screw	4
5	Port Block Seal	3
6	Mounting Bracket Kit [Not shown]	1

Note: Item 3, joining rods, are not needed in this assembly.
Most combinations use 2 Port Block Seals [Item 5]. Some use 3. It is recommended to order 3.

Step 1: Based upon the required Port Size, Maximum Output Pressure, Maximum Flow, Drain Type, and Thread Type, select the Main Unit [Item 1] and the Left and Right Port Block [Item 2]. Note the Product Type/Description for the next step.

Port size	Max. Output Pressure [bar/psi]	Max. Flow (l/min/sfcm)	Item		7		Gauge [If required]	Product Type/Description	
			1	2					
			Main Body	NPT Thread Left Connection Port Block	Right Connection Port Block	BSP Thread Left Connection Port Block			Right Connection Port Block
1/8	7/102	1000/35.3	127 301	372 030	372 038	380 285	380 287	359 874	LR-...-D-MINI-...
	12/174	800/28.3	122 997					345 395	
1/4	7/102	1600/56.5	127 301	372 031	372 039	380 289	380 295	359 874	LR-...-D-MIDI-...
		2200/77.7	127 307	-	-	380 902	380 903	359 873	LR-...-D-MIDI-...
	12/174	1500/52.9	122 997	372 031	372 039	380 289	380 295	345 395	LR-...-D-MINI-...
		2100/74.2	120 517	-	-	380 902	380 903	356 759	LR-...-D-MIDI-...
3/8	7/102	1800/63.6	127 301	372 032	372 040	380 293	380 295	359 874	LR-...-D-MINI-...
		3300/116.5	127 307	372 035	372 043	380 297	380 299	359 873	LR-...-D-MIDI-...
	12/174	1700/60.0	122 997	372 032	372 040	380 293	380 295	345 395	LR-...-D-MINI-...
		3200/113.0	120 517	372 035	372 043	380 297	380 299	356 759	LR-...-D-MIDI-...
1/2	7/102	4000/141.3	127 307	372 033	372 041	380 301	380 303	359 873	LR-...-D-MAXI-...
		10700/377.9	127 314	-	-	381 529	381 530		
	12/174	3500/123.6	120 517	372 033	372 041	380 301	380 303	356 759	LR-...-D-MIDI-...
		10500/370.8	123 594	-	-	381 529	381 530		LR-...-D-MAXI-...
3/4	7/102	4500/158.9	127 307	372 034	372 042	380 305	380 307	359 873	LR-...-D-MIDI-...
		12000/423.8	127 314	372 036	372 044	380 309	380 311		LR-...-D-MAXI-...
	12/174	3500/123.8	120 517	372 034	372 042	380 305	380 307	356 759	LR-...-D-MIDI-...
		11000/388.5	123 594	372 036	372 044	380 309	380 311		LR-...-D-MAXI-...
1	7/102	12500/441.4	127 314	372 037	372 045	380 313	380 315	359 873	LR-...-D-MAXI-...
	12/174	11500/406.1	123 594					356 759	

☐ Not available

Next...Step 2

Inch

Metric

Filter Regulator Selector Guide

D-Series Service Units Port Sizes 1/8" to 1"

Step 2: Based upon the Product Type/Description from Step 1, select the Port Block Screws [Item 4], the Port Block Seals [Item 5], and the Mounting Bracket Kit [Item 6].

	Item 4	5	6 [Not shown]
Product Type/ Description	Port Block Screws	Port Block Seals	Mounting Bracket Kit
LR-...-D-MINI-...	200 664	235 260	159 638
LR-...-D-MIDI-...	202 824	200 950	159 593
LR-...-D-MAXI-...		234 380	

Step3: Determine the appropriate quantity of each Item.

Ordering Example:

Required: 3/8 port size, 8 bar output pressure, 1600 l/min flow, BSP threads.

	Item	Part No.	Qty	Description
Order:	1	122 997	1	Main Unit
	2	380 293	1	Left Port Block
		380 295		Right Port Block
	4	200 664	4	Port Block Screws
	5	235 260	3	Port Block Seals
	6	159 638	1	Mounting Bracket Kit

Product Range and Company Overview

A Complete Suite of Automation Services

Our experienced engineers provide complete support at every stage of your development process, including: conceptualization, analysis, engineering, design, assembly, documentation, validation, and production.



Custom Automation Components
Complete custom engineered solutions



Custom Control Cabinets
Comprehensive engineering support and on-site services



Complete Systems
Shipment, stocking and storage services

The Broadest Range of Automation Components

With a comprehensive line of more than 30,000 automation components, Festo is capable of solving the most complex automation requirements.



Electromechanical
Electromechanical actuators, motors, controllers & drives



Pneumatics
Pneumatic linear and rotary actuators, valves, and air supply



PLCs and I/O Devices
PLC's, operator interfaces, sensors and I/O devices

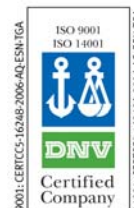
Supporting Advanced Automation... As No One Else Can!

Festo is a leading global manufacturer of pneumatic and electromechanical systems, components and controls for industrial automation, with more than 12,000 employees in 56 national headquarters serving more than 180 countries. For more than 80 years, Festo has continuously elevated the state of manufacturing with innovations and optimized motion control solutions that deliver higher performing, more profitable automated manufacturing and processing equipment. Our dedication to the advancement of automation extends beyond technology to the education and development of current and future automation and robotics designers with simulation tools, teaching programs, and on-site services.

Quality Assurance, ISO 9001 and ISO 14001 Certifications

Festo Corporation is committed to supply all Festo products and services that will meet or exceed our customers' requirements in product quality, delivery, customer service and satisfaction.

To meet this commitment, we strive to ensure a consistent, integrated, and systematic approach to management that will meet or exceed the requirements of the ISO 9001 standard for Quality Management and the ISO 14001 standard for Environmental Management.



© Copyright 2008, Festo Corporation. While every effort is made to ensure that all dimensions and specifications are correct, Festo cannot guarantee that publications are completely free of any error, in particular typing or printing errors. Accordingly, Festo cannot be held responsible for the same. For Liability and Warranty conditions, refer to our "Terms and Conditions of Sale", available from your local Festo office. All rights reserved. No part of this publication may be reproduced, distributed, or transmitted in any form or by any means, electronic, mechanical, photocopying or otherwise, without the prior written permission of Festo. All technical data subject to change according to technical update.



Printed on recycled paper at New Horizon Graphic, Inc., FSC certified as an environmentally friendly printing plant.

Festo North America

United States

Customer Resource Center
502 Earth City Expy., Suite 125
Earth City, MO 63045

For ordering assistance, or to find
your nearest Festo Distributor,

Call: 1.800.99.FESTO

Fax: 1.800.96.FESTO

Email: customer.service@us.festo.com

For technical support,

Call: 1.866.GO.FESTO

Fax: 1.800.96.FESTO

Email: product.support@us.festo.com

Headquarters

Festo Corporation
395 Moreland Road
P.O. Box 18023
Hauppauge, NY 11788
www.festo.com/us

Sales Offices

Appleton

N. 922 Tower View Drive, Suite N
Greenville, WI 54942

Boston

120 Presidential Way, Suite 330
Woburn, MA 01801

Chicago

1441 East Business Center Drive
Mt. Prospect, IL 60056

Dallas

1825 Lakeway Drive, Suite 600
Lewisville, TX 75057

Detroit - Automotive Engineering Center

2601 Cambridge Court, Suite 320
Auburn Hills, MI 48326

New York

395 Moreland Road
Hauppauge, NY 11788

Silicon Valley

4935 Southfront Road, Suite F
Livermore, CA 94550

Design and Manufacturing Operations



East: 395 Moreland Road, Hauppauge, NY 11788



Central: 1441 East Business Center Drive, Mt. Prospect, IL 60056



West: 4935 Southfront Road, Suite F, Livermore, CA 94550

Mexico

Headquarters

Festo Pneumatic, S.A.
Av. Ceylán 3, Col. Tequesquahuac
54020 Tlalnepantla, Edo. de México
Call: 011 52 [55] 53 21 66 00
Fax: 011 52 [55] 53 21 66 65
Email: festo.mexico@mx.festo.com
www.festo.com/mx



Canada

Headquarters

Festo Inc.
5300 Explorer Drive
Mississauga, Ontario L4W 5G4
Call: 1.905.624.9000
Fax: 1.905.624.9001
Email: info.ca@ca.festo.com
www.festo.com/ca



Festo Worldwide

Argentina Australia Austria Belarus Belgium Brazil Bulgaria Canada Chile China Colombia Croatia Czech Republic Denmark
Estonia Finland France Germany Great Britain Greece Hong Kong Hungary India Indonesia Iran Ireland Israel Italy Japan
Latvia Lithuania Malaysia Mexico Netherlands New Zealand Norway Peru Philippines Poland Romania Russia Serbia Singapore
Slovakia Slovenia South Africa South Korea Spain Sweden Switzerland Taiwan Thailand Turkey Ukraine United States Venezuela

www.festo.com