



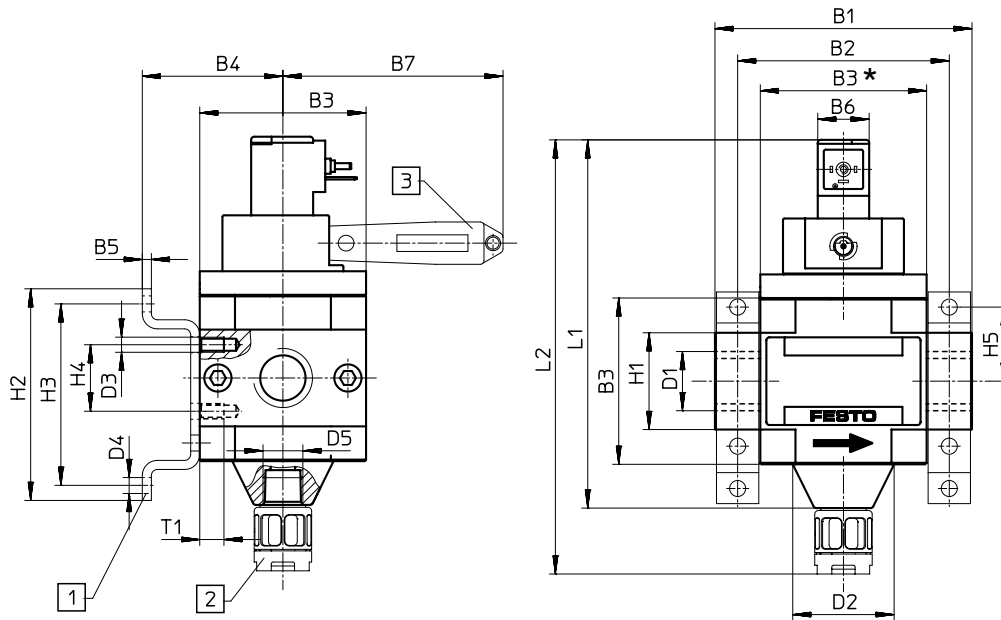
## **On-Off Valves, Solenoid Actuated, Type HEE**



# On-Off Valves, Solenoid Actuated, Type HEE

## 3/2-Way Valve, Dimensions, INCH and Metric Series

Type HEE-D-...  
HEE-...-D-...(-NPT)



- ❶ Mounting brackets Type HFOE-D-...  
(order separately)
- ❷ Silencer (MINI: U-1/8; MIDI: U-1/4; MAXI: U-3/8; order separately)
- ❸ Manual override handle, momentary contact and detenting, Type AHB-M-...  
(order separately)

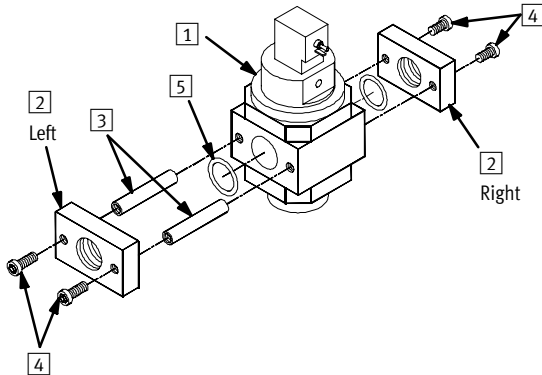
\*Width of valve without threaded connector plates

Type	B1	B2	B3	B4	B5	B6	B7	D1 thread	D2	D3
	in / mm	in / mm	in / mm	in / mm	in / mm	in / mm	in / mm	Inch/Metric	in / mm	thread
HEE-1/8-D-MINI	2.52 / 64	2.05 / 52	1.57 / 40	1.55 / 39.4	0.08 / 2	1.26 / 17	237.2 / 72.3	1/8 NPT / G 1/8 ISO	0.93 / 23.7	M4
HEE-1/4-D-MINI	2.52 / 64							1/4 NPT / G 1/4 ISO		
HEE-3/8-D-MINI	2.76 / 70							3/8 NPT / G 3/8 ISO		
HEE-1/8-D-MIDI	3.35 / 85	2.76 / 70	2.17 / 55	1.83 / 46.5	0.12 / 3	1.73 / 17	238.8 / 72.8	3/8 NPT / G 3/8 ISO	1.32 / 33.5	M5
HEE-1/2-D-MIDI								1/2 NPT / G 1/2 ISO		
HEE-3/4-D-MIDI								3/4 NPT / G 3/4 ISO		
HEE-3/4-D-MAXI	3.70 / 94	3.15 / 80	2.60 / 66	2.09 / 53.1	0.12 / 3	1.73 / 17	238.8 / 72.8	3/4 NPT / G 3/4 ISO	1.37 / 38.4	M5
HEE-1-D-MAXI	4.57 / 116	3.58 / 91						1 NPT / G 1 ISO		
Type	D4	D5	H1	H2	H3	H4	H5	L1	L2	T1
	in / mm	thread	in / mm	in / mm	in / mm	in / mm	in / mm	in / mm	in / mm	in / mm
HEE-1/8-D-MINI	0.17 / 4.3	G 1/8	0.79 / 20	1.69 / 43	1.38 / 35	0.43 / 11	0.69 / 17.5	339.6 / 103.5	438.0 / 133.5	0.28 / 7
HEE-1/4-D-MINI										
HEE-3/8-D-MINI										
HEE-1/8-D-MIDI	0.21 / 5.3	G 1/4	1.26 / 32	2.76 / 70	2.36 / 60	0.86 / 22	0.96 / 24.5	4.80 / 121.8	6.76 / 171.6	0.32 / 8
HEE-1/2-D-MIDI										
HEE-3/4-D-MIDI										
HEE-3/4-D-MAXI	0.21 / 5.3	G 3/8	1.26 / 32	2.76 / 70	2.36 / 60	0.86 / 22	0.96 / 24.5	5.31 / 134.8	8.13 / 206.5	0.32 / 8
HEE-1-D-MAXI			1.57 / 40							

## Electrical On-Off Valve Selector Guide

D-Series Service Units Port Sizes 1/8" to 1"

Ship From Stock



A complete valve assembly consists of the following items:

Item	Description	Qty Required per Assy
1	Main Unit	1
2	Port Block	2 [one left, one right]
3	Single Unit Joining Rod	2
4	Port Block Screw	4
5	Port Block Seal	2
6	Mounting Bracket Kit [Not shown]	1

**Step 1:** Based upon the required Port Size, Maximum Flow, Filtration Level, Drain Type, and Thread Type, select the Main Unit [Item 1] and the Left and Right Port Block [Item 2]. Note the Product Type/Description for the next step.

Port size	Max. Flow (l/min/sfcm)	Coil Voltage	Item						Product Type/Description
			1	2	NPT Thread		BSP Thread		
			Main Unit		Left Connection Port Block	Right Connection Port Block	Left Connection Port Block	Right Connection Port Block	
1/8	1000/35.3	24	172 956	372 030	372 038	380 285	380 287	HEE-...-D-MINI-...	
		110	172 957						
		230	172 958						
1/4	1500/52.9	24	172 956	372 031	372 039	380 289	380 291	HEE-...-D-MIDI-...	
		110	172 957						
		230	172 958						
	2600/91.8	24	172 959	-	-	380 902	380 903		
		110	172 960						
		230	172 961						
3/8	1600/56.5	24	172 956	372 032	372 040	380 293	380 295	HEE-...-D-MINI-...	
		110	172 957						
		230	172 958						
	3200/113.0	24	172 959	372 035	372 043	380 297	380 299	HEE-...-D-MIDI-...	
		110	172 960						
		230	172 961						
1/2	3600/127.1	24	172 959	372 033	372 041	380 301	380 303	HEE-...-D-MAXI-...	
		110	172 960						
		230	172 961						
	5600/197.8	24	172 962	-	-	381 529	381 530		
		110	172 963						
		230	172 964						
3/4	3800/134.2	24	172 959	372 034	372 042	380 305	380 307	HEE-...-D-MIDI-...	
		110	172 960						
		230	172 961						
	6000/211.9	24	172 962	372 036	372 044	380 309	380 311	HEE-...-D-MAXI-...	
		110	172 963						
		230	172 964						
1	6500/229.5	24	172 962	372 037	372 045	380 313	380 315		
		110	172 963						
		230	172 964						

☐ Not available

Next...Step 2

# Product Range and Company Overview

## A Complete Suite of Automation Services

Our experienced engineers provide complete support at every stage of your development process, including: conceptualization, analysis, engineering, design, assembly, documentation, validation, and production.



**Custom Automation Components**  
Complete custom engineered solutions



**Custom Control Cabinets**  
Comprehensive engineering support and on-site services



**Complete Systems**  
Shipment, stocking and storage services

## The Broadest Range of Automation Components

With a comprehensive line of more than 30,000 automation components, Festo is capable of solving the most complex automation requirements.



**Electromechanical**  
Electromechanical actuators, motors, controllers & drives



**Pneumatics**  
Pneumatic linear and rotary actuators, valves, and air supply



**PLCs and I/O Devices**  
PLC's, operator interfaces, sensors and I/O devices

## Supporting Advanced Automation... As No One Else Can!

Festo is a leading global manufacturer of pneumatic and electromechanical systems, components and controls for industrial automation, with more than 12,000 employees in 56 national headquarters serving more than 180 countries. For more than 80 years, Festo has continuously elevated the state of manufacturing with innovations and optimized motion control solutions that deliver higher performing, more profitable automated manufacturing and processing equipment. Our dedication to the advancement of automation extends beyond technology to the education and development of current and future automation and robotics designers with simulation tools, teaching programs, and on-site services.

## Quality Assurance, ISO 9001 and ISO 14001 Certifications

Festo Corporation is committed to supply all Festo products and services that will meet or exceed our customers' requirements in product quality, delivery, customer service and satisfaction.

To meet this commitment, we strive to ensure a consistent, integrated, and systematic approach to management that will meet or exceed the requirements of the ISO 9001 standard for Quality Management and the ISO 14001 standard for Environmental Management.



© Copyright 2008, Festo Corporation. While every effort is made to ensure that all dimensions and specifications are correct, Festo cannot guarantee that publications are completely free of any error, in particular typing or printing errors. Accordingly, Festo cannot be held responsible for the same. For Liability and Warranty conditions, refer to our "Terms and Conditions of Sale", available from your local Festo office. All rights reserved. No part of this publication may be reproduced, distributed, or transmitted in any form or by any means, electronic, mechanical, photocopying or otherwise, without the prior written permission of Festo. All technical data subject to change according to technical update.



Printed on recycled paper at New Horizon Graphic, Inc., FSC certified as an environmentally friendly printing plant.

# Festo North America

## United States

### Customer Resource Center

502 Earth City Expy., Suite 125  
Earth City, MO 63045

For ordering assistance, or to find  
your nearest Festo Distributor,

**Call:** 1.800.99.FESTO

**Fax:** 1.800.96.FESTO

**Email:** customer.service@us.festo.com

For technical support,

**Call:** 1.866.GO.FESTO

**Fax:** 1.800.96.FESTO

**Email:** product.support@us.festo.com

### Headquarters

Festo Corporation  
395 Moreland Road  
P.O. Box 18023  
Hauppauge, NY 11788  
[www.festo.com/us](http://www.festo.com/us)

---

## Sales Offices

### Appleton

N. 922 Tower View Drive, Suite N  
Greenville, WI 54942

### Boston

120 Presidential Way, Suite 330  
Woburn, MA 01801

### Chicago

1441 East Business Center Drive  
Mt. Prospect, IL 60056

### Dallas

1825 Lakeway Drive, Suite 600  
Lewisville, TX 75057

### Detroit - Automotive Engineering Center

2601 Cambridge Court, Suite 320  
Auburn Hills, MI 48326

### New York

395 Moreland Road  
Hauppauge, NY 11788

### Silicon Valley

4935 Southfront Road, Suite F  
Livermore, CA 94550

## Design and Manufacturing Operations



**East:** 395 Moreland Road, Hauppauge, NY 11788



**Central:** 1441 East Business Center Drive, Mt. Prospect, IL 60056



**West:** 4935 Southfront Road, Suite F, Livermore, CA 94550

---

## Mexico

### Headquarters

Festo Pneumatic, S.A.  
Av. Ceylán 3, Col. Tequesquahuac  
54020 Tlalnepantla, Edo. de México  
**Call:** 011 52 [55] 53 21 66 00  
**Fax:** 011 52 [55] 53 21 66 65  
**Email:** festo.mexico@mx.festo.com  
[www.festo.com/mx](http://www.festo.com/mx)



---

## Canada

### Headquarters

Festo Inc.  
5300 Explorer Drive  
Mississauga, Ontario L4W 5G4  
**Call:** 1.905.624.9000  
**Fax:** 1.905.624.9001  
**Email:** info.ca@ca.festo.com  
[www.festo.com/ca](http://www.festo.com/ca)



---

## Festo Worldwide

Argentina Australia Austria Belarus Belgium Brazil Bulgaria Canada Chile China Colombia Croatia Czech Republic Denmark  
Estonia Finland France Germany Great Britain Greece Hong Kong Hungary India Indonesia Iran Ireland Israel Italy Japan  
Latvia Lithuania Malaysia Mexico Netherlands New Zealand Norway Peru Philippines Poland Romania Russia Serbia Singapore  
Slovakia Slovenia South Africa South Korea Spain Sweden Switzerland Taiwan Thailand Turkey Ukraine United States Venezuela

[www.festo.com](http://www.festo.com)