



## **Distributor Blocks FRM – Basic Version**



Metric

Inch

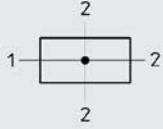
## Distributor Blocks, Type FRM - Basic Version

1/8" - 1"

### Distributor Block

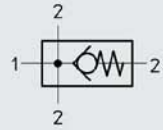
without non-return valve

Type FRM-...-D...(-NPT)



with non-return valve

Type FRM-H-...-D...(-NPT)



Compressed air distributor with 2 branch connection ports.

In Type FRM-H-..., an integrated non-return valve prevents the reverse flow of lubricated compressed air back to the supply port.

Type FRM-...-D...(-NPT)  
with threaded connector plates



Type FRM-H-...-D...(-NPT)  
with threaded connector plates



Accessories:  
Mounting Bracket, Type HFOE-D-...

Order Number	Part No./Type	MINI Size			MIDI Size			MAXI Size			
Distributor Block without non-return valve	NPT	173924	173925	173926		173927	173928	173929		173930	173931
		FRM-1/8-D-MINI-NPT	FRM-1/4-D-MINI-NPT	FRM-3/8-D-MINI-NPT		FRM-3/8-D-MIDI-NPT	FRM-1/2-D-MIDI-NPT	FRM-3/4-D-MIDI-NPT		FRM-3/4-D-MAXI-NPT	FRM-1-D-MAXI-NPT
	ISO	164949	164950	164951	186523	164952	164953	164954	186524	164955	164956
		FRM-1/8-D-MINI	FRM-1/4-D-MINI	FRM-3/8-D-MINI	FRM-1/4-D-MIDI	FRM-3/8-D-MIDI	FRM-1/2-D-MIDI	FRM-3/4-D-MIDI	FRM-1/2-D-MAXI	FRM-3/4-D-MAXI	FRM-1-D-MAXI
Connection		1/8	1/4	3/8	1/4	3/8	1/2	3/4	1/2	3/4	1
Standard Nominal Flow Rate*	scfm / l/min	53.97 / 1500	116.54 / 3300	116.5 / 3300	123.6 / 3500	247.2 / 7000	289.6 / 8200	310.8 / 8800	413.2 / 11700	706.3 / 20000	614.5 / 17400
Distributor Block with non-return valve	NPT	173932	173933	173934		173935	173936	173937		173938	173939
		FRM-H-1/8-D-MINI-NPT	FRM-H-1/4-D-MINI-NPT	FRM-H-3/8-D-MINI-NPT		FRM-H-3/8-D-MIDI-NPT	FRM-H-1/2-D-MIDI-NPT	FRM-H-3/4-D-MIDI-NPT		FRM-H-3/4-D-MAXI-NPT	FRM-H-1-D-MAXI-NPT
	ISO	162788	162789	162790	186525	162791	162792	162793	186526	162794	162795
		FRM-H-1/8-D-MINI	FRM-H-1/4-D-MINI	FRM-H-3/8-D-MINI	FRM-H-1/4-D-MIDI	FRM-H-3/8-D-MIDI	FRM-H-1/2-D-MIDI	FRM-H-3/4-D-MIDI	FRM-H-1/2-D-MAXI	FRM-H-3/4-D-MAXI	FRM-H-1-D-MAXI
Connection		1/8	1/4	3/8	1/4	3/8	1/2	3/4	1/2	3/4	1
Standard Nominal Flow Rate*	scfm / l/min	45.91 / 1300	70.63 / 2000	74.16 / 2100	120.1 / 3400	194.2 / 5500	197.8 / 5500	194.2 / 5500	339.0 / 9600	529.7 / 15000	473.2 / 13400
Medium		Compressed air, filtered (lubricated or unlubricated)									
Design		Compressed air distributor with variable outlets									
Mounting		Single unit: in-line with mounting bracket									
		Combination: Flange mounting to "D-Series" units									
Mounting Position		Any									
Pressure Range	FRM-D-...	0 to 240 psi / 0 to 16 bar									
	FRM-H-...-D-...	2.3 to 240 psi / 0.15 to 16 bar			3 to 240 psi / 0.20 to 16 bar			3.8 to 240 psi / 0.25 to 16 bar			
Temperature Range		14 to 140°F / -10 to +60°C									
Materials		Housing: die cast zinc; threaded pins: steel; seals: NBR; non-return spool: POM									
Weight (without connector plates)		0.46 lb / 0.210 kg			1.15 lb / 0.520 kg			1.98 lb / 0.900 kg			

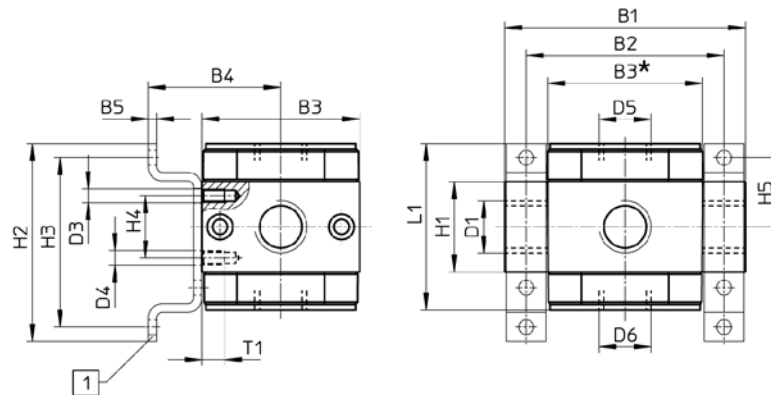
Delivery: Short lead time

\* With 90 psi / 6 bar at inlet and  $\Delta p = 15$  psi / 1 bar.

# Distributor Blocks, Type FRM - Basic Version

Dimensions

Type FRM-...-D-...  
FRM-H-...-D-...



1 Mounting brackets Type HFOE-D-...  
(order separately)

\*Width of distributor block without threaded connector plates

Type Inch and Metric Series	B1 in / mm	B2 in / mm	B3 in / mm	B4 in / mm	B5 in / mm	D1 thread Inch / Metric		D3 thread	D4 in / mm
FRM/FRM-H-1/8-D-MINI	2.52 / 64	2.05 / 52	1.57 / 40	1.55 / 39.4	0.08 / 2	1/8 NPT / G 1/8 ISO		M4	0.17 / 4.3
FRM/FRM-H-1/4-D-MINI	2.52 / 64					1/4 NPT / G 1/4 ISO			
FRM/FRM-H-3/8-D-MINI	2.76 / 70					3/8 NPT / G 3/8 ISO			
FRM/FRM-H-3/8-D-MIDI	3.34 / 85	2.76 / 70	2.17 / 55	1.83 / 46.5	0.12 / 3	3/8 NPT / G 3/8 ISO		M5	0.21 / 5.3
FRM/FRM-H-1/2-D-MIDI						1/2 NPT / G 1/2 ISO			
FRM/FRM-H-3/4-D-MIDI						3/4 NPT / G 3/4 ISO			
FRM/FRM-H-3/4-D-MAXI	3.70 / 96	3.15 / 80	2.60 / 66	2.09 / 53.1	0.12 / 3	3/4 NPT / G 3/4 ISO		M5	0.21 / 5.3
FRM/FRM-H-1-D-MAXI	4.57 / 116	3.58 / 91				1 NPT / G 1 ISO			
Type Inch and Metric Series	D5† thread	D6† thread	H1 in / mm	H2 in / mm	H3 in / mm	H4 in / mm	H5 in / mm	L1 in / mm	T1 in / mm
FRM/FRM-H-1/8-D-MINI	G 1/4	G 1/4	0.79 / 20	1.69 / 43	1.38 / 35	0.43 / 11	0.69 / 17.5	1.57 / 40	0.28 / 7
FRM/FRM-H-1/4-D-MINI									
FRM/FRM-H-3/8-D-MINI									
FRM/FRM-H-3/8-D-MIDI	G 1/2	G 1/4	1.26 / 32	2.76 / 70	2.36 / 60	0.86 / 22	0.96 / 24.5	2.32 / 59	0.32 / 8
FRM/FRM-H-1/2-D-MIDI									
FRM/FRM-H-3/4-D-MIDI									
FRM/FRM-H-3/4-D-MAXI	G 3/4	G 1/4	1.26 / 32	2.76 / 70	2.36 / 60	0.86 / 22	0.96 / 24.5	2.75 / 70	0.32 / 8
FRM/FRM-H-1-D-MAXI			1.57 / 40						

† Fittings can be used to convert these ISO threaded ports to NPT.

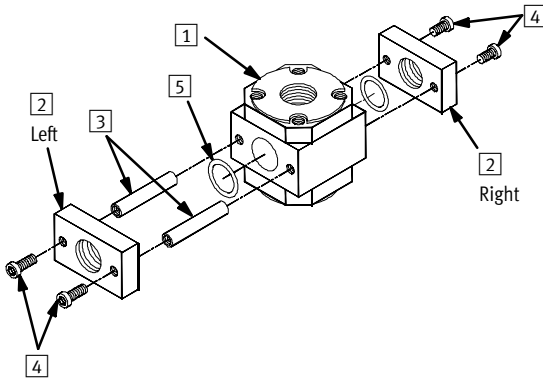
Metric

Inch

## Ship-From-Stock Component Program

D-Series Service Units Port Sizes 1/8" to 1"

Ordering via the Ship-From-Stock Component Program allows for off-the-shelf availability of the components required to assemble a complete air preparation unit.



A complete distributor assembly consists of the following items:

Item	Description	Qty Required per Assy
1	Main Unit	1
2	Port Block	2 [one left, one right]
3	Single Unit Joining Rod	2
4	Port Block Screw	4
5	Port Block Seal	2
6	Mounting Bracket Kit [Not shown]	1

**Step 1:** Based upon the required Port Size, Maximum Flow, Filtration Level, Drain Type, and Thread Type, select the Main Unit [Item 1] and the Left and Right Port Block [Item 2]. Note the Product Type/Description for the next step.

Port size	Max. Flow (l/min/sfcm)	Check Valve	Item		NPT Thread		BSP Thread		Product Type/ Description
			Main Unit	NPT Thread	Left Connection Port Block	Right Connection Port Block	Left Connection Port Block	Right Connection Port Block	
1/8	1500/52.9	No	170 684	372 030	372 038	380 285	380 287	FRM-...-D-MINI-...	
	1300/45.9	Yes	170 687					FRM-H-...-D-MINI-...	
1/4	3300/116.5	No	170684	372 031	372 039	380 289	380 291	FRM-...-D-MINI-...	
	2000/70.6	Yes	170687					FRM-H-...-D-MINI-...	
	3500/123.6	No	170 685	-	-	380 902	380 903	FRM-...-D-MIDI-...	
	3400/120.1	Yes	170688					FRM-H-...-D-MIDI-...	
3/8	3300/116.5	No	170 684	372 032	372 040	380 293	380 295	FRM-...-D-MINI-...	
	2100/74.2	Yes	172 687					FRM-H-...-D-MINI-...	
	7000/247.2	No	170 685	372 035	372 043	380 297	380 299	FRM-...-D-MIDI-...	
	5500/194.2	Yes	170 688					FRM-H-...-D-MIDI-...	
1/2	8200/289.6	No	170 685	372 033	372 041	380 301	380 303	FRM-...-D-MIDI-...	
	5600/197.8	Yes	170 688					FRM-H-...-D-MIDI-...	
	11700/413.2	No	170 686	-	-	381 529	381 530	FRM-...-D-MAXI-...	
	9600/339.0	Yes	170 689					FRM-H-...-D-MAXI-...	
3/4	8800/310.8	No	170 685	372 034	372 042	380 305	380 307	FRM-...-D-MIDI-...	
	5500/194.2	Yes	170 688					FRM-H-...-D-MIDI-...	
	20000/706.3	No	170 686	372 036	372 044	380 309	380 311	FRM-...-D-MAXI-...	
	15000/529.7	Yes	170 689					FRM-H-...-D-MAXI-...	
1	17400/614.5	No	170 686	372 037	372 045	380 313	380 315	FRM-...-D-MAXI-...	
	13400/473.2	Yes	170 689					FRM-H-...-D-MAXI-...	

☐ Not available

Next...Step 2

Inch

Metric

## Distributor Block Selector Guide

D-Series Service Units Port Sizes 1/8" to 1"

**Step 2:** Based upon the Product Type/Description from Step 1, select the Joining Rods [Item **3**], the Port Block Screws [Item **4**], the Port Block Seals [Item **5**], and the Mounting Bracket Kit [Item **6**].

	Item <b>3</b>	Item <b>4</b>	Item <b>5</b>	Item <b>6</b> [Not shown]
Product Type/Description	Single Unit Joining Rod	Port Block Screw	Port Block Seal	Mounting Bracket Kit
FRM-...-D-MINI-...	359 787	200 664	235 260	159 638
FRM-H-...-D-MINI-...				
FRM-...-D-MIDI-...	369 989	202 824	200 950	159 593
FRM-H-...-D-MIDI-...				
FRM-...-D-MAXI-...	373 059		234 380	159 593
FRM-H-...-D-MAXI-...				

**Step3:** Determine the appropriate quantity of each Item.

### Ordering Example:

Required: 3/8 port size, 5000 l/min flow, non-return flow check valve, BSP threads.

	Item	Part No.	Qty	Description
Order:	<b>1</b>	170 688	1	Main Unit
	<b>2</b>	380 297	1	Left Port Block
		380 299	1	Right Port Block
	<b>3</b>	369 989	2	Single Unit Joining Rod
	<b>4</b>	202 824	4	Port Block Screws
	<b>5</b>	200 950	3	Port Block Seals
	<b>6</b>	159 593	1	Mounting Bracket Kit

# Product Range and Company Overview

## A Complete Suite of Automation Services

Our experienced engineers provide complete support at every stage of your development process, including: conceptualization, analysis, engineering, design, assembly, documentation, validation, and production.



**Custom Automation Components**  
Complete custom engineered solutions



**Custom Control Cabinets**  
Comprehensive engineering support and on-site services



**Complete Systems**  
Shipment, stocking and storage services

## The Broadest Range of Automation Components

With a comprehensive line of more than 30,000 automation components, Festo is capable of solving the most complex automation requirements.



**Electromechanical**  
Electromechanical actuators, motors, controllers & drives



**Pneumatics**  
Pneumatic linear and rotary actuators, valves, and air supply



**PLCs and I/O Devices**  
PLC's, operator interfaces, sensors and I/O devices

## Supporting Advanced Automation... As No One Else Can!

Festo is a leading global manufacturer of pneumatic and electromechanical systems, components and controls for industrial automation, with more than 12,000 employees in 56 national headquarters serving more than 180 countries. For more than 80 years, Festo has continuously elevated the state of manufacturing with innovations and optimized motion control solutions that deliver higher performing, more profitable automated manufacturing and processing equipment. Our dedication to the advancement of automation extends beyond technology to the education and development of current and future automation and robotics designers with simulation tools, teaching programs, and on-site services.

## Quality Assurance, ISO 9001 and ISO 14001 Certifications

Festo Corporation is committed to supply all Festo products and services that will meet or exceed our customers' requirements in product quality, delivery, customer service and satisfaction.

To meet this commitment, we strive to ensure a consistent, integrated, and systematic approach to management that will meet or exceed the requirements of the ISO 9001 standard for Quality Management and the ISO 14001 standard for Environmental Management.



© Copyright 2008, Festo Corporation. While every effort is made to ensure that all dimensions and specifications are correct, Festo cannot guarantee that publications are completely free of any error, in particular typing or printing errors. Accordingly, Festo cannot be held responsible for the same. For Liability and Warranty conditions, refer to our "Terms and Conditions of Sale", available from your local Festo office. All rights reserved. No part of this publication may be reproduced, distributed, or transmitted in any form or by any means, electronic, mechanical, photocopying or otherwise, without the prior written permission of Festo. All technical data subject to change according to technical update.



Printed on recycled paper at New Horizon Graphic, Inc., FSC certified as an environmentally friendly printing plant.

# Festo North America

## United States

**Customer Resource Center**  
502 Earth City Expy., Suite 125  
Earth City, MO 63045

For ordering assistance, or to find  
your nearest Festo Distributor,

**Call:** 1.800.99.FESTO  
**Fax:** 1.800.96.FESTO  
**Email:** customer.service@us.festo.com

For technical support,

**Call:** 1.866.GO.FESTO  
**Fax:** 1.800.96.FESTO  
**Email:** product.support@us.festo.com

### Headquarters

Festo Corporation  
395 Moreland Road  
P.O. Box 18023  
Hauppauge, NY 11788  
[www.festo.com/us](http://www.festo.com/us)

---

### Sales Offices

#### Appleton

N. 922 Tower View Drive, Suite N  
Greenville, WI 54942

#### Boston

120 Presidential Way, Suite 330  
Woburn, MA 01801

#### Chicago

1441 East Business Center Drive  
Mt. Prospect, IL 60056

#### Dallas

1825 Lakeway Drive, Suite 600  
Lewisville, TX 75057

**Detroit - Automotive Engineering Center**  
2601 Cambridge Court, Suite 320  
Auburn Hills, MI 48326

#### New York

395 Moreland Road  
Hauppauge, NY 11788

#### Silicon Valley

4935 Southfront Road, Suite F  
Livermore, CA 94550

## Design and Manufacturing Operations



**East:** 395 Moreland Road, Hauppauge, NY 11788



**Central:** 1441 East Business Center Drive, Mt. Prospect, IL 60056



**West:** 4935 Southfront Road, Suite F, Livermore, CA 94550

---

## Mexico

### Headquarters

Festo Pneumatic, S.A.  
Av. Ceylán 3, Col. Tequesquahuac  
54020 Tlalnepantla, Edo. de México  
**Call:** 011 52 [55] 53 21 66 00  
**Fax:** 011 52 [55] 53 21 66 65  
**Email:** festo.mexico@mx.festo.com  
[www.festo.com/mx](http://www.festo.com/mx)



## Canada

### Headquarters

Festo Inc.  
5300 Explorer Drive  
Mississauga, Ontario L4W 5G4  
**Call:** 1.905.624.9000  
**Fax:** 1.905.624.9001  
**Email:** info.ca@ca.festo.com  
[www.festo.com/ca](http://www.festo.com/ca)



---

## Festo Worldwide

Argentina Australia Austria Belarus Belgium Brazil Bulgaria Canada Chile China Colombia Croatia Czech Republic Denmark  
Estonia Finland France Germany Great Britain Greece Hong Kong Hungary India Indonesia Iran Ireland Israel Italy Japan  
Latvia Lithuania Malaysia Mexico Netherlands New Zealand Norway Peru Philippines Poland Romania Russia Serbia Singapore  
Slovakia Slovenia South Africa South Korea Spain Sweden Switzerland Taiwan Thailand Turkey Ukraine United States Venezuela

[www.festo.com](http://www.festo.com)