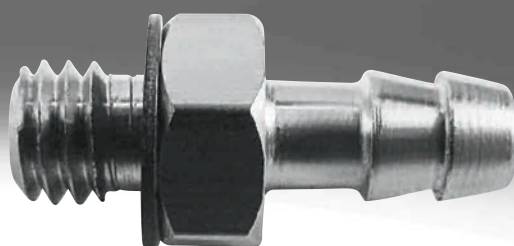




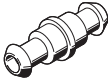
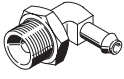
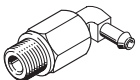



Barbed fittings

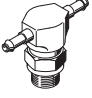

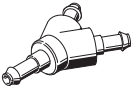
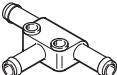
FESTO



Product range overview

| Design | Version | Type | Pneumatic connection 1 | | | | Pneumatic connection 2 | | → Page |
|--|---|------|------------------------|----------|------------------|----------------------|------------------------|----------------------|--------|
| | | | M thread | G thread | Barbed connector | For tubing O.D. [mm] | Barbed connector | For tubing O.D. [mm] | |
| Straight shape | Barbed fitting with male thread and external hex | | | | | | | | |
| |  | N | M5 | – | – | – | PK-3 PK-4 | – | 5 |
| | Barbed fitting with male thread and external hex | | | | | | | | |
| |  | CN | M3 | – | – | – | – | 3, 4 | 6 |
| | | | M5 | – | – | – | – | 3, 4, 6 | |
| | | | – | G1/8 | – | – | – | 4, 6, 8 | |
| | – | | G1/4 | – | – | – | 6, 8 | | |
| | – | | G3/8 | – | – | – | 8 | | |
| Barbed fitting with male thread and external hex – stainless steel version | | | | | | | | | |
|  | CRCN | M5 | – | – | – | – | 3, 4, 6 | 7 | |
| | | – | G1/8 | – | – | – | 4, 6, 8 | | |
| | | – | G1/4 | – | – | – | 6, 8 | | |
| | | – | G3/8 | – | – | – | 8 | | |
| Barbed bulkhead connector | | | | | | | | | |
|  | SCN | – | – | – | 3 | – | – | 8 | |
| | | 4 | – | – | – | – | – | | |
| | | 6 | – | – | – | – | – | | |
| | | 8 | – | – | – | – | – | | |
| Barbed tubing connector | | | | | | | | | |
|  | RTU | – | – | PK-2 | – | PK-2 | – | 9 | |
| | | – | – | PK-3 | – | PK-2, PK-3, PK-4 | – | | |
| | | – | – | PK-4 | – | PK-4, PK-6 | – | | |
| | | – | – | PK-6 | – | PK-6 | – | | |
| L-shape | Barbed elbow fitting with male thread – rotatable 360° | | | | | | | | |
| |  | LCN | M3 | – | – | – | – | 3, 4 | 10 |
| | | | M5 | – | – | – | – | 3, 4, 6 | |
| | | | – | G1/8 | – | – | – | 4, 6, 8 | |
| | | | – | G1/4 | – | – | – | 6, 8 | |
| | | | – | G3/8 | – | – | – | 8 | |
| Barbed elbow fitting with male thread – extended housing part, rotatable 360° | | | | | | | | | |
|  | LCNH | M5 | – | – | – | – | 3, 4, 6 | 12 | |
| | | – | G1/8 | – | – | – | 4, 6, 8 | | |
| | | – | G1/4 | – | – | – | 6, 8 | | |
| | | – | G3/8 | – | – | – | 8 | | |
| Barbed L-connector | | | | | | | | | |
|  | L-PK | – | – | PK-2 | – | – | – | 14 | |
| | | – | – | PK-3 | – | – | – | | |
| | | – | – | PK-4 | – | – | – | | |
| | | – | – | PK-6 | – | – | – | | |

Product range overview

| Design | Version | Type | Pneumatic connection 1 | | | | Pneumatic connection 2 | | → Page |
|---------------------------|---|------|-------------------------|--------------------------------|------------------------------|----------------------|------------------------|---|--------|
| | | | M thread | G thread | Barbed connector | For tubing O.D. [mm] | Barbed connector | For tubing O.D. [mm] | |
| T-shape | Barbed T-fitting with male thread – rotatable 360° | | | | | | | | |
| |  | TCN | M3 M5 – – – | – – G1/8 G1/4 G3/8 | – | – | – | 3, 4 3, 4, 6 4, 6, 8 6, 8 8 | 15 |
| Barbed T-connector | | | | | | | | | |
| |  | T-PK | – | – | PK-2 PK-3 PK-4 PK-6 | – | – | – | 16 |
| Y-shape | Barbed Y-connector | | | | | | | | |
| |  | Y-PK | – | – | PK-2 PK-3 PK-4 PK-6 | – | – | – | 17 |
| Barbed T-connector | | | | | | | | | |
| |  | FCN | – | – | – | 3 4 6 8 | – | 3, 4 4, 6 6, 8 8 | 18 |

Tube mounting/dismounting

Mounting:

1. Hold the tubing as close to the end as possible.
2. Rotate the tubing (approx. 90°) around the nipple axis while attaching it.

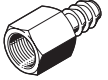
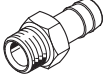

Dismounting:

1. Use a knife to cut off the tubing behind the sealing and support edge. Be careful not to damage the barbed connector on the sealing and support edge.
2. Remove the tubing.

Available accessories

- Connecting pliers ZMS-PK-3/4
→ Internet: zms
Disconnecting pliers ZDS-PK-3,
ZDS-PK-4
→ Internet: zds

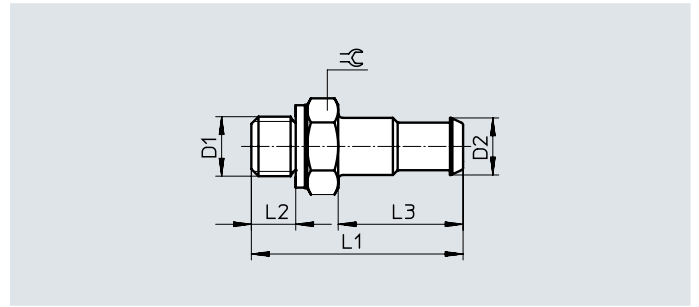
Product range overview

| Design | Version | Type | Pneumatic connection D1 | | | Pneumatic connection D2 | → Page |
|---|---------------------|------|-------------------------|----------|------------|-------------------------|--------|
| | | | G thread | R thread | NPT thread | Barbed connector | |
| Barbed hose fitting | | | | | | | |
|  | C-...-P | | G1/8 | - | - | PK-6 | 19 |
| | | | G1/4 | - | - | PK-6, PK-9 | |
| | | | G3/8 | - | - | PK-6, PK-9 | |
| | | | G1/2 | - | - | PK-13 | |
| Barbed hose fitting with sealing ring (aluminium and brass version) | | | | | | | |
|  | N-...-P N-...-MS | | G1/8 | - | - | PK-6 | 20 |
| | | | G1/4 | - | - | PK-6, PK-9 | |
| | | | G3/8 | - | - | PK-6, PK-9, PK-13 | |
| | | | G1/2 | - | - | PK-9, PK-13 | |
| | | | G3/4 | - | - | PK-13, PK-19 | |
| | | | - | R1 | - | PK-19 | |
| | | | - | - | 3/4 NPT | PK-19 | |
| | - | - | 1 1/2 NPT | PK-19 | | | |
| Hose clip to DIN 3017 | | | | | | | |
|  | SK | | | | | | 22 |

Datasheet

Barbed fitting N

With male thread and external hexagon



General technical data

| | |
|----------------------------------|----------------|
| Design | Straight shape |
| Mounting position | Any |
| Type of seal on screwed trunnion | Sealing ring |

Operating and environmental conditions

| | |
|---|--|
| Operating pressure for full temperature range [bar] | -0.95 ... +10 |
| Operating medium | Compressed air to ISO 8573-1:2010 [7:--] |
| Ambient temperature | -10 - 60 °C |
| PWIS conformity | VDMA24364-B1/B2-L |
| Note on the operating/pilot medium | Lubricated operation possible (in which case lubricated operation will always be required) |
| Corrosion resistance class CRC ¹⁾ | 1 |

1) Corrosion resistance class CRC 1 to Festo standard FN 940070

Low corrosion stress. Dry internal application or transport and storage protection. Also applies to parts behind covers, in the non-visible interior area, or parts which are covered in the application (e.g. drive trunnions).

Materials

| | |
|---------|-------|
| Housing | Brass |
|---------|-------|

Dimensions and ordering data

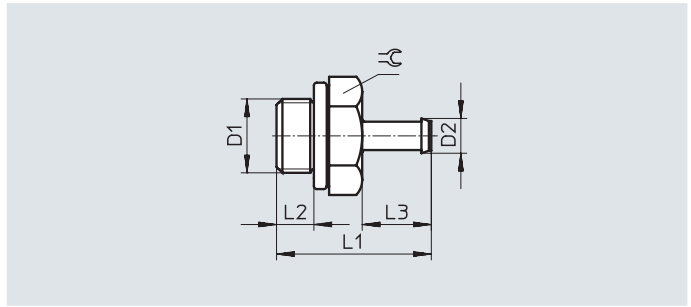
| Pneumatic connection | Max. tightening torque | Nominal size | D2 | L1 | L2 | L3 | ⌀ | Weight/ piece [g] | Part no. | Type | PU ¹⁾ | |
|--|------------------------|--------------|-----|-----|----|-----|------|-------------------|----------|------|------------------|----|
| D1 | [Nm] | [mm] | | | | | | | | | | |
| Metric thread with sealing ring | | | | | | | | | | | | |
| M5 | PK-3 | | 2.5 | 3.6 | 16 | 3.5 | 8.5 | 7 | 1 | 4446 | N-M5-PK-3 | 10 |
| | PK-4 | | 2.5 | 4.8 | 18 | 3.5 | 10.5 | 7 | 2 | 4902 | N-M5-PK-4 | 10 |

1) Packaging unit

Datasheet

Barbed fitting CN

With male thread and external hexagon



General technical data

| | |
|----------------------------------|--------------|
| Type of seal on screwed trunnion | Sealing ring |
|----------------------------------|--------------|

Operating and environmental conditions

| | |
|--|--|
| Operating pressure [bar] | -0.95 ... +10 |
| Operating medium | Compressed air to ISO 8573-1:2010 [7:-:-] |
| Note on the operating/pilot medium | Lubricated operation possible (in which case lubricated operation will always be required) |
| Ambient temperature [°C] | 0 ... +60 |
| Corrosion resistance class CRC ¹⁾ | 2 |

1) Corrosion resistance class CRC 2 to Festo standard FN 940070

Moderate corrosion stress. Indoor applications in which condensation can occur. External visible parts with primarily decorative surface requirements which are in direct contact with a normal industrial environment.

Materials

| | | | |
|------------------------|------------------|----------------|----------------------------|
| Pneumatic connection 1 | Male thread M3 | Male thread M5 | Male thread G1/8/G1/4/G3/8 |
| Housing | High-alloy steel | Steel | Aluminium |
| Note on materials | RoHS-compliant | | |

Dimensions and ordering data

| Pneumatic connection | | Nominal size | D2 | L1 | L2 | L3 | ⌀ | Part no. | Type | PJ ¹⁾ |
|-----------------------------------|-----------------|--------------|------|------|-----|------|-----|----------|-------------|------------------|
| Male thread | For tubing O.D. | [mm] | | | | | | | | |
| D1 | [mm] | | | | | | | | | |
| M thread with sealing ring | | | | | | | | | | |
| M3 | 3 | 1.5 | 2.6 | 10 | 3 | 5 | 4.5 | 15871 | CN-M3-PK-2 | 10 |
| | 4 | 1.5 | 3.4 | 11 | 3 | 6 | 4.5 | 15872 | CN-M3-PK-3 | 10 |
| M5 | 3 | 1.5 | 2.95 | 13.8 | 3.8 | 6 | 7 | 19521 | CN-M5-PK-2 | 10 |
| | 4 | 2.5 | 3.6 | 17.5 | 3.8 | 9.7 | 7 | 12255 | CN-M5-PK-3 | 10 |
| | 6 | 2.5 | 4.8 | 19.5 | 3.8 | 11.7 | 7 | 12256 | CN-M5-PK-4 | 10 |
| G thread with sealing ring | | | | | | | | | | |
| G1/8 | 4 | 2.5 | 3.6 | 20.2 | 4.9 | 9.7 | 13 | 11944 | CN-1/8-PK-3 | 10 |
| | 6 | 3.2 | 4.8 | 22.2 | 4.9 | 11.7 | 13 | 11945 | CN-1/8-PK-4 | 10 |
| | 8 | 5.3 | 7 | 24.5 | 4.9 | 14 | 13 | 11946 | CN-1/8-PK-6 | 10 |
| G1/4 | 6 | 3.2 | 4.8 | 24.7 | 5.8 | 11.7 | 17 | 11947 | CN-1/4-PK-4 | 10 |
| | 8 | 5.3 | 7 | 27 | 5.8 | 14 | 17 | 11948 | CN-1/4-PK-6 | 10 |
| G3/8 | 8 | 5.3 | 7 | 28 | 6.8 | 14 | 19 | 11949 | CN-3/8-PK-6 | 10 |

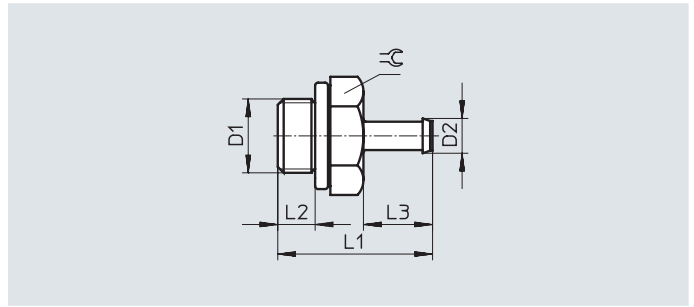
1) Packaging unit

Datasheet

Barbed fitting CRCN

Stainless steel version

With male thread and external hexagon



General technical data

| | |
|----------------------------------|--------------|
| Type of seal on screwed trunnion | Sealing ring |
|----------------------------------|--------------|

Operating and environmental conditions

| | | |
|---|-------|--|
| Operating pressure for entire temperature range | [bar] | -0.95 ... +10 |
| Operating medium | | Compressed air to ISO 8573-1:2010 [7:-:-] |
| Note on the operating/pilot medium | | Lubricated operation possible (in which case lubricated operation will always be required) |
| Ambient temperature | [°C] | 0 ... +60 |
| Corrosion resistance class CRC ¹⁾ | | 2 |
| Food-safe ²⁾ | | See supplementary material information |

1) Corrosion resistance class CRC 2 to Festo standard FN 940070

Moderate corrosion stress. Indoor applications in which condensation can occur. External visible parts with primarily decorative surface requirements which are in direct contact with a normal industrial environment.

2) Additional information: www.festo.com/sp → Certificates.

Materials

| Type | CRCN-M5 | CRCN-1/8 | CRCN-1/4 | CRCN-3/8 |
|-------------------|---------------------------------|--------------------------|----------|----------|
| Housing | High-alloy stainless steel | | | |
| Thread seal | High-alloy stainless steel, NBR | Reinforced PA, TPE-U(PU) | | |
| Note on materials | RoHS-compliant | | | |

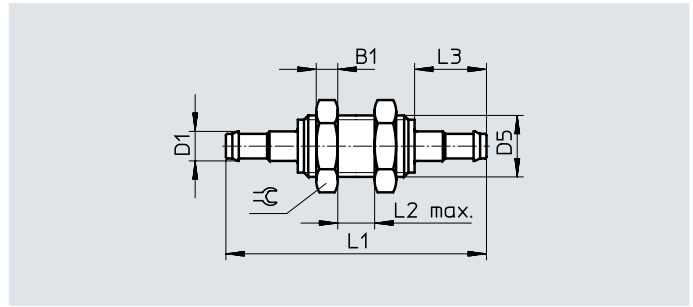
Dimensions and ordering data

| Pneumatic connection | | Nominal size | D2 | L1 | L2 | L3 | ⌀ | Weight/piece | Part no. | Type | PU ¹⁾ |
|-----------------------------------|-----------------|--------------|------|------|-----|------|----|--------------|----------|---------------|------------------|
| Male thread | For tubing O.D. | [mm] | | | | | | [g] | | | |
| D1 | [mm] | | | | | | | | | | |
| M thread with sealing ring | | | | | | | | | | | |
| M5 | 3 | 1.5 | 2.95 | 13.8 | 3.8 | 6 | 7 | 1.8 | 30985 | CRCN-M5-PK-2 | 10 |
| | 4 | 2.5 | 3.6 | 17.5 | 3.8 | 9.7 | 7 | 1.74 | 13967 | CRCN-M5-PK-3 | 10 |
| | 6 | 2.5 | 4.8 | 19.5 | 3.8 | 11.7 | 7 | 2.58 | 13968 | CRCN-M5-PK-4 | 10 |
| G thread with sealing ring | | | | | | | | | | | |
| G1/8 | 4 | 2.5 | 3.6 | 20.2 | 4.9 | 9.7 | 13 | 7.52 | 13969 | CRCN-1/8-PK-3 | 10 |
| | 6 | 3.2 | 4.8 | 22.2 | 4.9 | 11.7 | 13 | 7.86 | 13970 | CRCN-1/8-PK-4 | 10 |
| | 8 | 5.3 | 7 | 24.5 | 4.9 | 14 | 13 | 7.5 | 13971 | CRCN-1/8-PK-6 | 10 |
| G1/4 | 6 | 3.2 | 4.8 | 24.7 | 5.8 | 11.7 | 17 | 17.73 | 13972 | CRCN-1/4-PK-4 | 1 |
| | 8 | 5.3 | 7 | 27 | 5.8 | 14 | 17 | 16.5 | 13973 | CRCN-1/4-PK-6 | 1 |
| G3/8 | 8 | 5.3 | 7 | 28 | 6.8 | 14 | 19 | 23.7 | 13974 | CRCN-3/8-PK-6 | 1 |

1) Packaging unit

Datasheet

Barbed bulkhead connector SCN



Operating and environmental conditions

| | |
|--|--|
| Operating pressure [bar] | -0.95 ... +10 |
| Operating medium | Compressed air to ISO 8573-1:2010 [7:-:-] |
| Note on the operating/pilot medium | Lubricated operation possible (in which case lubricated operation will always be required) |
| Ambient temperature [°C] | 0 ... +60 |
| Corrosion resistance class CRC ¹⁾ | 2 |

1) Corrosion resistance class CRC 2 to Festo standard FN 940070

Moderate corrosion stress. Indoor applications in which condensation can occur. External visible parts with primarily decorative surface requirements which are in direct contact with a normal industrial environment.

Materials

| | |
|-------------------|------------------|
| Housing | Aluminium |
| Nut | Galvanised steel |
| Note on materials | RoHS-compliant |

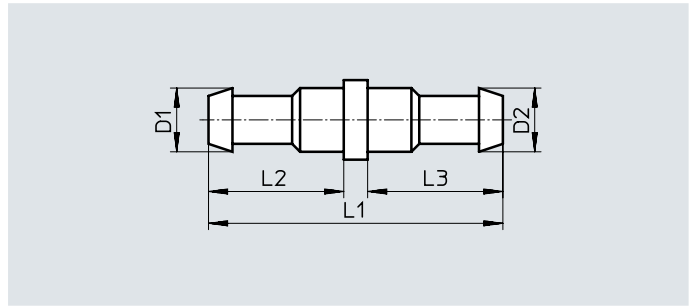
Dimensions and ordering data

| Pneumatic connection For tubing O.D. [mm] | Nominal size [mm] | B1 | D1 | D5 | L1 | L2 | L3 | ⊕ | Weight/ piece [g] | Part no. | Type | PU ¹⁾ |
|---|-------------------------|-----|------|---------|------|----|------|----|-------------------------|----------|----------|------------------|
| 3 | 1.5 | 2.2 | 2.95 | M4 | 23.4 | 6 | 6 | 7 | 1 | 19528 | SCN-PK-2 | 10 |
| 4 | 1.9 | 3.2 | 3.6 | M6x0.75 | 35.3 | 8 | 9.7 | 10 | 4 | 11972 | SCN-PK-3 | 10 |
| 6 | 2.8 | 3.5 | 4.8 | M10x1 | 42.4 | 10 | 11.7 | 13 | 7 | 11973 | SCN-PK-4 | 10 |
| 8 | 4.8 | 4 | 7 | M12x1 | 48 | 10 | 14 | 17 | 10 | 11974 | SCN-PK-6 | 10 |

1) Packaging unit

Datasheet

Barbed tubing connector RTU



Operating and environmental conditions

| | |
|------------------------------------|--|
| Operating medium | Compressed air to ISO 8573-1:2010 [7:-:-] |
| Note on the operating/pilot medium | Lubricated operation possible (in which case lubricated operation will always be required) |

Materials

| | |
|-------------------|----------------|
| Housing | Brass |
| Note on materials | RoHS-compliant |

Dimensions and ordering data

| Pneumatic connection | | Nominal size [mm] | D1 | D2 | L1 | L2 | L3 | Weight/ piece [g] | Part no. | Type | PU ¹⁾ |
|----------------------|------|-------------------|------|------|------|------|------|-------------------|----------|--------------|------------------|
| PK-2 | PK-2 | 1.5 | 2.95 | 2.95 | 14 | 6 | 6 | 1 | 19541 | RTU-PK-2/2-B | 10 |
| PK-3 | PK-2 | 1.5 | 3.6 | 2.95 | 17.7 | 9.7 | 6 | 1 | 19542 | RTU-PK-3/2 | 10 |
| | PK-3 | 2.5 | 3.6 | 3.6 | 19 | 8.5 | 8.5 | 1 | 4805 | RTU-PK-3/3 | 10 |
| | PK-4 | 2.5 | 3.6 | 4.8 | 20 | 8.5 | 10.5 | 2 | 4499 | RTU-PK-3/4 | 10 |
| PK-4 | PK-4 | 3.4 | 4.8 | 4.8 | 23 | 10.5 | 10.5 | 2 | 4806 | RTU-PK-4/4 | 10 |
| | PK-6 | 3.4 | 4.8 | 7 | 25.5 | 10.5 | 13 | 2 | 7604 | RTU-PK-4/6 | 10 |
| PK-6 | PK-6 | 5.3 | 7 | 7 | 28 | 13 | 13 | 3 | 7605 | RTU-PK-6/6 | 10 |

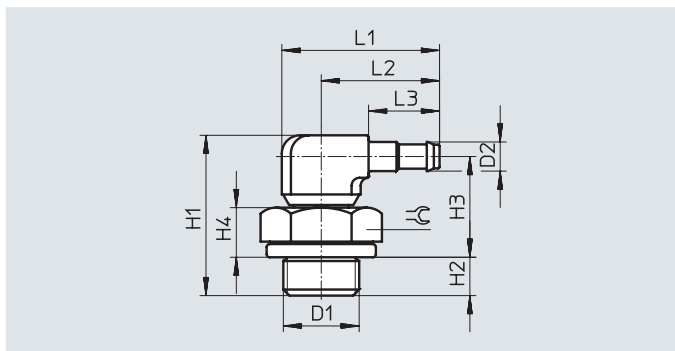
1) Packaging unit

Datasheet

Barbed elbow fitting LCN

With male thread

Rotatable 360°



General technical data

| | |
|----------------------------------|--------------|
| Type of seal on screwed trunnion | Sealing ring |
|----------------------------------|--------------|

Operating and environmental conditions

| | |
|--|--|
| Operating pressure [bar] | -0.95 ... +10 |
| Operating medium | Compressed air to ISO 8573-1:2010 [7:-:-] |
| Note on the operating/pilot medium | Lubricated operation possible (in which case lubricated operation will always be required) |
| Ambient temperature [°C] | 0 ... +60 |
| Corrosion resistance class CRC ¹⁾ | 2 |

1) Corrosion resistance class CRC 2 to Festo standard FN 940070

Moderate corrosion stress. Indoor applications in which condensation can occur. External visible parts with primarily decorative surface requirements which are in direct contact with a normal industrial environment.

Materials

| | | | |
|------------------------|------------------|----------------|----------------------------|
| Pneumatic connection 1 | Male thread M3 | Male thread M5 | Male thread G1/8/G1/4/G3/8 |
| Housing | High-alloy steel | Steel | Aluminium |
| | Die-cast zinc | | |
| Note on materials | RoHS-compliant | | |

Dimensions

| Pneumatic connection | | D2 | H1 | H2 | H3 | H4 | L1 | L2 | L3 | ⌀ |
|-----------------------------------|----------------------|------|-------|-----|-------|-----|------|------|------|-----|
| Male thread | For tubing O.D. [mm] | | | | | | | | | |
| D1 | | | | | | | | | | |
| M thread with sealing ring | | | | | | | | | | |
| M3 | 3 | 2.95 | 14 | 2.8 | 9.2 | 3.0 | 12.2 | 9.6 | 6 | 4.5 |
| | 4 | 3.6 | 15.2 | 2.8 | 9.8 | 3.0 | 15.9 | 13.3 | 9.7 | 4.5 |
| M5 | 3 | 2.95 | 16 | 3.8 | 10.2 | 4.0 | 12.2 | 9.6 | 6 | 7 |
| | 4 | 3.6 | 20.1 | 3.8 | 13.7 | 4.0 | 18.7 | 14.7 | 9.7 | 7 |
| | 6 | 4.8 | 21.4 | 3.8 | 13.9 | 4.0 | 20.7 | 16.7 | 11.7 | 7 |
| G thread with sealing ring | | | | | | | | | | |
| G1/8 | 4 | 3.6 | 21.2 | 4.9 | 13.7 | 5.6 | 24 | 17.5 | 9.7 | 13 |
| | 6 | 4.8 | 22.55 | 4.9 | 14.15 | 5.6 | 26 | 19.5 | 11.7 | 13 |
| | 8 | 7 | 24.45 | 4.9 | 15.15 | 5.6 | 28.5 | 22 | 14.2 | 13 |
| G1/4 | 6 | 4.8 | 25.05 | 5.8 | 15.75 | 7.2 | 26 | 19.5 | 11.7 | 17 |
| | 8 | 7 | 26.95 | 5.8 | 16.75 | 7.2 | 28.5 | 22 | 14.2 | 17 |
| G3/8 | 8 | 7 | 27.95 | 6.8 | 16.75 | 7.2 | 28.5 | 22 | 14.2 | 19 |

Datasheet

| Ordering data | | Nominal size | Weight/piece | Part no. | Type | PU ¹⁾ |
|-----------------------------------|-----------------|--------------|--------------|----------|---------------|------------------|
| Pneumatic connection | For tubing O.D. | | | | | |
| Male thread | [mm] | [mm] | [g] | | | |
| D1 | [mm] | [mm] | [g] | | | |
| M thread with sealing ring | | | | | | |
| M3 | 3 | 1.3 | 2 | 30491 | LCN-M3-PK-2-B | 10 |
| | 4 | 2.0 | 2 | 30982 | LCN-M3-PK-3 | 10 |
| M5 | 3 | 1.3 | 4 | 19523 | LCN-M5-PK-2 | 10 |
| | 4 | 2.0 | 5 | 12257 | LCN-M5-PK-3 | 10 |
| | 6 | 2.9 | 6 | 12258 | LCN-M5-PK-4 | 10 |
| G thread with sealing ring | | | | | | |
| G1/8 | 4 | 2.0 | 9 | 11955 | LCN-1/8-PK-3 | 10 |
| | 6 | 2.9 | 10 | 11956 | LCN-1/8-PK-4 | 10 |
| | 8 | 4.9 | 11 | 11957 | LCN-1/8-PK-6 | 10 |
| G1/4 | 6 | 2.9 | 13 | 12958 | LCN-1/4-PK-4 | 10 |
| | 8 | 4.9 | 15 | 12959 | LCN-1/4-PK-6 | 10 |
| G3/8 | 8 | 4.9 | 20 | 12960 | LCN-3/8-PK-6 | 10 |

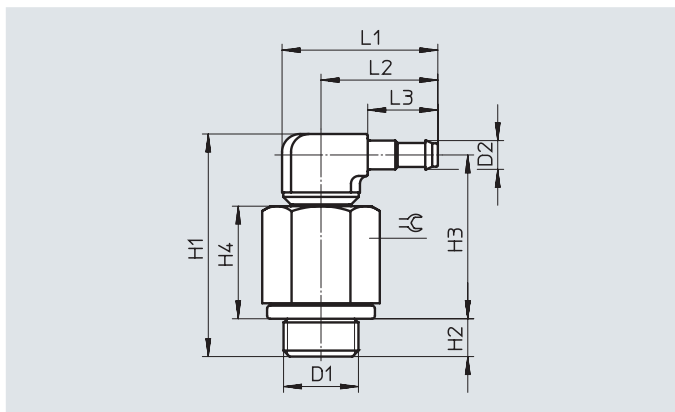
1) Packaging unit

Datasheet

Barbed elbow fitting LCNH

With male thread

Rotatable 360°



General technical data

| | |
|----------------------------------|--------------|
| Type of seal on screwed trunnion | Sealing ring |
|----------------------------------|--------------|

Operating and environmental conditions

| | |
|--|--|
| Operating pressure [bar] | -0.95 ... +10 |
| Operating medium | Compressed air to ISO 8573-1:2010 [7:-:-] |
| Note on the operating/pilot medium | Lubricated operation possible (in which case lubricated operation will always be required) |
| Ambient temperature [°C] | 0 ... +60 |
| Corrosion resistance class CRC ¹⁾ | 2 |

1) Corrosion resistance class CRC 2 to Festo standard FN 940070

Moderate corrosion stress. Indoor applications in which condensation can occur. External visible parts with primarily decorative surface requirements which are in direct contact with a normal industrial environment.

Materials

| | | |
|------------------------|------------------------|----------------------------|
| Pneumatic connection 1 | Male thread M5 | Male thread G1/8/G1/4/G3/8 |
| Housing | Steel Die-cast zinc | Aluminium |
| Note on materials | RoHS-compliant | |

Dimensions

| Pneumatic connection | | D2 | H1 | H2 | H3 | H4 | L1 | L2 | L3 | ⊕ |
|-----------------------------------|-----------------|------|-------|-----|-------|------|------|------|------|----|
| Male thread | For tubing O.D. | | | | | | | | | |
| D1 | [mm] | | | | | | | | | |
| M thread with sealing ring | | | | | | | | | | |
| M5 | 3 | 2.95 | 26.9 | 3.8 | 21.1 | 14.9 | 12.2 | 9.6 | 6 | 7 |
| | 4 | 3.6 | 28.7 | 3.8 | 22.3 | 12.6 | 18.7 | 14.7 | 9.7 | 7 |
| | 6 | 4.8 | 30.2 | 3.8 | 22.9 | 12.6 | 20.7 | 16.7 | 11.7 | 7 |
| G thread with sealing ring | | | | | | | | | | |
| G1/8 | 4 | 3.6 | 31.8 | 4.9 | 24.3 | 16.2 | 24 | 17.5 | 9.7 | 13 |
| | 6 | 4.8 | 33.15 | 4.9 | 24.75 | 16.2 | 26 | 19.5 | 11.7 | 13 |
| | 8 | 7 | 35.05 | 4.9 | 25.75 | 16.2 | 28.5 | 22 | 14.2 | 13 |
| G1/4 | 6 | 4.8 | 35.65 | 5.8 | 26.35 | 17.8 | 26 | 19.5 | 11.7 | 17 |
| | 8 | 7 | 37.55 | 5.8 | 27.35 | 17.8 | 28.5 | 22 | 14.2 | 17 |
| G3/8 | 8 | 7 | 38.55 | 6.8 | 27.35 | 17.8 | 28.5 | 22 | 14.2 | 19 |

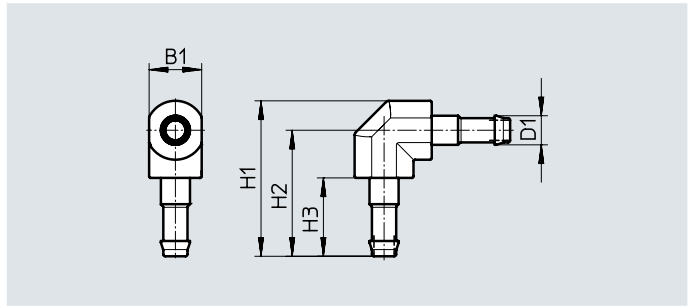
Datasheet

| Ordering data | | Nominal size | Weight/piece | Part no. | Type | PU ¹⁾ |
|-----------------------------------|-----------------|--------------|--------------|----------|---------------|------------------|
| Pneumatic connection | For tubing O.D. | | | | | |
| Male thread | [mm] | [mm] | [g] | | | |
| D1 | | | | | | |
| M thread with sealing ring | | | | | | |
| M5 | 3 | 1.3 | 8 | 35982 | LCNH-M5-PK-2 | 10 |
| | 4 | 2.0 | 9 | 35983 | LCNH-M5-PK-3 | 10 |
| | 6 | 2.9 | 10 | 35984 | LCNH-M5-PK-4 | 10 |
| G thread with sealing ring | | | | | | |
| G1/8 | 4 | 2.0 | 13 | 35985 | LCNH-1/8-PK-3 | 10 |
| | 6 | 2.9 | 14 | 35986 | LCNH-1/8-PK-4 | 10 |
| | 8 | 4.9 | 16 | 35987 | LCNH-1/8-PK-6 | 10 |
| G1/4 | 6 | 2.9 | 21 | 35988 | LCNH-1/4-PK-4 | 10 |
| | 8 | 4.9 | 22 | 35989 | LCNH-1/4-PK-6 | 10 |
| G3/8 | 8 | 4.9 | 29 | 35990 | LCNH-3/8-PK-6 | 10 |

1) Packaging unit

Datasheet

Barbed L-connector L-PK



Operating and environmental conditions

| | |
|------------------------------------|--|
| Operating medium | Compressed air to ISO 8573-1:2010 [7:--:-] |
| Note on the operating/pilot medium | Lubricated operation possible (in which case lubricated operation will always be required) |

Materials

| | |
|-------------------|----------------|
| Housing | Brass, POM |
| Note on materials | RoHS-compliant |

Dimensions and ordering data

| Pneumatic connection | Nominal size [mm] | B1 | D1 | H1 | H2 | H3 | Weight/ piece [g] | Part no. | Type | PU ¹⁾ |
|----------------------|-------------------|------|------|-------|------|------|-------------------|----------|--------|------------------|
| PK-2 | 1.5 | 4 | 2.95 | 12.2 | 10.2 | 6 | 1 | 19539 | L-PK-2 | 10 |
| PK-3 | 2.5 | 6.5 | 3.6 | 19.25 | 15.6 | 9.7 | 1 | 7473 | L-PK-3 | 10 |
| PK-4 | 3.4 | 7.8 | 4.8 | 23.1 | 18.7 | 11.7 | 2 | 9584 | L-PK-4 | 10 |
| PK-6 | 5.3 | 10.4 | 7 | 31.5 | 26.3 | 14 | 7 | 150012 | L-PK-6 | 10 |

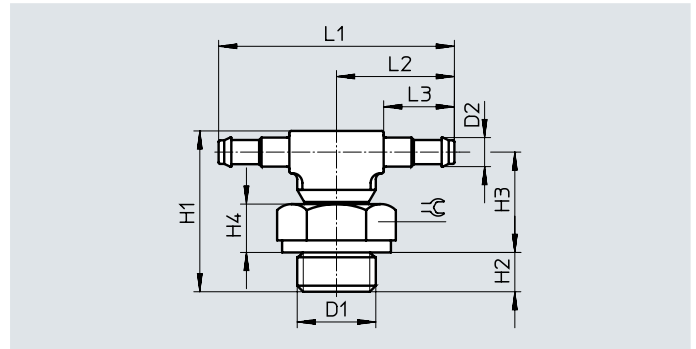
1) Packaging unit

Datasheet

Barbed T-fitting, TCN

With male thread

Rotatable 360°



General technical data

| | |
|----------------------------------|--------------|
| Type of seal on screwed trunnion | Sealing ring |
|----------------------------------|--------------|

Operating and environmental conditions

| | |
|--|--|
| Operating pressure [bar] | -0.95 ... +10 |
| Operating medium | Compressed air to ISO 8573-1:2010 [7:-:-] |
| Note on the operating/pilot medium | Lubricated operation possible (in which case lubricated operation will always be required) |
| Ambient temperature [°C] | 0 ... +60 |
| Corrosion resistance class CRC ¹⁾ | 2 |

1) Corrosion resistance class CRC 2 to Festo standard FN 940070

Moderate corrosion stress. Indoor applications in which condensation can occur. External visible parts with primarily decorative surface requirements which are in direct contact with a normal industrial environment.

Materials

| | | | |
|------------------------|------------------|----------------|----------------------------|
| Pneumatic connection 1 | Male thread M3 | Male thread M5 | Male thread G1/8/G1/4/G3/8 |
| Housing | High-alloy steel | Steel | Aluminium |
| | Die-cast zinc | | |
| Note on materials | RoHS-compliant | | |

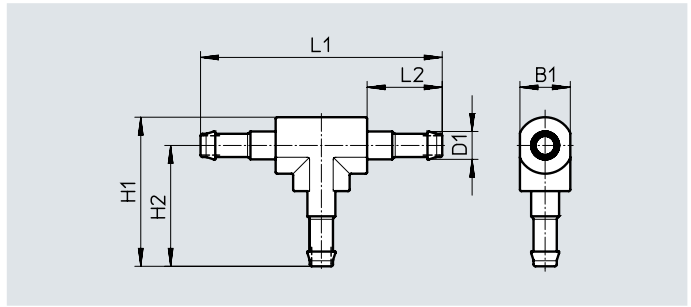
Dimensions and ordering data

| Pneumatic connection | | Nominal size | D2 | H1 | H2 | H3 | H4 | L1 | L2 | L3 | ⌀ | Part no. | Type | PU ¹⁾ |
|-----------------------------------|-----------------|--------------|------|-------|-----|-------|-----|------|------|------|-----|----------|--------------|------------------|
| Male thread | For tubing O.D. | [mm] | | | | | | | | | | | | |
| D1 | [mm] | [mm] | | | | | | | | | | | | |
| M thread with sealing ring | | | | | | | | | | | | | | |
| M3 | 3 | 1.3 | 2.95 | 14 | 2.8 | 9.2 | 3.0 | 19.2 | 9.6 | 6 | 4.5 | 30492 | TCN-M3-PK-2 | 10 |
| | 4 | 2.0 | 3.6 | 15.2 | 2.8 | 9.8 | 3.0 | 26.6 | 13.3 | 9.7 | 4.5 | 30983 | TCN-M3-PK-3 | 10 |
| M5 | 3 | 1.3 | 2.95 | 16 | 3.8 | 10.2 | 4.0 | 19.2 | 9.6 | 6 | 7 | 19525 | TCN-M5-PK-2 | 10 |
| | 4 | 2.0 | 3.6 | 20.1 | 3.8 | 13.7 | 4.0 | 29.4 | 14.7 | 9.7 | 7 | 12259 | TCN-M5-PK-3 | 10 |
| | 6 | 2.9 | 4.8 | 18.1 | 3.8 | 14.3 | 4.0 | 33.4 | 16.7 | 11.7 | 7 | 12432 | TCN-M5-PK-4 | 10 |
| G thread with sealing ring | | | | | | | | | | | | | | |
| G1/8 | 4 | 2.0 | 3.6 | 21.2 | 4.9 | 13.7 | 5.6 | 35 | 17.5 | 9.7 | 13 | 11961 | TCN-1/8-PK-3 | 10 |
| | 6 | 2.9 | 4.8 | 22.55 | 4.9 | 14.15 | 5.6 | 39 | 19.5 | 11.7 | 13 | 11962 | TCN-1/8-PK-4 | 10 |
| | 8 | 4.9 | 7 | 24.45 | 4.9 | 15.15 | 5.6 | 44 | 22 | 14.2 | 13 | 11963 | TCN-1/8-PK-6 | 10 |
| G1/4 | 6 | 2.9 | 4.8 | 25.05 | 5.8 | 15.75 | 7.2 | 39 | 19.5 | 11.7 | 17 | 11964 | TCN-1/4-PK-4 | 10 |
| | 8 | 4.9 | 7 | 26.95 | 5.8 | 16.75 | 7.2 | 44 | 22 | 14.2 | 17 | 11965 | TCN-1/4-PK-6 | 10 |
| G3/8 | 8 | 4.9 | 7 | 27.95 | 6.8 | 16.75 | 7.2 | 44 | 22 | 14.2 | 19 | 11966 | TCN-3/8-PK-6 | 10 |

1) Packaging unit

Datasheet

Barbed T-connector T-PK



Operating and environmental conditions

| | |
|------------------------------------|--|
| Operating medium | Compressed air to ISO 8573-1:2010 [7:--:-] |
| Note on the operating/pilot medium | Lubricated operation possible (in which case lubricated operation will always be required) |

Materials

| | |
|-------------------|----------------|
| Housing | Brass, POM |
| Note on materials | RoHS-compliant |

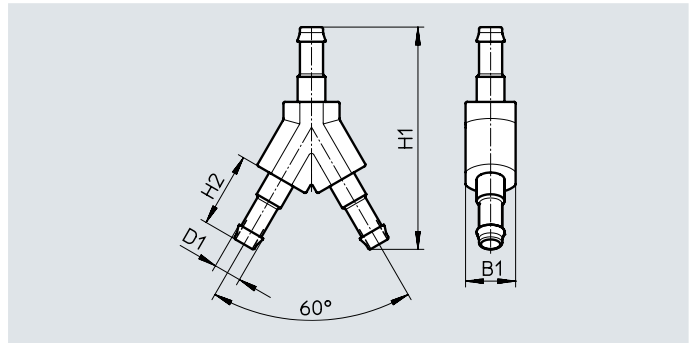
Dimensions and ordering data

| Pneumatic connection | Nominal size [mm] | B1 | D1 | H1 | H2 | L1 | L2 | Weight/ piece [g] | Part no. | Type | PU ¹⁾ |
|----------------------|-------------------|------|------|-------|------|------|------|-------------------|----------|--------|------------------|
| PK-2 | 1.5 | 4 | 2.95 | 12.2 | 10.2 | 20.4 | 6 | 1 | 30919 | T-PK-2 | 10 |
| PK-3 | 2.5 | 6.5 | 3.6 | 19.25 | 15.6 | 31.2 | 9.7 | 2 | 7267 | T-PK-3 | 10 |
| PK-4 | 3.4 | 7.8 | 4.8 | 23 | 18.7 | 37.4 | 11.7 | 3 | 9585 | T-PK-4 | 10 |
| PK-6 | 5.3 | 10.4 | 7 | 31.5 | 26.3 | 52.6 | 14 | 11 | 150015 | T-PK-6 | 10 |

1) Packaging unit

Datasheet

Barbed Y-connector Y-PK



Operating and environmental conditions

| | |
|------------------------------------|--|
| Operating medium | Compressed air to ISO 8573-1:2010 [7:-:-] |
| Note on the operating/pilot medium | Lubricated operation possible (in which case lubricated operation will always be required) |

Materials

| | |
|-------------------|----------------|
| Housing | Brass, POM |
| Note on materials | RoHS-compliant |

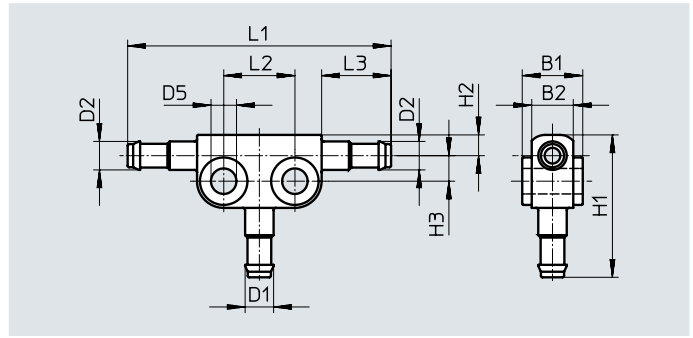
Dimensions and ordering data

| Pneumatic connection | Nominal size [mm] | B1 | D1 | H1 | H2 | Weight/ piece [g] | Part no. | Type | PU ¹⁾ |
|----------------------|-------------------|------|------|------|------|-------------------|----------|--------|------------------|
| PK-2 | 1.5 | 4 | 2.95 | 18 | 6 | 1 | 19540 | Y-PK-2 | 10 |
| PK-3 | 2.5 | 6.5 | 3.6 | 28.8 | 9.7 | 2 | 7269 | Y-PK-3 | 10 |
| PK-4 | 3.4 | 7.8 | 4.8 | 34.5 | 11.7 | 3 | 9586 | Y-PK-4 | 10 |
| PK-6 | 5.3 | 10.4 | 7 | 49.2 | 14 | 12 | 150013 | Y-PK-6 | 10 |

1) Packaging unit

Datasheet

Barbed T-connector FCN



Operating and environmental conditions

| | |
|--|--|
| Operating pressure [bar] | -0.95 ... +10 |
| Operating medium | Compressed air to ISO 8573-1:2010 [7:-:-] |
| Note on the operating/pilot medium | Lubricated operation possible (in which case lubricated operation will always be required) |
| Ambient temperature [°C] | 0 ... +60 |
| Corrosion resistance class CRC ¹⁾ | 2 |

1) Corrosion resistance class CRC 2 to Festo standard FN 940070
Moderate corrosion stress. Indoor applications in which condensation can occur. External visible parts with primarily decorative surface requirements which are in direct contact with a normal industrial environment.

Materials

| | |
|-------------------|----------------|
| Housing | Die-cast zinc |
| Note on materials | RoHS-compliant |

Dimensions

| Pneumatic connection For tubing O.D. | | B1 | B2 | D1 | D2 | D5 | H1 | H2 | H3 | L1 | L2 | L3 |
|---|--------|------|-----|------|------|-----|------|-----|-----|------|----|------|
| 1 [mm] | 2 [mm] | | | | | | | | | | | |
| 3 | 3 | 6 | 4 | 2.95 | 2.95 | 3.2 | 15.7 | 3.1 | 2.6 | 28 | 8 | 6 |
| | 4 | 8.4 | 5.2 | 2.95 | 3.6 | 4.3 | 17.9 | 3.5 | 3.9 | 38.4 | 10 | 9.7 |
| 4 | 4 | 8.4 | 5.2 | 3.6 | 3.6 | 4.3 | 21.6 | 3.5 | 3.9 | 38.4 | 10 | 9.7 |
| | 6 | 10.2 | 7 | 3.6 | 4.8 | 4.3 | 22 | 3.5 | 4.3 | 44.4 | 12 | 11.7 |
| 6 | 6 | 10.2 | 7 | 4.8 | 4.8 | 4.3 | 24 | 3.5 | 4.3 | 44.4 | 12 | 11.7 |
| | 8 | 12 | 8.8 | 4.8 | 7 | 4.3 | 25.9 | 4.4 | 5.3 | 49.4 | 12 | 14.2 |
| 8 | 8 | 12 | 8.8 | 7 | 7 | 4.3 | 28.4 | 4.4 | 5.3 | 49.4 | 12 | 14.2 |

Ordering data

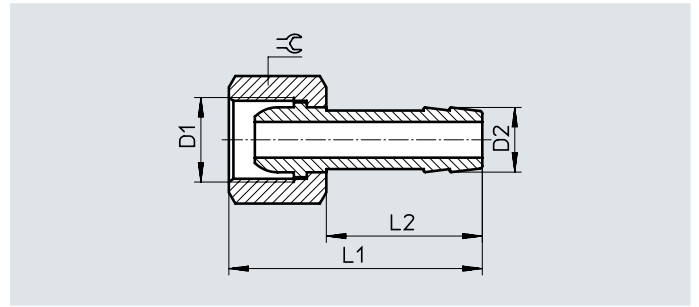
| Pneumatic connection For tubing O.D. | | Nominal size | Weight/piece | Part no. | Type | PU ¹⁾ |
|---|--------|--------------|--------------|----------|--------------|------------------|
| 1 [mm] | 2 [mm] | [mm] | [g] | | | |
| 3 | 3 | 1.3 | 5 | 19527 | FCN-3-PK-2B | 10 |
| | 4 | 1.3 | 8 | 31314 | FCN-3-PK-3/2 | 10 |
| 4 | 4 | 2 | 8 | 14768 | FCN-3-PK-3 | 10 |
| | 6 | 2 | 12 | 31315 | FCN-3-PK-4/3 | 10 |
| 6 | 6 | 2.9 | 12 | 14769 | FCN-3-PK-4 | 10 |
| | 8 | 2.9 | 16 | 31316 | FCN-3-PK-6/4 | 10 |
| 8 | 8 | 4.9 | 16 | 14770 | FCN-3-PK-6 | 10 |

1) Packaging unit

Datasheet

Barbed hose fitting C-...-P

Plastic tubing is inserted and then secured with a hose clip SK.



Operating and environmental conditions

| | |
|------------------------------------|--|
| Operating medium | Compressed air to ISO 8573-1:2010 [7:-:-] |
| Note on the operating/pilot medium | Lubricated operation possible (in which case lubricated operation will always be required) |

Materials

| | |
|---------|-------|
| Housing | Brass |
|---------|-------|

Dimensions and ordering data

| Pneumatic connection | | Nominal size [mm] | D2 | L1 | L2 | ≅ | Weight/ piece [g] | Part no. | Type | PU ¹⁾ |
|----------------------|-------|-------------------|------|----|----|----|-------------------|----------|------------|------------------|
| D1 | | [mm] | | | | | | | | |
| G thread | | | | | | | | | | |
| G1/8 | PK-6 | 4 | 7 | 36 | 24 | 13 | 18 | 2021 | C-1/8-P-6 | 10 |
| G1/4 | PK-6 | 4.5 | 7 | 39 | 24 | 17 | 28 | 2022 | C-1/4-P-6 | 10 |
| | PK-9 | 5.5 | 10 | 39 | 24 | 17 | 34 | 2023 | C-1/4-P-9 | 10 |
| G3/8 | PK-6 | 4.5 | 7 | 39 | 24 | 19 | 31 | 2024 | C-3/8-P-6 | 1 |
| | PK-9 | 6.5 | 10 | 39 | 24 | 19 | 34 | 2025 | C-3/8-P-9 | 1 |
| G1/2 | PK-13 | 11 | 14.8 | 50 | 30 | 24 | 64 | 2026 | C-1/2-P-13 | 1 |

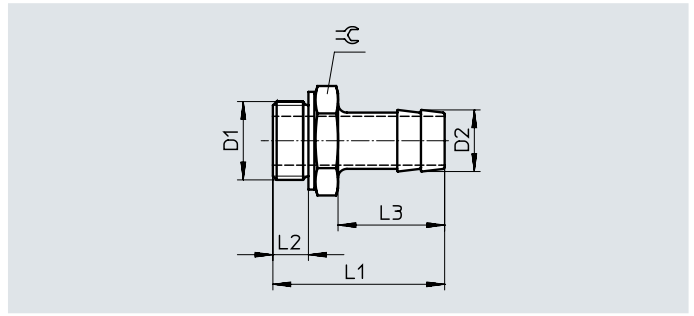
1) Packaging unit

Datasheet

Barbed hose fitting N-...-P

Aluminium version

Plastic tubing is inserted and then secured with a hose clip SK.



General technical data

| | |
|----------------------------------|--|
| Design | Straight shape |
| Mounting position | Any |
| Type of seal on screwed trunnion | Sealing ring (G thread) Coating (R thread and NPT thread) |

Operating and environmental conditions

| | |
|---|--|
| Operating pressure for entire temperature range [bar] | -0.95 ... +16 |
| Operating medium | Compressed air to ISO 8573-1:2010 [7:-:-] |
| Ambient temperature | -10 - 60 °C |
| PWIS conformity | VDMA24364-B1/B2-L |
| Note on the operating/pilot medium | Lubricated operation possible (in which case lubricated operation will always be required) |
| Corrosion resistance class CRC ¹⁾ | 2 |

1) Corrosion resistance class CRC 2 to Festo standard FN 940070

Moderate corrosion stress. Indoor applications in which condensation can occur. External visible parts with primarily decorative surface requirements which are in direct contact with a normal industrial environment.

Materials

| | |
|-------------------|--------------------|
| Housing | Anodised aluminium |
| Note on materials | RoHS-compliant |

Dimensions and ordering data

| Pneumatic connection | | Max. tightening torque [Nm] | Nominal size [mm] | Dimensions [mm] | | | | | Weight/piece [g] | Part no. | Type | PU ¹⁾ |
|-----------------------------------|-----------------|-----------------------------|-------------------|-----------------|-------|------|------|-------|------------------|----------|----------------|------------------|
| Male thread | For tubing I.D. | | | D2 | L1 | L2 | L3 | ⊕ | | | | |
| D1 | | | | | | | | | | | | |
| G thread with sealing ring | | | | | | | | | | | | |
| G1/8 | 6 | 5 | 4.5 | 7 | 34.7 | 4.9 | 24.2 | 13 | 3.33 | 3605 | N-1/8-P-6 | 10 |
| G1/4 | 6 | 12 | 4.5 | 7 | 37.1 | 5.8 | 24.1 | 17 | 6.3 | 3606 | N-1/4-P-6 | 10 |
| | 9 | 12 | 6.5 | 10 | 37.1 | 5.8 | 24.1 | 17 | 7.14 | 3607 | N-1/4-P-9 | 1 |
| G3/8 | 6 | 15 | 4.5 | 7 | 38.1 | 6.8 | 24.1 | 19 | 9 | 3608 | N-3/8-P-6 | 1 |
| | 9 | 15 | 7.6 | 10 | 38.1 | 6.8 | 24.1 | 19 | 8.77 | 3609 | N-3/8-P-9 | 1 |
| | 13 | 15 | 11 | 14.8 | 45.4 | 6.8 | 30 | 19 | 178 | 36160 | N-3/8-P-13 | 1 |
| G1/2 | 9 | 18 | 8 | 10.3 | 39.5 | 8.15 | 24 | 24 | 15.1 | 3610 | N-1/2-P-9 | 1 |
| | 13 | 18 | 11 | 14.8 | 45.5 | 8.15 | 30 | 24 | 15 | 3611 | N-1/2-P-13 | 1 |
| G3/4 | 13 | 40 | 11 | 14.8 | 50 | 9.05 | 30 | 32 | 31.75 | 3612 | N-3/4-P-13 | 1 |
| | 19 | 40 | 16.5 | 20.8 | 56 | 9.05 | 36 | 32 | 33.61 | 3613 | N-3/4-P-19 | 1 |
| R thread | | | | | | | | | | | | |
| R1 | 19 | - | 16.5 | 20.8 | 68.6 | - | 36 | 34 | 67.6 | 572260 | N-1-P-19 | 1 |
| NPT thread | | | | | | | | | | | | |
| 3/4 NPT | 19 | 40 | 16.5 | 20.8 | 66.68 | - | 36 | 30.17 | 44 | 564848 | N-3/4-P-19-NPT | 1 |
| 1 1/2 NPT | 19 | - | 16.5 | 20.8 | 74.0 | - | 36 | 34 | 76.6 | 572243 | N-1-P-19-NPT | 1 |

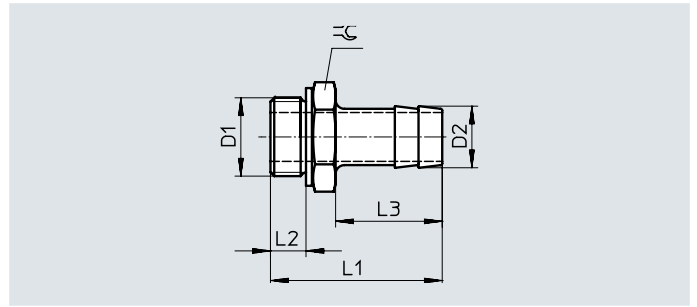
1) Packaging unit

Datasheet

Barbed hose fitting N-...-P-...-MS

Brass version

Plastic tubing is inserted and then secured with a hose clip SK.



General technical data

| | |
|----------------------------------|----------------|
| Design | Straight shape |
| Mounting position | Any |
| Type of seal on screwed trunnion | Sealing ring |

Operating and environmental conditions

| | |
|---|--|
| Operating pressure for full temperature range [bar] | -0.95 ... +16 |
| Operating medium | Compressed air to ISO 8573-1:2010 [7:--] |
| Ambient temperature | -10 - 60 °C |
| PWIS conformity | VDMA24364-B1/B2-L |
| Note on the operating/pilot medium | Lubricated operation possible (in which case lubricated operation will always be required) |
| Corrosion resistance class CRC ¹⁾ | 1 |

1) Corrosion resistance class CRC 1 to Festo standard FN 940070

Low corrosion stress. Dry internal application or transport and storage protection. Also applies to parts behind covers, in the non-visible interior area, or parts which are covered in the application (e.g. drive trunnions).

Materials

| | |
|-------------------|----------------|
| Housing | Brass |
| Note on materials | RoHS-compliant |

Dimensions and ordering data

| Pneumatic connection | | Max. tightening torque | Nominal size | Dimensions [mm] | | | | | Weight/ piece | Part no. | Type | PU ¹⁾ |
|-----------------------------------|-----------------|------------------------|--------------|-----------------|------|------|------|----|---------------|----------|---------------|------------------|
| Male thread | For tubing I.D. | | | D2 | L1 | L2 | L3 | ☞ | | | | |
| D1 | | [Nm] | [mm] | | | | | | [g] | | | |
| G thread with sealing ring | | | | | | | | | | | | |
| G1/8 | 6 | 5 | 4.5 | 7 | 34.7 | 4.9 | 24.2 | 13 | 9 | 15630 | N-1/8-P-6-MS | 10 |
| G1/4 | 6 | 12 | 4.5 | 7 | 37.1 | 5.8 | 24.1 | 17 | 18 | 15631 | N-1/4-P-6-MS | 10 |
| | 9 | 12 | 6.5 | 10 | 37.1 | 5.8 | 24.1 | 17 | 20 | 15632 | N-1/4-P-9-MS | 10 |
| G3/8 | 6 | 15 | 4.5 | 7 | 38.1 | 6.8 | 24.1 | 19 | 26 | 15633 | N-3/8-P-6-MS | 10 |
| | 9 | 15 | 7.6 | 10 | 38.1 | 6.8 | 24.1 | 19 | 25 | 15634 | N-3/8-P-9-MS | 10 |
| | 13 | 15 | 11 | 14.8 | 45.4 | 6.8 | 30 | 19 | 243 | 36161 | N-3/8-P-13-MS | 1 |
| G1/2 | 9 | 18 | 8 | 10.3 | 39.5 | 8.15 | 24 | 24 | 44 | 15635 | N-1/2-P-9-MS | 1 |
| | 13 | 18 | 11 | 14.8 | 45.5 | 8.15 | 30 | 24 | 45 | 15636 | N-1/2-P-13-MS | 1 |
| G3/4 | 13 | 40 | 11 | 14.8 | 50 | 9.05 | 30 | 32 | 94 | 15637 | N-3/4-P-13-MS | 1 |
| | 19 | 40 | 16.5 | 20.8 | 56 | 9.05 | 36 | 32 | 96 | 15638 | N-3/4-P-19-MS | 1 |

1) Packaging unit

Datasheet

Hose clip SK to DIN 3017

The hose clips are provided with a screw thread. 9 mm band width.



Materials

| | |
|---------|-------|
| Housing | Steel |
|---------|-------|

Ordering data

| Clamping range Ø [mm] | Weight/piece [g] | Part no. | Type | PJ ¹⁾ |
|--------------------------|---------------------|----------|----------|------------------|
| 8 ... 16 | 7 | 9274 | SK-8-16 | 10 |
| 16 ... 27 | 12 | 9275 | SK-16-27 | 10 |
| 20 ... 32 | 13 | 9276 | SK-20-32 | 10 |

1) Packaging unit

Festo - Your Partner in Automation



1 Festo Inc.
5300 Explorer Drive
Mississauga, ON L4W 5G4
Canada

Festo Customer Interaction Center
Tel: 1 877 463 3786
Fax: 1 877 393 3786
Email: customer.service.ca@festo.com



2 Festo Pneumatic
Av. Ceylán 3,
Col. Tequesquináhuac
54020 Tlalnepantla,
Estado de México

Multinational Contact Center
01 800 337 8669
ventas.mexico@festo.com



3 Festo Corporation
1377 Motor Parkway
Suite 310
Islandia, NY 11749

Festo Customer Interaction Center
1 800 993 3786
1 800 963 3786
customer.service.us@festo.com



4 Regional Service Center
7777 Columbia Road
Mason, OH 45040

Connect with us



www.festo.com/socialmedia



www.festo.com

Subject to change