

Standard cylinders CDN, ISO 15552, Clean Design



- 1 - Type discontinued
Available up until 2012

Standard cylinders CDN, ISO 15552, Clean Design

FESTO

Key features

Design



DIN



- Standards-based cylinders to ISO 15552 (corresponds to the withdrawn standards ISO 6431, DIN ISO 6431, VDMA 24 562, NF E 49 003.1 and UNI 10290)

Easy to clean

- Clean Design means smooth surfaces without slots and edges, which means fewer places where dirt can collect
- For hygiene reasons, the threads on the cylinder caps should be sealed with suitable blanking screws
- Resistant to conventional cleaning agents
- Increased corrosion protection

Easy to mount

- Comprehensive range of mounting accessories for just about every type of installation
- Contactless position sensing via proximity sensors

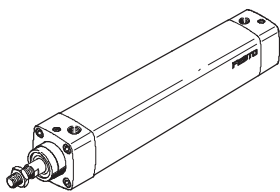
Flexible

- The variants can be configured according to individual needs thanks to the modular product system
- Greater flexibility thanks to the wide range of variants

Variants		
Symbol	Key features	Description
	A3 Unlubricated operation	Cleaning processes degrease the piston rod. A special piston rod seal permits a longer service life compared to the standard seal.
	S2 Through piston rod	For working at both ends with the same force in the forward and return stroke, for attaching external stops.
	K2 Extended male piston rod thread	–
	K3 Female piston rod thread	–
	K8 Extended piston rod	–
	S6 Heat-resistant seals	Temperature resistance up to max. 120 °C. The seals used and the grease mean that this variant is not suitable for direct contact with foodstuffs.

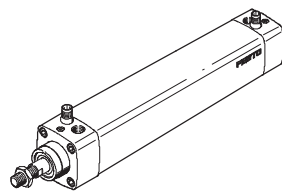
CDN-...

- Ø 32 ... 100 mm
- Without position sensing



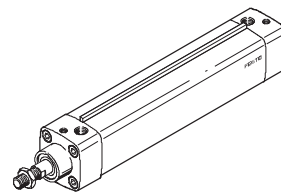
CDN-...-A...-R

- Ø 32 ... 100 mm
- With position sensing integrated in the end positions



CDN-...-A-R

- Ø 32 ... 100 mm
- With sensor mounting rail for external position sensing



Note

A combination of integrated and external position sensing is possible.

Longer service life thanks to the bellows kit DADB



The bellows kit is a leak-free system. To prevent unwanted media being drawn in, the supply and exhaust air must be ducted via a venting hole in the connection part **1**.

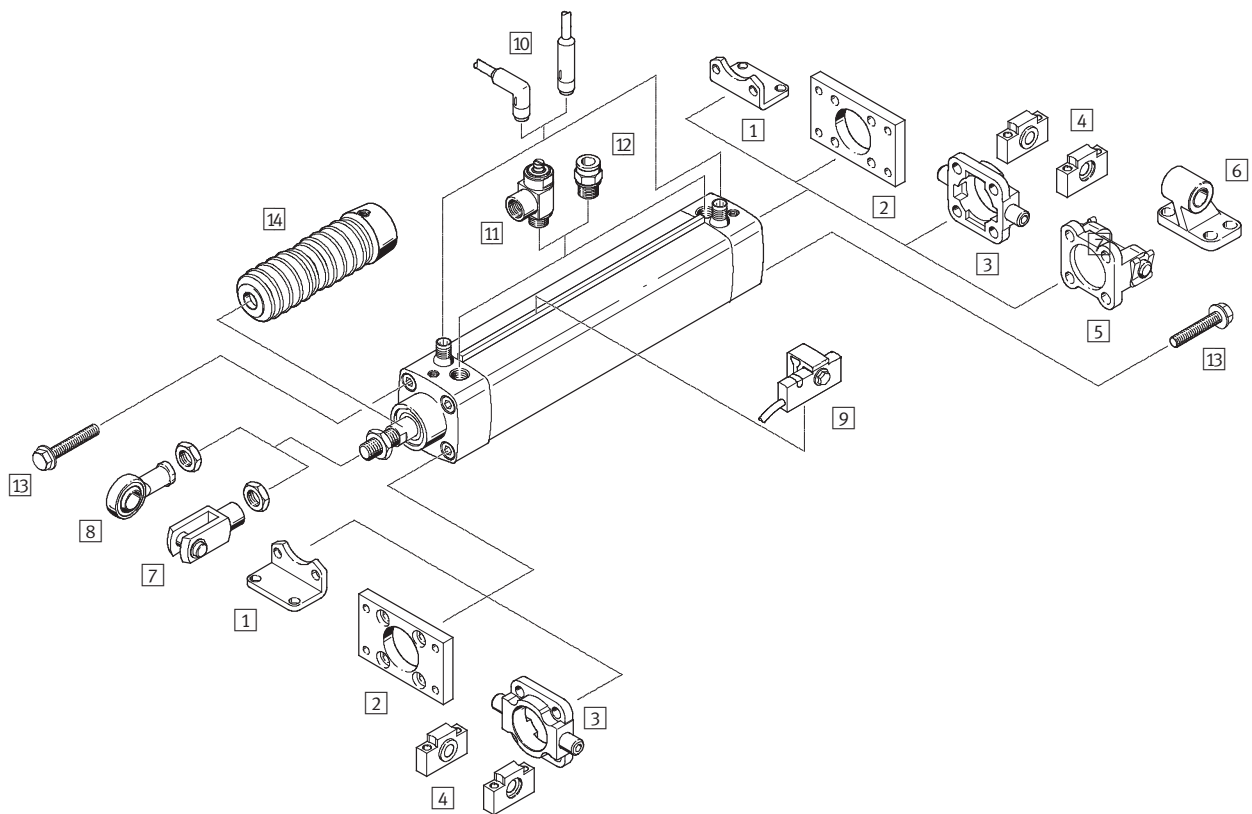
The kit protects the piston rod, seal and bearings from a wide range of media, for example:

- dust,
- chips,
- oil,
- grease,
- fuel.

Standard cylinders CDN, ISO 15552, Clean Design

Peripherals overview

FESTO



Mounting attachments and accessories		
	Brief description	→ Page/Internet
1	Foot mounting CRHNC	For bearing and end caps 15
2	Flange mounting CRFNG	– For bearing or end caps – Cannot be used on the bearing cap in combination with bellows kit DADB 15
3	Trunnion flange CRZNG	– For bearing or end caps in combination with trunnion supports CRLNZG – Cannot be used on the bearing cap in combination with bellows kit DADB 16
4	Trunnion supports CRLNZG	For swivel mounting CRZNG 16
5	Swivel flange SNCB- ... -R3	For end caps 17
6	Clevis foot CRLNG	For swivel flange SNCB- ...-R3 17
7	Rod clevis CRSG	Permits a swivelling movement of the cylinder in one plane 24
8	Rod eye CRSGS	With spherical bearing 24
9	Proximity sensor SMT-C1	For attachment to the sensor mounting rail 22
10	Plug socket with cable SIM-K- ... -CDN	– For electrical signal transmission and power supply – With food industry approval 22
11	One-way flow control valve CRGRLA	For regulating speed 24
12	Push-in fittings QS-F/QSL-F/CRQS/CRQSL	For connecting compressed air tubing with standard outside diameter 22
13	Blanking screws CR	For covering unused mounting threads 24
14	Bellows kit DADB	– Protects the cylinder (piston rod, seal and bearings) against a wide range of media and thus prevents premature wear – The kit can only be used in combination with an extended piston rod (K8) 18

- 1 - Type discontinued
Available up until 2012

Standard cylinders CDN, ISO 15552, Clean Design

FESTO

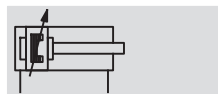
Type codes

		CDN	-	50	-	200	-	PPV	-	AIB	-	SME	-		-	R	-	K2	
Type																			
Double-acting																			
CDN	Standard cylinder, Clean Design																		
Piston Ø [mm]																			
Stroke [mm]																			
Cushioning																			
PPV	Pneumatic cushioning, adjustable at both ends																		
Position sensing																			
A	Via proximity sensor																		
AIB	At both ends, integrated																		
AIV	Front, integrated																		
AIH	Rear, integrated																		
Proximity sensor																			
SME	Contacting (magnetic reed)																		
SMT	Non-contacting (magneto-resistive)																		
Wiper seal material																			
A3	Suitable for unlubricated operation																		
Sensor mounting rail																			
R	For external position sensing																		
Variant																			
S2	Through piston rod																		
K2	Extended male piston rod thread																		
K3	Female piston rod thread																		
K8	Extended piston rod																		
S6	Heat-resistant seals for temperatures up to 120 °C																		

Standard cylinders CDN, ISO 15552, Clean Design

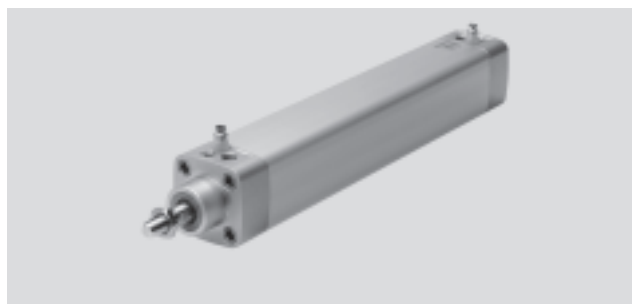
Technical data

Function



- N- Diameter
32 ... 100 mm
- T- Stroke length
10 ... 2,000 mm

- Standards-based cylinders to ISO 15552 (corresponds to the withdrawn standards ISO 6431, DIN ISO 6431, VDMA 24 562, NF E 49 003.1 and UNI 10290)



www.festo.com/en/
Spare_parts_service

Wearing parts kits
→ 9

General technical data						
Piston Ø	32	40	50	63	80	100
Pneumatic connection	G1/8	G1/4	G1/4	G3/8	G3/8	G1/2
Piston rod thread	M10x1.25	M12x1.25	M16x1.5	M16x1.5	M20x1.5	M20x1.5
Constructional design	Piston					
	Piston rod					
	Cylinder barrel					
Cushioning	Pneumatic cushioning, adjustable at both ends					
Cushioning length [mm]	20	20	22	22	32	32
Position sensing	A	Via proximity sensor				
	AIB	At both ends, integrated				
	AIV	Front, integrated				
	AIH	Rear, integrated				
Type of mounting	Via female thread					
	Via accessories					
Mounting position	Any					

Operating and environmental conditions	
Operating medium	Compressed air in accordance with ISO 8573-1:2010 [7:4:4]
Note on operating/pilot medium	Operation with lubricated medium possible (in which case lubricated operation will always be required)
Operating pressure [bar]	0.6 ... 12
Ambient temperature ¹⁾ [°C]	-20 ... +80
S6 [°C]	0 ... +120
CE mark (see declaration of conformity)	To EU EMC Directive ²⁾
Corrosion resistance class CRC ³⁾	3

1) Note operating range of proximity sensors.

2) For information about the applicability of the component see the manufacturer's EC declaration of conformity at: www.festo.com → Support → User documentation.
If the component is subject to restrictions on usage in residential, office or commercial environments or small businesses, further measures to reduce the emitted interference may be necessary.

3) Corrosion resistance class 3 as per Festo standard 940 070
Components requiring higher corrosion resistance. External visible parts in direct contact with industrial atmospheres or media such as solvents and cleaning agents, with a predominantly functional requirement for the surface.

- 1 - Type discontinued
Available up until 2012

Standard cylinders CDN, ISO 15552, Clean Design

FESTO

Technical data

Forces [N] and impact energy [J]						
Piston Ø	32	40	50	63	80	100
Theoretical force at 6 bar, advancing	483	754	1,178	1,870	3,016	4,712
Theoretical force at 6 bar, retracting	415	633	990	1,682	2,721	4,418
Max. impact energy at the end positions	0.4	0.7	1.0	1.3	1.6	1.6
S6	0.2	0.35	0.5	0.65	0.8	0.8

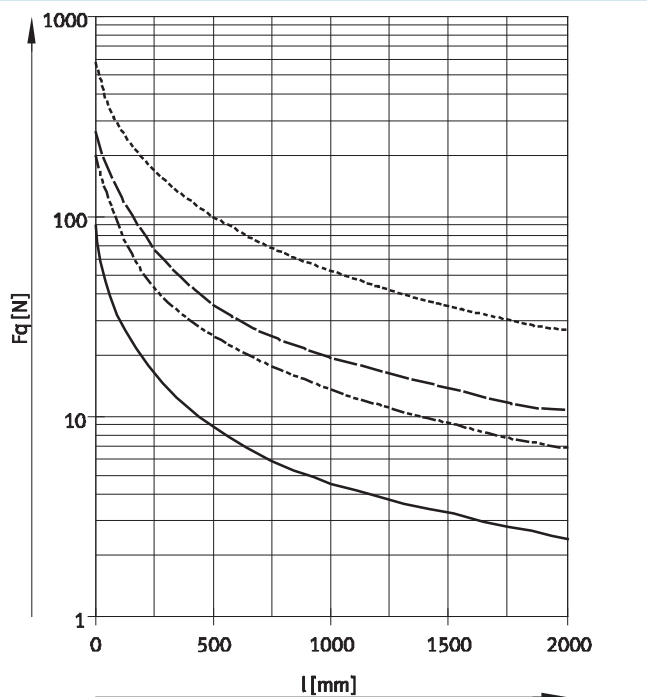
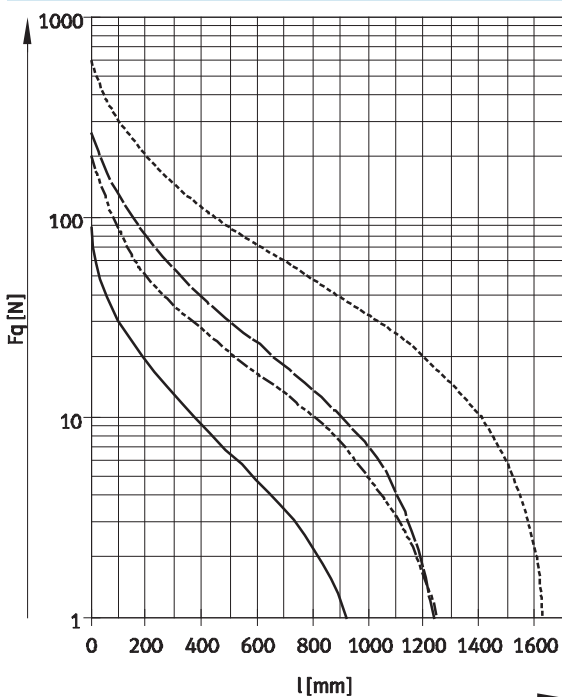
Permissible impact velocity:
$$v_{perm.} = \sqrt{\frac{2 \times E_{perm.}}{m_{dead} + m_{load}}}$$

Maximum permissible load:
$$m_{load} = \frac{2 \times E_{perm.}}{v^2} - m_{dead}$$

$v_{perm.}$ Permissible impact velocity
 $E_{perm.}$ Max. impact energy
 $m_{intrinsic}$ Moving load (drive)
 m_{load} Moving effective load

Note
 This data represents the maximum values that can be achieved. The maximum permissible impact energy must be observed.

Max. lateral force F_q as a function of stroke length l



- Ø 32
- - - - - Ø 40
- · - · - Ø 50, 63
- · - · - · - Ø 80, 100

Standard cylinders CDN, ISO 15552, Clean Design

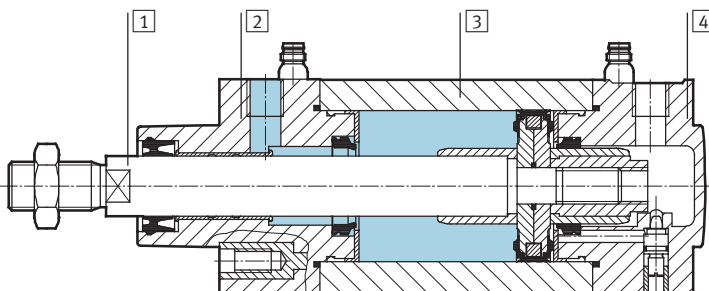
FESTO

Technical data


Weight [g]						
Piston \varnothing	32	40	50	63	80	100
Basic version						
Product weight with 0 mm stroke	600	920	1,530	2,140	3,151	4,820
Additional weight per 10 mm stroke	33	42	65	70	137	158
Moving load with 0 mm stroke	130	250	450	510	1,131	1,544
Additional load per 10 mm stroke	9	16	25	25	137	158
S2 – Through piston rod						
Product weight with 0 mm stroke	715	1,130	1,920	2,570	3,613	5,389
Additional weight per 10 mm stroke	42	58	90	95	175	196
Moving load with 0 mm stroke	210	420	780	860	1,392	1,872
Additional load per 10 mm stroke	18	32	50	50	76	76

Materials

Sectional view



Standard cylinder	Basic version	S6	A3
1 Piston rod	High-alloy steel		
2 Bearing cap	Anodised aluminium		
3 Cylinder barrel	Anodised aluminium		
4 End cap	Die-cast aluminium		
- Seals	Polyurethane, nitrile rubber	Fluoro rubber	Polyethylene
- Note on materials	Free of copper and PTFE		

-  - Type discontinued
Available up until 2012

Standard cylinders CDN, ISO 15552, Clean Design

FESTO

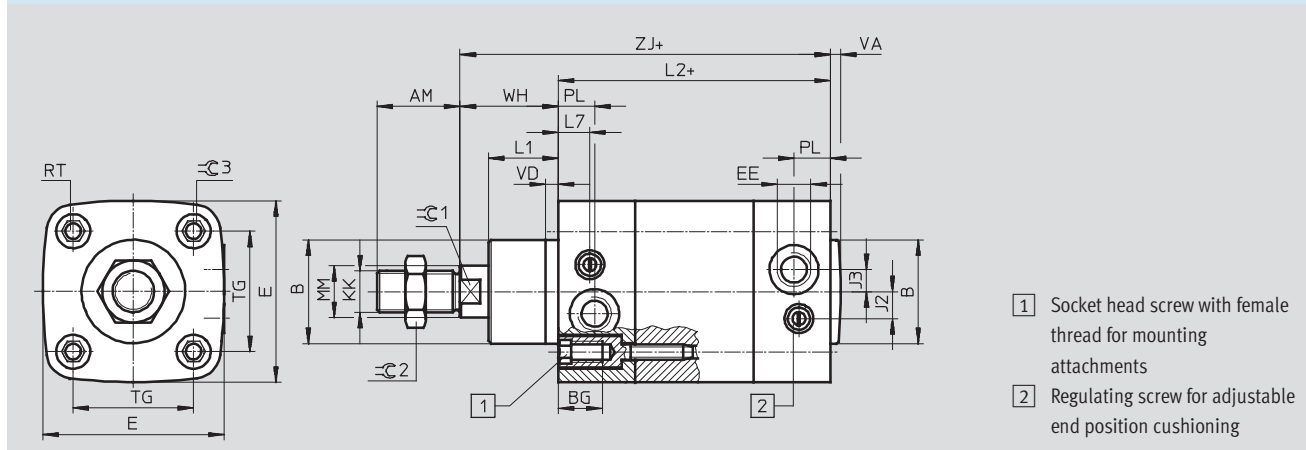
Technical data

Dimensions

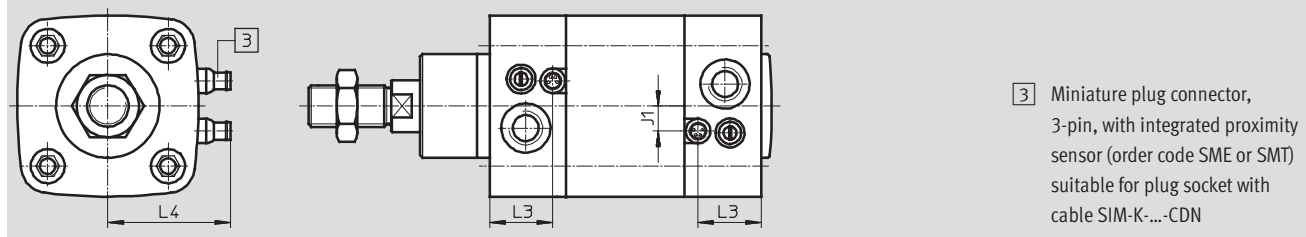
Download CAD Data → www.festo.com/us/cad

Basic version

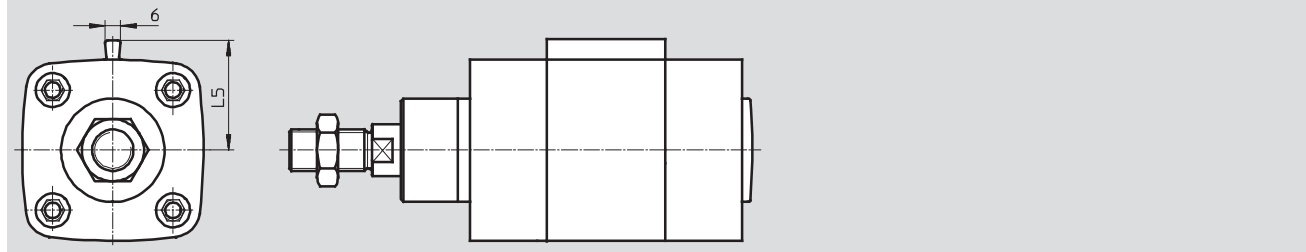
and A3 – unlubricated operation



With position sensing integrated in the end positions



With sensor mounting rail for external position sensing



∅	AM	B	BG	E	EE	J1	J2	J3	KK	L1	L2	L3	L4
[mm]		∅ d11	min.										±2
32	22	30	16	50	G $\frac{3}{8}$	6	6	5.5	M10x1.25	18	94 ±0.4	23.2	35
40	24	35	16	58	G $\frac{1}{4}$	8.5	8.4	6.5	M12x1.25	21	105 ±0.4	28.2	39
50	32	40	17	70	G $\frac{3}{4}$	9	9	8.5	M16x1.5	28	106 ±0.4	28.2	45
63	32	45	17	81	G $\frac{3}{8}$	14	14	11	M16x1.5	28.5	121 ±0.4	35.7	50
80	40	45	17	100	G $\frac{3}{8}$	21.5	14.5	8	M20x1.5	34.5	128 ±0.8	30.6	60
100	40	55	17	120	G $\frac{1}{2}$	22	16	17.5	M20x1.5	38	138 ±1	33.5	70

∅	L5	L7	MM	PL	RT	TG	VA	VD	WH	ZJ	∅C1	∅C2	∅C3
[mm]			∅						±1.4				
32	30	10.5	12	17	M6	32.5	4	5	26	120	10	17	6
40	34	16	16	22	M6	38	4	5	30	135	13	19	6
50	40	12	20	20	M8	46.5	4	5	37	143	17	24	8
63	45.5	17.5	20	26	M8	56.5	4	5	37	158	17	24	8
80	55	15.4	25	16.4	M10	72	4	5	46	174	22	30	6
100	65	15.8	25	19	M10	89	4	5	51	189	22	30	6

Standard cylinders CDN, ISO 15552, Clean Design

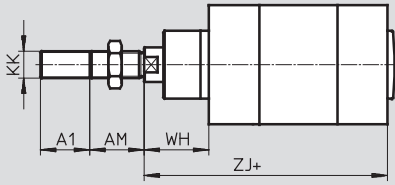
FESTO

Technical data

Dimensions – Variants

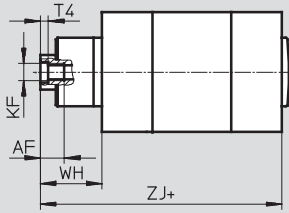
Download CAD Data → www.festo.com/us/cad

K2 – Extended male piston rod thread



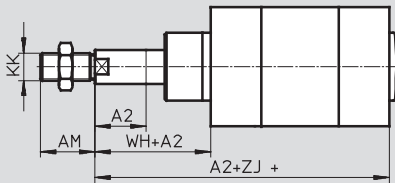
+ = plus stroke length

K3 – Female piston rod thread



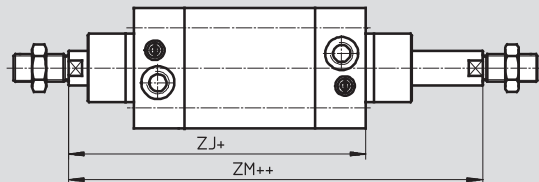
+ = plus stroke length

K8 – Extended piston rod



+ = plus stroke length

S2 – Through piston rod



+ = plus stroke length

++ = plus 2x stroke length

∅	AF	AM	A1	A2	KF	KK	T4	WH	ZJ	ZM
[mm]			max.	max.				±1.4		
32	12	22	35	500	M6	M10x1.25	2.6	26	120	146.6
40	12	24	35		M8	M12x1.25	3.3	30	135	165.3
50	16	32	70		M10	M16x1.5	4.7	37	143	180.3
63	16	32	70		M10	M16x1.5	4.7	37	158	195.9
80	20	40	70		M12	M20x1.5	6.1	46	174	222
100	20	40	70		M12	M20x1.5	6.1	51	189	240

Ordering data – Wearing parts kits

Piston ∅ [mm]	Part No.	Type	Piston ∅ [mm]	Part No.	Type
32	397 440	CDN-32-...-PPV-A ¹⁾	63	397 443	CDN-63-...-PPV-A ¹⁾
40	397 441	CDN-40-...-PPV-A ¹⁾	80	397 444	CDN-80-...-PPV-A ¹⁾
50	397 442	CDN-50-...-PPV-A ¹⁾	100	397 445	CDN-100-...-PPV-A ¹⁾

1) Assembly grease included in scope of delivery

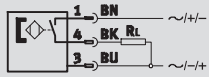
- 1 - Type discontinued
Available up until 2012

Standard cylinders CDN, ISO 15552, Clean Design

Technical data

FESTO

Proximity sensor,
magnetic reed
(order code SME)



Note

The proximity sensor can only be ordered in conjunction with the order code AIB, AIV and AIH (integrated position sensing) in the modular product system.



Technical data		
General information		
Design	Integrated	
Based on standard	DIN EN 60947-5-2	
CE mark (see declaration of conformity)	To EU EMC Directive	
Note on materials	Free of copper and PTFE	
Input signal/measuring element		
Measuring principle	Magnetic reed	
Ambient temperature	[°C]	-20 ... +60
Switching output		
Switching output	Contacting, bipolar	
Switching element function	N/O contact	
Reproducibility of switching point	[mm]	±0.1
Hysteresis	[mm]	1 ... 4, depending on the cylinder used
Switch-on time	[ms]	0.5
Switch-off time	[ms]	0.5
Max. output current	[mA]	500
Max. switching capacity AC	[W]	10 VA
Max. switching capacity DC	[W]	10 W
Inductive protective circuit	Adapted to MZ coil with LED	
Residual current	[mA]	0
Output, further data		
Protection against short circuit	No	
Protection against overloading	No	
Electronic components		
Operating voltage range	[V AC]	12 ... 30
	[V DC]	12 ... 30
Protection against polarity reversal	No	
Electromechanical components		
Electrical connection	Plug, M8x1, 3-pin	
Connection direction	Lateral	
Information on crimp connector materials	Gold-plated brass	

Standard cylinders CDN, ISO 15552, Clean Design

FESTO

Technical data

Technical data	
Mechanical components	
Tightening torque	[Nm] 0.3
Mounting position	Any
Product weight	[g] 2.7
Information on housing materials	Polyamide, epoxy resin, nickel-plated brass
Display/operation	
Switching status display	Yellow LED
Immissions/emissions	
Degree of protection	IP65, IP67 to IEC 60529
	IP69K, to DIN 40050 Part 9
	Only in conjunction with plug socket with cable SIM-K-...-CDN
Corrosion resistance class CRC ¹⁾	3

- 1) Corrosion resistance class 3 according to Festo standard 940 070
Components subject to high corrosion stress. External visible parts in direct contact with industrial atmospheres or media such as solvents and cleaning agents, with a predominantly functional requirement for the surface.

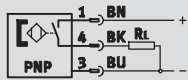
- 1 - Type discontinued
Available up until 2012

Standard cylinders CDN, ISO 15552, Clean Design

Technical data

FESTO

Proximity sensor,
magneto-resistive
(order code SMT)



Note

The proximity sensor can only be ordered in conjunction with the order code AIB, AIV and AIH (integrated position sensing) in the modular product system.



Technical data		
General information		
Design	Integrated	
Based on standard	DIN EN 60947-5-2	
CE mark (see declaration of conformity)	To EU EMC Directive	
Note on materials	Free of copper and PTFE	
Input signal/measuring element		
Measuring principle	Magneto-resistive	
Ambient temperature	[°C]	-20 ... +60
Switching output		
Switching output	PNP	
Switching element function	N/O contact	
Reproducibility of switching point	[mm]	±0.1
Hysteresis	[mm]	1 ... 4, depending on the cylinder used
Switch-on time	[ms]	0.5
Switch-off time	[ms]	0.5
Max. output current	[mA]	100
Max. switching capacity DC	[W]	3
Voltage drop	[V]	< 2
Inductive protective circuit	Adapted to MZ, MY, ME coils	
Residual current	[µA]	< 10
Output, further data		
Protection against short circuit	Yes	
Protection against overloading	Yes	
Electronic components		
Operating voltage range	[V DC]	5 ... 30
Residual ripple	[%]	10
Protection against polarity reversal	Yes	
Electromechanical components		
Electrical connection	Plug, M8x1, 3-pin	
Connection direction	Lateral	
Information on crimp connector materials	Gold-plated brass	

Standard cylinders CDN, ISO 15552, Clean Design

FESTO

Technical data

Technical data	
Mechanical components	
Tightening torque [Nm]	0.3
Mounting position	Any
Product weight [g]	2.7
Information on housing materials	Polyamide, epoxy resin, nickel-plated brass
Display/operation	
Switching status display	Yellow LED
Immissions/emissions	
Degree of protection	IP65, IP67 to IEC 60529
	IP69K, to DIN 40050 Part 9
	Only in conjunction with plug socket with cable SIM-K-...-CDN
Corrosion resistance class CRC ¹⁾	3

- 1) Corrosion resistance class 3 according to Festo standard 940 070
Components subject to high corrosion stress. External visible parts in direct contact with industrial atmospheres or media such as solvents and cleaning agents, with a predominantly functional requirement for the surface.

- 1 - Type discontinued
Available up until 2012

Standard cylinders CDN, ISO 15552, Clean Design

FESTO

Ordering data – Modular products

M Mandatory data				O Options									
Module No.	Function	Stroke		Position sensing		Wiper seal material		Type of piston rod		Female thread		Temperature resistance	
	Piston Ø	Cushioning		Proximity sensor		Sensor mounting rail		Extended male thread		Extended piston rod			
193 660	CDN	32	10 ...	PPV	A	SME	A3	R	S2	...K2	K3	...K8	S6
193 661		40	2 000		AIB	SMT							
193 662		50			AIV								
193 663		63			AIH								
193 664		80											
193 665		100											
Order example													
193 663	CDN	- 63	- 900	- PPV	- AIV	- SME				- 30K2			

Ordering table										
Size	32	40	50	63	80	100	Condi- tions	Code	Enter code	
M Module No.	193 660	193 661	193 662	193 663	193 664	193 665				
Function	Standard cylinder, double-acting, based on ISO 15552 (Clean Design)							CDN		CDN
Piston Ø [mm]	32	40	50	63	80	100		-...		
Stroke [mm]	10 ... 2 000								-...	
Cushioning	Pneumatic cushioning, adjustable at both ends								-PPV	-PPV
O Position sensing	Via proximity sensor							1	-A	
	At both ends, integrated							2	-AIB	
	Front, integrated							2	-AIV	
	Rear, integrated							2	-AIH	
Proximity sensor	SME (contacting)							3	-SME	
	SMT (non-contacting)							3	-SMT	
Wiper seal material	Suitable for unlubricated operation							4	-A3	
Sensor mounting rail	Sensor mounting rail for external position sensing							5	-R	
Type of piston rod	Through piston rod								-S2	
Extended male thread [mm]	Piston rod with extended male thread									
	1 ... 35			1 ... 70					-...K2	
Female thread	Piston rod with female thread									
	(M6)	(M8)	(M10)	(M12)				6	-K3	
Extended piston rod [mm]	Extended piston rod at front									
	1 ... 500								-...K8	
Temperature resistance	Heat-resistant seals for temperatures up to 120 °C							7	-S6	

- | | |
|--|--|
| 1 A Only with sensor rail R | 5 R Only with position sensing A, AIB, AIV or AIH |
| 2 AIB, AIV, AIH Only with proximity sensor SME or SMT | 6 K3 Not with extended male thread K2 |
| 3 SME, SMT Only with position sensing AIB, AIV or AIH | 7 S6 Not with position sensing A, AIB, AIV or AIH |
| 4 A3 Not with temperature resistance S6 | |
| | Not with position sensing AIB, AIV or AIH |

Transfer order code

- **CDN** - - - **PPV** - - - - - - - - - -

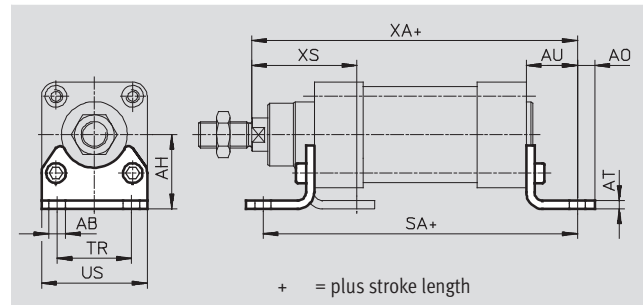
Standard cylinders CDN, ISO 15552, Clean Design



Accessories

Foot mounting CRHNC

Material:
High-alloy steel
Free of copper, PTFE and silicone



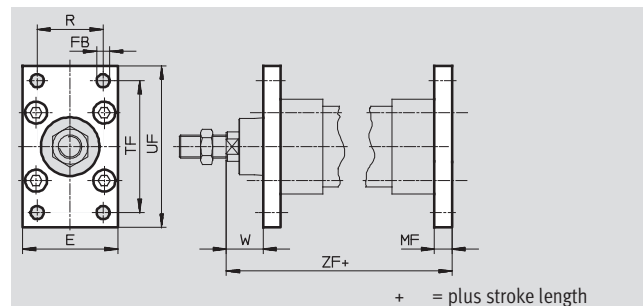
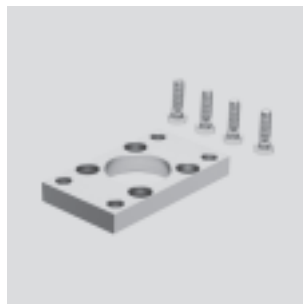
Dimensions and ordering data														
For \varnothing	AB \varnothing	AH	AO	AT	AU	SA	TR	US	XA	XS	CRC ¹⁾	Weight [g]	Part No.	Type
[mm]														
32	7	32	6.5	4	24	142	32	45	144.7	45.7	4	135	176 937	CRHNC-32
40	10	36	9	4	28	160.8	36	54	163.6	53.8	4	180	176 938	CRHNC-40
50	10	45	9.5	5	31	167.9	45	64	175	63.1	4	325	176 939	CRHNC-50
63	10	50	12.5	5	32	184.9	50	75	191.5	64.6	4	405	176 940	CRHNC-63
80	12	63	15	6	41	209.9	63	93	215.5	81.6	4	820	176 941	CRHNC-80
100	14.5	71	17.5	6	41	220.1	75	110	229.6	85.5	4	1,000	176 942	CRHNC-100

1) Corrosion resistance class 4 according to Festo standard 940 070
Components subject to particularly high corrosion stress. Parts used with aggressive media, e.g. in the food or chemical industry. These applications should be supported with special tests with the media if required.

Flange mounting CRFNG

Material:
High-alloy steel
Free of copper, PTFE and silicone

Cannot be used on the bearing cap in conjunction with bellows kit DADB.



Dimensions and ordering data													
For \varnothing	E	FB \varnothing	MF	R	TF	UF	W	ZF	CRC ¹⁾	Weight [g]	Part No.	Type	
[mm]													
32	45	7	10	32	64	80	16	130	4	240	161 846	CRFNG-32	
40	54	9	10	36	72	90	20	145	4	300	161 847	CRFNG-40	
50	65	9	12	45	90	110	25	155	4	550	161 848	CRFNG-50	
63	75	9	12	50	100	120	25	170	4	710	161 849	CRFNG-63	
80	93	12	16	63	126	150	30	190	4	1,680	161 850	CRFNG-80	
100	110	14	16	75	150	175	35	205	4	2,450	161 851	CRFNG-100	

1) Corrosion resistance class 4 according to Festo standard 940 070
Components subject to particularly high corrosion stress. Parts used with aggressive media, e.g. in the food or chemical industry. These applications should be supported with special tests with the media if required.

Standard cylinders CDN, ISO 15552, Clean Design



Accessories

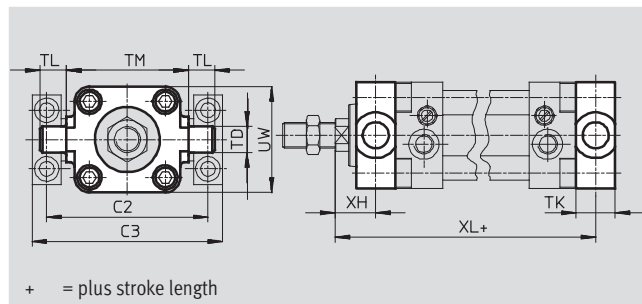
Trunnion flange CRZNG

Material:

High-alloy steel

Free of copper, PTFE and silicone

Cannot be used on the bearing cap in conjunction with bellows kit DADB.



Dimensions and ordering data													
For \varnothing	C2	C3	TD	TK	TL	TM	UW	XH	XL	CRC ¹⁾	Weight	Part No.	Type
[mm]			\varnothing e9								[g]		
32	71	86	12	16	12	50	50	18	128	4	150	161 852	CRZNG-32
40	87	105	16	20	16	63	55	20	145	4	260	161 853	CRZNG-40
50	99	117	16	24	16	75	65	25	155	4	430	161 854	CRZNG-50
63	116	136	20	24	20	90	75	25	170	4	640	161 855	CRZNG-63
80	136	156	20	28	20	110	100	32	188	4	1,300	161 856	CRZNG-80
100	164	189	25	38	25	132	120	32	208	4	2,400	161 857	CRZNG-100

1) Corrosion resistance class 4 according to Festo standard 940 070

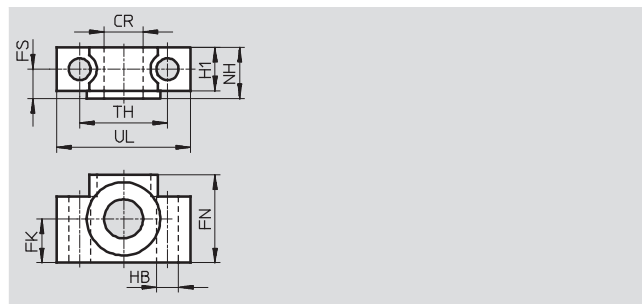
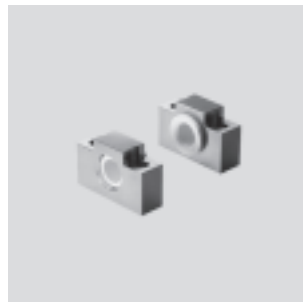
Components subject to particularly high corrosion stress. Parts used with aggressive media, e.g. in the food or chemical industry. These applications should be supported with special tests with the media if required.

Trunnion supports CRLNZG

Material:

High-alloy steel

Free of copper, PTFE and silicone



Dimensions and ordering data													
For \varnothing	CR	FK	FN	FS	H1	HB	NH	TH	UL	CRC ¹⁾	Weight	Part No.	Type
[mm]	\varnothing D11	\varnothing ± 0.1				\varnothing H13		± 0.2			[g]		
32	12	15	30	10.5	15	6.6	18	32	46	4	200	161 874	CRLNZG-32
40, 50	16	18	36	12	18	9	21	36	55	4	330	161 875	CRLNZG-40/50
63, 80	20	20	40	13	20	11	23	42	65	4	440	161 876	CRLNZG-63/80
100	25	25	50	16	24.5	14	28.5	50	75	4	740	161 877	CRLNZG-100/125

1) Corrosion resistance class 4 according to Festo standard 940 070

Components subject to particularly high corrosion stress. Parts used with aggressive media, e.g. in the food or chemical industry. These applications should be supported with special tests with the media if required.

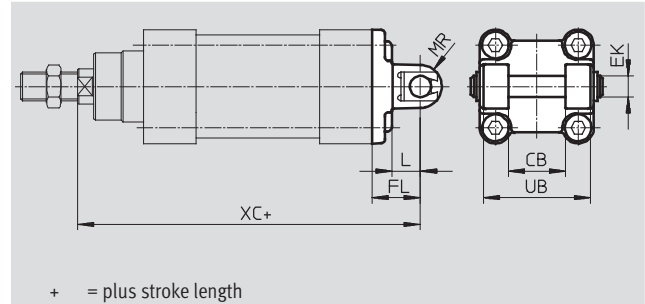
Standard cylinders CDN, ISO 15552, Clean Design



Accessories

Swivel flange SNCB- ... R3

Material:
Die-cast aluminium with protective coating
Free of copper, PTFE and silicone

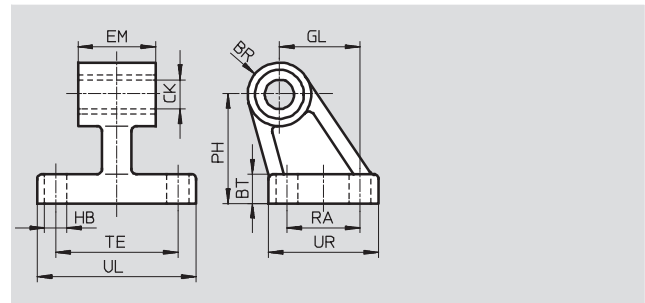


Dimensions and ordering data												
For \varnothing	CB	EK	FL	L	MR	UB	XC	CRC ¹⁾	Weight	Part No.	Type	
[mm]	H14	\varnothing e8	± 0.2			h14			[g]			
32	26	10	22	13	8.5	45	142.7	3	100	176 944	SNCB-32-R3	
40	28	12	25	16	12	52	160.6	3	150	176 945	SNCB-40-R3	
50	32	12	27	16	12	60	171	3	225	176 946	SNCB-50-R3	
63	40	16	32	21	16	70	191.5	3	365	176 947	SNCB-63-R3	
80	50	16	36	22	16	90	210.5	3	610	176 948	SNCB-80-R3	
100	60	20	41	27	20	110	229.6	3	925	176 949	SNCB-100-R3	

1) Corrosion resistance class 3 according to Festo standard 940 070
Components subject to high corrosion stress. External visible parts in direct contact with industrial atmospheres or media such as solvents and cleaning agents, with a predominantly functional requirement for the surface.

Clevis foot CRLNG

Material:
High-alloy steel
Free of copper, PTFE and silicone



Dimensions and ordering data															
For \varnothing	BR	BT	CK	EM	GL	HB	PH	RA	TE	UL	UR	CRC ¹⁾	Weight	Part No.	Type
[mm]			\varnothing D11	-0.4		\varnothing H13							[g]		
32	10	8	10	25.8	21	6.6	32	18	38	51	31	4	120	161 840	CRLNG-32
40	11	10	12	27.8	24	6.6	36	22	41	54	35	4	160	161 841	CRLNG-40
50	12	12	12	31.8	33	9	45	30	50	65	45	4	280	161 842	CRLNG-50
63	15	12	16	39.8	37	9	50	35	52	67	50	4	375	161 843	CRLNG-63
80	15	14	16	49.8	47	11	63	40	66	86	60	4	580	161 844	CRLNG-80
100	19	15	20	59.8	55	11	71	50	76	96	70	4	935	161 845	CRLNG-100

1) Corrosion resistance class 4 according to Festo standard 940 070
Components subject to particularly high corrosion stress. Parts used with aggressive media, e.g. in the food or chemical industry. These applications should be supported with special tests with the media if required.

Standard cylinders CDN, ISO 15552, Clean Design



Accessories

Bellows kit DADB



General technical data							
Type DADB-V6-		32	40	50	63	80	100
Max. stroke range of cylinder ¹⁾	[mm]	10 ... 500	10 ... 500	10 ... 500	10 ... 500	10 ... 500	10 ... 500
Type of mounting		Via threaded pin					
Mounting position		Any					
Resistance to media		Dust, chippings, oil, grease, fuel (→ Internet: Resistance to media)					
Ambient temperature ²⁾	[°C]	-10 ... +80					
Degree of protection		IP54					
Corrosion resistance class CRC ³⁾		3					

1) In conjunction with the bellows kit DADB

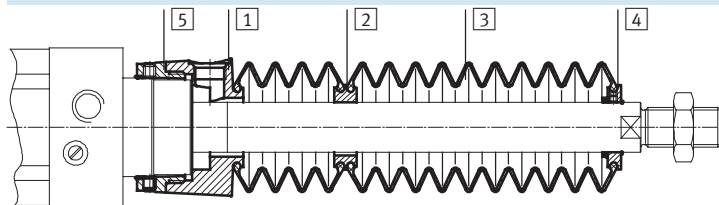
2) Note operating range of proximity sensors and cylinder

3) Corrosion resistance class 3 according to Festo standard 940 070

Components subject to high corrosion stress. External visible parts in direct contact with industrial atmospheres or media such as solvents and cleaning agents, with a predominantly functional requirement for the surface.

Materials

Sectional view



Bellows		
1	Connection	Polyamide
2	Adapter	Polyamide
3	Bellows	Nitrile rubber
4	End piece	Polyamide
5	Connector	Polyamide
-	O-ring	Nitrile rubber
Note on materials		Free of copper and PTFE
		RoHS-compliant

Weight [g]							
Type DADB-V6- Stroke [mm]		32	40	50	63	80	100
10 ... 50		29	42	71	69	99	124
51 ... 125		41	56	91	89	127	152
126 ... 175		52	68	105	103	140	165
176 ... 250		66	85	129	127	193	218
251 ... 300		79	100	147	145	231	255
301 ... 350		92	115	166	164	268	293
351 ... 375		92	115	167	165	259	284
376 ... 425		104	129	185	183	296	321
426 ... 475		117	144	204	202	334	359
476 ... 500		117	144	205	203	324	349

Standard cylinders CDN, ISO 15552, Clean Design

Accessories

Speed of travel v as a function of tubing length l



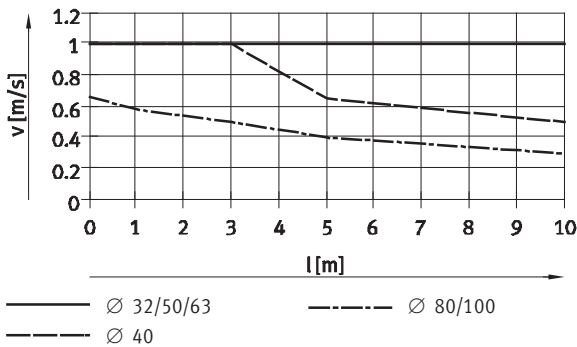
The bellows kit is a leak-free system. To prevent unwanted media from being drawn in, the supply and exhaust air must be ducted via a venting hole in the connection part

1.

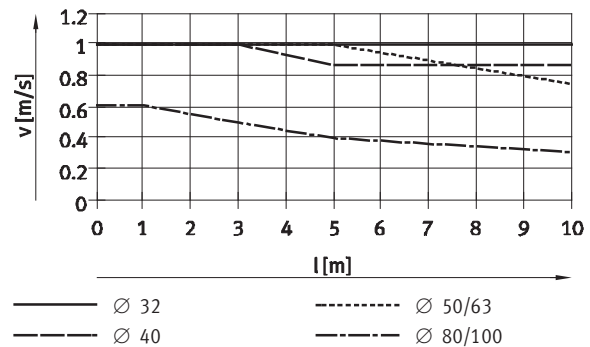
The pressure generated in the bellows kit by the positioning motion is primarily defined by the speed of

travel and the tubing length. The recommended tubing length based on the travel speed of the drive can be read from the graph.

Advancing



Retracting



Note
The push-in fittings opposite must be used for the venting hole. Silencers can be used as an alternative. This reduces the travel speed slightly.

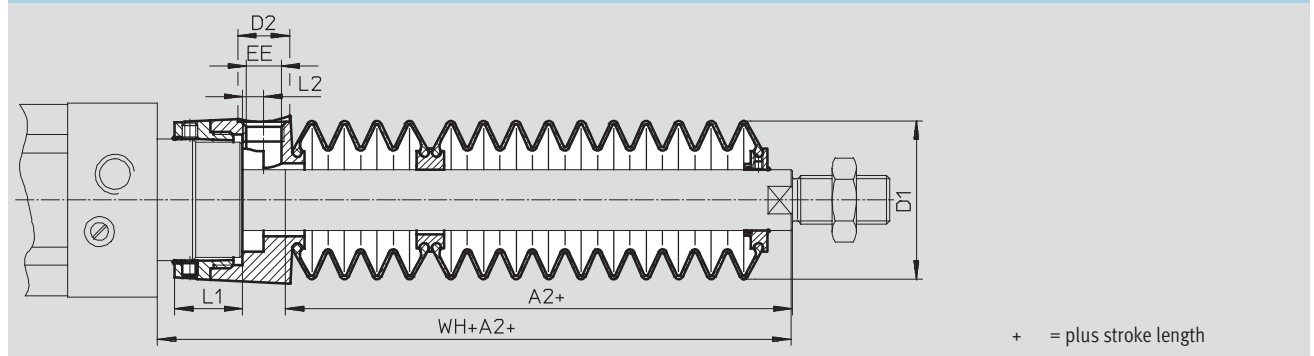
Tubing length and push-in fitting for venting hole			
Ø [mm]	Tubing O.D. [mm]	Push-in fitting	
		Part No.	Type
32, 40	8	186 109	QS-G ¹ / ₈ -8-I
		533 929	QS-F-G ¹ / ₈ -8-I
		533 880	QS-F-G ¹ / ₈ -8H
50, 63, 80, 100	12	186 350	QS-G ¹ / ₄ -12
		533 848	QS-F-G ¹ / ₄ -12
		533 884	QS-F-G ¹ / ₄ -12H

Standard cylinders CDN, ISO 15552, Clean Design

FESTO

Accessories

Dimensions Download CAD Data → www.festo.com/us/cad



Stroke [mm]	32							40						
	A2 ¹⁾	D1 max.	D2	EE	L1	L2	WH+A2	A2 ¹⁾	D1 max.	D2	EE	L1	L2	WH+A2
10 ... 50	29	38	14	G ¹ / ₈	12.9	5.4	55	28	46	14	G ¹ / ₈	16.3	5.4	58
51 ... 125	47						73	43						73
126 ... 175	61						87	56						86
176 ... 250	80						106	72						102
251 ... 300	96						122	86						116
301 ... 350	112						138	100						130
351 ... 375	114						140	101						131
376 ... 425	130						156	115						145
426 ... 475	145						171	130						160
476 ... 500	147						173	131						161

Stroke [mm]	50							63						
	A2 ¹⁾	D1 max.	D2	EE	L1	L2	WH+A2	A2 ¹⁾	D1 max.	D2	EE	L1	L2	WH+A2
10 ... 50	28	57	17	G ¹ / ₄	22.35	7	65	28	57	17	G ¹ / ₄	22.4	7	65
51 ... 125	46						83	46						83
126 ... 175	56						93	56						93
176 ... 250	73						110	73						110
251 ... 300	86						123	86						123
301 ... 350	97						134	97						134
351 ... 375	105						142	105						142
376 ... 425	116						153	116						153
426 ... 475	126						163	126						163
476 ... 500	134						171	134						171

Stroke [mm]	80							100						
	A2 ¹⁾	D1 max.	D2	EE	L1	L2	WH+A2	A2 ¹⁾	D1 max.	D2	EE	L1	L2	WH+A2
10 ... 50	25	93	17	G ¹ / ₄	28	4	71	25	93	17	G ¹ / ₄	28	4	71
51 ... 125	37						83	37						83
126 ... 175	49						95	49						95
176 ... 250	62						108	62						108
251 ... 300	74						120	74						120
301 ... 350	86						132	86						132
351 ... 375	87						133	87						133
376 ... 425	98						144	98						144
426 ... 475	110						156	110						156
476 ... 500	111						157	111						157

1) The dimension corresponds to the K8 value (extended piston rod) of the drive

Standard cylinders CDN, ISO 15552, Clean Design

Accessories

Ordering data – Bellows kit

An extended piston rod (order code K8) → 14 is absolutely necessary for using a bellows kit.

The necessary dimension for K8 as a function of piston diameter and cylinder stroke as well as the corresponding bellows kit is indicated in the table below:

Order example:

Selected standard cylinder:

CDN-32-320-PPV-AIB-SME...

The dimension for the corresponding K8 value (see table):
112 mm

Complete type code for standard cylinder:

CDN-32-320-PPV-AIB-SME...-112K8

The corresponding bellows kit:

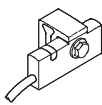
DADB-V6-32-S301-350



Cylinder data			Bellows kit		Cylinder data			Bellows kit	
∅	Stroke	Dimension for K8	Part No.	Type	∅	Stroke	Dimension for K8	Part No.	Type
[mm]	[mm]	[mm]			[mm]	[mm]	[mm]		
32	10 ... 50	29	553 271	DADB-V6-32-S10-50	40	10 ... 50	28	553 291	DADB-V6-40-S10-50
	51 ... 125	47	553 273	DADB-V6-32-S51-125		51 ... 125	43	553 293	DADB-V6-40-S51-125
	126 ... 175	61	553 275	DADB-V6-32-S126-175		126 ... 175	56	553 295	DADB-V6-40-S126-175
	176 ... 250	80	553 277	DADB-V6-32-S176-250		176 ... 250	72	553 297	DADB-V6-40-S176-250
	251 ... 300	96	553 279	DADB-V6-32-S251-300		251 ... 300	86	553 399	DADB-V6-40-S251-300
	301 ... 350	112	553 281	DADB-V6-32-S301-350		301 ... 350	100	553 301	DADB-V6-40-S301-350
	351 ... 375	114	553 283	DADB-V6-32-S351-375		351 ... 375	101	553 303	DADB-V6-40-S351-375
	376 ... 425	130	553 285	DADB-V6-32-S376-425		376 ... 425	115	553 305	DADB-V6-40-S376-425
	426 ... 475	145	553 287	DADB-V6-32-S426-475		426 ... 475	130	553 307	DADB-V6-40-S426-475
	476 ... 500	147	553 289	DADB-V6-32-S476-500		476 ... 500	131	553 309	DADB-V6-40-S476-500
50	10 ... 50	28	553 311	DADB-V6-50-S10-50	63	10 ... 50	28	553 331	DADB-V6-63-S10-50
	51 ... 125	46	553 313	DADB-V6-50-S51-125		51 ... 125	46	553 333	DADB-V6-63-S51-125
	126 ... 175	56	553 315	DADB-V6-50-S126-175		126 ... 175	56	553 335	DADB-V6-63-S126-175
	176 ... 250	73	553 317	DADB-V6-50-S176-250		176 ... 250	73	553 337	DADB-V6-63-S176-250
	251 ... 300	86	553 319	DADB-V6-50-S251-300		251 ... 300	86	553 339	DADB-V6-63-S251-300
	301 ... 350	97	553 321	DADB-V6-50-S301-350		301 ... 350	97	553 341	DADB-V6-63-S301-350
	351 ... 375	105	553 323	DADB-V6-50-S351-375		351 ... 375	105	553 343	DADB-V6-63-S351-375
	376 ... 425	116	553 325	DADB-V6-50-S376-425		376 ... 425	116	553 345	DADB-V6-63-S376-425
	426 ... 475	126	553 327	DADB-V6-50-S426-475		426 ... 475	126	553 347	DADB-V6-63-S426-475
	476 ... 500	134	553 329	DADB-V6-50-S476-500		476 ... 500	134	553 349	DADB-V6-63-S476-500
80	10 ... 50	25	553 351	DADB-V6-80-S10-50	100	10 ... 50	25	553 371	DADB-V6-100-S10-50
	51 ... 125	37	553 353	DADB-V6-80-S51-125		51 ... 125	37	553 373	DADB-V6-100-S51-125
	126 ... 175	49	553 355	DADB-V6-80-S126-175		126 ... 175	49	553 375	DADB-V6-100-S126-175
	176 ... 250	62	553 357	DADB-V6-80-S176-250		176 ... 250	62	553 377	DADB-V6-100-S176-250
	251 ... 300	74	553 359	DADB-V6-80-S251-300		251 ... 300	74	553 379	DADB-V6-100-S251-300
	301 ... 350	86	553 361	DADB-V6-80-S301-350		301 ... 350	86	553 381	DADB-V6-100-S301-350
	351 ... 375	87	553 363	DADB-V6-80-S351-375		351 ... 375	87	553 383	DADB-V6-100-S351-375
	376 ... 425	98	553 365	DADB-V6-80-S376-425		376 ... 425	98	553 385	DADB-V6-100-S376-425
	426 ... 475	110	553 367	DADB-V6-80-S426-475		426 ... 475	110	553 387	DADB-V6-100-S426-475
	476 ... 500	111	553 369	DADB-V6-80-S476-500		476 ... 500	111	553 389	DADB-V6-100-S476-500

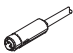

Standard cylinders CDN, ISO 15552, Clean Design

FESTO

Accessories


Ordering data – Proximity sensors for T-slot, magneto-resistive					Technical data → Internet: smt	
	Type of mounting	Switching output	Electrical connection	Cable length [m]	Part No.	Type
N/O contact						
	Is mounted on the mounting rail	PNP	Cable, 3-wire	5.0	571 339	SMT-C1-PS-24V-K-5,0-OE
			Plug M8x1, 3-pin	0.3	571 342	SMT-C1-PS-24V-K-0,3-M8D
			Plug M12x1, 3-pin	0.3	571 341	SMT-C1-PS-24V-K-0,3-M12

Ordering data – Connecting cables for SMT-C1...				Technical data → Internet: nebu	
	Electrical connection, left	Electrical connection, right	Cable length [m]	Part No.	Type
	Straight socket, M8x1, 3-pin	Cable, open end, 3-wire	2.5	541 333	NEBU-M8G3-K-2.5-LE3
			5	541 334	NEBU-M8G3-K-5-LE3
	Straight socket, M12x1, 5-pin	Cable, open end, 3-wire	2.5	541 363	NEBU-M12G5-K-2.5-LE3
			5	541 364	NEBU-M12G5-K-5-LE3
	Angled socket, M8x1, 3-pin	Cable, open end, 3-wire	2.5	541 338	NEBU-M8W3-K-2.5-LE3
			5	541 341	NEBU-M8W3-K-5-LE3
	Angled socket, M12x1, 5-pin	Cable, open end, 3-wire	2.5	541 367	NEBU-M12W5-K-2.5-LE3
			5	541 370	NEBU-M12W5-K-5-LE3

Ordering data – Connecting cables for integrated proximity sensor				Technical data → Internet: sim	
	Electrical connection, left	Electrical connection, right	Cable length [m]	Part No.	Type
	Straight socket, M8x1, 3-pin	Cable, open end, 3-wire	2.5	525 259	SIM-K-GD-2,5-CDN
			5	525 260	SIM-K-GD-5-CDN
	Angled socket, M8x1, 3-pin	Cable, open end, 3-wire	2.5	525 261	SIM-K-WD-2,5-CDN
			5	525 262	SIM-K-WD-5-CDN

Note

The connecting cables SIM... are suitable for foodstuffs, resistant to cleaning and disinfecting agents to DIN 11483.

Ordering data – Push-in fittings					Technical data → Internet: quick star				
	Connection		Material	Weight [g]	Part No.	Type	PU ³⁾		
	Thread	Tubing O.D.							
With external hex									
	G ¹ / ₈	4	Brass, nickel-plated and chrome-plated	8	193 408	QS-F-G ¹ / ₈ -4 ¹⁾	10		
		6		12				193 409	QS-F-G ¹ / ₈ -6 ¹⁾
				8					
	G ¹ / ₄	6		16	193 411	QS-F-G ¹ / ₄ -6 ¹⁾			
				8				16	193 412
		10		22				193 413	QS-F-G ¹ / ₄ -10 ¹⁾
	G ³ / ₈	8		20	193 414	QS-F-G ³ / ₈ -8 ¹⁾			
				10				30	193 415
		12		38				193 487	QS-F-G ³ / ₈ -12 ¹⁾
	G ¹ / ₂	10		42	193 416	QS-F-G ¹ / ₂ -10 ¹⁾			
				12				46	193 417



1) With sealing ring

3) Packaging unit quantity



Standard cylinders CDN, ISO 15552, Clean Design

FESTO

Accessories

Ordering data – Push-in fittings				Technical data → Internet: quick star						
	Connection		Material	Weight [g]	Part No.	Type	PU ³⁾			
	Thread	Tubing O.D.								
With external hex										
	R1/8	6	Stainless steel	9.9	162 862	CRQS-1/8-6 ²⁾	1			
		8		13	162 863	CRQS-1/8-8 ²⁾				
	R1/4	8		18	162 864	CRQS-1/4-8 ²⁾				
		10		22	162 865	CRQS-1/4-10 ²⁾				
	R3/8	10		29	162 866	CRQS-3/8-10 ²⁾				
		12		38	162 867	CRQS-3/8-12 ²⁾				
	R1/2	12		55	162 868	CRQS-1/2-12 ²⁾				
		16		59	162 869	CRQS-1/2-16 ²⁾				
	With internal hex									
		G1/8		4	Brass, nickel-plated and chrome-plated	8.6		533 927	QS-F-G1/8-4-I ¹⁾	10
6			13.4	533 928		QS-F-G1/8-6-I ¹⁾				
8			13.1	533 929		QS-F-G1/8-8-I ¹⁾				
G1/4		8	14.6	533 930		QS-F-G1/4-8-I ¹⁾				
		10	21	533 931		QS-F-G1/4-10-I ¹⁾				
G3/8		12	34.3	533 932		QS-F-G3/8-12-I ¹⁾				


- 1) With sealing ring
- 2) With PTFE coating
- 3) Packaging unit quantity


Ordering data – Push-in L-fittings				Technical data → Internet: crqsl			
	Connection		Material	Weight [g]	Part No.	Type	PU ³⁾
	Thread	Tubing O.D.					
With external hex							
	G1/8	4	Brass, nickel-plated and chrome-plated	17.6	193 418	QSL-F-G1/8-4 ¹⁾	10
		6		16	193 419	QSL-F-G1/8-6 ¹⁾	
		8		20	193 420	QSL-F-G1/8-8 ¹⁾	
	G1/4	6		24.5	193 421	QSL-F-G1/4-6 ¹⁾	
		8		24	193 422	QSL-F-G1/4-8 ¹⁾	
		10		34.6	193 423	QSL-F-G1/4-10 ¹⁾	
		12		49	533 853	QSL-F-G1/4-12 ¹⁾	
	G3/8	8		34.2	193 424	QSL-F-G3/8-8 ¹⁾	
		10		36.6	193 425	QSL-F-G3/8-10 ¹⁾	
		12		51.1	197 486	QSL-F-G3/8-12 ¹⁾	
	G1/2	10		66	193 426	QSL-F-G1/2-10 ¹⁾	
		12		70	193 427	QSL-F-G1/2-12 ¹⁾	
	With internal hex						
	R1/8	6	Stainless steel	20	162 872	CRQSL-1/8-6 ²⁾	1
		8		27	162 873	CRQSL-1/8-8 ²⁾	
	R1/4	8		31	162 874	CRQSL-1/4-8 ²⁾	
		10		46	162 875	CRQSL-1/4-10 ²⁾	
	R3/8	10		52	162 876	CRQSL-3/8-10 ²⁾	
		12		69	162 877	CRQSL-3/8-12 ²⁾	
	R1/2	12		89	162 878	CRQSL-1/2-12 ²⁾	
		16		105	162 879	CRQSL-1/2-16 ²⁾	


- 1) With sealing ring
- 2) With PTFE coating
- 3) Packaging unit quantity

Standard cylinders CDN, ISO 15552, Clean Design

Accessories


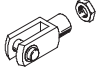
Ordering data – Plastic tubing, standard O.D.		Technical data → Internet: tubing	
		Type	
	Good resistance to chemicals and hydrolysis	PLN	
	Pneumatic tubing with resistance to high temperatures and chemicals	PFAN	
	Approved for use in the food industry and hydrolysis-resistant	PUN-H	

Ordering data – One-way flow control valves				Technical data → Internet: crgla		
	Connection		Material	Weight [g]	Part No.	Type
	Thread	For push-in fitting				
	G1/8	CRQS/CRQSL/CRQST,	Electrolytically polished special steel casting	44	161 404	CRGRLA-1/8-B
	G1/4	Quick Star		83	161 405	CRGRLA-1/4-B
	G3/8			150	161 406	CRGRLA-3/8-B
	G1/2			315	161 407	CRGRLA-1/2-B

Ordering data – Blanking screws, corrosion-resistant							
	For Ø	Material	CRC ¹⁾	Weight [g]	Part No.	Type	PU ³⁾
	32, 40	High-alloy steel	3	3	650 120	CR-M6x12-A2-70:6KT	4
	50, 63		3	6	650 121	DAMD-PS-M8-16-R1	
	80, 100		3	13	650 122	CR-M10x16-A2-70:6KT	

1) Corrosion resistance class 3 according to Festo standard 940 070

Components subject to high corrosion stress. External visible parts in direct contact with industrial atmospheres or media such as solvents and cleaning agents, with a predominantly functional requirement for the surface.

Ordering data – Corrosion and acid-resistant piston rod attachments				Technical data → Internet: crsg			
	For Ø	Part No.	Type		For Ø	Part No.	Type
Rod eye CRSGS				Rod clevis CRSG			
	32	195 582	CRSGS-M10x1,25		32	13 569	CRSG-M10x1,25
	40	195 583	CRSGS-M12x1,25		40	13 570	CRSG-M12x1,25
	50, 63	195 584	CRSGS-M16x1,5		50, 63	13 571	CRSG-M16x1,5
	80, 100	195 585	CRSGS-M20x1,5		80, 100	13 572	CRSG-M20x1,5

Product Range and Company Overview

A Complete Suite of Automation Services

Our experienced engineers provide complete support at every stage of your development process, including: conceptualization, analysis, engineering, design, assembly, documentation, validation, and production.



Custom Automation Components
Complete custom engineered solutions



Custom Control Cabinets
Comprehensive engineering support and on-site services



Complete Systems
Shipment, stocking and storage services

The Broadest Range of Automation Components

With a comprehensive line of more than 30,000 automation components, Festo is capable of solving the most complex automation requirements.



Electromechanical
Electromechanical actuators, motors, controllers & drives



Pneumatics
Pneumatic linear and rotary actuators, valves, and air supply



PLCs and I/O Devices
PLC's, operator interfaces, sensors and I/O devices

Supporting Advanced Automation... As No One Else Can!

Festo is a leading global manufacturer of pneumatic and electromechanical systems, components and controls for industrial automation, with more than 12,000 employees in 56 national headquarters serving more than 180 countries. For more than 80 years, Festo has continuously elevated the state of manufacturing with innovations and optimized motion control solutions that deliver higher performing, more profitable automated manufacturing and processing equipment. Our dedication to the advancement of automation extends beyond technology to the education and development of current and future automation and robotics designers with simulation tools, teaching programs, and on-site services.

Quality Assurance, ISO 9001 and ISO 14001 Certifications

Festo Corporation is committed to supply all Festo products and services that will meet or exceed our customers' requirements in product quality, delivery, customer service and satisfaction.

To meet this commitment, we strive to ensure a consistent, integrated, and systematic approach to management that will meet or exceed the requirements of the ISO 9001 standard for Quality Management and the ISO 14001 standard for Environmental Management.



© Copyright 2008, Festo Corporation. While every effort is made to ensure that all dimensions and specifications are correct, Festo cannot guarantee that publications are completely free of any error, in particular typing or printing errors. Accordingly, Festo cannot be held responsible for the same. For Liability and Warranty conditions, refer to our "Terms and Conditions of Sale", available from your local Festo office. All rights reserved. No part of this publication may be reproduced, distributed, or transmitted in any form or by any means, electronic, mechanical, photocopying or otherwise, without the prior written permission of Festo. All technical data subject to change according to technical update.



Printed on recycled paper at New Horizon Graphic, Inc., FSC certified as an environmentally friendly printing plant.

Festo North America

Festo Regional Contact Center

5300 Explorer Drive
Mississauga, Ontario L4W 5G4
Canada

USA Customers:

For ordering assistance,

Call: 1.800.99.FESTO (1.800.993.3786)

Fax: 1.800.96.FESTO (1.800.963.3786)

Email: customer.service@us.festo.com

For technical support,

Call: 1.866.GO.FESTO (1.866.463.3786)

Fax: 1.800.96.FESTO (1.800.963.3786)

Email: product.support@us.festo.com

Canadian Customers:

Call: 1.877.GO.FESTO (1.877.463.3786)

Fax: 1.877.FX.FESTO (1.877.393.3786)

Email: festo.canada@ca.festo.com

USA Headquarters

Festo Corporation
395 Moreland Road
P.O. Box 18023
Hauppauge, NY 11788, USA
www.festo.com/us

USA Sales Offices

Appleton

North 922 Tower View Drive, Suite N
Greenville, WI 54942, USA

Boston

120 Presidential Way, Suite 330
Woburn, MA 01801, USA

Chicago

1441 East Business Center Drive
Mt. Prospect, IL 60056, USA

Dallas

1825 Lakeway Drive, Suite 600
Lewisville, TX 75057, USA

Detroit – Automotive Engineering Center

2601 Cambridge Court, Suite 320
Auburn Hills, MI 48326, USA

New York

395 Moreland Road
Hauppauge, NY 11788, USA

Silicon Valley

4935 Southfront Road, Suite F
Livermore, CA 94550, USA

United States



USA Headquarters, East: Festo Corp., 395 Moreland Road, Hauppauge, NY 11788

Phone: 1.631.435.0800; Fax: 1.631.435.8026;

Email: info@festo-usa.com

www.festo.com/us

Canada



Headquarters: Festo Inc., 5300 Explorer Drive, Mississauga, Ontario L4W 5G4

Phone: 1.905.624.9000; Fax: 1.905.624.9001;

Email: festo.canada@ca.festo.com

www.festo.ca

Mexico



Headquarters: Festo Pneumatic, S.A., Av. Ceylán 3, Col. Tequesquahuac,
54020 Tlalneantla, Edo. de México

Phone: 011 52 [55] 53 21 66 00; Fax: 011 52 [55] 53 21 66 65;

Email: festo.mexico@mx.festo.com

www.festo.com/mx

Central USA

Festo Corporation
1441 East Business
Center Drive
Mt. Prospect, IL 60056, USA
Phone: 1.847.759.2600
Fax: 1.847.768.9480



Western USA

Festo Corporation
4935 Southfront Road,
Suite F
Livermore, CA 94550, USA
Phone: 1.925.371.1099
Fax: 1.925.245.1286



Festo Worldwide

Argentina Australia Austria Belarus Belgium Brazil Bulgaria Canada Chile China Colombia Croatia Czech Republic Denmark
Estonia Finland France Germany Great Britain Greece Hong Kong Hungary India Indonesia Iran Ireland Israel Italy Japan Latvia
Lithuania Malaysia Mexico Netherlands New Zealand Norway Peru Philippines Poland Romania Russia Serbia Singapore
Slovakia Slovenia South Africa South Korea Spain Sweden Switzerland Taiwan Thailand Turkey Ukraine United States Venezuela

www.festo.com