

Power supply units CACN

FESTO



Type codes

001	Series
CACN	Power supply unit

002	Nominal input voltage
3A	230 V AC/50-60Hz
11A	400 V AC/50-60Hz

003	Nominal output voltage
1	24 V DC
7	48 V DC

004	Nominal output current
5	5 amperes
10	10 amperes
20	20 amperes

005	Generation
G2	2nd generation

Data sheet

General technical data for 24 V DC power supply units			
Nominal output current	5 A	10 A	20 A
Nominal output voltage DC	24 V		
Input voltage range AC	100 ... 240 V		
Input current	1.1 – 2.2 A	1.3 – 3.1 A	2.4 – 5.6 A
Mains frequency	45 ... 65 Hz		
Power failure buffering	100 ms	20 ms	15 ms
Primary supply	Single-phase		
Type of mounting	With H-rail		
Mounting position	Free convection		
Product weight	450 g	1168 g	1669 g

General technical data for 48 V DC power supply units			
Nominal output current	5 A	10 A	20 A
Nominal output voltage DC	48 V		
Input voltage range AC	100 ... 240 V	400 ... 500 V	
Input current	1.2 – 2.9 A	2.4 – 5.6 A	1.7 – 2.1 A
Mains frequency	45 ... 65 Hz		
Power failure buffering	15 ms	25 ms	
Primary supply	Single-phase	Three-phase	
Type of mounting	With H-rail		
Mounting position	Free convection		
Product weight	1120 g	1603 g	2500 g

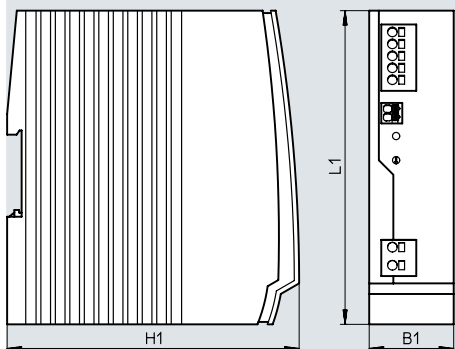
Operating and environmental conditions	
Type ID code	CACN
Ambient temperature	-25 ... 70°C
Storage temperature	-40 ... 85°C
Degree of protection	IP20
Relative humidity	95%
CE marking (see declaration of conformity)	To EU EMC Directive; to EU Low Voltage Directive
Certification	c UL us Listed (OL)
Note on materials	RoHS-compliant
PWIS conformity	VDMA24364 zone III

Data sheet

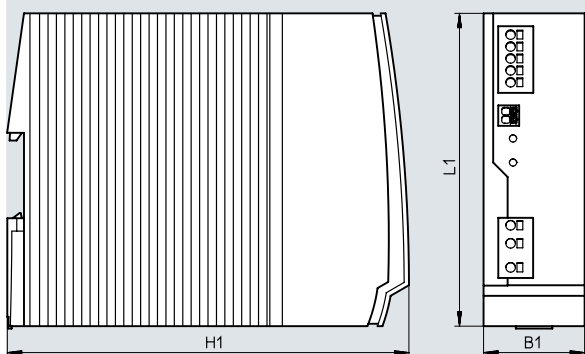
Dimensions

Download CAD data → www.festo.com

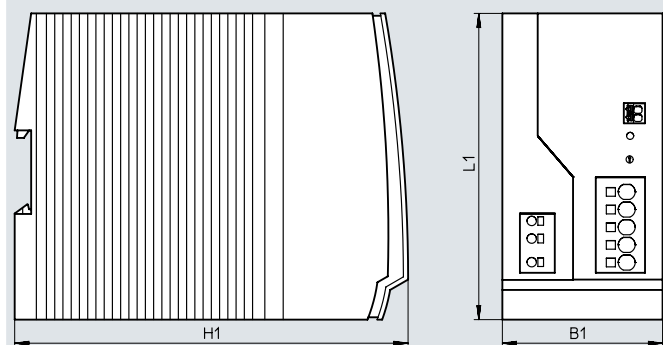
CACN-3A-1-5



CACN-3A-1-10 / CACN-3A-7-5



CACN-3A-1-20 / CACN-3A-7-10



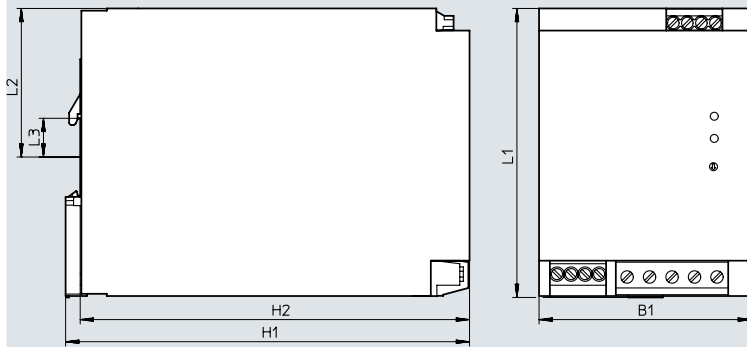
	B1	H1	L1
CACN-3A-1-5	35	121	130
CACN-3A-1-10	42	167	130
CACN-3A-1-20	68	167	130
CACN-3A-7-5	42	167	130
CACN-3A-7-10	68	167	130

Data sheet

Dimensions

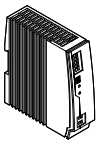
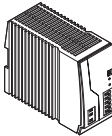
Download CAD data → www.festo.com

CACN-11A-7-20



	B1	H1	H2	L1	L2	L3
CACN-11A-7-20	96	182.6	176	130.7	67.2	17.5

Ordering data

	Nominal output voltage [V DC]	Nominal output current [A]	Part no.	Type
	24	5	8149580	CACN-3A-1-5-G2
		10	8149581	CACN-3A-1-10-G2
		20	8149582	CACN-3A-1-20-G2
	48	5	8149583	CACN-3A-7-5-G2
		10	8149584	CACN-3A-7-10-G2
		20	8149585	CACN-11A-7-20-G2

Festo - Your Partner in Automation



1 Festo Inc.
5300 Explorer Drive
Mississauga, ON L4W 5G4
Canada

Festo Customer Interaction Center
Tel: 1 877 463 3786
Fax: 1 877 393 3786
Email: customer.service.ca@festo.com

2 Festo Pneumatic
Av. Ceylán 3,
Col. Tequesquináhuac
54020 Tlalnepantla,
Estado de México

Multinational Contact Center
01 800 337 8669
ventas.mexico@festo.com

3 Festo Corporation
1377 Motor Parkway
Suite 310
Islandia, NY 11749

Festo Customer Interaction Center
1 800 993 3786
1 800 963 3786
customer.service.us@festo.com

4 Regional Service Center
7777 Columbia Road
Mason, OH 45040

Connect with us



www.festo.com/socialmedia



www.festo.com

Subject to change