

Push-in fittings QB, Quick Basic, Hybrid Series

FESTO



Push-in Fittings QB, Quick Basic, Hybrid Series

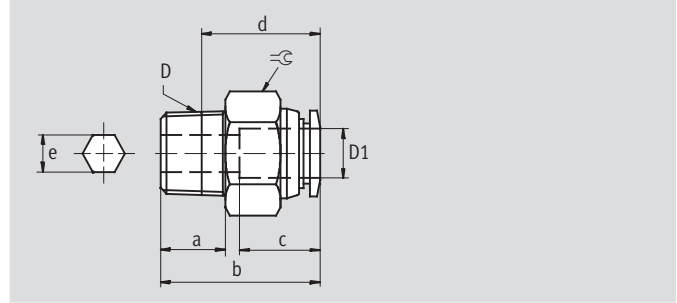


Push-in fitting QB

M5 threads without internal hex, with inch tubing connection

R threads with internal hex, with inch tubing connection

Easy adaptation of inch tubing to metric component



Dimensions and ordering data											
Threaded Connection D	Nominal Ø [in]	For Inch Tubing O.D. D1	Weight [oz / g]	Dimensions [in]						Part No.	Type
				a	b	c	d	e	≡ (≡ size in mm)		
M5	0.079	1/8	0.124 / 3.5	0.157	0.669	0.433	-	-	8	533209	QBM-M5-1/8-U-M
		5/32	0.346 / 9.8	0.157	0.843	0.638	-	-	12	533210	QB-M5-5/32-U-M
		3/16	0.314 / 8.9	0.157	0.866	0.661	-	-	12	533211	QB-M5-3/16-U-M
		1/4	0.423 / 12.0	0.157	0.913	0.681	-	-	13	533212	QB-M5-1/4-U-M
R1/8	0.079	1/8	0.279 / 7.9	0.315	0.705	0.433	0.508	-	10	533213	QBM-1/8-1/8-U-M
		5/32	0.289 / 8.2	0.315	0.748	0.638	0.551	0.118	12	533214	QB-1/8-5/32-U-M
		3/16	0.381 / 10.8	0.315	0.890	0.661	0.693	0.118	12	533215	QB-1/8-3/16-U-M
		1/4	0.374 / 10.6	0.315	0.917	0.681	0.720	0.157	13	533216	QB-1/8-1/4-U-M
		5/16	0.519 / 14.7	0.315	1.091	0.717	0.894	0.197	14	533217	QB-1/8-5/16-U-M
R1/4	0.122	3/16	0.571 / 16.2	0.394	0.890	0.661	0.634	0.118	14	533218	QB-1/4-3/16-U-M
		1/4	0.494 / 14.0	0.394	0.894	0.681	0.638	0.157	14	533219	QB-1/4-1/4-U-M
		5/16	0.515 / 14.6	0.394	1.044	0.717	0.748	0.236	14	533220	QB-1/4-5/16-U-M
		3/8	0.829 / 23.5	0.394	1.205	0.783	0.949	0.236	17	533221	QB-1/4-3/8-U-M
R3/8	0.165	1/4	0.935 / 26.5	0.433	0.933	0.681	0.657	0.157	17	533222	QB-3/8-1/4-U-M
		5/16	0.804 / 22.8	0.433	0.945	0.717	0.669	0.236	17	533223	QB-3/8-5/16-U-M
		3/8	0.667 / 18.9	0.433	0.976	0.783	0.701	0.315	17	533224	QB-3/8-3/8-U-M
		1/2	1.273 / 36.1	0.433	1.236	0.906	0.961	0.394	22	533225	QB-3/8-1/2-U-M
R1/2	0.331	3/8	1.637 / 46.4	0.551	1.134	0.783	0.780	0.315	22	533226	QB-1/2-3/8-U-M
		1/2	1.560 / 44.2	0.551	1.236	0.906	0.862	0.394	22	533227	QB-1/2-1/2-U-M

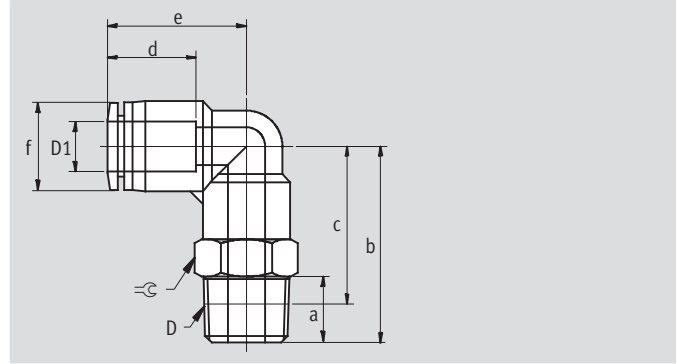
Push-in Fittings QB, Quick Basic, Hybrid Series



Push-in L-fitting QBL

Male thread
with external hex
M5 or R threads with
inch tubing connection

Easy adaptation of inch
tubing to metric components



Dimensions and ordering data												
Threaded Connection D	Nominal Ø [in]	For Inch Tubing O.D. D1	Weight oz / g	Dimensions [in]							Part No.	Type
				a	b	c	d	e	f	≅ size in mm		
M5	0.098	1/8	0.145 / 4.1	0.157	0.669	–	0.433	0.528	0.303	8	533228	QBML-M5-1/8-U-M
	0.098	5/32	0.286 / 8.1	0.157	0.843	–	0.638	0.732	0.413	10	533229	QBL-M5-5/32-U-M
	0.118	3/16	0.310 / 8.8	0.157	0.921	–	0.661	0.752	0.453	10	533230	QBL-M5-3/16-U-M
	0.098	1/4	0.476 / 13.5	0.157	1.020	–	0.681	0.803	0.512	12	533231	QBL-M5-1/4-U-M
R1/8	0.098	1/8	0.254 / 7.2	0.315	0.760	0.563	0.433	0.528	0.303	10	533232	QBML-1/8-1/8-U-M
	0.118	5/32	0.332 / 9.4	0.315	0.965	0.768	0.638	0.732	0.413	10	533233	QBL-1/8-5/32-U-M
	0.118	3/16	0.356 / 10.1	0.315	0.965	0.768	0.661	0.752	0.453	10	533234	QBL-1/8-3/16-U-M
	0.177	1/4	0.519 / 14.7	0.315	1.055	0.858	0.681	0.803	0.512	12	533235	QBL-1/8-1/4-U-M
	0.236	5/16	0.603 / 17.1	0.315	1.098	0.902	0.717	0.878	0.571	14	533236	QBL-1/8-5/16-U-M
R1/4	0.118	3/16	0.557 / 15.8	0.394	1.043	0.787	0.661	0.752	0.453	14	533237	QBL-1/4-3/16-U-M
	0.177	1/4	0.681 / 19.3	0.394	1.181	0.925	0.681	0.803	0.512	14	533238	QBL-1/4-1/4-U-M
	0.236	5/16	0.723 / 20.5	0.394	1.217	0.961	0.717	0.878	0.571	14	533239	QBL-1/4-5/16-U-M
	0.315	3/8	1.086 / 30.8	0.394	1.240	0.981	0.783	0.941	0.689	17	533240	QBL-1/4-3/8-U-M
R3/8	0.177	1/4	0.945 / 26.8	0.433	1.220	0.945	0.681	0.803	0.512	17	533241	QBL-3/8-1/4-U-M
	0.236	5/16	0.998 / 28.3	0.433	1.256	0.980	0.717	0.878	0.571	17	533242	QBL-3/8-5/16-U-M
	0.315	3/8	1.210 / 34.3	0.433	1.280	1.004	0.783	0.941	0.689	17	533243	QBL-3/8-3/8-U-M
	0.394	1/2	1.475 / 41.8	0.433	1.417	1.142	0.906	1.122	0.827	19	533244	QBL-3/8-1/2-U-M
R1/2	0.315	3/8	1.848 / 52.4	0.551	1.398	1.043	0.783	0.941	0.689	22	533245	QBL-1/2-3/8-U-M
	0.394	1/2	1.873 / 53.1	0.551	1.535	1.181	0.906	1.122	0.827	22	533246	QBL-1/2-1/2-U-M

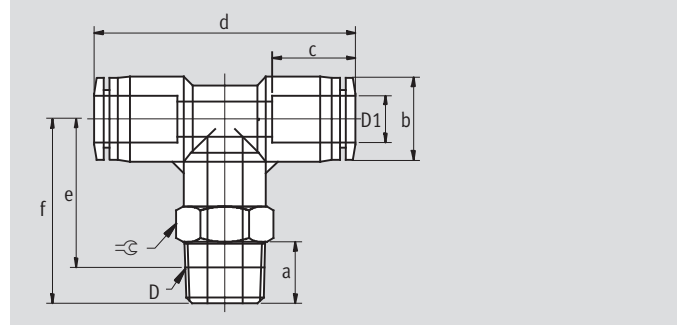
Push-in Fittings QB, Quick Basic, Hybrid Series



Push-in T-fitting QBT

Male thread
with external hex
M5 or R threads with
inch tubing connection

Easy adaptation of inch
tubing to metric components



Dimensions and ordering data											Part No.	Type	
Threaded Connection D	Nominal Ø [in]	For Inch Tubing O.D. D1	Weight oz / g	Dimensions [in]									≅
				a	b	c	d	e	f	≅			
M5	0.098	1/8	0.173 / 4.9	0.157	0.303	0.433	1.055	-	0.669	8	533247	QBMT-M5-1/8-U-M	
	0.098	5/32	0.363 / 10.3	0.157	0.413	0.638	1.469	-	0.843	10	533248	QBT-M5-5/32-U-M	
	0.118	3/16	0.420 / 11.9	0.157	0.453	0.661	1.504	-	0.921	10	533249	QBT-M5-3/16-U-M	
	0.098	1/4	0.579 / 16.4	0.157	0.512	0.681	1.606	-	1.020	12	533250	QBT-M5-1/4-U-M	
R1/8	0.098	1/8	0.289 / 8.2	0.315	0.303	0.433	1.055	0.563	0.760	10	533251	QBMT-1/8-1/8-U-M	
	0.118	5/32	0.399 / 11.3	0.315	0.413	0.638	1.469	0.768	0.965	10	533252	QBT-1/8-5/32-U-M	
	0.118	3/16	0.452 / 12.8	0.315	0.453	0.661	1.504	0.768	0.965	10	533253	QBT-1/8-3/16-U-M	
	0.177	1/4	0.635 / 18.0	0.315	0.512	0.681	1.606	0.858	1.055	12	533254	QBT-1/8-1/4-U-M	
	0.236	5/16	0.723 / 20.5	0.315	0.571	0.717	1.756	0.902	1.098	14	533255	QBT-1/8-5/16-U-M	
R1/4	0.118	3/16	0.646 / 18.3	0.394	0.453	0.661	1.504	0.787	1.043	14	533256	QBT-1/4-3/16-U-M	
	0.177	1/4	0.794 / 22.5	0.394	0.512	0.681	1.606	0.925	1.181	14	533257	QBT-1/4-1/4-U-M	
	0.236	5/16	0.843 / 23.9	0.394	0.571	0.717	1.756	0.961	1.217	14	533258	QBT-1/4-5/16-U-M	
	0.315	3/8	1.302 / 36.9	0.394	0.689	0.783	1.878	0.984	1.240	17	533259	QBT-1/4-3/8-U-M	
R3/8	0.177	1/4	1.062 / 30.1	0.433	0.512	0.681	1.606	0.945	1.220	17	533260	QBT-3/8-1/4-U-M	
	0.236	5/16	1.122 / 31.8	0.433	0.571	0.717	1.756	0.980	1.256	17	533261	QBT-3/8-5/16-U-M	
	0.315	3/8	1.422 / 40.3	0.433	0.689	0.783	1.878	1.004	1.280	17	533262	QBT-3/8-3/8-U-M	
	0.394	1/2	1.781 / 50.5	0.433	0.827	0.906	2.224	1.142	1.417	19	533263	QBT-3/8-1/2-U-M	
R1/2	0.315	3/8	2.060 / 58.4	0.551	0.689	0.783	1.878	1.043	1.398	22	533264	QBT-1/2-3/8-U-M	
	0.394	1/2	2.184 / 61.9	0.551	0.827	0.906	2.224	1.181	1.535	22	533265	QBT-1/2-1/2-U-M	

Festo - Your Partner in Automation



1 Festo Inc.
5300 Explorer Drive
Mississauga, ON L4W 5G4
Canada

Festo Customer Interaction Center
Tel: 1 877 463 3786
Fax: 1 877 393 3786
Email: customer.service.ca@festo.com



2 Festo Pneumatic
Av. Ceylán 3,
Col. Tequesquináhuac
54020 Tlalnepantla,
Estado de México

Multinational Contact Center
01 800 337 8669
ventas.mexico@festo.com



3 Festo Corporation
1377 Motor Parkway
Suite 310
Islandia, NY 11749

Festo Customer Interaction Center
1 800 993 3786
1 800 963 3786
customer.service.us@festo.com



4 Regional Service Center
7777 Columbia Road
Mason, OH 45040

Connect with us



www.festo.com/socialmedia



www.festo.com

Subject to change