

Air cushion plates ATBT

FESTO



Air cushion plates ATBT

Key features

FESTO

At a glance

Principle

- The air cushion plate uses a porous, air-permeable material. When the plate is supplied with compressed air, a uniform air flow is produced which enables flat workpieces to be carried and moved without contact
- The air cushion plate consists of an aluminium base and a porous plate

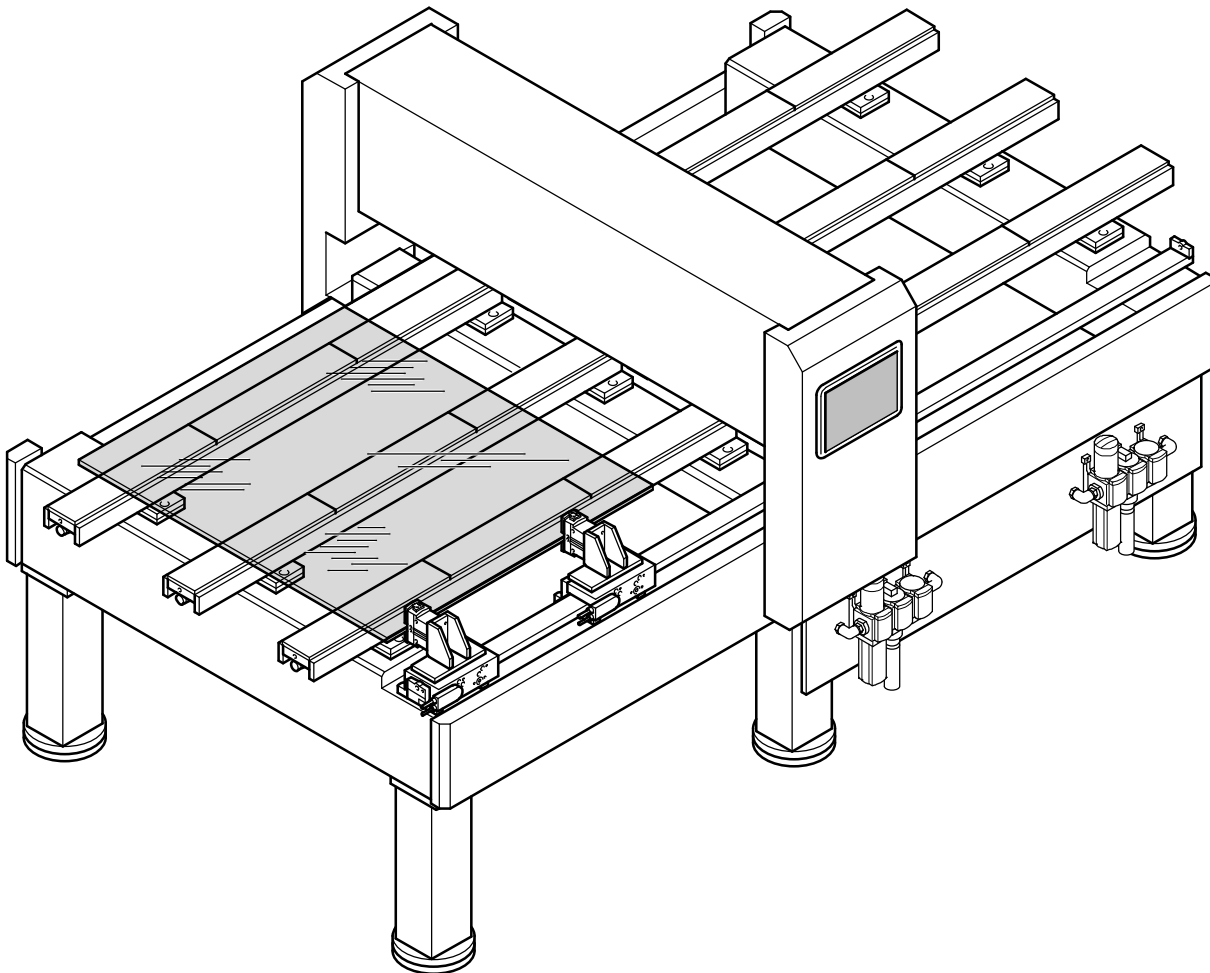
Advantages

- It works without contact by means of an air cushion, without consuming excessive amounts of compressed air
- Uniform air flow ensures maximum precision and allows for short cycle times

Applications

- Ideally suited to almost any task in the field of transporting and conveying flat products
- For loading and unloading
- For intermediate buffers
- For lifting and centring, for holding and retaining objects using vacuum

Sample application



Air cushion plates ATBT

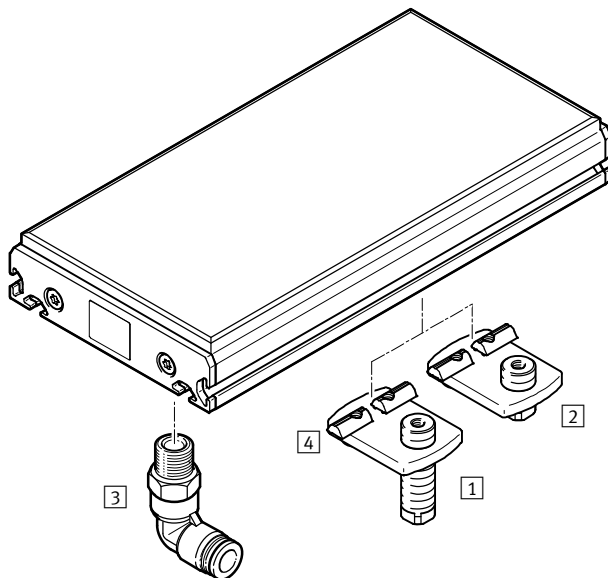
Type codes and peripherals overview

FESTO

Type codes

		ATBT	–	100	–	250
Type						
ATBT	Air cushion plate					
Size						
Length [mm]						

Peripherals overview



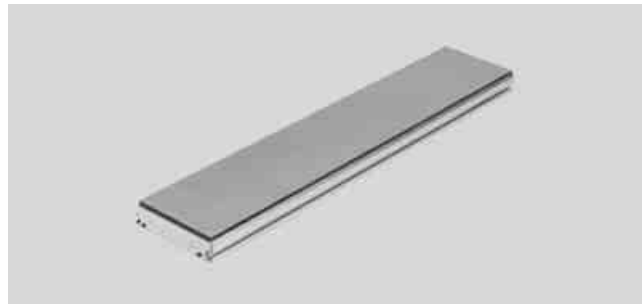
Mounting components and accessories

	Brief description	→ Page/Internet
1	Adjusting kit ATAB-B-1 Adjustable installation height 35 mm	8
2	Adjusting kit ATAB-B-2 Adjustable installation height 15 mm	8
3	Push-in L-fitting QSL With different nominal sizes for adjusting the flow rate. For connecting compressed air tubing with standard O.D.	9
4	Slot nut HMBN For mounting the air cushion plates via the mounting slots	8

Air cushion plates ATBT

Technical data

- Length
100 ... 1500 mm



General technical data		
Size		100
Length	[mm]	200; 250; 300; 500; 1500 100 ... 1500 ¹⁾
Pneumatic connection		G1/4
Max. surface load during operation	[kg/m ²]	400
Repetition accuracy of the cushion height	[µm]	±10
Flatness		
With adjustable mounting kit	[µm]	60
Direct mounting	[µm]	110
Shore hardness		D 80 ±5
Mounting position		Horizontal
Type of mounting		Via slot nuts
Product weight	[kg/m]	3.6

1) Can be ordered in 10 mm increments.

Operating and environmental conditions		
Operating pressure ¹⁾	[bar]	≤ 2
Operating medium		Compressed air in accordance with ISO 8573-1:2010 [1:4:1]
Note about the operating/pilot medium		Lubricated operation not possible
Ambient temperature	[°C]	+10 ... +50
Temperature of medium	[°C]	+10 ... +50
Storage temperature	[°C]	+5 ... +60
Corrosion resistance class CRC ²⁾		2

1) Typical operating pressure 300 ... 500 mbar

2) Corrosion resistance class CRC 2 to Festo standard FN 940070

Moderate corrosion stress. Indoor applications in which condensation may occur. External visible parts with primarily decorative requirements for the surface and which are in direct contact with the ambient atmosphere typical for industrial applications.

Materials	
Porous plate	Chemically bonded aluminum hydroxide
Profile	Colourless anodised wrought aluminium alloy
End cap	Colourless anodised wrought aluminium alloy
Screws	Galvanised steel
Note on materials	RoHS-compliant

- Note
Only suitable for dry workpieces.

Air cushion plates ATBT

Technical data

Adjusting the cushion height

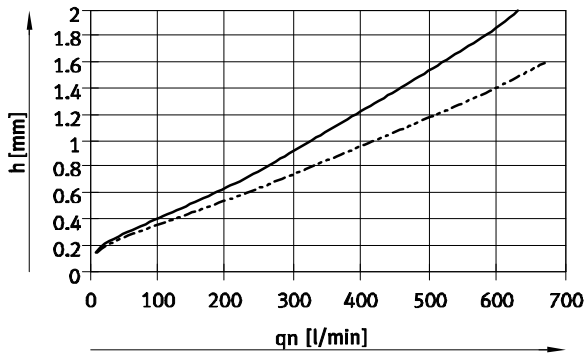
The air cushion plate generates an air cushion between the workpiece and plate surface when compressed air is applied to it.

The air cushion is dependent on the weight of the workpiece, i.e. the surface load on the air cushion plate and the flow rate.

Depending on the push-in L-fitting QSL used (→ 9), the flow rate can be adjusted via the supply pressure.

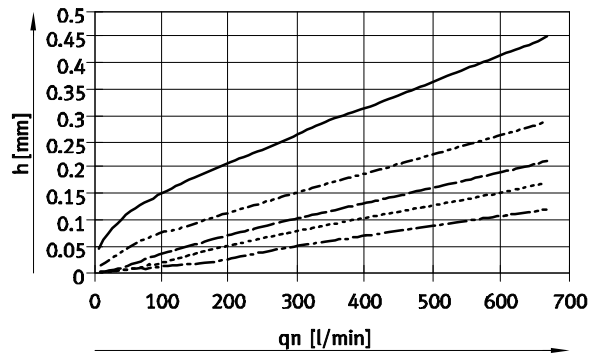
Cushion height h as a function of flow rate q_n

For typical surface loads



— 0.5 g/cm²
- - - 0.9 g/cm²

For high surface loads

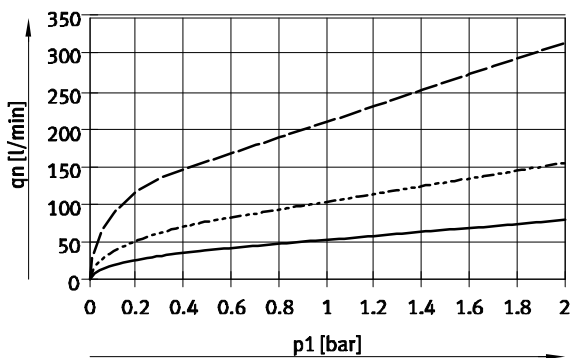


— 9 g/cm²
- - - 16 g/cm²
- - - 21 g/cm²
- - - 30 g/cm²
- - - 45 g/cm²

Note

The altitudes were determined using a sample structure with 2x ATBT-100-500. The values for other combinations may deviate.

Flow rate q_n of the push-in L-fitting as a function of operating pressure p_1



— Nominal size 1.8 mm
- - - Nominal size 2.5 mm
- · - · Nominal size 3.5 mm

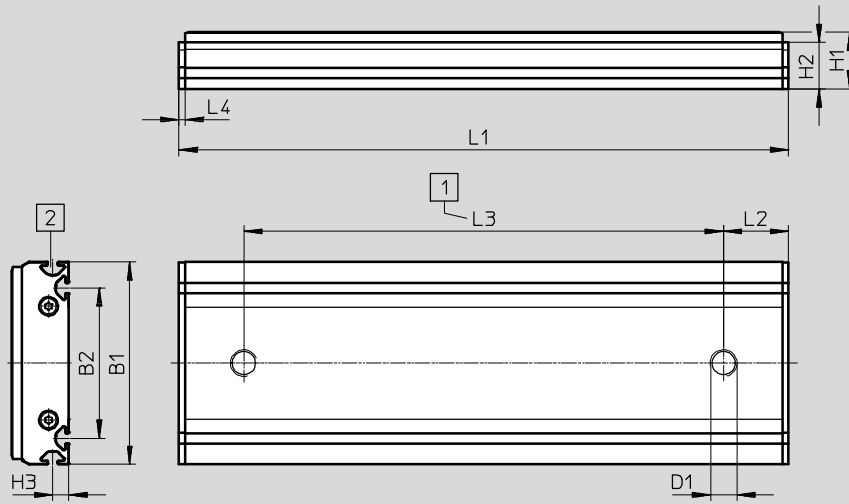
Air cushion plates ATBT

Technical data

FESTO

Dimensions

Download CAD data → www.festo.com



- 1 Above a length of L1 = 760 mm with two supply ports
- 2 Mounting slot

Length	B1	B2	D1	H1	H2	H3
[mm]	-0.5	±0.2		±0.05		±0.2
200	100	74	G $\frac{1}{4}$	28	22.9	8
250						
300						
500						
1500						
100 ... 1500						

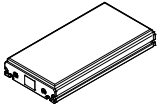
Length	L1	L2	L3	L4
[mm]	±0.5	±0.35	±0.5	
200	200	32	-	3
250	250	32	-	
300	300	32	-	
500	500	32	-	
1500	1,500	375	750	
100 ... 1500	In 10 mm increments	32/0.25 x L1 ¹⁾	0.5 x L1 ²⁾	

1) Length L1 ≤ 750 mm/length L1 ≥ 760 mm

2) Length L1 ≥ 760 mm

Air cushion plates ATBT

Ordering data – Modular products


Ordering data			
Type	Length [mm]	Part No.	Type
	200	2109868	ATBT-100-200
	250	2109869	ATBT-100-250
	300	2109870	ATBT-100-300
	500	2109871	ATBT-100-500
	1500	2109872	ATBT-100-1500

Ordering data – Modular products					
Size	100	Condi-tions	Code		Enter code
M Module No.	8021855				
Function	Air cushion plate		ATBT		ATBT
Size [mm]	100		-...		
Length [mm]	100 ... 1500	1	-...		

1 Can be ordered in 10 mm increments

Transfer order code

ATBT - -

 - Note
Minimum order quantity 10 items

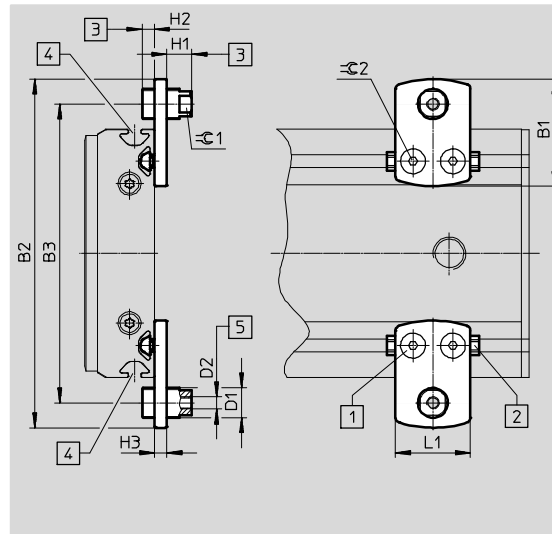
Air cushion plates ATBT

Accessories



Adjusting kit
ATAB-B-...

Material:
Nickel-plated steel



Note

- Mounting of the air cushion plate:
- Uniformly at 3 points at least
 - Symmetrically (left/right) at intervals of max. 200 mm over the length

- 1** Countersunk screw
- 2** Slot nut
- 3** Adjustment height ± 3 mm, specified dimensions in mid-position
- 4** Lateral mounting variant
- 5** Screw-in depth max. 20 mm

Installation height = H1 + H3

Dimensions and ordering data								
Type	B1	B2	B3	D1	D2	H1 ± 3	H2	H3
ATAB-B-1	43	140	120	M12x1	M5	30	5	5
ATAB-B-1-40						30		
ATAB-B-2						10		
ATAB-B-2-40						10		

Dimensions and ordering data								
Type	L1	$\varnothing 1$	$\varnothing 2$	CRC ²⁾	Weight [g]	Part No.	Type	PU ¹⁾
ATAB-B-1	30	10	3	2	150	2099050	ATAB-B-1	4
ATAB-B-1-40						8005405	ATAB-B-1-40	40
ATAB-B-2						2099049	ATAB-B-2	4
ATAB-B-2-40						8005406	ATAB-B-2-40	40

1) Packaging unit

2) Corrosion resistance class CRC 2 to Festo standard FN 940070

Moderate corrosion stress. Indoor applications in which condensation may occur. External visible parts with primarily decorative requirements for the surface and which are in direct contact with the ambient atmosphere typical for industrial applications.

Ordering data – Slot nut		Technical data → Internet: hmbn	
	Brief description	Part No.	Type
	For mounting the air cushion plates via the mounting slots	189654	HMBN-5-M5

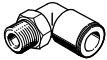
Air cushion plates ATBT

Accessories

Special push-in fittings

The air cushion plate is supplied with compressed air via the connecting thread.

The following push-in fittings are recommended for adjusting the flow rate and the resulting air cushions.

Ordering data – Push-in L-fitting									
	Connection Thread	Nominal size [mm]	Flow rate [l/min]	Tubing O.D. [mm]	Weight [g]	Part No.	Type	PU ¹⁾	
With external hexagon									
	G $\frac{1}{4}$	1.8	0 ... 90	8	27	8005390	QSL-G$\frac{1}{4}$-8-C18	10	
		2.5	0 ... 180	8	27	8005391	QSL-G$\frac{1}{4}$-8-C25		
		3.5	0 ... 280	8	27	8005392	QSL-G$\frac{1}{4}$-8-C35		
			1.8	0 ... 90	8	27	8005393	QSL-G$\frac{1}{4}$-8-C18-50	50
			2.5	0 ... 180	8	27	8005394	QSL-G$\frac{1}{4}$-8-C25-50	
			3.5	0 ... 280	8	27	8005395	QSL-G$\frac{1}{4}$-8-C35-50	

1) Packaging unit

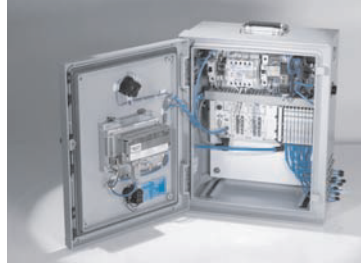
Product Range and Company Overview

A Complete Suite and Company Overview

Our experienced engineers provide complete support at every stage of your development process, including: conceptualization, analysis, engineering, design, assembly, documentation, validation, and production.



Custom Automation Components
Complete custom engineered solutions



Custom Control Cabinets
Comprehensive engineering support and on-site services



Complete Systems
Shipment, stocking and storage services

The Broadest Range of Automation Components

With a comprehensive line of more than 30,000 automation components, Festo is capable of solving the most complex automation requirements.



Electromechanical
Electromechanical actuators, motors, controllers & drivers



Pneumatics
Pneumatic linear and rotary actuators, valves, and air supply



PLCs and I/O Devices
PLC's, operator interfaces, sensors and I/O devices

Supporting Advanced Automation... As No One Else Can!

Festo is a leading global manufacturer of pneumatic and electromechanical systems, components and controls for industrial automation, with more than 16,000 employees in 60 national headquarters serving more than 180 countries. For more than 80 years, Festo has continuously elevated the state of manufacturing with innovations and optimized motion control solutions that deliver higher performing, more profitable automated manufacturing and processing equipment. Our dedication to the advancement of automation extends beyond technology to the education and development of current and future automation and robotics designers with simulation tools, teaching programs, and on-site services.

Quality Assurance, ISO 9001 and ISO 14001 Certifications

Festo Corporation is committed to supply all Festo products and services that will meet or exceed our customers' requirements in product quality, delivery, customer service and satisfaction.

To meet this commitment, we strive to ensure a consistent, integrated, and systematic approach to management that will meet or exceed the requirements of the ISO 9001 standard for Quality Management and the ISO 14001 standard for Environmental Management.

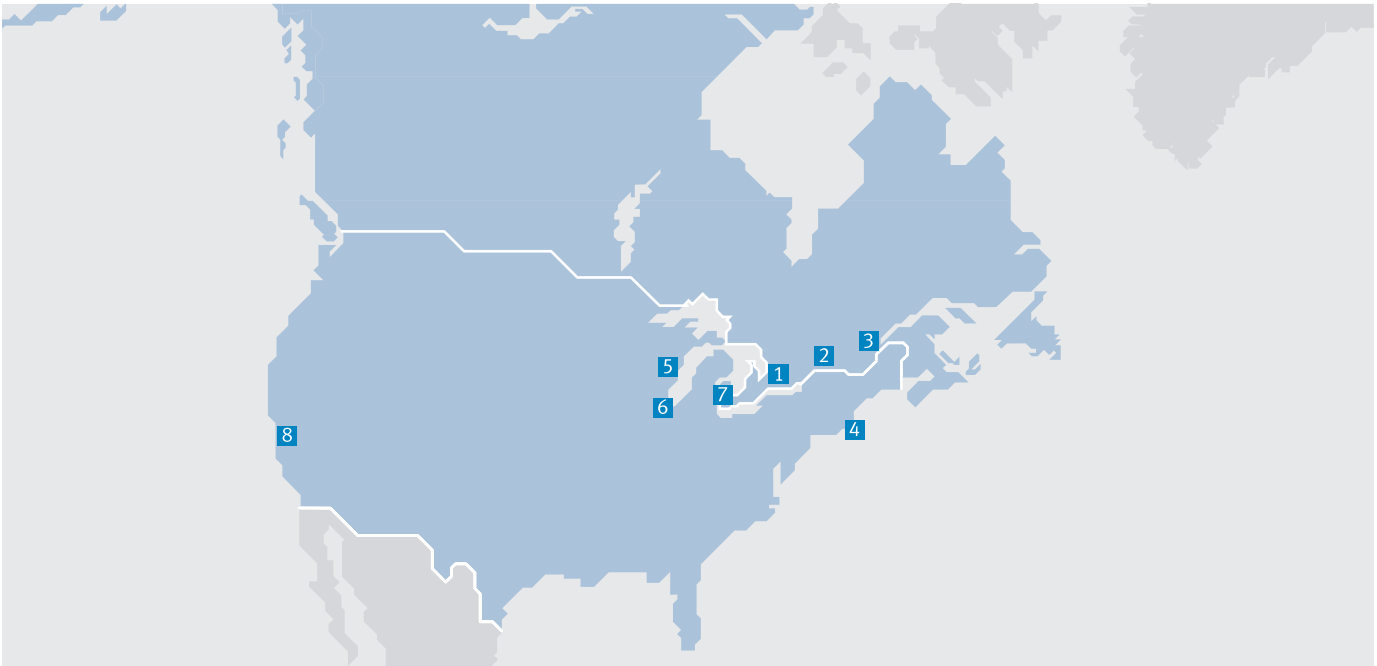


© Copyright 2013, Festo Corporation. While every effort is made to ensure that all dimensions and specifications are correct, Festo cannot guarantee that publications are completely free of any error, in particular typing or printing errors. Accordingly, Festo cannot be held responsible for the same. For Liability and Warranty conditions, refer to our "Terms and Conditions of Sale", available from your local Festo office. All rights reserved. No part of this publication may be reproduced, distributed, or transmitted in any form or by any means, electronic, mechanical, photocopying or otherwise, without the prior written permission of Festo. All technical data subject to change according to technical update.



Printed on recycled paper at New Horizon Graphic, Inc., FSC certified as an environmental friendly printing plant.

Festo North America



**1 Festo Canada
Headquarters
Festo Inc.**
5300 Explorer Drive
Mississauga, ON
L4W 5G4

2 Montréal
5600, Trans-Canada
Pointe-Claire, QC
H9R 1B6

3 Québec City
2930, rue Watt#117
Québec, QC
G1X 4G3



**4 Festo United States
Headquarters
Festo Corporation**
395 Moreland Road
Hauppauge, NY
11788

5 Appleton
North 922 Tower View Drive, Suite N
Greenville, WI
54942

7 Detroit
1441 West Long Lake Road
Troy, MI
48098

6 Chicago
85 W Algonquin - Suite 340
Arlington Heights, IL
60005

8 Silicon Valley
4935 Southfront Road, Suite F
Livermore, CA
94550

Festo Regional Contact Center

Canadian Customers

Commercial Support:
Tel: 1 877 GO FESTO (1 877 463 3786)
Fax: 1 877 FX FESTO (1 877 393 3786)
Email: festo.canada@ca.festo.com

Technical Support:
Tel: 1 866 GO FESTO (1 866 463 3786)
Fax: 1 877 FX FESTO (1 877 393 3786)
Email: technical.support@ca.festo.com

USA Customers

Commercial Support:
Tel: 1 800 99 FESTO (1 800 993 3786)
Fax: 1 800 96 FESTO (1 800 963 3786)
Email: customer.service@us.festo.com

Technical Support:
Tel: 1 866 GO FESTO (1 866 463 3786)
Fax: 1 800 96 FESTO (1 800 963 3786)
Email: product.support@us.festo.com