

Mechanically Actuated Limit Valves

3/2 - 3 Way, 2 Position Valves, Directly Actuated, Barbed Fittings for 3/16 in* / 3 mm Tubing

Swivel Lever, Limit Valve

Type RW/O-3-PK-3

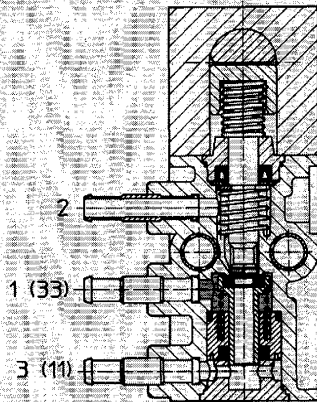


This valve is mechanically operated by a cam attached to the lever arm.

Depending on the connections, the valve functions as "normally closed" (1, blocked, 2 → 3 exhausted) or "normally open" (11 → 2, 33 blocked).

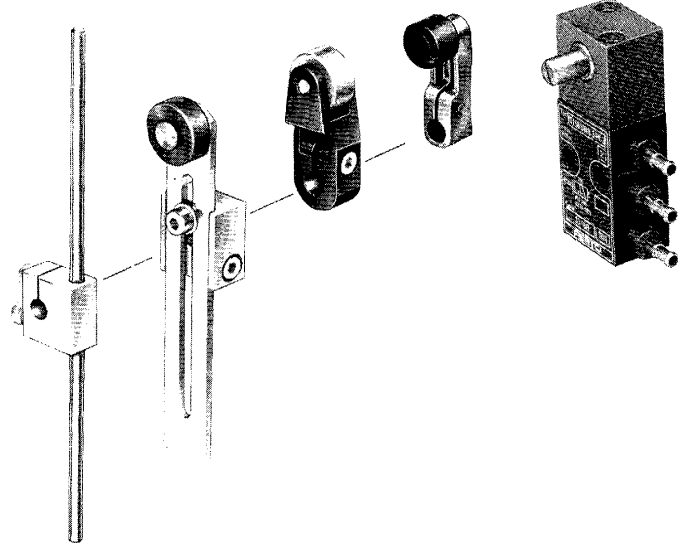
Example:

Type RW/O-3-PK-3



- 1, 11 (P) = Supply
- 2 (A) = Outlet
- 3, 33 (R) = Exhaust

Type ASS-02 ASL-02 ASK-02 ASK-01 RW/O-3-PK-3



Additional Actuators:
(Order separately)

Swivel Lever (short)

Type ASK-01
ASK-02



Swivel Lever (long)

Type ASL-02



Swivel Rod

Type ASS-02



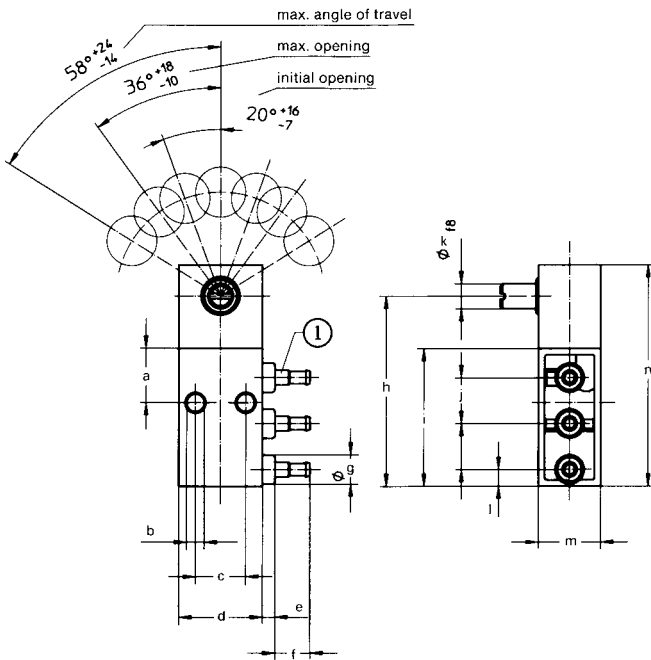
NOTE:

With the ASL-02 or ASS-02 at full extension, the arm's momentum, when released, may carry it past the zero position and cause a signal.

Order Number	10750 RW/O-3-PK-3	13248 ASK-01	5835 ASK-02	5836 ASL-02	4789 ASS-02
Medium	Compressed air (filtered, lubricated, or unlubricated)				
Design	Poppet valve, directly actuated, with spring return				
Mounting	Through holes in housing				
Connection	Barbed fittings for 3/16 in* / 3 mm tubing				
Orifice Size	0.10 in / 2.5 mm				
C _v Factor (P → A)	0.08 C _v / 80 l/min				
Pressure Range	0 to 120 psi / 0 to 8 bar				
Operating Force at 90 psi / 6 bar	2.92 lbf / 13 N, Normally open: 3.60 lbf / 16 N				
Temperature Range	+14 to 140°F / -10 to +60°C				
Material	Housing: Polymer Seals: Buna N	Diecast zinc	Al, steel		
Weight	0.088 lb / 0.040 kg	0.044 lb / 0.020 kg	0.066 lb / 0.030 kg	0.077 lb / 0.035 kg	0.066 lb / 0.030 kg

* Approximate equivalent.

Type RW / O-3-PK-3



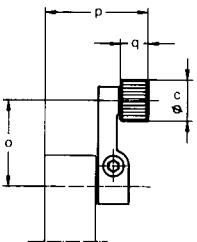
① Barbed fitting for 3/16 in* / 3 mm tubing

* Approximate equivalent.

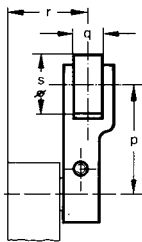
Dimensions

a	0.51 in / 13 mm	n	2.09 in / 53 mm
b	0.17 in / 4.3 mm	o	0.98 in / 25 mm
c	0.47 in / 12 mm	p	1.18 in / 30 mm
d	0.79 in / 20 mm	q	0.31 in / 8 mm
e	0.12 in / 3 mm	r	0.91 in / 23 mm
f	0.33 in / 8.5 mm	s	0.67 in / 17 mm
g	0.28 in / 7 mm	t	1.26 in / 32 mm
h	1.79 in / 45.5 mm	u	0.71 in / 18 mm
i	1.30 in / 33 mm	v	0.98 to 3.35 in / 25 to 85 mm
j	0.43 in / 11 mm	w	0.83 in / 21 mm
k	0.24 in / 6 mm	x	1.18 to 5.51 in / 30 to 140 mm
l	0.16 in / 4 mm		
m	0.59 in / 15 mm		

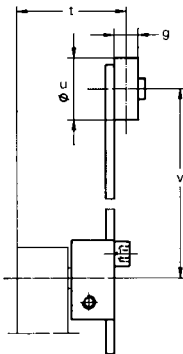
Type ASK-01



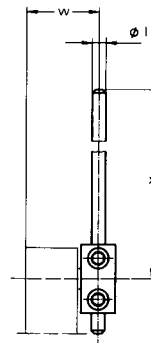
Type ASK-02



Type ASL-02



Type ASS-02



Mechanically Actuated Limit Valves

3/2 - 3 Way, 2 Position Valves, Directly Actuated, M5

Swivel Lever Limit Valve Normally Closed

Type RW-3-M5



The valve is mechanically operated by a cam attached to the lever arms.

Additional Actuators:

Swivel Lever,
for Limit Valve
Type ASK-02



Swivel Lever, Adjustable,
for Limit Valve
Type ASL-02



Swivel Lever, Rod,
for Limit Valve
Type ASS-02



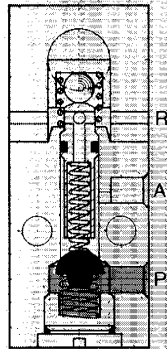
NOTE

With the ASL-02 or ASS-02 at full extension, the arm's momentum when released may carry it past the zero position and cause a signal.

Accessories:

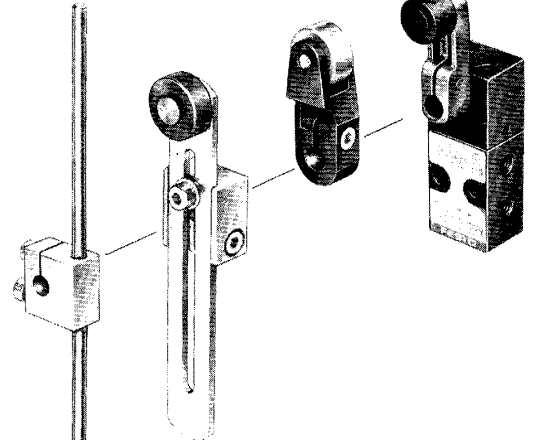
(Order separately)
Bracket
Order No. 9634 HV-M5
See page 790.

Example: Type RW-3-M5

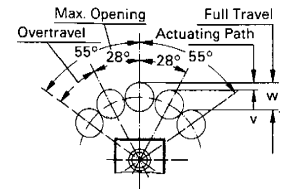
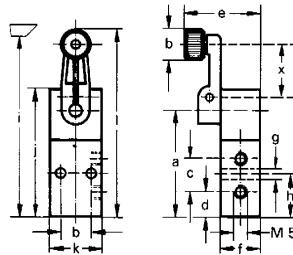


- 1 (P) = Supply (or vacuum)
- 2 (A) = Outlet
- 3 (R) = Exhaust

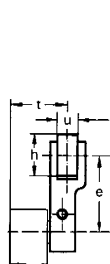
Type ASS-02 ASL-02 ASK-02 RW-3-M5



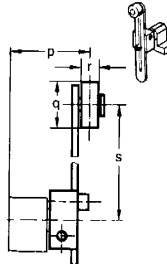
Type RW-3-M5



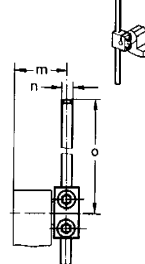
Type ASK-02



Type ASL-02



Type ASS-02



Dimensions

a	1.65 in / 42 mm	j	1.97 in / 50 mm	r	0.28 in / 7 mm
b	0.47 in / 12 mm	k	0.79 in / 20 mm	s	0.99 to 3.35 in / 25 to 85 mm
c	0.51 in / 13 mm	l	2.90 in / 73.5 mm	t	0.91 in / 23 mm
d	0.31 in / 10 mm	m	0.83 in / 21 mm	u	0.32 in / 8 mm
e	1.18 in / 30 mm	n	0.16 in / 4 mm	v	0.12 in / 3 mm
f	0.59 in / 15 mm	o	1.18 to 5.51 in / 30 to 140 mm	w	0.42 in / 10.6 mm
g	1.70 in / 43 mm	p	1.26 in / 32 mm	x	1 in / 25.5 mm
h	0.67 in / 17 mm	q	0.71 in / 18 mm		
i	2.78 in / 70.5 mm				

Order Number	Valve	4031 RW-3-M5		
	Actuators	5835 ASK-02	5836 ASL-02	4789 ASS-02
Medium		Compressed air (filtered, lubricated or unlubricated) can be used for vacuum		
Mounting		Two holes through housing		
Connection		M5		
Orifice Size		0.079 in / 2 mm		
C _v Factor		0.08 C _v / 80 l/min		
Pressure Range		28.5 in Hg-120 psi / -0.95-8 bar		
Operating Force at 90 psi / 6 bar Supply *		1.8 lbf / 8 N	—	—
Design		Seat valve, directly actuated, with spring return		
Material		Housing: Al, blue anodized. Seals: Buna N	Al, steel	
Weight		0.143 lb / 0.065 kg	0.066 lb / 0.030 kg	0.077 lb / 0.035 kg

* 14 to 140°F / -10 to +60°C temperature range of medium

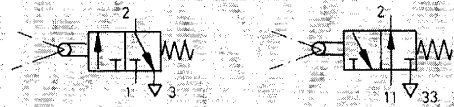
Swivel Lever, Limit Valve

Spring Return

Type RW/O-3-1/8

Corrosion-and Acid-Resistant Design

Type RW/O-3-1/8-S9



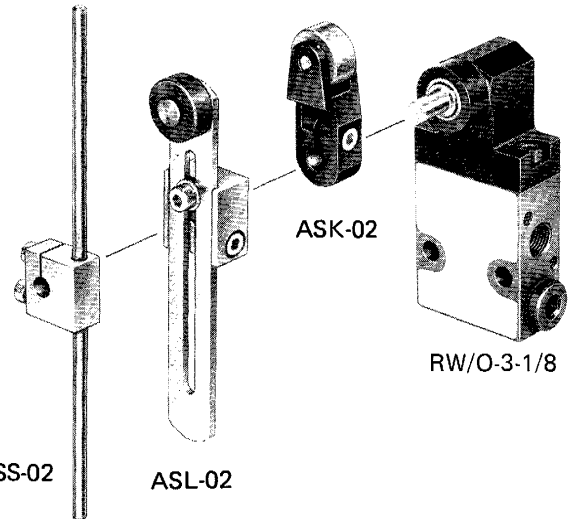
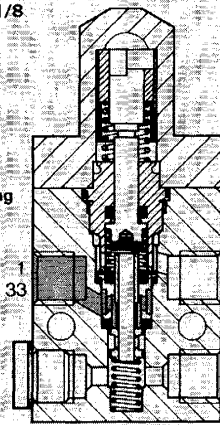
Depending on the selection of ports, the valve, when idle, is normally closed (P₁ blocked, A exhausted to R₁) or normally open (P₂ connected to A, R₂ blocked).

The valve is actuated mechanically by a cam. By reversing two parts in the switch-head, various actuation points may be obtained (see page 804.)

Example: RW/O-3-1/8

Complete with:
1 bracket, 2 cap-screws, 2 hex nuts and spring washers.

1, 11 (P) = Supply
2 (A) = Operating outlet
3, 33 (R) = Exhaust



Accessories:

(Order separately)
Mounting Bracket
Order No. 9635 HV-1/8

Actuators: (Order Separately)

Swivel Lever, for Limit Valve
Type ASK-02



Corrosion-and Acid-Resistant Design
Type ASK-02-S9



Swivel Lever, Adjustable, for Limit Valve
Type ASL-02

Swivel Lever, Rod, for Limit Valve
Type ASS-02



Order Number	Valve	4937 RW/O-3-1/8		
	Type S9 Valve	10062 RW/O-3-1/8-S9		
	Actuators	—	5835 ASK-02	5836 ASL-02
	Type S9 Actuator	—	10077 ASK-02-S9	
Medium		Compressed air or vacuum† (filtered, lubricated or unlubricated)		
Mounting		Two holes through housing		
Connection		G 1/8 ISO		
Orifice Size		0.14 in / 3.5 mm		
C _v Factor (P → A)		0.14 C _v / 140 l/min		
Pressure Range		28.5 in Hg to 120 psi / -0.95 to +8 bar		
Operating Force at 90 psi / 6 bar Supply*	Min Max	— —	1.57 lbf / 7 N	** **
Design		Seat valve, directly actuated, with spring return		
Material		Housing: Al, blue anodized. Seals: Buna N	Al, steel	
	Type S9	Housing: 304 Stainless steel Seals: Buna N	304 Stainless steel	—
Weight		0.331 lb / 0.150 kg	0.066 lb / 0.030 kg	0.007 lb / 0.035 kg
	Type S9	0.661 lb / 0.300 kg	0.132 lb / 0.060 kg	—

* 14 to 140°F / -10 to +60°C

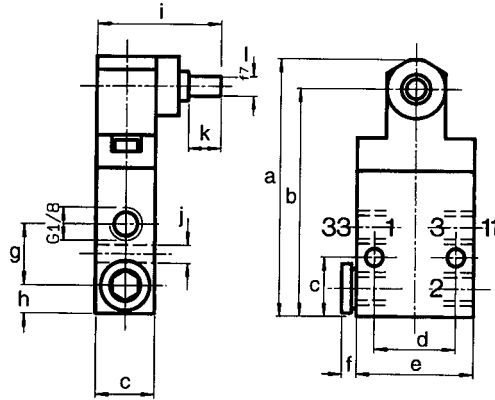
** Depends on the travel distance.

† Vacuum connection at P₁ or P₂

Mechanically Actuated Limit Valves

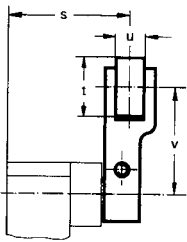
Dimensions

Type RW/O-3-1/8
RW/O-3-1/8-S9

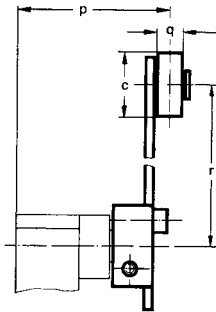


- 1, 11 (P) = Supply
- 2 (A) = Operating or Outlet Port
- 3, 33 (R) = Exhaust

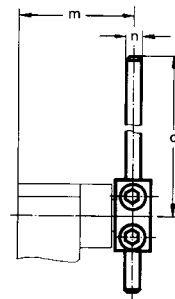
Type ASK-02
ASK-02-S9



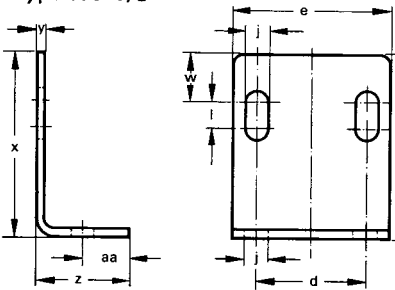
Type ASL-02



Type ASS-02



Type HV-1/8

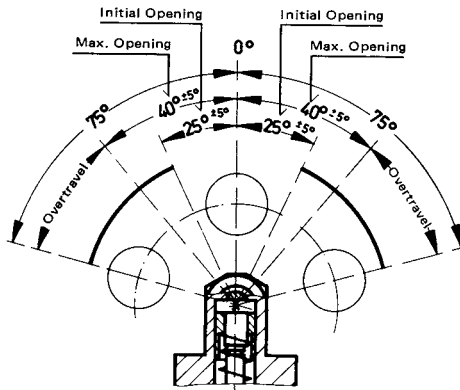


Dimensions

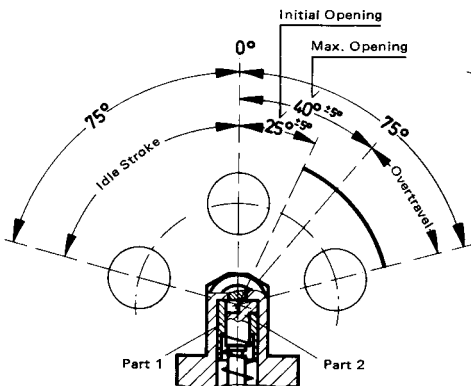
a	3.07 in / 78 mm	j	0.21 in / 5.3 mm	s	1.38 in / 35 mm
b	2.72 in / 69 mm	k	0.39 in / 10 mm	t	0.67 in / 17 mm
c	0.71 in / 18 mm	l	0.24 in / 6 mm	u	0.32 in / 8 mm
d	0.99 in / 25 mm	m	1.30 in / 33 mm	v	1.18 in / 30 mm
e	1.42 in / 36 mm	n	0.16 in / 4 mm	w	0.43 in / 11 mm
f	0.18 in / 4.5 mm	o	1.18 to 5.52 in / 30 to 140 mm	x	1.65 in / 42 mm
g	0.73 in / 18.5 mm	p	1.73 in / 44 mm	y	0.08 in / 2 mm
h	0.33 in / 8.5 mm	q	0.28 in / 7 mm	z	0.83 in / 21 mm
i	1.50 in / 38 mm	r	0.99 to 3.55 in / 25 to 85 mm	aa	0.41 in / 10.5 mm

Actuation points may be changed by altering the cam inside the switch-head.

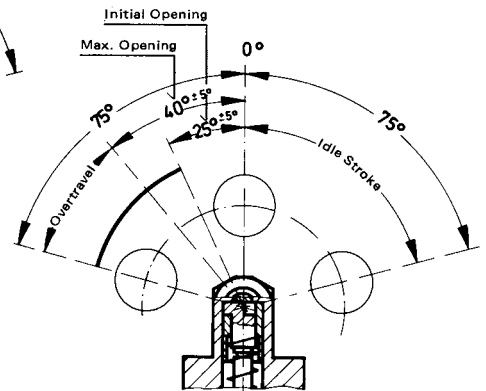
Switch head cams rotated 90°



Basic Position (as supplied)



Switch-head cams rotated 180°



Mechanically Actuated Limit Valves

3/2 - 3 Way, 2 Position Valves, Directly Actuated, G 1/8 ISO

FESTO

Pneumatic Limit Valve

Type RWN/0-3-1/8-B

with installation dimensions and switching point as per DIN 43 694



Depending on the selection of ports, this valve may have either of the following functions: No flow when normally closed (P₁ closed, A exhausted to R₁) or normally open when not actuated (P₂ → A, R₂ closed).

Valve Actuators:
(Order separately)

Swivel Lever (short)

Type ASK-03

Swivel Lever (long)

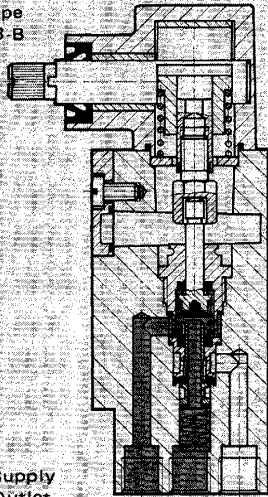
Type ASL-03

Swivel Rod

Type ASS-03



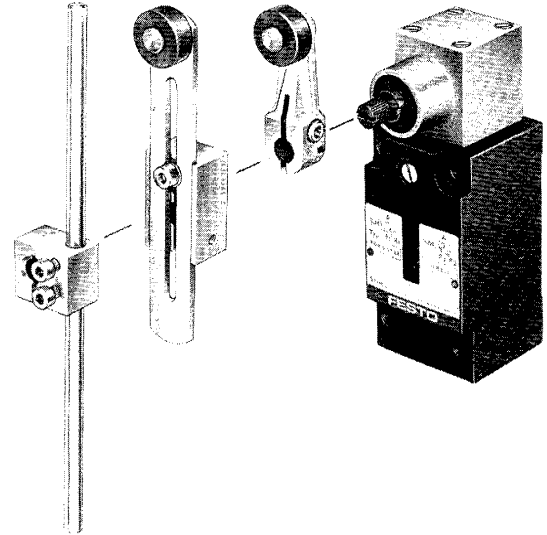
Example: Type RWN/0-3-1/8-B



1, 11 (P) = Supply
2 (A) = Outlet
3, 33 (R) = Exhaust

P₂ (R₁) A R₂ (P₁)

Type ASS-03 ASL-03 ASK-03 RWN/0-3-1/8-B



Order Number	Valve	9694 RWN/0-3-1/8-B		
	Actuators	5838 ASK-03	5839 ASL-03	5840 ASS-03
Medium		Compressed air (filtered, lubricated or unlubricated), can be used for vacuum*		
Mounting		Four holes through housing		
Connection		G 1/8 ISO		
Orifice Size		0.14 in / 3.5 mm		
C _v Factor		0.12 C _v / 120 l/min		
Pressure Range		28.5 in Hg to 120 psi / -0.95 to 8 bar		
Operating Force at 90 psi / 6 Bar Supply**	Min Max	— 1.69 lbf / 7.5 N	0.90 lbf / 4 N 2.9 lbf / 13 N	0.45 lbf / 2 N 2.9 lbf / 13 N
Design		Seat valve, directly actuated, with spring return		
Material	Housing Seals	Al, anodized	Al, steel	Al, steel
		Buna N		
Weight		0.992 lb / 0.450 kg	0.066 lb / 0.030 kg	0.143 lb / 0.065 kg
				0.077 lb / 0.035 kg

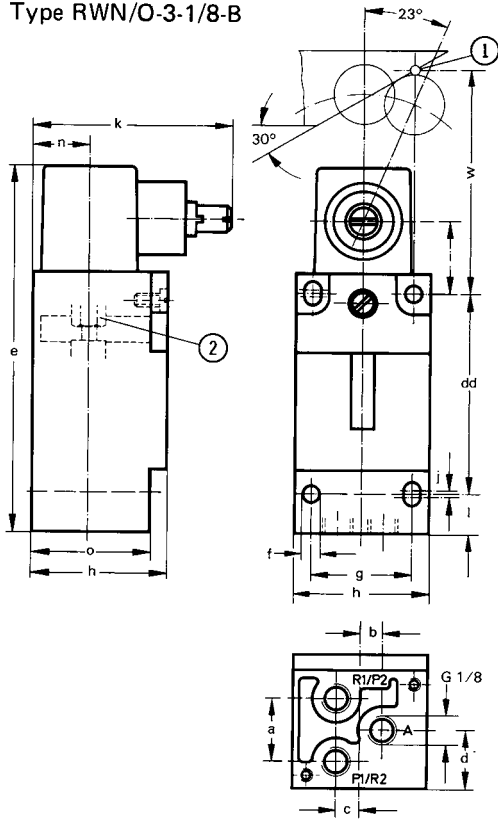
* Vacuum connected to P₁ or P₂

** 14 to 140°F / -10 to +60°C

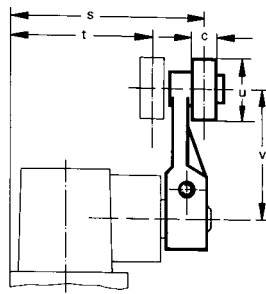
Mechanically Actuated Limit Valves

Dimensions

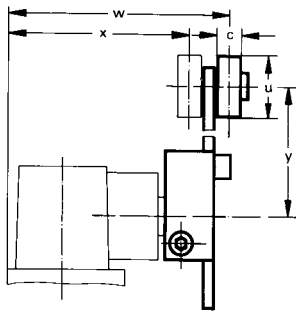
Type RWN/O-3-1/8-B



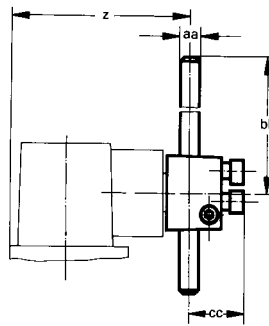
Type ASK-03



Type ASL-03



Type ASS-03



The actuating head can be rotated in 90° increments.

- ① Switching point as per DIN 43 694
- ② Adjusting screw for point of actuation

Dimensions

- a 0.75 in / 19 mm
- b 0.36 in / 6.5 mm
- c 0.28 in / 7 mm
- d 0.69 in / 17.5 mm
- e 4.31 in / 109.5 mm
- f 0.21 in / 5.3 mm
- g 1.18 in / 30 mm
- h 1.58 in / 40 mm
- i 0.85 in / 21.5 mm
- j 0.08 in / 2 mm
- k 2.32 in / 59 mm
- l 0.47 in / 12 mm
- m 0.98 in / 25 mm
- n 0.65 in / 16.5 mm
- o 1.38 in / 35 mm
- p 0.32 in / 8 mm
- q 0.53 in / 13.5 mm
- r 1.02 in / 26 mm
- s 2.29 in / 58 mm
- t 1.85 in / 47 mm
- u 0.71 in / 18 mm
- v 1.50 in / 38 mm
- w 2.60 in / 65 mm
- x 2.21 in / 56 mm
- y 1.18 to 3.39 in / 30 to 86 mm
- z 2.09 in / 53 mm
- aa 0.24 in / 6 mm
- bb 1.18 to 5.59 in / 30 to 142 mm
- cc 0.63 in / 16 mm
- dd 2.36 in / 60 mm

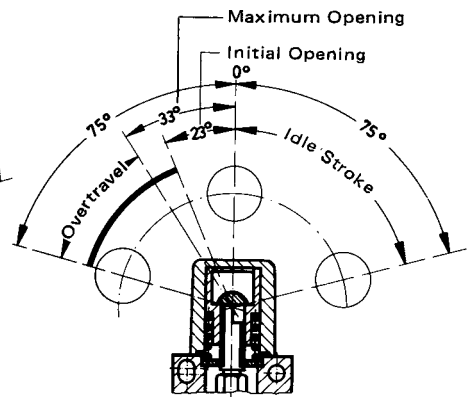
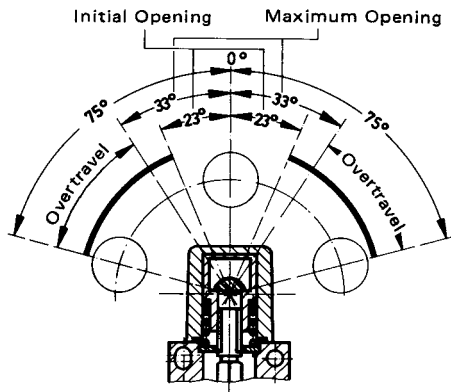
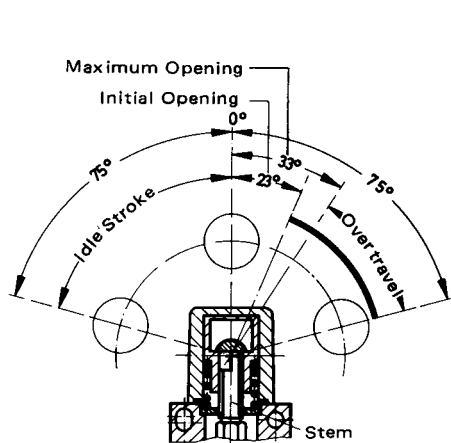
- 1, 11 (P) = Supply port (or vacuum)
- 2 (A) = Working or outlet
- 3, 33 (R) = Exhaust

Operational Range Set by Rotating the Stem

Initial Setting (as Supplied)

Stem Rotated 90° around Longitudinal Axis

Stem rotated 180° around Longitudinal Axis



Product Range and Company Overview

A Complete Suite of Automation Services

Our experienced engineers provide complete support at every stage of your development process, including: conceptualization, analysis, engineering, design, assembly, documentation, validation, and production.



Custom Automation Components
Complete custom engineered solutions



Custom Control Cabinets
Comprehensive engineering support and on-site services



Complete Systems
Shipment, stocking and storage services

The Broadest Range of Automation Components

With a comprehensive line of more than 30,000 automation components, Festo is capable of solving the most complex automation requirements.



Electromechanical
Electromechanical actuators, motors, controllers & drives



Pneumatics
Pneumatic linear and rotary actuators, valves, and air supply



PLCs and I/O Devices
PLC's, operator interfaces, sensors and I/O devices

Supporting Advanced Automation... As No One Else Can!

Festo is a leading global manufacturer of pneumatic and electromechanical systems, components and controls for industrial automation, with more than 12,000 employees in 56 national headquarters serving more than 180 countries. For more than 80 years, Festo has continuously elevated the state of manufacturing with innovations and optimized motion control solutions that deliver higher performing, more profitable automated manufacturing and processing equipment. Our dedication to the advancement of automation extends beyond technology to the education and development of current and future automation and robotics designers with simulation tools, teaching programs, and on-site services.

Quality Assurance, ISO 9001 and ISO 14001 Certifications

Festo Corporation is committed to supply all Festo products and services that will meet or exceed our customers' requirements in product quality, delivery, customer service and satisfaction.

To meet this commitment, we strive to ensure a consistent, integrated, and systematic approach to management that will meet or exceed the requirements of the ISO 9001 standard for Quality Management and the ISO 14001 standard for Environmental Management.



© Copyright 2008, Festo Corporation. While every effort is made to ensure that all dimensions and specifications are correct, Festo cannot guarantee that publications are completely free of any error, in particular typing or printing errors. Accordingly, Festo cannot be held responsible for the same. For Liability and Warranty conditions, refer to our "Terms and Conditions of Sale", available from your local Festo office. All rights reserved. No part of this publication may be reproduced, distributed, or transmitted in any form or by any means, electronic, mechanical, photocopying or otherwise, without the prior written permission of Festo. All technical data subject to change according to technical update.



Printed on recycled paper at New Horizon Graphic, Inc., FSC certified as an environmentally friendly printing plant.

Festo North America

United States

Customer Resource Center
502 Earth City Expy., Suite 125
Earth City, MO 63045

For ordering assistance, or to find
your nearest Festo Distributor,

Call: 1.800.99.FESTO

Fax: 1.800.96.FESTO

Email: customer.service@us.festo.com

For technical support,

Call: 1.866.GO.FESTO

Fax: 1.800.96.FESTO

Email: product.support@us.festo.com

Headquarters

Festo Corporation
395 Moreland Road
P.O. Box 18023
Hauppauge, NY 11788
www.festo.com/us

Sales Offices

Appleton

N. 922 Tower View Drive, Suite N
Greenville, WI 54942

Boston

120 Presidential Way, Suite 330
Woburn, MA 01801

Chicago

1441 East Business Center Drive
Mt. Prospect, IL 60056

Dallas

1825 Lakeway Drive, Suite 600
Lewisville, TX 75057

Detroit - Automotive Engineering Center

2601 Cambridge Court, Suite 320
Auburn Hills, MI 48326

New York

395 Moreland Road
Hauppauge, NY 11788

Silicon Valley

4935 Southfront Road, Suite F
Livermore, CA 94550

Design and Manufacturing Operations



East: 395 Moreland Road, Hauppauge, NY 11788



Central: 1441 East Business Center Drive, Mt. Prospect, IL 60056



West: 4935 Southfront Road, Suite F, Livermore, CA 94550

Mexico

Headquarters

Festo Pneumatic, S.A.
Av. Ceylán 3, Col. Tequesquahuac
54020 Tlalnepantla, Edo. de México
Call: 011 52 [55] 53 21 66 00
Fax: 011 52 [55] 53 21 66 65
Email: festo.mexico@mx.festo.com
www.festo.com/mx



Canada

Headquarters

Festo Inc.
5300 Explorer Drive
Mississauga, Ontario L4W 5G4
Call: 1.905.624.9000
Fax: 1.905.624.9001
Email: info.ca@ca.festo.com
www.festo.com/ca



Festo Worldwide

Argentina Australia Austria Belarus Belgium Brazil Bulgaria Canada Chile China Colombia Croatia Czech Republic Denmark
Estonia Finland France Germany Great Britain Greece Hong Kong Hungary India Indonesia Iran Ireland Israel Italy Japan
Latvia Lithuania Malaysia Mexico Netherlands New Zealand Norway Peru Philippines Poland Romania Russia Serbia Singapore
Slovakia Slovenia South Africa South Korea Spain Sweden Switzerland Taiwan Thailand Turkey Ukraine United States Venezuela

www.festo.com