

Mechanically Actuated Limit Valves

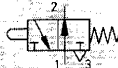
3/2 - 3 Way, 2 Position Valves, Inch and Metric Series, Barbed Fittings for PU 1/8 or 3/16 in** / 3 mm Tubing

Micro Valve, Stem Actuated

Type S-3-PK-3-B



Type SO-3-PK-3-B



The external dimensions of these valves meet the specifications of DIN 41635 form A.

The switching point is pressure-dependent and varies up to 0.03 in / 0.8 mm in the pressure range from 0 to 120 psi / 0 to 8 bar.

The maximum by which the switching point may be exceeded is 0.02 in / 0.5 mm.

The valve may not be used as an end position stop.

The valve can only be actuated at right angles to the axis of the stem. If the angle deviates by $\pm 5^\circ$, valve actuators must be used.

Valve Actuators:

(Order separately)

Roller Lever Type AR-06-B
with mounting screws



Roller Lever with idle return
Type AL-06-B
with mounting screws



Rod Actuator
Type AF-06-B

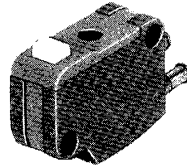


Accessory:

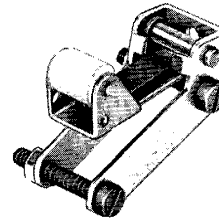
(Order separately)

Mounting plate, Type MPL-04

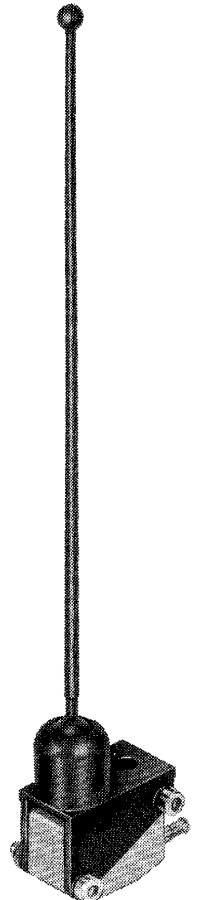
Type S-3-PK-3-B
SO-3-PK-3-B



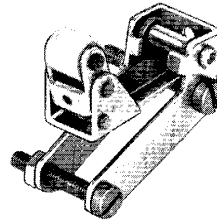
Type AR-06-B



Type AF-06-B



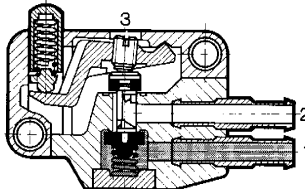
Type AL-06-B



Type MPL-04



Example: Type S-3-PK-3-B



- 1 (P) = Supply port
- 2 (A) = Working or outlet line
- 3 (R) = Exhaust

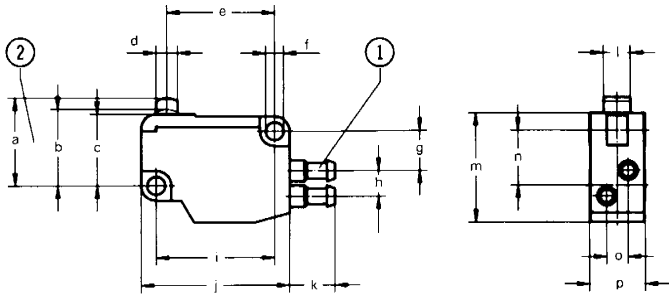
Part No./Type	Basic Valve Metric	7843	10403	Valve Actuators	—	—	Mounting Plate
		S-3-PK-3-B	SO-3-PK-3-B		10098	10099	
	NPT			AR-06-B	AL-06-B	AF-06-B	4903 MPE-04
Medium	Compressed air (filtered, lubricated or unlubricated) or vacuum†						
Mounting	Two holes through housing or on mounting plate						
Connection	Barbed fitting for 3/16 in** / 3 mm tubing						
Orifice Size	0.07 in / 1.8 mm						
C _v Factor	0.06 C _v / 60 l/min						
Pressure Range	28.5 in Hg to 120 psi / -0.95 to +8 bar						
Operating Force at 90 psi / 6 bar Supply*	1.3 lbf / 6 N			2.2 lbf / 10 N			
Design	Poppet valve, directly actuated, spring return						
Material	Plastic, brass		Steel, galvanized		Polyacetal		Al, anodized
Weight	0.015 lb / 0.007 kg		0.031 lb / 0.014 kg		0.022 lb / 0.010 kg		0.031 lb / 0.014 kg

* 14 to 140°F / -10 to +60°C

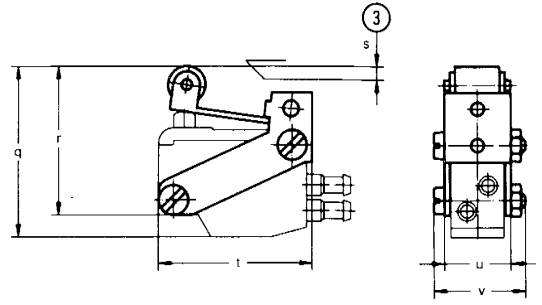
† Vacuum connection at 1 (P)

**Approximate equivalent.

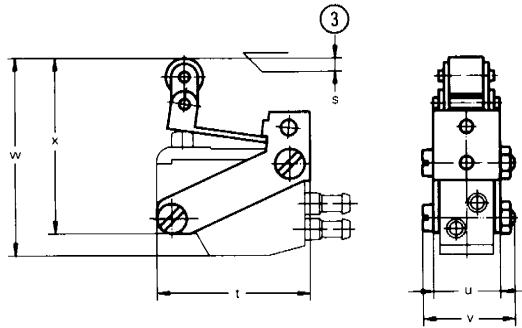
Type S-3-PK-3-B
SO-3-PK-3-B



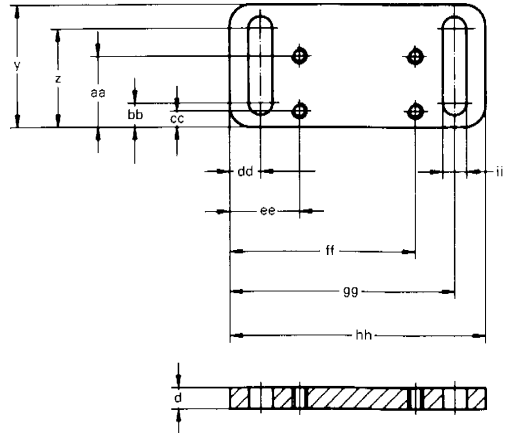
Type AR-06-B



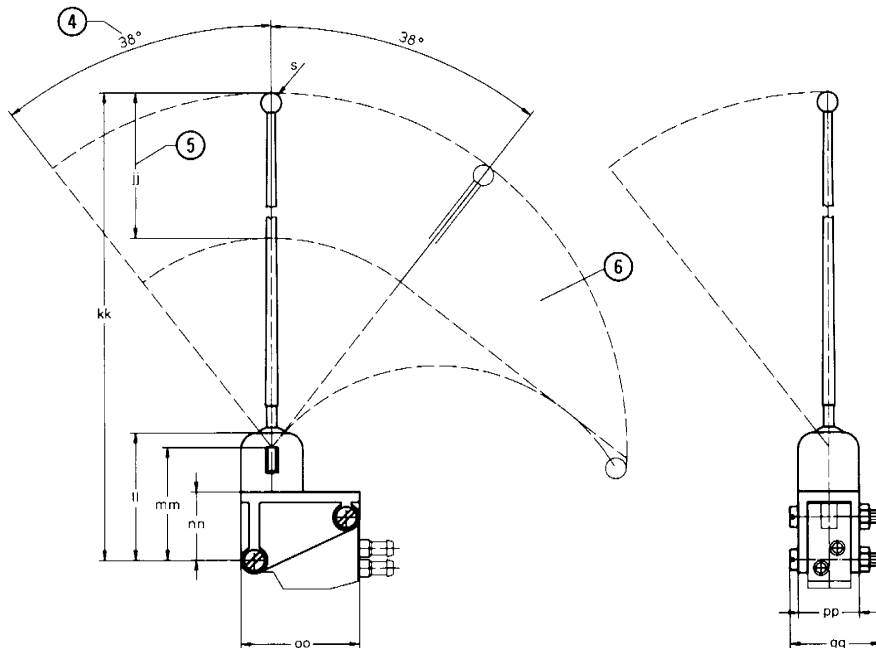
Type AL-06-B



Type MPL-04

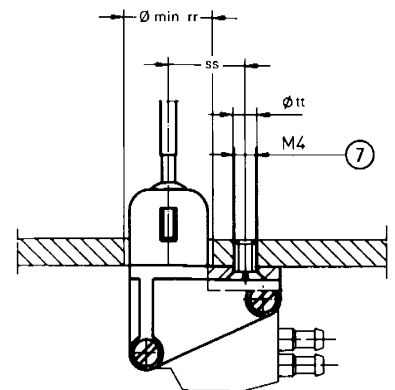


Type AF-06-B



- ① Barbed fitting for 3/16 in* / 3 mm plastic tubing
 - ② Min. switching point
 - ③ Switching path
 - ④ Required angle of activation at P = 120 psi / 8 bar
 - ⑤ Perm. starting range
 - ⑥ Excess stroke
 - ⑦ Suitable for DIN 963 screw
- * Approximate equivalent.

Installation Example



Dimensions

a 0.65 in / 16.5 mm	k 0.33 in / 8.5 mm	u 0.49 in / 12.5 mm	ee 0.52 in / 13.2 mm
b 0.57 in / 14.4 mm	l 0.20 in / 5 mm	v 0.71 in / 18 mm	ff 1.39 in / 35.4 mm
c 0.53 in / 13.5 mm	m 0.80 in / 20.4 mm	w 1.48 in / 37.5 mm	gg 1.68 in / 42.8 mm
d 0.16 in / 4 mm	n 0.41 in / 10.3 mm	x 1.30 in / 33 mm	hh 1.91 in / 48.6 mm
e 0.80 in / 20.2 mm	o 0.16 in / 4 mm	y 0.90 in / 23 mm	ii 0.18 in / 4.5 mm
f 0.13 in / 3.4 mm	p 0.41 in / 10.4 mm	z 0.73 in / 18.5 mm	jj 3.94 in / 100 mm
g 0.29 in / 7.5 mm	q 1.26 in / 32 mm	aa 0.52 in / 13.3 mm	kk 6.99 in / 177.5 mm
h 0.19 in / 4.8 mm	r 1.10 in / 28 mm	bb 0.18 in / 4.5 mm	ll 1.20 in / 30.6 mm
i 0.87 in / 22.2 mm	s 0.10 in / 2.5 mm	cc 0.12 in / 3 mm	mm 1.07 in / 27.1 mm
j 1.09 in / 27.8 mm	t 1.13 in / 28.8 mm	dd 0.23 in / 5.8 mm	nn 0.64 in / 16.4 mm
			oo 1.12 in / 28.6 mm
			pp 0.59 in / 15 mm
			qq 0.87 in / 22 mm
			rr 0.61 in / 15.6 mm
			ss 0.57 in / 14.6 mm
			tt 0.18 in / 4.5 mm

Festo - Your Partner in Automation



1 Festo Inc.
5300 Explorer Drive
Mississauga, ON L4W 5G4
Canada

Festo Customer Interaction Center
Tel: 1 877 463 3786
Fax: 1 877 393 3786
Email: customer.service.ca@festo.com



2 Festo Pneumatic
Av. Ceylán 3,
Col. Tequesquináhuac
54020 Tlalnepantla,
Estado de México

Multinational Contact Center
01 800 337 8669
ventas.mexico@festo.com



3 Festo Corporation
1377 Motor Parkway
Suite 310
Islandia, NY 11749

Festo Customer Interaction Center
1 800 993 3786
1 800 963 3786
customer.service.us@festo.com



4 Regional Service Center
7777 Columbia Road
Mason, OH 45040

Connect with us



www.festo.com/socialmedia



www.festo.com

Subject to change