

- 1 - Type discontinued
Available up until 2011

Compact cylinders ADVU – Inch Series

FESTO



Compact cylinder for proximity sensing, Piston-rod end with male thread

- Piston Ø 1/2" to 5"
- Stroke lengths up to 16"
- Double-acting
- Compact design – less space required
- Numerous options
- Repairable

| Product Range Overview | | | | | | | | | | | | |
|------------------------|---------|--|-----------------|----------------|----------|---|---|----|----|-----|-----|---|
| Function | Version | Piston Ø [in] | Stroke [in] | Force [lbf] | Variants | | | | | | | |
| | | | | | A | P | A | S2 | S6 | S20 | S26 | |
| Double-acting | ADVU | 1/2, 5/8, 3/4, 1, 1-1/4, 1-5/8, 2, 2-1/2, 3, 4 | see table below | 15.3 ... 1,655 | ■ | ■ | ■ | ■ | ■ | ■ | ■ | ■ |
| | | 5 | | | ■ | ■ | ■ | ■ | ■ | - | - | |

| Variants | | | | |
|--|-------------------------------|--------------------------------------|--|--|
| A Male thread | A Magnet for position sensing | S6 Heat-resistant seals up to 302 °F | S26 Through piston rod, with heat-resistant seals up to 302 °F | |
| P Flexible cushioning rings at both ends | S2 Through piston rod | S20 Through, hollow piston rod | | |

| Type | Piston Ø [in] | Standard Strokes [in] | Variable Strokes [in] |
|-----------------------|---------------|---|-----------------------|
| ADVU | 1/2, 5/8 | 1/4, 1/2, 3/4, 1, 1-1/4, 1-1/2 | 0.04 ... 8 |
| Piston rod at one end | 3/4, 1 | 1/4, 1/2, 3/4, 1, 1-1/4, 1-1/2, 2 | 0.04 ... 8 |
| | 1-1/4, 1-5/8 | 1/4, 1/2, 3/4, 1, 1-1/4, 1-1/2, 2, 2-1/2, 3 | 0.04 ... 12 |
| | 2, 2-1/2 | 1/2, 3/4, 1, 1-1/4, 1-1/2, 2, 2-1/2, 3 | 0.04 ... 12 |
| | 3, 4, 5 | 1/2, 3/4, 1, 1-1/4, 1-1/2, 2, 2-1/2, 3 | 0.04 ... 16 |

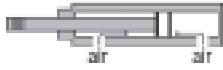
- 1 - Type discontinued
Available up until 2011

Compact cylinders ADVU – Inch Series

Technical data – Double-acting, basic version

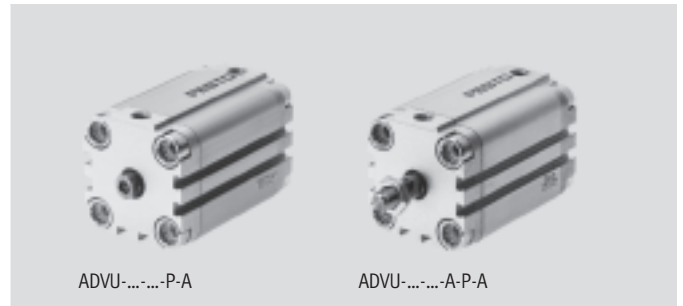
FESTO

Double-acting



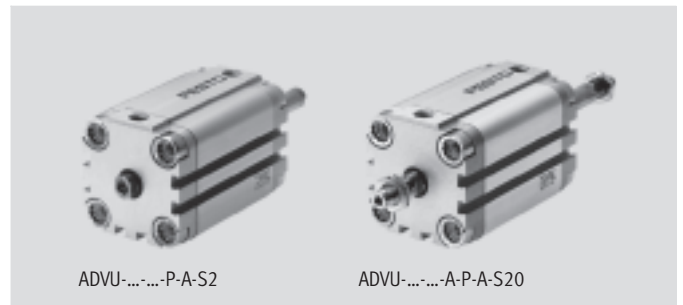
- Through piston rod (S2)
- Through, hollow piston rod (S20)
- Heat resistant seals (S6)
- Through piston rod, heat resistant seals (S26)

-N- Diameter
1/2 ... 5 inch
-T- Stroke length
0.04 ... 16 inch



ADVU-...-P-A

ADVU-...-A-P-A



ADVU-...-P-A-S2

ADVU-...-A-P-A-S20

| General Technical Data | | | | | | | | | | | | |
|---|---|--------------|----------------|---------------|-------|---------------|---|----------------|---|---------------|---------------|---------------|
| Piston Ø | 1/2 | 5/8 | 3/4 | 1 | 1-1/4 | 1-5/8 | 2 | 2-1/2 | 3 | 4 | 5 | |
| Pneumatic connection | 10-32 UNF | | | | | 1/8" NPT | | | | | 1/4" NPT | |
| End of piston rod | Female thread | 4-48 UNF-2B | 8-36 UNF-2B | 10-32 UNF-2B | | 1/4-28 UNF-2B | | 5/16-24 UNF-2B | | 3/8-24 UNF-2B | 1/2-20 UNF-2B | 5/8-18 UNF-2B |
| | Male thread | 10-32 UNF-2A | 5/16-24 UNF-2A | 3/8-24 UNF-2A | | | | 1/2-20 UNF-2A | | 5/8-18 UNF-2A | 3/4-16 UNF-2A | 1-12 UNF-2A |
| Operating medium | Filtered compressed air, lubricated or unlubricated | | | | | | | | | | | |
| Constructional design | Piston | | | | | | | | | | | |
| | Piston rod | | | | | | | | | | | |
| Cushioning | Flexible cushioning rings at both ends | | | | | | | | | | | |
| Magnet for position sensing ¹⁾ | Standard | | | | | | | | | | | |

1) Position sensing via magnetic proximity sensor (ordered separately, see accessories).

| Operating Pressure [psi] | | | | | | | | | | | |
|---------------------------|----------------|-----|----------------|---|----------------|-------|----------------|-------|----------------|---|---------------|
| Piston Ø | 1/2 | 5/8 | 3/4 | 1 | 1-1/4 | 1-5/8 | 2 | 2-1/2 | 3 | 4 | 5 |
| Piston rod at one end | 17.6 ... 176.0 | | 14.7 ... 147.0 | | 11.8 ... 147.0 | | 8.8 ... 147.0 | | 7.4 ... 147 | | |
| Through piston rod S2/S20 | 22.1 ... 147.0 | | 19.1 ... 147.0 | | 17.6 ... 147 | | 14.7 ... 147.0 | | 11.8 ... 147.0 | | 7.4 ... 147.0 |

| Ambient Conditions | | |
|--|---------------|-------------|
| Variant | Basic version | S6 |
| Ambient temperature ¹⁾ [°F] | -4 ... +176 | 32 ... +302 |
| Corrosion resistance class CRC ²⁾ | 2 | 2 |

1) Note operating range of proximity sensors.

2) Corrosion resistance class 2 according to Festo standard 940 070

Components with moderate corrosion resistance for use in normal industrial environments subjected to contact with coolants or lubricating agents.

Compact cylinders ADVU – Inch Series

Technical data – Double-acting, basic version

| Forces [lbf] and Impact Energy [ft-lbf] | | | | | | | | | | | |
|---|------|------|------|------|-------|-------|------|-------|-------|--------|--------|
| Piston Ø | 1/2 | 5/8 | 3/4 | 1 | 1-1/4 | 1-1/2 | 2 | 2-1/2 | 3 | 4 | 5 |
| Theoretical force at 90 psi, extending | 15.3 | 27.2 | 42.3 | 66.4 | 108.7 | 169.7 | 265 | 420.8 | 678.6 | 1060.2 | 1655.3 |
| S2/S20 | 15.3 | 27.2 | 42.3 | 66.4 | 108.7 | 169.7 | 265 | 420.8 | 678.6 | 1060.2 | 1655.3 |
| Theoretical force at 90 psi, retracting | 15.3 | 27.2 | 42.3 | 66.4 | 108.7 | 169.7 | 265 | 420.8 | 678.6 | 1060.2 | 1655.3 |
| S2/S20 | 15.3 | 27.2 | 42.3 | 66.4 | 108.7 | 169.7 | 265 | 420.8 | 678.6 | 1060.2 | 1655.3 |
| Max. impact energy at end positions (E _{perm}) | 0.07 | 0.07 | 0.10 | 0.07 | 0.30 | 0.38 | 0.47 | 0.52 | 0.55 | 0.74 | 2.95 |
| S20 | 0.01 | 0.01 | 0.01 | 0.01 | 0.03 | 0.04 | 0.04 | 0.05 | 0.06 | 0.07 | 0.30 |

Permissible impact velocity:

$$V_{\text{perm.}} = \sqrt{\frac{2 \times 32.2 \times E_{\text{perm.}}}{m_{\text{piston}} + m_{\text{load}}}}$$

Maximum permissible load:

$$m_{\text{load}} = \frac{2 \times 32.2 \times E_{\text{perm.}}}{v^2} - m_{\text{piston}}$$

Notes

m_{piston} equals mass of cylinder moving parts

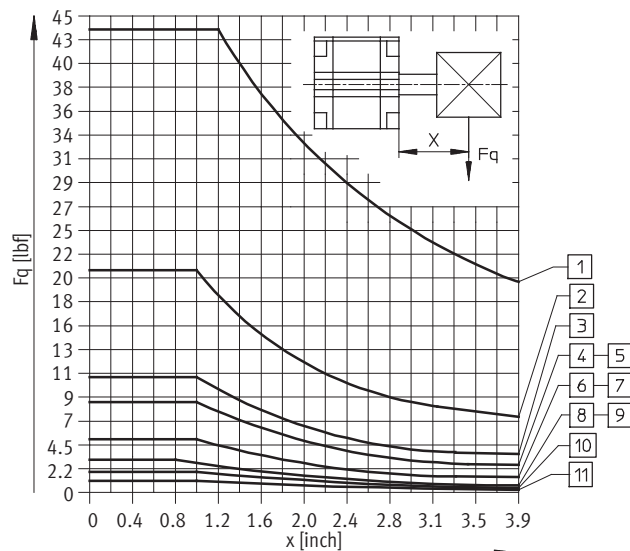
m_{load} equals mass of external load

This data represents the maximum values that can be achieved. Values fluctuate in practice relative to the size of the effective load. Allowance must also be made for the limits of the cushioning capacity of the drive and the permissible impact energy.

| Mass [lb] | | | | | | | | | | | |
|--|------|------|------|------|-------|-------|------|-------|------|------|------|
| Piston Ø | 1/2 | 5/8 | 3/4 | 1 | 1-1/4 | 1-5/8 | 2 | 2-1/2 | 3 | 4 | 5 |
| Product mass with 0 inch stroke | 0.19 | 0.19 | 0.33 | 0.40 | 0.66 | 0.96 | 1.24 | 2.34 | 3.91 | 6.17 | 7.56 |
| Additional mass per 1 inch stroke | 0.08 | 0.08 | 0.13 | 0.16 | 0.23 | 0.33 | 0.41 | 0.60 | 0.94 | 0.99 | 0.94 |
| Moving load with 0 inch stroke (m _{piston}) | 0.02 | 0.03 | 0.04 | 0.06 | 0.11 | 0.14 | 0.25 | 0.29 | 0.68 | 1.36 | 2.91 |
| Additional load per 1 inch stroke (m _{piston}) | 0.01 | 0.01 | 0.01 | 0.01 | 0.02 | 0.02 | 0.04 | 0.04 | 0.06 | 0.08 | 0.14 |

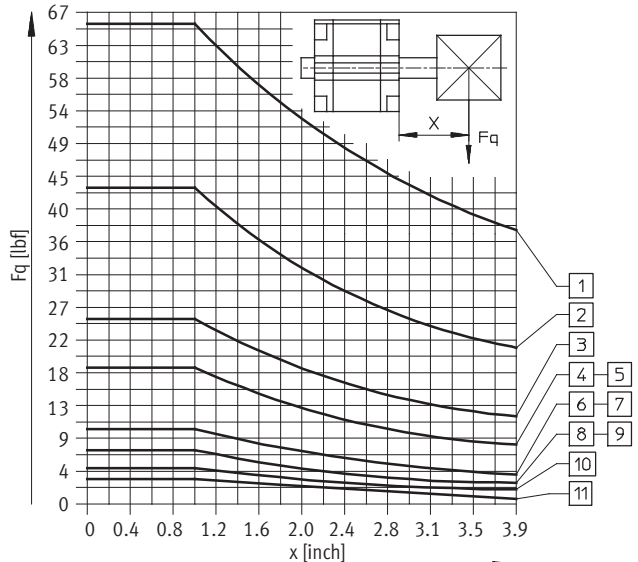
Max. Lateral Force F_q as a Function of the Projection x

Piston rod at one end



- 1 Ø 5 inch
- 2 Ø 4 inch
- 3 Ø 3 inch
- 4 Ø 2-1/2 inch
- 5 Ø 2 inch
- 6 Ø 1-5/8 inch
- 7 Ø 1-1/4 inch
- 8 Ø 1 inch

Through piston rod



- 9 Ø 3/4 inch
- 10 Ø 5/8 inch
- 11 Ø 1/2 inch

- 1 - Type discontinued
Available up until 2011

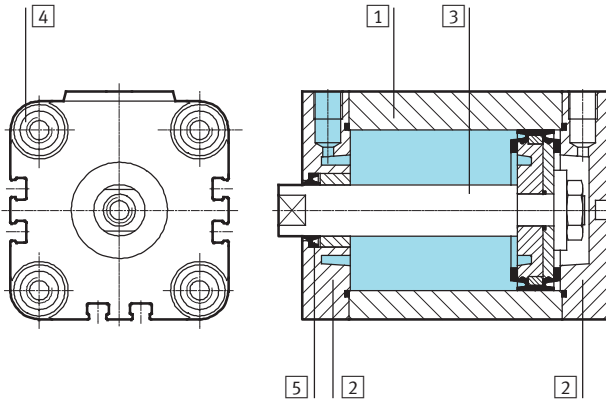
Compact cylinders ADVU – Inch Series

Technical data – Double-acting, basic version

FESTO

Materials

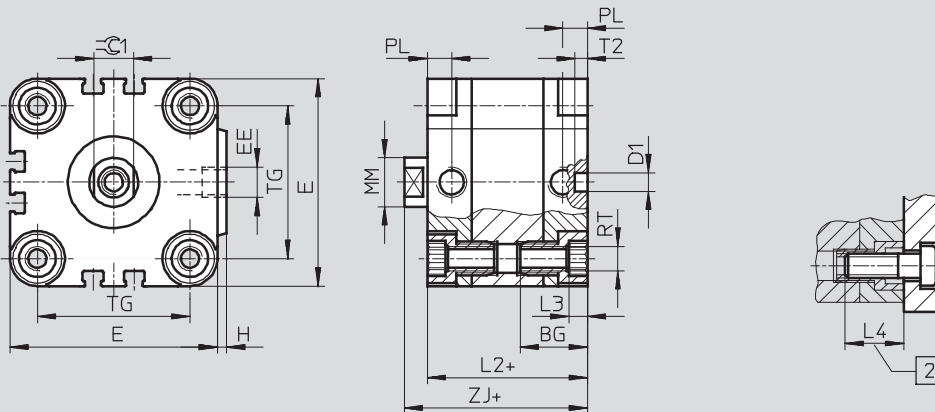
Sectional view



| Variants | Basic version | S6 |
|-------------------|------------------------|----------------------------|
| 1 Cylinder barrel | Wrought aluminum alloy | Wrought aluminum alloy |
| 2 End cap | Wrought aluminum alloy | Wrought aluminum alloy |
| 3 Piston rod | ∅ 1/2 ... 1-1/4 | High-alloy stainless steel |
| | ∅ 1-5/8 ... 5 | High-alloy steel |
| 4 Flange screws | ∅ 1/2 ... 5/8 | High-alloy stainless steel |
| | ∅ 3/4 ... 5 | Tempered steel |
| 5 Dynamic seals | Polyurethane | Fluorocarbon rubber |

Dimensions – Basic Cylinder

Piston ∅ 1/2 ... 4 inch



Note

To attach cylinder ∅ 1/2 and 5/8 inch from above, use only 2 screws diagonally or non-magnetic screws.

+ = plus stroke length

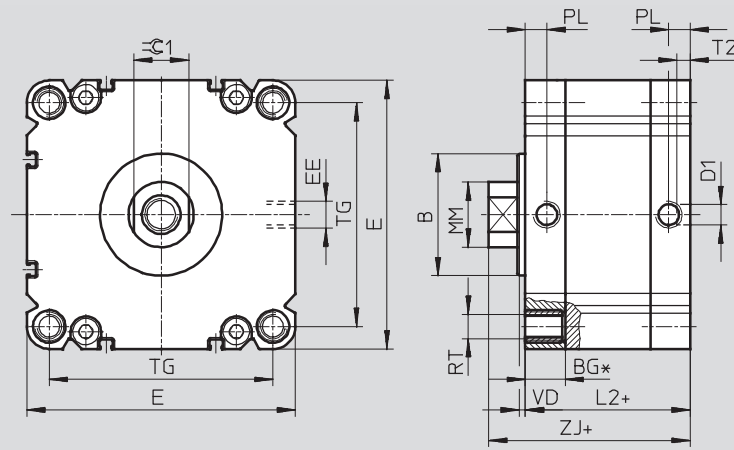
2 Minimum screw-in depth

Compact cylinders ADVU – Inch Series

Technical data – Double-acting, basic version

Dimensions – Basic Cylinder

Piston \varnothing 5 inch



* Minimum screw-in depth
0.7 inch.
Cannot be screwed through with
socket head screws.

+ = plus stroke length

| \varnothing [in] | B | BG | D1 \varnothing | E | EE | H | L2 | L3 | L4 | MM \varnothing | PL | RT | T2 | TG | VD | ZJ | $\varnothing C1$ [mm] |
|-----------------------|-----|-----|---------------------|-----|-----------|------|-----|-----|-----|---------------------|-----|-----|-----|-----|----|-----|--------------------------|
| 1/2 | - | 0.7 | 0.2 | 1.1 | 10-32 UNF | 0.04 | 1.5 | 0.1 | 0.6 | 0.2 | 0.3 | M4 | 0.2 | 0.7 | - | 1.7 | 5 |
| 5/8 | - | 0.7 | 0.2 | 1.1 | 10-32 UNF | 0.04 | 1.5 | 0.1 | 0.6 | 0.3 | 0.3 | M4 | 0.2 | 0.7 | - | 1.7 | 7 |
| 3/4 | - | 0.7 | 0.2 | 1.4 | 10-32 UNF | 0.06 | 1.5 | 0.2 | 0.7 | 0.4 | 0.3 | M5 | 0.2 | 0.9 | - | 1.7 | 9 |
| 1 | - | 0.7 | 0.2 | 1.6 | 10-32 UNF | 0.06 | 1.6 | 0.2 | 0.7 | 0.4 | 0.3 | M5 | 0.2 | 1.0 | - | 1.8 | 9 |
| 1-1/4 | - | 0.8 | 0.2 | 2.0 | 1/8" NPT | 0.08 | 1.8 | 0.2 | 0.8 | 0.5 | 0.3 | M6 | 0.2 | 1.3 | - | 2.0 | 10 |
| 1-5/8 | - | 0.8 | 0.2 | 2.4 | 1/8" NPT | 0.10 | 1.8 | 0.2 | 0.8 | 0.5 | 0.3 | M6 | 0.2 | 1.7 | - | 2.0 | 10 |
| 2 | - | 0.9 | 0.2 | 2.7 | 1/8" NPT | 0.12 | 1.8 | 0.2 | 0.8 | 0.6 | 0.3 | M8 | 0.2 | 2.0 | - | 2.1 | 13 |
| 2-1/2 | - | 1.0 | 0.3 | 3.4 | 1/8" NPT | 0.16 | 2.0 | 0.3 | 1.0 | 0.6 | 0.3 | M10 | 0.2 | 2.4 | - | 2.3 | 13 |
| 3 | - | 1.1 | 0.3 | 4.2 | 1/8" NPT | 0.16 | 2.2 | 0.3 | 1.0 | 0.8 | 0.3 | M10 | 0.2 | 3.2 | - | 2.5 | 17 |
| 4 | - | 1.3 | 0.3 | 5.0 | 1/4" NPT | 0.20 | 2.6 | 0.3 | 1.0 | 1.0 | 0.4 | M10 | 0.2 | 4.1 | - | 3.0 | 22 |
| 5 | 2.4 | 0.8 | 0.4 | 5.2 | 1/4" NPT | - | 3.2 | - | 0.7 | 1.3 | 0.4 | M12 | 0.2 | 4.3 | - | 3.9 | 27 |

Dimensions are in inches, unless otherwise noted.

- 1 - Type discontinued
Available up until 2011

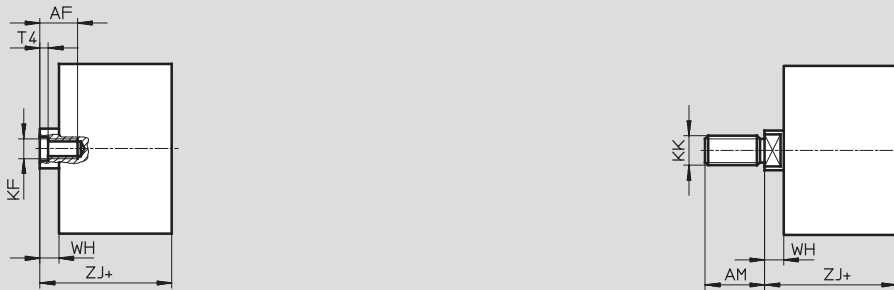
Compact cylinders ADVU – Inch Series

FESTO

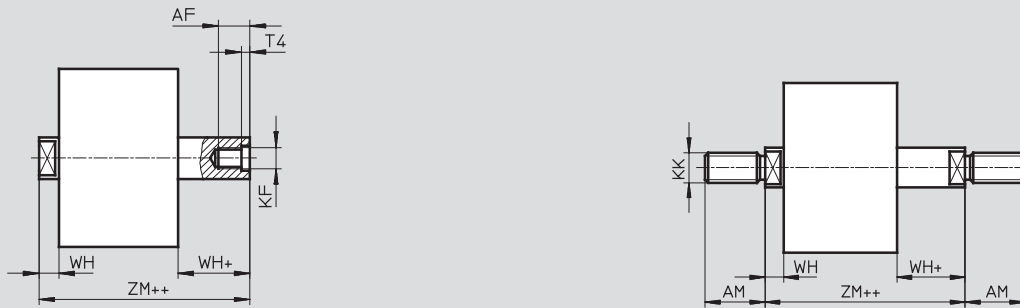
Technical data – Double-acting, basic version

Dimensions – Variants

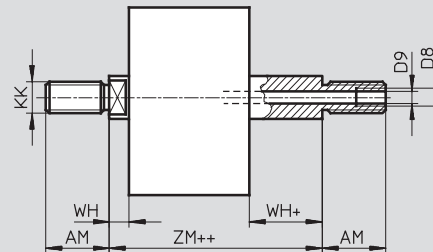
Basic version



S2 – Through piston rod



S20 – Through, hollow piston rod (only Piston Ø 1/2 ... 4 inch)



+ = plus stroke length
++ = plus 2x stroke length

| Ø [in] | AF | AM | D8 | D9 Ø | KF | KK | T4 | WH | ZJ | ZM |
|---------------------|-------------------|-----|----------|---------|----------------|----------------|-----|-----|-----|-----|
| 1/2 | 0.3 | 0.6 | – | 0.1 | 4-48 UNF-2B | 10-32 UNF-2A | 0.1 | 0.2 | 1.7 | 1.9 |
| 5/8 | 0.4 | 0.8 | – | 0.1 | 8-36 UNF-2B | 5/16-24 UNF-2A | 0.1 | 0.2 | 1.7 | 1.9 |
| 3/4 ²⁾ | 0.5 | 0.9 | – | 0.1 | 10-32 UNF-2B | 3/8-24 UNF-2A | 0.1 | 0.2 | 1.7 | 1.9 |
| 1 ²⁾ | 0.5 | 0.9 | – | 0.1 | 10-32 UNF-2B | 3/8-24 UNF-2A | 0.1 | 0.2 | 1.8 | 2.0 |
| 1-1/4 ²⁾ | 0.6 | 0.9 | – | 0.2 | 1/4-28 UNF-2B | 3/8-24 UNF-2A | 0.1 | 0.2 | 2.0 | 2.2 |
| 1-5/8 ²⁾ | 0.6 | 0.9 | – | 0.2 | 1/4-28 UNF-2B | 3/8-24 UNF-2A | 0.1 | 0.3 | 2.0 | 2.3 |
| 2 ²⁾ | 0.6 | 0.9 | – | 0.2 | 5/16-24 UNF-2B | 1/2-20 UNF-2A | 0.1 | 0.3 | 2.1 | 2.4 |
| 2-1/2 ²⁾ | 0.6 | 0.9 | – | 0.2 | 5/16-24 UNF-2B | 1/2-20 UNF-2A | 0.1 | 0.3 | 2.3 | 2.6 |
| 3 ²⁾ | 0.8 ¹⁾ | 1.3 | 1/8" NPT | 0.3 | 3/8-24 UNF-2B | 5/8-18 UNF-2A | 0.2 | 0.3 | 2.5 | 2.8 |
| 4 ²⁾ | 0.9 ¹⁾ | 1.6 | 1/4" NPT | 0.5 | 1/2-20 UNF-2B | 3/4-16 UNF-2A | 0.2 | 0.4 | 3.0 | 3.4 |
| 5 ²⁾ | 1.0 ¹⁾ | 2.1 | – | – | 5/8-18 UNF-2B | 1-12 UNF-2A | 0.3 | 0.7 | 3.9 | 4.6 |

- 1) With a stroke < 0.2 inch, the maximum screw-in depth is reduced by 0.2 inch.
- 2) Nut for piston rod thread included in scope of delivery.

Dimensions are in inches, unless otherwise noted.

- 1 - Type discontinued
Available up until 2011

Compact cylinders ADVU – Inch Series

FESTO

Ordering Data

| M Mandatory Data | | | | | | O Options | |
|------------------|---|-------------|-------------------|------------|-----------------------------|--------------------|-----------------------|
| Function | Piston Ø | Stroke | Piston Rod Thread | Cushioning | Magnet for position sensing | Type of piston rod | Temperature Resistant |
| ADVU | 1/2 5/8 3/4 1 1 1/4 1 5/8 2 2 1/2 3 4 5 | 0.04 ... 16 | - A | P | A | S2 S20 | S6 S26 |
| ADVU | 1 | 6 | | P | A | S26 | |

| Ordering Table | | | | | | | | | | | | | | |
|-----------------------------|--|-----|-----|-------------|-------|-------|-------------|-------|---|---|---|------------|------|------------|
| Size | 1/2 | 5/8 | 3/4 | 1 | 1 1/4 | 1 5/8 | 2 | 2 1/2 | 3 | 4 | 5 | Conditions | Code | Enter code |
| M Function | Double-acting Cylinder | | | | | | | | | | | ADVU | ADVU | |
| Piston Ø [in] | 1/2 | 5/8 | 3/4 | 1 | 1 1/4 | 1 5/8 | 2 | 2 1/2 | 3 | 4 | 5 | -... | | |
| Stroke [in] | 0.04 ... 8 | | | 0.04 ... 13 | | | 0.04 ... 16 | | | | | | -... | |
| Piston Rod Thread | Female | | | | | | | | | | | - | | |
| | Male | | | | | | | | | | | -A | | |
| Cushioning | Flexible cushioning rings at both ends | | | | | | | | | | | -P | -P | |
| Magnet for position sensing | For use with magnetic proximity sensor | | | | | | | | | | | -A | -A | |
| O Type of piston rod | Through piston rod | | | | | | | | | | | -S2 | | |
| | Through, Hollow Piston Rod | | | | | | | | | | | [1] | -S20 | |
| Temperature resistant | Heat-resistant seals up to max. 302 °F | | | | | | | | | | | | -S6 | |
| | Through piston rod, heat resistant up to max. 302 °F | | | | | | | | | | | [2] | -S26 | |

[1] Not in combination with S6

[2] S2 in combination with S6 equals S26

Transfer order code

ADVU - - - - P - A -

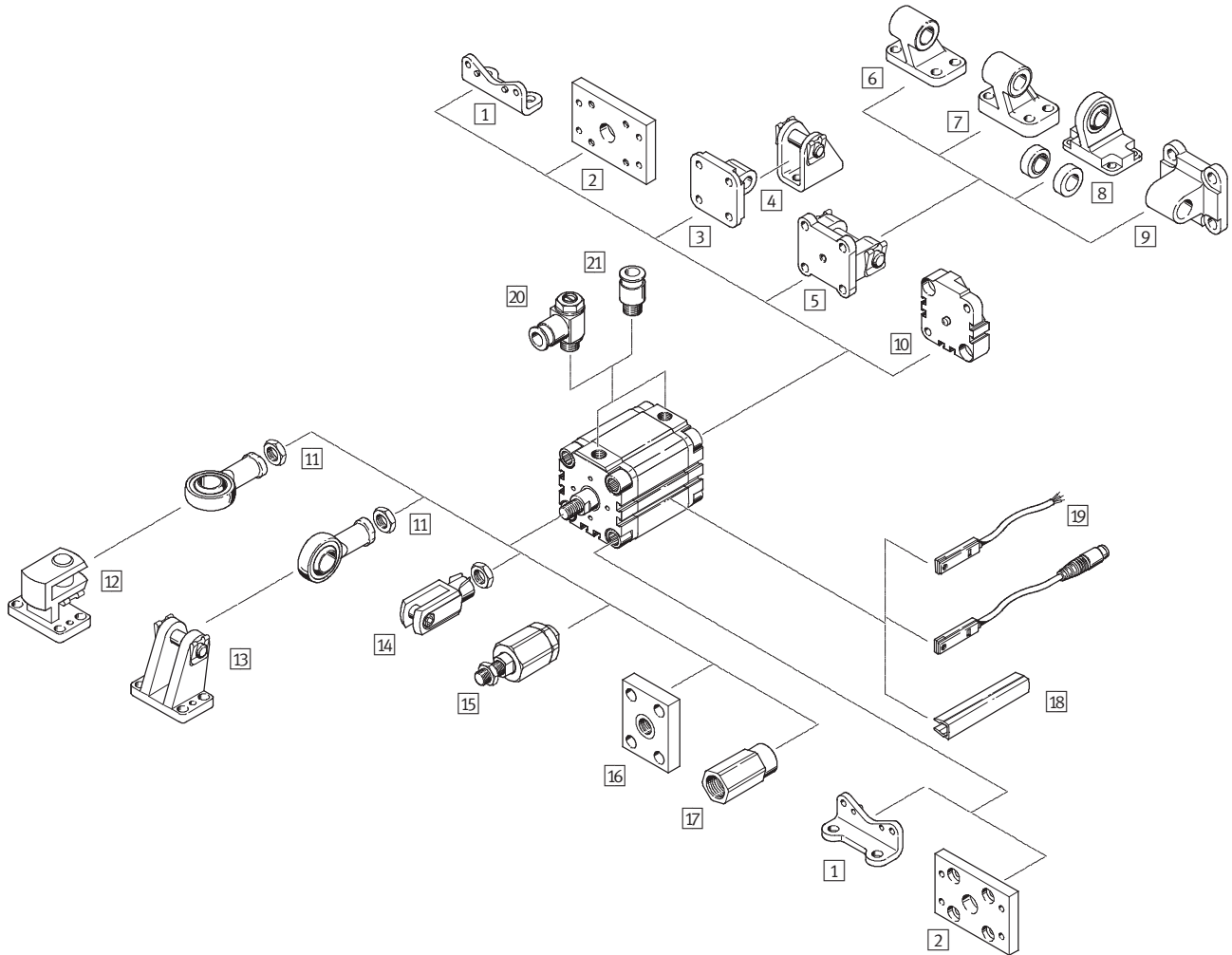
- 1 - Type discontinued
Available up until 2011

Compact cylinders ADVU – Inch Series

Accessories overview

FESTO

Piston \varnothing 1/2 ... 4 Inch



Compact cylinders ADVU – Inch Series

Accessories overview

| Mounting Attachments and Accessories | | Description | Basic | S2/S20 | → Page |
|--------------------------------------|---|--|-------|--------|--------|
| 1 | Foot mounting HUA | For bearing and end cap | ■ | ■ | 12 |
| 2 | Flange mounting FUA | For bearing or end cap | ■ | ■ | 13 |
| 3 | Swivel flange SUA for \varnothing 1/2 ... 1 | For end cap | ■ | – | 14 |
| 4 | Clevis foot LBN | – | ■ | – | 19 |
| 5 | Swivel flange SUA for \varnothing 1-1/4 ... 4 | For end cap | ■ | – | 14 |
| 6 | Clevis foot LN | – | ■ | – | 19 |
| 7 | Clevis foot LNG | – | ■ | – | 19 |
| 8 | Clevis foot LSN | With spherical bearing | ■ | – | 19 |
| 9 | Swivel flange SNCL | – | ■ | – | 19 |
| 10 | Adapter kit DPVU | For connecting two cylinders with identical piston \varnothing to form a multi-position cylinder | ■ | – | 18 |
| 11 | Rod eye SGS | With spherical bearing | ■ | ■ | 20 |
| 12 | Clevis foot, lateral LQG | – | ■ | ■ | 19 |
| 13 | Clevis foot LBG | – | ■ | ■ | 19 |
| 14 | Rod clevis SG | Permits a swivelling movement of the cylinder in one plane | ■ | ■ | 20 |
| 15 | Self-aligning rod coupler FK | For compensating radial and angular deviations | ■ | ■ | 20 |
| 16 | Coupling piece KSZ | For cylinders with non-rotating piston rod for compensating radial deviations | – | – | 20 |
| 17 | Adapter AD | For vacuum generator | – | ■ S20 | – |
| 18 | Slot cover ABP-5-S | For protecting the sensor cable and keeping dirt out of the sensor slots | ■ | ■ | 22 |
| 19 | Proximity sensor SME/SMT-8 | Can be integrated in the cylinder profile barrel | ■ | ■ | 22 |
| 20 | One-way flow control valve GRLA/GRLZ | For speed regulation | ■ | ■ | 21 |
| 21 | Push-in fitting QS | For connecting compressed air tubing with standard O.D. | ■ | ■ | 21 |

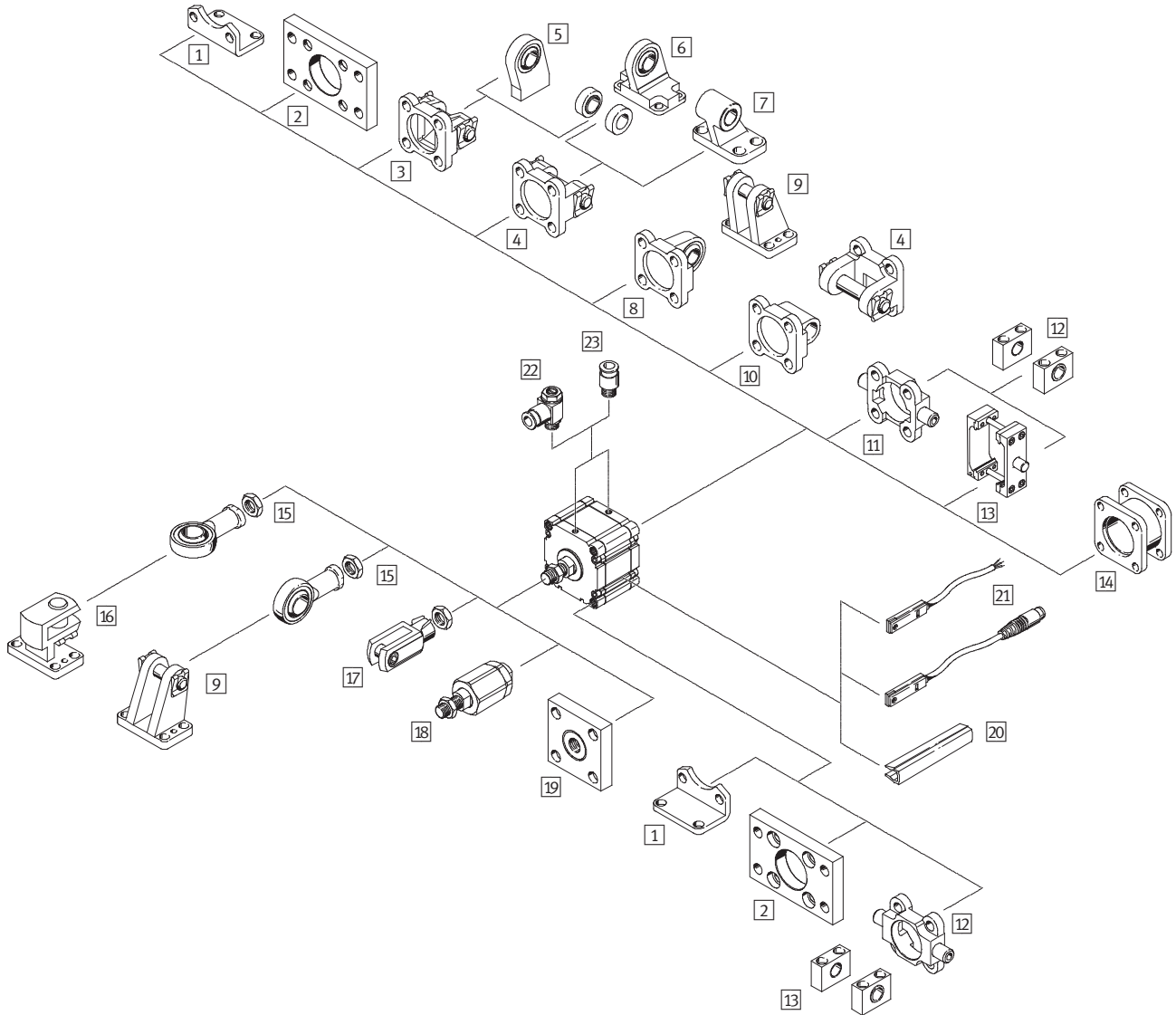
- 1 - Type discontinued
Available up until 2011

Compact cylinders ADVU – Inch Series

Accessories overview

FESTO

Piston \varnothing 5 Inch



Compact cylinders ADVU – Inch Series

Accessories overview

FESTO

| Mounting Attachments and Accessories | | | | |
|--------------------------------------|--------------------------------------|-------|----|--------|
| | Description | Basic | S2 | → Page |
| 1 | Foot mounting HNC | ■ | ■ | 12 |
| 2 | Flange mounting FNC | ■ | ■ | 13 |
| 3 | Swivel flange SNC | ■ | – | 15 |
| 4 | Swivel flange SNCB | ■ | – | 15 |
| 5 | Clevis foot LSNSG | ■ | – | 19 |
| 6 | Clevis foot LSN | ■ | – | 19 |
| 7 | Clevis foot LN | ■ | – | 19 |
| 8 | Swivel flange SNCS | ■ | – | 16 |
| 9 | Clevis foot LBG | ■ | ■ | 19 |
| 10 | Swivel flange SNCL | ■ | – | 16 |
| 11 | Trunnion flange ZNCF | ■ | ■ | 17 |
| 12 | Trunnion support LNZG | ■ | ■ | 19 |
| 13 | Trunnion mounting kit ZNCM | ■ | ■ | 17 |
| 14 | Adapter kit DPNC | ■ | ■ | 18 |
| 15 | Rod eye SGS | ■ | ■ | 20 |
| 16 | Clevis foot, lateral LQG | ■ | ■ | 19 |
| 17 | Rod clevis SG | ■ | ■ | 20 |
| 18 | Self-aligning rod coupler FK | ■ | ■ | 20 |
| 19 | Coupling piece KSZ | ■ | ■ | 20 |
| 20 | Slot cover ABP-5-S | ■ | ■ | 22 |
| 21 | Proximity sensor SME/SMT-8 | ■ | ■ | 22 |
| 22 | One-way flow control valve GRLA/GRLZ | ■ | ■ | 21 |
| 23 | Push-in fitting QS | ■ | ■ | 21 |

- 1 - Type discontinued
Available up until 2011

Compact cylinders ADVU – Inch Series

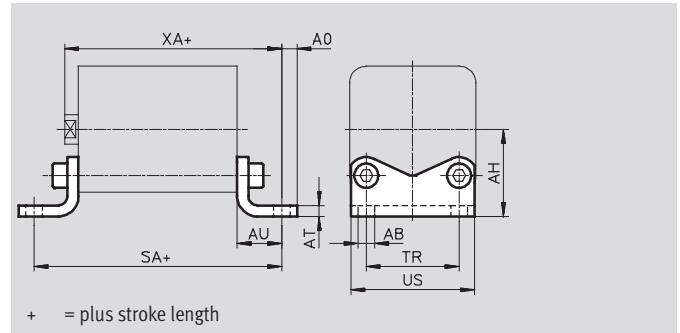
Accessories

FESTO

Foot mounting HUA
for piston \varnothing 1/2 ... 4 inch

Foot mounting HNC
for piston \varnothing 5 inch
(not illustrated)

Material:
HUA/HNC: Galvanized steel



| Dimensions and Ordering Data | | | | | | | | | | | | | |
|------------------------------|---------------------|-----|-----|-----|-----|-----|-----|-----|-----|----------------|-------------------|----------|-----------|
| For \varnothing | AB \varnothing | AH | AO | AT | AU | SA | TR | US | XA | Weight [oz] | Basic version | | |
| | | | | | | | | | | | CRC ¹⁾ | Part No. | Type |
| 1/2, 5/8 | 0.22 | 0.9 | 0.2 | 0.1 | 0.5 | 2.5 | 0.7 | 1.1 | 2.2 | 1.38 | 2 | 157309 | HUA-12/16 |
| 3/4 | 0.26 | 1.1 | 0.2 | 0.2 | 0.6 | 2.8 | 0.9 | 1.3 | 2.3 | 2.75 | 2 | 157310 | HUA-20 |
| 1 | 0.26 | 1.1 | 0.2 | 0.2 | 0.6 | 2.8 | 1.0 | 1.5 | 2.4 | 3.17 | 2 | 157311 | HUA-25 |
| 1-1/4 | 0.26 | 1.3 | 0.3 | 0.2 | 0.7 | 3.2 | 1.3 | 1.9 | 2.7 | 5.47 | 2 | 157312 | HUA-32 |
| 1-5/8 | 0.35 | 1.6 | 0.3 | 0.2 | 0.8 | 3.4 | 1.7 | 2.3 | 2.8 | 7.09 | 2 | 157313 | HUA-40 |
| 2 | 0.35 | 1.9 | 0.3 | 0.2 | 0.9 | 3.7 | 2.0 | 2.6 | 3.0 | 11.08 | 2 | 157314 | HUA-50 |
| 2-1/2 | 0.43 | 2.2 | 0.5 | 0.2 | 1.1 | 4.1 | 2.4 | 3.3 | 3.3 | 19.40 | 2 | 157315 | HUA-63 |
| 3 | 0.43 | 2.7 | 0.5 | 0.3 | 1.2 | 4.6 | 3.2 | 4.1 | 3.7 | 29.10 | 2 | 157316 | HUA-80 |
| 4 | 0.53 | 3.2 | 0.5 | 0.3 | 1.3 | 5.2 | 4.1 | 5.0 | 4.3 | 37.04 | 2 | 157317 | HUA-100 |
| 5 | 0.65 | 3.5 | 0.9 | 0.3 | 1.8 | 6.7 | 3.5 | 5.2 | 5.7 | 65.08 | 2 | 174375 | HNC-125 |

1) Corrosion resistance class 2 according to Festo standard 940 070
Components with moderate corrosion resistance for use in normal industrial environments subjected to contact with coolants or lubricating agents.

Dimensions are in inches, unless otherwise noted.

Compact cylinders ADVU – Inch Series

Accessories

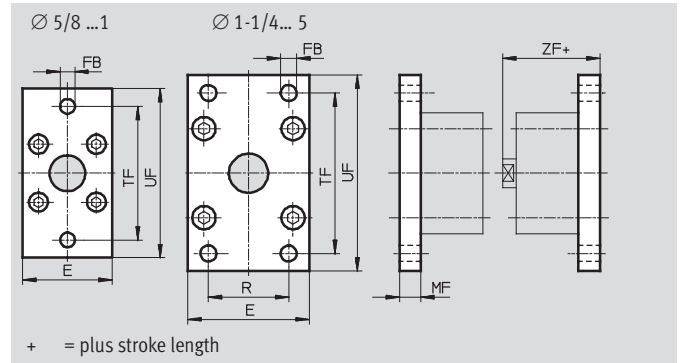
Flange mounting FUA
for piston \varnothing 1/2 ... 4 inch

Flange mounting FNC
for piston \varnothing 5 inch
(not illustrated)

Material:

FUA: Clear anodized aluminum

FNC: Galvanized steel



| Dimensions and Ordering Data | | | | | | | | | | | |
|------------------------------|-----|---------------------|-----|-----|-----|-----|-----|-------------------|----------------|----------|-----------------------|
| For \varnothing | E | FB \varnothing | MF | R | TF | UF | ZF | CRC ²⁾ | Weight [oz] | Part No. | Type |
| 1/2, 5/8 | 1.1 | 0.2 | 0.4 | – | 1.7 | 2.2 | 2.1 | 2 | 1.69 | 157299 | FUA-12/16 |
| 3/4 | 1.4 | 0.3 | 0.4 | – | 2.2 | 2.8 | 2.1 | 2 | 2.54 | 157300 | FUA-20 |
| 1 | 1.6 | 0.3 | 0.4 | – | 2.4 | 3.0 | 2.2 | 2 | 3.07 | 157301 | FUA-25 |
| 1-1/4 | 2.0 | 0.3 | 0.4 | 1.3 | 2.6 | 3.1 | 2.4 | 2 | 4.13 | 157302 | FUA-32 |
| 1-5/8 | 2.4 | 0.4 | 0.4 | 1.4 | 3.2 | 4.0 | 2.4 | 2 | 6.35 | 157303 | FUA-40 |
| 2 | 2.7 | 0.4 | 0.5 | 1.8 | 3.5 | 4.3 | 2.6 | 2 | 9.38 | 157304 | FUA-50 |
| 2-1/2 | 3.4 | 0.4 | 0.6 | 2.0 | 4.3 | 5.1 | 2.9 | 2 | 19.40 | 157305 | FUA-63 |
| 3 | 4.2 | 0.5 | 0.6 | 2.5 | 5.3 | 6.3 | 3.0 | 2 | 26.28 | 157306 | FUA-80 |
| 4 | 5.0 | 0.6 | 0.6 | 3.0 | 6.4 | 7.5 | 3.6 | 2 | 36.51 | 157307 | FUA-100 |
| 5 | 5.2 | 0.6 | 0.8 | 3.5 | 7.1 | 8.3 | 4.7 | 2 | 132.28 | 174382 | FNC-125 ¹⁾ |

1) Free of copper, PTFE and silicone

2) Corrosion resistance class 2 according to Festo standard 940 070

Components with moderate corrosion resistance for use in normal industrial environments subjected to contact with coolants or lubricating agents.

Dimensions are in inches, unless otherwise noted.

- 1 - Type discontinued
Available up until 2011

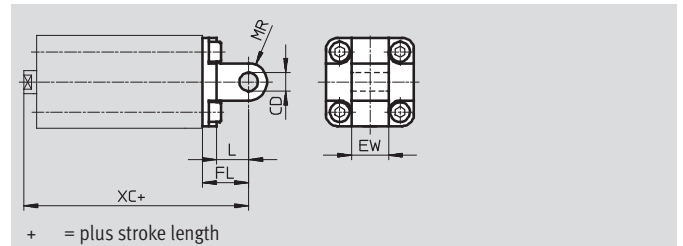
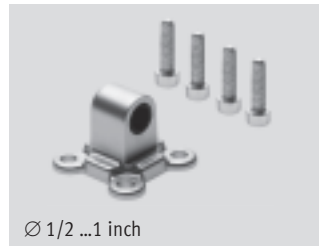
Compact cylinders ADVU – Inch Series

FESTO

Accessories

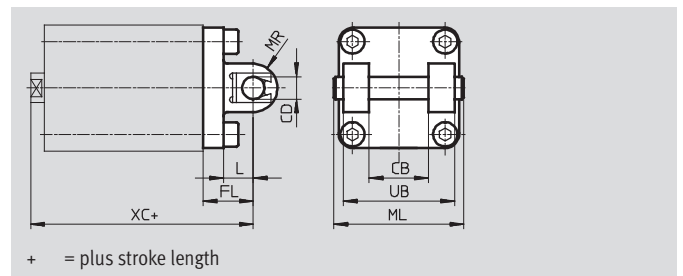
Swivel flange SUA
for piston \varnothing 1/2 ... 1 inch

Material:
SUA: Anodized aluminum



for piston \varnothing 1-1/4 ... 4 inch

Material:
SUA: Anodized aluminum



| Dimensions and Ordering Data | | | | | | | | | | | | |
|------------------------------|-----|---------------------|-----|-----|-----|-----|-----|-----|-----|----------------|---------------|-----------|
| For \varnothing | CB | CD \varnothing | EW | FL | L | ML | MR | UB | XC | Weight [oz] | Basic version | |
| | | | | | | | | | | | Part No. | Type |
| 1/2, 5/8 | – | 0.2 | 0.5 | 0.6 | 0.4 | – | 0.2 | – | 2.3 | 1.5 | 157319 | SUA-12/16 |
| 3/4 | – | 0.3 | 0.6 | 0.8 | 0.6 | – | 0.3 | – | 2.5 | 2.8 | 157320 | SUA-20 |
| 1 | – | 0.3 | 0.6 | 0.8 | 0.6 | – | 0.3 | – | 2.6 | 3.0 | 157321 | SUA-25 |
| 1-1/4 | 1.0 | 0.4 | – | 0.9 | 0.5 | 2.1 | 0.4 | 1.8 | 2.9 | 7.3 | 157322 | SUA-32 |
| 1-5/8 | 1.1 | 0.5 | – | 1.0 | 0.6 | 2.4 | 0.5 | 2.0 | 3.0 | 11.3 | 157323 | SUA-40 |
| 2 | 1.3 | 0.5 | – | 1.1 | 0.6 | 2.8 | 0.5 | 2.4 | 3.1 | 15.4 | 157324 | SUA-50 |
| 2-1/2 | 1.6 | 0.6 | – | 1.3 | 0.8 | 3.2 | 0.6 | 2.8 | 3.5 | 26.8 | 157325 | SUA-63 |
| 3 | 2.0 | 0.6 | – | 1.4 | 0.9 | 4.0 | 0.6 | 3.5 | 3.9 | 42.0 | 157326 | SUA-80 |
| 4 | 2.4 | 0.8 | – | 1.6 | 1.0 | 5.0 | 0.8 | 4.3 | 4.6 | 67.0 | 157327 | SUA-100 |

Note
Do not exceed the maximum overall stroke length listed when combining cylinders and swivel flanges.

| For \varnothing | Max. stroke length [in] |
|-------------------|-------------------------|
| 1/2 | 2 |
| 5/8 | 2 |
| 3/4 | 2 |
| 1 | 2 |
| 1-1/4 | 4 |

| For \varnothing | Max. stroke length [in] |
|-------------------|-------------------------|
| 1-5/8 | 4 |
| 2 | 4 |
| 2-1/2 | 4 |
| 3 | 6 |
| 4 | 6 |

Dimensions are in inches, unless otherwise noted.

- 2 - Type discontinued
Available up until 2011

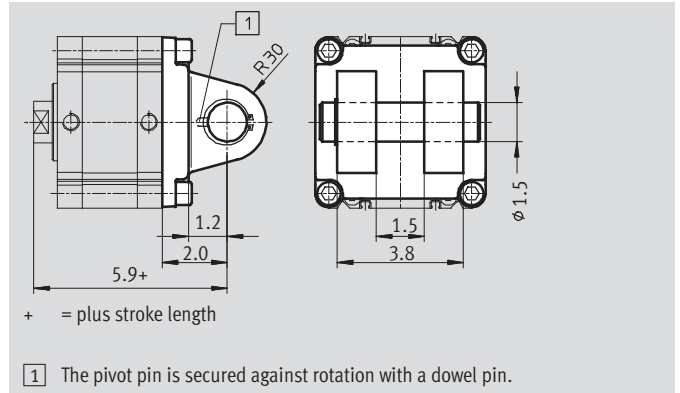
FESTO

Compact cylinders ADVU – Inch Series

Accessories

Swivel flange SNC-125 for piston \varnothing 5 inch

Material:
Wrought aluminum alloy

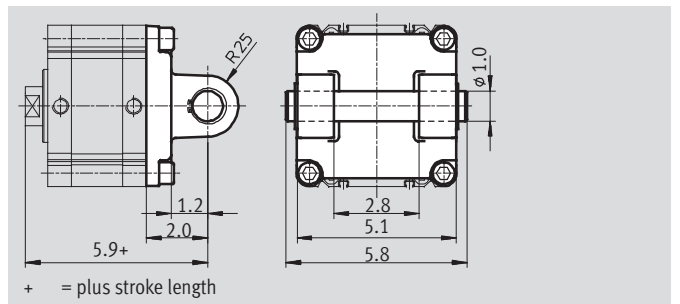


| Ordering Data | | | | |
|-------------------|-------------------|----------------|---------------|---------|
| For \varnothing | CRC ¹⁾ | Weight [oz] | Basic version | |
| | | | Part No. | Type |
| 5 | 2 | 6.3 | 174389 | SNC-125 |

1) Corrosion resistance class 2 according to Festo standard 940 070
Components with moderate corrosion resistance for use in normal industrial environments subjected to contact with coolants or lubricating agents.

Swivel flange SNCB-125 for piston \varnothing 5 inch

Material:
SNCB-125: Wrought aluminum alloy
Free of copper, PTFE and silicone



| Ordering Data | | | |
|-------------------|----------------|---------------|----------|
| For \varnothing | Weight [oz] | Basic version | |
| | | Part No. | Type |
| 5 | 63.0 | 174396 | SNCB-125 |

Dimensions are in inches, unless otherwise noted.

- 1 - Type discontinued
Available up until 2011

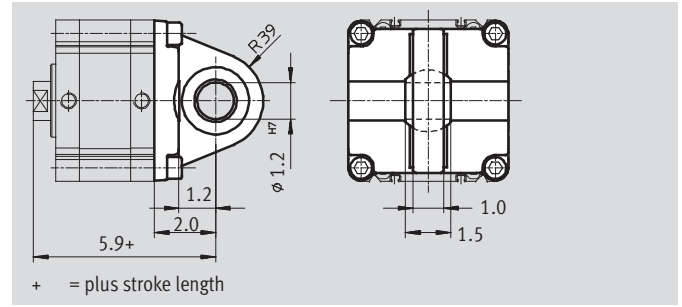
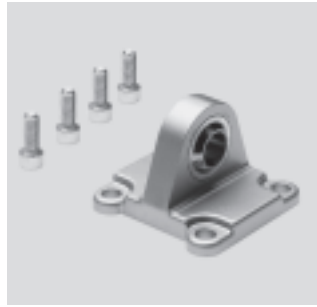
Compact cylinders ADVU – Inch Series

Accessories

FESTO

Swivel flange SNCS-125 for piston Ø 5 inch

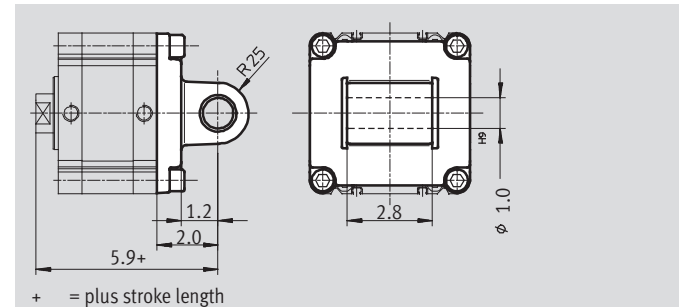
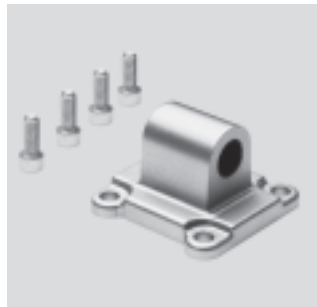
Material:
Wrought aluminum alloy



| Ordering Data | | | |
|---------------|----------------|---------------|----------|
| For Ø | Weight [oz] | Basic version | |
| | | Part No. | Type |
| 5 | 49.7 | 174403 | SNCS-125 |


Swivel flange SNCL-125 for piston Ø 5 inch

Material:
Wrought aluminum alloy



| Ordering Data | | | |
|---------------|---------------|---------------|----------|
| For Ø | Weight [g] | Basic version | |
| | | Part No. | Type |
| 5 | 43.9 | 174410 | SNCL-125 |

Dimensions are in inches, unless otherwise noted.

-  - Type discontinued
Available up until 2011

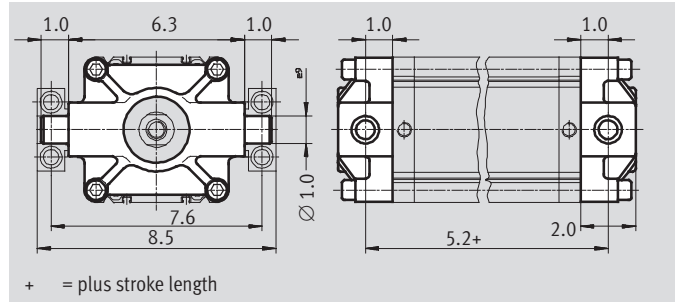
FESTO

Compact cylinders ADVU – Inch Series

Accessories

Trunnion flange ZNCF-125 for piston Ø 5 inch

Material:
High-alloy stainless steel
Free of copper, PTFE and silicone

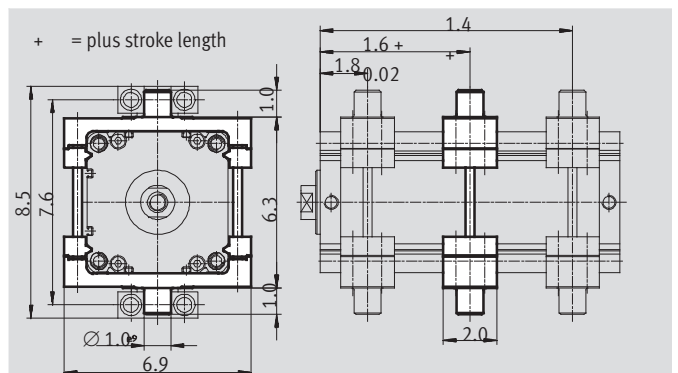


| Ordering Data | | | |
|---------------|----------------|---------------|----------|
| For Ø | Weight [oz] | Basic version | |
| | | Part No. | Type |
| 5 | 123.1 | 174417 | ZNCF-125 |

Trunnion mounting kit ZNCM-125 for piston Ø 5 inch

Material:
Tempered steel

Note
The trunnion mounting kit can be attached to the cylinder profile barrel at any position.



| Ordering Data | | | | |
|---------------|-------------------|----------------|---------------|----------|
| For Ø | CRC ¹⁾ | Weight [oz] | Basic version | |
| | | | Part No. | Type |
| 5 | 2 | 103.7 | 163531 | ZNCM-125 |

1) Corrosion resistance class 2 according to Festo standard 940 070
Components with moderate corrosion resistance for use in normal industrial environments subjected to contact with coolants or lubricating agents.

Dimensions are in inches, unless otherwise noted.

- 1 - Type discontinued
Available up until 2011

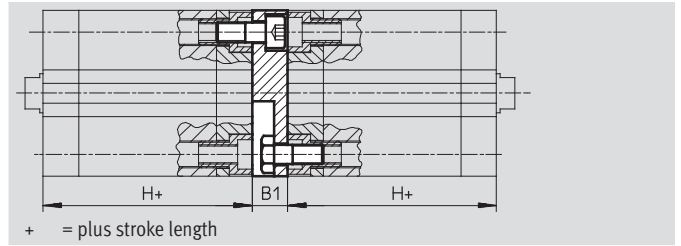
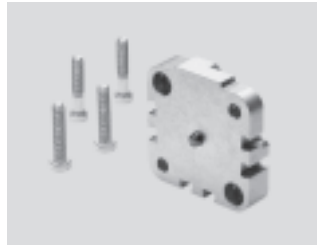
Compact cylinders ADVU – Inch Series

FESTO

Accessories

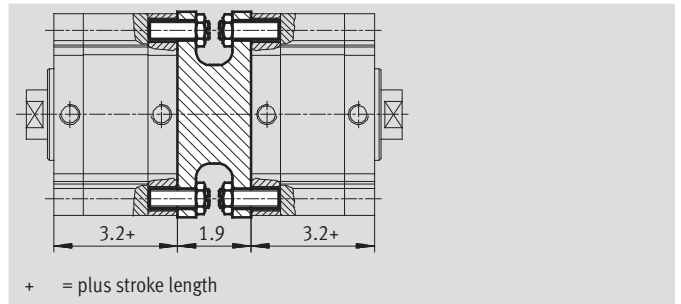
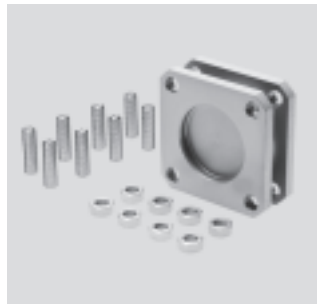
Adapter kit DPVU for piston \varnothing 1/2 ... 4 inch

Material:
Aluminum
Free of copper, PTFE and silicone



Adapter kit DPNC for piston \varnothing 5 inch

Material:
Flange: Wrought aluminum alloy
Threaded pins, hex nuts: Galvanized steel



Note
Do not exceed the maximum overall stroke length listed when combining cylinders and the adapter kit.

| Dimensions and Ordering Data | | | | | | | |
|------------------------------|-----|-----|---------------------------------|-------------------|-------------|----------|------------|
| For \varnothing | B1 | H | Max. overall stroke length [in] | CRC ¹⁾ | Weight [oz] | Part No. | Type |
| 1/2, 5/8 | 0.5 | 1.5 | 15.7 | 2 | 0.78 | 161194 | DPVU-12/16 |
| 3/4 | 0.5 | 1.5 | 15.7 | 2 | 1.27 | 161195 | DPVU-20 |
| 1 | 0.5 | 1.6 | 15.7 | 2 | 1.55 | 161196 | DPVU-25 |
| 1-1/4 | 0.6 | 1.8 | 23.6 | 2 | 3.17 | 161197 | DPVU-32 |
| 1-5/8 | 0.6 | 1.8 | 23.6 | 2 | 4.83 | 161198 | DPVU-40 |
| 2 | 0.6 | 1.8 | 23.6 | 2 | 6.24 | 161199 | DPVU-50 |
| 2-1/2 | 0.6 | 2.0 | 23.6 | 2 | 10.86 | 161200 | DPVU-63 |
| 3 | 0.6 | 2.2 | 31.5 | 2 | 17.46 | 161201 | DPVU-80 |
| 4 | 0.8 | 2.6 | 31.5 | 2 | 30.30 | 161202 | DPVU-100 |
| 5 | 1.9 | 3.2 | 39.4 | | 56.44 | 174424 | DPNC-125 |

1) Corrosion resistance class 2 according to Festo standard 940 070
Components with moderate corrosion resistance for use in normal industrial environments subjected to contact with coolants or lubricating agents.

Connecting two Cylinders with Identical Piston \varnothing as a 3 or 4-position Cylinder

A 3 or 4-position cylinder consists of two separate cylinders whose piston rods advance in opposing directions.

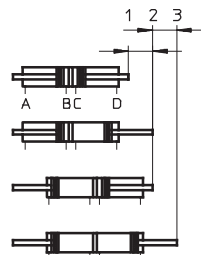
Depending upon actuation and stroke pattern, this type of cylinder can assume up to four positions. In each

case the cylinder is driven precisely against a stop. If one end of the piston rod is fixed, the cylinder barrel

executes the movement. The cylinder must be connected with flexible line connections.

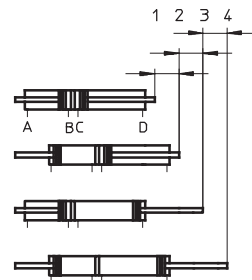
Implementing 3 positions

Two cylinders with identical stroke length must be connected to accomplish this.




Implementing 4 positions

Two cylinders with different stroke lengths must be connected to accomplish this.




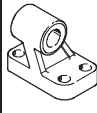
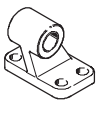
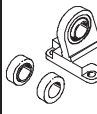
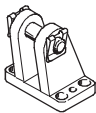
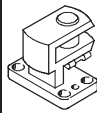
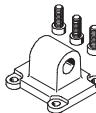

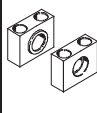
Dimensions are in inches, unless otherwise noted.

 Type discontinued
Available up until 2011

FESTO

Compact cylinders ADVU – Inch Series

Accessories


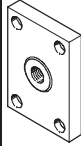
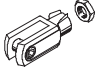
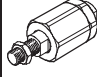
| Ordering Data – Mounting Attachments | | | | Technical data → www.festo.com/catalog/ctype or <order code> | | | |
|---|----------------------|----------|-----------|---|----------------------|----------|--------------|
| Designation | For Ø [in] | Part No. | Type | Designation | For Ø [in] | Part No. | Type |
| Clevis foot LBN | | | | Clevis foot LNG | | | |
|  | 1/2 | 6058 | LBN-12/16 |  | 1-1/4 | 33890 | LNG-32 |
| | 5/8 | 6058 | LBN-12/16 | | 5/8 | 33891 | LNG-40 |
| | 3/4 | 6059 | LBN-20/25 | | 2 | 33892 | LNG-50 |
| | 1 | 6059 | LBN-20/25 | | 2-1/2 | 33893 | LNG-63 |
| | | | | | 3 | 33894 | LNG-80 |
| | | | | 4 | 33895 | LNG-100 | |
| Clevis foot LN | | | | Clevis foot LSN | | | |
|  | 1-1/4 | 5147 | LN-32 |  | 1-1/4 | 5561 | LSN-32 |
| | 1-5/8 | 5148 | LN-40 | | 1-5/8 | 5562 | LSN-40 |
| | 2 | 5149 | LN-50 | | 2 | 5563 | LSN-50 |
| | 2-1/2 | 5150 | LN-63 | | 2-1/2 | 5564 | LSN-63 |
| | 3 | 5151 | LN-80 | | 3 | 5565 | LSN-80 |
| | 4 | 5152 | LN-100 | 4 | 5566 | LSN-100 | |
| | 9036 | LN-125 | | 6987 | LSN-125 | | |
| Clevis foot LBG | | | | Clevis foot, lateral LQG | | | |
|  | 3/4, 1, 1-1/4, 1-5/8 | 31761 | LBG-32 |  | 3/4, 1, 1-1/4, 1-5/8 | 31768 | LQG-32 |
| | 2, 2-1/2 | 31762 | LBG-40 | | 2, 2-1/2 | 31769 | LQG-40 |
| | 3 | 31763 | LBG-50 | | 3 | 31770 | LQG-50 |
| | | 31764 | LBG-63 | | | 31771 | LQG-63 |
| | 4 | 31765 | LBG-80 | | 4 | 31772 | LQG-80 |
| | | 31766 | LBG-100 | 31773 | | LQG-100 | |
| 5 | 31767 | LBG-125 | 5 | 31774 | LQG-125 | | |
| Swivel flange SNCL | | | | Clevis foot LSNSG | | | |
|  | 1-1/4 | 174404 | SNCL-32 |  | 5 | 31753 | LSNSG-125 |
| | 1-5/8 | 174405 | SNCL-40 | | | | |
| | 2 | 174406 | SNCL-50 | | | | |
| | 2-1/2 | 174407 | SNCL-63 | | | | |
| | 3 | 174408 | SNCL-80 | | | | |
| | 4 | 174409 | SNCL-100 | | | | |
| 5 | 174410 | SNCL-125 | | | | | |
| | | | | Trunnion support LNZG | | | |
| | | | |  | 5 | 32962 | LNZG-100/125 |
| | | | | | | | |


- 1 - Type discontinued
Available up until 2011

Compact cylinders ADVU – Inch Series

Accessories

FESTO

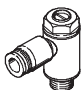

| Ordering Data – Piston Rod Attachments | | | | Technical data → www.festo.com/catalog/ctype or <order code> | | | |
|---|------------|----------|-----------------|---|------------|----------|----------------|
| Designation | For Ø [in] | Part No. | Type | Designation | For Ø [in] | Part No. | Type |
| Rod eye SGS | | | | Coupling piece KSZ | | | |
|  | 1/2 | 532694 | SGS-10-32 |  | 1/2 | - | |
| | 5/8 | | | | 5/8 | - | |
| | 3/4 | 532695 | SGS-5/16-24 | | 3/4 | - | |
| | 1 | 532696 | SGS-3/8-24 | | 1 | 36129 | KSZ-3/8-24-UNF |
| | 1-1/4 | 532696 | SGS-3/8-24 | | 1-1/4 | 36129 | KSZ-3/8-24-UNF |
| | 1-5/8 | 532697 | SGS-1/2-20 | | 1-5/8 | 36130 | KSZ-1/2-20-UNF |
| | 2 | 532698 | SGS-5/8-18 | | 2 | 36131 | KSZ-5/8-18-UNF |
| | 2-1/2 | | | | 2-1/2 | - | |
| | 3 | 532699 | SGS-3/4-16 | | 3 | 36132 | KSZ-3/4-16-UNF |
| | 4 | | | | 4 | | |
| 5 | 532700 | SGS-1-12 | 5 | - | | | |
| Rod clevis SG | | | | Self-aligning rod coupler FK | | | |
|  | 1/2 | 546552 | SG-UNF10-32-B |  | 1/2 | 532703 | FK-10-32 |
| | 5/8 | | | | 5/8 | | |
| | 3/4 | 546574 | SG-UNF5/16-24-B | | 3/4 | 532704 | FK-5/16-24 |
| | 1 | 546540 | SG-UNF3/8-24-B | | 1 | 532705 | FK-3/8-24 |
| | 1-1/4 | 546545 | SG-UNF1/2-20-B | | 1-1/4 | 532705 | FK-3/8-24 |
| | 1-5/8 | | | | 1-5/8 | 532706 | FK-1/2-20 |
| | 2 | 546575 | SG-UNF5/8-18-B | | 2 | 532707 | FK-5/8-18 |
| | 2-1/2 | | | | 2-1/2 | | |
| | 3 | 546576 | SG-UNF3/4-16-B | | 3 | 532708 | FK-3/4-16 |
| | 4 | | | | 4 | | |
| 5 | - | - | 5 | 532709 | FK-1-12 | | |


 Type discontinued
Available up until 2011

Compact cylinders ADVU – Inch Series

Accessories

FESTO

| Ordering Data – One-way Flow Control Valves | | | Technical data → www.festo.com/catalog/ctype or <order code> | | |
|---|-----------|------|---|----------|--------------------------|
| Connection | Thread | | For tubing OD | Part No. | Type |
| | | | | | |
| For exhaust air | | | | | |
|  | 10-32 UNF | 5/32 | | 165008 | GRLA-10-32-UNF-QS-5/32-U |
| | | 1/4 | | 192753 | GRLA-10-32-UNF-QS-1/4-U |
| | 1/8" NPT | 5/32 | | 165009 | GRLA-1/8-NPT-QS-5/32-U |
| | | 3/16 | | 190941 | GRLA-1/8-NPT-QS-3/16-U |
| | | 1/4 | | 165010 | GRLA-1/8-NPT-QS-1/4-U |
| | | 5/16 | | 165013 | GRLA-1/8-NPT-QS-5/16-U |
| | 1/4" NPT | 3/16 | | 190944 | GRLA-1/4-NPT-QS-3/16-U |
| | | 1/4 | | 165011 | GRLA-1/4-NPT-QS-1/4-U |
| | | 5/16 | | 165014 | GRLA-1/4-NPT-QS-5/16-U |
| | | 3/8 | | 190947 | GRLA-1/4-NPT-QS-3/8-U |
| For supply air | | | | | |
|  | 10-32-UNF | – | | 151576 | GRLZ-10-UNF-B |
| | | 3/16 | | 151579 | GRLZ-10-UNF-RS-B |
| | | 1/4 | | 151577 | GRLZ-10-UNF-3/16-B |
| | | 1/4 | | 151578 | GRLZ-10-UNF-1/4-B |
| | 1/8" NPT | – | | 151561 | GRLZ-1/8-NPT-B |
| | | 1/4 | | 151564 | GRLZ-1/8-NPT-RS-B |
| | | 1/4 | | 151562 | GRLZ-1/8-NPT-1/4-B |
| | | 3/8 | | 151563 | GRLZ-1/8-NPT-3/8-B |

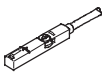
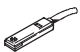
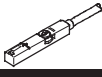
| Ordering Data – Push-in Fittings QB, NPT Thread | | | | Technical Data → www.festo.com/catalog/QB | | | |
|---|-----------|--------|---------------------|---|---------------|--------|---------------|
| For tubing O.D. [in] | 10/32 UNF | | 1/8NPT | | 1/4NPT | | |
| | Part No. | Type | Part No. | Type | Part No. | Type | |
| With external hex | | | | | | | |
|  | 1/8 | 533266 | QB-10-32-UNF-1/8-U | 533270 | QB-1/8-1/8-U | – | |
| | 5/32 | 533267 | QB-10-32-UNF-5/32-U | 533271 | QB-1/8-5/32-U | – | |
| | 3/16 | 533268 | QB-10-32-UNF-3/16-U | 533272 | QB-1/8-3/16-U | 533275 | QB-1/4-3/16-U |
| | 1/4 | 533269 | QB-10-32-UNF-1/4-U | 533273 | QB-1/8-1/4-U | 533276 | QB-1/4-1/4-U |
| | 5/16 | – | – | 533274 | QB-1/8-5/16-U | 533277 | QB-1/4-5/16-U |
| | 3/8 | – | – | – | – | 533278 | QB-1/4-3/8-U |
| | 1/2 | – | – | – | – | – | – |

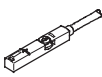
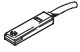
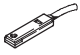
- 1 - Type discontinued
Available up until 2011



Compact cylinders ADVU – Inch Series

Accessories

FESTO

| Ordering Data – Proximity Switches for T-slot, Magneto-resistive | | | | | Technical data → www.festo.com/catalog/sm | |
|---|--|---------------|-----------------------|--------------------------------|---|--------------------------------|
| | Type of mounting | Switch output | Electrical connection | Cable length [m] | Part No. | Type |
| N/O contact | | | | | | |
|  | Insertable in the slot from above, flush with cylinder profile | PNP | Cable, 3-wire | 2.5 | 543867 | SMT-8M-PS-24V-K-2,5-OE |
| | | | Plug M8x1, 3-pin | 0.3 | 543866 | SMT-8M-PS-24V-K-0,3-M8D |
| | | | Plug M12x1, 3-pin | 0.3 | 543869 | SMT-8M-PS-24V-K-0,3-M12 |
| | | NPN | Cable, 3-wire | 2.5 | 543870 | SMT-8M-NS-24V-K-2,5-OE |
| Plug M8x1, 3-pin | 0.3 | | 543871 | SMT-8M-NS-24V-K-0,3-M8D | | |
|  | Insertable in the slot lengthwise, flush with the cylinder profile | PNP | Cable, 3-wire | 2.5 | 175436 | SMT-8-PS-K-LED-24-B |
| | | | Plug M8x1, 3-pin | 0.3 | 175484 | SMT-8-PS-S-LED-24-B |
| N/C contact | | | | | | |
|  | Insertable in the slot from above, flush with cylinder profile | PNP | Cable, 3-wire | 7.5 | 543873 | SMT-8M-PO-24V-K7,5-OE |

| Ordering Data – Proximity Switches for T-slot, Magnetic Reed | | | | | Technical data → www.festo.com/catalog/sm | |
|---|--|---------------|-----------------------|------------------|---|--------------------------------|
| | Type of mounting | Switch output | Electrical connection | Cable length [m] | Part No. | Type |
| N/O contact | | | | | | |
|  | Insertable in the slot from above, flush with cylinder profile | Contacting | Cable, 3-wire | 2.5 | 543862 | SME-8M-DS-24V-K-2,5-OE |
| | | | Cable, 3-wire | 5.0 | 543863 | SME-8M-DS-24V-K-5,0-OE |
| | | | Plug M8x1, 3-pin | 0.3 | 543872 | SME-8M-ZS-24V-K-2,5-OE |
| | | | Plug M8x1, 3-pin | 0.3 | 543861 | SME-8M-DS-24V-K-0,3-M8D |
|  | Insertable in the slot lengthwise, flush with the cylinder profile | Contacting | Cable, 3-wire | 2.5 | 150855 | SME-8-K-LED-24 |
| | | | Plug M8x1, 3-pin | 0.3 | 150857 | SME-8-S-LED-24 |
| N/C contact | | | | | | |
|  | Insertable in the slot lengthwise, flush with the cylinder profile | Contacting | Cable, 3-wire | 7.5 | 160251 | SME-8-O-K-LED-24 |

| Ordering Data – Connecting Cables | | | | Technical data → www.festo.com/catalog/nebu | |
|---|-------------------------------|------------------------------|------------------|---|-----------------------------|
| | Electrical connection, left | Electrical connection, right | Cable length [m] | Part No. | Type |
|  | Straight socket, M8x1, 3-pin | Cable, open end, 3-wire | 2.5 | 541333 | NEBU-M8G3-K-2.5-LE3 |
| | | | 5.0 | 541334 | NEBU-M8G3-K-5-LE3 |
| | Straight socket, M12x1, 5-pin | Cable, open end, 3-wire | 2.5 | 541363 | NEBU-M12G5-K-2.5-LE3 |
| | | | 5.0 | 541364 | NEBU-M12G5-K-5-LE3 |
|  | Angled socket, M8x1, 3-pin | Cable, open end, 3-wire | 2.5 | 541338 | NEBU-M8W3-K-2.5-LE3 |
| | | | 5.0 | 541341 | NEBU-M8W3-K-5-LE3 |
| | Angled socket, M12x1, 5-pin | Cable, open end, 3-wire | 2.5 | 541367 | NEBU-M12W5-K-2.5-LE3 |
| | | | 5.0 | 541370 | NEBU-M12W5-K-5-LE3 |

| Ordering Data – Slot Cover for T-slot | | | Part No. | Type |
|---|-----------------------|-------------|---------------|----------------|
| | Assembly | Length [ft] | | |
|  | Insertable from above | 2x 1.6 | 151680 | ABP-5-S |

Product Range and Company Overview

A Complete Suite of Automation Services

Our experienced engineers provide complete support at every stage of your development process, including: conceptualization, analysis, engineering, design, assembly, documentation, validation, and production.



Custom Automation Components
Complete custom engineered solutions



Custom Control Cabinets
Comprehensive engineering support and on-site services



Complete Systems
Shipment, stocking and storage services

The Broadest Range of Automation Components

With a comprehensive line of more than 30,000 automation components, Festo is capable of solving the most complex automation requirements.



Electromechanical
Electromechanical actuators, motors, controllers & drives



Pneumatics
Pneumatic linear and rotary actuators, valves, and air supply



PLCs and I/O Devices
PLC's, operator interfaces, sensors and I/O devices

Supporting Advanced Automation... As No One Else Can!

Festo is a leading global manufacturer of pneumatic and electromechanical systems, components and controls for industrial automation, with more than 12,000 employees in 56 national headquarters serving more than 180 countries. For more than 80 years, Festo has continuously elevated the state of manufacturing with innovations and optimized motion control solutions that deliver higher performing, more profitable automated manufacturing and processing equipment. Our dedication to the advancement of automation extends beyond technology to the education and development of current and future automation and robotics designers with simulation tools, teaching programs, and on-site services.

Quality Assurance, ISO 9001 and ISO 14001 Certifications

Festo Corporation is committed to supply all Festo products and services that will meet or exceed our customers' requirements in product quality, delivery, customer service and satisfaction.

To meet this commitment, we strive to ensure a consistent, integrated, and systematic approach to management that will meet or exceed the requirements of the ISO 9001 standard for Quality Management and the ISO 14001 standard for Environmental Management.



© Copyright 2008, Festo Corporation. While every effort is made to ensure that all dimensions and specifications are correct, Festo cannot guarantee that publications are completely free of any error, in particular typing or printing errors. Accordingly, Festo cannot be held responsible for the same. For Liability and Warranty conditions, refer to our "Terms and Conditions of Sale", available from your local Festo office. All rights reserved. No part of this publication may be reproduced, distributed, or transmitted in any form or by any means, electronic, mechanical, photocopying or otherwise, without the prior written permission of Festo. All technical data subject to change according to technical update.



Printed on recycled paper at New Horizon Graphic, Inc., FSC certified as an environmentally friendly printing plant.

Festo North America

Festo Regional Contact Center

5300 Explorer Drive
Mississauga, Ontario L4W 5G4
Canada

USA Customers:

For ordering assistance,
Call: 1.800.99.FESTO (1.800.993.3786)
Fax: 1.800.96.FESTO (1.800.963.3786)
Email: customer.service@us.festo.com

For technical support,
Call: 1.866.GO.FESTO (1.866.463.3786)
Fax: 1.800.96.FESTO (1.800.963.3786)
Email: product.support@us.festo.com

Canadian Customers:

Call: 1.877.GO.FESTO (1.877.463.3786)
Fax: 1.877.FX.FESTO (1.877.393.3786)
Email: festo.canada@ca.festo.com

USA Headquarters

Festo Corporation
395 Moreland Road
P.O. Box 18023
Hauppauge, NY 11788, USA
www.festo.com/us

USA Sales Offices

Appleton

North 922 Tower View Drive, Suite N
Greenville, WI 54942, USA

Boston

120 Presidential Way, Suite 330
Woburn, MA 01801, USA

Chicago

1441 East Business Center Drive
Mt. Prospect, IL 60056, USA

Dallas

1825 Lakeway Drive, Suite 600
Lewisville, TX 75057, USA

Detroit – Automotive Engineering Center

2601 Cambridge Court, Suite 320
Auburn Hills, MI 48326, USA

New York

395 Moreland Road
Hauppauge, NY 11788, USA

Silicon Valley

4935 Southfront Road, Suite F
Livermore, CA 94550, USA

United States



USA Headquarters, East: Festo Corp., 395 Moreland Road, Hauppauge, NY 11788
Phone: 1.631.435.0800; Fax: 1.631.435.8026;
Email: info@festo-usa.com www.festo.com/us

Canada



Headquarters: Festo Inc., 5300 Explorer Drive, Mississauga, Ontario L4W 5G4
Phone: 1.905.624.9000; Fax: 1.905.624.9001;
Email: festo.canada@ca.festo.com www.festo.ca

Mexico



Headquarters: Festo Pneumatic, S.A., Av. Ceylán 3, Col. Tequesquihuac,
54020 Tlalneantla, Edo. de México
Phone: 011 52 [55] 53 21 66 00; Fax: 011 52 [55] 53 21 66 65;
Email: festo.mexico@mx.festo.com www.festo.com/mx

Central USA

Festo Corporation
1441 East Business
Center Drive
Mt. Prospect, IL 60056, USA
Phone: 1.847.759.2600
Fax: 1.847.768.9480



Western USA

Festo Corporation
4935 Southfront Road,
Suite F
Livermore, CA 94550, USA
Phone: 1.925.371.1099
Fax: 1.925.245.1286



Festo Worldwide

Argentina Australia Austria Belarus Belgium Brazil Bulgaria Canada Chile China Colombia Croatia Czech Republic Denmark
Estonia Finland France Germany Great Britain Greece Hong Kong Hungary India Indonesia Iran Ireland Israel Italy Japan Latvia
Lithuania Malaysia Mexico Netherlands New Zealand Norway Peru Philippines Poland Romania Russia Serbia Singapore
Slovakia Slovenia South Africa South Korea Spain Sweden Switzerland Taiwan Thailand Turkey Ukraine United States Venezuela

www.festo.com