

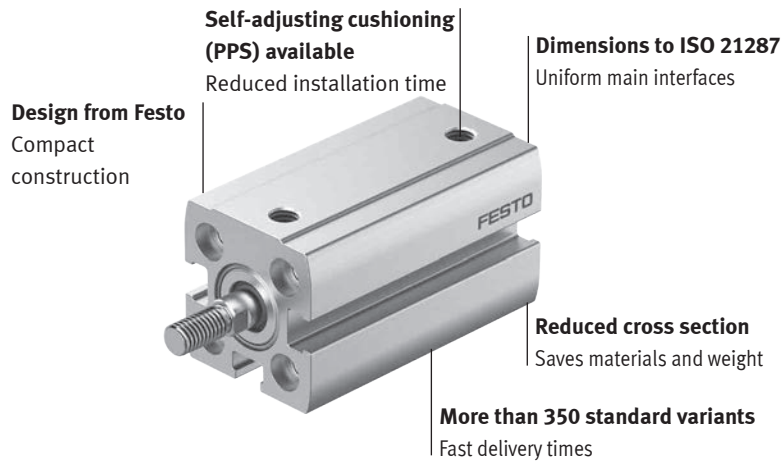
## Compact cylinders ADN-C, ISO 21287

**FESTO**



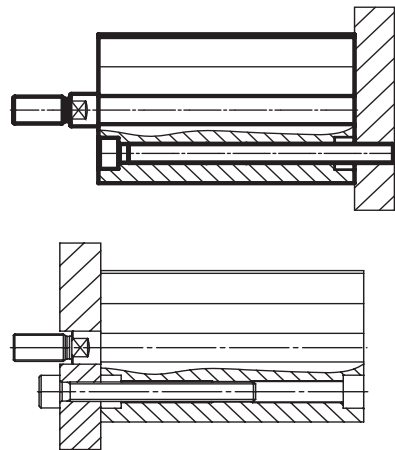
## Key features

### At a glance

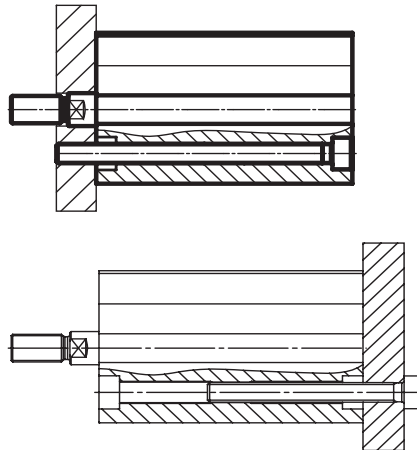



### Mounting options

From the front



From the rear



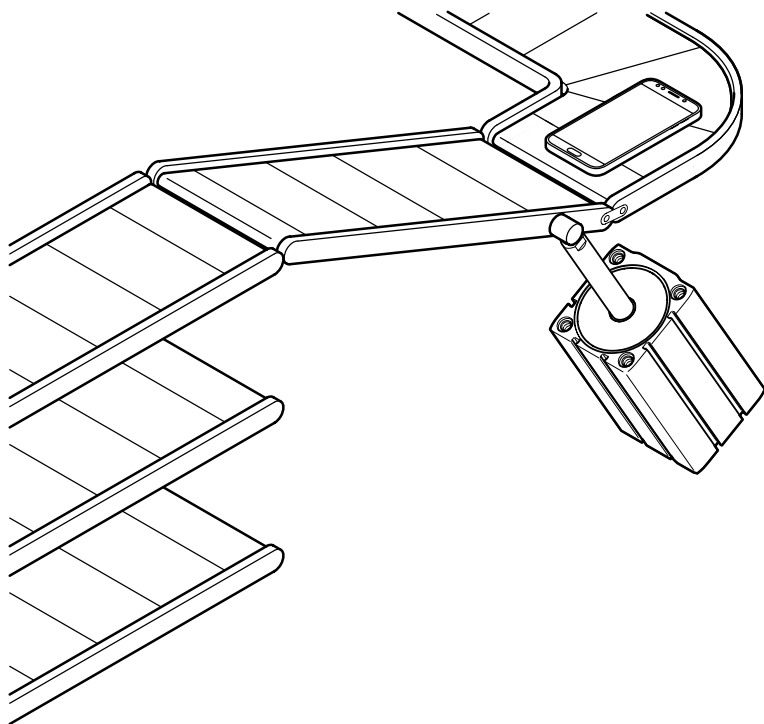
 **Note**

Diameter 12 ... 80 mm: hole pattern conforms to ISO 21287

## Key features

### Application example

Moving conveyors



## Type codes

001	Series	
ADN	Compact cylinder, double-acting, based on ISO 21287	

002	Piston diameter	
12	12	
16	16	
20	20	
25	25	
32	32	
40	40	
50	50	
63	63	
80	80	

003	Stroke	
5	5	
10	10	
15	15	
20	20	
25	25	
30	30	
35	35	
40	40	
50	50	
60	60	
70	70	
80	80	

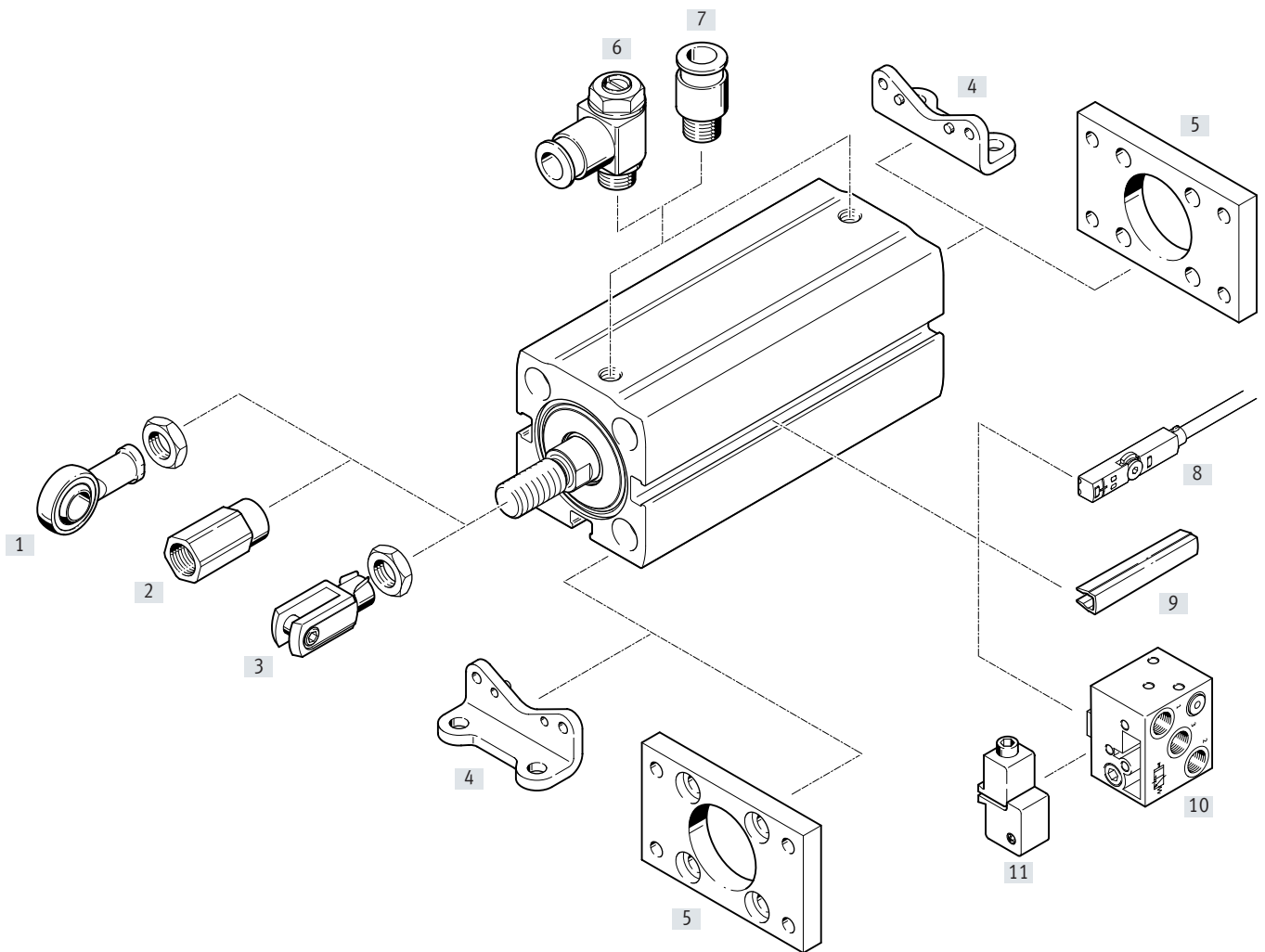
004	Piston rod thread type	
A	Male thread	
I	Female thread	

005	Cushioning	
P	Elastic cushioning rings/plates on both sides	
PPS	Pneumatic cushioning, self-adjusting at both ends	

006	Position sensing	
A	For proximity sensor	

007	Generation	
C	C series	

Peripherals overview

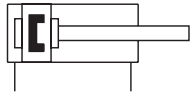


Accessories			
Type/order code	Description		→ Page/Internet
[1] Rod eye SGS/CRSGS	With spherical bearing		15
[2] Adapter AD	For mounting a suction cup on a hollow piston rod		15
[3] Rod clevis SG/CRSG	Permits a swivelling movement of the cylinder in one plane		15
[4] Foot mounting HNA	For bearing or end caps		16
[5] Flange mounting FNC	For bearing or end caps		17
[6] One-way flow control valve GRLA/GRLZ	For regulating speed		18
[7] Push-in fitting QS	For connecting compressed air tubing with standard O.D.		qs
[8] Proximity sensor SMT-8M/CRSMT-8M SDBT-MS	Can be integrated in the cylinder profile barrel		18
Position transmitter SDAS-MHS/SDAT-MHS SMAT-8M			19
[9] Slot cover ABP-5	For protecting the sensor cables and the sensor slots from contamination		19
[10] Proximity sensor SMPO-8E	Pneumatic output signal		19
[11] Mounting kit SMB-8E	For proximity sensor SMPO-8E		19

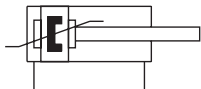
## Data sheet

## Function

ADN-...-P-A-C



ADN-...-PPS-A-C



∅ - Diameter  
12 ... 80 mm

- | - Stroke length  
5 ... 80 mm



## General technical data

Piston diameter	12	16	20	25	32	40	50	63	80
Design	Piston Piston rod								
Mode of operation	Double-acting								
Pneumatic connection	M5				G1/8				
Piston rod end	Male thread Female thread								
Piston rod thread									
[A] Male thread	M5	M6	M8	M8	M10x1.25	M10x1.25	M12x1.25	M12x1.25	M16x1.5
[I] Female thread	M3	M4	M6	M6	M8	M8	M10	M10	M12
Stroke									
[P] [mm]	5 ... 60	5 ... 70	5 ... 80				10 ... 80		
[PPS] [mm]	-		10 ... 70	10 ... 80					
Cushioning									
[P]	Elastic cushioning rings/plates at both ends								
[PPS]	- Self-adjusting pneumatic end-position cushioning								
Cushioning length									
[PPS] [mm]	-		3	3.5	4	5	6	7	7.5
Position sensing	For proximity sensor								
Type of mounting	Via through-hole Via female thread Via accessories								
Mounting position	Any								

## Operating and environmental conditions

Piston diameter	12	16	20	25	32	40	50	63	80
Conforms to standard	ISO 21287								
Operating pressure									
[P] [MPa]	0.1 ... 1		0.06 ... 1			0.06 ... 1	0.04 ... 1		
[PPS] [MPa]	-		0.15 ... 1			0.1 ... 1			
[P] [bar]	1 ... 10		0.6 ... 10			0.6 ... 10	0.4 ... 10		
[PPS] [bar]	-		1.5 ... 10			1 ... 10			
Operating medium	Compressed air to ISO 8573-1:2010 [7:4:4]								
Note on operating/pilot medium	Lubricated operation possible (in which case lubricated operation will always be required)								
Ambient temperature <sup>1)</sup> [°C]	-20 ... +80								
Corrosion resistance class CRC <sup>2)</sup>	2								

1) Note operating range of proximity sensors

2) Corrosion resistance class CRC 2 to Festo standard FN 940070

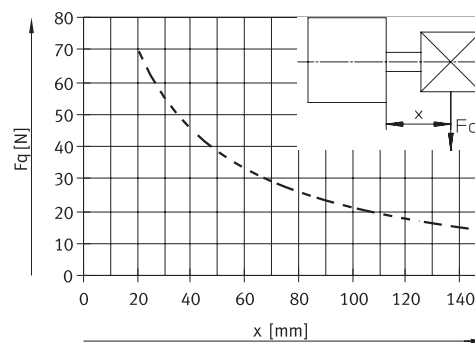
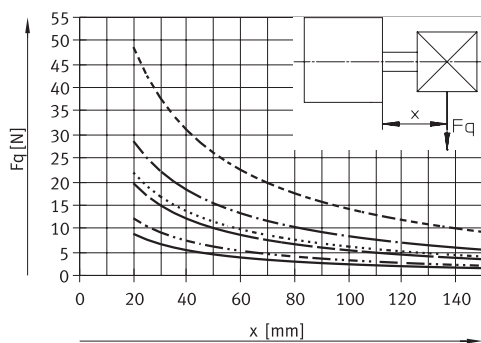
Moderate corrosion stress. Indoor applications in which condensation can occur. External visible parts with primarily decorative surface requirements which are in direct contact with a normal industrial environment.

Data sheet

Forces [N] and impact energy [J]									
Piston diameter	12	16	20	25	32	40	50	63	80
Theoretical force at 6 bar, advancing	68	121	188	295	483	754	1178	1870	3016
Theoretical force at 6 bar, retracting	51	90	141	247	415	686	1057	1750	2827
Max. impact energy at the end positions									
[P]	0.07	0.15	0.2	0.3	0.4	0.7	1	1.3	1.8
[PPS]	-	-	0.65	0.8	1	1.7	2.8	4.8	8

Weight [g]									
Piston diameter	12	16	20	25	32	40	50	63	80
Product weight with 0 mm stroke	58	72	110	142	224	322	464	714	1210
Additional weight per 10 mm stroke	15	18	26	30	36	45	63	77	114
Moving mass with 0 mm stroke									
Moving mass with 0 mm stroke	9	15	25	32	58	85	133	190	339
Additional mass per 10 mm stroke	2	4	6	6	9	9	16	16	24

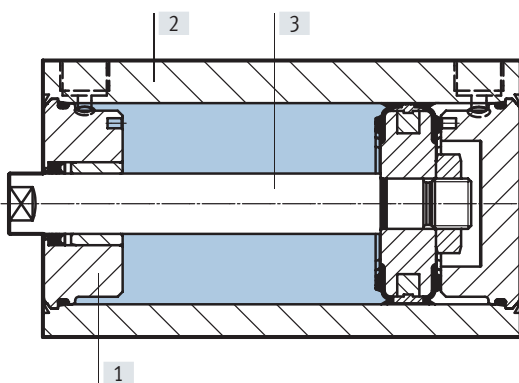
Max. transverse load  $F_q$  as a function of projection  $x$



- $\varnothing 12$
- · - ·  $\varnothing 16$
- - -  $\varnothing 20$
- · · · ·  $\varnothing 25$
- · - · -  $\varnothing 32/40$
- - - - -  $\varnothing 50/63$
- - - - -  $\varnothing 80$

Materials

Sectional view

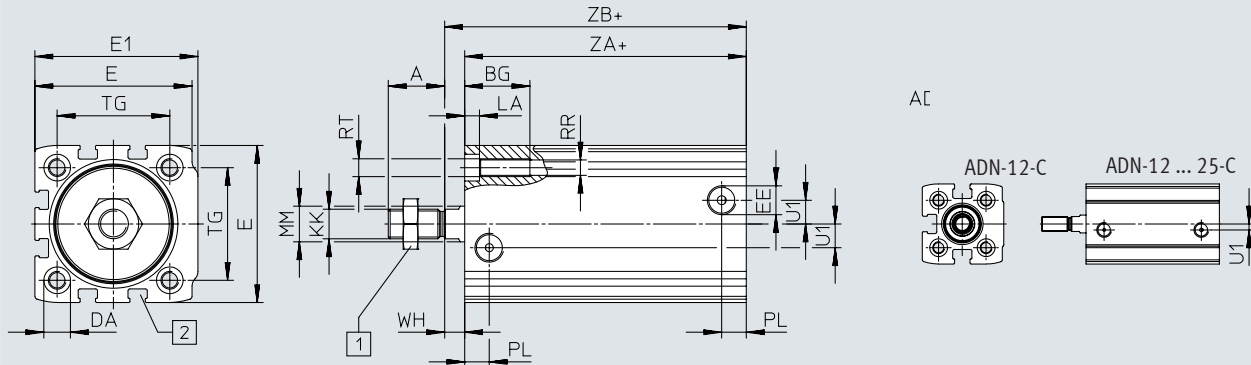


Compact cylinder	
[1] Cover	Anodised wrought aluminium alloy
[2] Cylinder barrel	Smooth-anodised wrought aluminium alloy
[3] Piston rod	High-alloy steel
- Seals	TPE-U(PUR)
Note on materials	RoHS-compliant

Data sheet

Dimensions

Download CAD data → [www.festo.com](http://www.festo.com)



+ = plus stroke length

[1] Hex nut DIN 439-B only from diameter 32 upwards

[2] T-slot for proximity sensor

∅	A	BG	DA	E	E1	EE	KK	LA	MM
[mm]	-0.5	min.	∅ F9					±0.1	∅ h8
12	10	19	6	27 <sub>+0.15</sub>	27.5 <sub>+0.15</sub>	M5	M5	3.5	6
16	12	19	6	29 <sub>+0.15</sub>	30 <sub>+0.15</sub>	M5	M6	3.5	8
20	16	20	7.5	34.5 <sub>+0.15</sub>	35.5 <sub>+0.15</sub>	M5	M8	5	10
25	16	20	7.5	38.5 <sub>+0.15</sub>	39.5 <sub>+0.15</sub>	M5	M8	5	10
32	19	22	9	45 <sub>+0.15</sub>	47 <sub>+0.15</sub>	G1/8	M10x1.25	5	12
40	19	22	9	53 <sub>+0.15</sub>	55 <sub>+0.15</sub>	G1/8	M10x1.25	5	12
50	22	23	11	63 <sub>+0.2</sub>	65 <sub>+0.2</sub>	G1/8	M12x1.25	5	16
63	22	23	11	75 <sub>+0.2</sub>	77.5 <sub>+0.2</sub>	G1/8	M12x1.25	5	16
80	28	25	14	93 <sub>+0.25</sub>	95.5 <sub>+0.25</sub>	G1/8	M16x1.5	2.7	20

∅	PL	RR	RT	TG	U1	WH		ZA	ZB	
						[P]	[PPS]		[P]	[PPS]
[mm]	+0.2	∅				+1.3	+1.4	±0.3	+1.2	+1.3
12	6	3.5	M4	16	2	4.2	-	35	39.2	-
16	6	3.5	M4	18	2.6	4.7	-	35	39.7	-
20	6	4.2	M5	22	2.6	5.5	5.5	37	42.5	42.5
25	6	4.2	M5	26	2.6	5.5	5.5	39	44.5	45.3
32	8.2	5.2	M6	32.5	6	6	6.5	44	50	50.6
40	8.2	5.2	M6	38	8	6.1	6.6	45	51.1	51.7
50	8.2	6.8	M8	46.5	8	7.7	8.2	45	52.7	53.2
63	9.5	6.8	M8	56.5	11.5	7.5	8	49	56.5	57
80	9.5	8.5	M10	72	11.5	8.9	9.4	54	62.9	63.4

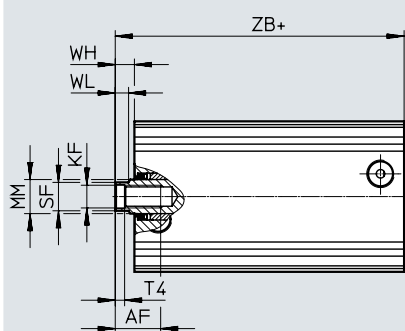


## Data sheet

## Dimensions

Download CAD data → [www.festo.com](http://www.festo.com)

With female thread



+ = plus stroke length

∅	AF	KF	MM ∅	SF	T4	WH		WL	ZB	
						[P]	[PPS]		[P]	[PPS]
						+1.3	+1.4		+1.2	+1.3
[mm]	min.		h8	h13				-0.15		
12	8	M3	6	5	1.5	4.2	–	2.7	39.2	–
16	10	M4	8	7	1.5	4.7	–	3.7	39.7	–
20	14	M6	10	9	2.6	5.5	5.5	4.2	42.5	42.5
25	14	M6	10	9	2.6	5.5	5.5	4.2	44.5	45.3
32	16	M8	12	10	3.3	6	6.5	4.7	50	50.6
40	16	M8	12	10	3.3	6.1	6.6	4.7	51.1	51.7
50	20	M10	16	13	4.7	7.7	8.2	6.5	52.7	53.2
63	20	M10	16	13	4.7	7.5	8	6.5	56.5	57
80	20	M12	20	17	6.1	8.9	9.4	7	62.9	63.4

## Ordering data

Ordering data			
Piston diameter	Stroke [mm]	P – Elastic cushioning rings/plates at both ends	
		Part no.	Type
12	A – Piston rod with male thread		
	5	8076023	ADN-12-5-A-P-A-C
	10	8076022	ADN-12-10-A-P-A-C
	15	8075934	ADN-12-15-A-P-A-C
	20	8075935	ADN-12-20-A-P-A-C
	25	8075936	ADN-12-25-A-P-A-C
	30	8075937	ADN-12-30-A-P-A-C
	35	8075938	ADN-12-35-A-P-A-C
	40	8075939	ADN-12-40-A-P-A-C
	50	8075940	ADN-12-50-A-P-A-C
	60	8075941	ADN-12-60-A-P-A-C
	I – Piston rod with female thread		
	5	8075942	ADN-12-5-I-P-A-C
	10	8075943	ADN-12-10-I-P-A-C
	15	8075944	ADN-12-15-I-P-A-C
	20	8075945	ADN-12-20-I-P-A-C
	25	8075946	ADN-12-25-I-P-A-C
	30	8075947	ADN-12-30-I-P-A-C
	35	8075948	ADN-12-35-I-P-A-C
	40	8075949	ADN-12-40-I-P-A-C
	50	8075950	ADN-12-50-I-P-A-C
	60	8075951	ADN-12-60-I-P-A-C
16	A – Piston rod with male thread		
	5	8076000	ADN-16-5-A-P-A-C
	10	8076001	ADN-16-10-A-P-A-C
	15	8076002	ADN-16-15-A-P-A-C
	20	8076003	ADN-16-20-A-P-A-C
	25	8076004	ADN-16-25-A-P-A-C
	30	8076005	ADN-16-30-A-P-A-C
	35	8076006	ADN-16-35-A-P-A-C
	40	8076007	ADN-16-40-A-P-A-C
	50	8076008	ADN-16-50-A-P-A-C
	60	8076009	ADN-16-60-A-P-A-C
	70	8076010	ADN-16-70-A-P-A-C
	I – Piston rod with female thread		
	5	8076011	ADN-16-5-I-P-A-C
	10	8076012	ADN-16-10-I-P-A-C
	15	8076013	ADN-16-15-I-P-A-C
	20	8076014	ADN-16-20-I-P-A-C
	25	8076015	ADN-16-25-I-P-A-C
	30	8076016	ADN-16-30-I-P-A-C
	35	8076017	ADN-16-35-I-P-A-C
	40	8076018	ADN-16-40-I-P-A-C
	50	8076019	ADN-16-50-I-P-A-C
60	8076020	ADN-16-60-I-P-A-C	
70	8076021	ADN-16-70-I-P-A-C	

## Ordering data

Ordering data						
Piston diameter	Stroke [mm]	P – Elastic cushioning rings/plates at both ends		PPS – Pneumatic cushioning, self-adjusting at both ends		
		Part no.	Type	Part no.	Type	
20	A – Piston rod with male thread					
	5	8076074	ADN-20-5-A-P-A-C	–	–	
	10	8076076	ADN-20-10-A-P-A-C	8076096	ADN-20-10-A-PPS-A-C	
	15	8076075	ADN-20-15-A-P-A-C	8076097	ADN-20-15-A-PPS-A-C	
	20	8076077	ADN-20-20-A-P-A-C	8076098	ADN-20-20-A-PPS-A-C	
	25	8076078	ADN-20-25-A-P-A-C	8076099	ADN-20-25-A-PPS-A-C	
	30	8076079	ADN-20-30-A-P-A-C	8076100	ADN-20-30-A-PPS-A-C	
	35	8076080	ADN-20-35-A-P-A-C	8076101	ADN-20-35-A-PPS-A-C	
	40	8076081	ADN-20-40-A-P-A-C	8076102	ADN-20-40-A-PPS-A-C	
	50	8076082	ADN-20-50-A-P-A-C	8076103	ADN-20-50-A-PPS-A-C	
	60	8076083	ADN-20-60-A-P-A-C	8076104	ADN-20-60-A-PPS-A-C	
	70	8076084	ADN-20-70-A-P-A-C	8076105	ADN-20-70-A-PPS-A-C	
	I – Piston rod with female thread					
	5	8076085	ADN-20-5-I-P-A-C	–	–	
	10	8076086	ADN-20-10-I-P-A-C	8076106	ADN-20-10-I-PPS-A-C	
	15	8076087	ADN-20-15-I-P-A-C	8076107	ADN-20-15-I-PPS-A-C	
	20	8076088	ADN-20-20-I-P-A-C	8076108	ADN-20-20-I-PPS-A-C	
	25	8076089	ADN-20-25-I-P-A-C	8076109	ADN-20-25-I-PPS-A-C	
	30	8076090	ADN-20-30-I-P-A-C	8076110	ADN-20-30-I-PPS-A-C	
	35	8076091	ADN-20-35-I-P-A-C	8076111	ADN-20-35-I-PPS-A-C	
	40	8076092	ADN-20-40-I-P-A-C	8076112	ADN-20-40-I-PPS-A-C	
	50	8076093	ADN-20-50-I-P-A-C	8076113	ADN-20-50-I-PPS-A-C	
	60	8076094	ADN-20-60-I-P-A-C	8076114	ADN-20-60-I-PPS-A-C	
	70	8076095	ADN-20-70-I-P-A-C	8076115	ADN-20-70-I-PPS-A-C	
	25	A – Piston rod with male thread				
		5	8075643	ADN-25-5-A-P-A-C	–	–
10		8075642	ADN-25-10-A-P-A-C	8075735	ADN-25-10-A-PPS-A-C	
15		8075640	ADN-25-15-A-P-A-C	8075717	ADN-25-15-A-PPS-A-C	
20		8075639	ADN-25-20-A-P-A-C	8075730	ADN-25-20-A-PPS-A-C	
25		8075636	ADN-25-25-A-P-A-C	8075729	ADN-25-25-A-PPS-A-C	
30		8075638	ADN-25-30-A-P-A-C	8075716	ADN-25-30-A-PPS-A-C	
35		8075637	ADN-25-35-A-P-A-C	8075728	ADN-25-35-A-PPS-A-C	
40		8075635	ADN-25-40-A-P-A-C	8075718	ADN-25-40-A-PPS-A-C	
50		8075634	ADN-25-50-A-P-A-C	8075714	ADN-25-50-A-PPS-A-C	
60		8075633	ADN-25-60-A-P-A-C	8075738	ADN-25-60-A-PPS-A-C	
70		8075632	ADN-25-70-A-P-A-C	8075737	ADN-25-70-A-PPS-A-C	
80		8075641	ADN-25-80-A-P-A-C	8075731	ADN-25-80-A-PPS-A-C	
I – Piston rod with female thread						
5		8075722	ADN-25-5-I-P-A-C	–	–	
10		8075734	ADN-25-10-I-P-A-C	8075733	ADN-25-10-I-PPS-A-C	
15		8075732	ADN-25-15-I-P-A-C	8075709	ADN-25-15-I-PPS-A-C	
20		8075727	ADN-25-20-I-P-A-C	8075711	ADN-25-20-I-PPS-A-C	
25		8075725	ADN-25-25-I-P-A-C	8075713	ADN-25-25-I-PPS-A-C	
30		8075739	ADN-25-30-I-P-A-C	8075721	ADN-25-30-I-PPS-A-C	
35		8075712	ADN-25-35-I-P-A-C	8075720	ADN-25-35-I-PPS-A-C	
40		8075726	ADN-25-40-I-P-A-C	8075736	ADN-25-40-I-PPS-A-C	
50		8075742	ADN-25-50-I-P-A-C	8075719	ADN-25-50-I-PPS-A-C	
60		8075723	ADN-25-60-I-P-A-C	8075724	ADN-25-60-I-PPS-A-C	
70		8075710	ADN-25-70-I-P-A-C	8075715	ADN-25-70-I-PPS-A-C	
80		8075741	ADN-25-80-I-P-A-C	8075740	ADN-25-80-I-PPS-A-C	

## Ordering data

Ordering data						
Piston diameter	Stroke [mm]	P – Elastic cushioning rings/plates at both ends		PPS – Pneumatic cushioning, self-adjusting at both ends		
		Part no.	Type	Part no.	Type	
32	A – Piston rod with male thread					
	5	8076047	ADN-32-5-A-P-A-C	–		
	10	8076060	ADN-32-10-A-P-A-C	8076037	ADN-32-10-A-PPS-A-C	
	15	8076070	ADN-32-15-A-P-A-C	8076031	ADN-32-15-A-PPS-A-C	
	20	8076043	ADN-32-20-A-P-A-C	8076054	ADN-32-20-A-PPS-A-C	
	25	8076069	ADN-32-25-A-P-A-C	8076025	ADN-32-25-A-PPS-A-C	
	30	8076057	ADN-32-30-A-P-A-C	8076029	ADN-32-30-A-PPS-A-C	
	35	8076056	ADN-32-35-A-P-A-C	8076032	ADN-32-35-A-PPS-A-C	
	40	8076050	ADN-32-40-A-P-A-C	8076065	ADN-32-40-A-PPS-A-C	
	50	8076061	ADN-32-50-A-P-A-C	8076026	ADN-32-50-A-PPS-A-C	
	60	8076053	ADN-32-60-A-P-A-C	8076058	ADN-32-60-A-PPS-A-C	
	70	8076055	ADN-32-70-A-P-A-C	8076051	ADN-32-70-A-PPS-A-C	
	80	8076042	ADN-32-80-A-P-A-C	8076048	ADN-32-80-A-PPS-A-C	
	I – Piston rod with female thread					
	5	8076033	ADN-32-5-I-P-A-C	–		
	10	8076040	ADN-32-10-I-P-A-C	8076062	ADN-32-10-I-PPS-A-C	
	15	8076036	ADN-32-15-I-P-A-C	8076049	ADN-32-15-I-PPS-A-C	
	20	8076044	ADN-32-20-I-P-A-C	8076045	ADN-32-20-I-PPS-A-C	
	25	8076034	ADN-32-25-I-P-A-C	8076063	ADN-32-25-I-PPS-A-C	
	30	8076027	ADN-32-30-I-P-A-C	8076030	ADN-32-30-I-PPS-A-C	
	35	8076035	ADN-32-35-I-P-A-C	8076046	ADN-32-35-I-PPS-A-C	
	40	8076028	ADN-32-40-I-P-A-C	8076071	ADN-32-40-I-PPS-A-C	
	50	8076041	ADN-32-50-I-P-A-C	8076066	ADN-32-50-I-PPS-A-C	
	60	8076059	ADN-32-60-I-P-A-C	8076038	ADN-32-60-I-PPS-A-C	
	70	8076064	ADN-32-70-I-P-A-C	8076052	ADN-32-70-I-PPS-A-C	
	80	8076068	ADN-32-80-I-P-A-C	8076072	ADN-32-80-I-PPS-A-C	
	40	A – Piston rod with male thread				
		5	8075972	ADN-40-5-A-P-A-C	–	
10		8075991	ADN-40-10-A-P-A-C	8075960	ADN-40-10-A-PPS-A-C	
15		8075975	ADN-40-15-A-P-A-C	8075969	ADN-40-15-A-PPS-A-C	
20		8075997	ADN-40-20-A-P-A-C	8075994	ADN-40-20-A-PPS-A-C	
25		8075958	ADN-40-25-A-P-A-C	8075998	ADN-40-25-A-PPS-A-C	
30		8075966	ADN-40-30-A-P-A-C	8075987	ADN-40-30-A-PPS-A-C	
35		8075954	ADN-40-35-A-P-A-C	8075983	ADN-40-35-A-PPS-A-C	
40		8075968	ADN-40-40-A-P-A-C	8075993	ADN-40-40-A-PPS-A-C	
50		8075971	ADN-40-50-A-P-A-C	8075989	ADN-40-50-A-PPS-A-C	
60		8075956	ADN-40-60-A-P-A-C	8075981	ADN-40-60-A-PPS-A-C	
70		8075964	ADN-40-70-A-P-A-C	8075995	ADN-40-70-A-PPS-A-C	
80		8075985	ADN-40-80-A-P-A-C	8075955	ADN-40-80-A-PPS-A-C	
I – Piston rod with female thread						
5		8075982	ADN-40-5-I-P-A-C	–		
10		8075978	ADN-40-10-I-P-A-C	8075963	ADN-40-10-I-PPS-A-C	
15		8075990	ADN-40-15-I-P-A-C	8075973	ADN-40-15-I-PPS-A-C	
20		8075979	ADN-40-20-I-P-A-C	8075986	ADN-40-20-I-PPS-A-C	
25		8075961	ADN-40-25-I-P-A-C	8075953	ADN-40-25-I-PPS-A-C	
30		8075957	ADN-40-30-I-P-A-C	8075976	ADN-40-30-I-PPS-A-C	
35		8075988	ADN-40-35-I-P-A-C	8075984	ADN-40-35-I-PPS-A-C	
40		8075965	ADN-40-40-I-P-A-C	8075967	ADN-40-40-I-PPS-A-C	
50		8075980	ADN-40-50-I-P-A-C	8075974	ADN-40-50-I-PPS-A-C	
60		8075959	ADN-40-60-I-P-A-C	8075962	ADN-40-60-I-PPS-A-C	
70		8075996	ADN-40-70-I-P-A-C	8075977	ADN-40-70-I-PPS-A-C	
80		8075992	ADN-40-80-I-P-A-C	8075970	ADN-40-80-I-PPS-A-C	

## Ordering data


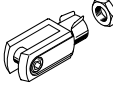
Ordering data						
Piston diameter	Stroke [mm]	P – Elastic cushioning rings/plates at both ends		PPS – Pneumatic cushioning, self-adjusting at both ends		
		Part no.	Type	Part no.	Type	
50	A – Piston rod with male thread					
	10	8076181	ADN-50-10-A-P-A-C	8076144	ADN-50-10-A-PPS-A-C	
	15	8076184	ADN-50-15-A-P-A-C	8076185	ADN-50-15-A-PPS-A-C	
	20	8076177	ADN-50-20-A-P-A-C	8076149	ADN-50-20-A-PPS-A-C	
	25	8076146	ADN-50-25-A-P-A-C	8076164	ADN-50-25-A-PPS-A-C	
	30	8076145	ADN-50-30-A-P-A-C	8076162	ADN-50-30-A-PPS-A-C	
	35	8076170	ADN-50-35-A-P-A-C	8076180	ADN-50-35-A-PPS-A-C	
	40	8076167	ADN-50-40-A-P-A-C	8076175	ADN-50-40-A-PPS-A-C	
	50	8076151	ADN-50-50-A-P-A-C	8076158	ADN-50-50-A-PPS-A-C	
	60	8076176	ADN-50-60-A-P-A-C	8076152	ADN-50-60-A-PPS-A-C	
	70	8076172	ADN-50-70-A-P-A-C	8076178	ADN-50-70-A-PPS-A-C	
	80	8076182	ADN-50-80-A-P-A-C	8076153	ADN-50-80-A-PPS-A-C	
	I – Piston rod with female thread					
	10	8076173	ADN-50-10-I-P-A-C	8076186	ADN-50-10-I-PPS-A-C	
	15	8076148	ADN-50-15-I-P-A-C	8076183	ADN-50-15-I-PPS-A-C	
	20	8076169	ADN-50-20-I-P-A-C	8076155	ADN-50-20-I-PPS-A-C	
	25	8076147	ADN-50-25-I-P-A-C	8076160	ADN-50-25-I-PPS-A-C	
	30	8076156	ADN-50-30-I-P-A-C	8076165	ADN-50-30-I-PPS-A-C	
	35	8076187	ADN-50-35-I-P-A-C	8076166	ADN-50-35-I-PPS-A-C	
	40	8076161	ADN-50-40-I-P-A-C	8076163	ADN-50-40-I-PPS-A-C	
	50	8076157	ADN-50-50-I-P-A-C	8076174	ADN-50-50-I-PPS-A-C	
	60	8076188	ADN-50-60-I-P-A-C	8076171	ADN-50-60-I-PPS-A-C	
	70	8076168	ADN-50-70-I-P-A-C	8076159	ADN-50-70-I-PPS-A-C	
	80	8076154	ADN-50-80-I-P-A-C	8076150	ADN-50-80-I-PPS-A-C	
	63	A – Piston rod with male thread				
		10	8075917	ADN-63-10-A-P-A-C	8075911	ADN-63-10-A-PPS-A-C
15		8075910	ADN-63-15-A-P-A-C	8075895	ADN-63-15-A-PPS-A-C	
20		8075909	ADN-63-20-A-P-A-C	8075896	ADN-63-20-A-PPS-A-C	
25		8075923	ADN-63-25-A-P-A-C	8075913	ADN-63-25-A-PPS-A-C	
30		8075918	ADN-63-30-A-P-A-C	8075926	ADN-63-30-A-PPS-A-C	
35		8075890	ADN-63-35-A-P-A-C	8075925	ADN-63-35-A-PPS-A-C	
40		8075899	ADN-63-40-A-P-A-C	8075903	ADN-63-40-A-PPS-A-C	
50		8075891	ADN-63-50-A-P-A-C	8075933	ADN-63-50-A-PPS-A-C	
60		8075915	ADN-63-60-A-P-A-C	8075898	ADN-63-60-A-PPS-A-C	
70		8075916	ADN-63-70-A-P-A-C	8075904	ADN-63-70-A-PPS-A-C	
80		8075929	ADN-63-80-A-P-A-C	8075924	ADN-63-80-A-PPS-A-C	
I – Piston rod with female thread						
10		8075928	ADN-63-10-I-P-A-C	8075897	ADN-63-10-I-PPS-A-C	
15		8075931	ADN-63-15-I-P-A-C	8075906	ADN-63-15-I-PPS-A-C	
20		8075922	ADN-63-20-I-P-A-C	8075932	ADN-63-20-I-PPS-A-C	
25		8075900	ADN-63-25-I-P-A-C	8075921	ADN-63-25-I-PPS-A-C	
30		8075894	ADN-63-30-I-P-A-C	8075907	ADN-63-30-I-PPS-A-C	
35		8075892	ADN-63-35-I-P-A-C	8075901	ADN-63-35-I-PPS-A-C	
40		8075919	ADN-63-40-I-P-A-C	8075930	ADN-63-40-I-PPS-A-C	
50		8075914	ADN-63-50-I-P-A-C	8075920	ADN-63-50-I-PPS-A-C	
60		8075908	ADN-63-60-I-P-A-C	8075912	ADN-63-60-I-PPS-A-C	
70		8075893	ADN-63-70-I-P-A-C	8075927	ADN-63-70-I-PPS-A-C	
80		8075902	ADN-63-80-I-P-A-C	8075905	ADN-63-80-I-PPS-A-C	

## Ordering data

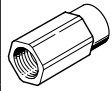
Ordering data					
Piston diameter	Stroke [mm]	P – Elastic cushioning rings/plates at both ends		PPS – Pneumatic cushioning, self-adjusting at both ends	
		Part no.	Type	Part no.	Type
80	A – Piston rod with male thread				
	10	8076206	ADN-80-10-A-P-A-C	8076229	ADN-80-10-A-PPS-A-C
	15	8076209	ADN-80-15-A-P-A-C	8076230	ADN-80-15-A-PPS-A-C
	20	8076207	ADN-80-20-A-P-A-C	8076231	ADN-80-20-A-PPS-A-C
	25	8076210	ADN-80-25-A-P-A-C	8076232	ADN-80-25-A-PPS-A-C
	30	8076211	ADN-80-30-A-P-A-C	8 076233	ADN-80-30-A-PPS-A-C
	35	8076212	ADN-80-35-A-P-A-C	8076234	ADN-80-35-A-PPS-A-C
	40	8076213	ADN-80-40-A-P-A-C	8076235	ADN-80-40-A-PPS-A-C
	50	8076214	ADN-80-50-A-P-A-C	8076236	ADN-80-50-A-PPS-A-C
	60	8076215	ADN-80-60-A-P-A-C	8076237	ADN-80-60-A-PPS-A-C
	70	8076216	ADN-80-70-A-P-A-C	8076238	ADN-80-70-A-PPS-A-C
	80	8076217	ADN-80-80-A-P-A-C	8076239	ADN-80-80-A-PPS-A-C
	I – Piston rod with female thread				
	10	8076218	ADN-80-10-I-P-A-C	8076240	ADN-80-10-I-PPS-A-C
	15	8076219	ADN-80-15-I-P-A-C	8076241	ADN-80-15-I-PPS-A-C
	20	8076220	ADN-80-20-I-P-A-C	8076242	ADN-80-20-I-PPS-A-C
	25	8076221	ADN-80-25-I-P-A-C	8076243	ADN-80-25-I-PPS-A-C
	30	8076222	ADN-80-30-I-P-A-C	8076244	ADN-80-30-I-PPS-A-C
	35	8076223	ADN-80-35-I-P-A-C	8076245	ADN-80-35-I-PPS-A-C
	40	8076224	ADN-80-40-I-P-A-C	8076246	ADN-80-40-I-PPS-A-C
	50	8076225	ADN-80-50-I-P-A-C	8076247	ADN-80-50-I-PPS-A-C
	60	8076226	ADN-80-60-I-P-A-C	8076248	ADN-80-60-I-PPS-A-C
	70	8076227	ADN-80-70-I-P-A-C	8076249	ADN-80-70-I-PPS-A-C
	80	8076228	ADN-80-80-I-P-A-C	8076250	ADN-80-80-I-PPS-A-C

## Accessories


## Ordering data – Piston rod attachments

Designation	For diam.	Part no.	Type
<b>Rod eye SGS</b>			
	16	9254	SGS-M6
	20, 25	9255	SGS-M8
	32, 40	9261	SGS-M10x1.25
	50, 63	9262	SGS-M12x1.25
	80	9263	SGS-M16x1.5
<b>Rod clevis SG</b>			
	12	–	
	16	3110	SG-M6
	20, 25	3111	SG-M8
	32, 40	6144	SG-M10x1.25
	50, 63	6145	SG-M12x1.25
	80	6146	SG-M16x1.5

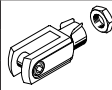
Data sheets → Internet: piston rod attachment

Designation	For diam.	Part no.	Type
<b>Adapter AD</b>			
	12	–	
	16	157328	AD-M6-M5
		157329	AD-M6-1/8
		157330	AD-M6-1/4
	20	157331	AD-M8-1/8
	25	157332	AD-M8-1/4
	32	157333	AD-M10x1.25-1/8
	40	157334	AD-M10x1.25-1/4
	50	160256	AD-M12x1.25-1/4
63	160257	AD-M12x1.25-3/8	

## Ordering data – Piston rod attachments, corrosion-resistant

Designation	For diam.	Part no.	Type
<b>Rod eye CRSGS</b>			
	12	–	
	16	195580	CRSGS-M6
	20, 25	195581	CRSGS-M8
	32, 40	195582	CRSGS-M10x1.25
	50, 63	195583	CRSGS-M12x1.25
	80	195584	CRSGS-M16x1.5

Data sheets → Internet: piston rod attachment

Designation	For diam.	Part no.	Type
<b>Rod clevis CRSG</b>			
	12	–	
	16, 20	13567	CRSG-M6
	20, 25	13568	CRSG-M8
	32, 40	13569	CRSG-M10x1.25
	50, 63	13570	CRSG-M12x1.25
	80	13571	CRSG-M16x1.5

## Accessories

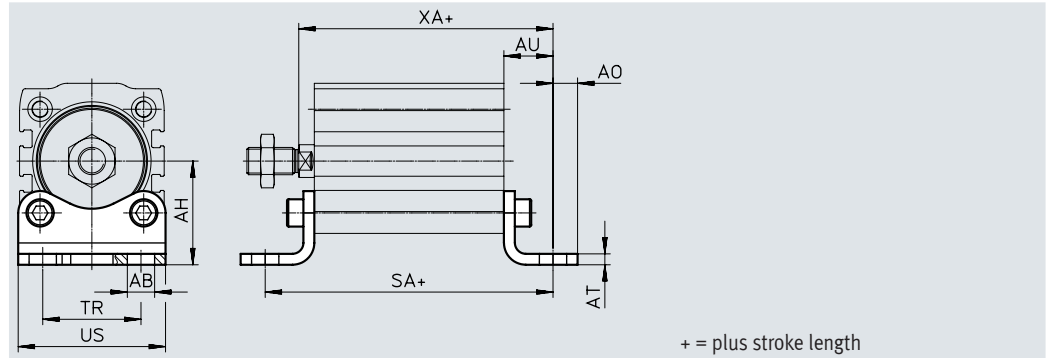
### Foot mounting HNA

Material:

HNA: galvanised steel

Free of copper and PTFE

RoHS-compliant



#### Dimensions and ordering data

For diam. [mm]	AB ∅ H14	AH JS14	AO	AT ±0.5	AU ±0.2	SA ±0.2	TR ±0.2	US -0.5	XA		Basic type			
									[P] +1.2	[PPS] +1.3	CRC <sup>1)</sup>	Weight [g]	Part no.	Type
12	5.8	21	5	3	13	61	16	26	52.2	–	1	39	537237	HNA-12
16	5.8	22	4.75	3	13	61	18	27.5	52.7	–	1	42	537238	HNA-16
20	7	27	6.25	4	16	69	22	34.5	58.5	58.5	1	84	537239	HNA-20
25	7	29	6.3	4	16	71	26	38.5	60.5	61.3	1	90	537240	HNA-25
32	7	33.5	7	4	16	76	32	46	66	66.6	1	123	537241	HNA-32
40	10	38	9	4	18	81	36	54	69.1	69.7	1	157	537242	HNA-40
50	10	45	8	5	21	87	45	64	73.7	74.2	1	278	537243	HNA-50
63	10	50	8	5	21	91	50	75	77.5	78	1	328	537244	HNA-63
80	12	63	10.5	6	26	106	63	93	88.9	89.4	1	634	537249	HNA-80

1) Corrosion resistance class CRC 1 to Festo standard FN 940070

Low corrosion stress. Dry indoor application or transport and storage protection. Also applies to parts behind coverings, in the non-visible interior area, and parts which are covered in the application (e.g. drive trunnions).



## Accessories

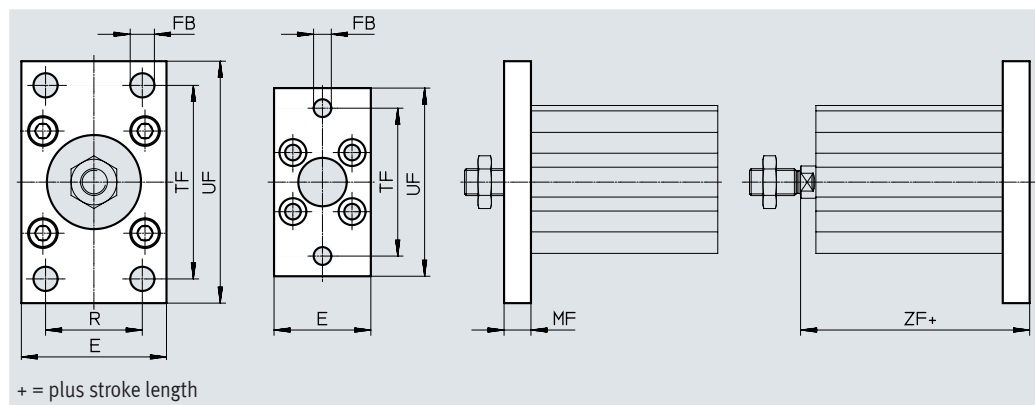
### Flange mounting FNC

Material:

Galvanised steel

Free of copper and PTFE

RoHS-compliant




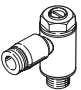
#### Dimensions and ordering data

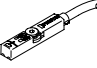
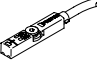
For diam.	E	FB ∅	MF	R	TF	UF ±1	ZF		Basic type			
							[P] +1.2	[PPS] +1.3	CRC <sup>1)</sup>	Weight [g]	Part no.	Type
12	28	5.5	8	–	40	50	47.2	–	1	79	<b>537245</b>	<b>FNC-12</b>
16	29	5.5	8	–	43	55	47.7	–	1	88	<b>537246</b>	<b>FNC-16</b>
20	36	6.6	8	–	55	70	50.5	50.5	1	141	<b>537247</b>	<b>FNC-20</b>
25	40	6.6	8	–	60	76	52.5	53.3	1	165	<b>537248</b>	<b>FNC-25</b>
32	45	7	10	32	64	80	60	60.6	1	221	<b>174376</b>	<b>FNC-32</b>
40	54	9	10	36	72	90	61.1	61.7	1	291	<b>174377</b>	<b>FNC-40</b>
50	65	9	12	45	90	110	64.7	65.2	1	536	<b>174378</b>	<b>FNC-50</b>
63	75	9	12	50	100	120	68.5	69	1	679	<b>174379</b>	<b>FNC-63</b>
80	93	12	16	63	126	150	78.9	79.4	1	1495	<b>174380</b>	<b>FNC-80</b>

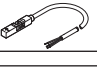

1) Corrosion resistance class CRC 1 to Festo standard FN 940070

Low corrosion stress. Dry indoor application or transport and storage protection. Also applies to parts behind coverings, in the non-visible interior area, and parts which are covered in the application (e.g. drive trunnions).

## Accessories

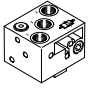
Ordering data – One-way flow control valves						Data sheets → Internet: grla		
	Connection		Material	Part no.	Type			
	For diam.	For tubing O.D.						
<b>For exhaust air</b>								
	12, 16, 20, 25	3	Metal design	193137	GRLA-M5-QS-3-D			
		4		193138	GRLA-M5-QS-4-D			
		6		193139	GRLA-M5-QS-6-D			
	32, 40, 50, 63, 80	3		193142	GRLA-1/8-QS-3-D			
		4		193143	GRLA-1/8-QS-4-D			
		6		193144	GRLA-1/8-QS-6-D			
		8		193145	GRLA-1/8-QS-8-D			
	<b>For supply air</b>							
		12, 16, 20, 25		3	Metal design	193153	GRLZ-M5-QS-3-D	
				4		193154	GRLZ-M5-QS-4-D	
6			193155	GRLZ-M5-QS-6-D				
32, 40, 50, 63, 80		3	193156	GRLZ-1/8-QS-3-D				
		4	193157	GRLZ-1/8-QS-4-D				
		6	193158	GRLZ-1/8-QS-6-D				
		8	193159	GRLZ-1/8-QS-8-D				

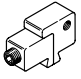
Ordering data – Proximity sensors for T-slot, magneto-resistive						Data sheets → Internet: smt
	Type of mounting	Switching output	Electrical connection	Cable length [m]	Part no.	Type
	Insertable in the slot from above, flush with the cylinder profile, short design	PNP	Cable, 3-wire	2.5	574335	SMT-8M-A-PS-24V-E-2.5-OE
			Plug M8x1, 3-pin	0.3	574334	SMT-8M-A-PS-24V-E-0.3-M8D
		NPN	Cable, 3-wire	2.5	574338	SMT-8M-A-NS-24V-E-2.5-OE
			Plug M8x1, 3-pin	0.3	574339	SMT-8M-A-NS-24V-E-0.3-M8D
<b>N/C contact</b>						
	Insertable in the slot from above, flush with the cylinder profile, short design	PNP	Cable, 3-wire	7.5	574340	SMT-8M-A-PO-24V-E-7.5-OE


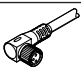
Ordering data – Proximity sensors for T-slot, magneto-resistive, corrosion-resistant							Data sheets → Internet: crsmt
	Switching output	Electrical connection		Cable length [m]	Weight [g]	Part no.	Type
		Cable	Cable with plug, rotatable thread				
<b>N/O contact</b>							
	PNP	3-wire	–	5	47.6	574380	CRSMT-8M-PS-24V-K-5.0-OE
	PNP	3-pin	M8x1	0.3	16.1	574383	CRSMT-8M-PS-24V-K-0.3-M8D

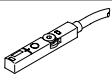
Ordering data – Proximity sensor for T-slot, NAMUR						Data sheets → Internet: sdbt
	Switching output	Electrical connection		Cable length [m]	Part no.	Type
		Cable	Cable with plug, rotatable thread			
<b>N/O contact</b>						
	NAMUR	Cable, 2-wire	–	5	579071	SDBT-MS-20NL-ZN-E-5-LE-EX6
				10	579072	SDBT-MS-20NL-ZN-E-10-LE-EX6


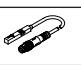
## Accessories

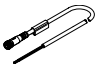
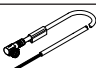
Ordering data – Proximity sensor in block design, pneumatic				Data sheets → Internet: smpo	
	Pneumatic connection	Part no.	Type		
<b>3/2-way valve, normally closed</b>					
	Female thread M5	178563	SMPO-8E		

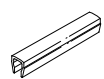
Ordering data – Mounting kit for proximity sensor SMPO-8E				Data sheets → Internet: smb	
	Mounting	Part no.	Type		
	Clamped in T-slot	178230	SMB-8E		

Ordering data – Connecting cables						Data sheets → Internet: nebu	
	Electrical connection, left	Electrical connection, right	Cable length [m]	Part no.	Type		
	Straight socket, M8x1, 3-pin	Cable, open end, 3-wire	2.5	541333	NEBU-M8G3-K-2.5-LE3		
			5	541334	NEBU-M8G3-K-5-LE3		
	Angled socket, M8x1, 3-pin	Cable, open end, 3-wire	2.5	541338	NEBU-M8W3-K-2.5-LE3		
			5	541341	NEBU-M8W3-K-5-LE3		

Ordering data – Position transmitters for T-slot								Data sheets → Internet: sdas	
	Position measuring range	Description	Type of mounting	Electrical connection	Cable length [m]	Part no.	Type		
	Depends on the piston diameter	Choice of two operating modes: • Two adjustable switching outputs • IO-Link	Insertable in the slot from above	Plug M8x1, 4-pin, in-line	0.3	8063974	SDAS-MHS-M40-1L-PNLK-PN-E-0.3-M8		
				Cable, open end	2.5	8063975	SDAS-MHS-M40-1L-PNLK-PN-E-2.5-LE		

Ordering data – Position transmitters for T-slot								Data sheets → Internet: position transmitter	
	Position measuring range	Analogue output [V]	[mA]	Type of mounting	Electrical connection	Cable length [m]	Part no.	Type	
	0 ... 50	–	4 ... 20	Insertable in the slot from above	Plug M8x1, 4-pin, in-line	0.3	1531265	SDAT-MHS-M50-1L-SA-E-0.3-M8	
	0 ... 80	–	4 ... 20	Insertable in the slot from above	Plug M8x1, 4-pin, in-line	0.3	1531266	SDAT-MHS-M80-1L-SA-E-0.3-M8	
	0 ... 40	0 ... 10	–	Insertable in the slot from above	Plug M8x1, 4-pin, in-line	0.3	553744	SMAT-8M-U-E-0.3-M8D	

Ordering data – Connecting cables						Data sheets → Internet: nebu	
	Electrical connection, left	Electrical connection, right	Cable length [m]	Part no.	Type		
	Straight socket, M8x1, 4-pin	Cable, open end, 4-wire	2.5	541342	NEBU-M8G4-K-2.5-LE4		
			5	541343	NEBU-M8G4-K-5-LE4		
	Angled socket, M8x1, 4-pin	Cable, open end, 4-wire	2.5	541344	NEBU-M8W4-K-2.5-LE4		
			5	541345	NEBU-M8W4-K-5-LE4		

Ordering data – Slot cover for T-slot				Data sheets → Internet: abp	
	Mounting	Length	Part no.	Type	
	Insertable	2x 0.5 m	151680	ABP-5-S	

# Festo - Your Partner in Automation



**1 Festo Inc.**  
5300 Explorer Drive  
Mississauga, ON L4W 5G4  
Canada

**Festo Customer Interaction Center**  
Tel: 1 877 463 3786  
Fax: 1 877 393 3786  
Email: [customer.service.ca@festo.com](mailto:customer.service.ca@festo.com)



**2 Festo Pneumatic**  
Av. Ceylán 3,  
Col. Tequesquináhuac  
54020 Tlalnepantla,  
Estado de México

**Multinational Contact Center**  
01 800 337 8669  
[ventas.mexico@festo.com](mailto:ventas.mexico@festo.com)



**3 Festo Corporation**  
1377 Motor Parkway  
Suite 310  
Islandia, NY 11749

**Festo Customer Interaction Center**  
1 800 993 3786  
1 800 963 3786  
[customer.service.us@festo.com](mailto:customer.service.us@festo.com)



**4 Regional Service Center**  
7777 Columbia Road  
Mason, OH 45040

Connect with us



[www.festo.com/socialmedia](http://www.festo.com/socialmedia)



[www.festo.com](http://www.festo.com)

Subject to change