

Mounting attachments

Technical data

Mounting attachments enable valve terminals to be attached to walls and machine parts

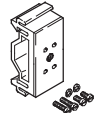
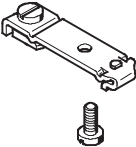
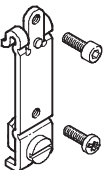
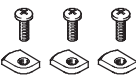
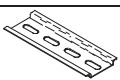



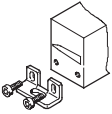

Ordering data – H-rail mountings						
View	Product weight [g]	Material	Function	Dimensions [mm]	Part No.	Type
	69.6	Cold rolled steel	Mounting accessories (set) for H-rail mounting. Enables suitable valve terminals/modules to be attached to an H-rail. Has a small swivel lever on the right and left and mounting accessories.	62x24x13.5 (LxWxH) Material thickness: 3	18649	IBGH-03-4,0
	79.5		Mounting accessories (set) for H-rail mounting. Enables suitable valve terminals/modules to be attached to an H-rail. Has a small swivel lever on the left, a large swivel lever on the right and mounting accessories.	62x24x13.5 81x24x13.5 (LxWxH) Material thickness: 3	18747	IBGH-03-7,0
	44.1		Mounting accessories (set) for H-rail mounting. Enables suitable valve terminals/modules to be attached to an H-rail. Has a small swivel lever on the right and mounting accessories.	62x24x13.5 (LxWxH) Material thickness: 3	526033	CPX-03-4,0
	48.3		Mounting accessories (set) for H-rail mounting. Enables suitable valve terminals/modules to be attached to an H-rail. Has a large swivel lever on the right and mounting accessories.	81x24x13.5 (LxWxH) Material thickness: 3	526034	CPX-03-7,0

Mounting attachments

Technical data

FESTO

Ordering data – General attachments						
View	Product weight [g]	Material	Function	Dimensions [mm]	Part No.	Type
	35.1	Steel/polymer material	Base for H-rail mounting. Is screwed onto the component and the entire unit can then be placed on an H-rail.	47x12x18.1 (LxWxH)	170169	CP-TS-HS-35
	29.9	Cold rolled steel	Mounting rail for H-rail mounting. Is screwed onto the component and the entire unit can then be placed on an H-rail. Includes M4x10 screw (combi cross-slot screws).	49.1x13x8.7 (LxWxH) Material thickness: 2	527392	CPASC1-BG-NRH
	15.2	Cold rolled steel	Mounting rail for H-rail mounting. Is screwed onto the component and the entire unit can then be placed on an H-rail. Includes 2 M3x6 screws (Torx).	55.1x13x7.7 (LxWxH) Material thickness: 2	536689	CPX-MMI-1-NRH
	10.5	Cold rolled steel	Clamping components for H-rail mounting. Are screwed onto the component and clamp it onto an H-rail. Includes M4x12 screw (combi cross-slot screws).	8 x 11.8 (LxW) Material thickness: 2.5	526032	CPX-CPA-BG-NRH
	600	Steel	H-rail Is screwed onto an even surface (wall) and can then support a large number of components.	35 x 7.5 (WxH) Material thickness: 1 Length acc. to requirements	35430	NRH-35-2000

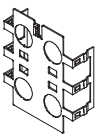

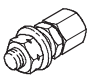


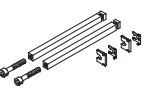
Ordering data – Wall mountings						
View	Product weight [g]	Material	Function	Dimensions [mm]	Part No.	Type
	8.8	Fine grained cold pressed steel	Mounting bracket for mounting valve terminals on even surfaces. Includes 2 M3x9 screws (internal hexagon socket SW 2.5)	18 x 15 (LxW) Material thickness: 2	534416	VMPA-BG-RW
	23.5	Structural steel ¹⁾	Mounting bracket for mounting valve terminals on even surfaces. Includes 2 M3x10 screws (cross slot).	20 x 34 (LxW) Material thickness: 2	18678	IBGW-03
	28.8	Semi-aromatic polyamide (IXEF) ¹⁾	Mounting bracket, acts as additional mounting for larger valve terminals	15x10.8x17.5 (LxWxH)	529040	CPX-BG-RW-10x

1) RoHS-compliant

Mounting attachments

Technical data

FESTO

Ordering data – General attachments						
View	Product weight [g]	Material	Function	Dimensions [mm]	Part No.	Type
	20	Tin-plated bronze	Screening plate, is placed on a CPX module and screens it electromagnetically.	59.9x50.5x16 (LxWxH)	526184	CPX-AB-S-4-M12
	25.2	Steel	Allows the MMI to be mounted at any position	84.3x92 (WxH)	534705	CPX-MMI-1-H
	0.7	Galvanised free cutting steel	Is inserted in holes on a housing plate and enables a Sub-D plug to be screwed on	L: 10; M4 thread	366598	4-40UNC
				L: 10; M3 thread	340960	UNC 4-40/M3x5
				L: 11; M3 thread	533000	UNC 4-40/M3x6
	60	Acc. to individual components	Mounting set for CDVI valve terminal; for mounting on machine parts	–	534436	CDSV5.0
	–	Galvanised steel	Screw available as spare part, to DIN 912	L: 45; thread: M3	527643	M3x45
	23.9	Tempered steel	Tie rod, allows CPX individual components to be assembled to form a unit. Available in different lengths for a different number of modules, standard thread M4.	60 (L) Expansion for 1 module	525418	CPX-ZA-1-E
	42.1			72.1 (L) 1 module	195718	CPX-ZA-1
	73.7			122.2 (L) 2 modules	195720	CPX-ZA-2
	103.9			172.3 (L) 3 modules	195722	CPX-ZA-3
	133			222.4 (L) 4 modules	195724	CPX-ZA-4
	167.7			272.5 (L) 5 modules	195726	CPX-ZA-5
	197.3			322.6 (L) 6 modules	195728	CPX-ZA-6
	225.4			372.7 (L) 7 modules	195730	CPX-ZA-7
	254.4			422.8 (L) 8 modules	195732	CPX-ZA-8
	280.3			472.9 (L) 9 modules	195734	CPX-ZA-9
310	523 (L) 10 modules	195736	CPX-ZA-10			

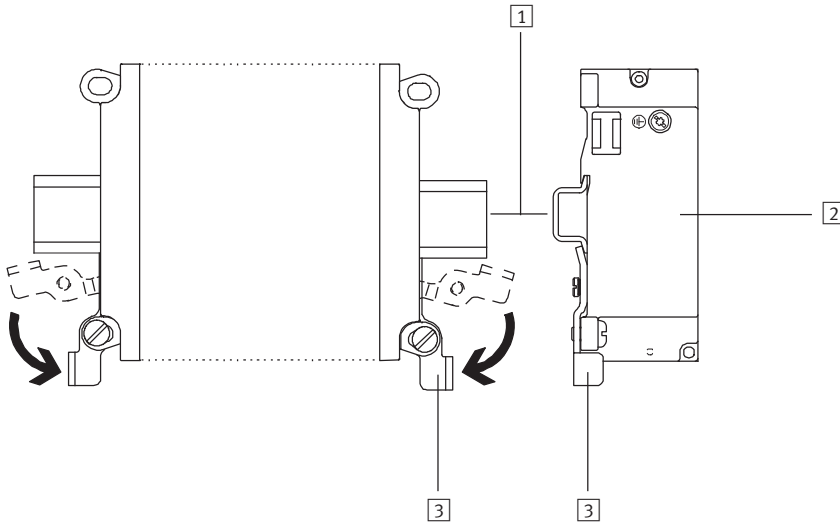
Mounting attachments

Technical data

FESTO

Examples illustrating H-rail mounting

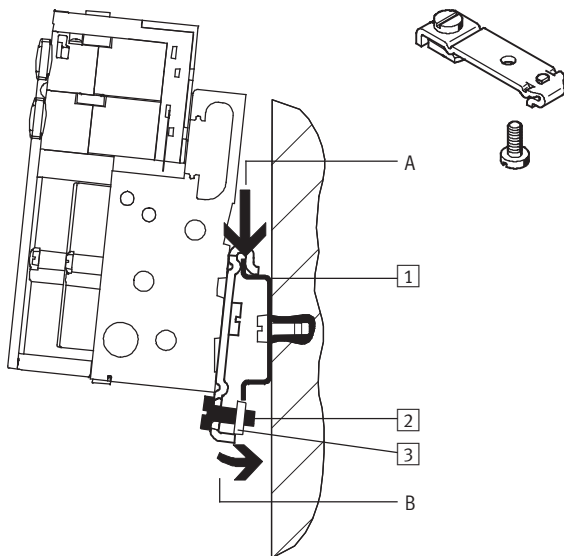
With swivel levers



The valve terminal is attached to the H-rail and locked with the swivel lever.

- 1 H-rail
- 2 Valve terminal
- 3 Swivel lever

With mounting rail

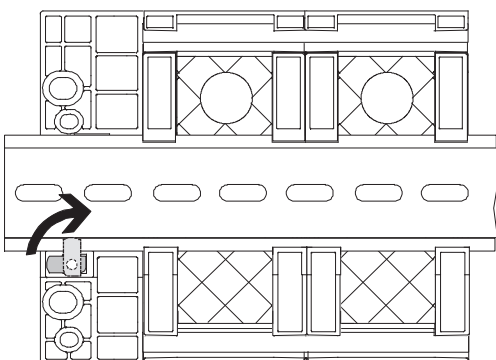


The valve terminal is attached to the H-rail (see arrow A).

The valve terminal is then swivelled on the H-rail and secured in place with the clamping component (see arrow B).

- 1 Holes for wall mounting
- 2 Self-tapping M4x10 screw of the H-rail clamping unit
- 3 Clamping component of the H-rail clamping unit

With clamping components



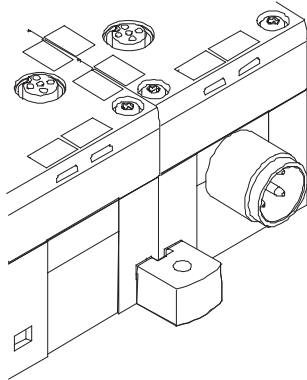
The H-rail mounting is pressed into the reverse profile of the (CPX) modules. The modules can be attached to the H-rail using the H-rail mounting.

Mounting attachments

Technical data

Examples illustrating wall mounting

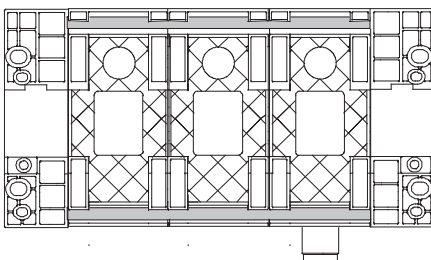
With mounting bracket



For longer valve terminals, there is an additional mounting bracket (for the CPX terminal) that can be fitted in any module.

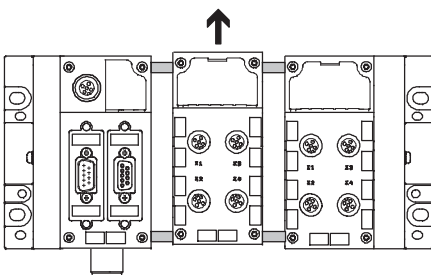
Examples illustrating general types of mounting

With tie rod



The mechanical connection between the CPX modules is created using special tie rods. Two screws in the end plates are all that are needed to mount the entire unit.

The tie rod ensures that the unit resists high mechanical loads and is therefore the “mechanical backbone” of the CPX terminal.



The open design allows interlinking blocks to be replaced in the assembled state.

The tie rod expansion kit allows an extra module to be added to the CPX terminal.