

Cover caps

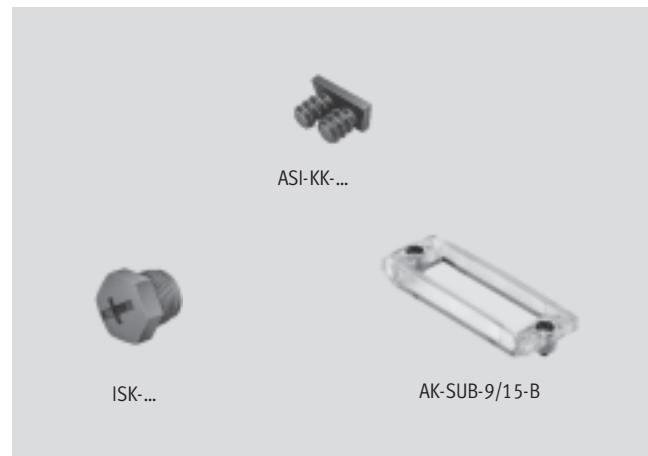
Technical data

FESTO

Cover caps are required for unused connections in order to seal them.

They ensure:

- Reliable operation of the respective component
- Attainment of a protection class
- Hazard prevention (e.g. by covering current carrying parts)



Ordering data							
View	Product weight [g]	Material	Mounting	Operating pressure [bar]	Dimensions (LxWxH) [mm]	Part No.	Type
	20	<ul style="list-style-type: none"> • Cover: Transparent polyamide • Seals: Nitrile rubber • Screws: Galvanised steel 	2 screws, M3x10	–	62 x 20 x 8	533334	AK-SUB-9/15-B
	20	<ul style="list-style-type: none"> • Cover: Polyamide • Seals: Nitrile rubber • Screws: Galvanised steel 	2 screws, M3x16	–	62 x 20 x 14	557010	AK-SUB-9/15
	10	<ul style="list-style-type: none"> • Cover: Transparent polyamide • Seals: Nitrile rubber • Screws: Steel 	2 screws, M3x14	–	20 x 33 x 8	534496	AK-RJ45
	54	<ul style="list-style-type: none"> • Housing: Nickel-plated die-cast zinc • Seals: Nitrile rubber 	–	–	58 x 30 x 22	548753	CPX-M-AK-C
	32	<ul style="list-style-type: none"> • Cover: Nickel-plated and chrome-plated die-cast zinc • Seals: Nitrile rubber • Screws: Galvanised steel 	2 screws, M3x16	–	49 x 11 x 13	548754	CPX-M-AK-M
	98	Die-cast aluminium	2 screws, M4x12	–	170.6 x 32 x 11	18068	IAP-02-1/4
	80	Die-cast aluminium	2 screws, M4x12	–	159.1 x 26 x 11	18067	IAP-02-1/8
	73	Die-cast aluminium	2 screws, M4x12	–0.9...10	150 x 24 x 17	18745	IAP-03-7,0
	22	Polyamide	3 screws, M3x14	–0.9...10	115 x 18 x 8	18648	IAP-03.4,0
	5	Reinforced polyamide	Thread M8	–	10.5/–/–	177672	ISK-M8
	5		Thread M12	–	13.5/–/–	165592	ISK-M12
	7	Polyamide	Pushed in by hand	–	4.8/–/–	18787	ASI-KK-FK

Cover caps

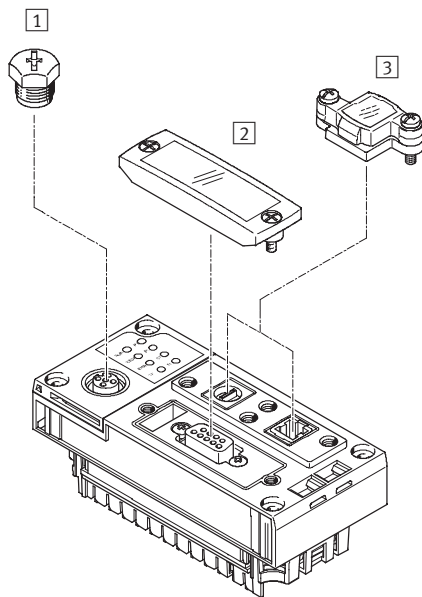
Technical data

FESTO

Operating and environmental conditions							
Type	AK-SUB-9/15	AK-SUB-9/15-B	AK-RJ45	CPX-M-AK-C	CPX-M-AK-M	ASI-KK-FK	ISK-...
Ambient temperature [°C]	-5 ... +50	-5 ... +50	-5 ... +50	-5 ... +50	-5 ... +50	-5 ... +50	-10 ... +50
Storage temperature [°C]	-	-	-	-40 ... +70	-	-	-
Corrosion resistance class CRC ¹⁾	2	1	1	1	1	1	-
Note on materials	RoHS-compliant	-	-	RoHS-compliant	RoHS-compliant	RoHS-compliant	-
Relative air humidity	non-condensing	-	non-condensing	5 ... 90%, non-condensing	5 ... 90%, non-condensing	non-condensing	-
Fire protection classification to UL 94	-	-	-	V0	-	-	-
Protection class to EN 60529 (pre-assembled)	IP65/IP67	IP65/IP67	IP65/IP67	IP65/IP67	IP65/IP67	IP65	IP65

- 1) Corrosion resistance class 1 as per Festo standard 940 070
Components subject to low corrosion stress. Transport and storage protection. Parts that do not have primarily decorative surface requirements, e.g. in internal areas that are not visible or behind covers.
- 2) Corrosion resistance class 2 as per Festo standard 940 070
Components subject to moderate corrosion stress. Externally visible parts with primarily decorative surface requirements which are in direct contact with a normal industrial environment or media such as coolants or lubricating agents.

Examples for attaching cover caps



Cover caps are required for unused connections in order to seal them.

- 1 ISK-M12
- 2 AK-SUB-9/15-B
- 3 AK-RJ45