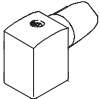

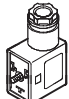
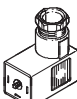
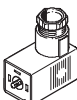

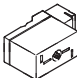
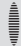


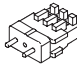


Plug sockets

Product range overview

Design	Type	For solenoid coil (valves with solenoid coil)											→ Page/Internet
		D	E	EB	F	N1	N2	V	Y	Z	ZB	ZC	
	MSSD-F MSSD-F-M16 MSSD-F-S-M16	-	-	-	■	-	-	-	-	-	-	-	2
	MSSD-C MSSD-C-M16 MSSD-C-S-M16	■	-	-	-	■	-	-	-	-	-	-	3
	MSSD-V MSSD-V-M16	-	-	-	-	-	-	■	-	-	-	-	5
	MSSD-E MSSD-E-M12	-	■	-	-	-	-	-	-	-	-	-	6
	MSSD-EB MSSD-EB-M12 MSSD-EB-S-M14	-	-	■	-	-	■	-	-	-	-	-	7
	MSSD-MY ¹	-	-	-	-	-	-	-	■	■	-	-	8
	MSSD-ZBZC	-	-	-	-	-	-	-	-	-	■	■	9

¹ - To be discontinued

 Note
Allocation of solenoid coils to valve types → 2

Design	Type	For miniature valves	For proportional valves	For valves with central plug		→ Page/Internet
		MHA1...-PI/ MHP1...-PI	MPPE/MPPES	ISO 15 407-1	ISO 5599-1	
	PCBC	■	-	-	-	10
	MPPE-3-B	-	■	-	-	11
	SEA-M12-4WD-PG7	-	-	■	■	14

Plug sockets MSSD-F

Technical data

FESTO

- Temperature range
-20 ... +115 °C
-25 ... +90 °C

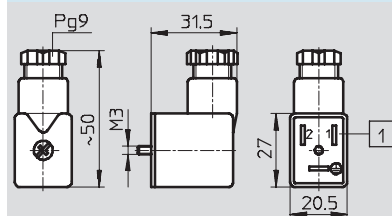
- For valves with F solenoid coils
- Cable connection using clamping screws or insulation displacement technology



General technical data			
Type	MSSD-F	MSSD-F-M16	MSSD-F-S-M16
Cable connection	Clamping screws	Clamping screws	Insulation displacement technology
Perm. cable diameter [mm]	6 ... 8	6 ... 8	5.5 ... 8
Wire cross section [mm ²]	Max. 1.5	0,75	0.5 ... 1
Number of pins	3	3	3
Cable conduit fitting	Pg9	M16	-
Type of mounting	M3 central screw	M3 central screw	M3 central screw
Connection frequency	-	50	10
Protection class to EN 60529	IP65 (assembled)	IP65 (assembled)	IP67 (assembled)
Mounting position	Any	Any	Any
Ambient temperature [°C]	-25 ... +90	-20 ... +115	-25 ... +90
Product weight [g]	17	35	35
Materials	Polymer	Polyamide	Polyamide

Dimensions

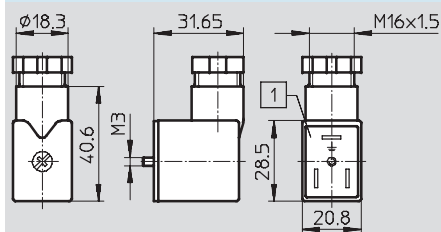
MSSD-F



1 Insert can be repositioned by 180°

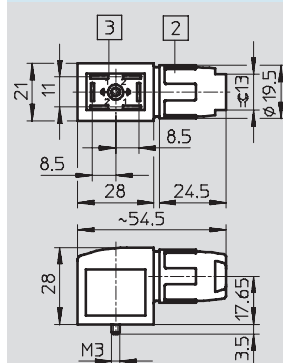
Download CAD data → www.festo.com

MSSD-F-M16



1 Insert can be repositioned by 180°

MSSD-F-S-M16



- 2 Locknut M16x1
- 3 Connection side can be repositioned by 90°

With these plug sockets, instead of the cable being connected using individual clamping screws, the stranded wires are pressed into the patented insulation displacement contact when the screw is tightened.

- Strip the cable sheath
- Push it in
- Screw it in tightly
- And you're done!

Ordering data

Part No.	Type	Cable connection	Part No.	Type	Cable connection
34431	MSSD-F	Clamping screws	192746	MSSD-F-S-M16	Insulation displacement technology
539710	MSSD-F-M16				

Plug sockets MSSD-C

Technical data

FESTO

- Temperature range
-25 ... +90 °C
-20 ... +115 °C

- For valves with D and N1 solenoid coils
- Cable connection using clamping screws or insulation displacement technology



General technical data			
Type	MSSD-C	MSSD-C-M16	MSSD-C-S-M16
Cable connection	Clamping screws	Clamping screws	Insulation displacement technology
Perm. cable diameter [mm]	6 ... 8	6 ... 8	5.5 ... 8
Wire cross section [mm ²]	Max. 1.5	Max. 1.5	0.5 ... 1
Number of pins	3	3	3
Cable conduit fitting	Pg9	M16	M16
Type of mounting	M3 central screw	M3 central screw	M3 central screw
Connection frequency	–	50	10
Protection class to EN 60 529	IP65 (assembled)	IP65 (assembled)	IP67 (assembled)
Mounting position	Any	Any	Any
Product weight [g]	22		38
Materials	Polymer	Polyamide, reinforced	Polyamide
Note on materials	RoHS-compliant	–	–

Operating and environmental conditions			
Type	MSSD-C	MSSD-C-M16	MSSD-C-S-M16
Ambient temperature [°C]	–25 ... +90	–20 ... +115	–25 ... +90
CE-marking (see declaration of conformity)	in accordance with EU low-voltage directive	–	–
Certification	Germanischer Lloyd	–	–

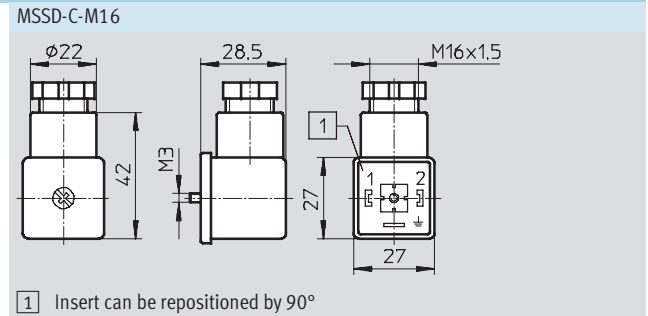
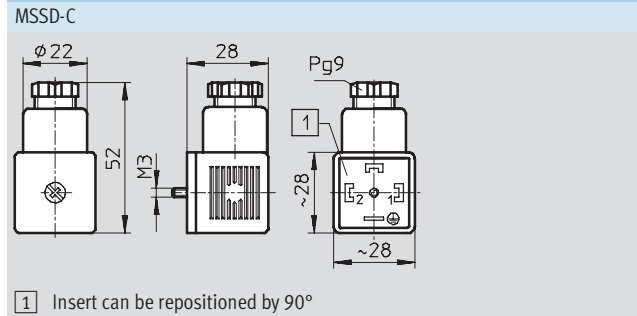
Plug sockets MSSD-C

Technical data

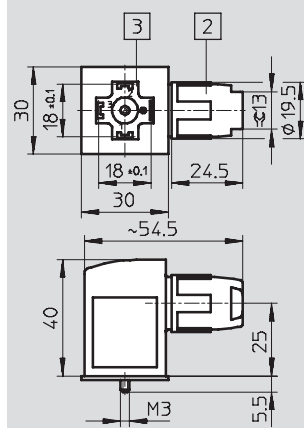
FESTO

Dimensions

Download CAD data → www.festo.com



MSSD-C-S-M16



With these plug sockets, instead of the cable being connected using individual clamping screws, the stranded wires are pressed into the patented insulation displacement contact when the screw is tightened.

- Strip the cable sheath
- Push it in
- Screw it in tightly
- And you're done!

- 2 Locknut M16x1
3 Connection side can be repositioned by 90°


Ordering data

Clamping screws		Insulation displacement technology	
Part No.	Type	Part No.	Type
34583	MSSD-C	192748	MSSD-C-S-M16
539709	MSSD-C-M16		

Plug sockets MSSD-V

Technical data

FESTO

-  Temperature range
-25 ... +90 °C
-20 ... +115 °C

- For valves with V solenoid coils



General technical data		
Type	MSSD-V	MSSD-V-M16
Perm. cable diameter [mm]	6 ... 8	6 ... 8
Wire cross section [mm ²]	Max. 1.5	Max. 1.5
Number of pins	3	3
Cable conduit fitting	Pg9	M16x1.5
Type of mounting	M3 central screw	M3 central screw
Protection class to EN 60529	IP65 (assembled)	IP65 (assembled)
Mounting position	Any	Any
Ambient temperature [°C]	-25 ... +90	-20 ... +115
Product weight [g]	18	35
Materials	Polymer	Polymer

Dimensions


MSSD-V

1 Insert can be repositioned by 180°

Download CAD data → www.festo.com

MSSD-V-M16


1 Insert can be repositioned by 180°

Ordering data			
	Description	Part No.	Type
	Plug socket for valves with V solenoid coils	33295	MSSD-V
		539713	MSSD-V-M16

Plug sockets MSSD-E

Technical data

FESTO


 Temperature range
 -25 ... +120°C

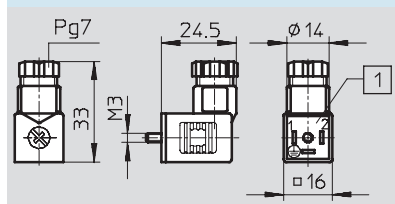
• For valves with E solenoid coils



General technical data		
Type	MSSD-E	MSSD-E-M12
Perm. cable diameter [mm]	6 ... 8	4 ... 8
Wire cross section [mm ²]	Max. 0.75	Max. 0.75
Number of pins	3	3
Cable conduit fitting	Pg7	M12
Type of mounting	M3 central screw	M3 central screw
Protection class to EN 60529	IP65 (assembled)	IP65 (assembled)
Mounting position	Any	Any
Ambient temperature [°C]	-25 ... +120	-20 ... +115
Product weight [g]	8	11
Materials	Polymer	Polymer

Dimensions

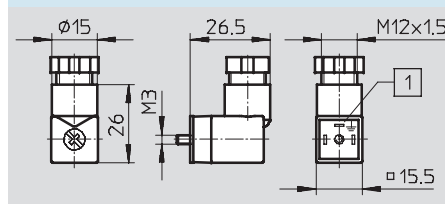
MSSD-E



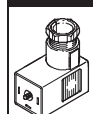
1 Insert can be repositioned by 90°

Download CAD data → www.festo.com

MSSD-E-M12



1 Insert can be repositioned by 90°

Ordering data			
	Description	Part No.	Type
	Plug socket for valves with E solenoid coils	14098	MSSD-E
		539711	MSSD-E-M12

Plug sockets MSSD-EB

Technical data

FESTO

- Temperature range
-45 ... +90°C
-40 ... +120°C

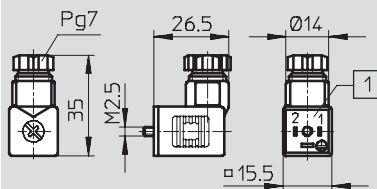
- For valves with EB and N2 solenoid coils



General technical data			
Type	MSSD-EB	MSSD-EB-M12	MSSD-EB-S-M14
Cable connection	Clamping screws	Clamping screws	Insulation displacement technology
Perm. cable diameter [mm]	6 ... 8	6 ... 8	4 ... 6
Wire cross section [mm ²]	Max. 0.75	Max. 1,5	0.25 ... 0.5
Number of pins	3	3	3
Cable conduit fitting	Pg7	M12	-
Type of mounting	M2.5 central screw	M2.5 central screw	M2.5 central screw
Connection frequency	-	50	10
Protection class to EN 60529	IP65 (assembled)	IP65 (assembled)	IP67 (assembled)
Mounting position	Any	Any	Any
Ambient temperature [°C]	-45 ... +90	-40 ... +125	-25 ... +90
Product weight [g]	11	11	17
Materials	Polymer	Polyamide	Polyamide

Dimensions

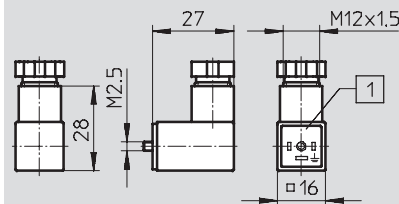
MSSD-EB



1 Insert can be repositioned by 90°

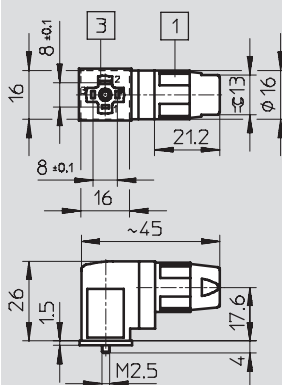
Download CAD data → www.festo.com

MSSD-EB-M12



1 Insert can be repositioned by 90°

MSSD-EB-S-M14



- 1 Locknut M14x1
- 3 Connection side can be repositioned by 90°

With these plug sockets, instead of the cable being connected using individual clamping screws, the stranded wires are pressed into the patented insulation displacement contact when the screw is tightened.

- Strip the cable sheath
- Push it in
- Screw it in tightly
- And you're done!

Ordering data

Part No.	Type	Cable connection	Part No.	Type	Cable connection
151687	MSSD-EB	Clamping screws	192745	MSSD-EB-S-M14	Insulation displacement technology
539712	MSSD-EB-M12				

Do not use for new designs!
 -  - Type to be discontinued

Plug sockets MSSD-MY

Technical data

FESTO

-  - Temperature range
 -25 ... +80°C

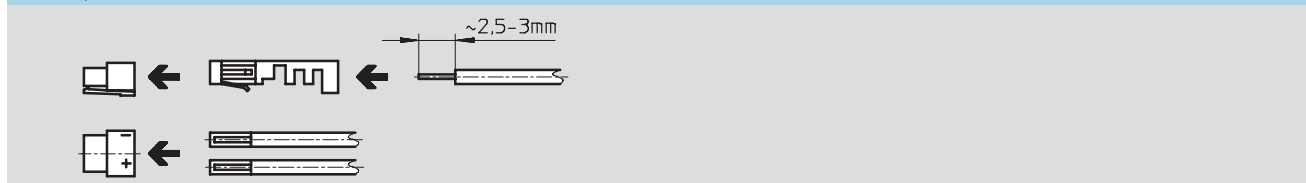
• For valves with Y and Z solenoid coils

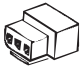



General technical data		
Perm. cable diameter	[mm]	6 ... 8
Wire cross section	[mm ²]	Max. 0.3
Number of pins		2
Type of mounting		Clip
Protection class to EN 60 529		IP00
Mounting position		Any
Ambient temperature	[°C]	-25 ... +80
Product weight	[g]	2
Materials		Polymer

Assembly instructions for MSSD-MY and MSSD-MY-C

Download CAD data → www.festo.com



Ordering data			
	Description	Part No.	Type
	Plug socket for valves with Y and Z solenoid coils	34 345	MSSD-MY
	Crimp connectors for plug socket MSSD-MY	34 346	MSSD-MY-C

Plug sockets MSSD-ZBZC

Technical data

 Temperature range
 -10 ... +50°C

• For valves with ZB and ZC solenoid coils




General technical data	
Wire cross section [mm ²]	0.22 ... 0.34
Number of pins	2
Type of mounting	Self-tapping central screw
Protection class to EN 60 529	IP40 (assembled)
Mounting position	Any
Ambient temperature [°C]	-10 ... +50
Product weight [g]	11
Material	Polyamide

Dimensions

Download CAD data → www.festo.com

- 1 Mounting screw
- 2 Inscription label
- 4 Connection pattern for ZB solenoid coil
- 5 Connection pattern for ZC solenoid coil

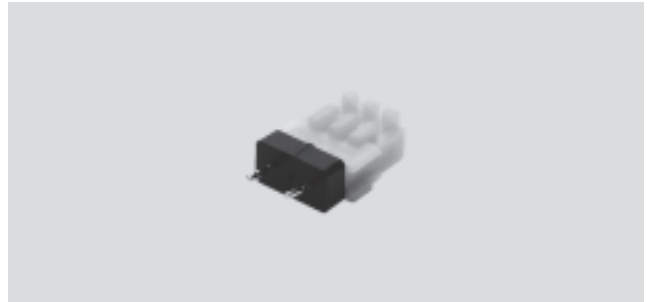
Ordering data		
Description	Part No.	Type
 Plug socket for valves with ZB and ZC solenoid coils	185 521	MSSD-ZBZC

Soldering base PCBC

Technical data

Temperature range
-40 ... +115°C

- For mounting miniature valves MHA1 and MHP1 on a PCB with plug connection underneath (-PI)



General technical data		
Number of pins		2
Type of mounting		Soldering base
Protection class to EN 60 529		IP40 (assembled)
Mounting position		Any
Ambient temperature	[°C]	-40 ... +115
Product weight	[g]	5
Materials		Polyamide

Dimensions Download CAD data → www.festo.com



Ordering data				
	Description	Part No.	Type	PU ¹⁾
	Soldering base	197 261	PCBC-A-10	10
		197 262	PCBC-A-100	100

1) Packaging unit quantity

Plug sockets MPPE-3-B

Technical data

FESTO


 - Temperature range
 -40 ... +85°C

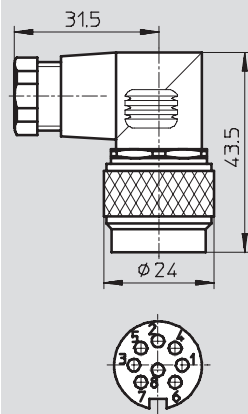
• For proportional pressure regulators MPPE and MPPES




General technical data		
Wire cross section	[mm ²]	Max. 0.75
Number of pins		8
Type of mounting		Knurled locknut M16x0.75
Mounting position		Any
Ambient temperature	[°C]	-40 ... +85
Product weight	[g]	42

Dimensions

Download CAD data → www.festo.com



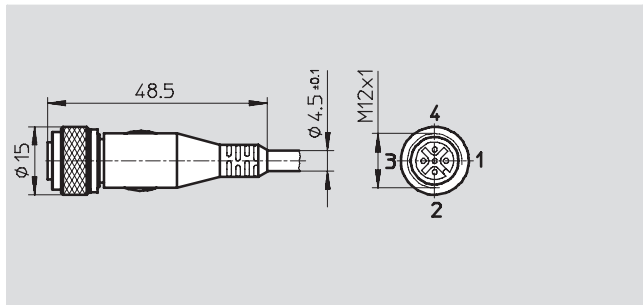
Ordering data		
	Description	Part No. Type
	Plug socket for proportional pressure regulators MPPE and MPPES	161 839 MPPE-3-B

Plug sockets with cable SIM

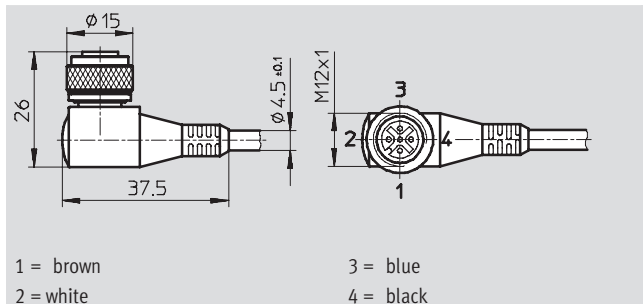
Technical data – M12x1, 4-pin

FESTO

SIM-M12-4GD-5-PU



SIM-M12-4WD-5-PU



General technical data			
			SIM-M12-4...-5-PU
Electrical data			
Electrical connection		Straight or angled socket, M12x1, 4-pin	
Acceptable current load	[A]	2.8	
Operating voltage range	AC	[V]	≤45
	DC	[V]	≤70
Protection class to EN 60 529		IP65/IP67	
Design			
Cable length	[m]	5	
Cable composition	[mm ²]	4x 0.25	
Wire ends		Tin-plated	
Ambient temperature			
Fixed cable installation	[°C]	-40 ... +70	
Flexible cable installation	[°C]	-5 ... +70	
Materials			
Cable sheath		Polyurethane	

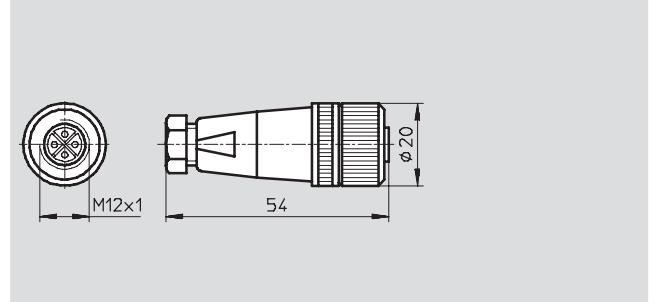
Ordering data					
		Part No.	Type	Part No.	Type
Connection direction		In-line		Lateral	
Cable length [m]	5	164 259	SIM-M12-4GD-5-PU	164 258	SIM-M12-4WD-5-PU

Plug sockets SIE

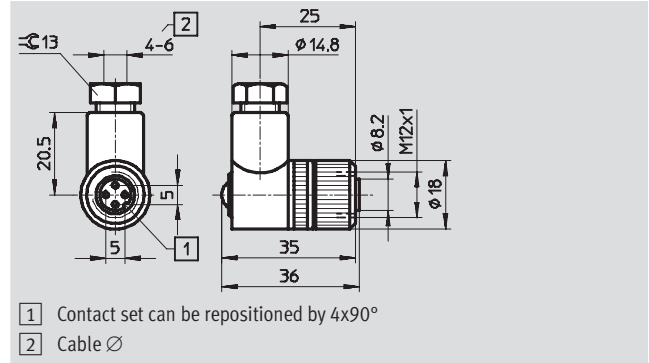
Technical data

FESTO

Straight connection socket



Angled connection socket



General technical data			In-line	Lateral
Connection direction			Straight socket, M12x1, 4-pin	Angled socket, M12x1, 4-pin
Operating voltage range	AC	[V]	0 ... 250	
	DC	[V]	0 ... 250	
Acceptable current load at 40 °C		[A]	4	
Surge capacity		[kV]	2.5	
Cable connection			Screw terminal	
Permissible cable diameter		[mm]	4 ... 6	
Connection cross section		[mm ²]	0.25 ... 0.75	
Max. tightening torque		[Nm]	0.5	
Protection class to EN 60529			IP67 (assembled)	
Conforms to			EN 61076-2-101, EN 61984	
Housing material			Polyamide	
Union nut material			Polyamide	
Note on materials			RoHS-compliant	

Operating and environmental conditions		
Ambient temperature	[°C]	-25 ... +85
CE mark (see declaration of conformity)		
To EU Low Voltage Directive		
Degree of contamination		
3		

Ordering data				
	Part No.	Type	Part No.	Type
Connection direction		In-line	Lateral	
Plug socket	18 494	SIE-GD	12 956	SIE-WD-TR

Plug sockets SEA-M12-WD

Technical data

FESTO

• Temperature range
-40 ... +85°C

• For valves to ISO 15 407-1
(VDMA 24 563) and ISO 5599-1
with central plug M12x1



General technical data		
Perm. cable diameter	[mm]	4 ... 6
Wire cross section	[mm ²]	Max. 0.75
Number of pins		4
Cable conduit fitting		Pg7
Type of mounting		Knurled locknut M12x1
Protection class to EN 60 529		IP67 (assembled)
Mounting position		Any
Ambient temperature	[°C]	-40 ... +85
Product weight	[g]	30
Material	Housing	Polybutylene terephthalate
	Contacts	Tin-coated bronze

Dimensions Download CAD data → www.festo.com

1 Contact set can be repositioned by 4x90°
2 Perm. cable diameter

Ordering data			
	Description	Part No.	Type
	Plug socket for valves to ISO 15 407-1 (VDMA 24 563) and ISO 5599-1 with central plug M12x1	185 498	SEA-M12-4WD-PG7

Plug sockets KMYZ-4

Technical data

FESTO

 Temperature range
 -10 ... +50 °C

- For use with intrinsically safe CPV valve terminals




General technical data	
Electrical connection	Angled socket, square design MSZB
Wire cross section [mm ²]	0.22 ... 0.34
Number of pins	2
Type of mounting	Self-tapping central screw
Protection class to EN 60529	IP40 (assembled)
Operating voltage range [V DC]	3 ... 36
Nominal operating voltage [V DC]	24
Mounting position	Any
Ambient temperature [°C]	-10 ... +50
Product weight [g]	6.5
Housing material	Polyamide
Note on material	Conforms to RoHS
Corrosion resistance class CRC ¹⁾	1
Certification	Germanischer Lloyd

1) Corrosion resistance class 1 to Festo standard 940 070
 Components requiring low corrosion resistance. Transport and storage protection. Parts that do not have primarily decorative surface requirements, e.g. in internal areas that are not visible or behind covers.

Dimensions Download CAD data → www.festo.com

- 1 Mounting screw
- 2 Inscription label IBS-6x10
- 4 Pin allocations for ZB solenoid coil
- 5 Pin allocations for ZC solenoid coil

Ordering data		
	Description	Part No. Type
	Plug socket for use with intrinsically safe CPV valve terminals	550 806 KMYZ-4-0.0-B-EX