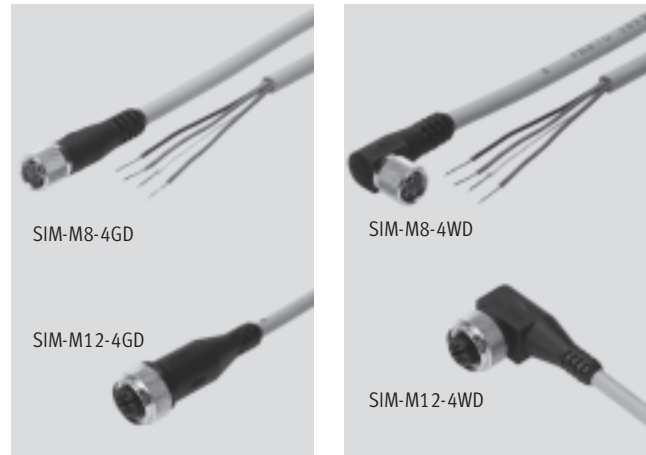


Electrical connection technology, for individual connection

Technical data – SIM

- Plug socket with cable for connecting individual valves or sensors (signal generators)
- Pre-assembled
- Cable lengths of 2.5 m or 5 m
- 4-pin or 5-pin plug socket
- Not suitable for chain link trunking



General technical data		
Type	SIM-...	
Type of mounting	Union nut	
Mounting position	Any	
Operating voltage range	[V AC]	45
	[V DC]	70
Protection class to EN 60 529	IP65/IP67 (assembled)	
Material of housing	Polyurethane	
Material of contacts	Nickel-plated/gold-plated bronze	
Material of union nut	Nickel-plated/chrome-plated brass	
Material of cable sheath	Polyurethane	
Material note	RoHS compliant	
Ambient temperature	[°C]	-40 ... +70
Ambient temperature of flexible cable installation	[°C]	-5 ... +70

Ordering data								
	Electrical connection	Current-carrying capacity [A]	Constructional design [mm ²]	Cable diameter [mm]	Product weight [g]	Cable length [m]	Type	Part No.
	Straight socket, 4-pin, M8	2.8	4x0.25	4.5	86	2.5	SIM-M8-4GD-2,5-PU	158 960
	Straight socket, 4-pin, M8	2.8	4x0.25	4.5	159	5	SIM-M8-4GD-5-PU	158 961
	Angled socket, 4-pin, M8	2.8	4x0.25	4.5	85	2.5	SIM-M8-4WD-2,5-PU	158 962
	Angled socket, 4-pin, M8	2.8	4x0.25	4.5	154	5	SIM-M8-4WD-5-PU	158 963
	Straight socket, 4-pin, M12	2.8	4x0.25	4.5	158	5	SIM-M12-4GD-5-PU	164 259
	Angled socket, 4-pin, M12	2.8	4x0.25	4.5	162	5	SIM-M12-4WD-5-PU	164 258
	Straight socket, 5-pin, M12	4	5x0.25	5	96	2.5	SIM-M12-5GD-2,5-PU	175 715
	Straight socket, 5-pin, M12	4	5x0.25	5	191	5	SIM-M12-5GD-5-PU	175 716

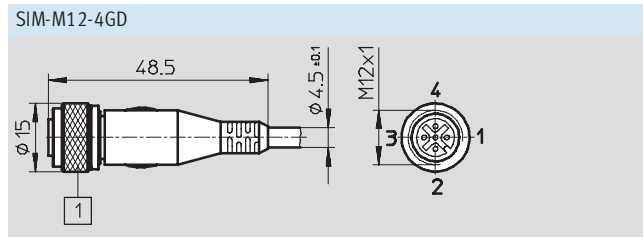
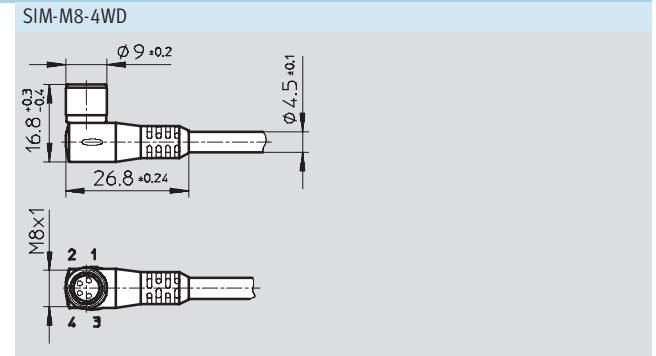
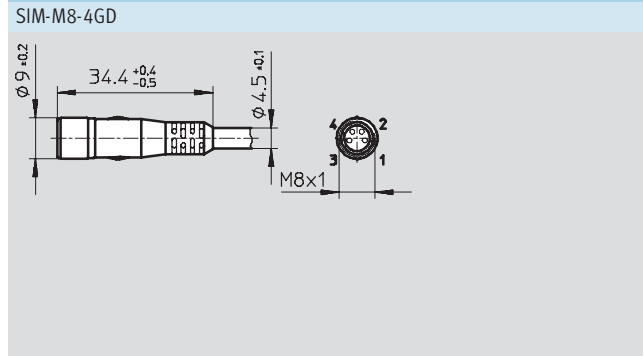
Electrical connection technology, for individual connection

FESTO

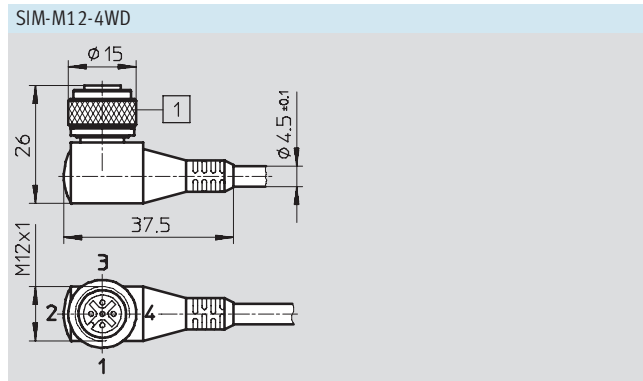
Technical data – SIM

Dimensions

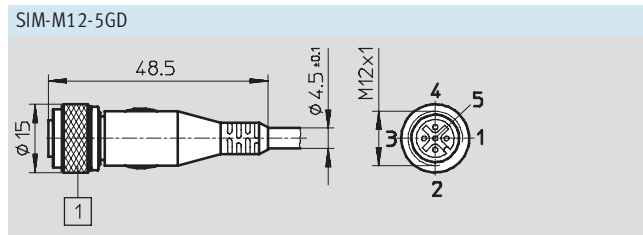
Download CAD data → www.festo.com/en/engineering



1 M12 union nut



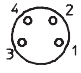
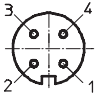
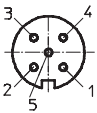
1 M12 union nut



1 M12 union nut

Electrical connection technology, for individual connection

Technical data – SIM

Wiring allocation (socket view)		
SIM-M8, 4-pin		
	Pin	Core colour
	1	Brown
	2	White
	3	Blue
4	Black	
SIM-M12, 4-pin		
	Pin	Core colour
	1	Brown
	2	White
	3	Blue
4	Black	
SIM-M12, 5-pin		
	Pin	Core colour
	1	Brown
	2	White
	3	Blue
	4	Black
5	Grey	