

**Sealing material**

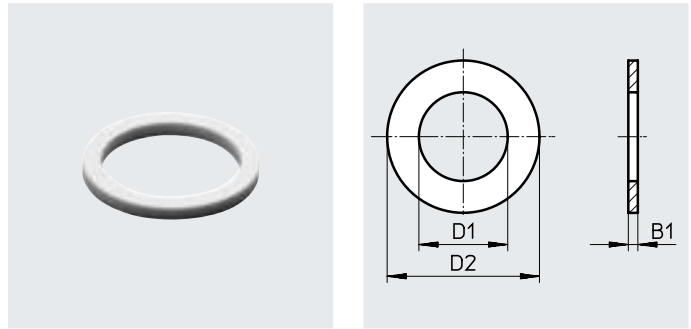
**FESTO**



# Sealing ring O

## Datasheet

### Sealing ring O



#### Materials

Seals	PVC
Note on materials	RoHS-compliant

#### Dimensions and ordering data

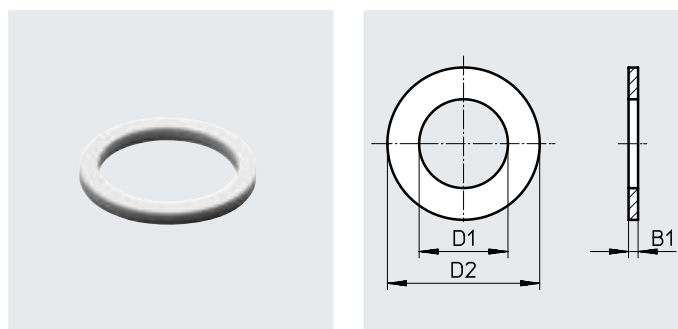
For thread	Nominal tightening torque [Nm]	D1	D2	B1	LABS (PWIS) conformity	Weight/ piece [g]	Part no.	Type	PU <sup>1)</sup>
M3	–	2.8	4.8	0.3	VDMA24364-B1/B2-L	0.12	30290	O-M3-B	1
M5	1.78 ±20%	5.1	8	1	VDMA24364-B1/B2-L	0.05	3565	O-M5	1
					VDMA24364-B2-L	–	534226	O-M5-500	500
G1/8	10.55 ±20%	10	13	1.5	VDMA24364-B1/B2-L	0.12	2223	O-1/8	1
					VDMA24364-B2-L	–	534227	O-1/8-500	500
G1/4	9.05 ±20%	13.2	18	2	VDMA24364-B1/B2-L	0.31	2224	O-1/4	1
					VDMA24364-B2-L	–	534228	O-1/4-200	200
G3/8	38.5 ±20%	16.8	22	2	VDMA24364-B1/B2-L	0.4	2225	O-3/8	1
					VDMA24364-B2-L	–	534229	O-3/8-200	200
G1/2	47.9 ±20%	21	28	2	VDMA24364-B1/B2-L	0.72	2226	O-1/2	1
					VDMA24364-B2-L	–	534230	O-1/2-100	100
G3/4	45 ±20%	26.5	33	2	VDMA24364-B1/B2-L	0.83	2227	O-3/4	1
G1	–	33.3	38.9	2	VDMA24364-B1/B2-L	0.8	210893	O-1	1

1) Packaging unit

## Datasheet

### Sealing ring CRO

Sealing ring CRO for use in the chemical or food industries



General technical data	
Mounting position	Any
Operating and environmental conditions	
Operating medium	Compressed air to ISO 8573-1:2010 [7:-:-]
Note on the operating/pilot medium	Lubricated operation possible
Food-safe <sup>1)</sup>	See supplementary material information

1) More information: [www.festo.com/catalogue/cro](http://www.festo.com/catalogue/cro) → Support/Downloads.

Materials	
Seals	PVDF
Note on materials	RoHS-compliant
LABS (PWIS) conformity	VDMA24364-B1/B2-L



Dimensions and ordering data							
Pneumatic connection	D1	D2	B1	Weight/piece [g]	Part no.	Type	PU <sup>1)</sup>
M5	5.1	8	1	0.05	165191	CRO-M5	1
G1/8	10	13	2	0.19	575895	CRO-1/8	1
G1/4	13.2	18	2	0.42	165193	CRO-1/4	1
G3/8	16.8	22	2	0.56	165194	CRO-3/8	1
G1/2	21	28	2	0.96	165195	CRO-1/2	1
G3/4	26.5	33	2	1.08	165196	CRO-3/4	1
G1	33.3	38.9	2	1.13	165197	CRO-1	1

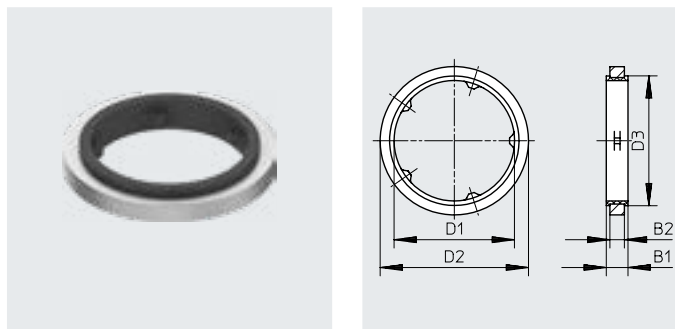
1) Packaging unit

# Sealing ring OL

## Datasheet

### Sealing ring OL With metal housing

-  Temperature range  
-40 ... +100 °C
-  Pressure -0.095 ... +3 MPa



- Based on ISO 16030
- Creates a seal when hand-tightened at room temperature
- Captive design
- Re-usable
- Compatible with the existing sealing rings O and OK

#### Operating and environmental conditions

Operating pressure for entire temperature range	[MPa]	-0.095 ... +3
	[bar]	-0.95 ... +30
	[psi]	-13.775 ... +435
Based on standard		ISO 16030
Hand-tightened at RT		Yes
Ambient temperature	[°C]	-40 ... +100
Suitable for the production of lithium-ion batteries		Metals with more than 1% by mass of copper, zinc or nickel are excluded from use. Exceptions are nickel in steel, chemically nickel-plated surfaces, printed circuit boards, cables, electrical plug connectors and coils
Cleanroom class		Element installed statically, no meaningful evaluation possible according to ISO 14644-1
Corrosion resistance class CRC <sup>1)</sup>		2 - Moderate corrosion stress

1) More information [www.festo.com/x/topic/crc](http://www.festo.com/x/topic/crc)

#### Materials

Stop ring	Aluminium
Seal	HNBR
Note on materials	RoHS-compliant
LABS (PWIS) conformity	VDMA24364-B2-L

#### Dimensions and ordering data

Pneumatic connection	Nominal tightening torque [Nm]	D1	D2	D3	B1	B2	Weight/ piece [g]	Part no.	Type	PU <sup>1)</sup>
M5	2.5 ±20%	5.4	7.7 ±0.1	6.8	1.5	0.8	0.06	34634	OL-M5	1
								534231	OL-M5-500	500
M6	2.5 ±20%	6.4	8.3 ±0.1	7.4	1.5	0.8	0.05	161180	OL-M6	1
M7	3 ±20%	7.4	10.1 ±0.1	8.5	1.7	1	0.1	8153155	OL-M7	1
G1/8	6 ±20%	10.2	13 ±0.1	11.6	1.7	1	0.14	33840	OL-1/8	1
								534232	OL-1/8-500	500
G1/4	10 ±20%	13.7	17 ±0.1	15.1	2.2	1.5	0.32	34635	OL-1/4	1
								534233	OL-1/4-200	200
G3/8	13 ±20%	17.3	21 ±0.1	18.8	2.7	2	0.57	34636	OL-3/8	1
								534234	OL-3/8-200	200
G1/2	23 ±20%	21.6	25.2 ±0.1	23.2	2.7	2	0.68	34637	OL-1/2	1
								534235	OL-1/2-100	100
G3/4	23 ±20%	27	31.1 ±0.1	29	2.7	2	0.95	34638	OL-3/4	1
G1	23 ±20%	33.8	37.6 ±0.1	35.6	2.7	2	1.09	8153156	OL-1	1


1) Packaging unit


## Datasheet

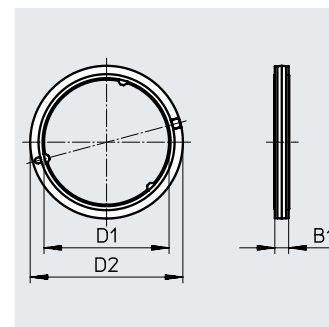
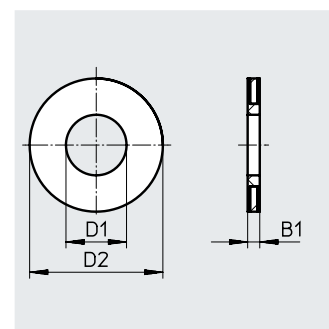
### Sealing ring OK

With support ring

- Based on ISO 16030
- Creates a seal when hand-tightened at room temperature and also when tightened using appropriate tools
- Captive design
- Compatible with the existing sealing rings O and OL

 Temperature range  
-10 ... +60 °C

 Pressure -0.095 ... +1 MPa



#### Operating and environmental conditions

Operating pressure for entire temperature range	[MPa]	-0.095 ... +1
	[bar]	-0.95 ... +10
	[psi]	-13.775 ... +145
Operating medium	Compressed air to ISO 8573-1:2010 [7:4:4]	
Note on the operating/pilot medium	Lubricated operation possible (in which case lubricated operation will always be required)	
Based on standard	ISO 16030	
Hand-tightened at RT	Yes	
Ambient temperature	[°C]	-10 ... +60
Corrosion resistance class CRC <sup>1)</sup>	2 - Moderate corrosion stress	

1) More information [www.festo.com/x/topic/crc](http://www.festo.com/x/topic/crc)

#### Materials

Pneumatic connection	M thread	G thread
Stops	High-alloy stainless steel	Reinforced PA
Seal	NBR	TPE-U(PU)
Note on materials	RoHS-compliant	
LABS (PWIS) conformity	VDMA24364-B2-L	

#### Dimensions and ordering data

Pneumatic connection	Nominal tightening torque [Nm]	D1	D2	B1	Weight [g]	Part no.	Type	PU <sup>1)</sup>
<b>Stainless steel, nitrile rubber</b>								
M3	0.48 ±55%	2.5	5.0	0.5	0.1	130849	OK-M3	1
M5	1.33 ±20%	4.3	7.8	0.5	0.1	130850	OK-M5	1
M7	3.35 ±20%	6.4	9.8	0.5	0.1	130851	OK-M7	1
<b>Polyamide, thermoplastic polyurethane</b>								
G1/8	3.5 ±20%	9.9	13.2	1.60	0.12	531771	OK-1/8	1
G1/4	11 ±10%	13.3	18.3	2.20	0.32	531772	OK-1/4	1
G3/8	12.5 ±20%	16.8	22.3	2.20	0.44	531773	OK-3/8	1
G1/2	14 ±20%	21.2	26.7	2.35	0.6	531774	OK-1/2	1
G3/4	35 ±10%	26.7	32.6	2.95	1	531775	OK-3/4	1

1) Packaging unit

## Sealing ring assortment

### Datasheet

#### Sealing ring assortment OL-S1

This box of polymer sealing rings contains sealing rings OL ranging in size from M5 to G3/4, ensuring the right sealing ring is available.



#### Materials

Note on materials	RoHS-compliant
LABS (PWIS) conformity	VDMA24364-B1/B2-L

#### Ordering data

Table of contents	Pack size	Nominal tightening torque [Nm]	Corrosion resistance class CRC <sup>1)</sup>	Part no.	Type
OL-M5	50	2.5 ±20%	1 - Low corrosion stress	161355	OL-S1
OL-1/8	100	6 ±20%			
OL-1/4	100	10 ±20%			
OL-3/8	40	13 ±20%			
OL-1/2	30	23 ±20%			
OL-3/4	10	23 ±20%			

1) More information [www.festo.com/x/topic/crc](http://www.festo.com/x/topic/crc)

#### Sealing ring assortment OK-S1

This sealing ring assortment contains sealing rings OK ranging in size from M3 to G3/4, ensuring the right sealing ring is available.



#### Materials

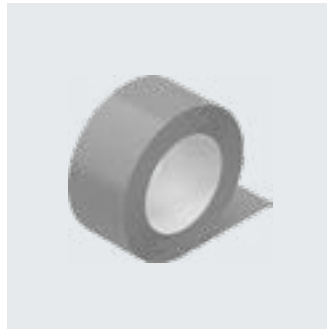
Note on materials	RoHS-compliant
LABS (PWIS) conformity	VDMA24364-B1/B2-L

#### Ordering data

Table of contents	Pack size	Nominal tightening torque [Nm]	Weight [g]	Part no.	Type
OK-M3	50	0.48 ±55%	0.1	570465	OK-S1
OK-M5	100	1.33 ±20%	0.1		
OK-M7	50	3.35 ±20%	0.1		
OK-1/8	100	3.5 ±20%	0.12		
OK-1/4	100	11 ±10%	0.32		
OK-3/8	40	12.5 ±20%	0.44		
OK-1/2	30	14 ±20%	0.6		
OK-3/4	10	35 ±10%	1		

## Datasheet

## Thread sealing tape GWB-0.1



Ordering data					
Width [mm]	Length [m]	Note on materials	LABS (PWIS) conformity	Part no.	Type
12	12	RoHS-compliant	VDMA24364-B1/B2-L	<b>9076</b>	<b>GWB-0.1</b>