

Electrical connection technology, for multi-pin plug connection

Technical data

Connecting cable NEBV-S1W25

- Connecting cable for multi-pin plug connection
- Pre-assembled
- Cable lengths 2.5 m, 5 m or 10 m
- 18, 25 or 40 wires
- Sub-D



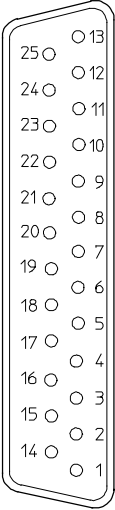
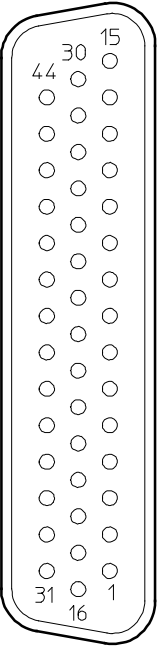
General technical data			
	NEBV-S1W25-...-LE15	NEBV-S1W25-...-LE25	NEBV-S1W44-...-LE39
Electrical connection	Socket, Sub-D, 25-pin	Socket, Sub-D, 25-pin	Socket, Sub-D, 44-pin
Cable composition [mm ²]	18x0.34	25x0.25	40x0.14
Cable diameter [mm]	9.5	9.9	8.9
Operating voltage range [V DC]	0 ... 24	0 ... 24	0 ... 24
Acceptable current load at 40 °C [A]	2.95	1.64	0.86
Type of mounting	4-40UNC	4-40UNC	4-40UNC
Mounting position	Any	Any	Any
Protection class to EN 60529	IP65	IP65	IP65

Materials	
Housing	TPE
Pin contact	Gold-plated bronze
Cable sheath	PVC
Cable characteristics	For static applications
Note on materials	RoHS-compliant

Operating and environmental conditions	
Ambient temperature [°C]	-40 ... +80
Ambient temperature with flexible cable installation [°C]	-5 ... +80

Electrical connection technology, for multi-pin plug connection

Technical data

Circuitry (socket view)		Pin	Wire colour ¹⁾		Pin	Wire colour ¹⁾
	NEBV-S1W25-K-...-LE15			NEBV-S1W25-K-...-LE25		
	1	WH		1	WH	
	2	BN		2	BN	
	3	GN		3	GN	
	4	YE		4	YE	
	5	GY		5	GY	
	6	PK		6	PK	
	7	BU		7	BU	
	8	RD		8	RD	
	9	BK		9	BK	
	10	VT		10	VT	
	11	GY PK		11	GY PK	
	12	RD BU		12	RD BU	
	13	-		13	GN WH	
	14	-		14	BN GN	
	15	-		15	YE WH	
	16	-		16	BN YE	
	17	-		17	GY WH	
	18	-		18	BN GY	
	19	-		19	WH PK	
	20	-		20	BN PK	
	21	-		21	BU WH	
	22	-		22	BN BU	
	23	GN WH		23	RD WH	
	24	BN GN		24	BN RD	
25	YE WH		25	BK WH		
NEBV-S1W44-K-...-LE39						
	1	WH		23	WH RD	
	2	BN		24	BN RD	
	3	GN		25	WH BK	
	4	YE		26	BN BK	
	5	GY		27	GY GN	
	6	PK		28	YE GY	
	7	BU		29	PK GN	
	8	RD		30	YE PK	
	9	BK		31	GN BU	
	10	VT		32	YE BU	
	11	GY PK		33	GN RD	
	12	RD BU		34	YE RD	
	13	WH GN		35	GN BK	
	14	BN GN		36	-	
	15	WH YE		37	-	
	16	YE BN		38	-	
	17	WH GY		39	-	
	18	GY BN		40	-	
	19	WH PK		41	YE BK	
	20	PK BN		42	GY BU	
	21	WH BU		43	PK BU	
	22	BN BU		44	GY RD	

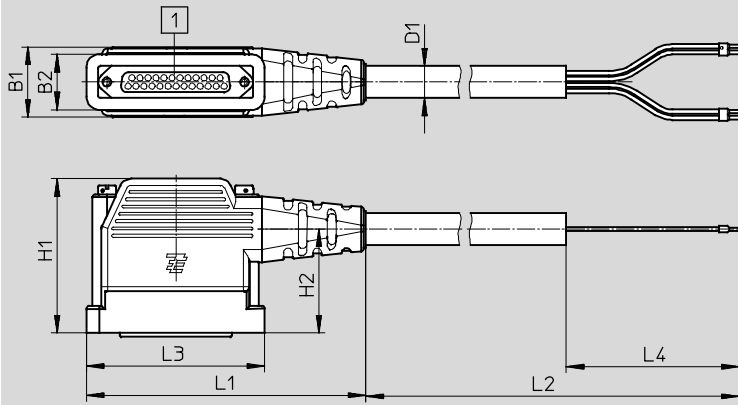
1) To IEC 757

Electrical connection technology, for multi-pin plug connection

Technical data

Dimensions

Download CAD data → www.festo.com



Type	1 Number of pins	B1	B2	D1 ∅	H1	H2	L1	L2	L3
NEBV-S1W25-K-...-LE25	25	24	19	9.5	52.7	35.5	95.5	Length according to type (2.5 m, 5 m or 10 m)	61
NEBV-S1W25-K-...-LE15	25			9.9					
NEBV-S1W44-K-...-LE39	44			8.9					

Ordering data					
Electrical connection	Cable composition	Cable length [m]	Weight [g]	Part No.	Type
Socket, Sub-D, 25-pin	18x0.34 mm ²	2.5	500	565280	NEBV-S1W25-K-2.5-N-LE15
		5	850	565281	NEBV-S1W25-K-5-N-LE15
		10	1580	565282	NEBV-S1W25-K-10-N-LE15
	25x0.25 mm ²	2.5	520	565283	NEBV-S1W25-K-2.5-N-LE25
		5	850	565284	NEBV-S1W25-K-5-N-LE25
		10	1500	565285	NEBV-S1W25-K-10-N-LE25
Socket, Sub-D, 44-pin	40x0.14 mm ²	2.5	490	565286	NEBV-S1W44-K-2.5-N-LE39
		5	850	565287	NEBV-S1W44-K-5-N-LE39
		10	1530	565288	NEBV-S1W44-K-10-N-LE39