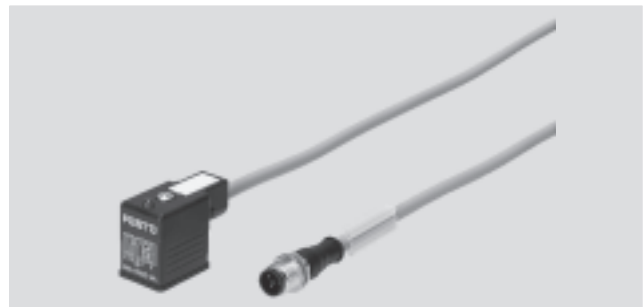


# Connecting cables NEBV, for valves

Technical data

## Connecting cable NEBV-B2W3P

- Connecting cable for AS-interface
- Pre-assembled
- Cable lengths 0.5 or 2.5 m



General technical data	
Based on standard	EN 175301-803 EN 61076-2-101
Nominal operating voltage [V DC]	24
Acceptable current load [A]	4
Switching status display	Yellow LED
Cable Ø [mm]	5.9
Conductor nominal cross section [mm <sup>2</sup> ]	0.75
Cable composition	3 x 0.75 mm <sup>2</sup>
Protective earth conductor connection	Yes
Type of mounting	Via M3 central screw Via M12 threaded connector
Max. tightening torque [Nm]	0.4 for M3 0.6 for M12x1
Mounting position	Any
Cable properties	Standard
Protection class	IP65/IP67

Materials	
Housing	PBT, TPE-U(PU)
Housing colour	Black
Screws	Steel, die-cast zinc
Pin contact	Copper alloy, tin-plated socket, gold-plated plug
Cable sheath	PVC
Cable sheath colour	Grey
Seals	TPE-U(PU)

Operating and environmental conditions	
Ambient temperature [°C]	-5 ... +70
Ambient temperature with flexible cable installation [°C]	-5 ... +70
Min. cable bending radius [mm]	59

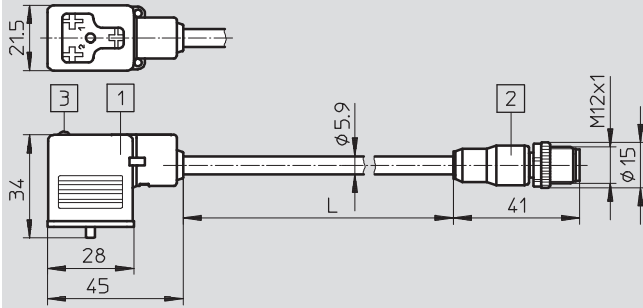
# Connecting cables NEBV, for valves

Technical data

**FESTO**

## Dimensions

Download CAD data → [www.festo.com](http://www.festo.com)



- 1 Angled socket
- 2 Straight plug M12
- 3 LED illuminated area
- L Cable length

## Ordering data

Electrical connection	Product weight [g]	Cable length L [m]	Part No.	Type
Angled socket, 3-pin, type BI, to EN 175301-803	69	0.5	542130	NEBV-B2W3P-F-0.5-M12G5
Straight plug, 5-pin, A-coded, M12x1				
Angled socket, 3-pin, type BI, to EN 175301-803	181	2.5	542133	NEBV-B2W3P-F-2.5-M12G5
Straight plug, 5-pin, A-coded, M12x1				