

Adaptable plug connectors, socket type A, EN 175301-803

Technical data

Plug socket MSSD-N

- For valves with D solenoid coil
- For valves with H solenoid coil
- For valve series VZWM-L



General technical data	
Based on standard	EN 175301-803
Electrical connection 1	
Connection type	2x socket
Cable outlet	Angled
Design type	Square
Connection technology	Connection pattern type A to EN 175301-803
Number of pins/wires	3
Type of mounting	On solenoid valve via central screw M3
Electrical connection 2	
Connection technology	Screw terminal
Cable fitting	M20x1.5
Cable diameter [mm]	8 ... 10
Nominal conductor cross section [mm ²]	1.5

Technical data – Electrical		
Operating voltage range	[V DC]	0 ... 24
	[V AC]	0 ... 250
Current load at 40 °C	[A]	16

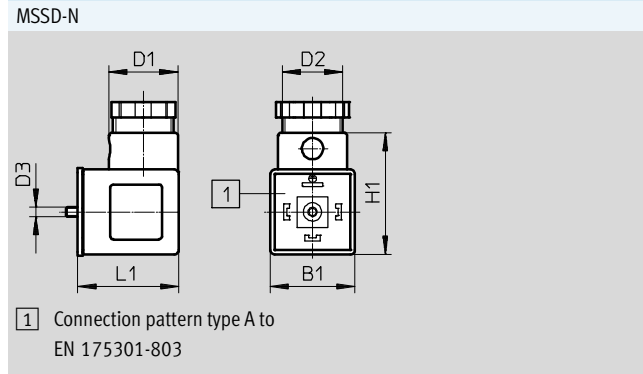
Materials	
Housing	PA reinforced
Housing colour	Black
Screws	Steel
Seals	VMQ
Note on materials	Contains paint-wetting impairment substances
	RoHS compliant

Operating and environmental conditions	
Ambient temperature [°C]	-20 ... +80
Degree of protection	IP65
Note on degree of protection	In mounted state

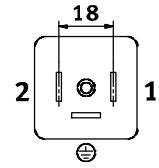
Adaptable plug connectors, socket type A, EN 175301-803

Technical data

Dimensions Download CAD data → www.festo.com



Pin allocation



	B1	D1	D2	D3	H1	L1
MSSD-N	27.9	22.8 ∅	M20x1.5	M3	40	33.2

Ordering data

Description	Weight	Part No.	Type
Socket, connection pattern type A to EN 175301-803, 3-pin, angled	30 g	550067	MSSD-N