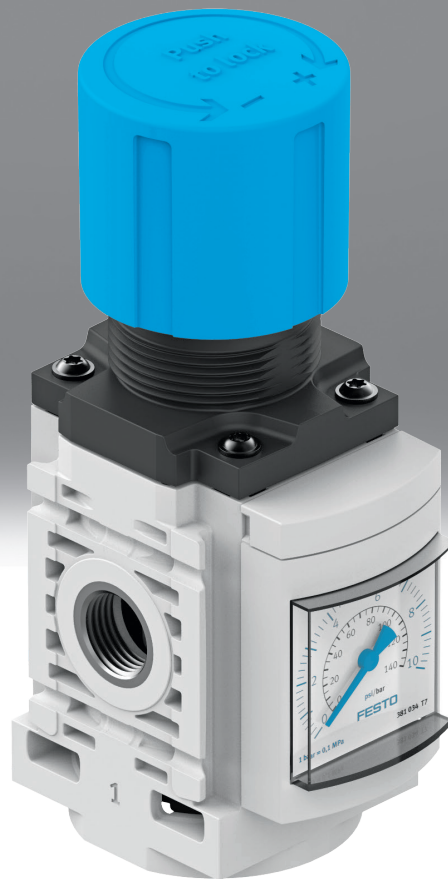


Pressure regulator MS-LR-B

FESTO



Characteristics

At a glance

- Very compact and extremely lightweight series for use close to the process directly in the machine.
- Stable control response
- The rotary knob locks into place to prevent unintentional rotation
- Integrated secondary exhaust and primary exhaust with return flow function

Product segmentation



Festo Core Range

Solves the majority of your automation tasks

With the Festo Core Range, we have selected the most important products and functions from our broad product catalogue, and added the quickest delivery. The Core Range offers you the best value with the expected high Festo quality.

- Quickest delivery, worldwide – wherever, whenever
- Expected high Festo quality
- Easy and fast to select

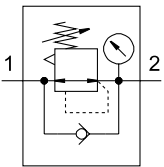
Diagrams

Further information → [ms-lr-b](#)



The diagrams shown in this document are also available online. These can be used to display precise values.

Function



For stepless, precise adjustment of the required operating pressure

The pressure regulator keeps the working pressure largely constant, irrespective of compressed air fluctuations in the network and due to air consumption

Pneumatic connection

Depending on the size, different connection types can be selected:

- Individual fittings that are fastened via a female thread
- Built-in connections into which the tubing can be directly inserted

Pressure regulation range

The following ranges can be set:

- With MS2-...: 0.5 ... 7 bar
- With MS4-... and MS6-...: 0.3 ... 7 bar

Pressure gauge alternatives

The pressure regulator can be ordered with or without a pressure gauge. The interface has a thread of G1/8.

Alternative pressure gauge scale

The scaling of the built-in pressure gauge can be selected. The unit options available are [MPa], [bar] / [psi].

Characteristics

Special material properties

[F1A] Recommended for production facilities for the manufacture of lithium-ion batteries

Metals with copper, zinc or nickel as the main component are excluded from use. Exceptions are nickel in steels, chemically nickel-plated surfaces, circuit boards, cables, electrical plug connectors and coils

Version

[B] Second generation

Basic component with sturdy and lightweight polymer housing. Fully compatible with the MS series.

Type code

001	Series	
MS	MS series	
002	Size	
2	Grid dimension 25 mm	
4	Grid dimension 40 mm	
6	Grid dimension 62 mm	
003	Function	
LR	Pressure regulator	
004	Pneumatic connection	
M5	Female thread M5	
QS6	Push-in connector 6 mm	
1/4	Female thread G1/4	
1/2	Female thread G1/2	
005	Pressure regulation range	
D6	0.3 ... 7 bar	

006	Pressure gauge alternatives	
A8	Adapter for EN pressure gauge 1/8, without pressure gauge	
AG	MS pressure gauge	
AR	With pressure gauge	
007	Alternative pressure gauge scale	
	MS pressure gauge	
BAR	bar	
MPA	MPa	
008	Special material properties	
	None	
F1A	Recommended for production facilities for the manufacture of lithium-ion batteries	
009	Version	
B	Second generation	

Datasheet

General technical data

Size	2	4	6
Pneumatic connection, port 1	M5, QS-6	G1/4	G1/2
Pneumatic connection, port 2	M5, QS-6	G1/4	G1/2
Standard nominal flow rate	170 ... 350 l/min	1,800 l/min	6,000 l/min
Pressure regulation range	0.05 ... 0.7 MPa	0.03 ... 0.7 MPa	
Pressure regulation range	0.5 ... 7 bar	0.3 ... 7 bar	
Pressure regulation range	7.25 ... 101.5 psi	4.35 ... 101.5 psi	
Max. pressure hysteresis	0.025 MPa	0.05 MPa	0.035 MPa
Max. pressure hysteresis	0.25 bar	0.5 bar	0.35 bar
Max. pressure hysteresis	3.625 psi	7.25 psi	5.075 psi
Design	Directly actuated diaphragm regulator	Pressure regulator with pressure gauge, Pressure regulator without pressure gauge, Directly actuated piston regulator	
Controller function	Output pressure constant, With secondary venting, With return flow function		
Type of mounting	Either-, Front panel mounting, In-line installation, With accessories		
Mounting position	optional		
Actuator lock	Rotary knob with detent		
Pressure gauge (ANALOG) or Pressure display (DIGITAL)	Prepared for G1/8, With pressure gauge		

Operating and environmental conditions

Size	2	4	6
Pneumatic connection, port 1	M5, QS-6	G1/4	G1/2
Operating pressure	0.1 ... 1 MPa		
Operating pressure	1 ... 10 bar		
Operating pressure	14.5 ... 145 psi	15 ... 145 psi	
Ambient temperature	-5 ... 50°C		
Media temperature	-5 ... 50°C		
Storage temperature	-5 ... 50°C		
Corrosion resistance class CRC ¹⁾	1 - Low corrosion stress		

¹⁾ Corrosion resistance class CRC 1 to Festo standard FN 940070. Low corrosion stress. Dry indoor use or transport and storage protection. Also applies to parts behind covers, in the non-visible interior area, or parts that are covered in the application (e.g. drive pins).

Materials

Size	2	4	6
Material housing	PA-reinforced		
Material rotary knob	POM		
Material valve stem	Wrought aluminium alloy, NBR	POM	
Material membrane	NBR	-	
Material spring	High-alloy steel	High-alloy steel, Galvanised steel	
Note on materials	RoHS-compliant		
LABS (PWIS) conformity	VDMA24364-B1/B2-L		
Cleanroom class	Class 4 according to ISO 14644-1	Class 7 according to ISO 14644-1	

Additional material specifications – products for battery production (F1A)

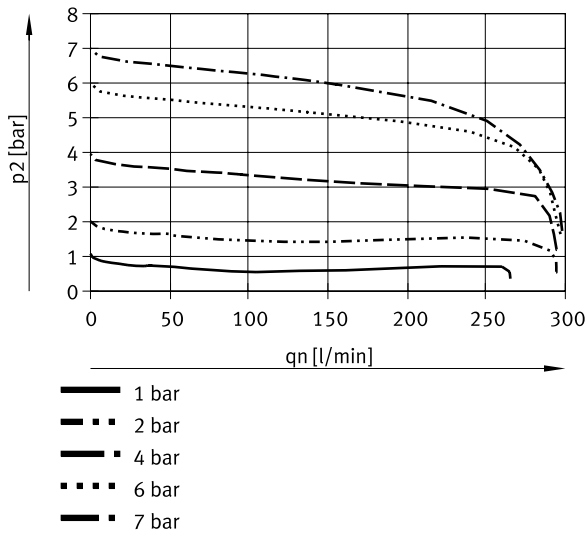
Suitability for the production of Li-ion batteries ¹⁾	Metals with more than 1% by mass of copper, zinc or nickel are excluded from use. Exceptions are nickel in steel, chemically nickel-plated surfaces, printed circuit boards, cables, electrical plug connectors and coils
Cleanroom class ²⁾	Class 4 according to ISO 14644-1, Class 7 according to ISO 14644-1

¹⁾ Only valid for MS2...-F1A-B

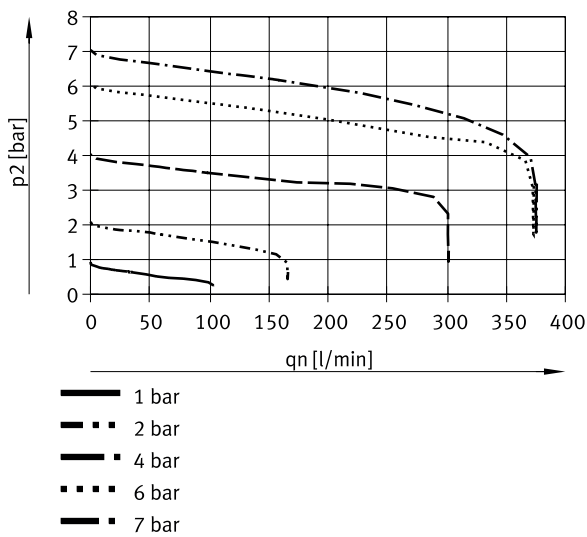
²⁾ Only valid for MS2...-F1A-B

Datasheet

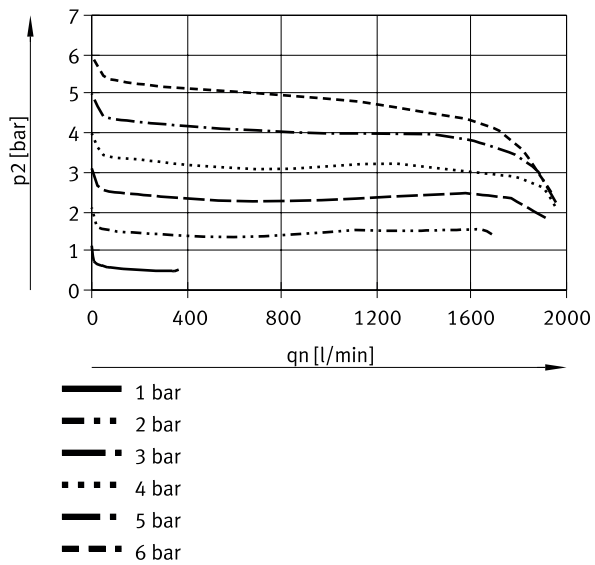
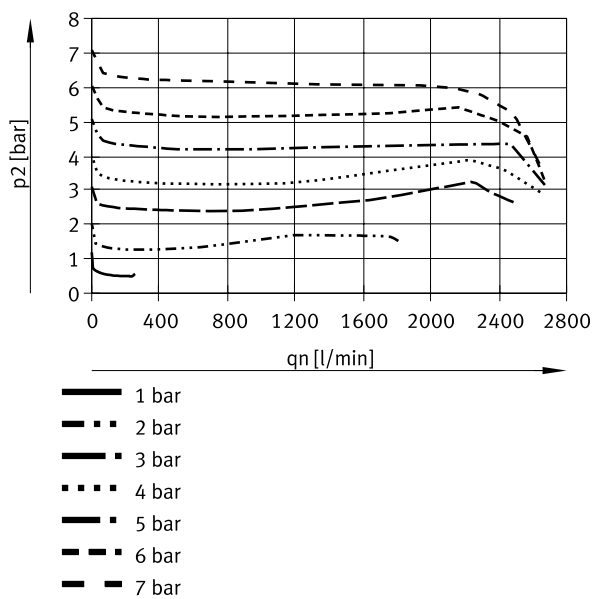
Standard flow rate q_n as a function of output pressure p_2 ($p_1 = 8 \text{ bar}$) – MS2-LR-QS6-B



Standard flow rate q_n as a function of output pressure p_2 ($p_1 = 10 \text{ bar}$) – MS2-LR-M5-B

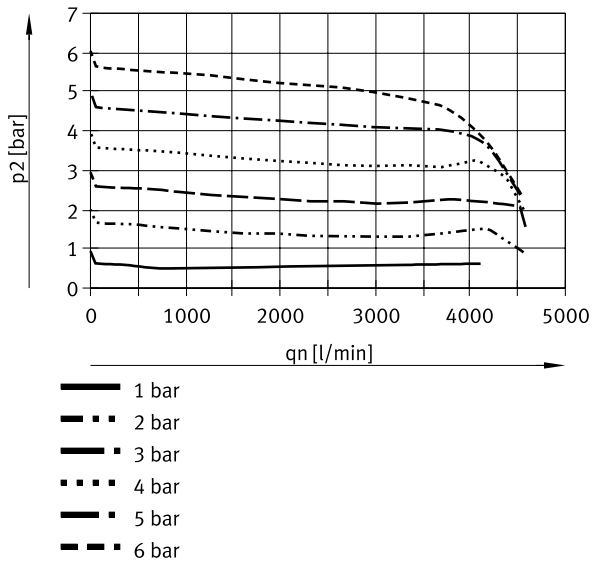


Datasheet

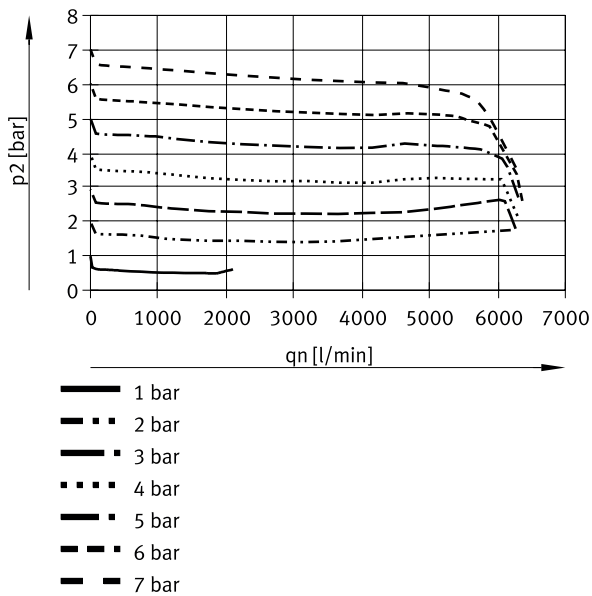
Standard flow rate q_n as a function of output pressure p_2 ($p_1 = 8 \text{ bar}$) – MS4-LR...-BStandard flow rate q_n as a function of output pressure p_2 ($p_1 = 10 \text{ bar}$) – MS4-LR...-B

Datasheet

Standard flow rate q_n as a function of output pressure p_2 ($p_1 = 8 \text{ bar}$) – MS6-LR...-B



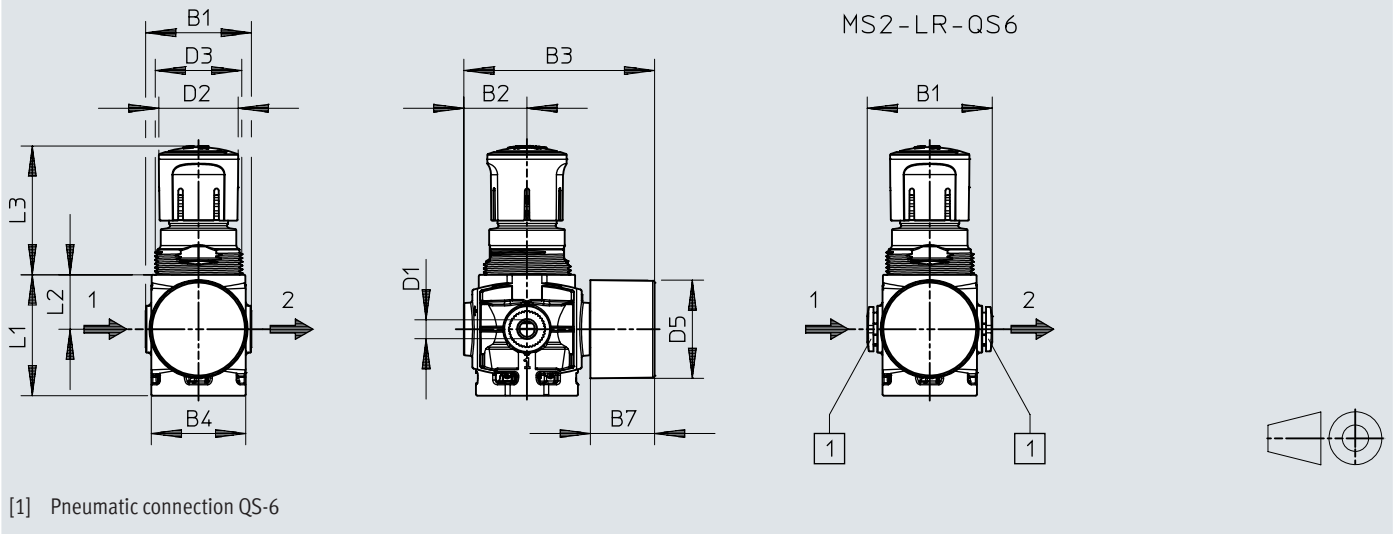
Standard flow rate q_n as a function of output pressure p_2 ($p_1 = 10 \text{ bar}$) – MS6-LR...-B



Dimensions

Dimensions – MS2-LR with pressure gauge

Download CAD data → www.festo.com

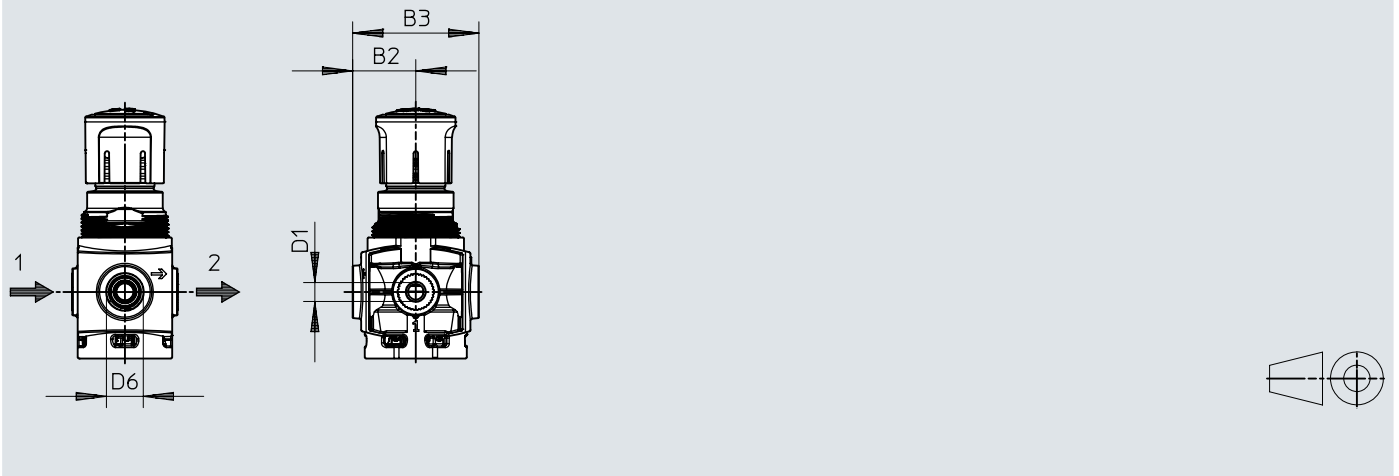


	B1	B2	B3	B4	B7	D1	D2 ∅	D3 ∅	D5 ∅	L1	L2	L3
MS2-LR-M5-...-AR	28	16,7	51	25	17	M5	21	M23x1	26	31	14,4	34,1
MS2-LR-QS6-...-AR	33,1					QS-6						

Dimensions

Dimensions – MS2-LR adapter for EN pressure gauge 1/8, without pressure gauge

Download CAD data → www.festo.com

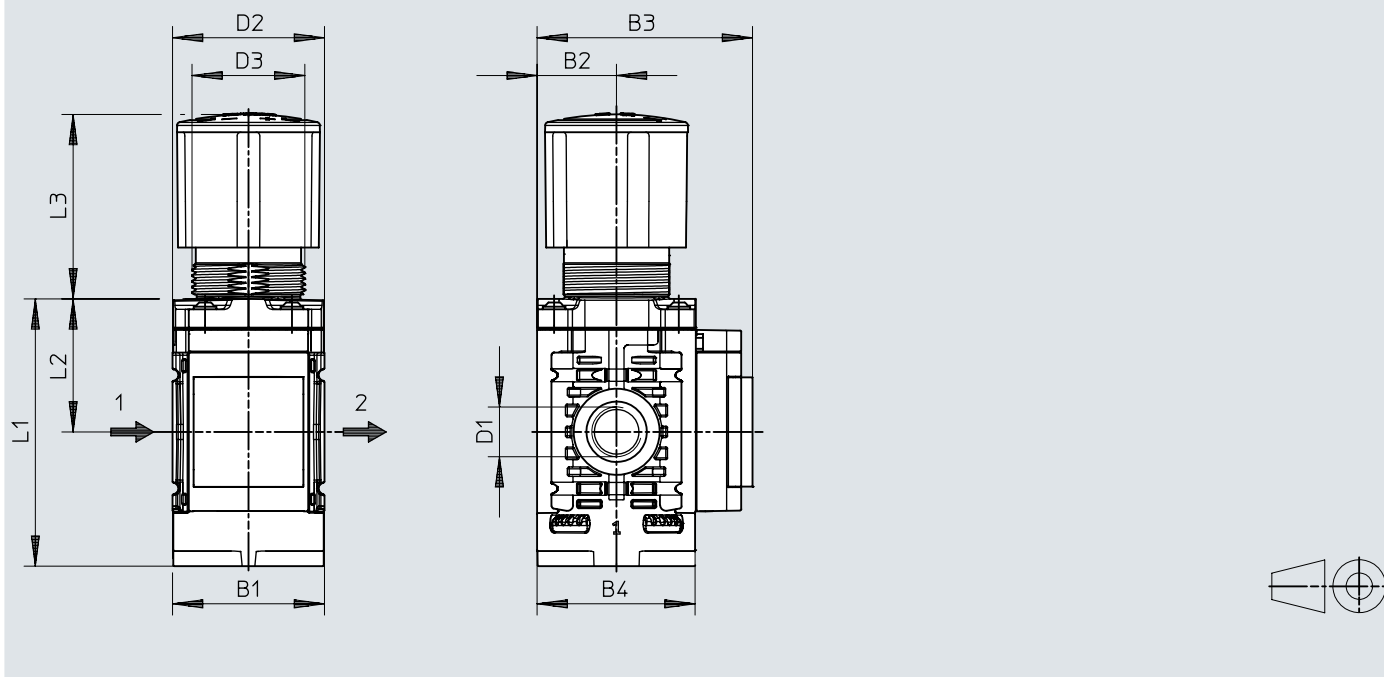


	B2	B3	D1	D6
MS2-LR-M5-...-A8	16,7	33,4	M5	G1/8
MS2-LR-QS6-...-A8			QS-6	

Dimensions

Dimensions – MS4-LR with pressure gauge

Download CAD data → www.festo.com

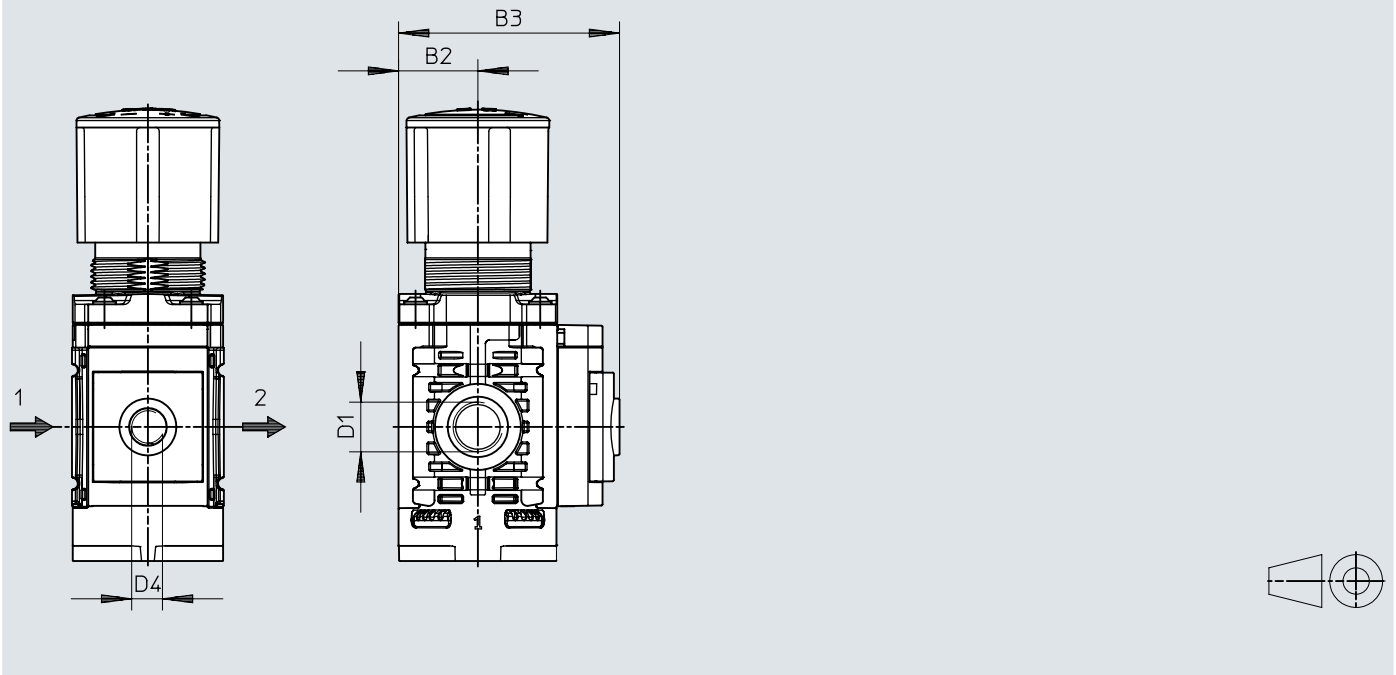


	B1	B2	B3	B4	D1	D2 Ø	D3	L1	L2	L3
MS4-LR-1/4-...-AG	40,2	21	57	41,8	G1/4	37,8	M30x1,5	70,7	35,2	48,8

Dimensions

Dimensions – MS4-LR adapter for EN pressure gauge 1/8, without pressure gauge

Download CAD data → www.festo.com

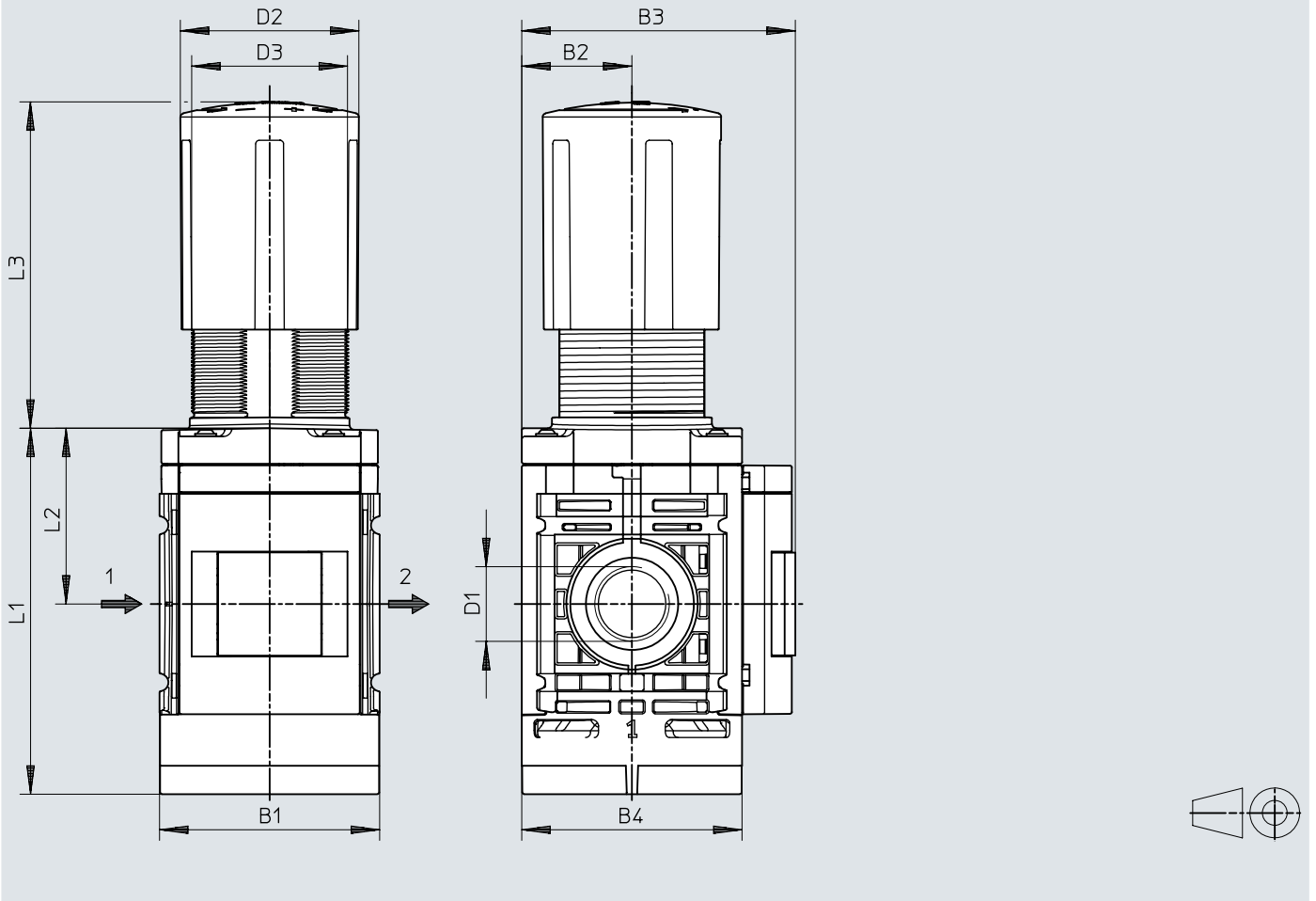


	B2	B3	D1	D4
MS4-LR-1/4-...-A8	21	58,5	G1/4	G1/8

Dimensions

Dimensions – MS6-LR with pressure gauge

Download CAD data → www.festo.com

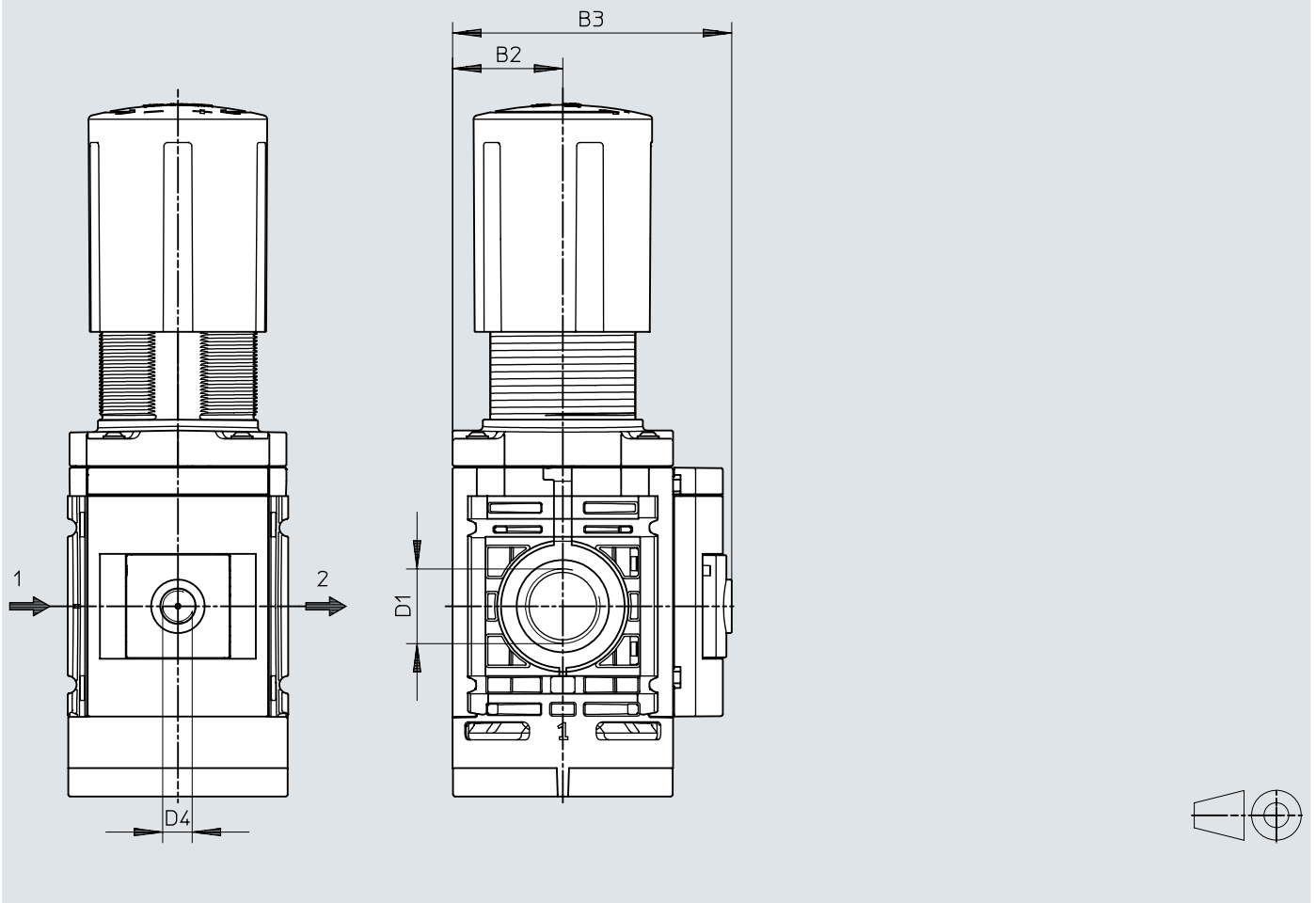


	B1	B2	B3	B4	D1	D2 Ø	D3	L1	L2	L3
MS6-LR-1/2-...-AG	62	31	77	62	G1/2	50,2	43,9	102,9	49,4	91,8

Dimensions

Dimensions – MS6-LR adapter for EN pressure gauge 1/8, without pressure gauge

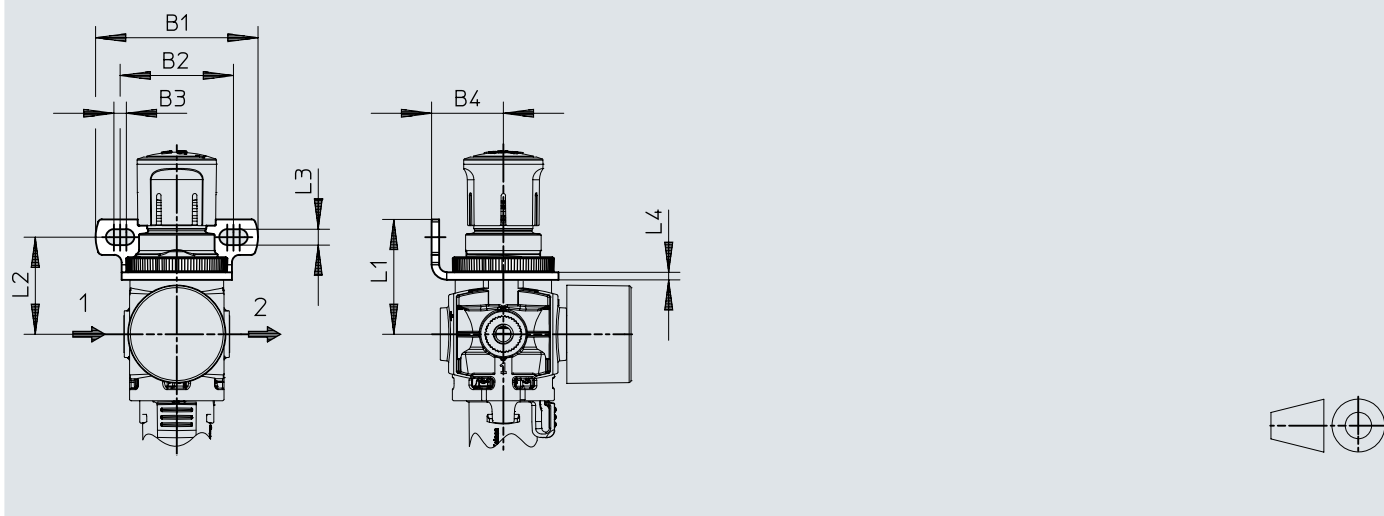
Download CAD data → www.festo.com



	B2	B3	D1	D4
MS6-LR-1/2-...-A8	31	78,5	G1/2	G1/8

Dimensions

Dimensions – Mounting bracket MS...-WR-B

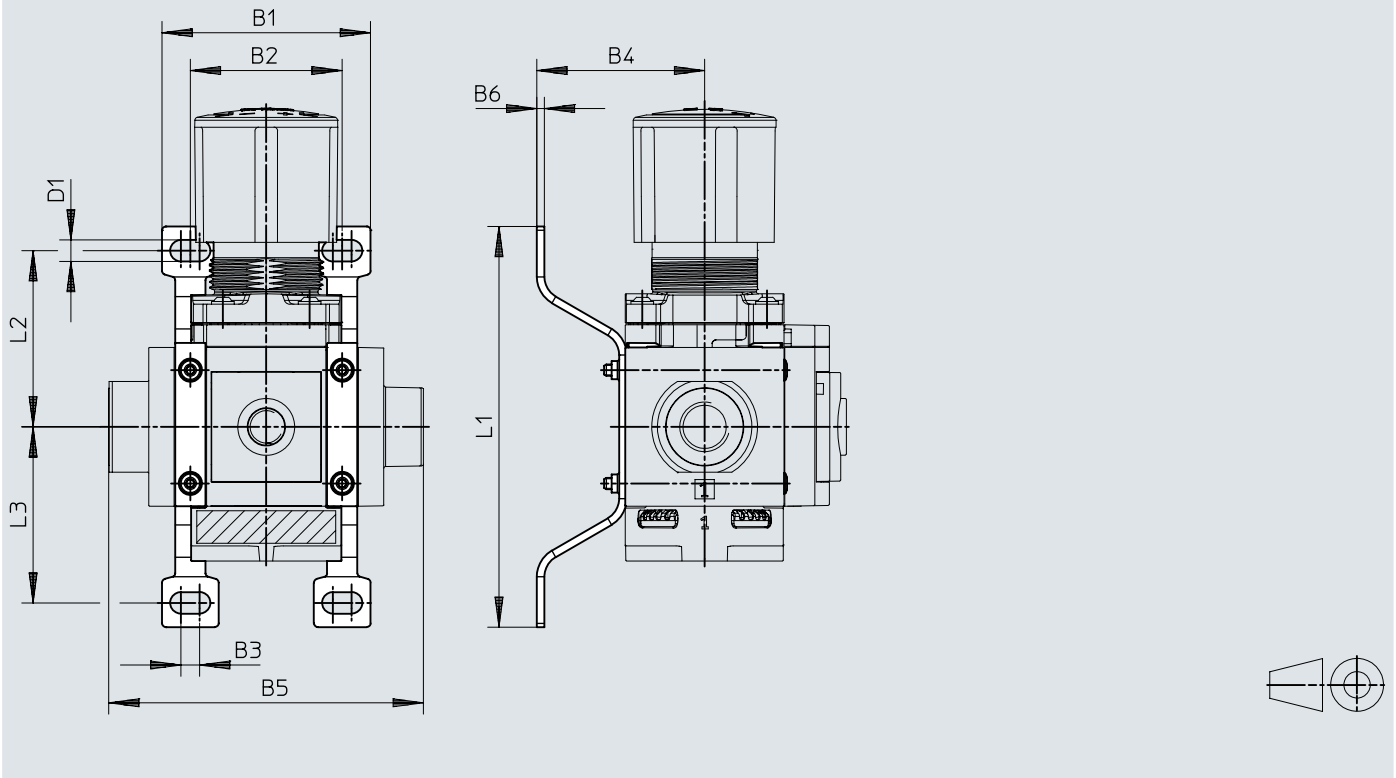
Download CAD data → www.festo.com

		B1 ±0,2	B2	B3	B4	L1	L2	L3 ±0,1	L4
MS2-LR-B	MS2-WR-B	43	30	3,3	19	30,4	25,7	4,2	2
MS4-LR-B	MS4-WR-B	68	44	8	41	52	44	7	2,5
MS6-LR-B	MS6-WR-B	70	42	8,2	40	67	57	7,1	3

Dimensions


Dimensions – Wall mounting kit MS...-WPE-B


Download CAD data → www.festo.com



		B1	B2	B3	B4	B5	B6	D1 Ø	L1	L2	L3
MS4-LR-B	MS4-WPE-B	55,2	40,2	5	44,4	83,3	2	5,7	106	46,6	46,6
MS6-LR-B	MS6-WPE-B	79	62	4,3	53,9	114,9	2	6,5	158	71	71

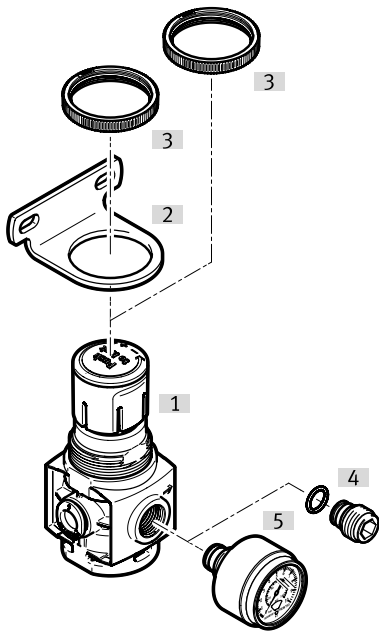
Ordering data

Ordering data							
	Size	Pneumatic connection, port 1	Pressure gauge (ANALOG) or Pressure display (DIGITAL)	Product weight	Cleanroom class	Part no.	Type
	2	M5	Prepared for G1/8	30.8 g	Class 4 according to ISO 14644-1	8086637	MS2-LR-M5-D6-A8-B
			With pressure gauge	38.6 g		8086628	MS2-LR-M5-D6-AR-BAR-B
		QS-6	Prepared for G1/8	28.3 g		8086636	MS2-LR-M5-D6-AR-MPA-B
			With pressure gauge	36.1 g		8086640	MS2-LR-QS6-D6-A8-B
			8086638	MS2-LR-QS6-D6-AR-BAR-B			
			8086639	MS2-LR-QS6-D6-AR-MPA-B			
	4	G1/4	Prepared for G1/8	163 g	Class 7 according to ISO 14644-1	8099360	MS4-LR-1/4-D6-A8-B
			With pressure gauge	165 g		★ 8099359	MS4-LR-1/4-D6-AG-MPA-B
	6	G1/2	Prepared for G1/8	479 g		★ 8099358	MS4-LR-1/4-D6-AG-BAR-B
						8099203	MS6-LR-1/2-D6-A8-B
			With pressure gauge	482 g		★ 8099205	MS6-LR-1/2-D6-AG-BAR-B
						★ 8099204	MS6-LR-1/2-D6-AG-MPA-B

Ordering data – Products for battery production							
	Size	Pneumatic connection, port 1	Pressure gauge (ANALOG) or Pressure display (DIGITAL)	Product weight	Cleanroom class	Part no.	Type
	2	M5	Prepared for G1/8	30.8 g	Class 4 according to ISO 14644-1	8167260	MS2-LR-M5-D6-A8-F1A-B
			With pressure gauge	38.6 g		8167259	MS2-LR-M5-D6-AR-MPA-F1A-B
		QS-6	Prepared for G1/8	28.3 g		8167258	MS2-LR-M5-D6-AR-BAR-F1A-B
			With pressure gauge	36.1 g		8167263	MS2-LR-QS6-D6-A8-F1A-B
			8167262	MS2-LR-QS6-D6-AR-MPA-F1A-B			
			8167261	MS2-LR-QS6-D6-AR-BAR-F1A-B			
	4	G1/4	Prepared for G1/8	163 g	Class 7 according to ISO 14644-1	8175243	MS4-LR-1/4-D6-A8-F1A-B
			With pressure gauge	165 g		8175241	MS4-LR-1/4-D6-AG-BAR-F1A-B
	6	G1/2	Prepared for G1/8	479 g		8175242	MS4-LR-1/4-D6-AG-MPA-F1A-B
						8175352	MS6-LR-1/2-D6-A8-F1A-B
			With pressure gauge	482 g		8175354	MS6-LR-1/2-D6-AG-BAR-F1A-B
						8175353	MS6-LR-1/2-D6-AG-MPA-F1A-B

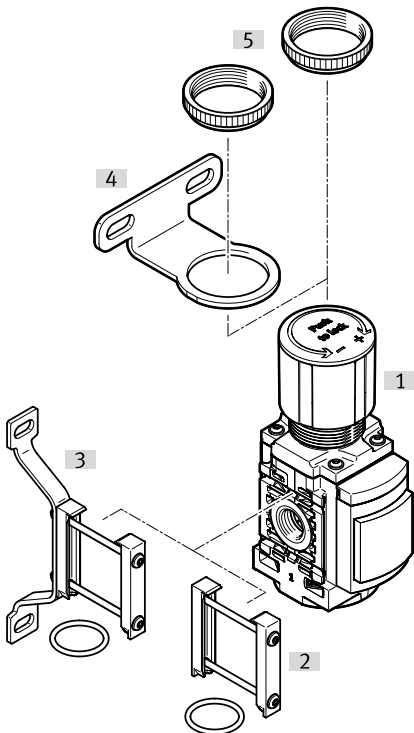
Peripherals

Peripherals overview – Size 2



Accessories		→ Page/Internet
Type/order code	Description	
[1] Pressure regulator MS2-LR-...-B		ms-lr-b
[2] Mounting bracket MS2-WR-B	For wall mounting, knurled nut included in the scope of delivery	20
[3] Nut MS2-WRS	For front panel mounting	20
[4] Plug screw MS2-G18S		20
[5] Pressure gauge PAGN		20


Peripherals overview – sizes 4 and 6




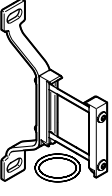
Peripherals


Accessories		→ Page/Internet
Type/order code	Description	
[1] Pressure regulator MS4/6-LR-...-B		ms-lr-b
[2] Module connector MS...-MV1	For connecting the modules	20
[3] Wall mounting kit MS...-WPE-B	For connecting the modules for wall mounting	20
[4] Mounting bracket MS...-WR-B	For wall mounting, knurled nut included in the scope of delivery	20
[5] Nut MS...-WRS	For front panel mounting	20

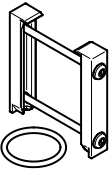
Accessories

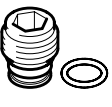
Pressure gauge PAGN						
	Nominal size of pressure gauge	Indicating range	Indicating range	Product weight	Part no.	Type
	26		0 ... 10 bar	8 g	8088985	PAGN-26-10-G18S
		0 ... 1 MPa			8088986	PAGN-26-1M-G18S

Mounting bracket MS...-WR-B					
	Size	Product weight	Part no.	Type	
		13.8 g	8087978	MS2-WR-B	
		14.6 g	8167322	MS2-WR-F1A-B	
	4	49 g	8149680	MS4-WR-B	
			8176693	MS4-WR-F1A-B	
	6	90 g	8176696	MS6-WR-F1A-B	
			8149681	MS6-WR-B	

Wall mounting kit MS...-WPE-B				
	Size	Product weight	Part no.	Type
	4	30 g	★ 8118600	MS4-WPE-B
	6	58 g	★ 8118599	MS6-WPE-B

Nut MS...-WRS				
	Size	Product weight	Part no.	Type
		0.7 g	8098037	MS2-WRS
	4	6.9 g	★ 532187	MS4-WRS
	6	20.9 g	★ 532188	MS6-WRS

Module connector MS...-MV1				
	Size	Product weight	Part no.	Type
	4	13 g	★ 8119201	MS4-MV1
		36 g	8176695	MS4-MV1-F1A
	6	33 g	★ 8119204	MS6-MV1
		54 g	8176697	MS6-MV1-F1A

Plug screw MS2-G18S				
	Short type code	Product weight	Part no.	Type
	MS2-G18S	4.6 g	8095766	MS2-G18S