






Pressure gauge










FESTO



Product range overview

Version	Type	Pneumatic connection	Nominal size	Display range		→ Page/ Internet			
				Outer scale	Inner scale				
Pressure gauge		MA-...-EN	R1/8	40	0 ... 10 bar 0 ... 25 bar	0 ... 145 psi 0 ... 360 psi	4		
			R1/4	40	0 ... 6 bar 0 ... 10 bar 0 ... 16 bar	0 ... 87 psi 0 ... 145 psi 0 ... 232 psi			
				G1/4	40	0 ... 6 bar 0 ... 10 bar 0 ... 16 bar 0 ... 25 bar		0 ... 87 psi 0 ... 145 psi 0 ... 232 psi 0 ... 360 psi	
		50				0 ... 2.5 bar 0 ... 10 bar 0 ... 16 bar		0 ... 36 psi 0 ... 145 psi 0 ... 232 psi	
			63		0 ... 1 bar	0 ... 14.5 psi			
		MA	M5		15	0 ... 10 bar 0 ... 145 psi		– –	7
				27	0 ... 1 MPa 0 ... 160 psi	– –			
			R1/8	23	0 ... 6 bar 0 ... 10 bar 0 ... 16 bar	0 ... 87 psi 0 ... 145 psi 0 ... 232 psi			
				27	0 ... 16 bar 0 ... 25 bar	0 ... 232 psi 0 ... 360 psi			
			G1/8	40	0 ... 10 bar 0 ... 16 bar 0 ... 1 MPa 0 ... 1.6 MPa	0 ... 145 psi 0 ... 232 psi – –			
					G1/4	50		0 ... 10 bar 0 ... 16 bar 0 ... 1 MPa 0 ... 1.6 MPa	
			63	0 ... 0.25 bar				0 ... 3.6 psi	
				MA-63-0.25		G1/4		63	
			MA-...-QS	QS-4, QS-6, QS-8		15	0 ... 10 bar	–	
			PAGN-26	G1/8	26	0 ... 10 bar 0 ... 1 MPa	0 ... 140 psi –	12	
			PAGN-63	G1/4	63	0 ... 16 bar	–	13	
			PAGN-...-P10	Cartridge 10 mm	26, 40	0 ... 10 bar 0 ... 16 bar 0 ... 145 psi 0 ... 232 psi 0 ... 1 MPa 0 ... 1.6 MPa	0 ... 145 psi 0 ... 232 psi 0 ... 10 bar 0 ... 16 bar – –	14	

Product range overview

Version	Type	Pneumatic connection	Nominal size	Display range		→ Page/ Internet	
				Outer scale	Inner scale		
Pressure gauge	with red/green range						
		MA-...-RG	R1/8	40	0 ... 2.5 bar	–	16
					0 ... 10 bar	–	
					0 ... 16 bar	–	
					0 ... 1 MPa	–	
					0 ... 1.6 MPa	–	
					0 ... 145 psi	–	
					0 ... 232 psi	–	
	R1/4	50	0 ... 2.5 bar	–			
			0 ... 10 bar	–			
			0 ... 16 bar	–			
			0 ... 0.25 MPa	–			
			0 ... 1 MPa	–			
			0 ... 1.6 MPa	–			
0 ... 36 psi			–				
PAGN-...-P10-RG	Cartridge 10 mm	26	0 ... 10 bar	0 ... 1 MPa	18		
			For high-pressure applications				
	PAGL-HP3	G1/4	63	0 ... 60 bar and 0 ... 6 MPa	0 ... 870 psi	pagl	
Precision pressure gauge		MAP	R1/8	40	0 ... 1 bar	0 ... 15 psi	19
					0 ... 4 bar	0 ... 58 psi	
					0 ... 6 bar	0 ... 87 psi	
					0 ... 16 bar	0 ... 232 psi	
		PAGN-...-1.6	R1/8	40	0 ... 10 bar	0 ... 145 psi	23
				0 ... 1 MPa	0 ... 10 bar		
Flanged pressure gauge		FMA-...-EN	G1/4	40	0 ... 10 bar	0 ... 145 psi	25
				50, 63	0 ... 16 bar	0 ... 232 psi	
				0 ... 2.5 bar	0 ... 36 psi		
				0 ... 10 bar	0 ... 145 psi		
		FMA-63-0.25	G1/4	63	0 ... 0.25 bar	0 ... 3.6 psi	27
Flanged precision pressure gauge		FMAP	G1/4	63	0 ... 1 bar	0 ... 15 psi	28
					0 ... 4 bar	0 ... 58 psi	
					0 ... 6 bar	0 ... 87 psi	
					0 ... 16 bar	0 ... 232 psi	
Pressure gauge kit	For pressure booster DPA						
		DPA-...-MA-SET	R1/8	27	0 ... 16 bar	0 ... 232 psi	dpa
			G1/8, G1/4	40	0 ... 25 bar	0 ... 360 psi	
					0 ... 16 bar	0 ... 232 psi	
				0 ... 25 bar	0 ... 360 psi		
Vacuum gauge		VAM-...-EN	R1/8	40	-1 ... 0 bar	-30 ... 0 inHg	vam
			R1/4	63	-1 ... 0 bar	-30 ... 0 inHg	
					-1 ... 9 bar	-30 ... 0 inHg and 0 ... 130 psi	
		VAM-...-RG	R1/8	40	-1 ... 0 bar	–	
			R1/4	63	-1 ... 0 bar	–	
		FVAM-...-EN	G1/8	40	-1 ... 0 bar	-30 ... 0 inHg	fvam
G1/4	63		-1 ... 0 bar	-30 ... 0 inHg			

Datasheet

Function



Temperature range
-20 ... +60°C



- Suitable for service unit components of series MS4/MS6/MS9/MS12

General technical data						
Nominal size	40			50		63
Pneumatic connection	R1/8	R1/4	G1/4	G1/4	G1/4	
Operating medium	Inert gases Neutral fluids					
Note on the operating/pilot medium	No oxygen No acetylene					
Design	Bourdon tube pressure gauge					
Conforms to standard	EN 837-1					
Type of mounting	In-line installation					
Connection position	Centred, rear					
Ambient temperature [°C]	-20 ... +60					
Temperature of medium [°C]	-20 ... +60 ¹⁾					
Measurement accuracy class	2.5					
Intermittent load factor	0.66					
Degree of protection	IP43					
For service unit components of series MS	MS4	MS4/MS6/MS9/MS12		-	-	
Weight [g]	60	70	70	70	80	

1) If the temperature of the medium used is below 0°C, ensure the operating medium is dry.

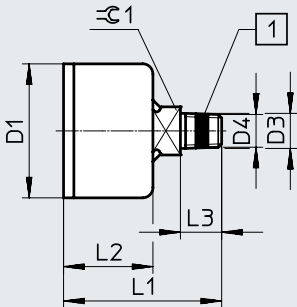
Materials						
Nominal size	40			50		63
Pneumatic connection	R1/8	R1/4	G1/4	G1/4	G1/4	
Housing	MA-40-10-1/8-EN only	PBT (colour: black)		-		
	not MA-40-10-1/8-EN	ABS (colour: black)				
Inspection window	PS					
Screwed trunnion/ materials in contact with the media	Brass					
Note on materials	RoHS-compliant					
LABS (PWIS) conformity	VDMA24364-B1/B2-L					

Datasheet

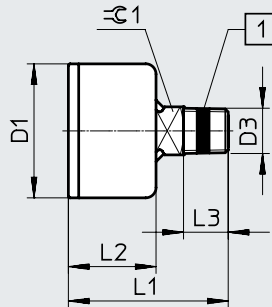
Dimensions

Download CAD data → www.festo.com

MA-40, R1/8



MA-40, R1/4



[1] PTFE sealing band for
MA-40-16-1/8-EN-DPA and
MA-40-25-1/8-EN

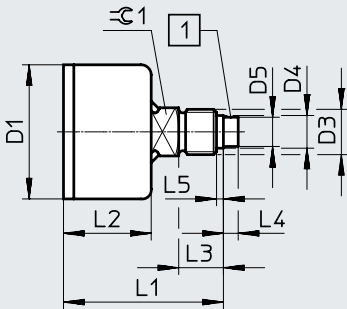
[1] PTFE sealing band

Type	D1 ∅ -0.2	D3	D4 ∅	L1 ±1	L2 ±0.5	L3	⊕ 1
MA-40-...-1/8-EN	39	R1/8	10.2	46	26	12 +0.3	14
MA-40-...-R1/4-EN		R1/4	-	46.5	25.5	13	

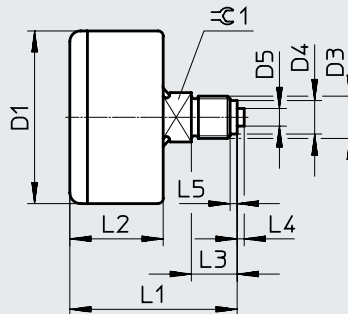
Dimensions

Download CAD data → www.festo.com

MA-40, G1/4



MA-50/63, G1/4



[1] With pre-fitted PTFE sealing ring

Type	D1 ∅	D3	D4 ∅	D5 ∅	L1	L2 ±0.5	L3 +0.3	L4	L5	⊕ 1
MA-40-...-G1/4-EN	39 -0.2	G1/4	9.5	8.5	46.5 ±1	25.5	13	4.3 ±0.1	2	14
MA-50-...-1/4-EN	49 ±0.5		9.5 -0.2	5	47.5 ±1	26.5		2		
MA-63-...-1/4-EN	61.5 ±0.5		9.5	5	47 ±0.5	26.5		2		


Datasheet

Ordering data								
Nominal size	Pneumatic connection	Operating pressure			Display range		Part no.	Type
		[MPa]	[bar]	[psi]	Outer scale	Inner scale		
Display unit [bar]/[psi]								
40	R1/8	0 ... 1	0 ... 10	0 ... 145	0 ... 10 bar	0 ... 145 psi	162835	MA-40-10-1/8-EN
		0 ... 1.6	0 ... 16	0 ... 232	0 ... 16 bar	0 ... 232 psi	529046	MA-40-16-1/8-EN-DPA
		0 ... 2.5	0 ... 25	0 ... 362.5	0 ... 25 bar	0 ... 362.5 psi	526167	MA-40-25-1/8-EN
	R1/4	0 ... 0.6	0 ... 6	0 ... 87	0 ... 6 bar	1 ... 87 psi	187078	MA-40-6-R1/4-EN
		0 ... 1	0 ... 10	0 ... 145	0 ... 10 bar	0 ... 145 psi	187079	MA-40-10-R1/4-EN
		0 ... 1.6	0 ... 16	0 ... 232	0 ... 16 bar	0 ... 232 psi	187080	MA-40-16-R1/4-EN
	G1/4	0 ... 0.6	0 ... 6	0 ... 87	0 ... 6 bar	1 ... 87 psi	183899	MA-40-6-G1/4-EN
		0 ... 1	0 ... 10	0 ... 145	0 ... 10 bar	0 ... 145 psi	183900	MA-40-10-G1/4-EN
		0 ... 1.6	0 ... 16	0 ... 232	0 ... 16 bar	0 ... 232 psi	183901	MA-40-16-G1/4-EN
		0 ... 2.5	0 ... 25	0 ... 362.5	0 ... 25 bar	0 ... 362.5 psi	183902	MA-40-25-G1/4-EN
50	G1/4	0 ... 0.25	0 ... 2.5	0 ... 36.25	0 ... 2.5 bar	0 ... 36.25 psi	162837	MA-50-2.5-1/4-EN
		0 ... 1	0 ... 10	0 ... 145	0 ... 10 bar	0 ... 145 psi	162838	MA-50-10-1/4-EN
		0 ... 1.6	0 ... 16	0 ... 232	0 ... 16 bar	0 ... 232 psi	162839	MA-50-16-1/4-EN
63	G1/4	0 ... 0.1	0 ... 1	0 ... 14.5	0 ... 1 bar	0 ... 14.5 psi	162844	MA-63-1-1/4-EN

Datasheet

Function



-  - Temperature range
-20 ... +60°C



- Suitable for service unit components of series D

General technical data						
Nominal size	15	23	27	40	50	
Pneumatic connection	M5	R1/8	M5	R1/8	G1/8	G1/4
Operating medium	Inert gases Neutral fluids					
Note on the operating/pilot medium	No oxygen No acetylene					
Design	Bourdon tube pressure gauge without measuring device		Bourdon tube pressure gauge			
Conforms to standard	-		-		EN 837-1	
Type of mounting	In-line installation					
Connection position	Centred, rear					
Ambient temperature [°C]	-20 ... +60		0 ... +60		-20 ... +60	
Temperature of medium [°C]	-20 ... +60 ¹⁾		0 ... +60		-20 ... +60 ¹⁾	
Measurement accuracy class	5	4	4 / 5 ²⁾	4	2.5	
Intermittent load factor	0.66	0.6	0.66			
Degree of protection	IP53	IP44	IP43			
For service unit components of series D	-	-	MICRO	-	MINI	MIDI/MAXI
Weight [g]	10	27	11	8	60	70

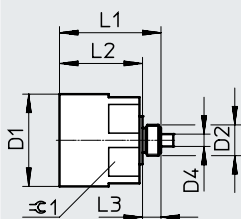
- 1) If the temperature of the medium used is below 0°C, ensure the operating medium is dry.
2) With display unit [MPa].

Materials						
Nominal size	15	23	27	40	50	
Pneumatic connection	M5	R1/8	M5	R1/8	G1/8	G1/4
Housing	Steel (colour: black)	Brass (colour: black)	PA (colour: black)	ABS (colour: black)		
Inspection window	PC		PS		PS	
Screwed trunnion/ materials in contact with the media	Brass		Brass	Reinforced PA	Brass	
Note on materials	RoHS-compliant					
LABS (PWIS) conformity	VDMA24364-B1/B2-L				VDMA24364-B2-L	

Dimensions

Download CAD data → www.festo.com

MA-15, M5



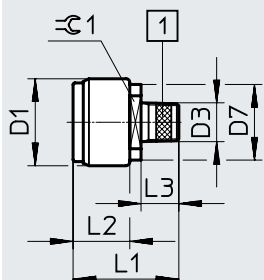
Type	D1 ø	D2	D4 ø	L1	L2	L3	⊕ 1
MA-15...-M5	15	M5x0.8	2	16.5	13.5	3	14

Datasheet

Dimensions

Download CAD data → www.festo.com

MA-23, R1/8



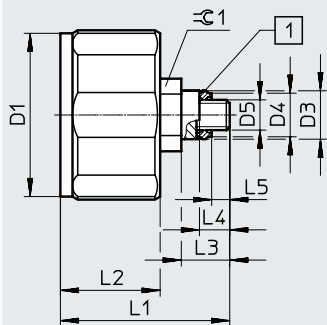
[1] PTFE band

Type	D1 ∅	D3	D7 ∅	L1	L2	L3	$\sqrt{Ra} 1$
MA-23-...-R1/8	23 -0.4	R1/8	20 -0.4	±0.35	±0.25	10	14

Dimensions

Download CAD data → www.festo.com

MA-27, M5



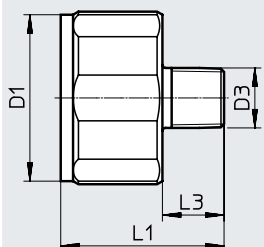
[1] With pre-fitted polyamide sealing ring

Type	D1 ∅	D3 ∅	D4 ∅	D5	L1	L2 ±0.5	L3	L4	L5	$\sqrt{Ra} 1$
MA-27-...-M5	27	8	7.4	M5	28	16.5	8	5	3	10

Dimensions

Download CAD data → www.festo.com

MA-27, R1/8



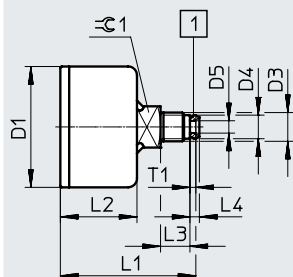
Type	D1 ∅	D3	L1	L3 ±0.15
MA-27-...-R1/8	27	R1/8	26.5	10

Datasheet

Download CAD data → www.festo.com

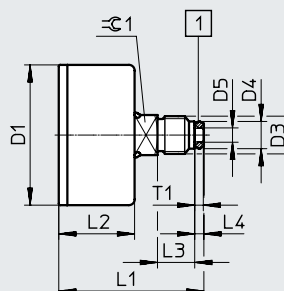
Dimensions

MA-40, G1/8



[1] With pre-fitted aluminium sealing ring

MA-50, G1/4



[1] With pre-fitted aluminium sealing ring

Type	D1 ∅	D3	D4 ∅	D5 ∅	L1	L2	L3	L4	T1	⊕1
					±1	±0.5	+0.3			
MA-40-...1/8	39-0.2	G1/8	8	4.2	46	26	10	3.2	2	14
MA-40-...1/4	49	G1/4	9.5	5	50.5	26.5	13		3	

Ordering data

Nominal size	Pneumatic connection	Operating pressure			Display range		Part no.	Type
		[MPa]	[bar]	[psi]	Outer scale	Inner scale		
Display unit [bar]/[psi]								
23	R1/8	0 ... 0.6	0 ... 6	0 ... 87	0 ... 6 bar	1 ... 87 psi	183896	MA-23-6-R1/8
		0 ... 1	0 ... 10	0 ... 145	0 ... 10 bar	0 ... 145 psi	183897	MA-23-10-R1/8
		0 ... 1.6	0 ... 16	0 ... 232	0 ... 16 bar	0 ... 232 psi	183898	MA-23-16-R1/8
27	R1/8	0 ... 1.6	0 ... 16	0 ... 232	0 ... 16 bar	0 ... 232 psi	541733	MA-27-16-R1/8
		0 ... 2.5	0 ... 25	0 ... 362.5	0 ... 25 bar	0 ... 362.5 psi	541734	MA-27-25-R1/8
40	G1/8	0 ... 1	0 ... 10	0 ... 145	0 ... 10 bar	0 ... 145 psi	359874	MA-40-10-1/8
		0 ... 1.6	0 ... 16	0 ... 232	0 ... 16 bar	0 ... 232 psi	345395	MA-40-16-1/8
50	G1/4	0 ... 1	0 ... 10	0 ... 145	0 ... 10 bar	0 ... 145 psi	359873	MA-50-10-1/4
		0 ... 1.6	0 ... 16	0 ... 232	0 ... 16 bar	0 ... 232 psi	356759	MA-50-16-1/4


Ordering data

Nominal size	Pneumatic connection	Operating pressure			Display range		Part no.	Type
		[MPa]	[bar]	[psi]	Outer scale	Inner scale		
Display unit [bar]								
15	–	0 ... 1	0 ... 10	0 ... 145	0 ... 10 bar	–	132340	MA-15-10-M5
Display unit [MPa]								
27	M5	0 ... 1	0 ... 10	0 ... 145	0 ... 1 MPa	–	526324	MA-27-1.0-M5-MPA
40	G1/8	0 ... 1	0 ... 10	0 ... 145	0 ... 1 MPa	–	192732	MA-40-1-G1/8-MPA
		0 ... 1.6	0 ... 16	0 ... 232	0 ... 1.6 MPa	–	192733	MA-40-1.6-G1/8-MPA
50	G1/4	0 ... 1	0 ... 10	0 ... 145	0 ... 1 MPa	–	192734	MA-50-1-G1/4-MPA
		0 ... 1.6	0 ... 16	0 ... 232	0 ... 1.6 MPa	–	192735	MA-50-1.6-G1/4-MPA
Display unit [psi]								
15	M5	0 ... 1	0 ... 10	0 ... 145	0 ... 145 psi	–	132341	MA-15-145-M5-PSI
27	M5	–	–	0 ... 160	0 ... 160 psi	–	527405	MA-27-160-M5-PSI

Datasheet

Function



-  - Temperature range
-20 ... +60°C



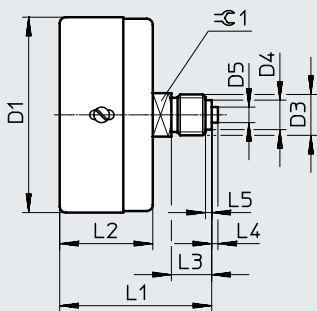
General technical data	
Nominal size	63
Pneumatic connection	G1/4
Operating medium	Gaseous media Liquid media
Note on the operating/pilot medium	No oxygen No acetylene
Design	Capsule pressure gauge
Conforms to standard	EN 837-3
Type of mounting	In-line installation
Connection position	Centred, rear
Ambient temperature [°C]	-20 ... +60
Temperature of medium [°C]	-20 ... +80 ¹⁾
Measurement accuracy class	1.6
Continuous load factor	0.75
Intermittent load factor	0.9
Degree of protection	IP43
Weight [g]	180

1) If the temperature of the medium used is below 0°C, ensure the operating medium is dry.

Materials	
Housing	Steel
Inspection window	PMMA
Crimp ring/screws	Steel
Screwed trunnion	Brass
LABS (PWIS) conformity	VDMA24364-B1/B2-L

Dimensions

Download CAD data → www.festo.com



Type	D1 ∅ ±1	D3	D4 ∅	D5 ∅	L1 ±1	L2	L3 +0.3	L4	L5	⌀ 1
MA-63	63	G1/4	9.5	5	49	30	13	2	2	14

Ordering data								
Nominal size	Pneumatic connection	Operating pressure			Display range		Part no.	Type
		[MPa]	[bar]	[psi]	Outer scale	Inner scale		
Display unit [bar]/[psi]								
63	G1/4	-	0 ... 0.25	-	0 ... 0.25 bar	0 ... 3.6 psi	7169	MA-63-0.25

Datasheet

Function



- - Temperature range
-20 ... +60°C



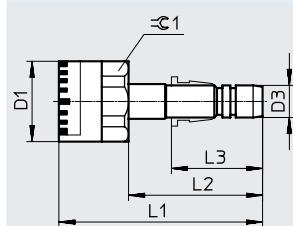
General technical data

Nominal size	15		
Pneumatic connection	QS-4	QS-6	QS-8
Operating medium	Inert gases Neutral fluids		
Note on the operating/pilot medium	No oxygen No acetylene		
Design	Bourdon tube pressure gauge without measuring device		
Type of mounting	In-line installation		
Connection position	Centred, rear		
Ambient temperature [°C]	-20 ... +60		
Temperature of medium [°C]	-20 ... +60		
Measurement accuracy class	5		
Intermittent load factor	0.66		
Degree of protection	IP53		
Weight [g]	10		

Materials

Housing	Steel (colour: black)
Inspection window	PC
Screwed trunnion/ materials in contact with the media	Brass
Note on materials	RoHS-compliant
LABS (PWIS) conformity	VDMA24364-B2-L

Dimensions

Download CAD data → www.festo.com

Type	D1 ø	D3	L1	L2	L3	⌀ 1
MA-15-10-QS-4	15	QS-4	36	23	15	14
MA-15-10-QS-6	15	QS-6	38	25	17	14
MA-15-10-QS-8	15	QS-8	34	21	18.5	14

Ordering data

Nominal size	Pneumatic connection	Operating pressure			Display range		Part no.	Type
		[MPa]	[bar]	[psi]	Outer scale	Inner scale		
Display unit [bar]								
15	QS-4	0 ... 1	0 ... 10	0 ... 145	0 ... 10 bar	–	153383	MA-15-10-QS-4
	QS-6	0 ... 1	0 ... 10	0 ... 145	0 ... 10 bar	–	153384	MA-15-10-QS-6
	QS-8	0 ... 1	0 ... 10	0 ... 145	0 ... 10 bar	–	153385	MA-15-10-QS-8

Datasheet

Function



Temperature range
-5 ... +50°C



- Suitable for service unit components of series MS2

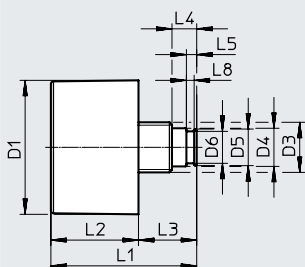
General technical data	
Nominal size	26
Pneumatic connection	G1/8 with sealing ring
Operating medium	Inert gases Neutral fluids
Note on the operating/pilot medium	No oxygen No acetylene
Design	Bourdon tube pressure gauge
Type of mounting	In-line installation
Connection position	Centred, rear
Ambient temperature [°C]	-5 ... +50
Temperature of medium [°C]	-5 ... +50 ¹⁾
Storage temperature [°C]	-5 ... +50
Measurement accuracy class	4
Intermittent load factor	0.66
Degree of protection	IP43
Weight [g]	8

1) If the temperature of the medium used is below 0°C, ensure the operating medium is dry.

Materials	
Housing	ABS (colour: black)
Inspection window	PS
Screwed trunnion	ABS
Materials in contact with the media	ABS, brass
Note on materials	RoHS-compliant
LABS (PWIS) conformity	VDMA24364-B1/B2-L

Dimensions

Download CAD data → www.festo.com



Type	D1 ∅	D3	D4 ∅	D5 ∅	D6 ∅	L1	L2	L3	L4	L5	L8 ∅
PAGN-26...-G18S	26	G1/8	7.4 ±0.05	7.1	6.2 ±0.05	28.3	17	11.3	4.8	2	1.5 ±0.05

Ordering data								
Nominal size	Pneumatic connection	Operating pressure			Display range		Part no.	Type
		[MPa]	[bar]	[psi]	Outer scale	Inner scale		
Display unit [bar]/[psi]								
26	G1/8 with sealing ring	0 ... 1	0 ... 10	0 ... 145	0 ... 10 bar	0 ... 145 psi	8088985	PAGN-26-10-G18S
Display unit [MPa]								
26	G1/8 with sealing ring	0 ... 1	0 ... 10	0 ... 145	0 ... 1 MPa	-	8088986	PAGN-26-1M-G18S

Datasheet

Function



Temperature range
-40 ... +200°C

- Suitable for filter regulator PCRP



General technical data	
Nominal size	63
Pneumatic connection	G1/4
Operating medium	Inert gases Neutral fluids
Note on the operating/ pilot medium	No oxygen No acetylene
Design	Bourdon tube pressure gauge
Conforms to standard	EN 837-1
Type of mounting	In-line installation
Connection position	Centred, rear
Ambient temperature [°C]	-40 ... +60
Temperature of medium [°C]	-40 ... +200 ¹⁾
Storage temperature [°C]	-40 ... +70
Measurement accuracy class	1.6
Intermittent load factor	0.66
Degree of protection	IP65
Weight [g]	160

1) If the temperature of the medium used is below 0°C, ensure the operating medium is dry.

Materials	
Housing	High-alloy stainless steel (colour: silver)
Inspection window	PC
Screwed trunnion/ materials in contact with the media	High-alloy stainless steel
Note on materials	RoHS-compliant
LABS (PWIS) conformity	VDMA24364-B1/B2-L

Dimensions Download CAD data → www.festo.com



Type	B1	D1 ∅	D2	D3 ∅	L1	L2	L3	$\varnothing 1$
PAGN-63	69.5	63	G1/4	62	57	33	11.5	14

Ordering data								
Nominal size	Pneumatic connection	Operating pressure			Display range		Part no.	Type
		[MPa]	[bar]	[psi]	Outer scale	Inner scale		
Display unit [bar]								
63	G1/4	0 ... 1.6	0 ... 16	0 ... 232	0 ... 16 bar	–	8081401	PAGN-63-16-G14-R1-1.6-0.5-V2

Datasheet

Function



Temperature range
-20 ... +60°C



General technical data		
Nominal size	26	40
Pneumatic connection	Cartridge 10 mm	Cartridge 10 mm
Operating medium	Inert gases Neutral fluids	
Note on the operating/pilot medium	No oxygen No acetylene	
Design	Bourdon tube pressure gauge	
Conforms to standard	-	EN 837-1
Type of mounting	In-line installation	
Connection position	Centred, rear	
Ambient temperature [°C]	-20 ... +60	
Temperature of medium [°C]	-20 ... +60 ¹⁾	
Measurement accuracy class	4 / 5 ²⁾	2.5
Intermittent load factor	0.66	
Degree of protection	IP43 NEMA 4 (only with outer scale in bar)	
Weight [g]	15	50

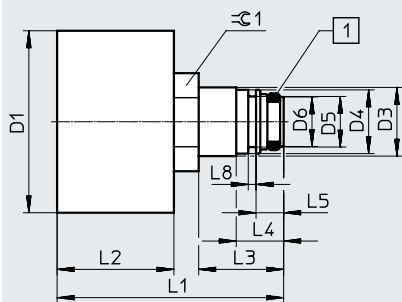
- 1) If the temperature of the medium used is below 0°C, ensure the operating medium is dry.
- 2) With display unit [MPa].

Materials		
Nominal size	26	40
Housing	PA (colour: black)	ABS (colour: black)
Inspection window	PS	
Screwed trunnion/ materials in contact with the media	Brass	
Note on materials	RoHS-compliant	
LABS (PWIS) conformity	VDMA24364-B1/B2-L	

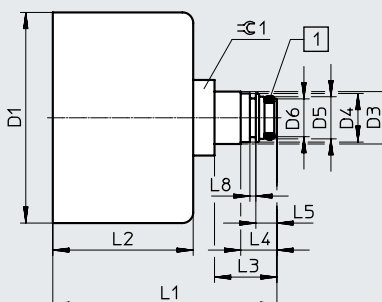
Dimensions

Download CAD data → www.festo.com

PAGN-26-...-P10



PAGN-40-...-P10



[1] Sealing ring

Type	D1 ø	D3 ø ±0.1	D4 ø ±0.05	D5 ø ±0.05	D6 ø ±0.1	L1	L2 ±0.5	L3	L4 ±0.1	L5	L8 ±0.1	⊕ 1
PAGN-26-...-P10	25.7	9.7	9	7.8	7	32	16.5	12	6.7	3.9	1.1	12
PAGN-40-...-P10	39					41.5	26	11.6				14

Datasheet


Ordering data								
Nominal size	Pneumatic connection	Operating pressure			Display range		Part no.	Type
		[MPa]	[bar]	[psi]	Outer scale	Inner scale		
Display unit [bar]/[psi]								
26	Cartridge 10 mm	0 ... 1	0 ... 10	0 ... 145	0 ... 10 bar	0 ... 145 psi	543488	PAGN-26-10-P10
		0 ... 1.6	0 ... 16	0 ... 232	0 ... 16 bar	0 ... 232 psi	543487	PAGN-26-16-P10
40	Cartridge 10 mm	0 ... 1	0 ... 10	0 ... 145	0 ... 10 bar	0 ... 145 psi	548009	PAGN-40-10-P10
		0 ... 1.6	0 ... 16	0 ... 232	0 ... 16 bar	0 ... 232 psi	548010	PAGN-40-16-P10
Display unit [psi]/[bar]								
26	Cartridge 10 mm	0 ... 1	0 ... 10	0 ... 145	0 ... 145 psi	0 ... 10 bar	563732	PAGN-26-145P-P10
		0 ... 1.6	0 ... 16	0 ... 232	0 ... 232 psi	0 ... 16 bar	563731	PAGN-26-232P-P10
40	Cartridge 10 mm	0 ... 1	0 ... 10	0 ... 145	0 ... 145 psi	0 ... 10 bar	563734	PAGN-40-145P-P10
		0 ... 1.6	0 ... 16	0 ... 232	0 ... 232 psi	0 ... 16 bar	563733	PAGN-40-232P-P10
Display unit [MPa]								
26	Cartridge 10 mm	0 ... 1	0 ... 10	0 ... 145	0 ... 1 MPa	–	563736	PAGN-26-1M-P10
		0 ... 1.6	0 ... 16	0 ... 232	0 ... 1.6 MPa	–	563735	PAGN-26-1.6M-P10
40	Cartridge 10 mm	0 ... 1	0 ... 10	0 ... 145	0 ... 1 MPa	–	563738	PAGN-40-1M-P10
		0 ... 1.6	0 ... 16	0 ... 232	0 ... 1.6 MPa	–	563737	PAGN-40-1.6M-P10

Pressure gauge MA-...-RG, with red/green range

Datasheet

Function



-  - Temperature range
-20 ... +60°C



- Suitable for service unit components of series MS4/MS6/MS9/MS12

The adjustable red/green range provides additional safety when monitoring compressed air.

The coloured red and green segments show when the pressure is in the required pressure range.

The different colours make it possible to see at a glance whether the pressure is in the permitted tolerance range.

General technical data		
Nominal size	40	50
Pneumatic connection	R1/8	R1/4
Operating medium	Inert gases Neutral fluids	
Note on the operating/pilot medium	No oxygen No acetylene	
Design	Bourdon tube pressure gauge	
Conforms to standard	EN 837-1	
Type of mounting	In-line installation	
Connection position	Centred, rear	
Ambient temperature [°C]	-20 ... +60	
Temperature of medium [°C]	-20 ... +60 ¹⁾	
Measurement accuracy class	2.5	
Intermittent load factor	0.66	
Degree of protection	IP43	
For service unit components of series MS	MS4	MS4/MS6/MS9/MS12
Weight [g]	60	75

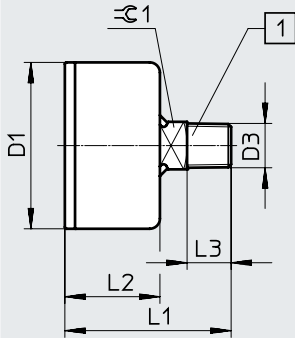
1) If the temperature of the medium used is below 0°C, ensure the operating medium is dry.

Materials	
Housing	ABS (colour: black)
Inspection window	PMMA
Screwed trunnion/ materials in contact with the media	Brass
Note on materials	RoHS-compliant
LABS (PWIS) conformity	VDMA24364-B1/B2-L

Datasheet

Dimensions

Download CAD data → www.festo.com



[1] Coated with thread sealant

Type	D1 ∅ ±0.5	D3	L1 ±1	L2 ±0.5	L3	≻ 1
MA-40-...-RG	39	R1/8	46	28	10	14
MA-50-...-RG	49	R1/4	49	28	13	14

Ordering data

Nominal size	Pneumatic connection	Operating pressure			Display range		Part no.	Type
		[MPa]	[bar]	[psi]	Outer scale	Inner scale		
Display unit [bar]								
40	R1/8	0 ... 0.25	0 ... 2.5	0 ... 36.25	0 ... 2.5 bar	–	546963	MA-40-2.5-R1/8-E-RG
		0 ... 1	0 ... 10	0 ... 145	0 ... 10 bar	–	525725	MA-40-10-R1/8-E-RG
		0 ... 1.6	0 ... 16	0 ... 232	0 ... 16 bar	–	525726	MA-40-16-R1/8-E-RG
50	R1/4	0 ... 0.25	0 ... 2.5	0 ... 36.25	0 ... 2.5 bar	–	525727	MA-50-2.5-R1/4-E-RG
		0 ... 1	0 ... 10	0 ... 145	0 ... 10 bar	–	525728	MA-50-10-R1/4-E-RG
		0 ... 1.6	0 ... 16	0 ... 232	0 ... 16 bar	–	525729	MA-50-16-R1/4-E-RG
Display unit [MPa]								
40	R1/8	0 ... 1	0 ... 10	0 ... 145	0 ... 1 MPa	–	526778	MA-40-1.0-R1/8-MPA-E-RG
		0 ... 1.6	0 ... 16	0 ... 232	0 ... 1.6 MPa	–	526779	MA-40-1.6-R1/8-MPA-E-RG
50	R1/4	0 ... 0.25	0 ... 2.5	0 ... 36.25	0 ... 0.25 MPa	–	526780	MA-50-0.25-R1/4-MPA-E-RG
		0 ... 1	0 ... 10	0 ... 145	0 ... 1 MPa	–	526781	MA-50-1.0-R1/4-MPA-E-RG
		0 ... 1.6	0 ... 16	0 ... 232	0 ... 1.6 MPa	–	526782	MA-50-1.6-R1/4-MPA-E-RG
Display unit [psi]								
40	R1/8	0 ... 1	0 ... 10	0 ... 145	0 ... 145 psi	–	526786	MA-40-145-R1/8-PSI-E-RG
		0 ... 1.6	0 ... 16	0 ... 232	0 ... 232 psi	–	526787	MA-40-232-R1/8-PSI-E-RG
50	R1/4	–	–	0 ... 36	0 ... 36 psi	–	526788	MA-50-36-R1/4-PSI-E-RG
		0 ... 1	0 ... 10	0 ... 145	0 ... 145 psi	–	526789	MA-50-145-R1/4-PSI-E-RG
		0 ... 1.6	0 ... 16	0 ... 232	0 ... 232 psi	–	526790	MA-50-232-R1/4-PSI-E-RG

Datasheet

Function



- - Temperature range
-20 ... +60°C



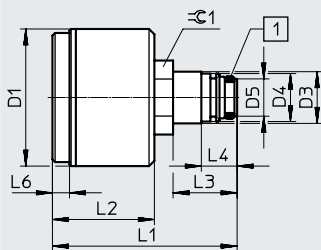
General technical data	
Nominal size	26
Pneumatic connection	Cartridge 10 mm
Operating medium	Inert gases Neutral fluids
Note on the operating/ pilot medium	No oxygen No acetylene
Design	Bourdon tube pressure gauge without measuring device
Type of mounting	In-line installation
Connection position	Centred, rear
Ambient temperature [°C]	-20 ... +60
Temperature of medium [°C]	-20 ... +60 ¹⁾
Measurement accuracy class	4
Intermittent load factor	0.66
Degree of protection	IP43
Weight [g]	15

1) If the temperature of the medium used is below 0°C, ensure the operating medium is dry.

Materials	
Housing	PA (colour: black)
Inspection window	PS
Screwed trunnion/ Materials in contact with the media	Brass
Note on materials	RoHS-compliant
LABS (PWIS) conformity	VDMA24364-B1/B2-L

Dimensions

Download CAD data → www.festo.com



[1] Sealing ring

Type	D1 ∅ +0.1/-0.2	D3 ∅ ±0.1	D4 ∅ ±0.05	D5 ∅ ±0.1	L1 ±1	L2 ±0.5	L3	L4	L6 ±0.1	⊕ 1
PAGN-26-...-P10-RG	25.7	9.7	9	7	34.6	19.1	12	6.7	3.2	12

Ordering data		Operating pressure			Display range		Part no.	Type
Nominal size	Pneumatic connection	[MPa]	[bar]	[psi]	Outer scale	Inner scale		
Display unit [bar]/[MPa]								
26	Cartridge 10 mm	0 ... 1	0 ... 10	0 ... 145	0 ... 10 bar	0 ... 1 MPa	8090378	PAGN-26-10-P10-RG

Datasheet

Function



- - Temperature range
-20 ... +60°C



General technical data

Nominal size	40
Pneumatic connection	R1/8
Operating medium	Inert gases Neutral fluids
Note on the operating/pilot medium	No oxygen No acetylene
Design	Bourdon tube pressure gauge
Conforms to standard	EN 837-1
Type of mounting	In-line installation
Connection position	Centred, rear
Ambient temperature [°C]	-20 ... +60
Temperature of medium [°C]	-20 ... +60 ¹⁾
Measurement accuracy class	1.6
Intermittent load factor	0.66
Degree of protection	IP43
Weight [g]	60

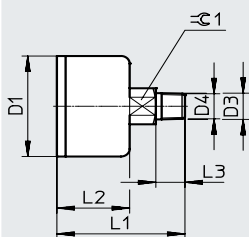
1) If the temperature of the medium used is below 0°C, ensure the operating medium is dry.

Materials

Housing	PBT (colour: black)
Inspection window	PS
Screwed trunnion/ materials in contact with the media	Brass
Note on materials	RoHS-compliant
LABS (PWIS) conformity	VDMA24364-B1/B2-L

Dimensions

Download CAD data → www.festo.com



Type	D1 ∅ +0.1/-0.2	D3	D4 ∅	L1	L2 +0.5	L3	±0.1
MAP-40-...-EN	39	R1/8	10.2	44	25	10	14

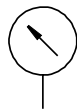
Datasheet


Ordering data									
Nominal size	Pneumatic connection	Operating pressure			Display range		Certification	Part no.	Type
		[MPa]	[bar]	[psi]	Outer scale	Inner scale			
Display unit [bar]/[psi]									
40	R1/8	0 ... 0.1	0 ... 1	0 ... 14.5	0 ... 1 bar	0 ... 14.5 psi	–	161126	MAP-40-1-1/8-EN
							CPA ¹⁾	8178621	PAGN-40-0.1M-R18-1.6-CPA
		0 ... 0.4	0 ... 4	0 ... 58	0 ... 4 bar	1 ... 58 psi	–	162842	MAP-40-4-1/8-EN
							–	161127	MAP-40-6-1/8-EN
							–	161128	MAP-40-16-1/8-EN
0 ... 0.6	0 ... 6	0 ... 87	0 ... 6 bar	1 ... 87 psi	–				
0 ... 1.6	0 ... 16	0 ... 232	0 ... 16 bar	0 ... 232 psi	–				

1) Certification for measuring devices in China

Datasheet

Function



-  - Temperature range
-20 ... +60°C



Technical data	
Nominal size	40
Pneumatic connection	R1/8
Operating medium	Inert gases Neutral fluids
Note on the operating/ pilot medium	No oxygen No acetylene
Design	Bourdon tube pressure gauge
Conforms to standard	EN 837-1
Type of mounting	In-line installation
Connection position	Centred, rear
Ambient temperature [°C]	-20 ... +60
Temperature of medium [°C]	-20 ... +60 ¹⁾
Storage temperature [°C]	-40 ... +70
Measurement accuracy class	1.6
Continuous load factor	0.75
Intermittent load factor	0.66
Degree of protection	IP43
Weight [g]	60

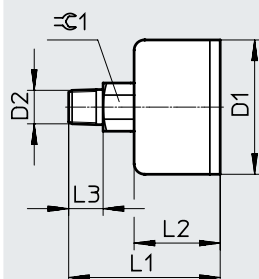
1) If the temperature of the medium used is below 0°C, ensure the operating medium is dry.

Materials	
Housing	ABS (colour: black)
Inspection window	PS
Screwed trunnion/ materials in contact with the media	Brass
Note on materials	RoHS-compliant
LABS (PWIS) conformity	VDMA24364-B1/B2-L

Dimensions

Download CAD data → www.festo.com

PAGN-40-...-R18



Type	D1 ∅	D2	L1	L2	L3	∅ 1
PAGN-40-...-R18	39	R1/8	44	25	10	14

Datasheet


Ordering data								
Nominal size	Pneumatic connection	Operating pressure			Display range	Certification	Part no.	Type
		[MPa]	[bar]	[psi]	Outer scale			
Display unit [MPa]/[bar]								
40	R1/8	0 ... 0.4	0 ... 4	0 ... 58	0 ... 0.4 MPa	CPA ¹⁾	8178623	PAGN-40-0.4M-R18-1.6-CPA
		0 ... 0.6	0 ... 6	0 ... 87	0 ... 0.6 MPa		8178624	PAGN-40-0.6M-R18-1.6-CPA
		0 ... 1.6	0 ... 16	0 ... 232	0 ... 1.6 MPa		8178625	PAGN-40-1.6M-R18-1.6-CPA

1) Certification for measuring devices in China

Datasheet

Function



-  - Temperature range
-20 ... +60°C

- Suitable for precision pressure regulator LRP



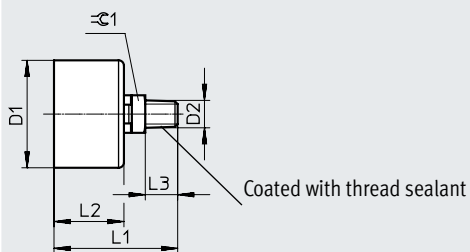
General technical data	
Nominal size	40
Pneumatic connection	R1/8
Operating medium	Inert gases Neutral fluids
Note on the operating/pilot medium	No oxygen No acetylene
Design	Bourdon tube pressure gauge
Conforms to standard	EN 837-1
Type of mounting	In-line installation
Connection position	Centred, rear
Ambient temperature [°C]	-20 ... +60
Temperature of medium [°C]	-20 ... +60 ¹⁾
Storage temperature [°C]	-40 ... +70
Measurement accuracy class	1.6
Intermittent load factor	0.66
Degree of protection	IP43
Weight [g]	60

1) If the temperature of the medium used is below 0°C, ensure the operating medium is dry.

Materials	
Housing	PBT (colour: black)
Inspection window	PS
Screwed trunnion/ materials in contact with the media	Brass
Note on materials	RoHS-compliant
LABS (PWIS) conformity	VDMA24364-B1/B2-L

Dimensions

Download CAD data → www.festo.com



Type	D1 ø	D2	L1	L2	L3	±0.1
PAGN-40-...-1.6	39 +0.1/-0.2	R1/8	44	25 +0.5	10	14

Datasheet


Ordering data									
Nominal size	Pneumatic connection	Operating pressure			Display range		Certification	Part no.	Type
		[MPa]	[bar]	[psi]	Outer scale	Inner scale			
Display unit [bar]/[psi]									
40	R1/8	0 ... 1	0 ... 10	0 ... 145	0 ... 10 bar	0 ... 145 psi	–	2849914	PAGN-40-10-R18-1.6
Display unit [MPa]/[bar]									
40	R1/8	0 ... 1	0 ... 10	0 ... 145	0 ... 1 MPa	0 ... 10 bar	–	2849916	PAGN-40-1M-R18-1.6
						–	CPA ¹⁾	8178622	PAGN-40-1M-R18-1.6-CPA

1) Certification for measuring devices in China

Datasheet

Function



-  - Temperature range
-20 ... +60°C



General technical data

Nominal size	40	50	63
Pneumatic connection	G1/4	G1/4	G1/4
Operating medium	Inert gases Neutral fluids		
Note on the operating/pilot medium	No oxygen No acetylene		
Design	Bourdon tube pressure gauge		
Conforms to standard	EN 837-1		
Type of mounting	Front panel mounting		
Connection position	Centred, rear		
Ambient temperature [°C]	-20 ... +60		
Temperature of medium [°C]	-20 ... +60 ¹⁾		
Measurement accuracy class	2.5		
Intermittent load factor	0.66		
Degree of protection	IP43		
Weight [g]	80	100	120

1) If the temperature of the medium used is below 0°C, ensure the operating medium is dry.

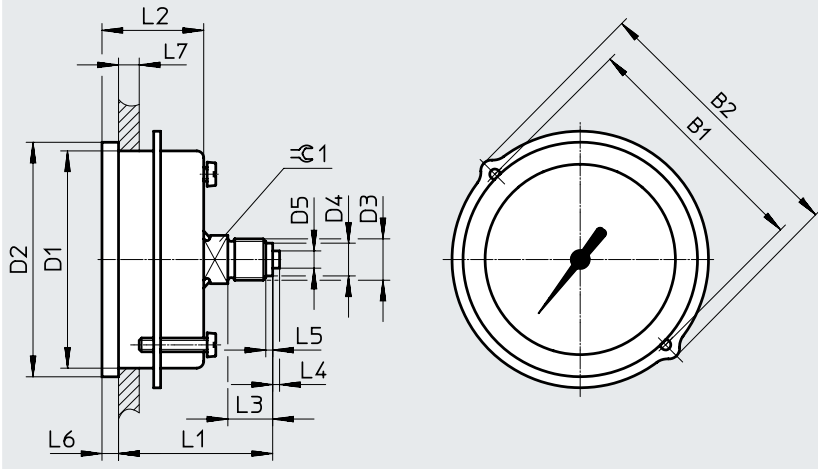
Materials

Housing	ABS (colour: black)
Inspection window	SAN
Mounting ring	Steel
Screwed trunnion/ materials in contact with the media	Brass
Note on materials	RoHS-compliant
LABS (PWIS) conformity	VDMA24364-B1/B2-L

Datasheet

Dimensions

Download CAD data → www.festo.com



Type	B1	B2	D1 ∅	D2 ∅	D3	D4 ∅	D5 ∅	L1	L2	L3	L4	L5	L6	L7 max.	⊕ 1
FMA-40-...-EN	48	56	40-0.2	45-0.3	G1/4	9.5	5	43	26.5 ±0.5	13	2	2	4.5	15	14
FMA-50-...-EN	57 +0.3	66	49.5 +0.2	54-0.4				43.3	26.8 +0.3				4.5		
FMA-63-...-EN	70 +0.3	79	63 +0.2	68-0.2				42.5	29.5 +0.3				4.8		


Ordering data

Nominal size	Pneumatic connection	Operating pressure			Display range		Part no.	Type
		[MPa]	[bar]	[psi]	Outer scale	Inner scale		
Display unit [bar]/[psi]								
40	G1/4	0 ... 1	0 ... 10	0 ... 145	0 ... 10 bar	0 ... 145 psi	159596	FMA-40-10-1/4-EN
		0 ... 1.6	0 ... 16	0 ... 232	0 ... 16 bar	0 ... 232 psi	159597	FMA-40-16-1/4-EN
50	G1/4	0 ... 0.25	0 ... 2.5	0 ... 36.25	0 ... 2.5 bar	0 ... 36.25 psi	159598	FMA-50-2.5-1/4-EN
		0 ... 1	0 ... 10	0 ... 145	0 ... 10 bar	0 ... 145 psi	159599	FMA-50-10-1/4-EN
63	G1/4	0 ... 1.6	0 ... 16	0 ... 232	0 ... 16 bar	0 ... 232 psi	159600	FMA-50-16-1/4-EN
		0 ... 0.25	0 ... 2.5	0 ... 36.25	0 ... 2.5 bar	0 ... 36.25 psi	159601	FMA-63-2.5-1/4-EN
		0 ... 1	0 ... 10	0 ... 145	0 ... 10 bar	0 ... 145 psi	159602	FMA-63-10-1/4-EN
		0 ... 1.6	0 ... 16	0 ... 232	0 ... 16 bar	0 ... 232 psi	159603	FMA-63-16-1/4-EN

Datasheet

Function



-  - Temperature range
-20 ... +60°C



General technical data

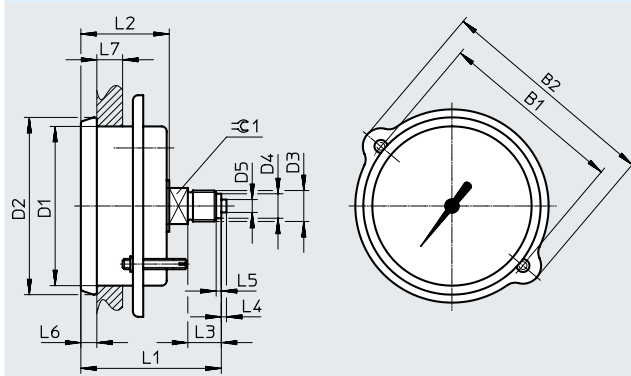
Nominal size	63
Pneumatic connection	G1/4
Operating medium	Gaseous media Liquid media
Note on the operating/pilot medium	No oxygen No acetylene
Design	Capsule pressure gauge
Conforms to standard	EN 837-3
Type of mounting	Front panel mounting
Connection position	Centred, rear
Ambient temperature [°C]	-20 ... +60
Temperature of medium [°C]	-20 ... +80
Measurement accuracy class	1.6
Continuous load factor	0.75
Intermittent load factor	0.9
Degree of protection	IP43
Weight [g]	120

Materials

Housing	Steel
Inspection window	PMMA
Mounting ring/screws	Steel
Screwed trunnion	Brass
LABS (PWIS) conformity	VDMA24364-B1/B2-L

Dimensions

Download CAD data → www.festo.com



Type	B1	B2	D1 ∅	D2 ∅	D3	D4 ∅	D5 ∅	L1	L2	L3	L4	L5	L6	L7 max.	≈G 1
FMA-63-0.25-C	72	86	61.8 ±0.5	68.8 ±0.5	G1/4	9.5	5	54.5 ±1	34.3 ±0.5	13 +0.3	2	2	6.2 ±0.5	10	14

Ordering data

Nominal size	Pneumatic connection	Operating pressure			Display range		Part no.	Type
		[MPa]	[bar]	[psi]	Outer scale	Inner scale		
63	G1/4	-	0 ... 0.25	-	0 ... 0.25 bar	0 ... 3.6 psi	225783	FMA-63-0.25-C

Flanged precision pressure gauge FMAP

Datasheet

Function



- - Temperature range
-20 ... +60°C



General technical data

Nominal size	63
Pneumatic connection	G1/4
Operating medium	Inert gases Neutral fluids
Note on the operating/pilot medium	No oxygen No acetylene
Design	Bourdon tube pressure gauge
Conforms to standard	EN 837-1
Type of mounting	Front panel mounting
Connection position	Centred, rear
Ambient temperature [°C]	-20 ... +60
Temperature of medium [°C]	-20 ... +60 ¹⁾
Measurement accuracy class	1
Intermittent load factor	0.66
Degree of protection	IP43
Weight [g]	120

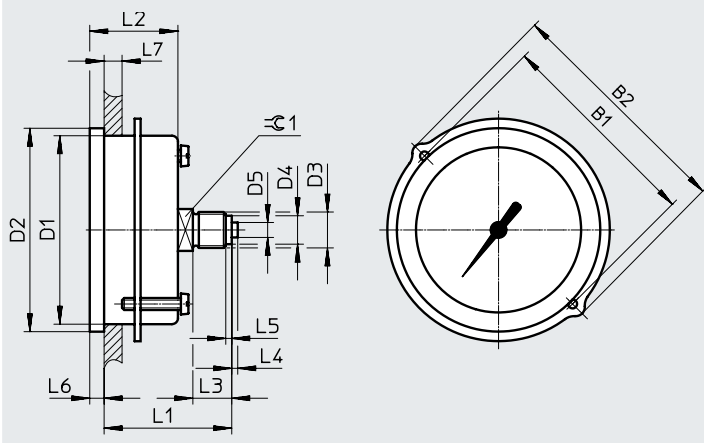
1) If the temperature of the medium used is below 0°C, ensure the operating medium is dry.

Materials

Housing	ABS (colour: black)
Inspection window	SAN
Mounting ring	Steel
Screwed trunnion/ materials in contact with the media	Brass
Note on materials	RoHS-compliant
LABS (PWIS) conformity	VDMA24364-B1/B2-L

Dimensions

Download CAD data → www.festo.com



Type	B1	B2	D1 ∅	D2 ∅	D3	D4 ∅	D5 ∅	L1	L2	L3	L4	L5	L6	L7 max.	≈ 1
FMAP-63-...-EN	70 +0.3	79	63 +0.2	68 -0.2	G1/4	9.5	5	42.5 ±1	29.5 +0.3	13 +0.3	2	2	4.8	15	14

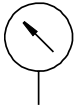
Datasheet


Ordering data								
Nominal size	Pneumatic connection	Operating pressure			Display range		Part no.	Type
		[MPa]	[bar]	[psi]	Outer scale	Inner scale		
Display unit [bar]/[psi]								
63	G1/4	0 ... 0.1	0 ... 1	0 ... 14.5	0 ... 1 bar	0 ... 14.5 psi	161129	FMAP-63-1-1/4-EN
		0 ... 0.4	0 ... 4	0 ... 58	0 ... 4 bar	1 ... 58 psi	162843	FMAP-63-4-1/4-EN
		0 ... 0.6	0 ... 6	0 ... 87	0 ... 6 bar	1 ... 87 psi	161130	FMAP-63-6-1/4-EN
		0 ... 1.6	0 ... 16	0 ... 232	0 ... 16 bar	0 ... 232 psi	161131	FMAP-63-16-1/4-EN

Flanged pressure gauge PAGN-P

Datasheet

Function



-  - Temperature range
-20 ... +60°C



Technical data			
Nominal size	40	50	63
Pneumatic connection	G1/4	G1/4	G1/4
Operating medium	Inert gases Neutral fluids		
Note on the operating/ pilot medium	No oxygen No acetylene		
Design	Bourdon tube pressure gauge		
Conforms to standard	EN 837-1		
Type of mounting	Front panel mounting		
Connection position	Centred, rear		
Ambient temperature [°C]	-20 ... +60		
Temperature of medium [°C]	-20 ... +60 ¹⁾		
Storage temperature [°C]	-40 ... +70		
Measurement accuracy class	-		1 (PAGN-P-63-...-G14-1)
	2.5		2.5 (PAGN-P-63-...-G14)
Continuous load factor	0.75		
Intermittent load factor	0.66		
Degree of protection	IP43		
Weight [g]	80	100	120

1) If the temperature of the medium used is below 0°C, ensure the operating medium is dry.

Materials	
Housing	ABS (colour: black)
Inspection window	SAN
Mounting ring/screws	Steel
Screwed trunnion/ materials in contact with the media	Brass
Note on materials	RoHS-compliant
LABS (PWIS) conformity	VDMA24364-B1/B2-L

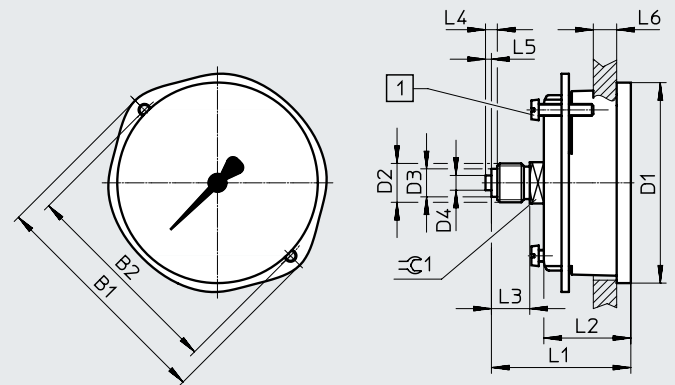
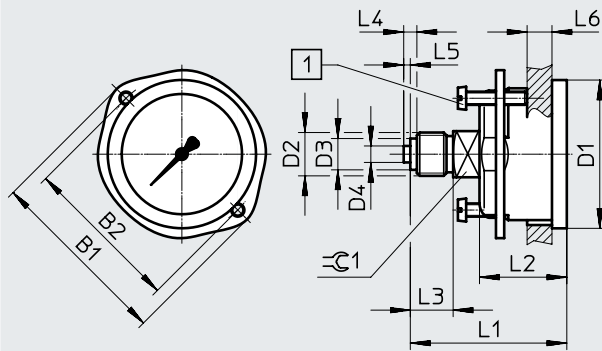
Datasheet

Dimensions

PAGN-P-40

PAGN-P-50/63

Download CAD data → www.festo.com



[1] Screw M4x20

Type	B1	B2	D1 ∅	D2	D3 ∅	D4 ∅	L1	L2	L3	L4	L5	L6		⊕ 1
												min.	max.	
PAGN-P-40	56	48	45	G1/4	9.5	5	47.5	26.5	13	4	2	0	15	14
PAGN-P-50	66	57	54				47.8	26.8						
PAGN-P-63	79	70	68				47.3	29.5						

Ordering data

Nominal size	Pneumatic connection	Operating pressure			Measurement accuracy class	Display range Outer scale	Certification	Part no.	Type
		[MPa]	[bar]	[psi]					
Display unit [MPa]/[bar]									
40	G1/4	0 ... 1	0 ... 10	0 ... 145	2.5	0 ... 1 MPa	CPA ¹⁾	8178626	PAGN-P-40-1M-G14-CPA
		0 ... 1.6	0 ... 16	0 ... 232	2.5	0 ... 1.6 MPa		8178627	PAGN-P-40-1.6M-G14-CPA
50	G1/4	0 ... 1	0 ... 10	0 ... 145	2.5	0 ... 1 MPa		8178628	PAGN-P-50-1M-G14-CPA
		0 ... 1.6	0 ... 16	0 ... 232	2.5	0 ... 1.6 MPa		8178629	PAGN-P-50-1.6M-G14-CPA
63	G1/4	0 ... 0.1	0 ... 1	0 ... 14.5	1	0 ... 0.1 MPa		8178632	PAGN-P-63-0.1M-G14-1-CPA
		0 ... 0.4	0 ... 4	0 ... 58	1	0 ... 0.4 MPa		8178633	PAGN-P-63-0.4M-G14-1-CPA
		0 ... 0.6	0 ... 6	0 ... 87	1	0 ... 0.6 MPa		8178634	PAGN-P-63-0.6M-G14-1-CPA
		0 ... 1	0 ... 10	0 ... 145	2.5	0 ... 1 MPa		8178630	PAGN-P-63-1M-G14-CPA
		0 ... 1.6	0 ... 16	0 ... 232	2.5	0 ... 1.6 MPa		8178631	PAGN-P-63-1.6M-G14-CPA
					1	0 ... 1.6 MPa		8178635	PAGN-P-63-1.6M-G14-1-CPA

1) Certification for measuring devices in China