

Electrical connection technology, for inputs/outputs

Technical data – KVIA-...

- Plug socket with cable for inputs/ outputs
- Pre-assembled at both ends
- Cable lengths 5 m or 10 m
- 4-pin/5-pin
- Round plug
- Suitable for chain link trunking



General technical data	
Type	KVIA-...
Type of mounting	M16/M12 union nut
Mounting position	Any
Operating voltage range	[V AC] Max. 250
Current-carrying capacity	[A] 1
Protection class to EN 60 529	IP65 (assembled)
Material of housing	PBT
Material of contacts	Silver-plated/gold-plated bronze
Material of cable sheath	PVC
Ambient temperature	[°C] -30 ... +80

Ordering data								
	Suitable for chain link trunking	Electrical connection	Constructional design [mm ²]	Cable diameter [mm]	Product weight [g]	Cable length [m]	Part No.	Type
	■	Straight plug Straight socket	4x0.25	6.2	297	5	161984	KVIA-MPYE-5
	■	Straight plug Straight socket	4x0.25	6.2	530	10	161985	KVIA-MPYE-10
	■	Straight plug Angled socket	6x0.25	8	352	5	163882	KVIA-MPPE-5
	■	Straight plug Angled socket	6x0.25	8	828	10	163883	KVIA-MPPE-10

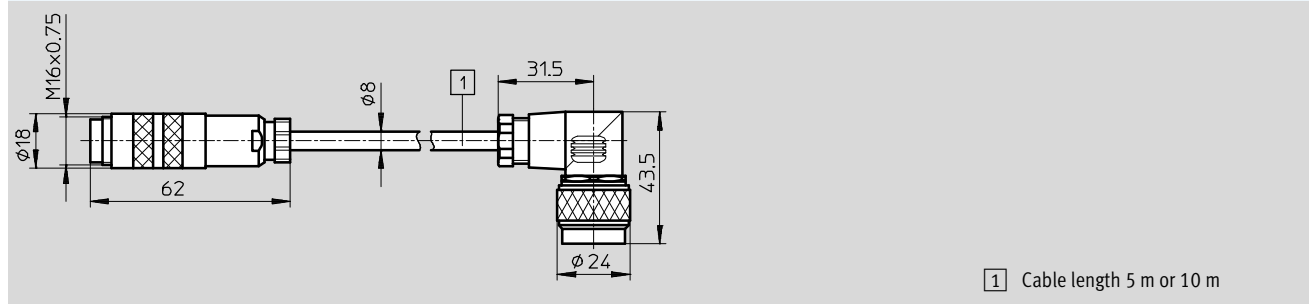
Electrical connection technology, for inputs/outputs

Technical data – KVIA-...

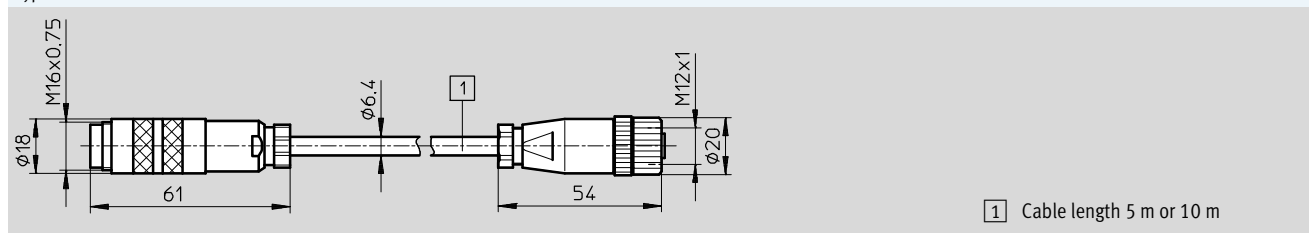
Dimensions

Download CAD data → www.festo.com

Type KVIA-MPPE-...



Type KVIA-MPYE-...



Wiring allocation (socket/plug view)

Type KVIA-MPPE-...

Plug	Pin	Core colour	Pin	Socket
	1	Grey	6	
	2	Pink	8	
	3	Green	4	
	4	Yellow	2	
	5	Brown	7	
	6	White	3	
	Housing	Screen	-	

Type KVIA-MPYE-...

Plug	Pin	Core colour	Pin	Socket
	1	-	-	
	2	-	-	
	3	Green	3	
	4	Yellow	4	
	5	Brown	1	
	6	White	2	
	Housing	Screen	-	