

- Bellows and curved jaw couplings
- Rigid and backlash-free transmission of torque
- Connecting shafts
- For synchronising toothed belt axes

Accessories for electrical positioning systems

Key features

At a glance

Bellows couplings

5 / 2.3-3

- The one-piece bellows coupling is suitable for rigid and backlash-free transmission of small and medium torques between electric motors and axes
- \varnothing 15 and 19 mm
- System product for positioning applications



Curved jaw couplings

5 / 2.3-3

- The three-part curved jaw coupling is suitable for rigid and backlash-free transmission of high torques between electric motors and axes
- \varnothing 15, 16, 30, 40, 42, 65 mm
- System product for positioning applications



Connecting shafts

5 / 2.3-9

- For synchronising toothed belt axes
- For torsion-resistant transmission of torques
- For slip-free transmission of an identical feed speed, i.e. when connecting a second axis
- Sizes: 25, 40, 63 mm



Couplings KSE

Type codes

		KSE	–	19	–	24	–	D06	–	D09
Type										
KSE	Bellows coupling									
	Curved jaw coupling									
∅ [mm]										
15	∅ 15 mm									
16	∅ 16 mm									
19	∅ 19 mm									
30	∅ 30 mm									
40	∅ 40 mm									
42	∅ 42 mm									
65	∅ 65 mm									
Overall length										
20	20 mm									
22	22 mm									
24	24 mm									
32	32 mm									
35	35 mm									
50	50 mm									
66	66 mm									
90	90 mm									
Hole D1										
Hole D2										

Couplings KSE

Technical data



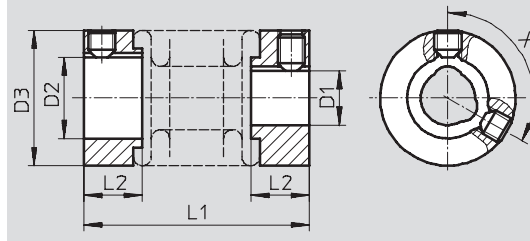
Bellows coupling KSE

∅ - Diameter
15 and 19 mm



General technical data		
Type	KSE-15	KSE-19
Mass moment of inertia [kg mm ²]	0.13	0.47
Tightening torque of locking screw [Nm]	1.5	1.5
Weight [g]	6	12
Materials	Hubs	Aluminium
	Bellows	Stainless steel

Dimensions and ordering data Download CAD data → www.festo.com/en/engineering



∅ [mm]	D1 ¹⁾ ∅ H7	D2 ∅ H7	D3 ∅	L1	L2	X	Transferable torque ²⁾ [Nm]	Part No.	Type
15	4	5	15	22	6.5	-	1	530 084	KSE-15-22-D04-D05
	4	6	15	22	6.5	-	1	540 750	KSE-15-22-D04-D06
	4	7	15	22	6.5	-	1	184 260	KSE-15-22-D04-D07
	4	9	15	22	6.5	-	1	184 262	KSE-15-22-D04-D09
	5	5	15	22	6.5	-	1	530 085	KSE-15-22-D05-D05
	5	6	15	22	6.5	-	1	540 751	KSE-15-22-D05-D06
	5	7	15	22	6.5	-	1	184 261	KSE-15-22-D05-D07
	5	9	15	22	6.5	-	1	529 953	KSE-15-22-D05-D09
19	6	6.35	19	24	7.5	120	1.5	530 086	KSE-19-24-D06-D06,35
	6	9	19	24	7.5	120	1.5	184 263	KSE-19-24-D06-D09

1) Tolerance field g6
2) For drive shafts with tolerance field h6

Couplings KSE

Technical data



Internal gear coupling KSE

∅ - Diameter
15 ... 65 mm



General technical data								
Type		KSE-15-20	KSE-16-20	KSE-30-32	KSE-30-35	KSE-40-66	KSE-42-50	KSE-65-90
Mass moment of inertia	[kg mm ²]	0.23	0.3	5,87	6.1	42.3	35.5	417
Tightening torque of locking screw	[Nm]	1.3	0.6	4	2.9	10.5	8	25
Weight	[g]	8	8	50	45	139	146	535
Materials	Hubs	Aluminium						
	Internal gear	Polyurethane						

Dimensions and ordering data Download CAD data → www.festo.com/en/engineering

KSE-15-20

1 Compress coupling to specified length only

∅	D1	D2	Torque transmitted	Part No.	Type
[mm]	∅ H7	∅ H7	[Nm]		
15	5	6	1.5	533 707	KSE-15-20-D05-D06

Couplings KSE

Technical data

FESTO

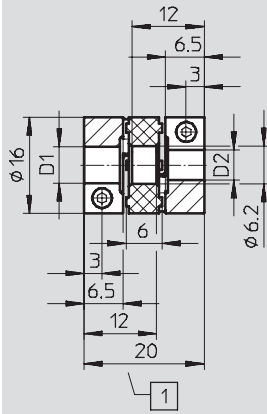
Electrical positioning systems
Accessories

2.3

Dimensions and ordering data

Download CAD data → www.festo.com/en/engineering

KSE-16-20



1 Compress coupling to specified length only

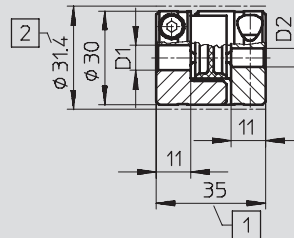
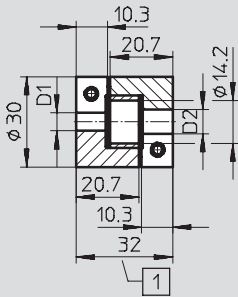
∅ [mm]	D1 ∅ H7	D2 ∅ H7	Torque transmitted [Nm]	Part No.	Type
16	5	6	1.0	543 419	KSE-16-20-D05-D06
	6	6	1.5	543 420	KSE-16-20-D06-D06

Dimensions and ordering data

Download CAD data → www.festo.com/en/engineering

KSE-30-32

KSE-30-35



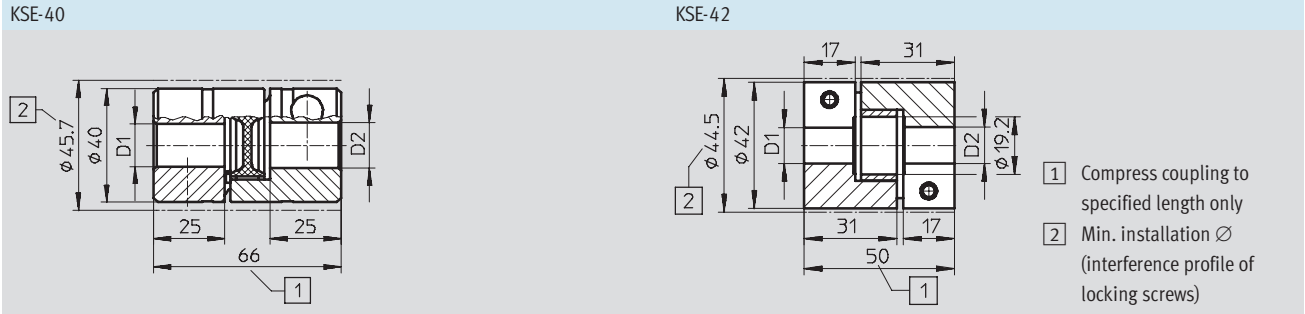
1 Compress coupling to specified length only
2 Min. installation ∅ (interference profile of locking screws)

∅ [mm]	D1 ∅ H7	D2 ∅ H7	Torque transmitted [Nm]	Part No.	Type
30	6	8	7	533 708	KSE-30-32-D06-D08
	6.35	8	7	543 421	KSE-30-32-D06,35-D08
	8	8	10	643 422	KSE-30-32-D08-D08
	8	9	10	543 423	KSE-30-32-D08-D09
	6	6.35	7.5	530 087	KSE-30-35-D06-D06,35
	6.35	8	7.5	530 088	KSE-30-35-D06,35-D08
	6	9	7.5	530 941	KSE-30-35-D06-D09
	8	8	8	123 044	KSE-30-35-D08-D08
	8	10	8	123 050	KSE-30-35-D08-D10
	8	11	8	123 042	KSE-30-35-D08-D11
	8	12	8	123 043	KSE-30-35-D08-D12
	11	12	8.9	123 051	KSE-30-35-D11-D12

Couplings KSE

Technical data

Dimensions and ordering data Download CAD data → www.festo.com/en/engineering



\varnothing [mm]	D1 \varnothing H7	D2 \varnothing H7	Torque transmitted [Nm]	Part No.	Type
40	11	11	17	530 090	KSE-40-66-D11-D11
	11	12	17	525 864	KSE-40-66-D11-D12
	12	19	17	529 952	KSE-40-66-D12-D19
	15	16	17	123 846	KSE-40-66-D15-D16
	15	19	17	123 844	KSE-40-66-D15-D19
	15	20	17	123 845	KSE-40-66-D15-D20
	15	24	17	176 033	KSE-40-66-D15-D24
	16	20	17	123 848	KSE-40-66-D16-D20
	19	20	17	123 847	KSE-40-66-D19-D20
	20	20	17	123 849	KSE-40-66-D20-D20
	XX ¹⁾	15	-	176 036	KSE-40-66-DXX-D15
XX ¹⁾	20	-	176 037	KSE-40-66-DXX-D20	
42	11	12	15	543 424	KSE-42-50-D11-D12
	12	12	17	533 709	KSE-42-50-D12-D12
	14	20	17	533 710	KSE-42-50-D14-D20

1) Hubs predrilled to $\varnothing 5$ mm

Couplings KSE

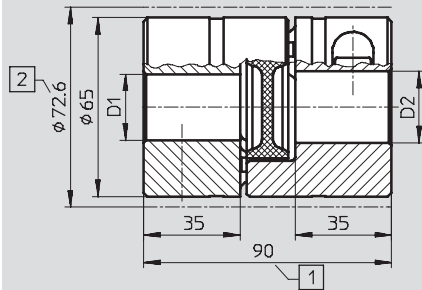
Technical data

FESTO

Dimensions and ordering data

Download CAD data → www.festo.com/en/engineering

KSE-65



- 1 Compress coupling to specified length only
- 2 Min. installation \varnothing (interference profile of locking screws)

\varnothing [mm]	D1 \varnothing H7	D2 \varnothing H7	Torque transmitted [Nm]	Part No.	Type
65	15	24	80.4	530 940	KSE-65-90-D15-D24
	20	25	86.6	176 035	KSE-65-90-D20-D25
	24	25	91.6	123 852	KSE-65-90-D24-D25
	25	25	92.8	123 853	KSE-65-90-D25-D25
	25	28	92.8	123 854	KSE-65-90-D25-D28
	XX ¹⁾	25	–	176 038	KSE-65-90-DXX-D25

1) Hubs predrilled to \varnothing 5 mm