

## Shut-off valve HE-LO

**FESTO**



### Characteristics

#### At a glance

Manually operated 3/2-way valve with piston slide.

- For systems that require pneumatic shut-off, e.g. for maintenance or repair work
- Product complies with ISO 1179-1 and ISO 228-1
- Must not be used as an EMERGENCY OFF valve

The valve is installed in air supply lines and meets the requirements of regulation OSHA 29 CFR 147 "Control of Hazardous Energy" of the US Department of Labor.

#### Pneumatic connection

Mounting in pipelines via female thread.

#### Version

The valve is used to shut off the compressed air supply while simultaneously exhausting compressed air operated systems (lock-out valve).

## Type code

001	Series
HE	On/off-exhaust valve

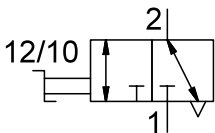
002	Pneumatic connection
G3/8	G3/8
G1	G1
G3/4	G3/4
G1/2	G1/2

## Datasheet

## General technical data

Pneumatic connection, port 1	G3/8	G1/2	G3/4	G1
Pneumatic connection, port 2	G3/8	G1/2	G3/4	G1
Pneumatic connection, port 3	G1			
Design	Piston gate valve			
Type of actuation	Manual			
Type of mounting	In-line installation With through-hole			
Mounting position	optional			
Valve function	3/2 double solenoid			
Exhaust-air function	Without flow control option			
Flow direction	Non-reversible			
Manual override	None			
Sealing principle	Soft			

## Function



## Flow characteristics

Pneumatic connection, port 1	G3/8	G1/2	G3/4	G1
Standard nominal flow rate <sup>1)</sup>	5,200 l/min	6,200 l/min	8,000 l/min	10,000 l/min
C value	20.95 l/sbar	28.13 l/sbar	36.28 l/sbar	38.47 l/sbar
b value	0.42	0.28	0.21	0.47

1) Measured at p1 = 6 bar and p2 = 5 bar, Δp = 1 bar

## Operating and environmental conditions

Operating pressure	1 ... 10 bar
Operating medium	Compressed air to ISO 8573-1:2010 [7:4:4]
Ambient temperature	-10 ... 60°C
Media temperature	-10 ... 60°C
Corrosion resistance class CRC <sup>1)</sup>	3 - High corrosion stress

1) More information: [www.festo.com/x/topic/crc](http://www.festo.com/x/topic/crc)

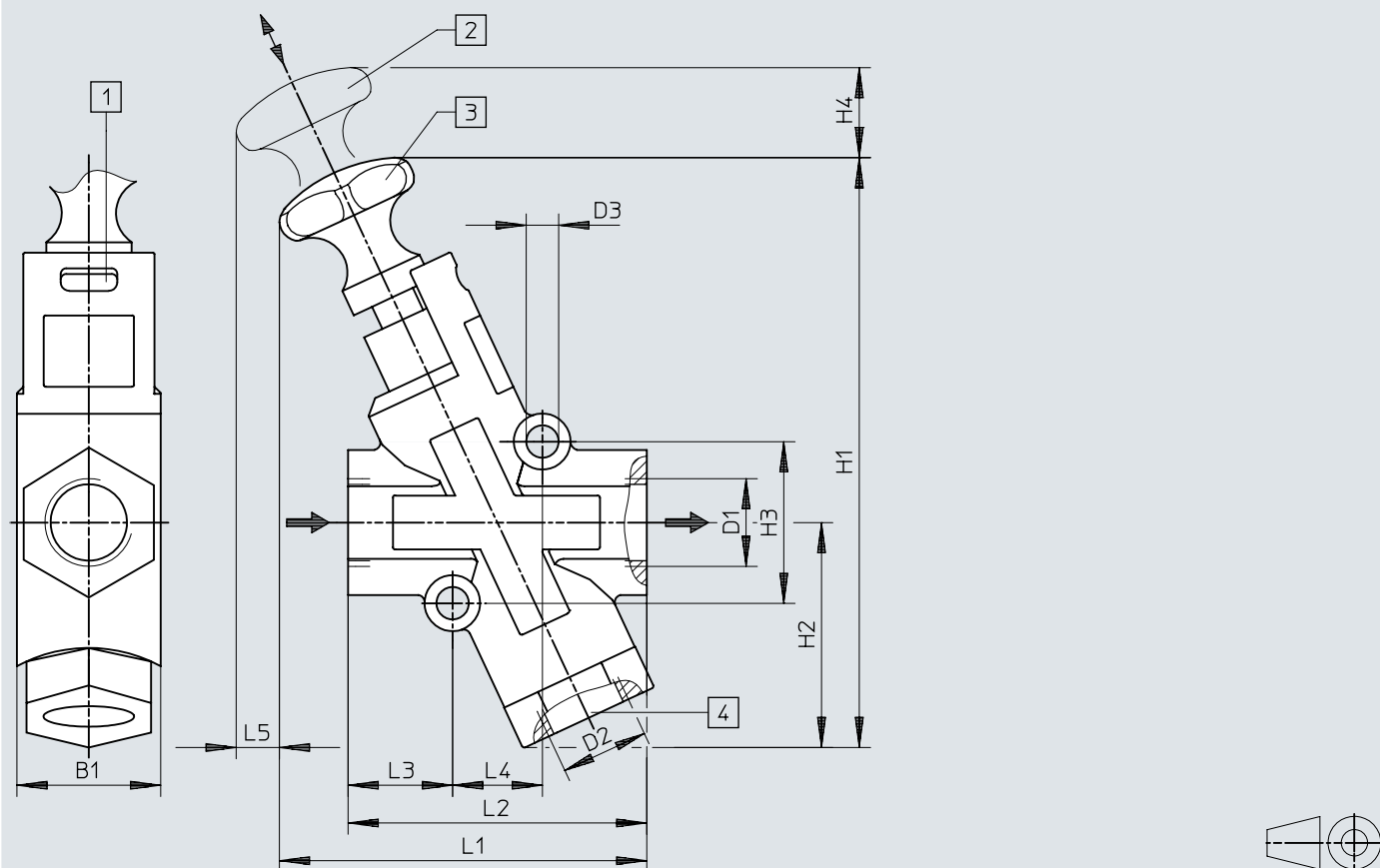
## Materials

Material housing	Die-cast aluminium, PBT
Material seals	NBR, TPE-U(PU)
LABS (PWS) conformity	VDMA24364-B1/B2-L

## Dimensions

### Dimensions – Shut-off valve


Download CAD data → [www.festo.com](http://www.festo.com)



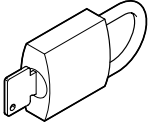
- [1] Slot for padlock
- [2] Actuator button open
- [3] Actuator button locked
- [4] Threaded connection, e.g. for silencer

	B1	D1	D2	D3 ∅	H1	H2	H3	H4	L1	L2	L3	L4	L5
HE-G3/8-LO	50,8	G1	G1	8,6	~209	~80	57,2	~20	~130	105,5	37	31,8	~9
HE-G1/2-LO		G3/4											
HE-G3/4-LO		G1/2											
HE-G1-LO		G3/8											

## Ordering data

Ordering data						
	Pneumatic connection, port 1	Pneumatic connection, port 2	Standard nominal flow rate	Product weight	Part no.	Type
	G3/8	G3/8	5,200 l/min	1,100 g	<b>197133</b>	<b>HE-G3/8-LO</b>
	G1/2	G1/2	6,200 l/min		<b>197134</b>	<b>HE-G1/2-LO</b>
	G3/4	G3/4	8,000 l/min	1,000 g	<b>197135</b>	<b>HE-G3/4-LO</b>
	G1	G1	10,000 l/min		<b>197136</b>	<b>HE-G1-LO</b>

## Accessories

Padlock LRVS-D				
	Short type code	Product weight	Part no.	Type
	LRVS-D	120 g	193786	LRVS-D