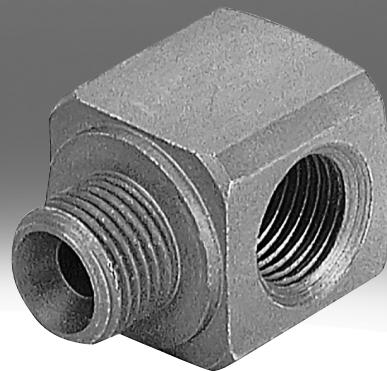


Distributor FR

FESTO



Characteristics

At a glance

- With sealing ring
- Aluminium

Datasheet

General technical data

Pneumatic connection, port 1	Male thread M5	Male thread G1/8	Male thread G1/4	Male thread G3/8
Pneumatic connection, port 2	Female thread M5	Female thread G1/8	Female thread G1/4	Female thread G3/8

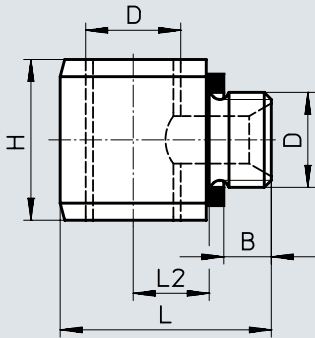
Materials

Note on materials	RoHS-compliant
LABS (PWIS) conformity	VDMA24364-B1/B2-L

Dimensions


Dimensions – Distributor FR

Download CAD data → www.festo.com



	B	D	H	L	L2
FR-M5-A/I	3,5	M5	10	14,7	5,2
FR-1/8-A/I	5	G1/8	16	22,8	8,3
FR-1/4-A/I	6,5	G1/4	22	28,9	10,4
FR-3/8-A/I	8,5	G3/8	27	32,9	11,4

Ordering data

Ordering data					
	Short type code	Pneumatic connection, port 1	Pneumatic connection, port 2	Part no.	Type
	FR	Male thread M5	Female thread M5	3559	FR-M5-A/1
		Male thread G1/8	Female thread G1/8	3583	FR-1/8-A/1
		Male thread G1/4	Female thread G1/4	3586	FR-1/4-A/1
		Male thread G3/8	Female thread G3/8	3587	FR-3/8-A/1