



- To increase force and torque capacity
- Greater torsional resistance
- Reduced vibrations with dynamic loads

Passive guide axes/Heavy-duty guides, without drive

Key features

FESTO

General

- Driveless linear guide unit with guide and freely movable slide
- Heavy-duty guides are designed to increase force and torque capacities in multi-axis applications
- Higher torsional resistance
- Reduced vibrations with dynamic loads
- Drive axes and passive guide axes/heavy-duty guides can be arranged adjacent to one another or above one another

Passive guide axis DGC-FA, can be combined with linear drive DGC

→ 4

Recirculating ball bearing guide



- Size 8 ... 63
- Stroke lengths of 1 ... 5,000 mm
- Load capacity to max. 6,890 N or 380 Nm
- Precision guidance, for DGC-KF
- Wide range of options for attaching drive units

Protected recirculating ball bearing guide



- Size 18 ... 40
- Stroke lengths of 1 ... 5,000 mm
- Load capacity to max. 6,890 N or 380 Nm
- Precision guidance, for DGC-KF
- Wide range of options for attaching drive units
- The protected guide cleans the guide rail and protects the recirculating ball bearing guide by means of an additional wiper seal and lubrication unit

Passive guide axis FDG, can be combined with toothed belt axis DGE-ZR-RF

→ 28

Roller bearing guide



- Size 25 ... 63
- Stroke lengths of 1 ... 5,000 mm, depending on the version
- Load capacity to max. 1,500 N or 600 Nm
- Precision, rigid guide, suitable for DGE-ZR-RF
- Standard slide or extended slide, depending on the version
- Wide range of options for attaching drive units
- System product for handling and assembly technology

Passive guide axis FDG, can be combined with linear drive DGPL/DGPIL or toothed belt axis DGE-ZR/spindle axis DGE-SP

→ 44

Recirculating ball bearing guide



- Size 18 ... 63
- Stroke lengths of 1 ... 5,100 mm, depending on the version
- Load capacity to max. 14,050 N or 1,820 Nm
- Precision, rigid guide, suitable for DGPL-KF and DGE-KF
- Standard slide or extended slide, depending on the version
- Wide range of options for attaching drive units
- System product for handling and assembly technology
- Optional with additional slide

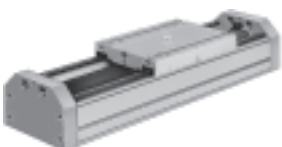
Protected version



- Sizes 25, 32, 40
- Stroke lengths of 1 ... 2,000 mm
- Load capacity to max. 7,300 N or 330 Nm
- Guide and slide are fitted with a cover to protect against the ingress of particles from above and from the side
- Wide range of options for attaching drive units
- System product for handling and assembly technology

Heavy-duty guide HD

→ 66

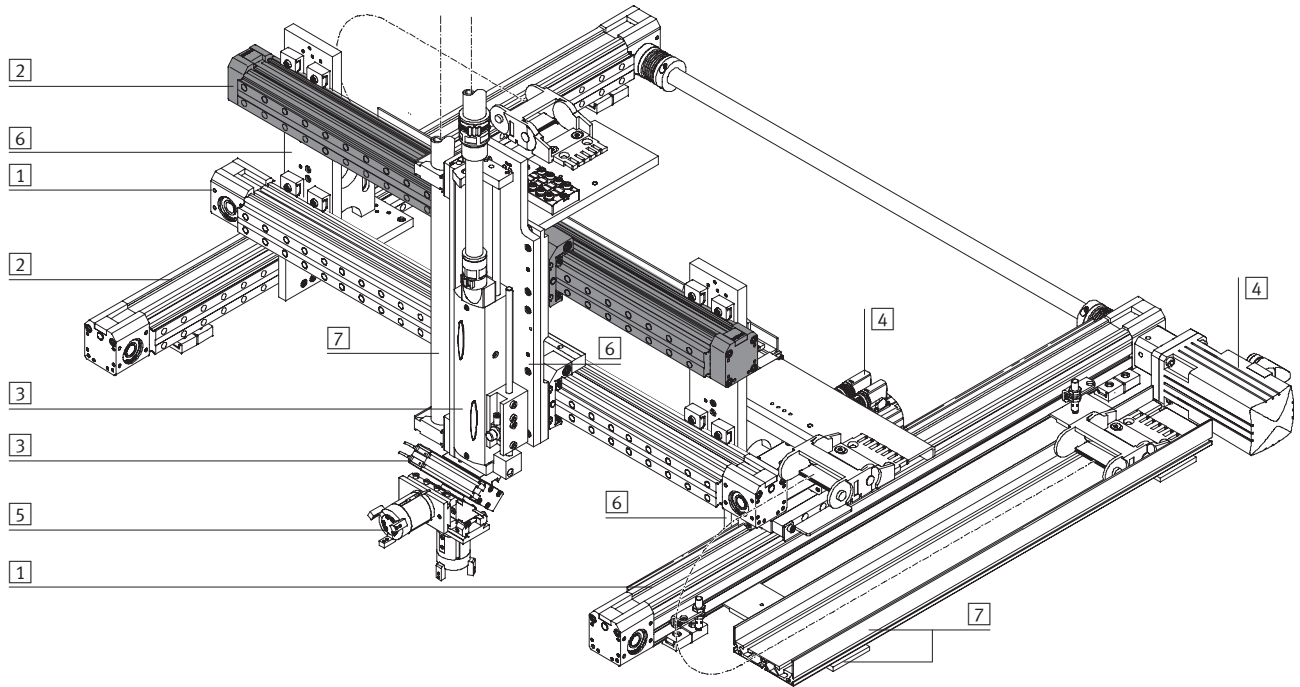


- Size HD8 ... HD40
- Stroke lengths of 10 ... 2,160 mm
- Load capacity to max. 5,600 N or 560 Nm
- Stable construction, greater rigidity
- High guide precision thanks to machined surfaces
- Wide range of options for attaching drive units

Passive guide axes/Heavy-duty guides, without drive

System example

System product for handling and assembly technology




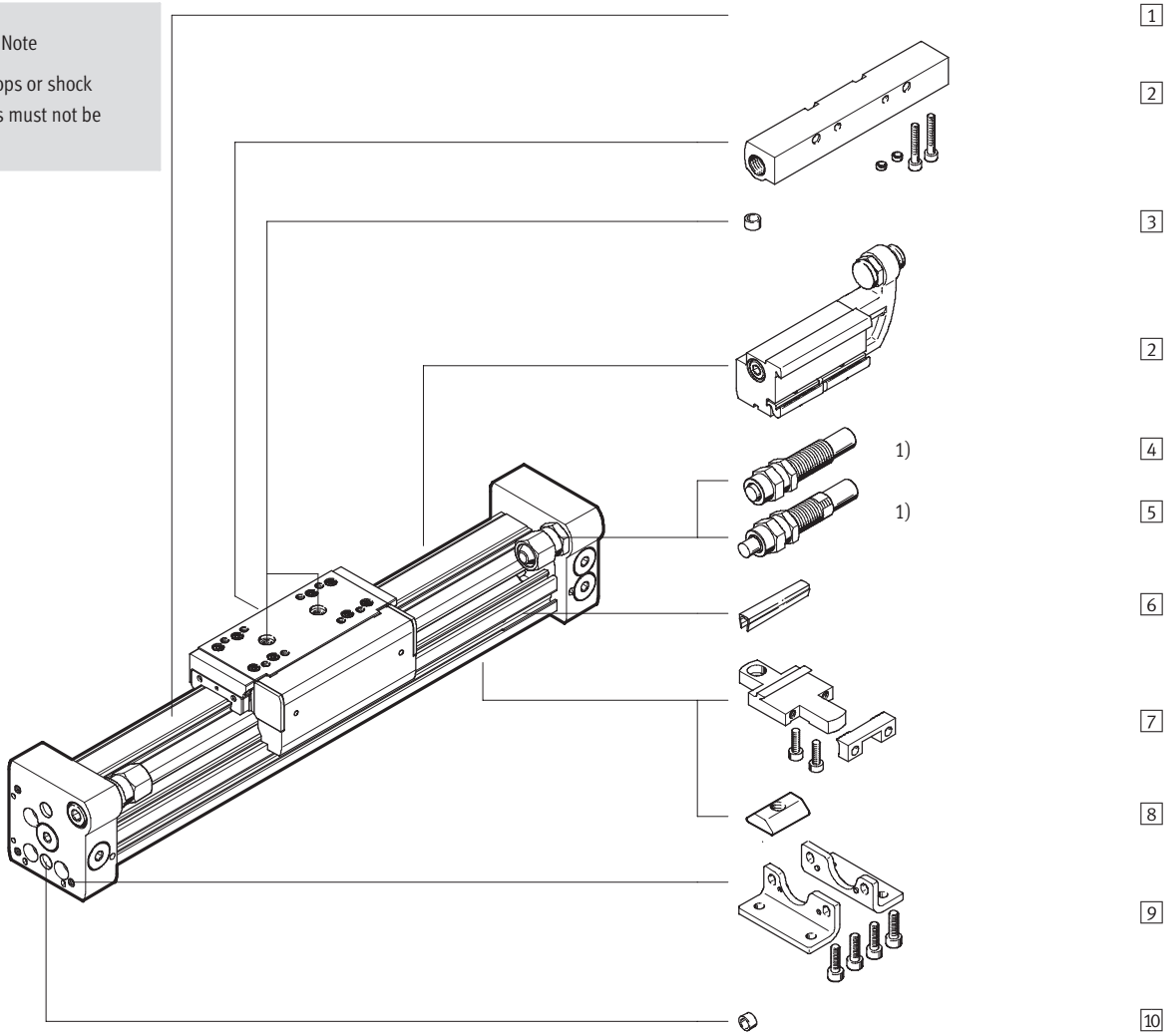
System elements and accessories		
	Brief description	→ Page/Internet
1	Axes	Wide range of combinations possible within handling and assembly technology axes
2	Passive guide axes	To increase force and torque capacity in multi-axis applications guide axes
3	Drive units	Wide range of combinations possible within handling and assembly technology drive
4	Motors	Servo and stepper motors, with or without gear unit motor
5	Grippers	Diverse variation options in handling and assembly technology gripper
6	Adapters	For drive/drive and drive/gripper combinations adapter kit
7	Installation components	For achieving a clear-cut, safe layout for electrical cables and tubing installation component

Passive guide axes DGC-FA, without drive

Peripherals overview



-  - Note
 1) End stops or shock absorbers must not be removed.



Passive guide axes DGC-FA, without drive

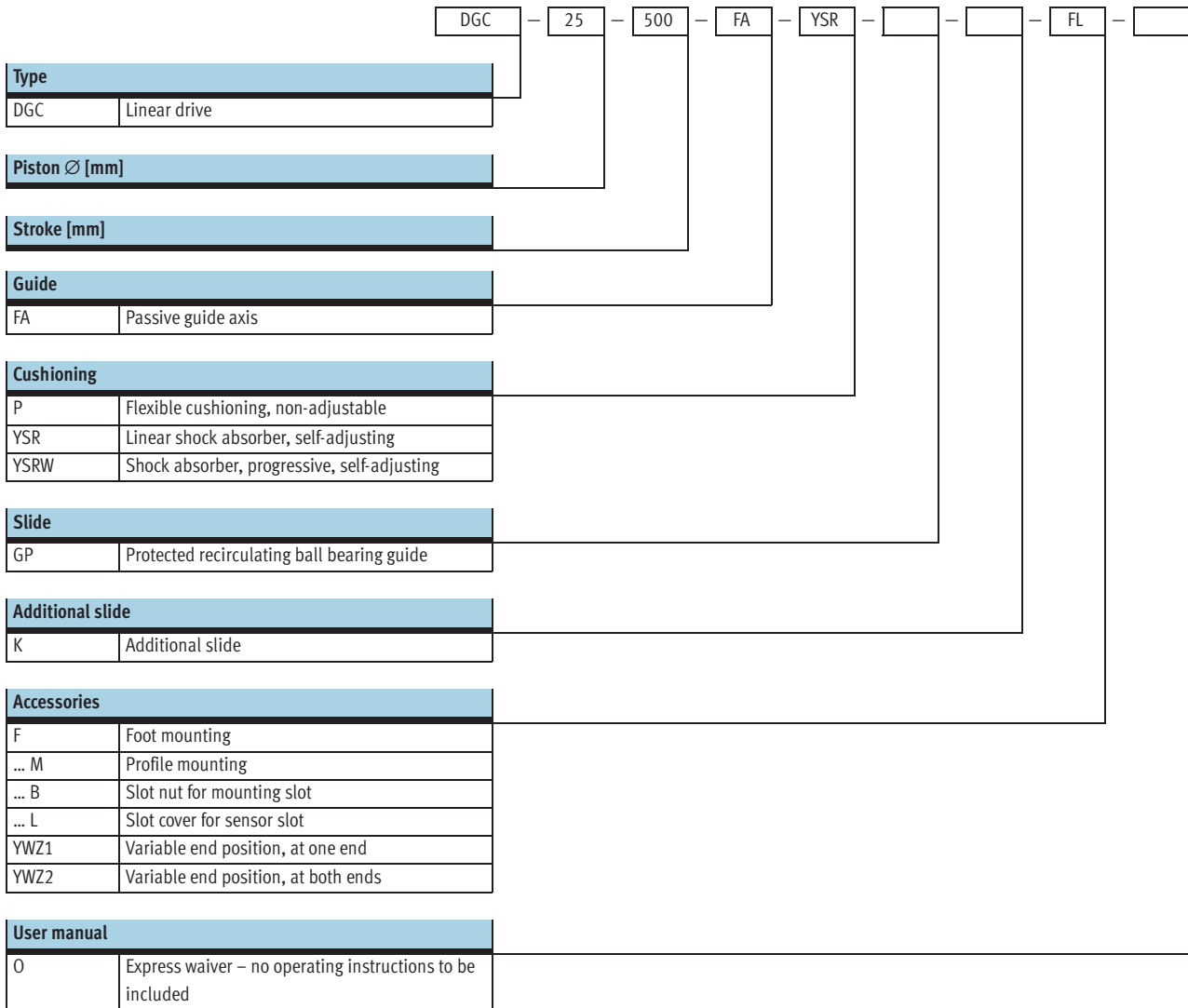
Peripherals overview

Variants and accessories		
Type	Brief description	→ Page/Internet
1) Passive guide axes DGC-FA	Passive guide axis without accessories	6
2) Mechanical end position limiter YWZ	For variable end position adjustment, e.g. for format adjustments	25
3) Centring pin/sleeve ¹⁾ ZBS/ZBH	For centring loads and attachments on the slide	27
– Cushioning P	Non-adjustable, flexible cushioning. Only used for low speeds	19
4) Shock absorber YSR	Self-adjusting hydraulic shock absorber with spring return and linear cushioning characteristic	19
5) Shock absorber YSRW	Self-adjusting hydraulic shock absorber with spring return and progressive cushioning characteristic	19
6) Slot cover L	For protecting against ingress of dirt and securing proximity sensor cables	27
7) Profile mounting M	Simple and precise mounting option via dovetail connection	24
8) Slot nut B	For mounting attachments	27
9) Foot mounting F	For mounting on end cap	20
10) Centring pin/sleeve ¹⁾ ZBS/ZBH	For centring the drive DGC without foot mountings (user-specific)	27

1) Included in the scope of delivery for the axis



Passive guide axes DGC-FA, without drive

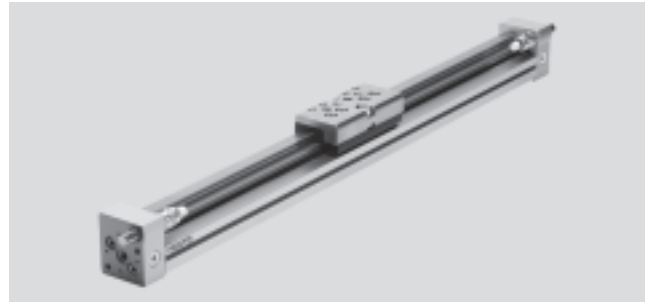
Type codes



Passive guide axes DGC-FA, without drive

Technical data

-  - Diameter
8 ... 63 mm
-  - Stroke length
1 ... 8,500 mm



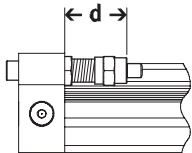
General technical data								
Piston \varnothing	8	12	18	25	32	40	50	63
Stroke [mm]	1 ... 1,300	1 ... 1,900	1 ... 3,000	1 ... 5,000				
Guide	External recirculating ball bearing guide							
Mounting position	Any							
Cushioning	Non-adjustable at either end							
→9	Self-adjusting at both ends							
Type of mounting	Profile mounting							
	Foot mounting							
	Direct mounting							
Max. speed [m/s]	1	1.2	3					
Repetition accuracy [mm]	0.02 (with shock absorber YSR/YSRW)							

Operating and environmental conditions	
Ambient temperature [°C]	-10 ... +60
Corrosion resistance class CRC ¹⁾	1

1) Corrosion resistance class 1 to Festo standard 940 070
Components requiring low corrosion resistance. Transport and storage protection. Parts that do not have primarily decorative surface requirements, e.g. in internal areas that are not visible or behind covers

Weights [g]								
Piston \varnothing	8	12	18	25	32	40	50	63
Basic weight per 0 mm stroke	225	391	975	2,113	2,837	6,996	13,342	22,220
Additional weight per 10 mm stroke	11	16	31	49	47	117	153	236
Moving load	77	149	331	732	1,146	2,330	4,511	8,225

Adjustable end position range d [mm]



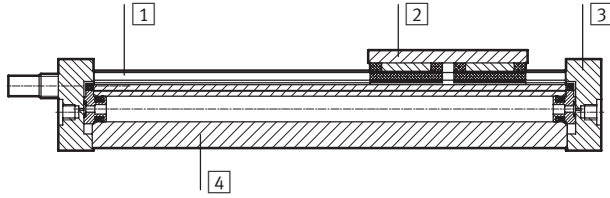
Piston \varnothing	8	12	18	25	32	40	50	63
Cushioning P	11.3 ... 16.3	12.7 ... 17.7	13.8 ... 15.8	21.1 ... 25.1	25.2 ... 30.2	28.7 ... 33.7	28.7 ... 33.7	38.8 ... 43.8
Protected guide with cushioning P	-	-	16.9 ... 18.9	23.6 ... 27.6	25.2 ... 30.2	34.7 ... 39.7	-	-
Cushioning YSR/YSRW	12.8 ... 22.8	14 ... 24	14.5 ... 34.5	22.5 ... 47.5	27.3 ... 37.3	31 ... 56	31 ... 56	41 ... 76

Passive guide axes DGC-FA, without drive

Technical data

Materials

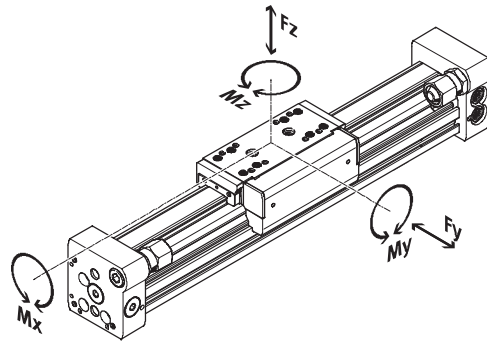
Sectional view



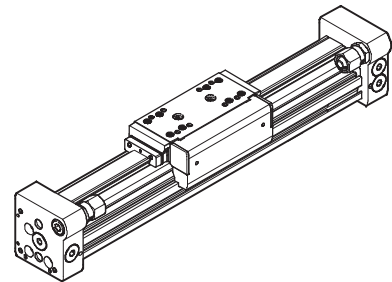
Passive guide axes		
1	Guide rail	High-alloy steel
2	Slide	High-alloy steel
3	End cap	Anodised aluminium
4	Cylinder barrel	Anodised aluminium
-	Sealing band	Polyurethane

Characteristic load values

The indicated forces and torques refer to the centre of the slide surface. They must not be exceeded in the dynamic range. Special attention must be paid to the cushioning phase.



GP – Protected guide



If the drive is subjected to more than two of the indicated forces and torques simultaneously, the following equation must be satisfied in addition to the indicated maximum loads:

$$\frac{F_y}{F_{y_{max}}} + \frac{F_z}{F_{z_{max}}} + \frac{M_x}{M_{x_{max}}} + \frac{M_y}{M_{y_{max}}} + \frac{M_z}{M_{z_{max}}} \leq 1$$

Permissible forces and torques

Piston Ø	8	12	18	25	32	40	50	63
F _y _{max.} [N]	300	650	1,850	3,050	3,310	6,890	6,890	15,200
F _z _{max.} [N]	300	650	1,850	3,050	3,310	6,890	6,890	15,200
M _x _{max.} [Nm]	1.7	3.5	16	36	54	144	144	529
M _y _{max.} [Nm]	4.5	10	51	97	150	380	634	1,157
M _z _{max.} [Nm]	4.5	10	51	97	150	380	634	1,157

-  - Note

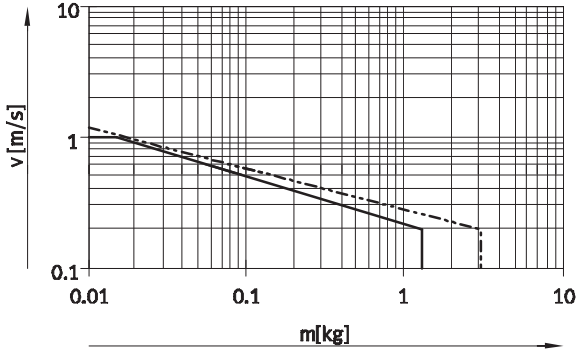
Sizing software
ProDrive
→ www.festo.com

Passive guide axes DGC-FA, without drive

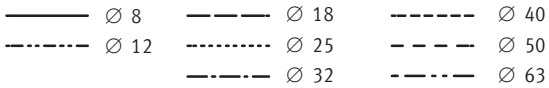
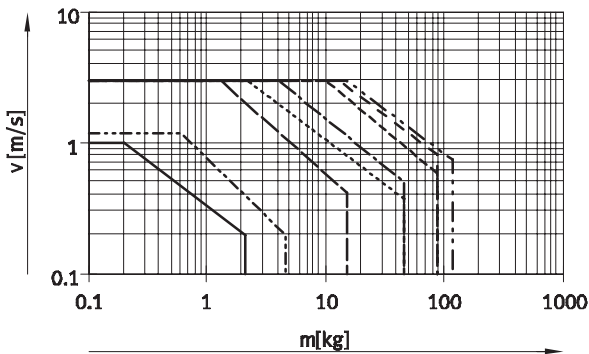
Technical data

Maximum permissible slide speed v as a function of effective load m

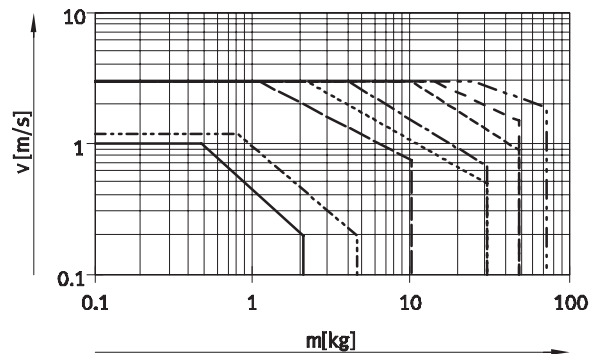
Piston \varnothing 8/12 with P cushioning




Piston \varnothing 8 ... 40 with YSR cushioning




Piston \varnothing 8 ... 40 with YSRW cushioning



 Note
This data represents the maximum values that can be achieved. Values fluctuate in practice relative to the position of the effective load and mounting position.

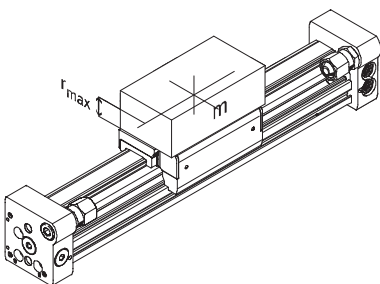
Operating range of cushioning

The end position cushioning must be adjusted to ensure jerk-free operation. If the operating conditions are outside the permissible range, the load to be moved must be cushioned using suitable equipment (shock absorbers, stops, etc.), preferably at the centre of gravity of the mass.

 Note
To avoid distortion in the slide, the attachments must maintain a flatness of 0.01 mm.

The data applies to a horizontal mounting position:

Piston \varnothing	8	12	18	25	32	40	50	63
Distance r_{max} [mm]	25	35	35	50	50	50	50	50



Passive guide axes DGC-FA, without drive

Technical data



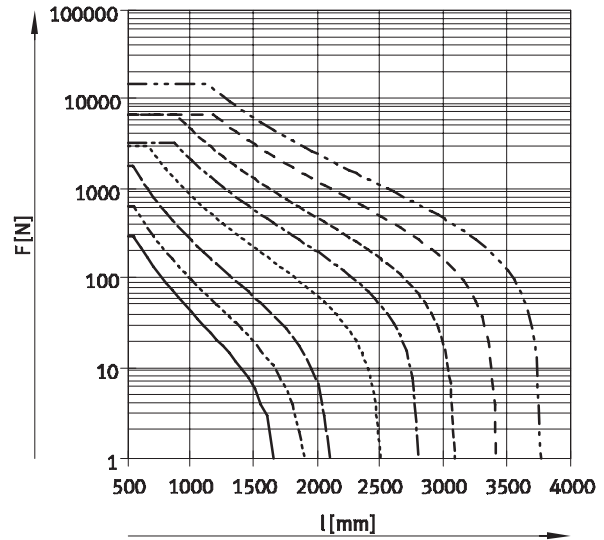
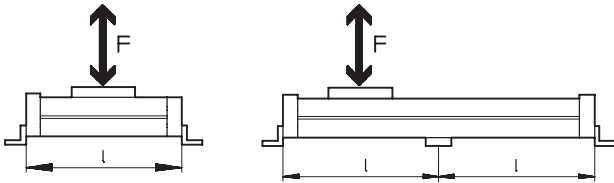
Number of profile mountings MUC dependent on force due to weight F and support span l

In order to limit deflection in the case of large strokes, the guide axis may need to be supported. The following

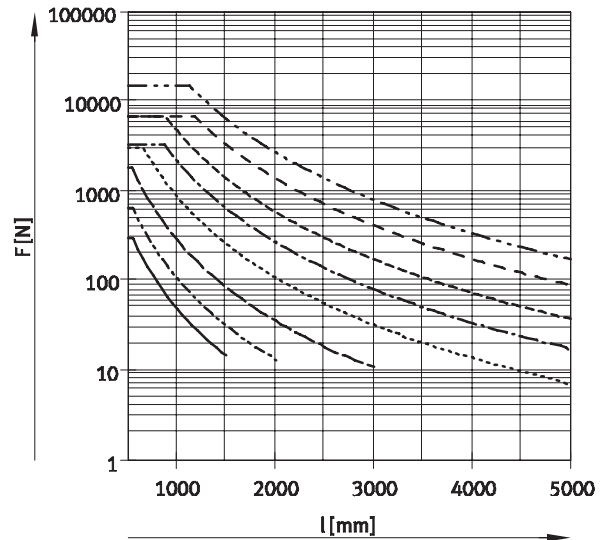
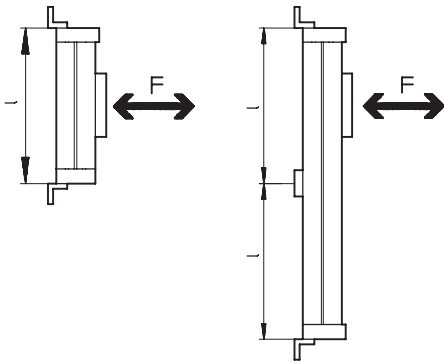
diagrams serve to determine the maximum permissible support span

as a function of the mounting position and the perpendicular force.

Horizontal mounting position



Vertical mounting position



Example:

The guide axis DGC-25-1500 is subjected to a force of 300 N in the horizontal mounting position.

The axis has an overall length of:
 $l = \text{stroke length} + L1$
 (see dimensions)
 $= 1,500 \text{ mm} + 200 \text{ mm}$
 $= 1,700 \text{ mm}$

According to the diagram, the max. support span is 1,300 mm for the axis DGC-25 with a force of 300 N.

In this example, profile mountings are required as the max. support span (1,300 mm) is smaller than the overall length of the axis (1,700 mm).

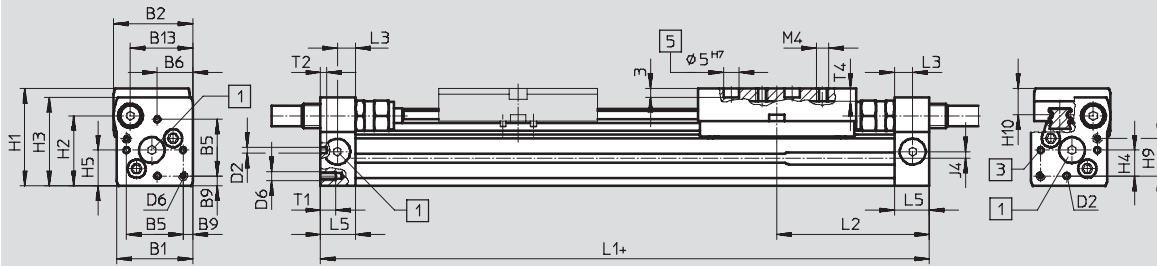
Passive guide axes DGC-FA, without drive

Technical data

Dimensions

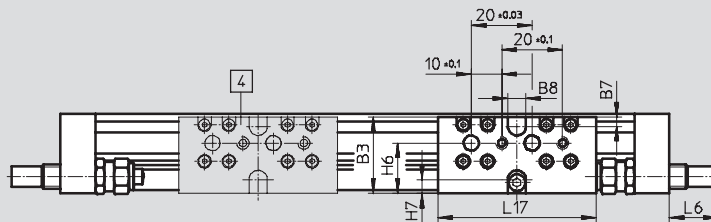
Download CAD data → www.festo.com

∅ 8 and 12



+ plus stroke length

- 1 The ports on the end caps are sealed with blanking plugs
- 3 Mounting hole for foot mounting or centring pin
- 4 Additional slide KL
- 5 Hole for centring pin ZBS



∅	B1	B2	B3	B5	B6	B7	B8	B9	B13	D2	D6
[mm]							±0.05	±0.1		∅8 H8	
8	25	26	25	18.6	11.7	3	6	3.2	20.5	2	M3
12	30.2	31	31	20.6	13.5	3	8	4.8	25	2	M4

∅	H1	H2	H3	H4	H5	H6	H7	H9	H10	J4	L1
[mm]											+0.5/ -0.4
8	32	23	29	8.5	11.7	16.5	4.5	12.3	8.7	2.2	100
12	37.5	28.5	34.5	8.7	13.5	20.5	5	14.7	9.8	3	125

∅	L2	L3	L5	L6			L17	T1	T2	T4	Stroke tolerance
				P	YSR	YSRW					
[mm]											
8	50.1	6	11.5	0	16	16.2	52	5	2	4.3	0 ... 1.7
12	62.1	8	16	0	11.3	12.3	65	6	2	5	

Profile barrel

∅ 8

∅ 12



1 Sensor slot for proximity sensor

Passive guide axes DGC-FA, without drive

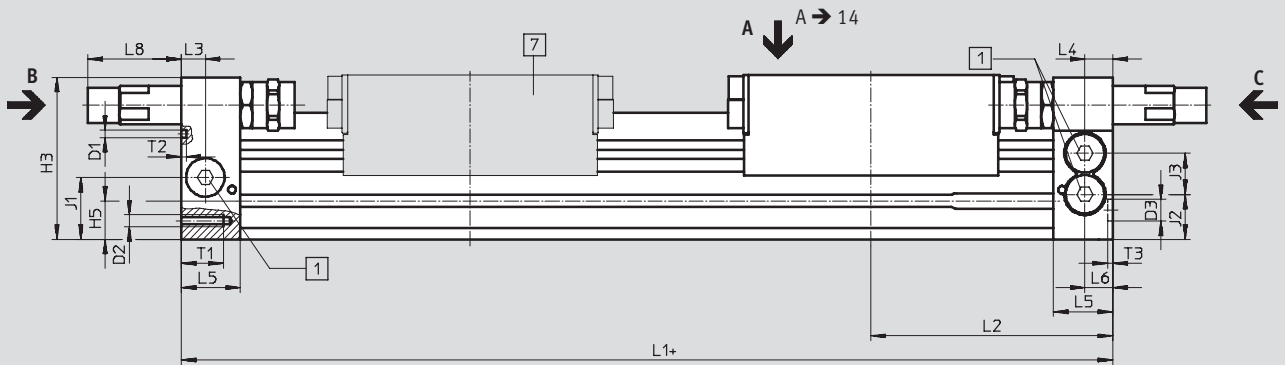
Technical data

FESTO

Dimensions

Download CAD data → www.festo.com

∅ 18 ... 40



View C

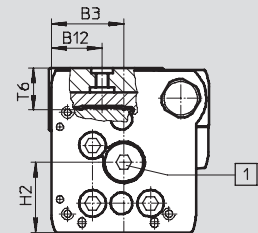
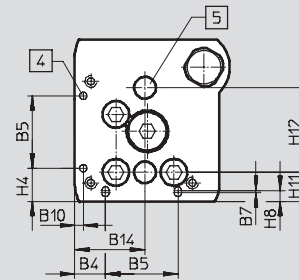
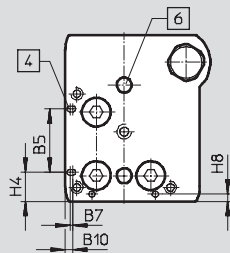
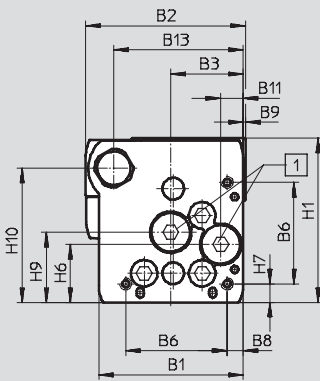
∅ 18 ... 40

View B

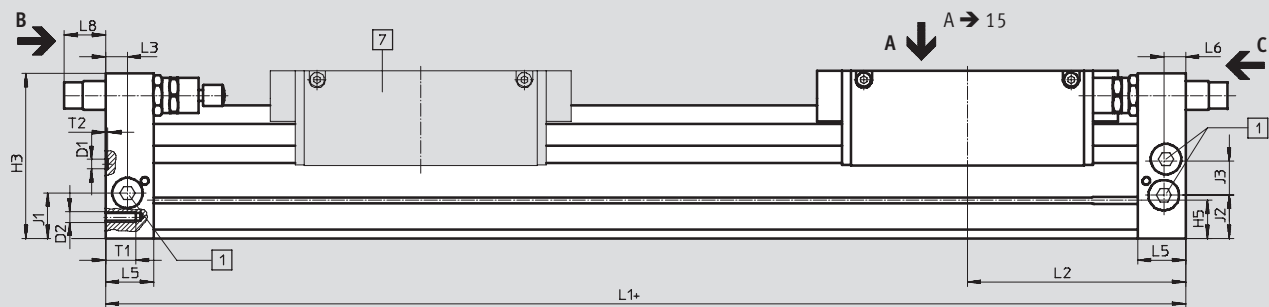
∅ 18

∅ 25 ... 40

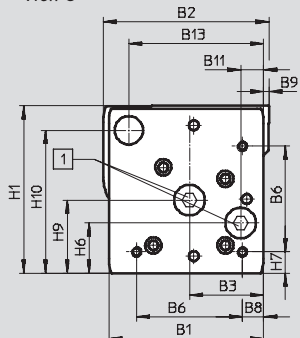
∅ 18 ... 40



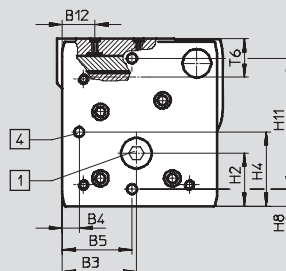
∅ 50/63



View C



View B



- + plus stroke length
- 1 The ports on the end caps are sealed with blanking plugs
- 4 Mounting hole for foot mounting HPC
- 5 Hole for centring sleeve ZBH
- 6 Hole for centring pin ZBS
- 7 Additional slide

Passive guide axes DGC-FA, without drive

Technical data

∅ [mm]	B1	B2	B3	B4	B5 ±0.05	B6	B7	B8	B9	B10	B11	B12
18	44.5	49.9	19.5	8.8	21	31	0.8	3.8	1	2.4	5.5	15.5
25	59.8	66	30	12.65	30	42	1	6.65	1	3.5	9.3	21
32	73	79	38.5	5.7	63.1	57.5	–	8.5	1.5	14	14.9	18
40	91	98.5	45	17.2	55	65	–	12.2	2	8	16.5	24.8
50	113	126.5	60	8	52.8	81.6	–	12	0	–	21	24
63	142	149	68	15.5	68	97	–	19.5	5	–	21	30

∅ [mm]	B13	B14	D1 ∅ ±0.05	D2	D3 ∅ H7	H1	H2	H3	H4 ±0.2	H5	H6
18	39	19.5	2±0.05	M4	5	56.3	23.1	55	9.6	13.4	20
25	53	30	3±0.05	M5	9	68	29	67	13.65	15.8	24
32	65	38.5	3±0.05	M6	9	78.5	30	77	5.7	17	27.7
40	80.5	45	4±0.05	M6	9	99.5	41.5	97.5	17.2	25	36.5
50	97	–	9 ^{H7}	M8	–	124.5	38.5	122.5	52.8	29.3	36
63	123.5	–	9 ^{H7}	M10	–	153.5	48.5	151	68	34.8	46

∅ [mm]	H7	H8	H9	H10	H11	H12 ±0.05	J1	J2	J3	L1	
										KF +0.9/–0.2	KF-GP +0.9/–0.2
18	4.6	2.4	25.2	46	8.5±0.15	30	20	16.5	11	150	157
25	7.65	4.5	29	55.5	12±0.15	35	26.1	18.6	17	200	205
32	8.5	14	35.2	63.8	11.45±0.15	50	30	22	18.5	250	250
40	12.2	8	44	81.5	15±0.15	60	35	26	26	300	312
50	12	8	53	104.5	100±0.05	–	30.5	30.5	28	350	–
63	19.5	15.5	67	131	120±0.05	–	41.5	39.5	31.5	400	–

∅ [mm]	L2		L3	L4	L5	L6	L8		T1	T2	T3 +0.2	T6	Stroke tolerance
	KF	KF-GP					YSR	YSRW					
18	74.5	78	5.7	5.8	15	5.5	29.9	32.4	9	2	3.1	15	0 ... 2.5
25	100	102.5	10.5	10.6	24.5	10.6	35.6	38.6	17.5	2	2.1	17.3	
32	124.8	124.8	14.5	14.5	30.5	14.5	19.5	28	15	2	2.1	20	
40	150	156	14.6	14.6	33.5	14.6	38.5	43.5	20	3	2.1	25.7	
50	175	–	17	–	41	17	31	36.3	24	2.1 ^{+0.2}	–	28.75	
63	200	–	20	–	44	20	38.3	48.3	27.5	2.1 ^{+0.2}	–	36.1	

Passive guide axes DGC-FA, without drive

Technical data

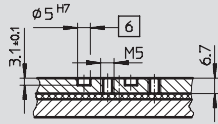
FESTO

Dimensions

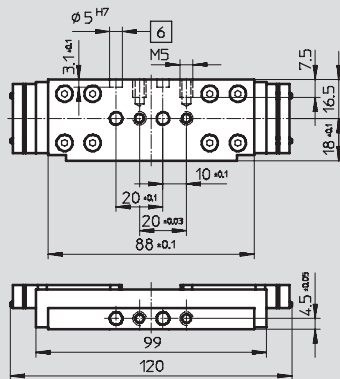
Download CAD data → www.festo.com

Slide

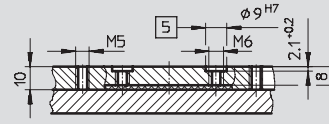
Ø 18



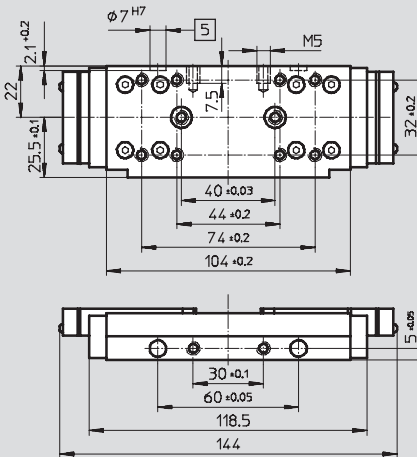
View A



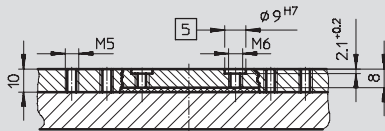
Ø 25



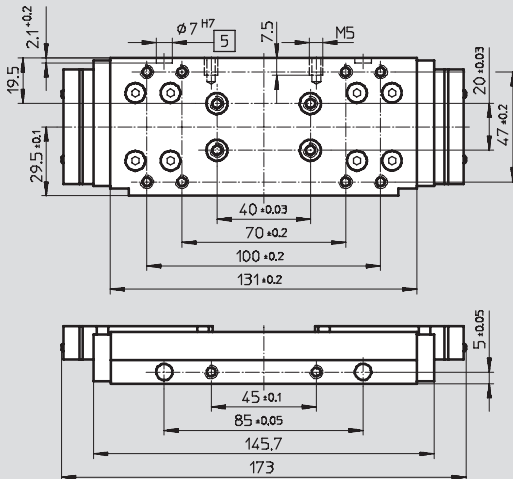
View A



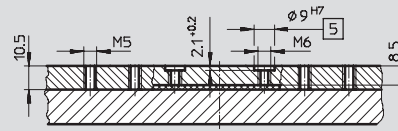
Ø 32



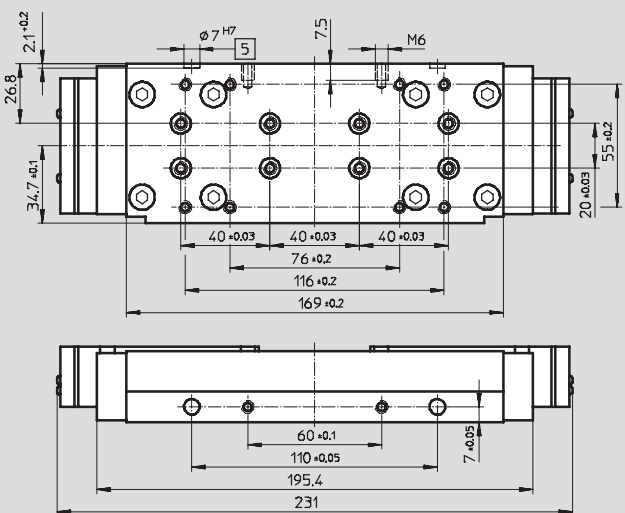
View A



Ø 40



View A



- 5 Hole for centring sleeve ZBH
- 6 Hole for centring pin ZBS

Passive guide axes DGC-FA, without drive

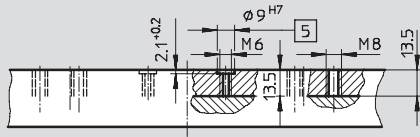
Technical data

Dimensions

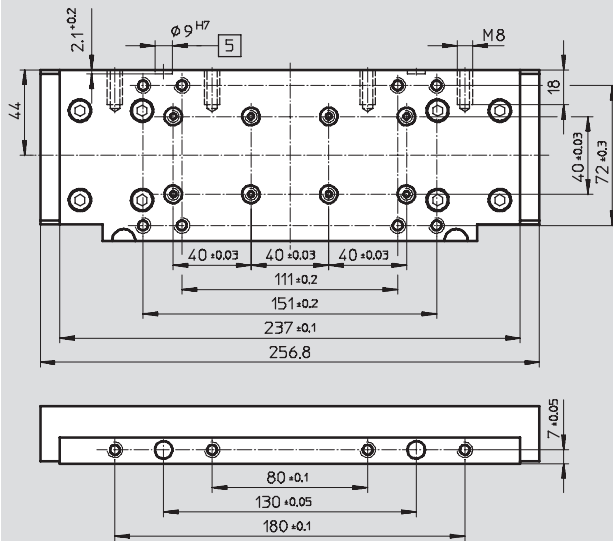
Download CAD data → www.festo.com

Slide

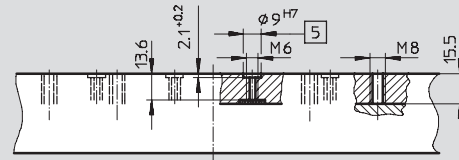
Ø 50



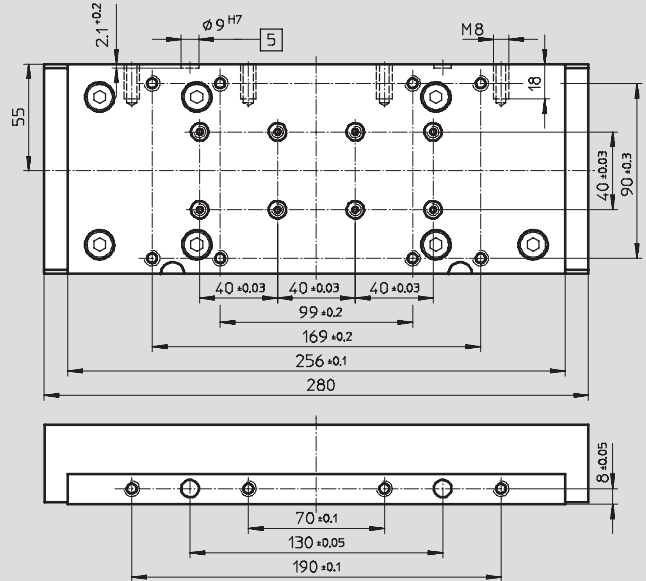
View A



Ø 63



View A



- 5 Hole for centring sleeve ZBH
- 6 Hole for centring pin ZBS

Passive guide axes DGC-FA, without drive

Technical data

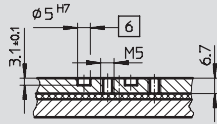
FESTO

Dimensions

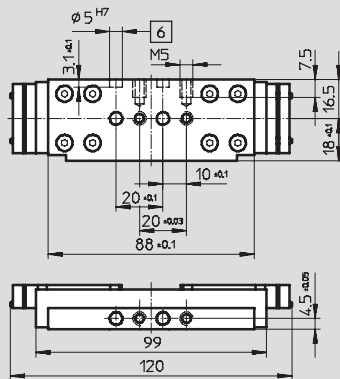
Download CAD data → www.festo.com

Slide, variant GP – Protected recirculating ball bearing guide

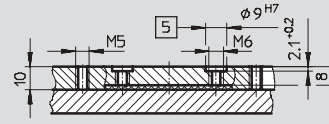
Ø 18



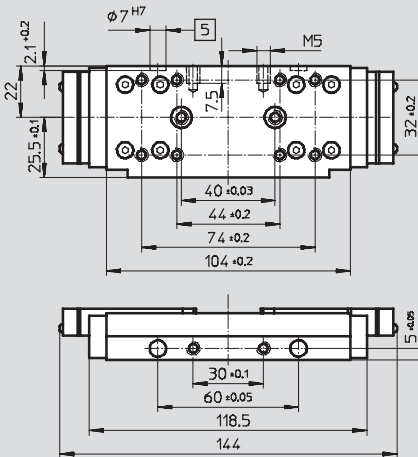
View A



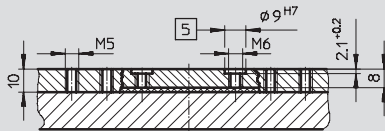
Ø 25



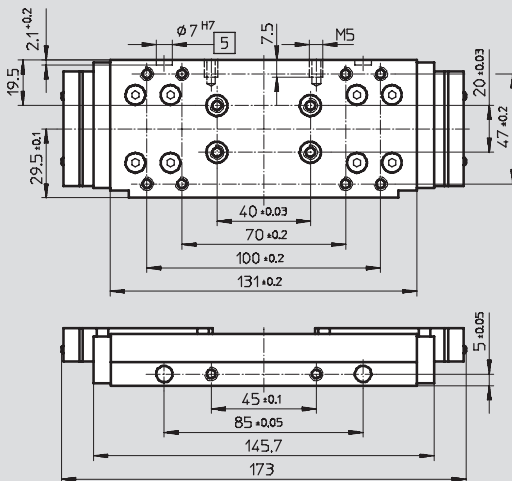
View A



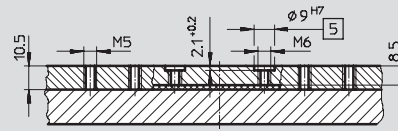
Ø 32



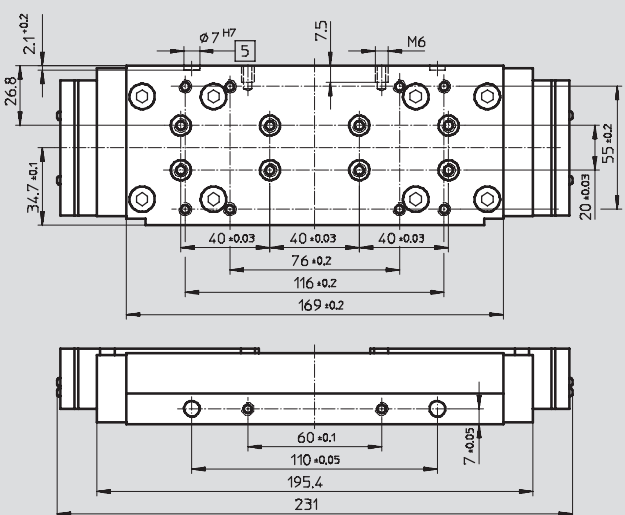
View A



Ø 40



View A



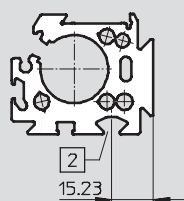
- 5 Hole for centring sleeve ZBH
- 6 Hole for centring pin ZBS

Passive guide axes DGC-FA, without drive

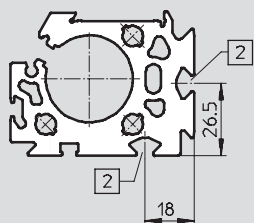
Technical data

Profile barrel

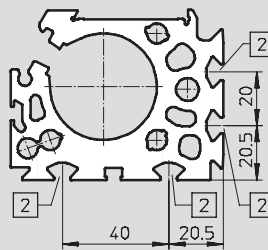
Ø 25



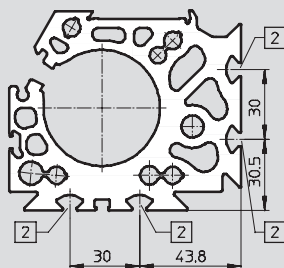
Ø 32



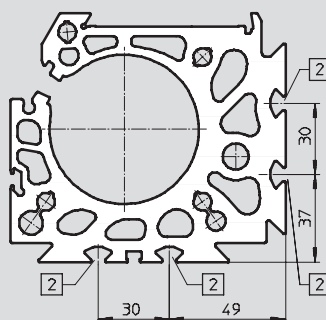
Ø 40



Ø 50



Ø 63



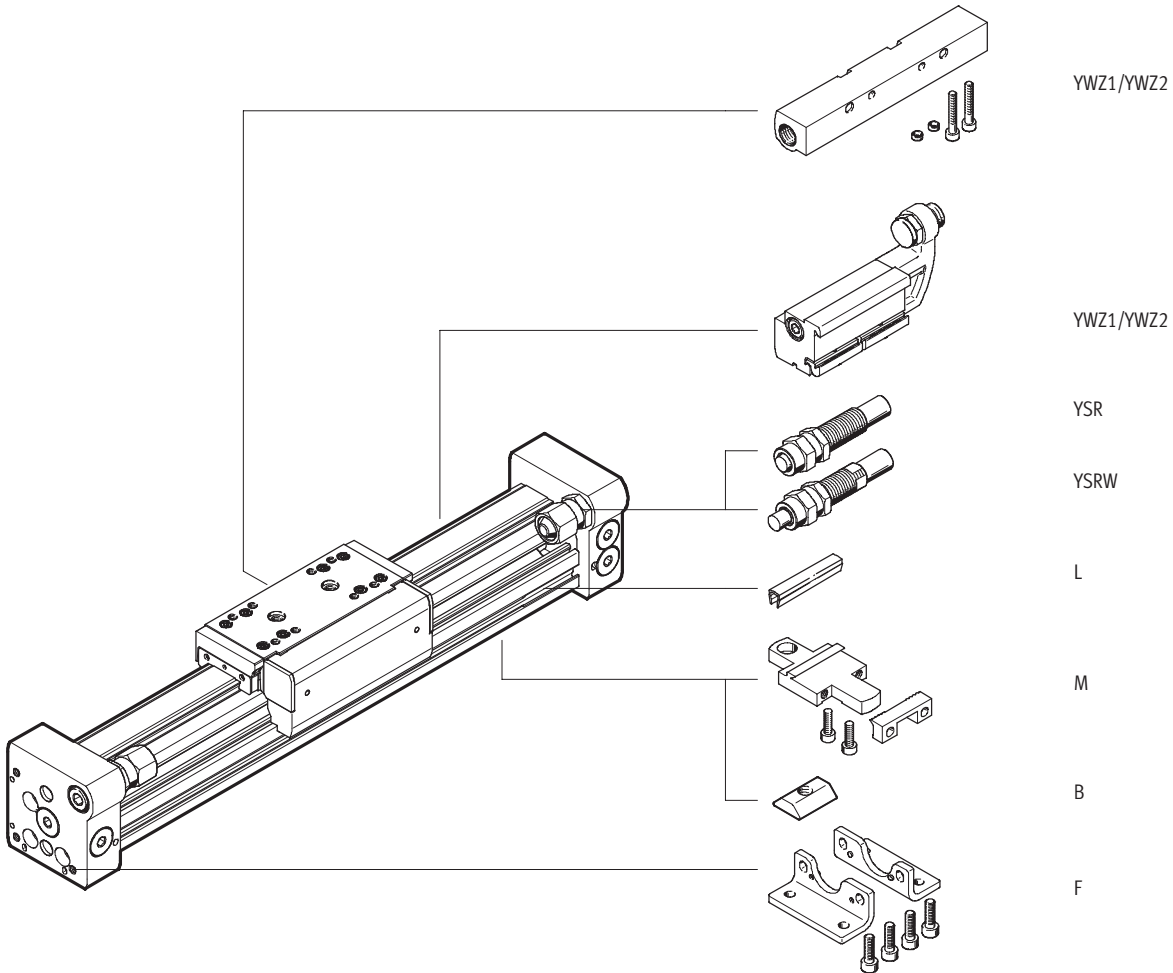
2 Mounting slot for slot nut

Passive guide axes DGC-FA, without drive

Ordering data – Modular products

Order code

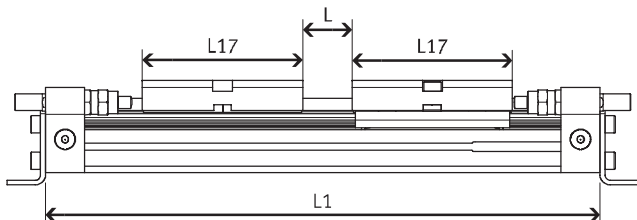
Mandatory data/options



Effective stroke reduction when ordering an additional slide K

For a guide axis DGC with additional slide, the effective stroke is reduced by the length of the additional slide and the distance between both slides.

Given:
 DGC-12-500-...
 L = 20 mm
 L17 = 65 mm



∅ [mm]	8	12	18	25	32	40	50	63
L17	52	65	99	118.5	145.7	195.4	256.8	280

The effective stroke is reduced to
 415 mm = 500 mm – 20 mm – 65 mm

Passive guide axes DGC-FA, without drive

Ordering data – Modular products

M Mandatory data				O Options					
Module No.	Function	Stroke	Guide	Slide	Accessories	User manual			
	Piston Ø		Cushioning	Additional slide	Accessories supplied loose				
530 906	DGC	8	FA	GP	F	0			
530 907		12			...M				
532 446		18			...B				
532 447		25			...L				
532 448		32			YWZ1				
532 449		40			YWZ2				
532 450		50							
532 451		63							
Order example									
530 906	DGC	- 8	- 250	- FA	- YSR	- 1K	- ZUB	- F3M	-

Ordering table												
Size	8	12	18	25	32	40	50	63	Condi- tions	Code	Enter code	
M Module No.	530 906	530 907	532 446	532 447	532 448	532 449	532 450	532 451				
Function	Driveless linear unit									DGC	DGC	
Piston Ø [mm]	8	12	18	25	32	40	50	63		-...		
Stroke [mm]	1 ... 1300	1 ... 1900	1 ... 3000	1 ... 5000					[1]	-...		
Guide	Passive guide axis without drive									-FA	-FA	
Cushioning	Flexible cushioning rings/pads at both ends									-P		
	Shock absorber, self-adjusting									-YSR		
	Shock absorber, self-adjusting, progressive									-YSRW		
O Slide	-	-	Protected recirculating ball bearing guide		-	-			[2]	-GP		
Additional slide	1 ... 2									[3]	-...K	
Accessories	Supplied loose (can be retrofitted)									ZUB-	ZUB-	
Foot mounting	1									F		
Profile mounting	1 ... 9									...M		
Slot nut for mounting slot	-	-	-	1 ... 9						...B		
Slot cover for sensor slot	-	-	1 ... 9							...L		
Mechanical end position limiter	Variable end position, at one end									[4]	YWZ1	
	Variable end position, at both ends									[4]	YWZ2	
User manual	Express waiver – no operating instructions to be included (already available)										-O	

- [1] **Stroke** Size 25, 32, 40: Strokes up to 8,500 mm on request
- [2] **GP** Not with cushioning YSR and YSRW
Not with additional slide K

- [3] **K** For a guide axis DGC with additional slide, the effective stroke is reduced by the length of the additional slide and the distance between both slides.
Not with cushioning P

- [4] **YWZ1, YWZ2** Only with cushioning YSR or YSRW

Transfer order code

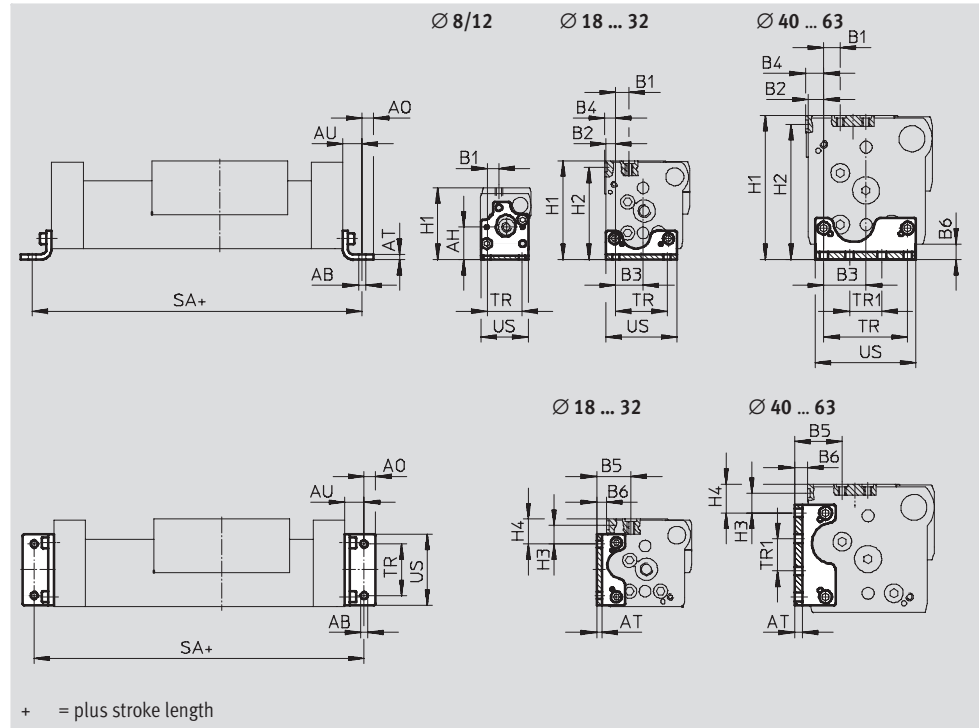
Passive guide axes DGC-FA, without drive

Accessories



Foot mounting HPC
(order code: F)

Material:
Galvanised steel



Dimensions and ordering data													
For Ø	AB	AH	AO	AT	AU	B1	B2	B3	B4	B5	B6	H1	
[mm]	Ø												
8	3.4	16.7	3	2	9	6	-	-	-	-	-	37	
12	4.5	18.5	4.5	2	11.5	5.4	-	-	-	-	-	42.5	
18	5.5	-	6.75	3	13.25	11.2	4.3	15.2	5.3	23.2	6.7	64	
25	5.5	-	9	4	15	13.35	7.65	21.35	8.65	29.5	7.5	76.5	
32	6.6	-	10	5	19	11.5	9	29.5	10.5	27	7.5	87.5	
40	6.6	-	10	6	20	12.6	12.2	32.8	14.2	36.8	10	111.5	
50	9	-	11	8	25	12.5	11.5	48.5	11.5	41	17	141.5	
63	11	-	13.5	8	28	17.5	12.5	55.5	17.5	49	14	172.5	

For Ø	H2	H3	H4	SA	TR	TR1	US	Weight	Part No.	Type
[mm]				+0.9/-0.2	±0.1	±0.1		[g]		
8	-	-	-	118	18	-	24.4	26	526 385	HPC-8
12	-	-	-	148	20	-	29.6	38	526 388	HPC-12
18	59.5	16.7	21.5	176	30	-	38.6	58	533 667	HPC-18
25	71.5	14.35	19.35	230	40	-	55	131	533 668	HPC-25
32	82.5	8	13	288	56.5	19.5	68	239	533 669	HPC-32
40	104.5	15.3	22.3	340	65	25	78	348	533 670	HPC-40
50	134.5	23.4	30.4	400	82.6	47.4	102	754	545 236	HPC-50
63	164.5	22	30	456	111	39	133	1,245	545 237	HPC-63

Passive guide axes DGC-FA, without drive

Accessories

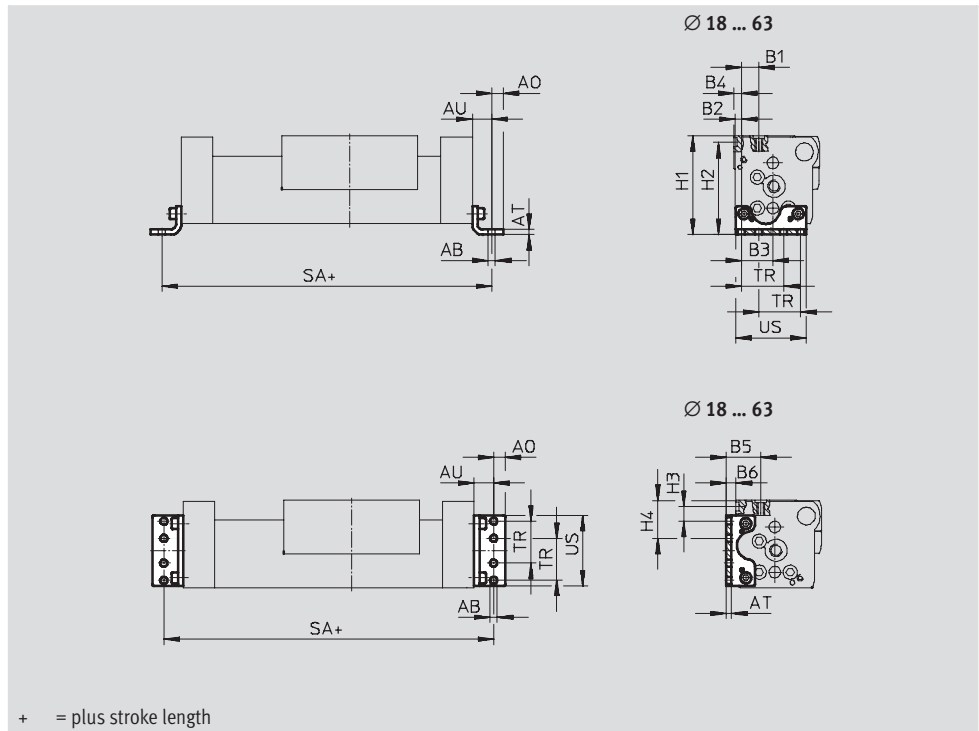


Foot mounting HPC-S

(when replacing linear drive DGPL with linear drive DGC-GF/-KF)

Material:

Galvanised steel



Dimensions and ordering data										
For Ø	AB	AO	AT	AU	B1	B2	B3	B4	B5	B6
[mm]	Ø									
18	5.5	4.75	3	13.25	12	3.5	15.6	4.5	24	7.5
25	5.5	6	3	13	16.25	4.75	24.25	5.75	29.5	7.5
32	6.6	7	4	17	9	9	29.5	10.5	27	7.5
50	9	11	8	25	12.5	11.5	48.5	11.5	38	14
63	11	13.5	8	28	17.5	12.5	55.5	17.5	37	2

For Ø	H1	H2	H3	H4	SA	TR	US	Weight	Part No.	Type
[mm]						±0.1		[g]		
18	64	59.5	16.7	28	176.5+0.9/-0.2	24	40	54.5	535 600	HPC-18-S
25	75.5	70.5	11.45	29.75	226+0.9/-0.2	32.5	55	89.5	535 601	HPC-25-S
32	87.5	82.5	8	31.5	284+0.9/-0.2	38	68	180	538 413	HPC-32-S
50	138.5	131.5	23.4	48	400+1.7/-0.2	65	102	754	545 238	HPC-50-S
63	160.5	152.5	22	66	456+1.7/-0.2	75	133	1,138	545 239	HPC-63-S

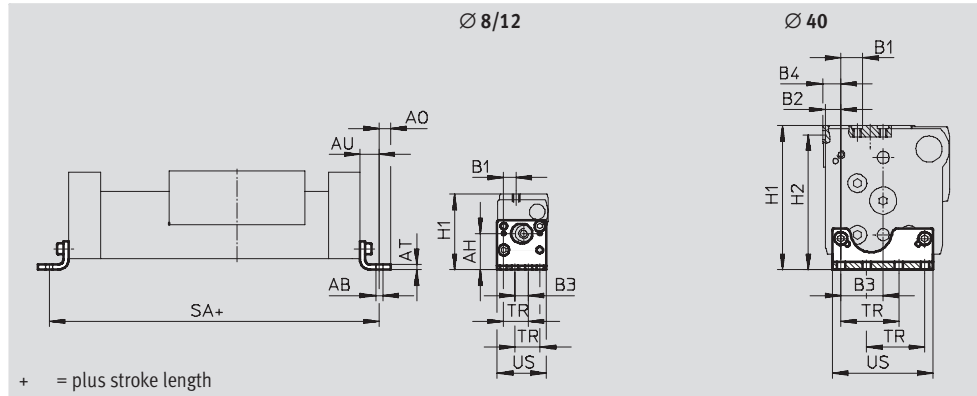
Passive guide axes DGC-FA, without drive



Accessories

Foot mounting HPC-SO
(when replacing linear drive DGPL
with linear drive DGC-GF/-KF)

Material:
Galvanised steel



Dimensions and ordering data								
For Ø	AB	AH	A0	AT	AU	B1	B2	B3
[mm]	Ø							
8	3.4	18.7	3	2	9	6.5	-	7
12	3.4	23.5	3	2	9	9.3	-	9.4
40	6.6	-	8.5	5	17.5	12.5	12.3	32.7

For Ø	B4	H1	H2	SA	TR	US	Weight	Part No.	Type
[mm]				+0.9/-0.2	±0.1		[g]		
8	-	39	-	118	13	25.4	26	529 346	HPC-8-SO
12	-	47.5	-	143	18.6	33.8	42	529 348	HPC-12-SO
40	14.3	104.5	97.5	335	45	78	264	536 745	HPC-40-SO

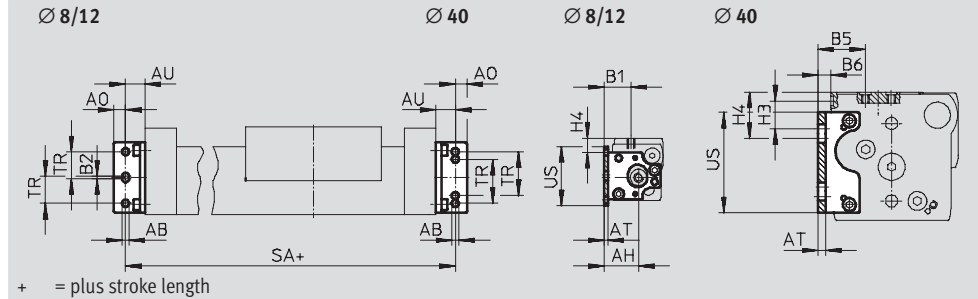
Passive guide axes DGC-FA, without drive

Accessories



Foot mounting HPC-SH
(when replacing linear drive DGPL
with linear drive DGC-GF/-KF)

Material:
Galvanised steel



Dimensions and ordering data								
For \varnothing	AB \varnothing	AH	AO	AT	AU	B1	B2	B5
[mm]								
8	3.4	17.8	3	2	9	13.8	1.5	-
12	3.4	21.1	3	2	9	16.5	1.4	-
40	6.6	-	8.5	5	17.5	-	-	36

For \varnothing	B6	H3	H4	SA	TR	US	Weight	Part No.	Type
[mm]				+0.9/-0.2	± 0.1		[g]		
8	-	-	7.25	118	13	30.5	25	529 347	HPC-8-SH
12	-	-	4.5	143	18.6	41.8	41.5	529 349	HPC-12-SH
40	9.2	21.6	36	335	45	78	275	536 746	HPC-40-SH

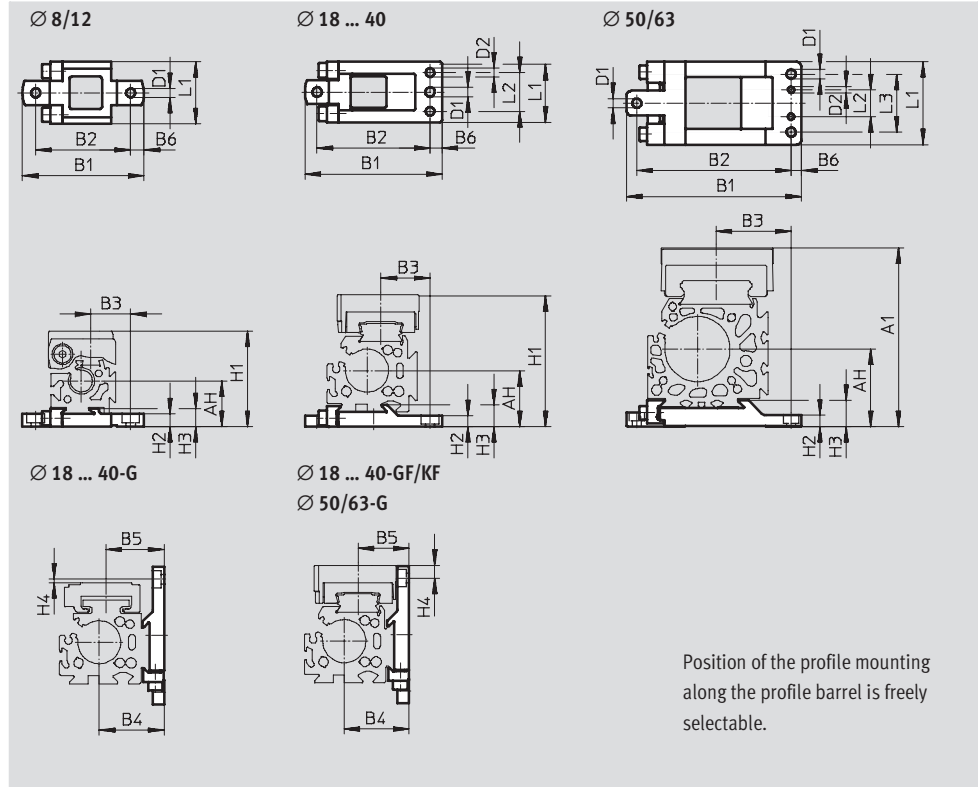
Passive guide axes DGC-FA, without drive

Accessories

FESTO

Profile mounting MUC
(order code: M)

Material:
High-alloy steel



Position of the profile mounting along the profile barrel is freely selectable.

Dimensions and ordering data									
For \varnothing	AH	B1	B2	B3	B4	B5	B6	D1	D2
[mm]			± 0.2					\varnothing	\varnothing
8	17.7	47	36.7	15.35	-	-	5.1	3.5	-
12	18.5	52.5	42.2	16.5	-	-	5.1	3.5	-
18	27.2	67.8	56	28.7	27.2	28.7	5.7	5.5	5
25	32.5	79.5	65.5	28.5	37.5	29.5	7	5.5	5
32	37.5	94	80	35	47.5	37	7	5.5	5
40	47	110.5	96	43	57	46.8	7	6.5	6
50	61	145	125	56	77	61	7	9	6
63	75	169	149	72.5	87	69	10	9	6

For \varnothing	H1	H2	H3	H4	L1	L2	L3	Weight	Part No.	Type
[mm]								[g]		
8	37	5	7	-	24	-	-	28	526 384	MUC-8
12	42.5	4.5	7	-	24	-	-	32	526 387	MUC-12
18	64	5.7	9.9	6.4	33	20.5	-	78	531 752	MUC-18
25	76.5	6.5	12.5	7.43	35	22.5	-	113	531 753	MUC-25
32	87.5	6.5	13	4	45	30	-	174	531 754	MUC-32
40	111.5	8.5	16	11.3	60	44	-	346	531 755	MUC-40
50	159	11	23.5	9.2	80	26	56	874	531 756	MUC-50
63	172.5	11	23.5	15	80	26	56	1,080	531 757	MUC-63

Passive guide axes DGC-FA, without drive

Accessories

Shock absorber retainer DADP

Stop KYC

(order code: YWZ1 or YWZ2)

Materials: Stop

Housing: Anodised aluminium

Stop bracket: Stainless steel casting

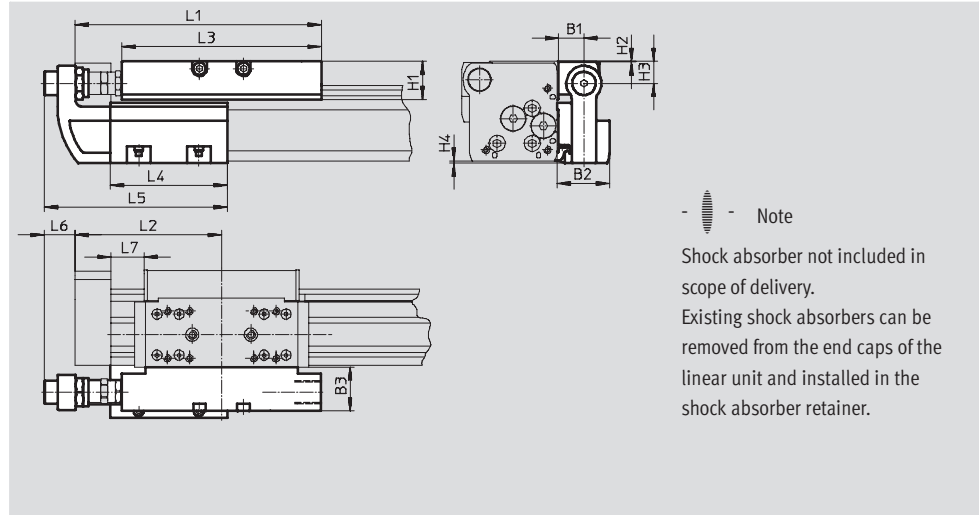
Clamp: High-alloy steel

Free of copper and PTFE

Materials: Shock absorber retainer

Housing: Anodised aluminium

Free of copper and PTFE



Note
Shock absorber not included in scope of delivery. Existing shock absorbers can be removed from the end caps of the linear unit and installed in the shock absorber retainer.

Dimensions							
For Ø	B1	B2	B3	H1	H2	H3	H4
[mm]							
18	16	34.5	29	20.7	0.2	12.5	0.7
25	16.5	35	30	25.5	0.5	15	1.4
32	16.5	35	30	25.5	0.5	15	1.7
40	16	35.7	35	37	0.5	21.5	2
50	25	50	41	40.5	0.5	24	0
63	25	50	40	51.5	1.5	33	0

For Ø	L1	L2	L3	L4	L5	L6	L7
[mm]							min.
18	128	74.5	107	80	118.5	23.5	14.5
25	168	100	136	80	125	20.5	22.5
32	206.8	124.8	164	120	165	14.5	27.3
40	255	150	210	156	220.5	31	31
50	301	175	252	170	238	27	31
63	328	200	256	200	268	24	41

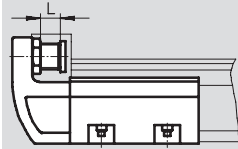
Passive guide axes DGC-FA, without drive

Accessories

FESTO

Technical data and ordering codes

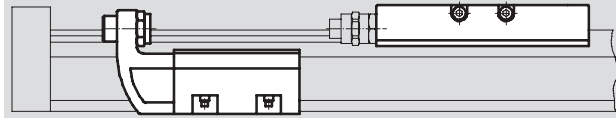
Precision adjustment



-  - Note

The stop KYC can be used in both directions.

Installation example



-  - Note

The end stop can be mounted at any position within the stroke.

For \varnothing [mm]	Precision adjustment L [mm]	Ambient temperature [°C]	CRC ¹⁾	Weight [g]	Part No.	Type
Shock absorber retainer						
18	10	-10 ... +80	2	130	541 729	DADP-DGC-18-KF
25	10			180	541 730	DADP-DGC-25-KF
32	10			215	541 731	DADP-DGC-32-KF
40	15			460	541 732	DADP-DGC-40-KF
50	15			890	545 244	DADP-DGC-50
63	15			1,080	545 245	DADP-DGC-63
Stop						
18	10	-10 ... +80	2	400	541 691	KYC-18
25	10			560	541 692	KYC-25
32	10			790	541 693	KYC-32
40	15			1,525	541 694	KYC-40
50	15			2,270	545 242	KYC-50
63	15			2,950	545 243	KYC-63


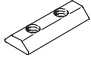

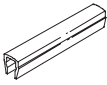
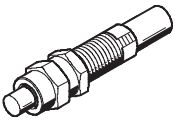
1) Corrosion resistance class 2 to Festo standard 940 070

Components subject to moderate corrosion stress. Externally visible parts with primarily decorative surface requirements which are in direct contact with a normal industrial environment or media such as coolants or lubricating agents

Passive guide axes DGC-FA, without drive

Accessories

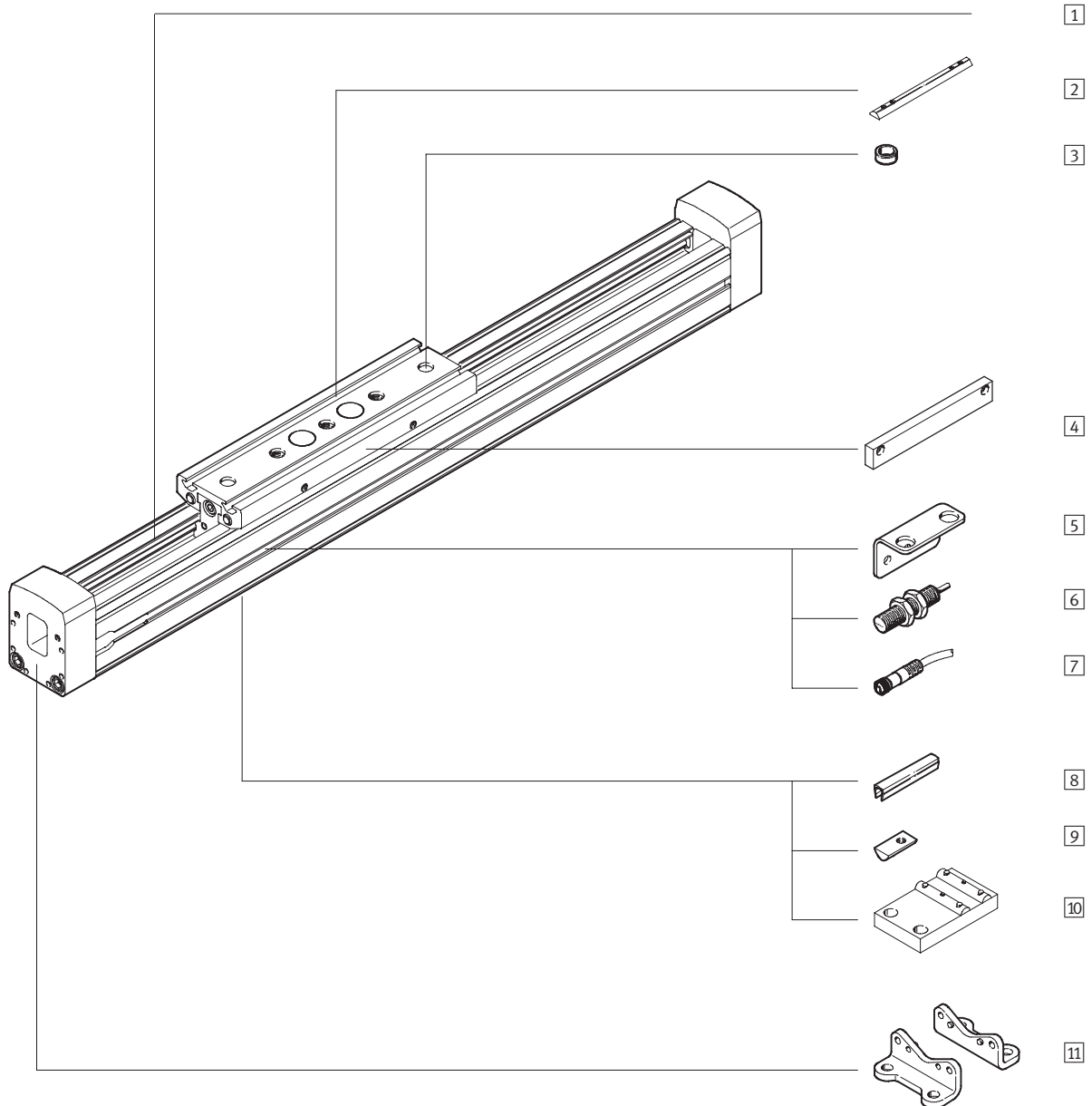
FESTO

Ordering data						
	For Ø	Remarks	Order code	Part No.	Type	PU ¹⁾
Slot nut NST Technical data → Internet: hmbn						
	25 ... 40	For mounting slot	B	547 264	HMBN-5-1M5	10
	50, 63			186 566	HMBN-5-2M5	
Centring pin/sleeve ZBS/ZBH Technical data → Internet: zbs, zbh						
	8 ... 18	For slide	-	150 928	ZBS-5	10
	25 ... 63			150 927	ZBH-9	
	8, 12	For end cap	-	525 273	ZBS-2	
	18			150 928	ZBS-5	
	25 ... 63			150 927	ZBH-9	
Slot cover ABP-S Technical data → Internet: abp						
	18 ... 63	For sensor slot each 0.5 m	L	151 680	ABP-5-S	2
Shock absorber Technical data → Internet: ysrw						
	18	For DGC-FA with recirculating ball bearing guide	YSRW	540 347	YSRW-DGC-18-KF	1
	25			540 349	YSRW-DGC-25-KF	
	32			540 351	YSRW-DGC-32-KF	
	40			540 353	YSRW-DGC-40-KF	
	50			551 489	YSRW-DGC-50-GF/KF	
	63			543 069	YSRW-DGC-63-GF/KF	

1) Packaging unit quantity

Passive guide axes FDG-ZR-RF, without drive

Peripherals overview



Passive guide axes FDG-ZR-RF, without drive

Peripherals overview

Variants and accessories		
Type	Brief description	→ Page/Internet
1 Passive guide axis FDG-ZR-RF	Guide without drive	32
2 Slot nut for slide X	For mounting loads and attachments on the slide	41
3 Centring sleeve Z	For centring loads and attachments on the slide	41
4 Switching lug L	For sensing the slide position	42
5 Mounting bracket T	Adapter for mounting the sensors on the axis	42
6 Inductive proximity sensor O/P/W/R	For use as a proximity signal and safety monitor	43
7 Cable with socket V	For proximity sensors	43
8 Slot cover B	For protecting against ingress of dirt	41
9 Slot nut for profile slot Y	For mounting attachments	41
10 Central support M	For mounting the axis	40
11 Foot mounting F	For mounting the axis	40

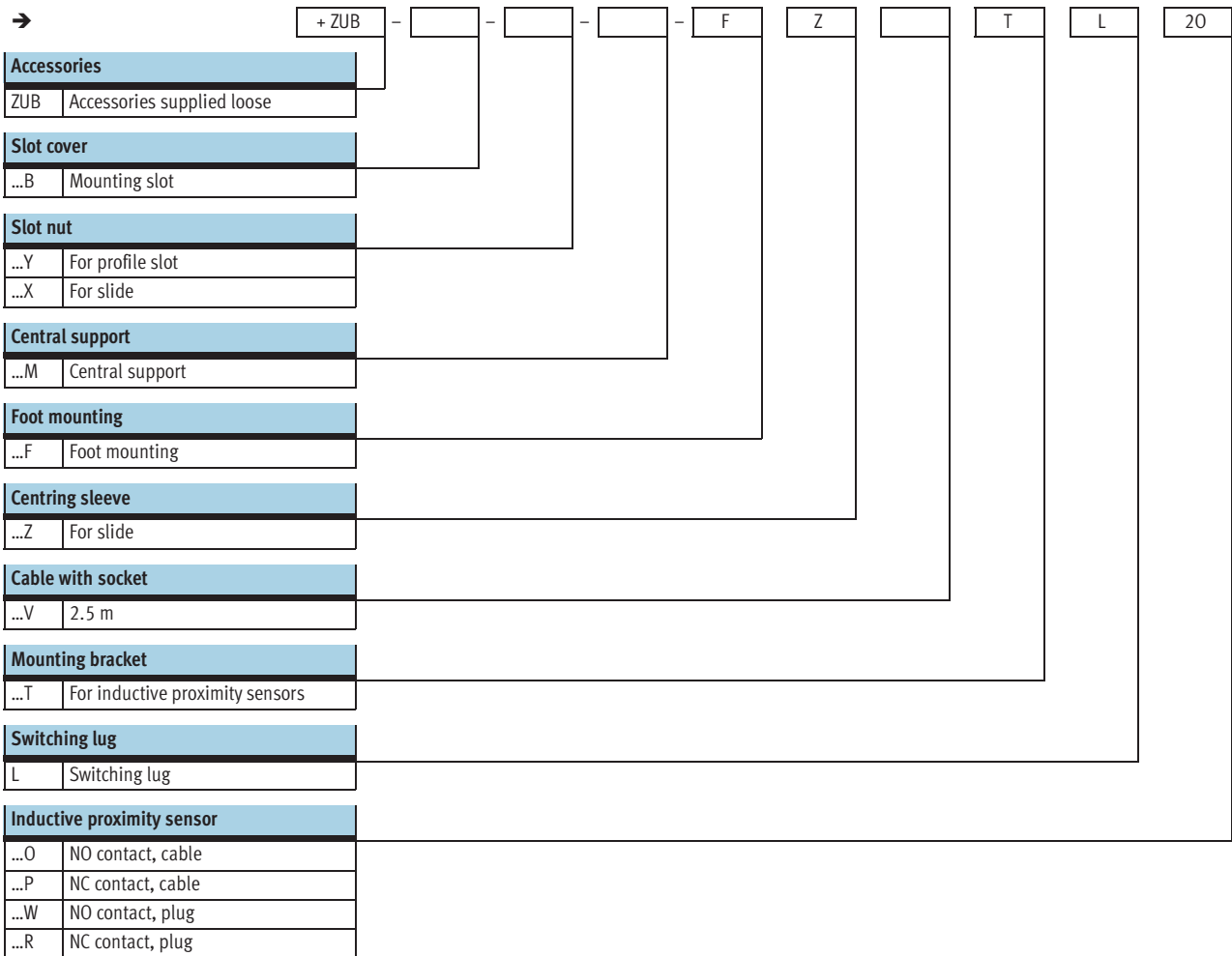
Passive guide axes FDG-ZR-RF, without drive

Type codes

		FDG	-	25	-	500	-	ZR	-	RF	-	GK
Type												
FDG	Guide unit without drive											
Size												
Stroke [mm]												
Guide axis												
ZR	For toothed belt axis DGE-ZR-RF											
Guide												
RF	Roller guide											
Slide												
GK	Standard slide											
GV	Extended slide											

Passive guide axes FDG-ZR-RF, without drive



Type codes



Passive guide axes FDG-ZR-RF, without drive

FESTO

Technical data

-  - Size
25 ... 63
-  - Stroke length
1 ... 5000 mm



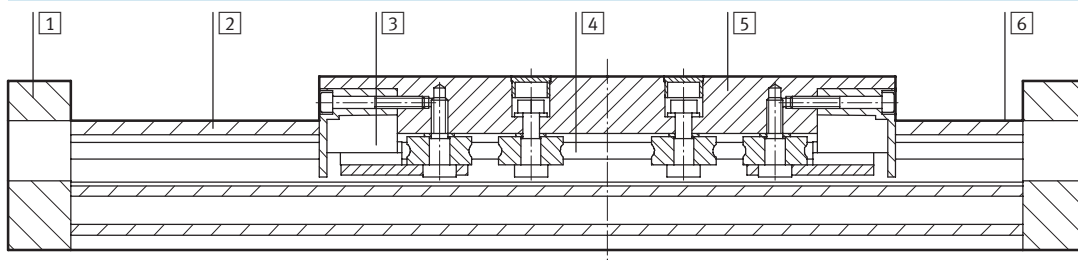
General technical data		25	40	63
Size		25	40	63
Design		Guide unit without drive		
Guide		Internal roller guide		
Assembly position		Any		
Max. working stroke ¹⁾	[mm]	1 ... 5000	1 ... 5000	1 ... 5000 ²⁾
Max. working load	[kg]	15	30	60
Thrust	[N]	5 ... 12	5 ... 35	5 ... 30
Max. speed	[m/s]	10		
Max. acceleration	[m/s ²]	50		
Ambient temperature	[°C]	0 ... +60		

- 1) Total stroke = working stroke + 2x stroke reserve
 2) The max. working stroke for the variant with extended slide (GV) is 4,800 mm.

Weights [kg]		25		40		63	
Slide design		GK	GV	GK	GV	GK	GV
Basic weight with 0 mm stroke		2.0	2.5	6.1	7.6	20.4	25.4
Additional weight per 100 mm stroke		0.29		0.59		1.38	
Moving load		0.5	0.8	1.8	2.5	4.6	6.4

Materials

Sectional view



Axis		
1	End cap	Anodised aluminium
2	Housing	Anodised aluminium
3	Cover cap	Polyamide
4	Guide rail	Steel
5	Slide	Anodised aluminium
6	Guide element	Steel
-	Note on materials	Free of copper, PTFE and silicone

Passive guide axes FDG-ZR-RF, without drive

Technical data

Stroke reserve

L9 The stroke reserve is a safety distance available on both sides of the axis in addition to the stroke.

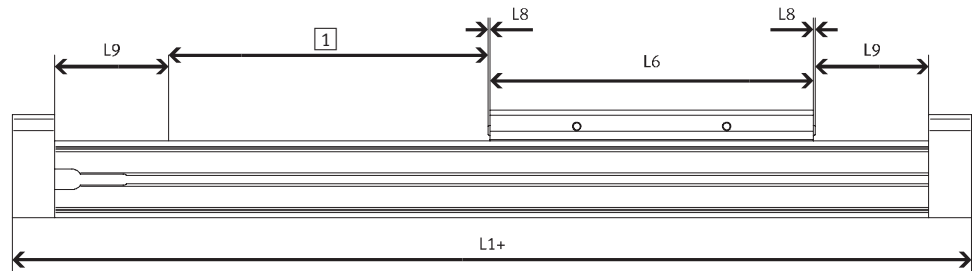
The indicated values only apply in combination with the toothed belt axis DGE-ZR-RF.

L6 Slide length

L8 Stop element

L1+ Overall length of axis

1 Working stroke



Example:

Type FDG-25-500-ZR-RF

Working stroke = 500 mm
 Stroke reserve = (2x 86 mm)
 = 172 mm
 Total stroke = 500 mm + 172 mm
 = 672 mm

Size	25	40	63
L9 per end position [mm]	86	136	244

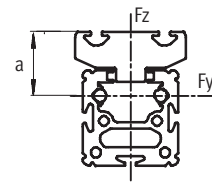
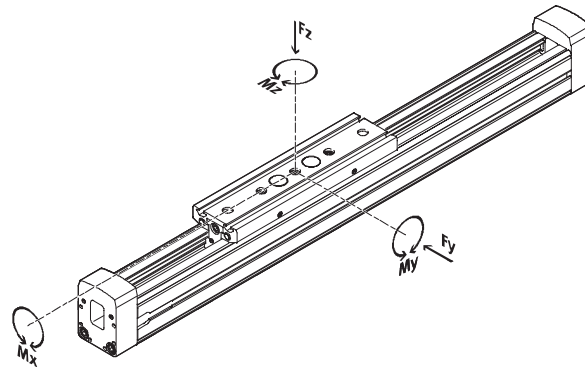
Passive guide axes FDG-ZR-RF, without drive

Technical data



Characteristic load values

The indicated forces and torques refer to the centre of the guide. They must not be exceeded in the dynamic range. Special attention must be paid to the cushioning phase.



Size	a in [mm]
25	30
40	37
63	44.6

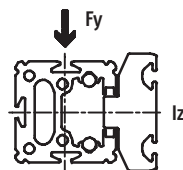
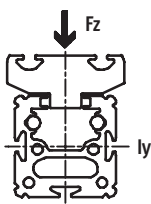
If the drive is subjected to more than two of the indicated forces and torques simultaneously, the following equations must be satisfied in addition to the indicated maximum loads:

$$\frac{F_y}{F_{y_{max}}} + \frac{F_z}{F_{z_{max}}} + \frac{M_x}{M_{x_{max}}} + \frac{M_y}{M_{y_{max}}} + \frac{M_z}{M_{z_{max}}} \leq 1$$

Permissible forces and torques

Size	25		40		63	
	GK	GV	GK	GV	GK	GV
F _y _{max.} [N]	150		300		600	
F _z _{max.} [N]	150		300		600	
M _x _{max.} [Nm]	7		18		65	
M _y _{max.} [Nm]	15	30	60	120	170	340
M _z _{max.} [Nm]	15	30	90	180	300	600

2nd moment of area



Size	25	40	63
I _y [mm ⁴]	5.947x10 ⁵	2.479x10 ⁶	1.664x10 ⁷
I _z [mm ⁴]	2.372x10 ⁵	9.463x10 ⁵	5.997x10 ⁶

Passive guide axes FDG-ZR-RF, without drive

Technical data

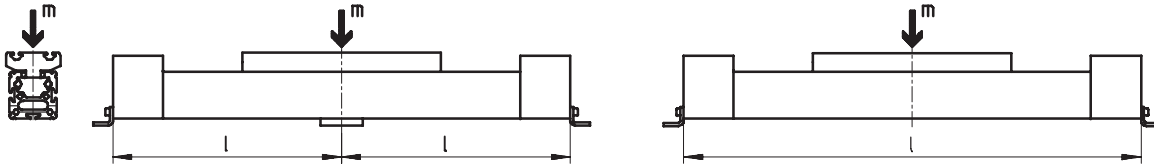
Maximum permissible support span l as a function of the applied load m

The axis may need to be supported with central supports MUP in order to limit deflection in the case of large strokes. The following diagrams serve

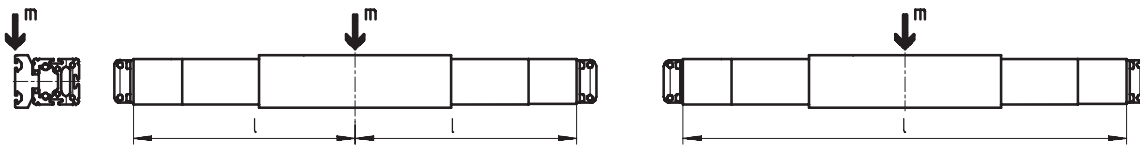
to determine the maximum permissible support span as a function of the applied load acting upon the axis.

A distinction is made here between forces acting upon the surface of the slide and forces acting upon the front of the slide.

1 Load on the surface of the slide

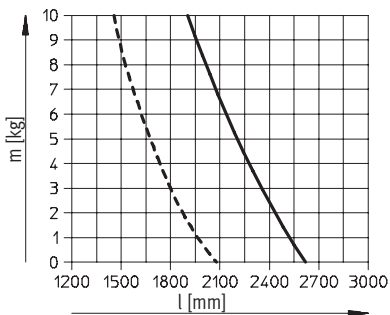


2 Load on the front of the slide

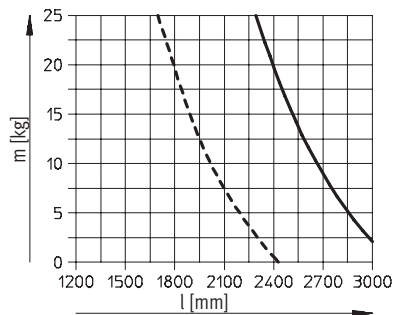


Maximum support span l (without central support) as a function of the applied load m

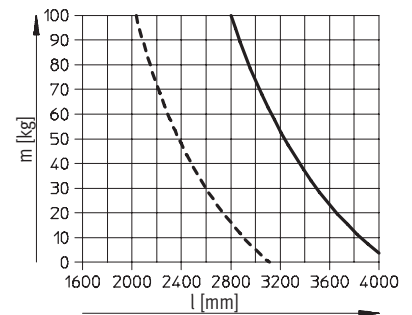
FDG-25



FDG-40



FDG-63



- 1
- - - 2

Passive guide axes FDG-ZR-RF, without drive

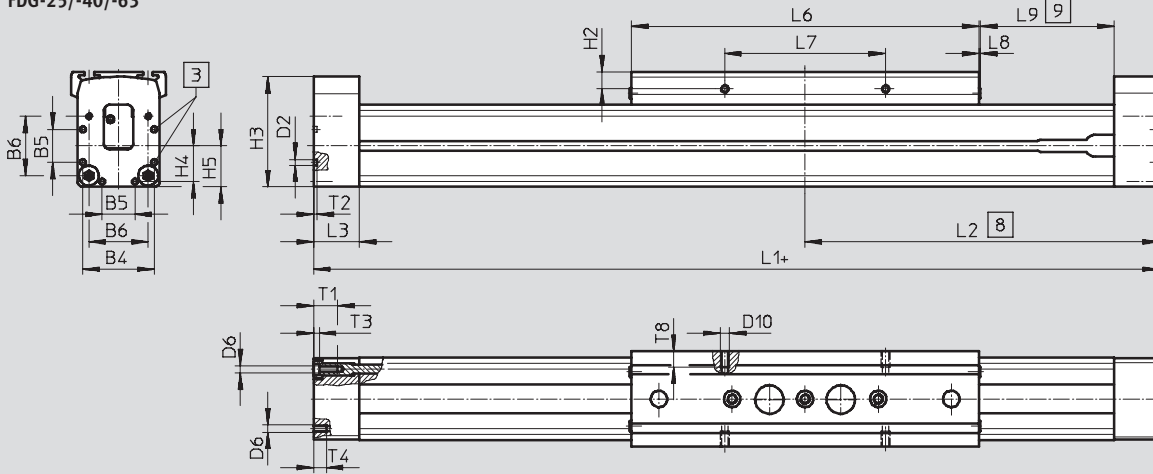
Technical data

FESTO

Dimensions

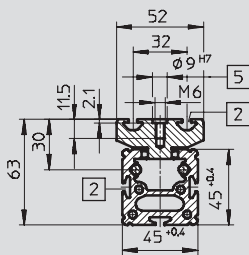
Download CAD data → www.festo.com

FDG-25/-40/-63



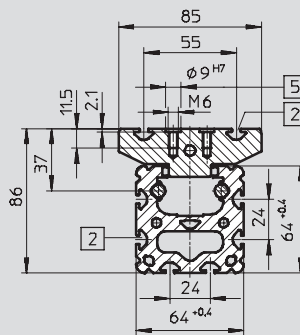
- 3 Centring hole for foot mounting
- 8 Driver in end position of the working stroke (including L9)
- 9 Recommended stroke reserve
+ = plus stroke length

FDG-25

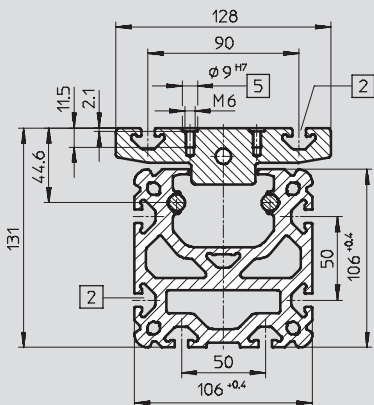


- 2 Slot for slot nuts
- 5 Hole for centring sleeve ZBH-9 and mounting thread

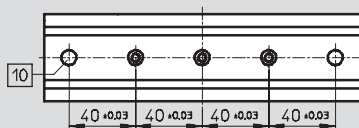
FDG-40



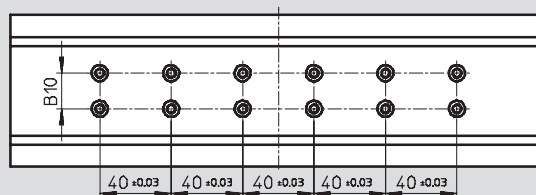
FDG-63



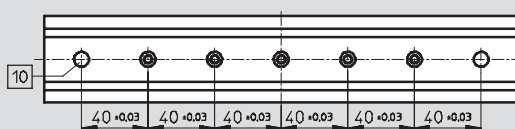
FDG-25-GK



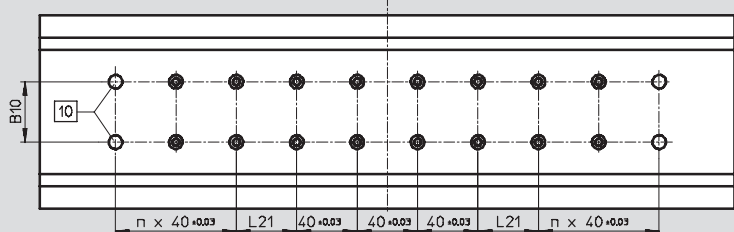
FDG-40-GK



FDG-25-GV



FDG-40-GV, FDG-63-GK

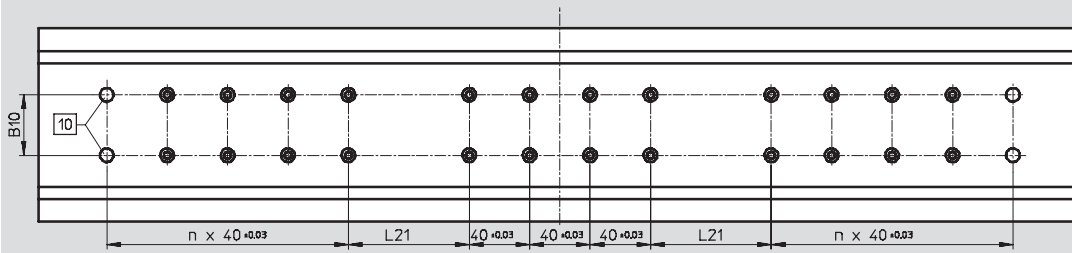


- 10 Hole for centring sleeve ZBH-9

Passive guide axes FDG-ZR-RF, without drive

Technical data

FDG-63-GV



Size		B4	B5	B6	B10 ±0.03	D2	D6	D10	H2	H3
25	GK	39.1	18	32.5	-	3.3 _{+0.1}	M4	M5	9.3	60.4
	GV									
40	GK	53	28	49	20	4.4 _{H13}	M5	M5	9.5	83.8
	GV									
63	GK	89	44	83	40	6.4 _{+0.1}	M8	M8	10.5	129.3
	GV									

Size		H4	H5	L1	L2	L3	L6	L7	L8
25	GK	19.6	22.5	414	207	25	190	88 _{±0.2}	1
	GV			509	254.5		285		
40	GK	26.5	32	638	319	31	300	58 _{±0.1}	2
	GV			778	389		440		
63	GK	44.5	52.8	1020	510	34	460	72 _{±0.1}	2
	GV			1250	625		690		

Size		L9	L21 ±0.03	n	T1	T2	T3	T4	T8
25	GK	86	-	-	13	2	3	8	8.5
	GV								
40	GK	136	40	-	13	3	5	12	8.5
	GV			2					
63	GK	244	40	2	21	4	6	-	12
	GV			80					

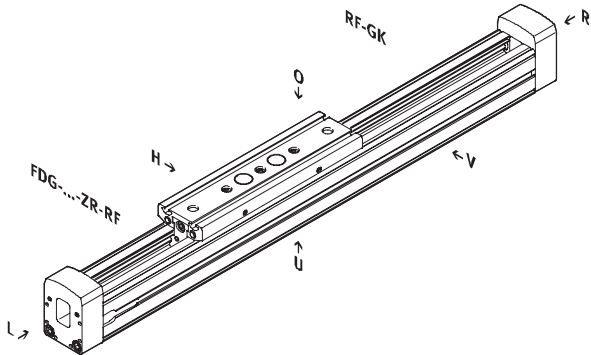
Passive guide axes FDG-ZR-RF, without drive

Ordering data – Modular products

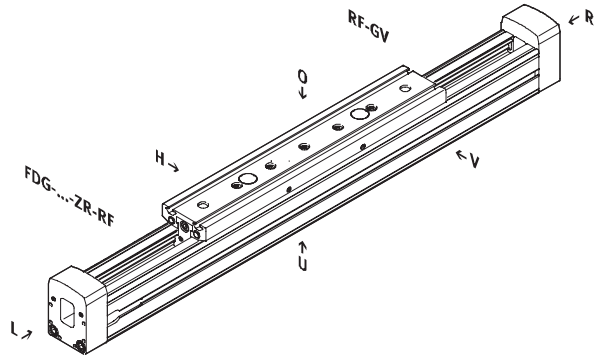
Ordering code

Mandatory data

GK Standard slide

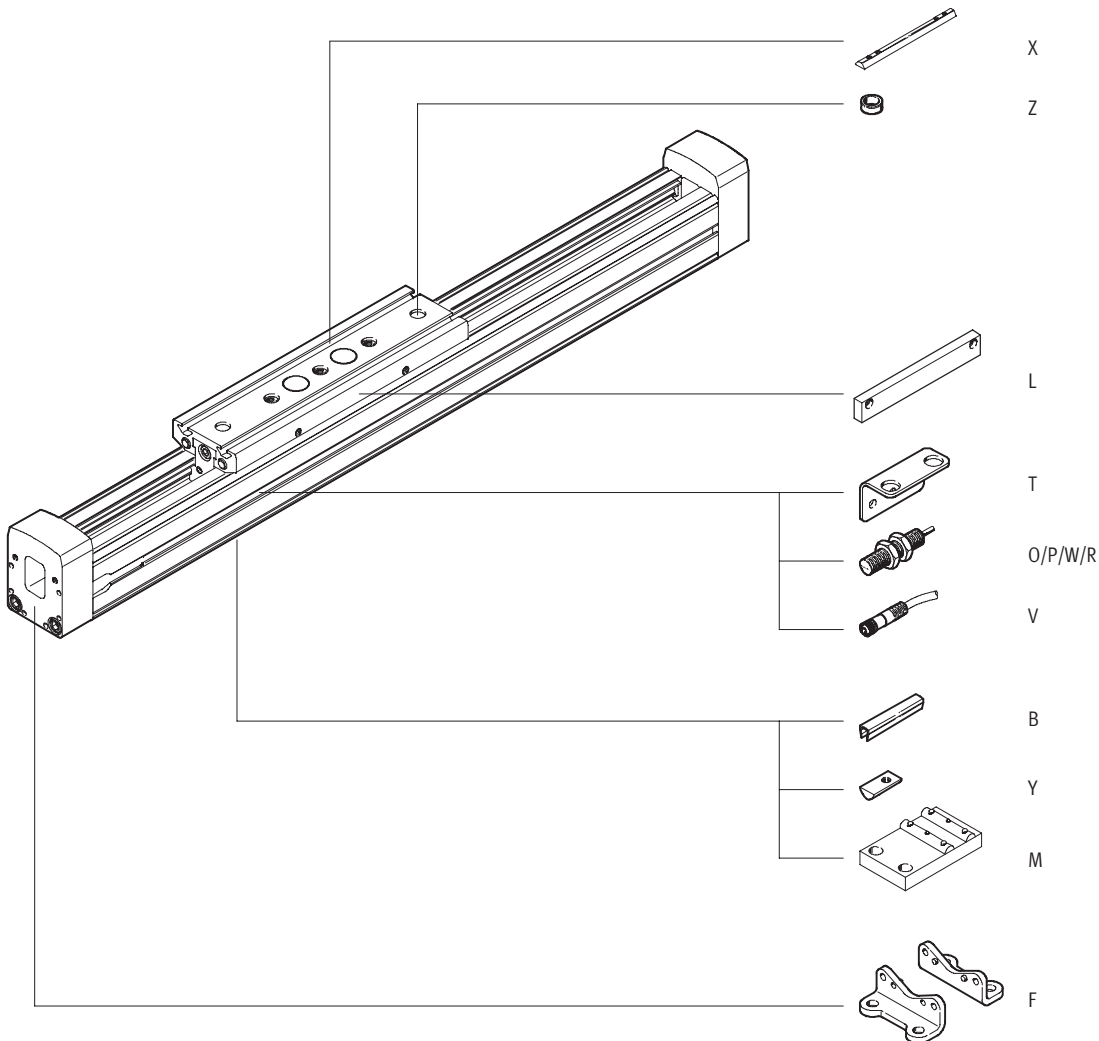


GV Extended slide



Ordering code

Options



Passive guide axes FDG-ZR-RF, without drive

Ordering data – Modular products

M Mandatory data							O Options	
Module No.	Function	Size	Stroke	Guide axis	Guide	Slide	Accessories	
538 791	FDG	25	1 ... 5 000	ZR	RF	GK	...B, ...Y, ...X, ...M, ...F, ...Z, ...V, ...T, L, ...O, ...P, ...W, ...R	
538 792		40				GV		
538 793		63						
Ordering example								
538 791	FDG	- 25	- 300	- ZR	- RF	- GK	- ZUB	- 2B

Ordering table							
Size	25	40	63	Condi- tions	Code	Enter code	
M Module No.	538 791	538 792	538 793				
Function	Guide axis without drive				FDG		FDG
Size	25	40	63		-...		
Stroke [mm]	1 ... 5 000				-...		
Guide axis	for DGE-ZR-RF				-ZR		-ZR
Guide	Roller guide				-RF		-RF
Slide	Standard slide				-GK		
	Extended slide			1	-GV		
O Accessories	Accessories supplied loose				-ZUB-		-ZUB-
Slot cover for mounting slot	1 ... 10				...B		
Slot nut	Mounting slot	1 ... 10			...Y		
	For slide	1 ... 10			...X		
Central support	1 ... 10				...M		
Foot mounting	1 ... 10				...F		
Centring sleeve (pack of 10)	10, 20, 30, 40, 50, 60, 70, 80, 90				...Z		
Cable with socket, M8, 2.5 m	1 ... 10				...V		
Mounting bracket for inductive proximity sensors	1 ... 5				...T		
Switching lug	1				L		
Inductive proximity sensor	NO contact, cable 2.5 m	1 ... 5			...O		
	NC cable, cable 2.5 m	1 ... 5			...P		
	NO contact, plug M8	1 ... 5			...W		
	NC contact, plug M8	1 ... 5			...R		

1 GV Maximum stroke Size 25: 4 905 mm
Size 40: 4 860 mm
Size 63: 4 770 mm

Passive guide axes FDG-ZR-RF, without drive

Accessories

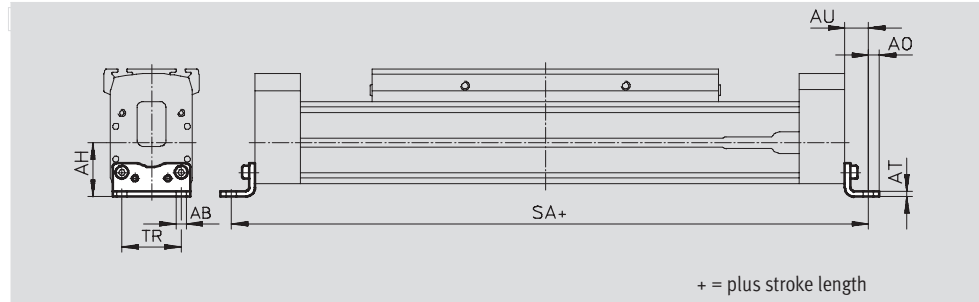


Foot mounting HP
(order code: F)

Material:
Galvanised steel
Free of copper, PTFE and silicone



HP-25



Dimensions and ordering data

for size	AB Ø	AH	AO	AT	AU
25	5.5	29.5	6	3	13
40	6.6	46	8.5	5	17.5
63	11	69	13.5	6	28

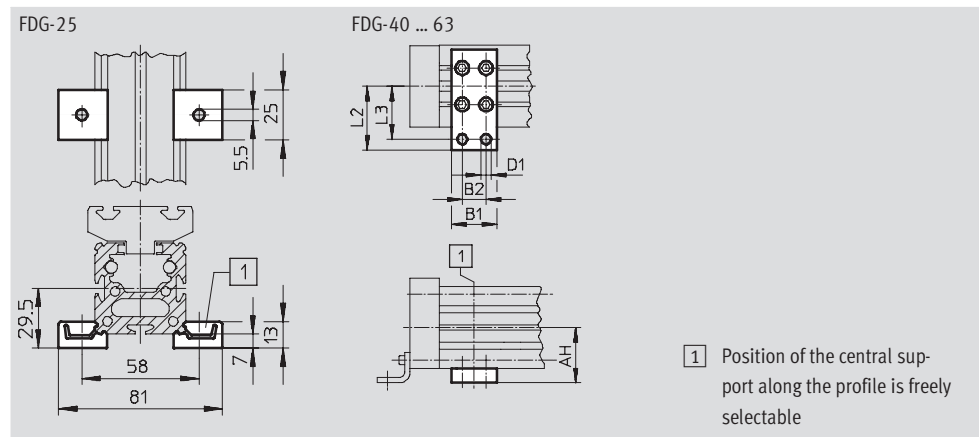
for size	SA		TR	Weight [g]	Part No.	Type
	GK	GV				
25	440	535	32.5	61	150 731	HP-25
40	673	813	45	188	150 733	HP-40
63	1076	1306	75	305	150 735	HP-63

Central support MUP
(order code: M)

Material:
Galvanised steel
Free of copper, PTFE and silicone



MUP-40




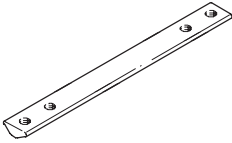

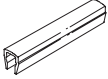
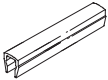
Dimensions and ordering data

for size	AH	B1	B2	D1 Ø	L2	L3	Weight [g]	Part No.	Type
25	-	-	-	-	-	-	33	150 736	MUP-18/25
40	46	35	22	6.6	47	40	126	150 738	MUP-40
63	69	50	26	11	77	65	340	150 800	MUP-63

Passive guide axes FDG-ZR-RF, without drive

Accessories

FESTO

Ordering data						
	for size	Remarks	Ordering code	Part No.	Type	PU ¹⁾
Slot nut NST Technical data → Internet: nst						
	25	For mounting slot/profile slot	Y	526 091	NST-HMV-M4	1
	40			150 914	NST-5-M5	1
	63			150 915	NST-8-M6	1
Slot nut NSTL Technical data → Internet: nstl						
	25	For slide	X	158 410	NSTL-25	1
	40			158 412	NSTL-40	1
	63			158 414	NSTL-63	1
Centring pin/sleeve ZBH Technical data → Internet: zbh						
	25, 40, 63	For slide	Z	150 927	ZBH-9	10
Slot cover ABP-S Technical data → Internet: abp						
	25	For mounting slot every 0.5 m	B	151 680	ABP-5-S	2
Slot cover ABP Technical data → Internet: abp						
	40	For mounting slot every 0.5 m	B	151 681	ABP-5	2
	63			151 682	ABP-8	

1) Packaging unit quantity

Passive guide axes FDG-ZR-RF, without drive

Accessories



Sensor bracket HWS

for inductive proximity sensors

(order code: T)

Material:

Galvanised steel



Switching lug SF

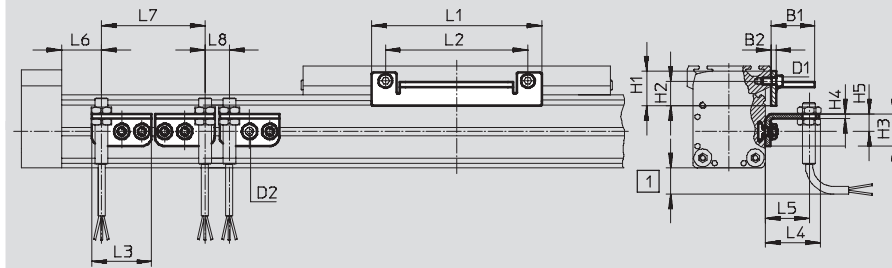
(order code: L)

Material:

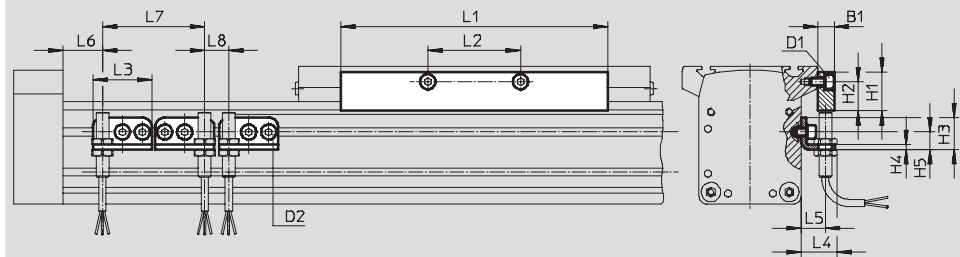
Galvanised steel



FDG-25



FDG-40 ... 63



1 Protruding sensor cable, ensure sufficient installation space


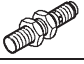
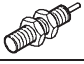

Dimensions and ordering data														
for size	D1	D2	B1	B2	H1	H2	H3	H4	H5	L1	L2	L3	L4	L5
25	M5	M5	27	3	20.5	15.3	20	3	11	105	88	37	34.5	27
40	M5	M5	10	-	24	18	20	3	11	167	58	37	22.5	15
63	M8	M5	10	-	35	25	20	3	11	230	72	37	22.5	15



for size	L6		L7	L8	Weight [g]	Part No.	Type
	GK	GV	min.	min.			
25	43.5	91	64	15	30	540 780	HWS-25-MAB-M8
					80	540 430	SF-25-MAB
40	68.5	138.5	64	15	40	188 969	HWS-40-M8
					310	188 966	SF-40
63	117	232	64	15	40	188 970	HWS-63-M8
					630	188 967	SF-63

Passive guide axes FDG-ZR-RF, without drive

Accessories

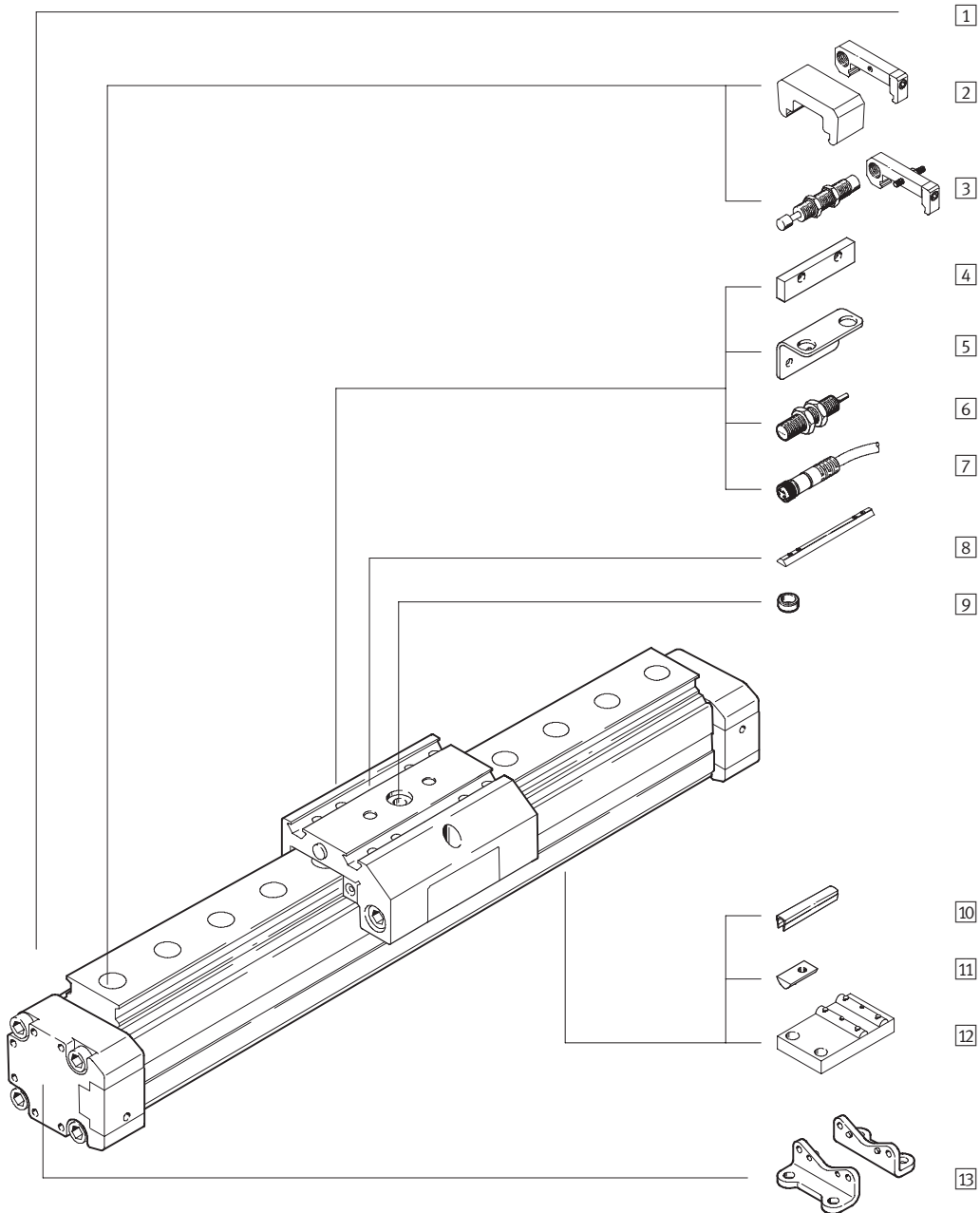
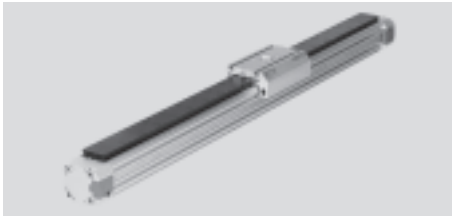
FESTO

Ordering data – Inductive proximity sensors M8						Technical data → Internet: sien	
	Electrical connection		Switch output	LED	Cable length [m]	Part No.	Type
	Cable	Plug M8					
NO contact							
	3-core	–	PNP	■	2.5	150 386	SIEN-M8B-PS-K-L
	–	3-pin	PNP	■		150 387	SIEN-M8B-PS-S-L
NC contact							
	3-core	–	PNP	■	2.5	150 390	SIEN-M8B-PO-K-L
	–	3-pin	PNP	■		150 391	SIEN-M8B-PO-S-L

Ordering data – Connecting cables					Technical data → Internet: nebu	
	Electrical connection, left	Electrical connection, right	Cable length [m]	Part No.	Type	
	Straight socket, M8x1, 3-pin	Cable, open end, 3-wire	2.5	541 333	NEBU-M8G3-K-2.5-LE3	
			5	541 334	NEBU-M8G3-K-5-LE3	
	Angled socket, M8x1, 3-pin	Cable, open end, 3-wire	2.5	541 338	NEBU-M8W3-K-2.5-LE3	
			5	541 341	NEBU-M8W3-K-5-LE3	

Passive guide axes FDG, without drive

Peripherals overview



Passive guide axes FDG, without drive

Peripherals overview

Variants and accessories		
Type	Brief description	→ Page/Internet
1 Passive guide axis FDG	Guide without drive	46
2 Emergency buffer with retainer A	Absorbs the energy created by the movement of the slide when it reaches the end position	62
3 Shock absorber kits C/E	Absorbs the energy created by the movement of the slide when it reaches the end position	61
4 Switching lug L	For sensing the slide position	63
5 Sensor bracket T	Adapter for mounting the SIEN proximity sensor on the axis	63
6 Proximity sensors O/P/R/W	For providing a proximity signal or safety check	65
7 Cable with socket V	For proximity sensor	65
8 Slot nut for slide X	For mounting loads and attachments on the slide	64
9 Centring sleeve Z	For centring loads and attachments on the slide	64
10 Slot cover B/S	To protect against the ingress of dirt	64
11 Slot nut for mounting slot Y	For mounting attachments	64
12 Central support M	To mount the axis	60
13 Foot mounting F	To mount the axis	60

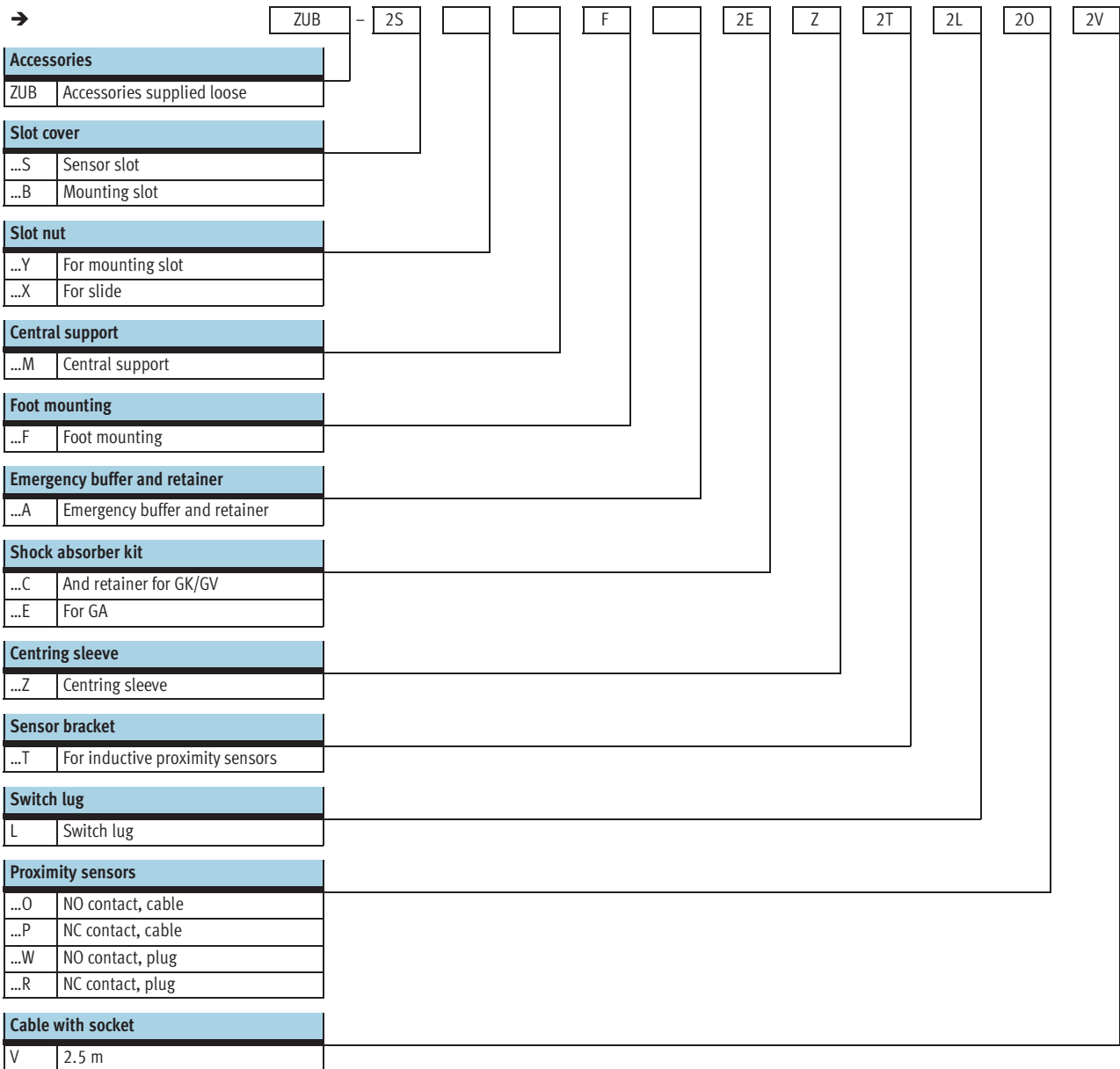
Passive guide axes FDG, without drive

Type codes

		FDG	-	25	-	500	-	ZR	-	KF	-	GK	-	
Type														
FDG	Guide unit without drive													
Size														
Stroke [mm]														
Passive guide axis														
ZR	For toothed belt axis DGE-ZR-KF													
SP	For spindle drive DGE-SP-KF													
P	For pneumatic linear drive DGPL													
Guide														
KF	Recirculating ball bearing guide													
Slide														
GK	Standard slide													
GV	Extended slide													
GA	Protected version													
Additional slide														
KL	Left													
KR	Right													

Passive guide axes FDG, without drive



Type codes



Passive guide axes FDG, without drive

Technical data

FESTO

-  Size
18 ... 63
-  Stroke length
100 ... 5,100 mm

 www.festo.com



General technical data			18	25	32	40	50	63
Size			18	25	32	40	50	63
Max. stroke	FDG-ZR	[mm]	1 ... 1,000	1 ... 5,100	–	1 ... 4,900	–	1 ... 4,700
	FDG-SP	[mm]	1 ... 500	1 ... 1,000	–	1 ... 1,500	–	1 ... 2,000
	FDG-P	[mm]	10 ... 1,800	10 ... 3,000	10 ... 3,000	10 ... 3,000	10 ... 3,000	10 ... 3,000
Design	Driveless linear guide unit with slide							
Guide	External recirculating ball bearing guide							
Fitting position	Any							
Cushioning	Not adjustable at either end							
	Self-adjusting at both ends							
Type of mounting	Profile mounting							
	Foot mounting							
	Direct mounting							
Increase in no-load drive torque	for DGE-...-ZR by	[Nm]	0.005	0.02	–	0.03	–	0.085
	for DGE-SP by	[Nm]	0.04	0.1	–	0.15	–	0.45
Thrust ¹⁾		[N]	5	10	7	9	12	16
Ambient temperature		[°C]	–10 ... +60					

1) Measured at FDG-18 = 0.05 m/s; FDG-25... 63 = 0.2m/s

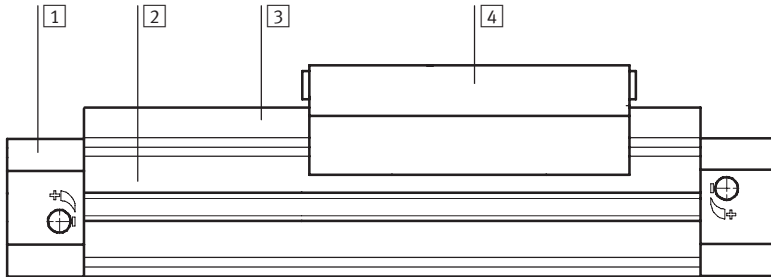
Weights [kg]			18	25	32	40	50	63
FDG-ZR								
Basic weight at 0 mm stroke	GK		0.879	2.022	–	6.055	–	21.493
	GV		1.341	2.927	–	7.939	–	31.464
	GA		–	2.931	–	8.128	–	–
Additional weight per 100 mm stroke	GK		0.274	0.479	–	0.968	–	2.423
	GV		0.274	0.479	–	0.968	–	2.423
	GA		–	0.570	–	1.092	–	–
FDG-SP								
Basic weight at 0 mm stroke	GK		0.743	1.482	–	4.296	–	13.454
	GV		1.232	2.530	–	7.678	–	25.847
	GA		–	2.459	–	6.798	–	–
Additional weight per 100 mm stroke	GK		0.274	0.479	–	0.968	–	2.423
	GV		0.274	0.479	–	0.968	–	2.423
	GA		–	0.570	–	1.092	–	–
FDG-P								
Basic weight at 0 mm stroke	GK		0.685	1.416	2.449	4.160	8.445	13.328
	GV		1.147	2.321	3.784	6.961	13.491	23.3
	GA		–	2.211	3.282	5.989	–	–
Additional weight per 100 mm stroke	GK		0.274	0.479	0.705	0.968	1.8	2.423
	GV		0.274	0.479	0.705	0.968	1.8	2.423
	GA		–	0.570	0.808	1.092	–	–

Passive guide axes FDG, without drive

Technical data

Materials

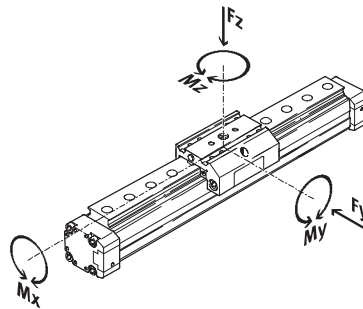
Sectional view



Axis		
1	End cap	Anodised aluminium
2	Profile	Anodised aluminium
3	Guide rail	∅ 18
		∅ 25 ... 63
4	Slide	Anodised aluminium
Note on material		Free of copper, PTFE and silicone

Characteristic load values

The forces and torques specified refer to the centre of the guide rails. They must not be exceeded during dynamic operation. Special attention must be paid to the cushioning phase.



If the axis is simultaneously subjected to several of the forces and torques listed below, the following equations must be satisfied in addition to the indicated maximum loads.

$$\frac{F_y}{F_{y_{max}}} + \frac{F_z}{F_{z_{max}}} + \frac{M_x}{M_{x_{max}}} + \frac{M_y}{M_{y_{max}}} + \frac{M_z}{M_{z_{max}}} \leq 1$$

Permissible forces and torques							
Size		18	25	32	40	50	63
GK/GA – standard slide/protected slide							
F _y _{max.}	[N]	930	3,080	3,080	7,300	7,300	14,050
F _z _{max.}	[N]	930	3,080	3,080	7,300	7,300	14,050
M _x _{max.}	[Nm]	7	45	63	170	240	580
M _y _{max.}	[Nm]	23	85	127	330	460	910
M _z _{max.}	[Nm]	23	85	127	330	460	910
GV – extended slide							
F _y _{max.}	[N]	930	3,080	3,080	7,300	7,300	14,050
F _z _{max.}	[N]	930	3,080	3,080	7,300	7,300	14,050
M _x _{max.}	[Nm]	7	45	63	170	240	580
M _y _{max.}	[Nm]	45	170	250	660	920	1,820
M _z _{max.}	[Nm]	45	170	250	660	920	1,820

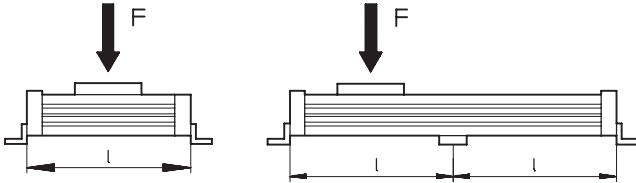
Passive guide axes FDG, without drive

Technical data

Maximum permissible support span l as a function of the force F

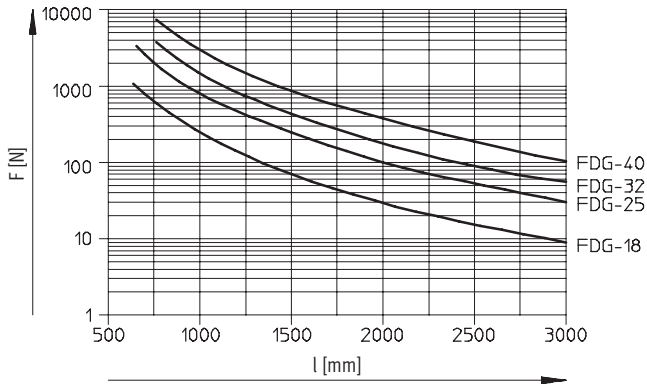
The axis may need to be supported with central supports MUP in order to limit deflection in the case of large strokes. The following diagrams serve to determine the maximum permissible support span l as a function of the force F .

Force on the surface of the slide

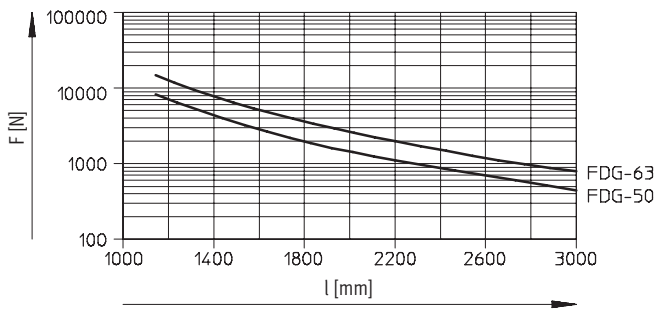


Maximum permissible support span l (without central support) as a function of the force F

Size 18...40



Size 50...63



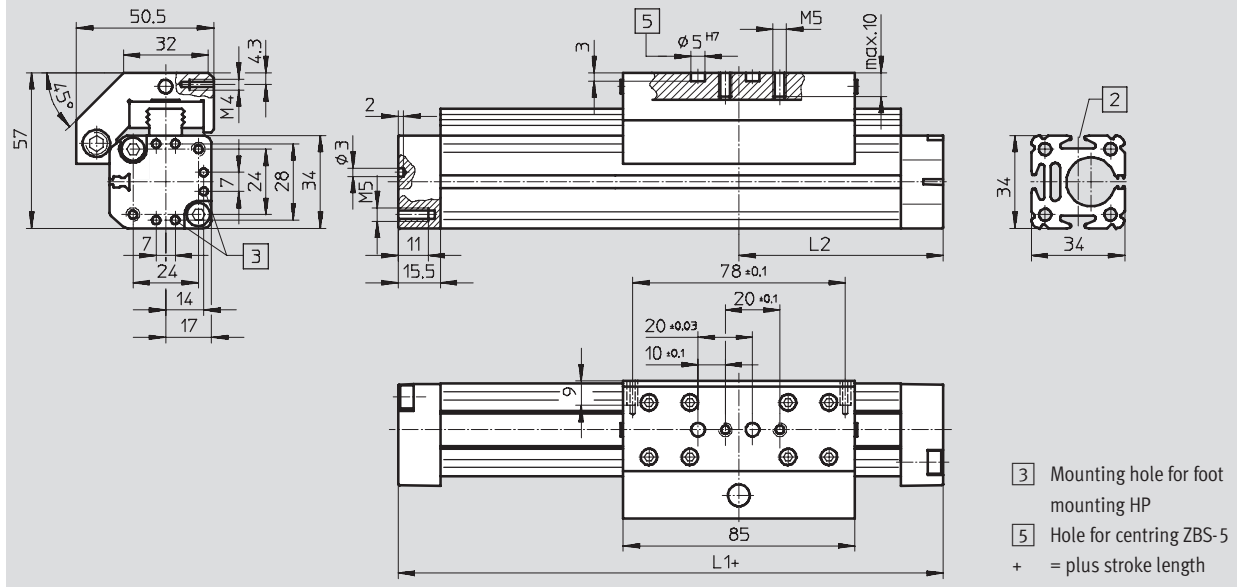
Passive guide axes FDG, without drive

Technical data

Dimensions Download CAD data → www.festo.com

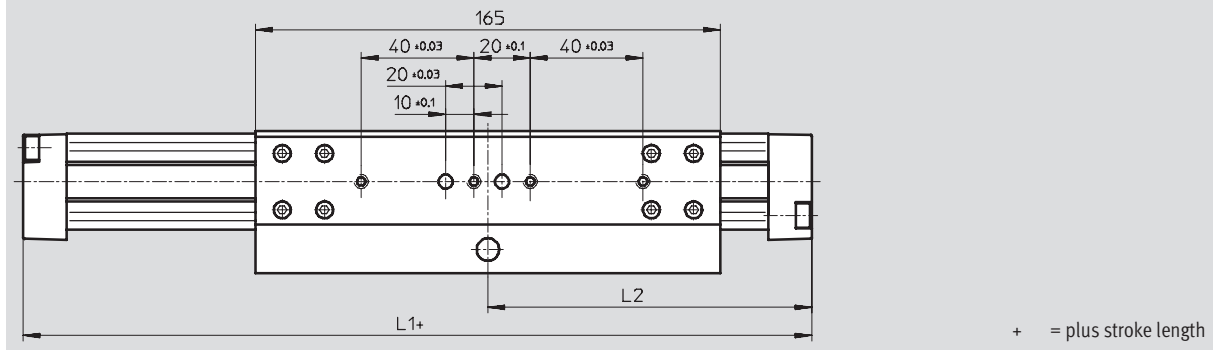
Standard slide GK

Size 18-...



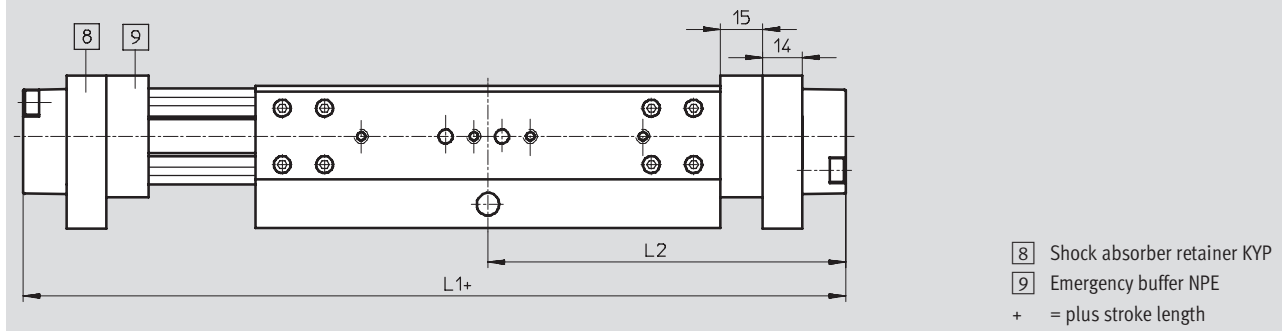
Extended slide GV

Size 18-P-GV



Extended slide GV

Size 18-ZR-/SP



Size	L1		L2	
	GK	GV	GK	GV
FDG-18-...-P-...	150	230	75	115
FDG-18-...-ZR-...	221	301	110.5	150.5
FDG-18-...-SP-...	171	261	92	132

Passive guide axes FDG, without drive

Technical data

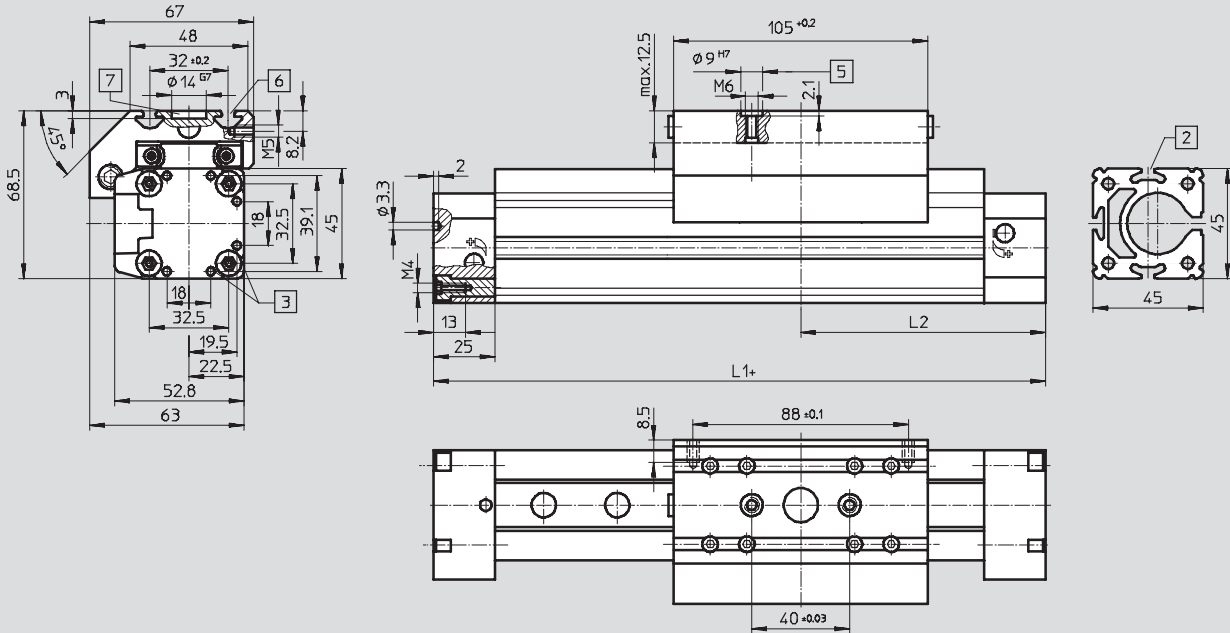
FESTO

Dimensions

Download CAD data → www.festo.com

Standard slide GK

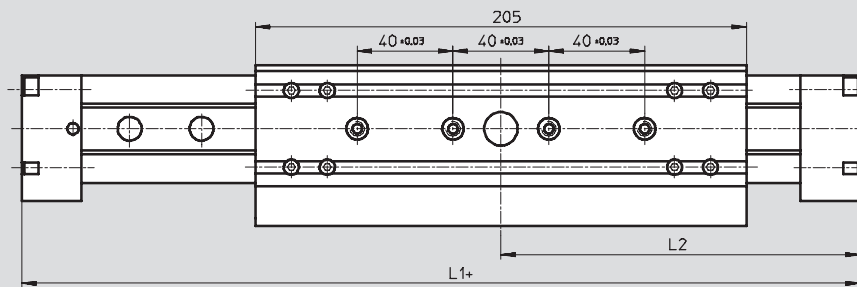
Size 25-...



- 3 Mounting hole for foot mounting HP
- 5 Hole for centring sleeve ZBH-9
- 6 Mounting slot for slot nut NSTL + = plus stroke length
- 7 Drilled hole for central mounting SLZZ

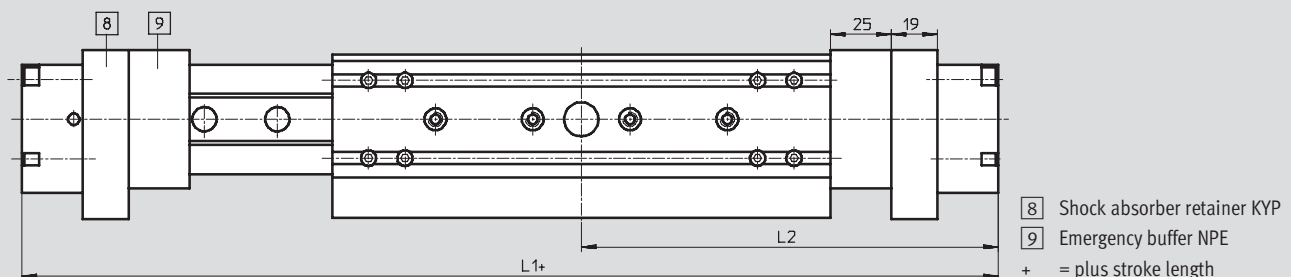
Extended slide GV

Size 25-P



Extended slide GV

Size 25-ZR/-SP



- 8 Shock absorber retainer KYP
- 9 Emergency buffer NPE
- + = plus stroke length

Passive guide axes FDG, without drive

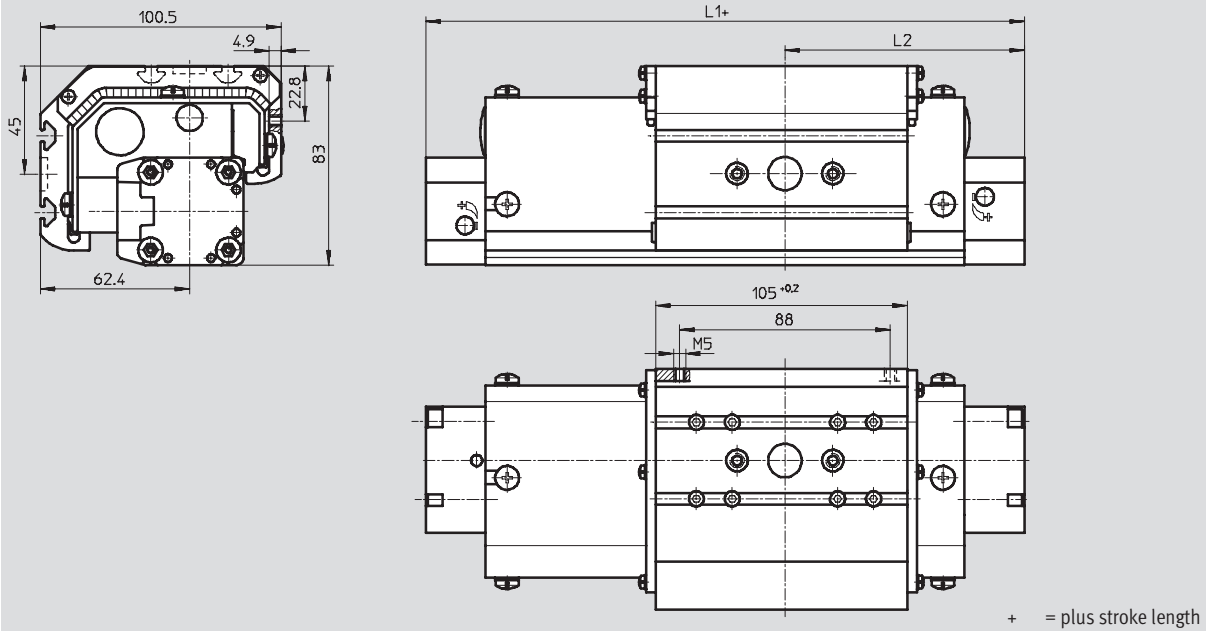
Technical data

Dimensions

Download CAD data → www.festo.com

Protected version GA

Size 25-...GA



Size	L1			L2		
	GK	GV	GA	GK	GV	GA
FDG-25-...-P-...	200	300	200	100	150	100
FDG-25-...-ZR-...	326	426	326	163	213	163
FDG-25-...-SP-...	213	343	243	101.5	171.5	121.5

Passive guide axes FDG, without drive

Technical data

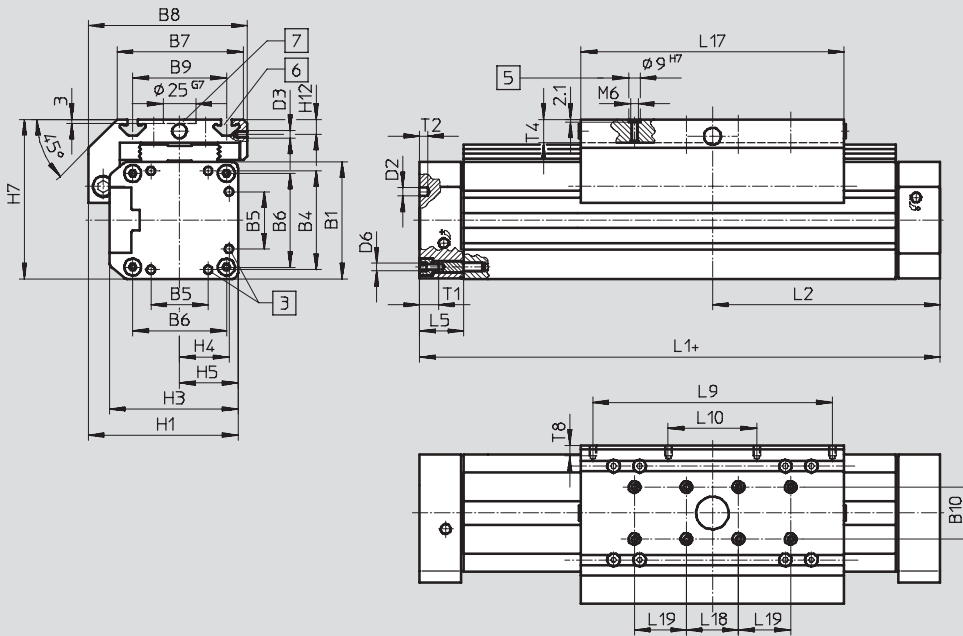
FESTO

Dimensions

Download CAD data → www.festo.com

Standard slide GK

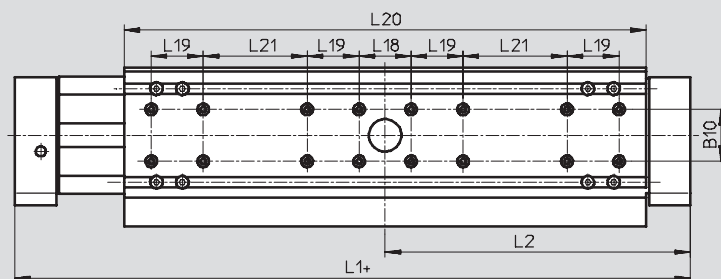
Size 32...63-...



- 3 Mounting hole for foot mounting HP
- 5 Hole for centring sleeve ZBH-9
- 6 Mounting slot for slot nut NSTL
- 7 Drilled hole for central mounting SLZZ
- + = plus stroke length

Extended slide GV

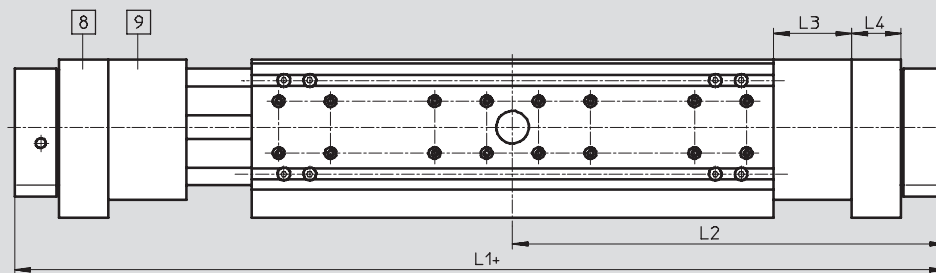
Size 32...63-P



- + = plus stroke length

Extended slide GV

Size 40/63-ZR/-SP



- 8 Shock absorber retainer KYP
- 9 Emergency buffer NPE
- + = plus stroke length

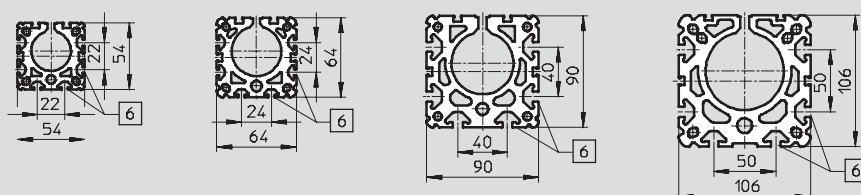
Profile barrel

Size 32

Size 40

Size 50

Size 63



- 6 Mounting slot for slot nut NST

Passive guide axes FDG, without drive

Technical data

FESTO

Dimensions Download CAD data → www.festo.com

Dust-proof version
Size 32/40-...GA

+ = plus stroke length

Size	L1			L2		
	GK	GV	GA	GK	GV	GA
FDG-32-...-P-...-	250	380	250	125	190	125
FDG-40-...-P-...-	300	470	300	150	235	150
FDG-50-...-P-...-	350	550	-	175	275	-
FDG-63-...-P-...-	400	650	-	200	325	-
FDG-40-...-ZR-...-	497	667	497	248.5	333.5	248.5
FDG-63-...-ZR-...-	738	988	-	369	494	-
FDG-40-...-SP-...-	315	545	375	153	271.5	186.5
FDG-63-...-SP-...-	406	756	-	198	378	-

Size	B1	B2	B3	B4	B5	B6	B7	B8	B9	B10	D2 ∅	D3
									±0.2			
32	54	112.1	-	46	21	40	63	79	47	20	4.3	M5
40	64	137.6	7	53	28	49	78.5	96.5	55	20	4.3	M5
50	90	-	-	76	44	72	97	122	72	40	6.3	M6
63	106	-	-	89	44	83	121	142	90	40	6.3	M8

Size	D6	H1	H2	H3	H4	H5	H7	H8	H9	H10	H11	H12	L3
32	M5	72	66	62	23	27	77.5	93.1	49.5	64.5	-	8.3	-
40	M5	86	78	71.8	26.5	32	90.5	106.6	54	79.6	23.1	7	40
50	M6	115	106	99	36	45	122.5	-	-	-	-	11.5	-
63	M8	131	122	115	44.5	53	144.5	-	-	-	39.5	12.5	63

Size	L4	L5	L9	L10	L17	L18	L19	L20	L21	T1	T2	T4	T8
			±0.1	±0.1	±0.2	±0.03	±0.03		±0.1				
32	-	31	112	-	131	40	-	261	40	13.2	3	12.5	8.5
40	32	31	150	58	167	40	40	337	40	13.2	4	12.5	8.5
50	-	34	184	68	202	40	40	402	80	15.2	6	18.5	8
63	44	34	200	72	230	40	40	480	120	21.2	6	20.5	10.5

Passive guide axes FDG, without drive

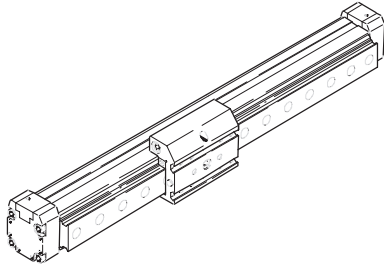
Ordering data – Modular product system



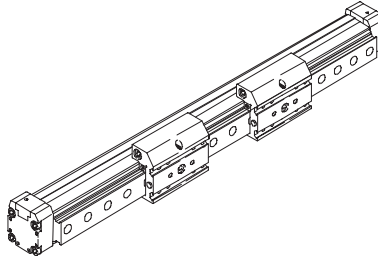
Order code

Mandatory data/Options

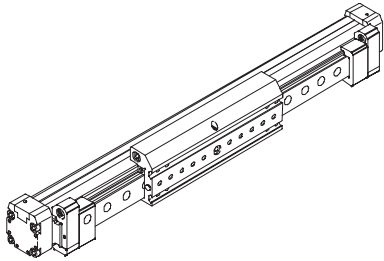
Standard slide GK



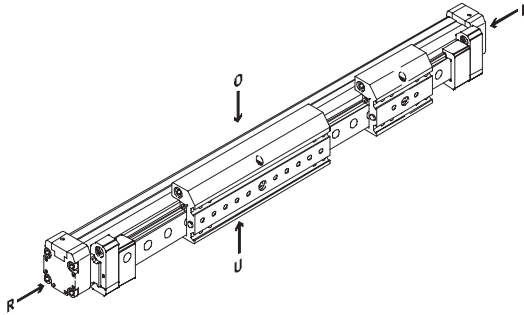
Standard slide plus additional slide GK-KL/-KR



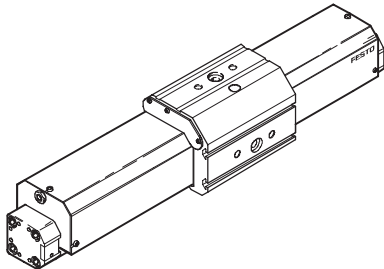
Extended slide GV



Extended slide plus additional slide GK-KL/-KR



Dust-proof version GA



-  - Note

O = top

R = right

U = underneath

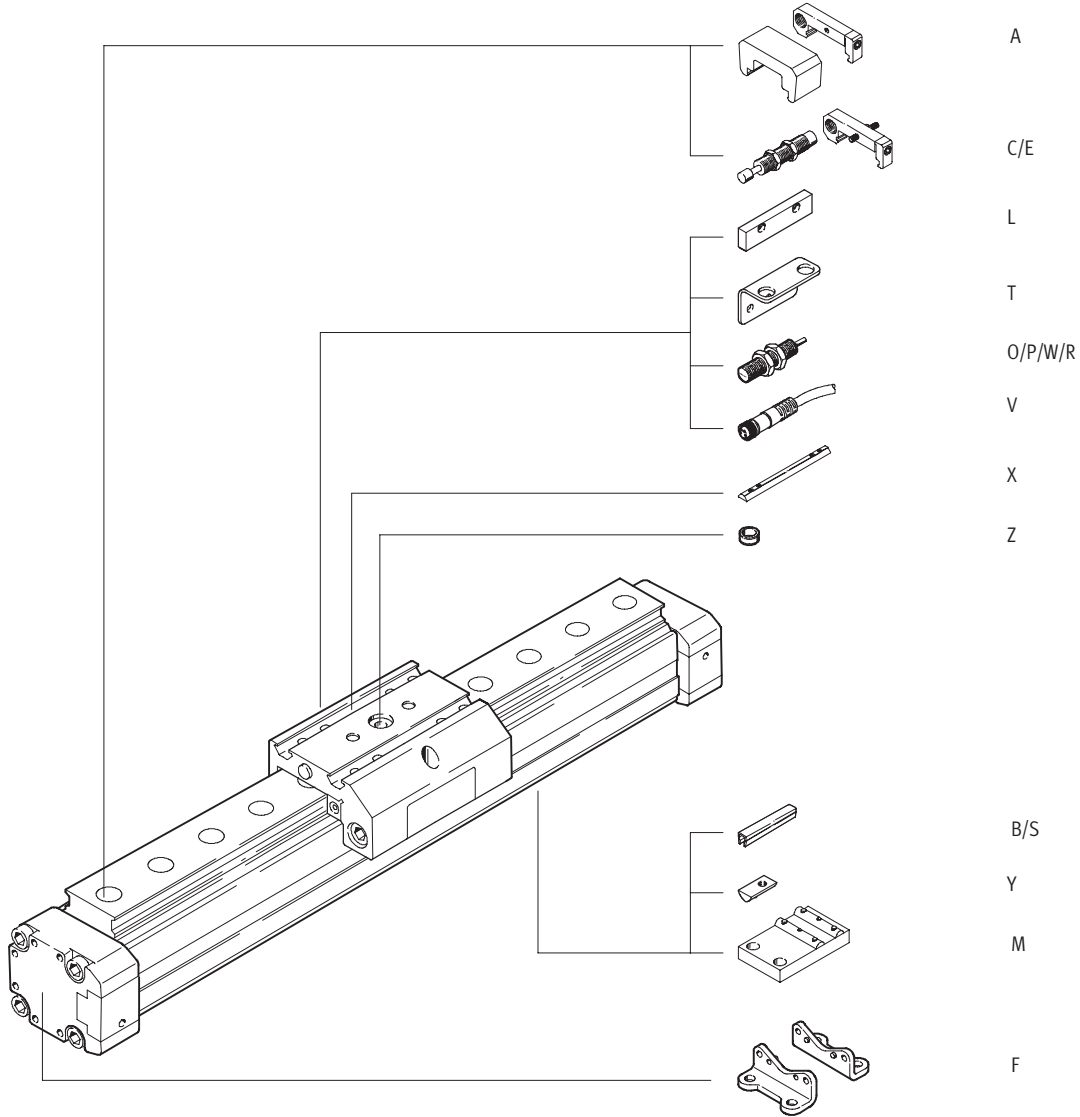
L = left

Passive guide axes FDG, without drive

Ordering data – Modular product system

Order code

Options



Passive guide axes FDG, without drive

Ordering data – Modular product system



M Mandatory data							O Options →
Module No.	Drive function	Size	Stroke	Passive guide axis	Guide	Slide	Additional slide
192 850	FDG	18	1 ... 5 100	ZR SP P	KF	GK GV GA	KL KR
192 851		25					
192 852		32					
192 853		40					
192 854		50					
192 855		63					
Ordering example							
192 853	FDG	- 40	- 500	- ZR	- KF	- GK	-

Ordering table										
Size	18	25	32	40	50	63	Condi- tions	Code	Enter code	
M Module No.	192 850	192 851	192 852	192 853	192 854	192 855				
Drive function	Guide unit without drive								FDG	FDG
Size	18	25	32	40	50	63		-...		
Stroke [mm] with ZR (as for corresponding drive axis)	with ZR	1 ... 1 000	1 ... 5 100	-	1 ... 4 900	-	1 ... 4 700	-...		
	with SP	1 ... 500	1 ... 1 000	-	1 ... 1 500	-	1 ... 2 000			
	with P	10 ... 1 800	10 ... 3 000	10 ... 3 000	10 ... 3 000	10 ... 3 000	10 ... 3 000			
Passive guide axis	for	DGE-ZR	DGE-ZR	-	DGE-ZR	-	DGE-ZR	-ZR		
	for	DGE-SP	DGE-SP	-	DGE-SP	-	DGE-SP	-SP		
	for	DGP	DGP	DGP	DGP	DGP	DGP	-P		
Guide	Recirculating ball bearing guide								-KF	-KF
Slide	Standard								-GK	
	Extended								-GV	
	Maximum stroke [mm]									
	with ZR	(920)	(5 000)	-	(4 730)	-	(4 450)			
	with SP	(410)	(870)	-	(1 270)	-	(1 650)			
	Protected version							1	-GA	
	Maximum stroke [mm]									
	with ZR	-	(1 800)	-	(1 800)	-	-			
with SP	-	(970)	-	(1 440)	-	-				
with P	-	(2 000)	(2 000)	(2 000)	-	-				
O Additional slide	Standard slide left							2	-KL	
	Standard slide right							2	-KR	

1 GA Not with accessories T, L, O, P, W, R.

2 KL, KR Only with slide GK or GV.

Transfer order code

Passive guide axes FDG, without drive

Ordering data – Modular product system

Options											
Accessories	Slot cover	Slot nut	Central support	Foot mounting	Emergency buffer and retainer	Shock absorber	Centring sleeve	Sensor bracket	Switching lug	Proximity sensors	Plug socket
ZUB	...S ...B	...Y ...X	...M	...F	...A	...C ...E	...Z	...T	L	...O ...P ...W ...R	...V
ZUB	SB	4Y2X		F		2C	10Z			20	

Ordering table											
Size		18	25	32	40	50	63	Condi- tions	Code	Enter code	
↓	Accessories	Supplied separately								ZUB-	ZUB-
0	Slot cover	Sensor slot		1 ... 10					...S		
		Mounting slot		-	-	1 ... 10			...B		
	Slot nut	for mounting slot		1 ... 10					...Y		
		for slide		-	1 ... 10				...X		
	Central support	1 ... 10								...M	
	Foot mounting (kit)	1 ... 10								...F	
	Emergency buffer and retainer	1 ... 2	1 ... 2	-	1 ... 2	-	1 ... 2	[3]	...A		
		Effective stroke reduction [mm] with emergency buffer at both ends (10) (30) - (60) - (100)									
	Shock absorber and retainer	1 ... 2							[4]	...C	
		for dust-proof version		-	1 ... 2		-	-	[5]	...E	
	Centring sleeve (pack of 10)	10, 20, 30, 40, 50, 60, 70, 80, 90								...Z	
	Sensor bracket	1 ... 5		-	1 ... 5	-	1 ... 5		...T		
	Switching lug	1								L	
	Inductive proximity sensor	NO contact, cable		1 ... 5			-	1 ... 5		...O	
		NC contact, cable		1 ... 5			-	1 ... 5		...P	
		NO contact, plug		1 ... 5			-	1 ... 5		...W	
		NC contact, plug		1 ... 5			-	1 ... 5		...R	
	Cable with socket, 2.5 m	1 ... 5		-			1 ... 5		...V		

- [3] A Not with passive guide axis P.
Mounted as standard for slides GV, GA.
- [4] C Only with slides GK and GV.

- [5] E Only with slide GA

Transfer order code

ZUB -

Passive guide axes FDG, without drive

Accessories



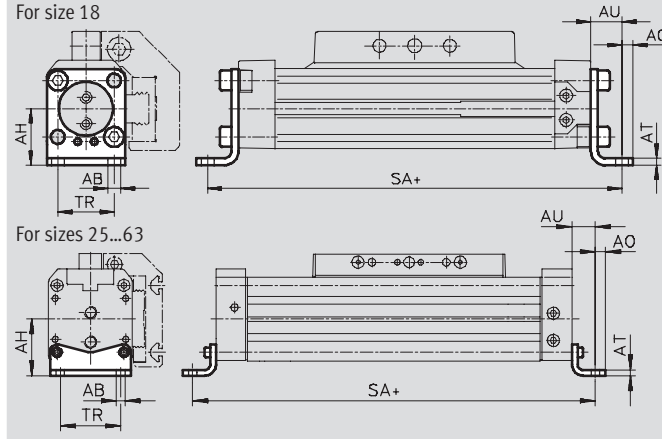
Foot mounting HP (Order code: F)

Material:
Galvanised steel

Free of copper, PTFE and silicone



HP-25



+ = plus stroke length

Dimensions and ordering data											
For size	AB ∅	AH	AO	AT	AU	SA	TR	Weight [g]	Part No.	Type	
18	5.5	24	4.8	3	13.2	176	24	70	158 472	HP-18	
25	5.5	29.5	6	3	13	226	32.5	61	150 731	HP-25	
32	6.6	37	7	4	17	284	38	117	150 732	HP-32	
40	6.6	46	8.5	5	17.5	335	45	188	150 733	HP-40	
50	9	61	11	6	25	400	65	243	150 734	HP-50	
63	11	69	13.5	6	28	456	75	305	150 735	HP-63	

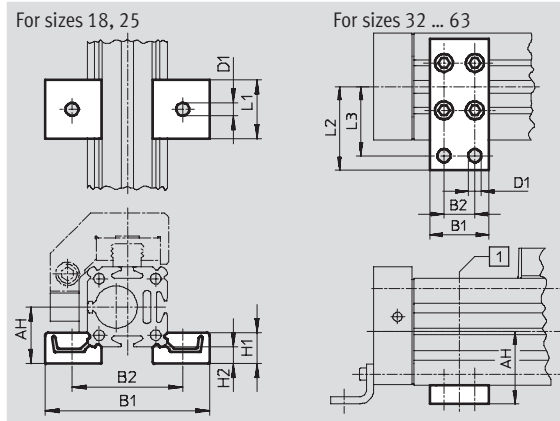
Central support MUP (Order code: M)

Material:
Galvanised steel

Free of copper, PTFE and silicone



MUP-40



1 Position of the central support along the profile barrel is freely selectable

Dimensions and ordering data												
For size	AH	B1	B2	D1 ∅	H1	H2	L1	L2	L3	Weight [g]	Part No.	Type
18	24	70.5	47	5.5	13	7	25	-	-	33	150 736	MUP-18/25
25	29.5	81	58	5.5	13	7	25	-	-	33	150 736	MUP-18/25
32	37	35	22	6.6	-	-	-	41.5	35	89	150 737	MUP-32
40	46	35	22	6.6	-	-	-	47	40	126	150 738	MUP-40
50	61	50	26	11	-	-	-	70	58	241	150 739	MUP-50
63	69	50	26	11	-	-	-	77	65	340	150 800	MUP-63

Passive guide axes FDG, without drive

Accessories


Shock absorber YSR-...-C

(Order code: C)

Material:

Housing: Galvanised steel; piston rod: high-alloy steel,
Seals: Perbunan, polyurethane
Free of copper, PTFE and silicone



 Note

Shock absorber YSRW with progressive characteristic
→ Internet: ysrw

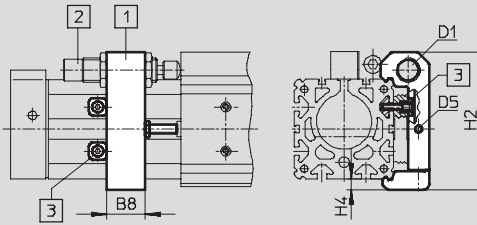
Ordering data		Part No.	Type
For size	Weight [g]		
18	30	34 571	YSR-8-8-C
25	70	34 572	YSR-12-12-C
32	70	34 572	YSR-12-12-C
40	140	34 573	YSR-16-20-C
50	140	34 573	YSR-16-20-C
63	240	34 574	YSR-20-25-C

Shock absorber retainer KYP

(Order code: C)

Material:

Retainer: Aluminium
Sleeve: Steel, corrosion resistant

1 Shock absorber retainer KYP
(if the retainer is in contact with the front cap, i.e. cap serves to secure the position, the entire stroke length can be utilised)

2 Shock absorber YSR-...-C

3 Position retainer
(included in scope of delivery) either behind or underneath the shock absorber retainer KYP

Dimensions and ordering data							
For size	B8	D1	D5	H2	H4	Weight [g]	Part No. Type
18	14	M12x1	M4	50.5	4.5	66	158 907 KYP-18
25	19	M16x1	M5	69.5	6	95	158 908 KYP-25
32	25	M16x1	M5	80	8	130	158 909 KYP-32
40	32	M22x1.5	M5	102	8	209	158 910 KYP-40
50	35	M22x1.5	M8	124	10	415	158 911 KYP-50
63	44	M26x1.5	M10	152.5	11.5	609	158 912 KYP-63

Passive guide axes FDG, without drive

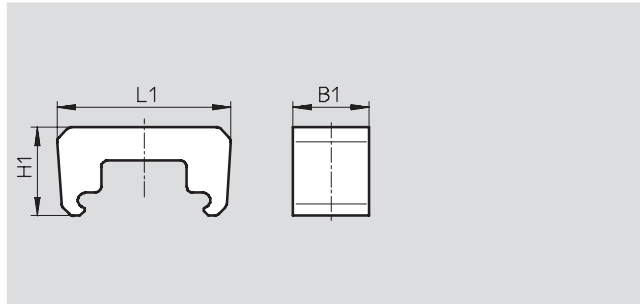
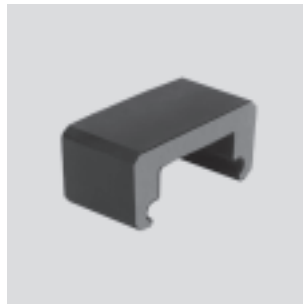
Accessories

FESTO


Emergency buffer NPE

(Order code: A)

Material:
Polyurethane



Dimensions and ordering data						
For size	B1	L1	H1	Weight [g]	Part No.	Type
18	15	43.1	28.5	6	193 901	NPE-18
25	25	57	29	12	193 902	NPE-25
40	40	80.5	36	41	193 904	NPE-40
63	60	128.6	55	152	193 906	NPE-63

 Note
The emergency buffer can only be used in conjunction with shock absorber retainer KYP. →61 (A threaded pin and nut are not required.)

Shock absorber DG-GA

for protected version GA

(Order code: E)

Material:
Housing: Galvanised steel; piston rod: high-alloy steel
Seals: Perbunan, polyurethane
Free of copper, PTFE and silicone



Ordering data			
For size	Weight [g]	Part No.	Type
25	70	192 875	DG-GA-25-YSR
40	140	192 877	DG-GA-40-YSR

Passive guide axes FDG, without drive

Accessories

Sensor bracket HWS

For inductive proximity sensors

(Order code: T)

Material:

Galvanised steel

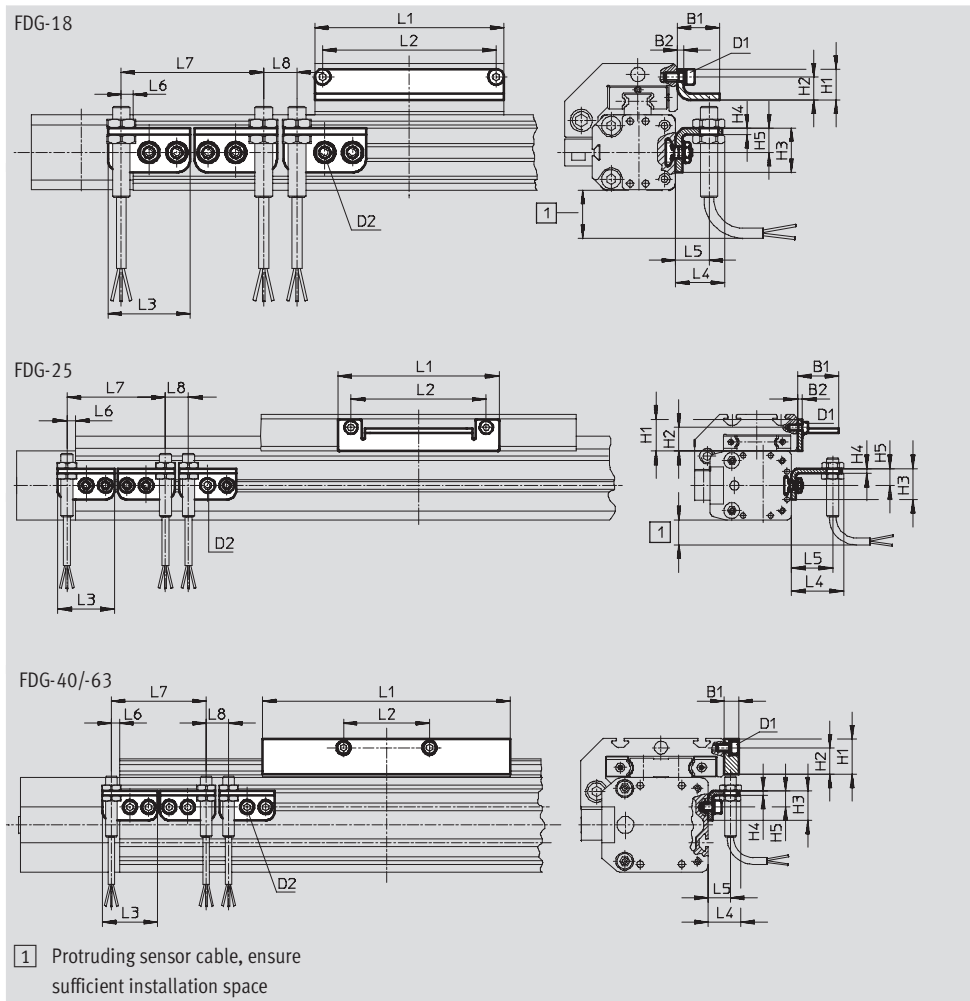


Switching lug SF

(Order code: L)

Material:

Galvanised steel




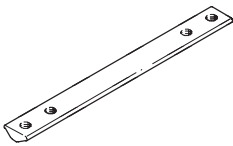

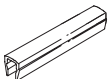
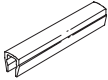
Dimensions and ordering data											
For size	D1	D2	B1	B2	H1	H2	H3	H4	H5	L1	L2
18	M4	M5	19	3	14	10.5	20	3	11	85	78
25	M5	M5	27	3	20.5	15.3	20	3	11	105	88
40	M5	M5	10	-	24	18	20	3	11	167	58
63	M8	M5	10	-	35	25	20	3	11	230	72

For size	L3	L4	L5	L6 max.	L7 min.	L8 min.	Weight [g]	Part No.	Type
18	37	22.5	15	5.5	64	15	30	188 968	HWS-18/25-M8
							60	188 964	SF-18
25	37	34.5	27	5.5	64	15	30	540 780	HWS-25-MAB-M8
							80	540 430	SF-25-MAB
40	37	22.5	15	5.5	64	15	40	188 969	HWS-40-M8
							310	188 966	SF-40
63	37	22.5	15	5.5	64	15	40	188 970	HWS-63-M8
							630	188 967	SF-63

Passive guide axes FDG, without drive

Accessories

FESTO



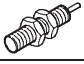

Ordering data						
	For size	Remarks	Order code	Part No.	Type	PU ¹⁾
Slot nut NST Technical data → Internet: nst						
	18, 25	For mounting slot	Y	526 091	NST-HMV-M4	1
	32, 40			150 914	NST-5-M5	1
	50, 63			150 915	NST-8-M6	1
Slot nut NSTL Technical data → Internet: nstl						
	25	For slide	X	158 410	NSTL-25	1
	32			158 411	NSTL-32	1
	40			158 412	NSTL-40	1
	50			158 413	NSTL-50	1
	63			158 414	NSTL-63	1
Centring pin/sleeve ZBS/ZBH Technical data → Internet: zbs, zbh						
	18	For slide	Z	150 928	ZBS-5	10
	25 ... 63			150 927	ZBH-9	10
Slot cover ABP Technical data → Internet: abp						
	32, 40	For mounting slot 0.5 m each	B	151 681	ABP-5	2
	50, 63			151 682	ABP-8	
Slot cover ABP-S Technical data → Internet: abp						
	18 ... 63	For sensor slot 0.5 m each	S	151 680	ABP-5-S	2



1) Packaging unit quantity

Passive guide axes FDG, without drive

Accessories

FESTO

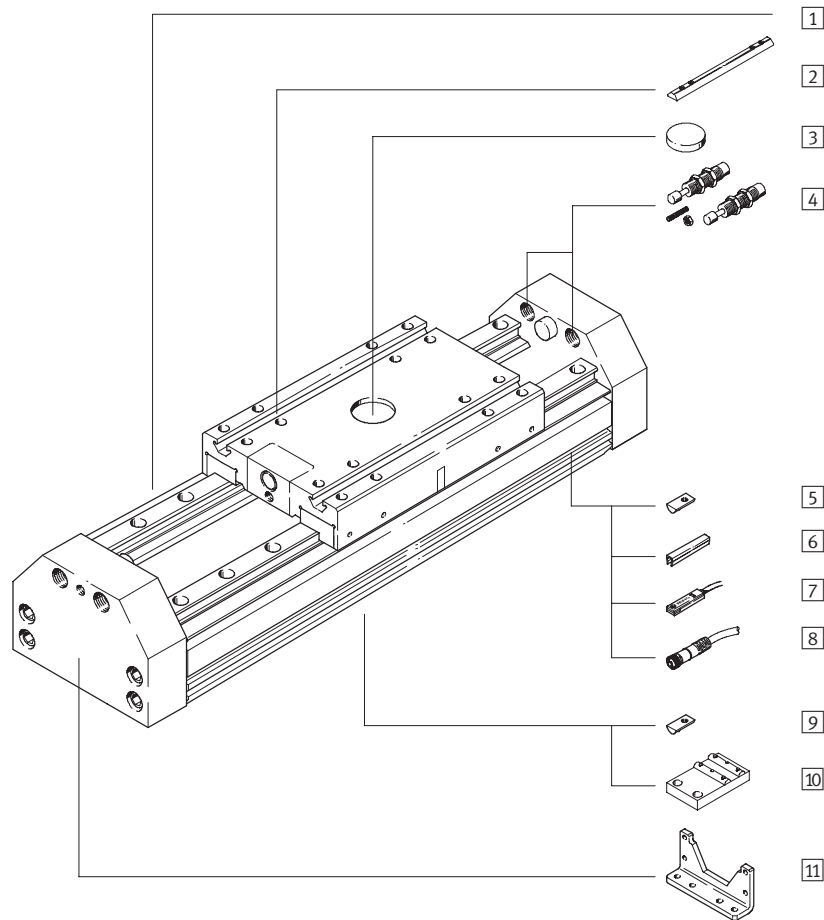
Ordering data – Inductive proximity sensors M8						Technical data → Internet: sien	
	Electrical connection		Switch output	LED	Cable length [m]	Part No.	Type
	Cables	M8 plug					
NO contact							
	3-wire	–	PNP	■	2.5	150 386	SIEN-M8B-PS-K-L
	–	3-pin	PNP	■		150 387	SIEN-M8B-PS-S-L
NC contact							
	3-wire	–	PNP	■	2.5	150 390	SIEN-M8B-PO-K-L
	–	3-pin	PNP	■		150 391	SIEN-M8B-PO-S-L

Ordering data – Connecting cables					Technical data → Internet: nebu		
	Electrical connection, left		Electrical connection, right		Cable length [m]	Part No.	Type
		Straight socket, M8x1, 3-pin		Cable, open end, 3-wire			
					5	541 334	NEBU-M8G3-K-5-LE3
	Angled socket, M8x1, 3-pin		Cable, open end, 3-wire		2.5	541 338	NEBU-M8W3-K-2.5-LE3
					5	541 341	NEBU-M8W3-K-5-LE3

Heavy-duty guides HD, without drive

Peripherals overview

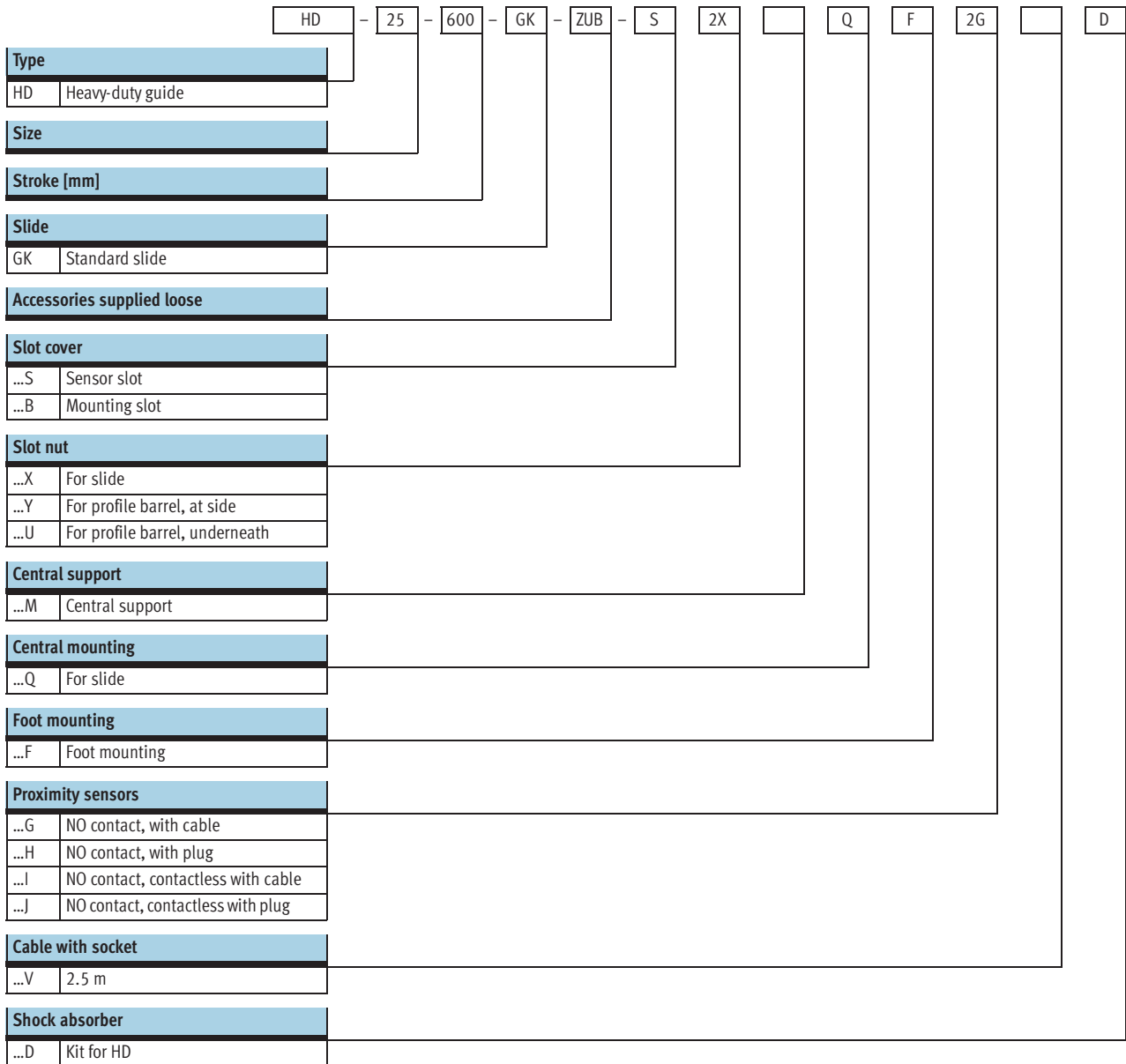
FESTO



Variants and accessories		
Type	Brief description	→ Page/Internet
1 Heavy-duty guide HD	Guide without drive	67
2 Slot nut for slide X	For mounting loads and attachments on the slide	75
3 Central mounting Q	For centring loads and attachments on the slide	75
4 Shock absorber kit D	Absorbs the energy created by the movement of the slide when it reaches the end position	75
5 Slot nut for profile barrel at side Y	For mounting attachments	75
6 Slot cover B/S	To protect against the ingress of dirt	75
7 Proximity sensors G/H/I/J/N	For providing a proximity signal or safety check	76
8 Cable with socket V	For proximity sensor	76
9 Slot nut for profile barrel underneath U	For mounting attachments	75
10 Central support M	To mount the axis	74
11 Foot mounting F	To mount the axis	74

Heavy-duty guides HD, without drive



Type codes

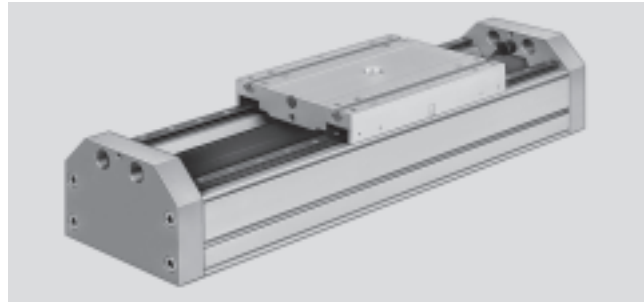


Heavy-duty guides HD, without drive

FESTO

Technical data

-  - Size
8 ... 40
-  - Stroke length
10 ... 2,110 mm

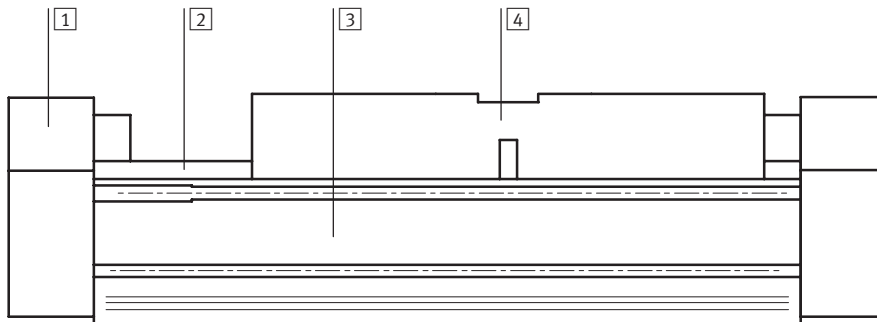


General technical data						
Size	HD8	HD12	HD18	HD25	HD40	
Max. stroke [mm]	10 ... 1,080	10 ... 1,550	10 ... 1,810	10 ... 2,160	10 ... 2,110	
Guide	External recirculating ball bearing guide					
Fitting position	Any					
Cushioning	Not adjustable at either end					
	Self-adjusting at both ends					
Type of mounting	Profile mounting					
	Foot mounting					
Max. speed [m/s]	3					
Ambient temperature [°C]	-10 ... +60					

Weights [kg]						
Size	HD8	HD12	HD18	HD25	HD40	
Basic weight at 0 mm stroke	0.86	1.37	2.95	3.6	11.8	
Additional weight per 100 mm stroke	0.33	0.46	0.72	1.16	1.76	
Moving load	0.195	0.33	0.45	1.78	3.3	

Materials

Sectional view



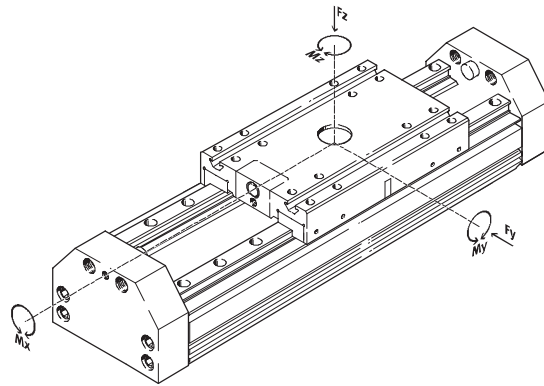
Axis	
1	End cap Anodised aluminium
2	Guide Rolled steel
3	Profile Anodised aluminium
4	Slide Anodised aluminium

Heavy-duty guides HD, without drive

Technical data

Characteristic load values

The forces and torques specified refer to the centre of the guide rails. They must not be exceeded during dynamic operation.



If the heavy-duty guide is simultaneously subjected to several of the forces and torques listed below, the following equations must be satisfied in addition to the indicated maximum loads.

$$\frac{F_y}{F_{y_{max}}} + \frac{F_z}{F_{z_{max}}} + \frac{M_x}{M_{x_{max}}} + \frac{M_y}{M_{y_{max}}} + \frac{M_z}{M_{z_{max}}} \leq 1$$

Permissible forces and torques						
Size		HD8	HD12	HD18	HD25	HD40
F _y _{max.}	[N]	518	1 120	1 820	5 400	5 400
F _z _{max.}	[N]	518	1 120	1 820	5 600	5 600
M _x _{max.}	[Nm]	12.6	33.6	70	260	375
M _y _{max.}	[Nm]	16.8	50.4	115	415	560
M _z _{max.}	[Nm]	16.8	49	112	400	540

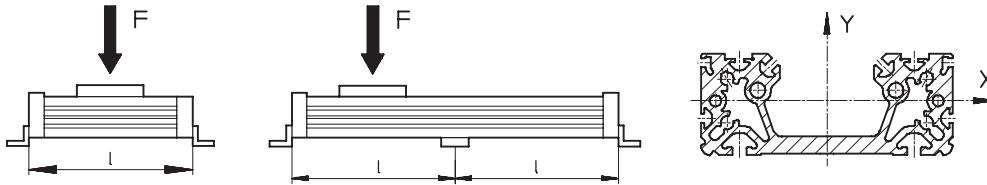
Heavy-duty guides HD, without drive

Technical data

Maximum permissible support span l as a function of the force F

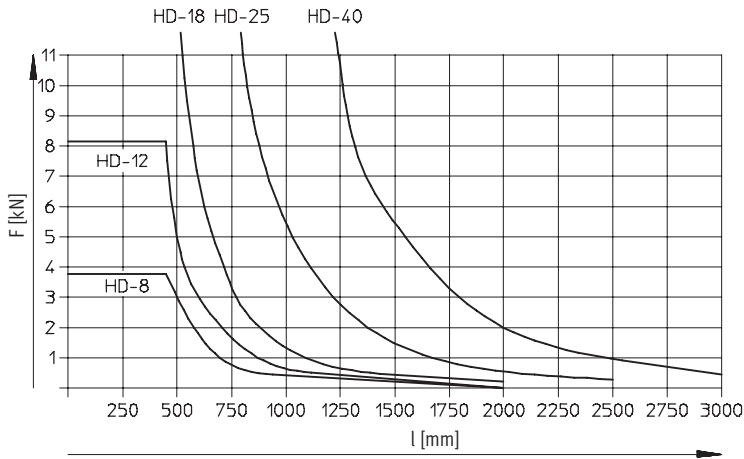
The drive may need to be supported with central supports MUP in order to limit deflection in the case of large strokes. The following diagrams serve to determine the maximum permissible support span l as a function of the force F .

Load on the surface of the slide

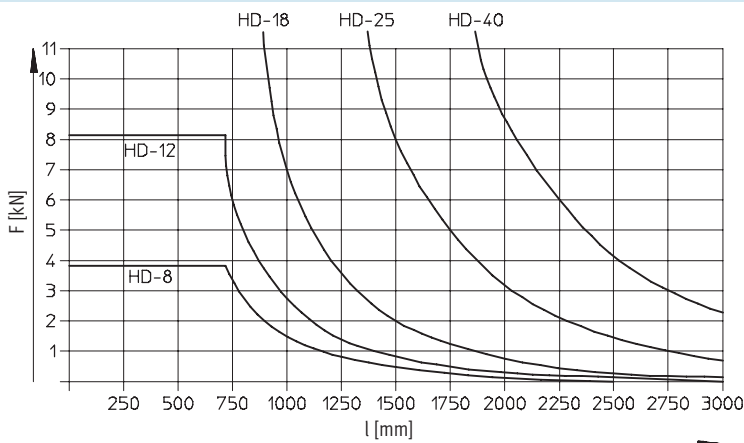


Maximum permissible support span l (without central support) as a function of the force F

Deflection around the X axis



Deflection around the Y axis



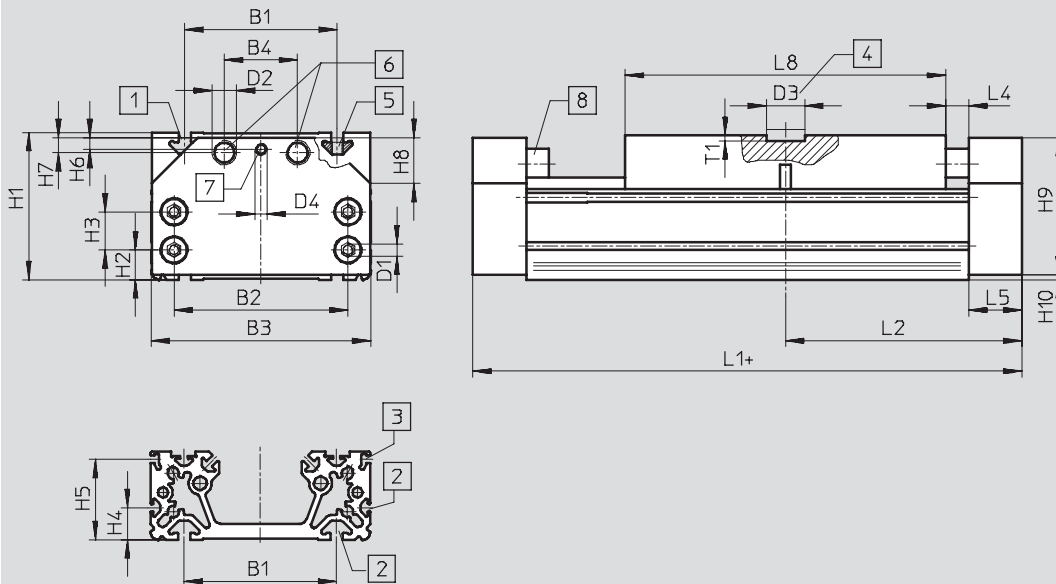
Heavy-duty guides HD, without drive

Technical data

FESTO

Dimensions

Download CAD data → www.festo.com



- 1 Mounting slot for slot nut NSTH
 - 2 Mounting slot for slot nut NST
 - 3 Sensor slot for proximity sensor SME/SMT-8
 - 4 Central mounting SLZZ
 - 5 Slot nut NSTH
 - 6 Thread for shock absorber YHD or YSR...-C
 - 7 Thread for threaded pin (shock absorber kit)
 - 8 Rubber buffer
- + = plus stroke length

Size	B1	B2	B3	B4	D1	D2	D3 ∅ G7	D4	H1	H2	H3	H4
8	50 ±0.2	46 ±0.1	75	26	M5	M10x1	25	M3	48.2	9.5	14 ±0.1	8.5
12	60 ±0.3	65 ±0.1	89	30		M12x1		M4	59.5	11	19 ±0.1	12
18	80 ±0.3	85 ±0.2	116	40	M8	M16x1	M8	M6	69.9	12.8	19.5 ±0.1	14
25	100 ±0.3	114 ±0.2	144	48		M22x1.5		M8	93.5	18.5	25 ±0.2	21
40	140 ±0.35	156 ±0.2	185	54					124.5	21	48 ±0.2	35

Size	H5	H6	H7	H8	H9	H10	L1	L2	L4	L5	L8	T1
8	29.3	2.4	8	15x45°	47	0.5	160	80	15	20	90	-
12	35.3	4	6.5	18x45°	58		190	95			120	
18	42.3	5.9	8.7	20x45°	68	0.8	240	120	25	160	210	-
25	52.8	9	9.75	30x45°	90		310	155				
40	82.8	5.5	15.5	35x45°	120	2.0	354	177	32	260	4	-

Heavy-duty guides HD, without drive

Ordering data – Modular product system

M Mandatory data →

Module No.	Guide	Size	Stroke	Basic variant
170 023	HD	8	10 ... 2,160	GK
170 024		12		
170 025		18		
170 026		25		
170 027		40		
Ordering example				
170 026	HD	- 25	- 500	- GK

Ordering table								
Size	8	12	18	25	40	Condi- tions	Code	Enter code
M Module No.	170 023	170 024	170 025	170 026	170 027			
Guide	Heavy-duty guide						HD	HD
Size	8	12	18	25	40		-...	
Stroke [mm]	10 ... 1,080	10 ... 1,550	10 ... 1,810	10 ... 2,160	10 ... 2,110		-...	
↓ Basic variant	Standard slide						-GK	-GK

Transfer order code

	HD	-		-		-	GK
--	-----------	---	--	---	--	---	-----------

Heavy-duty guide HD, without drive

Ordering data – Modular product system



Options								
Accessories	Slot cover	Slot nut	Central support	Central mounting	Foot mounting	Proximity sensors	Plug socket	Shock absorber kit
ZUB	...S ...B	...X ...Y ...U	...M	...Q	...F	...G ...H ...I ...J	...V	...D
ZUB	- 2S2B	2X		Q	F			2D

Ordering table										
Size	8	12	18	25	40	Condi- tions	Code		Enter code	
0 Accessories	Supplied separately							ZUB-		ZUB-
Slot cover (x2, 0.5 m)	Sensor slot	1 ... 10					...S			
	Mounting slot underneath	-	1 ... 10				...B			
Slot nut for	slide	1 ... 10					...X			
	profile barrel, side	-	-	1 ... 10			...Y			
	profile barrel, bottom	-	1 ... 10				...U			
Central support	1 ... 10					...M				
Central mounting for	slide	-	1 ... 10				...Q			
Foot mounting (kit)	1 ... 10					...F				
Magnetic proximity sensor	with cable 2.5 m	1 ... 10					...G			
	with plug	1 ... 10					...H			
	Contactless, with cable 2.5 m	1 ... 10					...I			
	Contactless, with plug	1 ... 10					...J			
Cable with socket 2.5 m	1 ... 10					...V				
Shock absorber kit	1 ... 10					...D				

Transfer order code

ZUB	-								
-----	---	--	--	--	--	--	--	--	--

Heavy-duty guides HD, without drive

Accessories



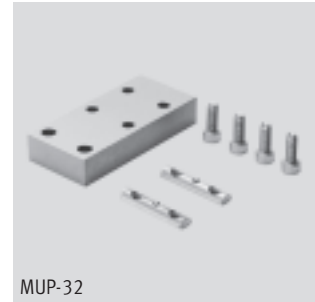
Foot mounting HHP
(Order code: F)

Material:
Galvanised steel
Free of copper, PTFE and silicone

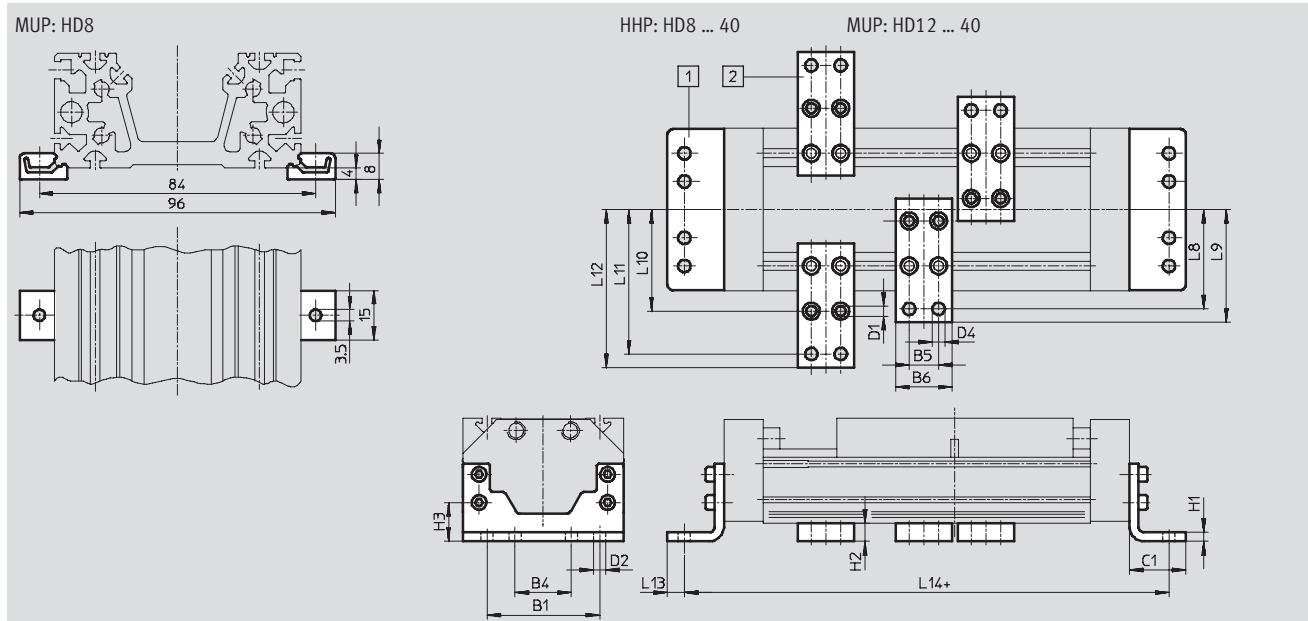


Central support MUP
(Order code: M)

Material:
Galvanised steel
Free of copper, PTFE and silicone



MUP-32



Dimensions and ordering data											
For size	B1	B4	B5	B6	C1	D1 Ø	D2 Ø	D4 Ø	H1	H2	H3
8	50	25	-	-	23	-	5.5	-	5	-	13.5
12	60	30	22	35	28	5.5	6.6	6.6	6	10	21
18	80	40	22	35	34	5.5	6.6	6.6	8	14	26.8
25	100	50	26	50	50	9	11	11	8	16	34.5
40	140	70	26	50	50	9	11	11	10	16	37

For size	L8	L9	L10	L11	L12	L13	L14	Weight [g]	Part No.	Type
8	-	-	-	-	-	6	194	105	161 991	HHP-8
								8	160 909	MUP-8/12
12	54	60.5	52	76	82.5	8	230	186	161 992	HHP-12
								89	150 737	MUP-32
18	68	75	64	92	99	9	290	357	161 993	HHP-18
								126	150 738	MUP-40
25	88	100	90	128	140	15	380	794	161 994	HHP-25
								347	150 739	MUP-50
40	108	120	110	148	160	15	424	1,318	161 995	HHP-40
								347	150 739	MUP-50

Heavy-duty guides HD, without drive

Accessories

FESTO

Shock absorber kit YHD

(Order code: D)

Material:


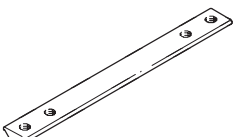

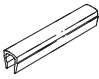
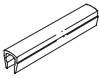
Galvanised steel housing

TPE-U(PU) NBR seals

Free of copper, PTFE and silicone



Ordering data						
For size	Weight [g]			Part No.	Type	
8	168			174 542	YHD-8	
12	170			174 543	YHD-12	
18	203			174 544	YHD-18	
25	293			174 545	YHD-25	
40	515			174 546	YHD-40	

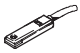

Ordering data						
	For size	Remarks	Order code	Part No.	Type	PU ¹⁾
Slot nut NST Technical data → Internet: nst						
	18	For profile barrel, at side	Y	150 914	NST-5-M5	1
	25			150 914	NST-5-M5	1
	40			150 915	NST-8-M6	1
	12	For profile barrel, underneath	U	150 914	NST-5-M5	1
	18			150 914	NST-5-M5	1
	25			150 915	NST-8-M6	1
40	150 915			NST-8-M6	1	
Slot nut NSTH Technical data → Internet: nstl						
	8	For slide	X	161 018	NSTH-8	1
	12			161 019	NSTH-12	1
	18			161 020	NSTH-18	1
	25			161 021	NSTH-25	1
	40			161 022	NSTH-40	1
Central mounting SLZZ Technical data → Internet: slzz						
	12 ... 40	For slide	Q	150 901	SLZZ-25/16	1
Slot cover ABP Technical data → Internet: abp						
	12	For mounting slot, side and underneath	B	151 681	ABP-5	2
	18			151 681	ABP-5	
	25 underneath	0.5 m each		151 681	ABP-5	
	25 lateral	151 682		ABP-8		
	40	151 682		ABP-8		
Slot cover ABP-S Technical data → Internet: abp						
	8 ... 40	For sensor slot 0.5 m each	S	151 680	ABP-5-S	2


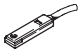
1) Packaging unit quantity



Heavy-duty guides HD, without drive

Accessories

FESTO

Ordering data – Proximity sensors for T-slot, magneto-resistive					Technical data → Internet: smt	
	Type of mounting	Switch output	Electrical connection	Cable length [m]	Part No.	Type
N/O contact						
	Insertable in the slot lengthwise, flush with the cylinder profile	PNP	Cable, 3-wire	2.5	175 436	SMT-8-PS-K-LED-24-B
			Plug M8x1, 3-pin	0.3	175 484	SMT-8-PS-S-LED-24-B
N/C contact						
	Insertable in the slot from above, flush with cylinder profile	PNP	Cable, 3-wire	7.5	543 873	SMT-8M-PO-24V-K7,5-OE

Ordering data – Proximity sensors for T-slot, magnetic reed					Technical data → Internet: sme	
	Type of mounting	Switch output	Electrical connection	Cable length [m]	Part No.	Type
N/O contact						
	Insertable in the slot lengthwise, flush with the cylinder profile	Contacting	Cable, 3-wire	2.5	150 855	SME-8-K-LED-24
			Plug M8x1, 3-pin	0.3	150 857	SME-8-S-LED-24
N/C contact						
	Insertable in the slot lengthwise, flush with the cylinder profile	Contacting	Cable, 3-wire	7.5	160 251	SME-8-O-K-LED-24

Ordering data – Connecting cables				Technical data → Internet: nebu	
	Electrical connection, left	Electrical connection, right	Cable length [m]	Part No.	Type
	Straight socket, M8x1, 3-pin	Cable, open end, 3-wire	2.5	541 333	NEBU-M8G3-K-2.5-LE3
			5	541 334	NEBU-M8G3-K-5-LE3
	Angled socket, M8x1, 3-pin	Cable, open end, 3-wire	2.5	541 338	NEBU-M8W3-K-2.5-LE3
			5	541 341	NEBU-M8W3-K-5-LE3