

Condensate drain WA/PWEA



FESTO

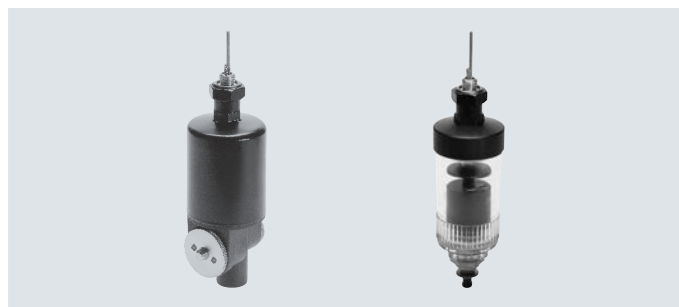



Datasheet

Function



-  - Temperature range
0 ... +60°C
-  - Operating pressure
1.5 ... 16 bar



 **Note**

For the automatic condensate drain WA-2 to close, it requires a flow rate of 125 l/min, which occurs at approx. 1.5 bar.

For attaching to service unit components and compressed air networks/systems. Condensed water in the compressed air is separated in appropriate filters. The condensate that accumulates must be emptied from time to time, as otherwise it would be drawn in and could lead to faults in downstream components. The devices shown ensure the condensate is automatically drained off.

They contain a float which opens a poppet valve when a certain condensate level is reached. This drains the condensate that has been collected. If a manual override is additionally installed, the condensate can also be drained manually.

- Automatic emptying after the max. fill level has been reached
- Automatic emptying after the operating pressure $p < 0.5$ bar is switched off
- Manual actuation during operation is possible

General technical data

| Type | WA-1-B | WA-2 |
|-----------------------------|---|---------------------------------|
| Pneumatic connection | M9 | M9 |
| Condensate drain connection | G1/4 | PK-4 |
| Design | External, mechanically operated, fully automatic condensate drain valve | |
| Measured variable | Filling level | |
| Type of mounting | In-line installation | |
| Mounting position | Vertical, $\pm 10^\circ$ | Vertical, $\pm 5^\circ$ |
| Valve function | 2/2-way valve, closed, monostable | 2/2-way valve, open, monostable |
| Manual override | Non-detenting | |

Operating and environmental conditions

| Type | WA-1-B | WA-2 |
|--|-------------|-------------|
| Operating pressure [bar] | 4 ... 16 | 1.5 ... 14 |
| Operating medium | Water | |
| Ambient temperature [°C] | 0 ... +60 | 0 ... +50 |
| Temperature of medium [°C] | 0 ... +60 | 0 ... +50 |
| Storage temperature [°C] | -20 ... +60 | -20 ... +60 |
| Corrosion resistance class CRC ¹⁾ | 2 | |

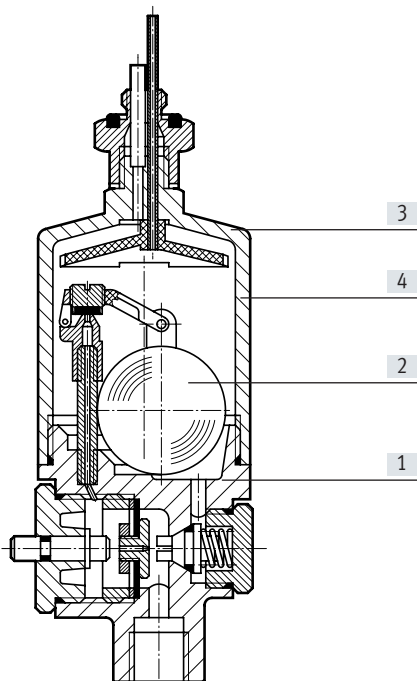
1) Corrosion resistance class CRC 2 to Festo standard FN 940070

Moderate corrosion stress. Indoor applications in which condensation can occur. External visible parts with primarily decorative surface requirements which are in direct contact with a normal industrial environment.

Datasheet

Materials

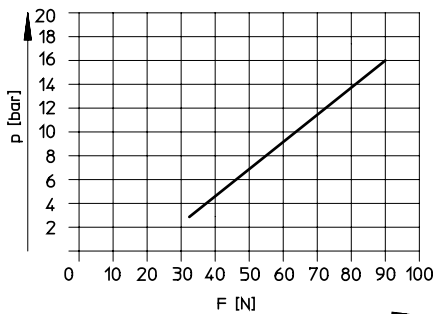
Sectional view



| Condensate drain | WA-1-B | WA-2 |
|-------------------|----------------|--|
| [1] Housing | Brass | Brass |
| [2] Float | Polypropylene | Polyacetal |
| [3] Hood | Polyamide | Wrought aluminium alloy |
| [4] Bowl | - | Polycarbonate |
| - Seals | Nitrile rubber | Nitrile rubber |
| Note on materials | - | Contains paint-wetting impairment substances |

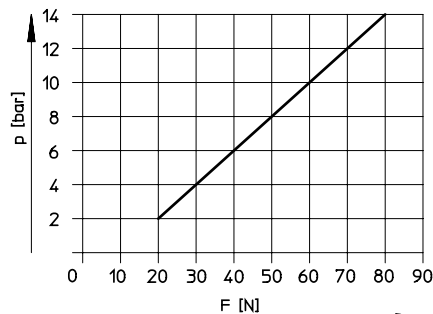
Actuating force F for manual actuation as a function of input pressure p

WA-1-B



Primary pressure p₁ = 7 bar

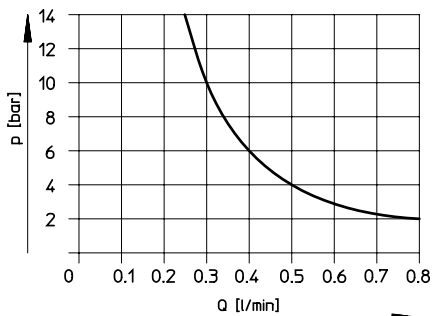
WA-2



Primary pressure p₁ = 7 bar

Max. possible condensate flow rate qn as a function of input pressure p

WA-2

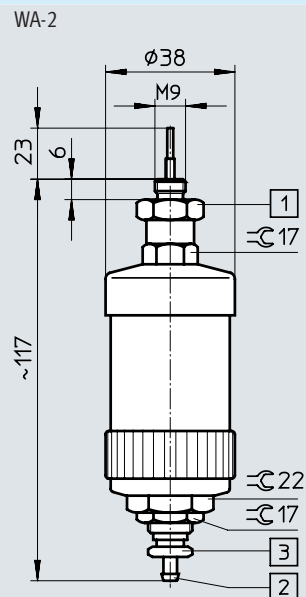
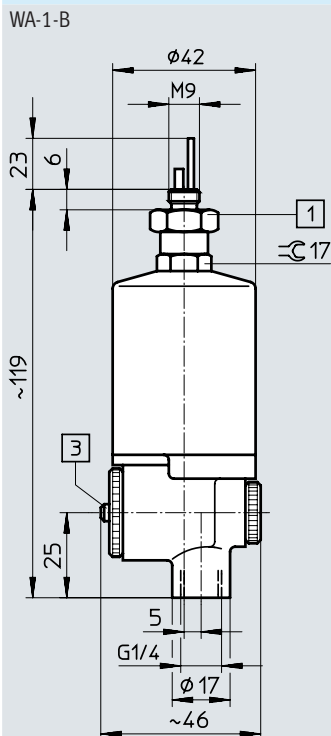


Primary pressure p₁ = 7 bar

Datasheet

Dimensions

Download CAD data → www.festo.com





[1] Adapter SW17

[2] Barbed connector for plastic tubing PCN-4

[3] Manual override

Ordering data

| | Pneumatic connection | Valve function | Weight [g] | Part no. | Type |
|--|----------------------|-----------------------------------|------------|---------------|---------------|
|  | M9 | 2/2-way valve, closed, monostable | 210 | 158497 | WA-1-B |
|  | M9 | 2/2-way valve, open, monostable | 92 | 152810 | WA-2 |

Datasheet



- - Temperature range
+1 ... +60°C
- - Operating pressure
0.8 ... 16.0 bar
- - www.festo.com



Condensate passes through the connecting bore in the bottom of the filter bowl into the attached condensate drain valve, where it is collected in a reservoir. A capacitive sensor detects when the maximum filling level is reached.

The condensate escapes into the atmosphere via the opening diaphragm valve through the discharge pipe. The diaphragm valve closes again after a specified response time. A residual amount of condensate remains in the reservoir so that no compressed air can escape into the discharge line.

- Fully automatic condensate drain with independent electric controller
- Interface available for communicating with master control device
- Reliable thanks to non-contacting capacitive sensor
- Can be used with service units or simply in piping systems
- Operated via touch-sensitive keys or electrical interface
- Ready status and switching status indicated via LEDs and electrical interface

| General technical data | | PWEA-AC-6A | PWEA-AC-7A | PWEA-AC-3D |
|-----------------------------|--|---|------------|------------|
| Type | | | | |
| Pneumatic connection | | G1/2 | | |
| Condensate drain connection | | PK-8 | | |
| Design | | External, electrically operated, fully automatic condensate drain valve | | |
| Measured variable | | Filling level | | |
| Type of mounting | | In-line installation | | |
| Mounting position | | Vertical ±5° | | |
| Valve function | | 3/2-way single solenoid valve, closed | | |
| Manual override | | Non-detenting | | |

| Electrical data | | PWEA-AC-6A | PWEA-AC-7A | PWEA-AC-3D |
|---|--------|---|------------|------------|
| Type | | | | |
| Electrical connection | | Screw terminal PG9 | | |
| Nominal operating voltage | [V AC] | 115 | 230 | - |
| | [V DC] | - | - | 24 |
| Mains frequency | [Hz] | 50/60 | | - |
| Nominal power of condensate drain | [VA] | 2 | 2 | - |
| | [W] | - | - | 2 |
| Control elements | | Touch-sensitive keypad with test button | | |
| Ready status indication/switching status indication | | LED | | |
| Alarm output | | Contacting | | |
| Protection class (IEC 60529) | | IP65 | | |
| Protection class | | II | II | III |

Datasheet

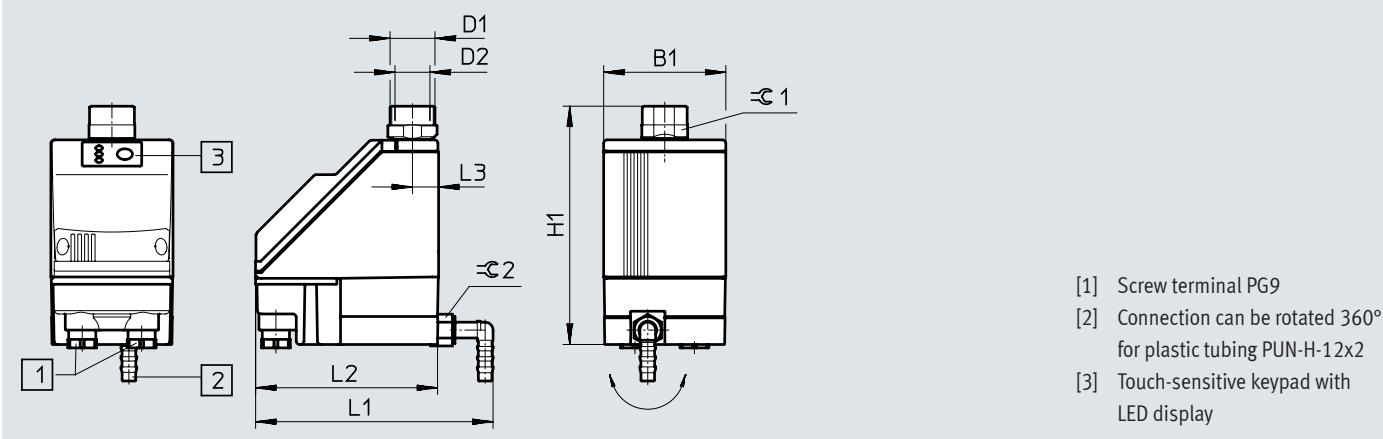
| Operating and environmental conditions | | PWEA-AC-6A | PWEA-AC-7A | PWEA-AC-3D |
|---|-------|---|------------|------------|
| Type | | | | |
| Operating pressure | [bar] | 0.8 ... 16 | | |
| Operating medium | | Compressed air to ISO 8573-1:2010 [--:--] | | |
| PWIS conformity | | VDMA24364-B1/B2-L | | |
| Ambient temperature | [°C] | +1 ... +60 | | |
| Temperature of medium | [°C] | +1 ... +60 | | |
| Storage temperature | [°C] | +10 ... +60 | | |
| Corrosion resistance class CRC ¹⁾ | | 2 | | |
| CE marking (see declaration of conformity ²⁾) | | To EU EMC Directive | | |
| | | To EU Low Voltage Directive | | - |
| UKCA marking (see declaration of conformity ²⁾) | | UK regs EMC | | |
| | | UK regs RoHS | | |
| | | UK regs electrical equipment | | |
| Certification | | C-Tick | | |
| KC mark | | KC EMC | | |

- 1) Corrosion resistance class CRC 2 to Festo standard FN 940070
Moderate corrosion stress. Indoor applications in which condensation can occur. External visible parts with primarily decorative surface requirements which are in direct contact with a normal industrial environment.
- 2) For information about the area of use, see the EC declaration of conformity at: www.festo.com/catalogue/wa → Support/Downloads.
If the devices are subject to usage restrictions in residential, commercial or light-industrial environments, further measures for the reduction of the emitted interference may be necessary.

| Materials | |
|----------------------|-------------------------|
| Housing | Plastic |
| Condensate reservoir | Wrought aluminium alloy |
| Seals | NBR, FPM, PU |
| Note on materials | RoHS-compliant |
| | Free of copper and PTFE |

Dimensions

Download CAD data → www.festo.com



| B1 | D1 | D2 | H1 | L1 | L2 | L3 | ∅ 1 | ∅ 2 |
|----|------|------|-----|-----|-----|----|-----|-----|
| 72 | G3/4 | G1/2 | 140 | 140 | 108 | 15 | 27 | 16 |

Ordering data

| | Electrical connection | Nominal operating voltage | | Weight [g] | Part no. | Type |
|--|-----------------------|---------------------------|--------|------------|----------|------------|
| | | [V AC] | [V DC] | | | |
| | Screw terminal PG9 | 115 | - | 700 | 538679 | PWEA-AC-6A |
| | | 230 | - | 700 | 538680 | PWEA-AC-7A |
| | | - | 24 | 700 | 538681 | PWEA-AC-3D |

Festo - Your Partner in Automation



1 Festo Inc.
5300 Explorer Drive
Mississauga, ON L4W 5G4
Canada

Festo Customer Interaction Center
Tel: 1 877 463 3786
Fax: 1 877 393 3786
Email: customer.service.ca@festo.com



2 Festo Pneumatic
Av. Ceylán 3,
Col. Tequesquináhuac
54020 Tlalnepantla,
Estado de México

Multinational Contact Center
01 800 337 8669
ventas.mexico@festo.com



3 Festo Corporation
1377 Motor Parkway
Suite 310
Islandia, NY 11749

Festo Customer Interaction Center
1 800 993 3786
1 800 963 3786
customer.service.us@festo.com



4 Regional Service Center
7777 Columbia Road
Mason, OH 45040

Connect with us



www.festo.com/socialmedia



www.festo.com

Subject to change