

Hand Lever Valves VHER

Hand Lever Valves VHER – Metric Series

FESTO



Hand lever valves VHER are used to manually control the motion of cylinders within the stroke range.

- 4/3-way valve
 - mid-position closed
 - mid-position exhausted
- Flow rate: 170 ... 4,300 l/min
- Operating pressure: –0.95 ... +10 bar
- Pneumatic connection: M5, G $\frac{1}{8}$, G $\frac{1}{4}$, G $\frac{1}{2}$
- Available with rugged metal lever or lockable polymer lever

Product Range Overview				
Valve function	Pneumatic connection		Nominal diameter [mm]	Flow rate [l/min]
	Position	Size		
Actuation with metal lever				
4/3-way valve, mid-position closed or exhausted	underneath	G $\frac{1}{8}$	6	800
		G $\frac{1}{4}$	8	1,500
		G $\frac{1}{2}$	12	4,300
	at side	G $\frac{1}{8}$	6	600
		G $\frac{1}{4}$	8	1,150
		G $\frac{1}{2}$	12	3,500
Actuation with lockable polymer lever				
4/3-way valve, mid-position closed or exhausted	underneath	M5	4	260
		G $\frac{1}{8}$	6	800
		G $\frac{1}{4}$	8	1,500
		G $\frac{1}{2}$	12	4,300
	at side	M5	4	170
		G $\frac{1}{8}$	6	600
		G $\frac{1}{4}$	8	1,150
		G $\frac{1}{2}$	12	3,500

Features

Versatile

- 4/3-way valve:
 - mid-position closed
 - mid-position exhausted
- Pneumatic connection: M5, G $\frac{1}{8}$, G $\frac{1}{4}$, G $\frac{1}{2}$
- 3/3-way valve:
 - The hand lever valves VHER can be used as 3/3-way valves by sealing port 2

Practical

- With these valves it is possible to stop single-acting cylinders (3/3-way valve) or double-acting cylinders (4/3-way valve) within the stroke range.
- In mid-position closed, the drive piston moves until the forces are balanced.
- In mid-position exhausted the piston can be moved manually; only the frictional forces have to be overcome.

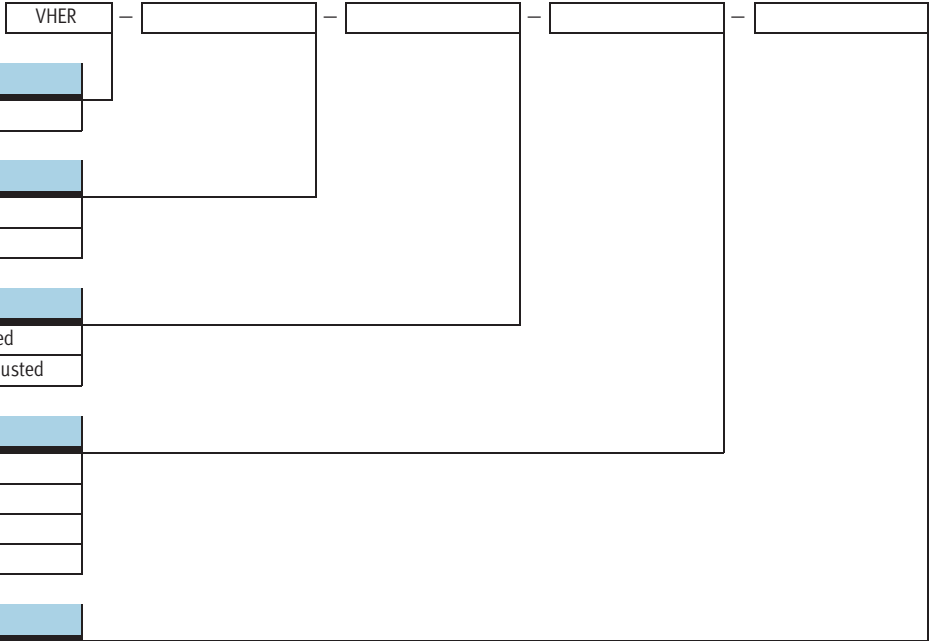
Contents

Technical Data	→ 3
Dimensional Drawings	
– Metal Lever	→ 5
– Polymer Lever	→ 9
Ordering Data	→ 13
Accessories	→ 14

→ www.festo.com/catalog/vher

Order Code

Hand Lever Valves VHER – Metric Series



Type	
VHER	Hand lever valve with detent

Design of Actuating Lever	
AH	Metal version
BH	Polymer version

Valve Function	
M04C	4/3-way valve, mid-position closed
M04E	4/3-way valve, mid-position exhausted

Connection Sizes	
M05	M5
G18	G1/8
G14	G1/4
G12	G1/2

Connection Direction	
LD	To the side
UD	Downward

Order example:

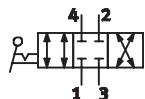
VHER-AH-M04C-G18-LD

Technical Data

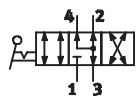
Hand Lever Valves VHER – Metric Series



ISO Symbol



Mid-position closed



Mid-position exhausted



General Technical Data									
Actuating lever			Metal (VHER-AH)			Polymer (VHER-BH)			
Pneumatic connection 1,2,3,4			G $\frac{1}{8}$	G $\frac{1}{4}$	G $\frac{1}{2}$	M5	G $\frac{1}{8}$	G $\frac{1}{4}$	G $\frac{1}{2}$
Actuator lock			-			Lockable with accessories			
Valve function			4/3-way, closed or exhausted						
Design			Rotary slide valve						
Sealing principle			Sliding disk						
Type of mounting			Option of front panel mounting or through-holes						
Pilot control mode			Direct						
Actuation type			Manual						
Switching position display			Via accessories						
Assembly position			Any						
Direction of flow			Reversible						
Overlapping			No						
Standard nominal flow rate	Ports underneath	[l/min]	800	1,500	4,300	260	800	1,500	4,300
	Ports at side	[l/min]	600	1,150	3,500	170	600	1,150	3,500
Nominal diameter		[mm]	6	8	12	4	6	8	12
Actuating torque at 10 bar		[Nm]	1.1	2.8	5	0.6	1.1	2.8	5

Operating and Environmental Conditions	
Operating medium	Filtered compressed air and inert gases, lubricated or unlubricated
Filtration grade	[μ m] 40
Operating pressure	[bar] -0.95 ... +10
Ambient temperature	[$^{\circ}$ C] -20 ... +80
Corrosion resistance class CRC ¹⁾	2

1) Corrosion resistance class 2 according to Festo standard 940 070
Components requiring moderate corrosion resistance. Externally visible parts with primarily decorative surface requirements which are in direct contact with a normal industrial environment or media such as coolants or lubricating agents.

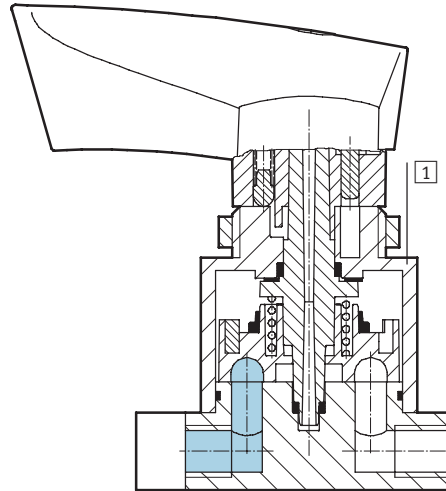
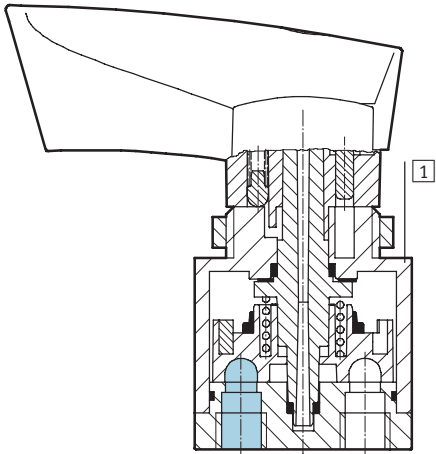
Technical Data

Hand Lever Valves VHER – Metric Series

Sectional View – Metal Lever

Ports underneath

Ports at side

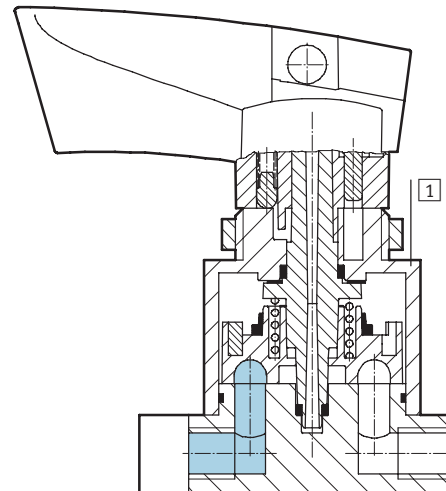
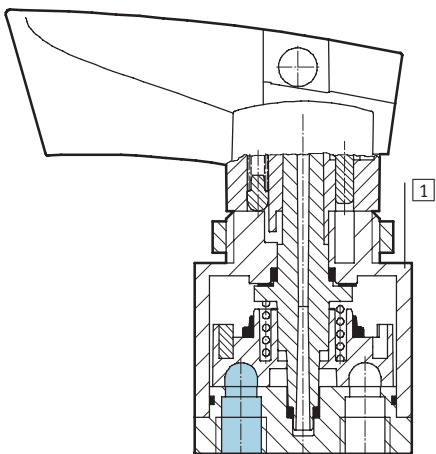


Materials	
1	Housing Die-cast aluminum
-	Seals Nitrile rubber
-	Contains PWIS (paint wetting impairment substances)
-	Free of copper and PTFE

Sectional View – Polymer Lever

Ports underneath

Ports at side



Materials		
Pneumatic connection 1,2,3,4	M5, G $\frac{1}{8}$	G $\frac{1}{4}$, G $\frac{1}{2}$
1	Housing Reinforced Polyamide	Die-cast aluminum
-	Seals Nitrile rubber	
-	Contains PWIS (paint wetting impairment substances)	
-	Free of copper and PTFE	

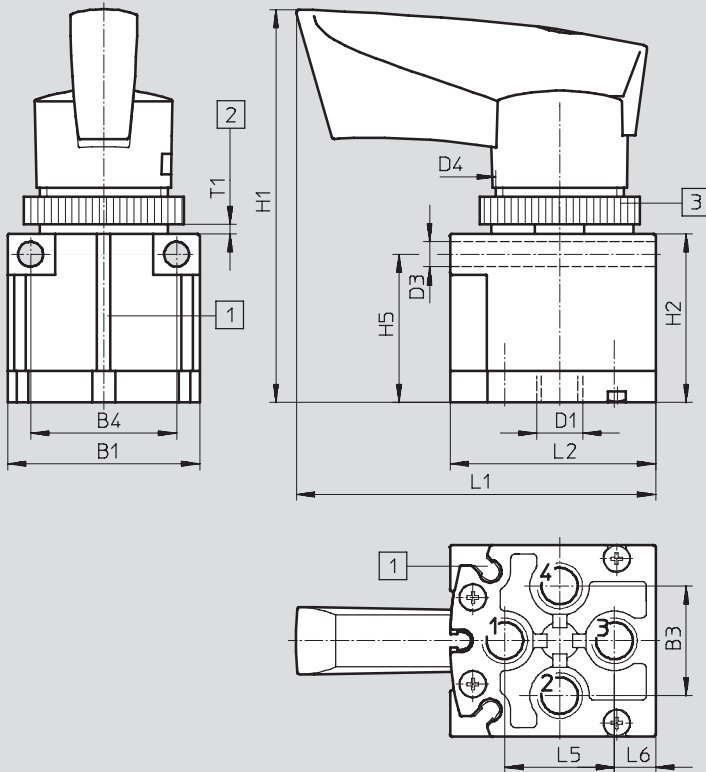
Dimensional Drawings, Metal Lever

Hand Lever Valves VHER – Metric Series

Dimensions – Ports Underneath¹⁾

Download CAD data → www.festo.com/us/cad

G¹/₈



- 1 Sensor slot for SME-10-...
- 2 Material thickness for control panel installation
- 3 Knurled nut

Pneumatic connection D1	B1	B3	B4	D3 Ø	D4	H1	H2	H5	L1	L2	L5	L6	T1
G ¹ / ₈	42	24	32	5.5	M30	87	37	32.5	79	45	24	9	2 ... 4

1) Dimensions are in millimeters, unless otherwise noted.

Dimensional Drawings, Metal Lever

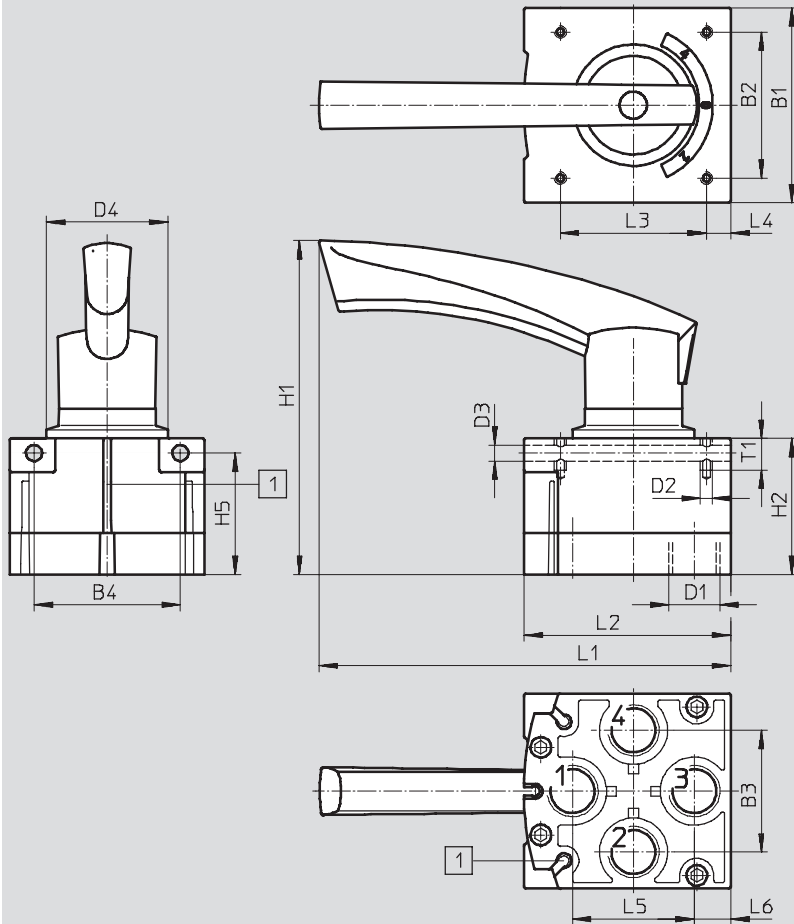
Hand Lever Valves VHER – Metric Series



Dimensions – Ports Underneath¹⁾

Download CAD data → www.festo.com/us/cad

G¹/₄, G¹/₂



1) Sensor slot for SME-10-...

Pneumatic connection D1	B1	B2	B3	B4	D2	D3 ∅	D4 ∅	H1	H2	H5	L1	L2	L3	L4	L5	L6	T1
G ¹ / ₄	56	42	33	42	M5	5.5	40	130	49	43.5	157	60	42	7.2	33	11.4	12
G ¹ / ₂	80	60	50	60	M6	6.4	50	137	55.8	49.8	169	85	60	10	50	15	13

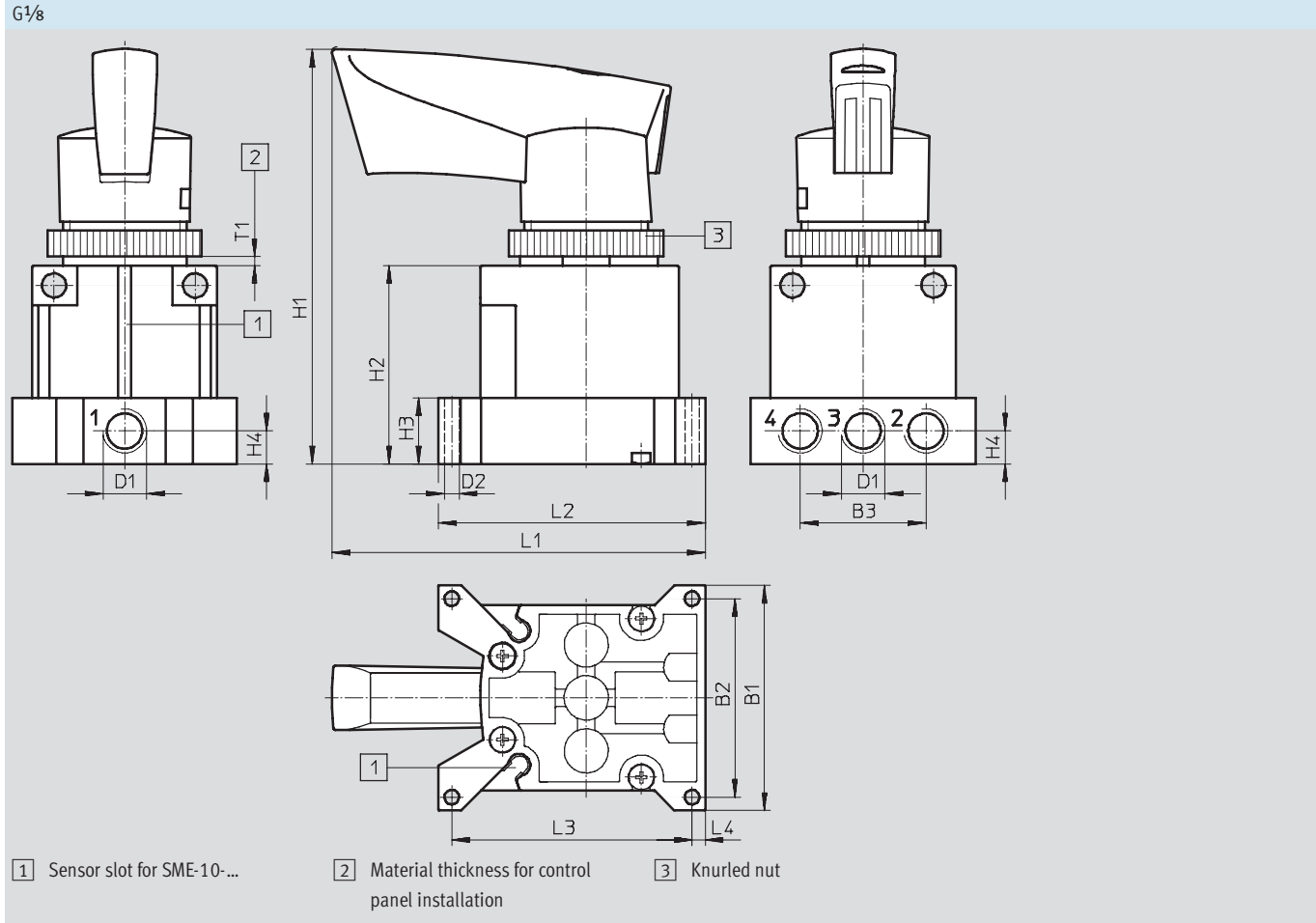
1) Dimensions are in millimeters, unless otherwise noted.

Dimensional Drawings, Metal Lever

Hand Lever Valves VHER – Metric Series



Dimensions – Ports at Side¹⁾ Download CAD data → www.festo.com/us/cad



Pneumatic connection D1	B1	B2	B3	D2 ∅	H1	H2	H3	H4	L1	L2	L3	L4	T1
G ¹ / ₈	51	45	28.5	3	94	45	15	7.5	85	60.5	54.5	3	2 ... 4

1) Dimensions are in millimeters, unless otherwise noted.

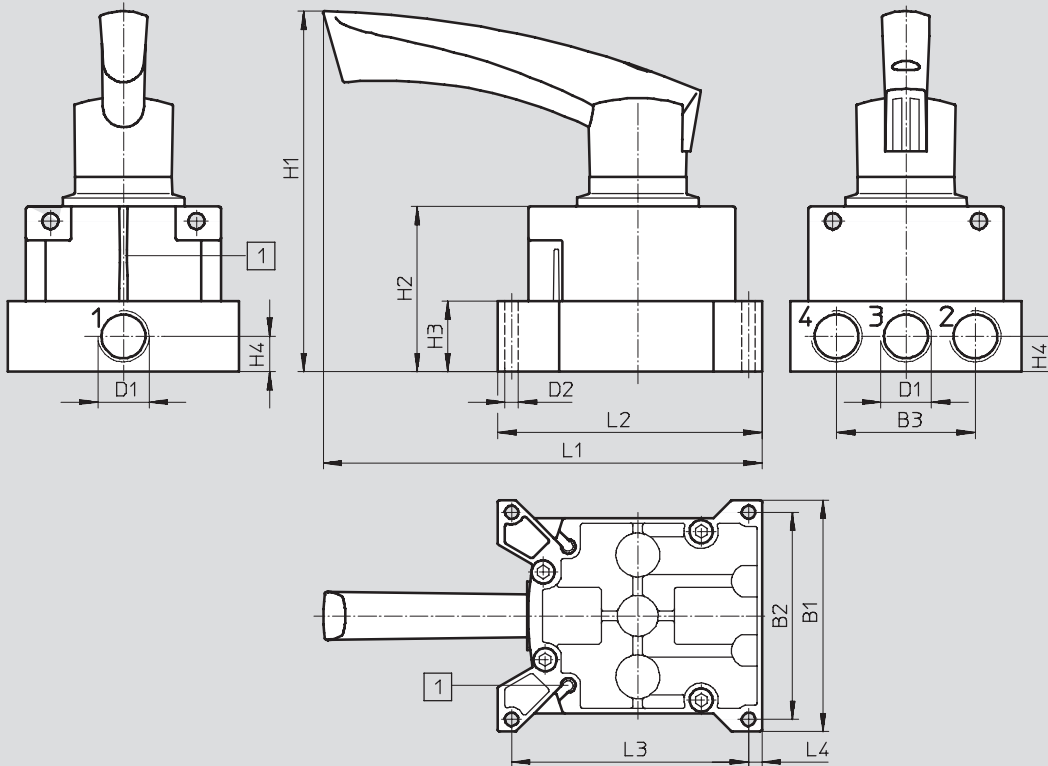
Dimensional Drawings, Metal Lever

Hand Lever Valves VHER – Metric Series

Dimensions – Ports at Side¹⁾

Download CAD data → www.festo.com/us/cad

G³/₄, G¹/₂



1) Sensor slot for SME-10-...

Pneumatic connection D1	B1	B2	B3	D2 Ø	H1	H2	H3	H4	L1	L2	L3	L4
G ³ / ₄	66	57.5	37.5	4.5	136	56	20.5	10.3	165	77	69.2	4
G ¹ / ₂	95	85	57	5.5	149	68	29	14.5	180	108.5	97.3	5.5

1) Dimensions are in millimeters, unless otherwise noted.

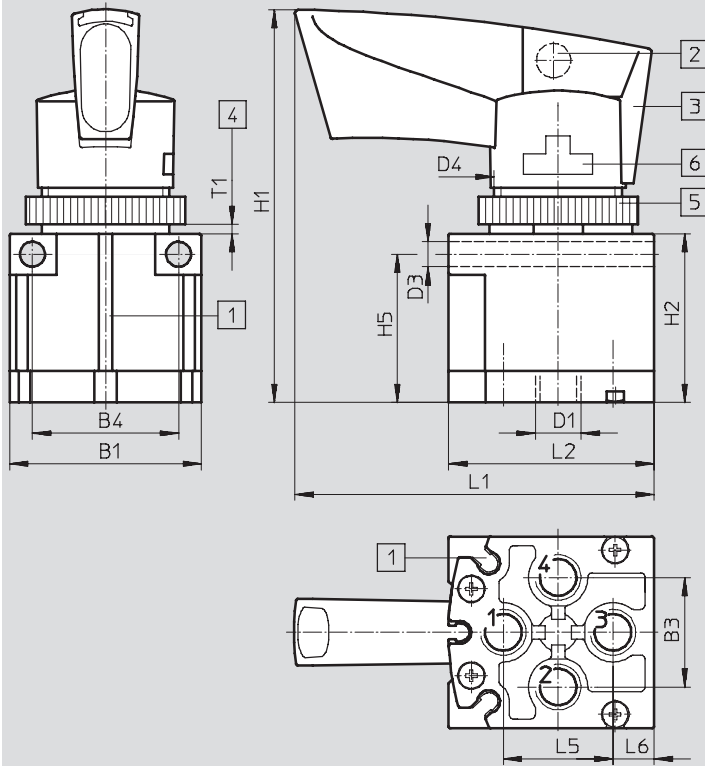
Dimensional Drawings, Polymer Lever

Hand Lever Valves VHER – Metric Series

Dimensions – Ports Underneath¹⁾

Download CAD data → www.festo.com/us/cad

M5, G¹/₈



- 1) Sensor slot for SME-10-...
- 2) Hole for padlock, dia. 7.2
- 3) Locking button, lockable
- 4) Material thickness for control panel installation
- 5) Knurled nut
- 6) Lever securing clip, detachable

Pneumatic connection D1	B1	B3	B4	D3 Ø	D4	H1	H2	H5	L1	L2	L5	L6	T1
M5	30	17	-	-	M22	79	28.6	-	73	33.8	17	6.5	2 ... 4
G ¹ / ₈	42	24	32	5.5	M30	86	37	32.5	79	45	24	9	1.5 ... 4.5

1) Dimensions are in millimeters, unless otherwise noted.

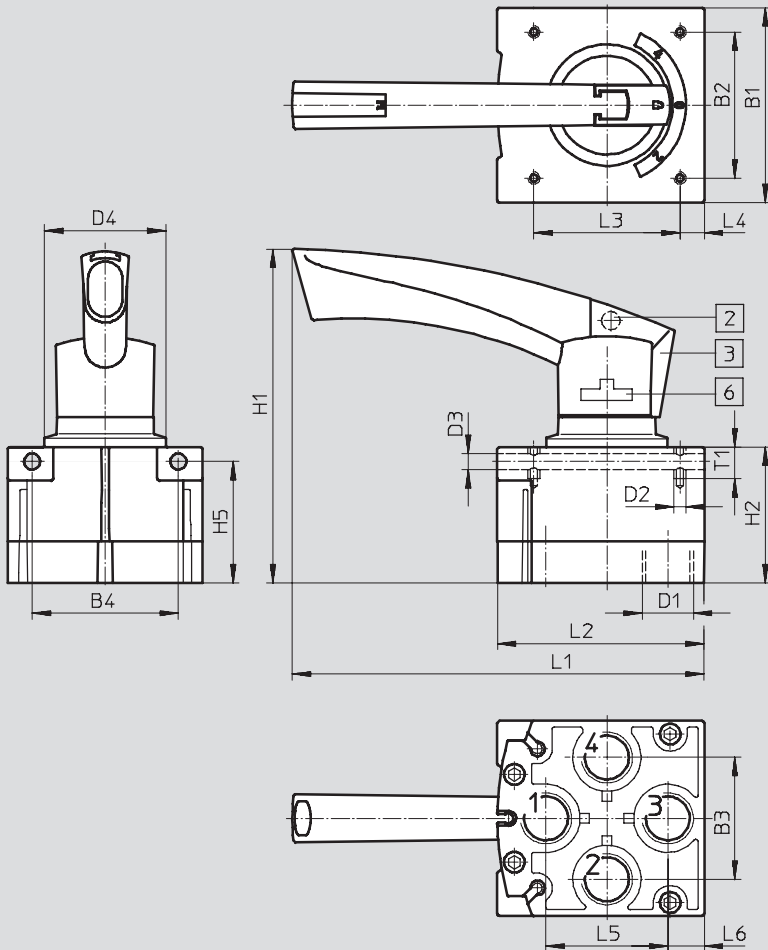
Dimensional Drawings, Polymer Lever

Hand Lever Valves VHER – Metric Series

Dimensions – Ports Underneath¹⁾

Download CAD data → www.festo.com/us/cad

G¹/₄, G¹/₂



2 Hole for padlock, dia. 7.2

3 Locking button, lockable

6 Lever securing clip, detachable

Pneumatic connection D1	B1	B2	B3	B4	D2	D3 Ø	D4	H1	H2	H5	L1	L2	L3	L4	L5	L6	T1
G ¹ / ₄	56.3	42	33	42	M5	5.4	40.5	129	49	43.5	157	60.2	42	7.2	33	11.7	13
G ¹ / ₂	80	60	50	60	M6	6.5	51	137	55.8	49.8	169	84.8	60	10	50	15	16

1) Dimensions are in millimeters, unless otherwise noted.

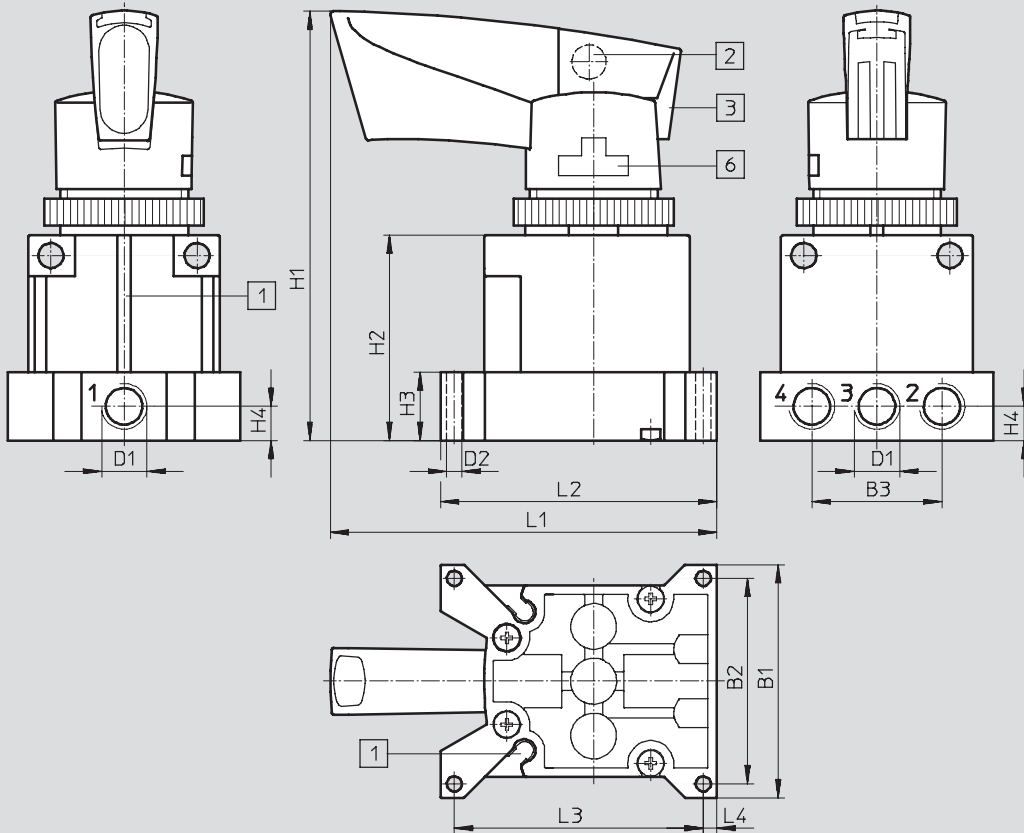
Dimensional Drawings, Polymer Lever

Hand Lever Valves VHER – Metric Series

Dimensions – Ports at Side¹⁾

Download CAD data → www.festo.com/us/cad

M5, G¹/₈



1 Sensor slot for SME-10...

2 Hole for padlock, dia. 7.2

3 Locking button, lockable

6 Lever securing clip, detachable

Pneumatic connection D1	B1	B2	B3	D2 Ø	H1	H2	H3	H4	L1	L2	L3	L4
M5	37	32	17.4	2.5	82	32	10	5	78	45	40	2.5
G ¹ / ₈	51	45	28.5	3	94	45	15	7.5	85	60.5	54.5	3

1) Dimensions are in millimeters, unless otherwise noted.

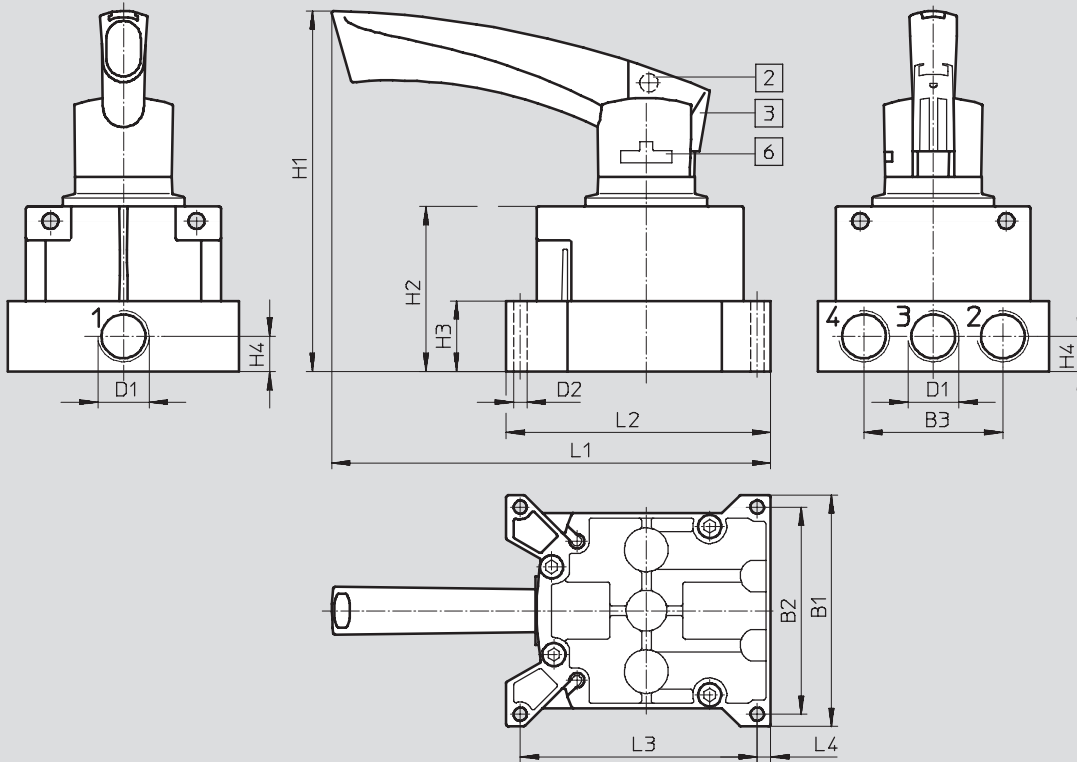
Dimensional Drawings, Polymer Lever

Hand Lever Valves VHER – Metric Series

Dimensions – Ports at Side¹⁾

Download CAD data → www.festo.com/us/cad

G¹/₄, G¹/₂



2 Hole for padlock, dia. 7.2

3 Locking button, lockable

6 Lever securing clip, detachable

Pneumatic connection D1	B1	B2	B3	D2 Ø	H1	H2	H3	H4	L1	L2	L3	L4
G ¹ / ₄	66	57.5	37.5	4.3	136	55.5	20.5	10.25	166	77	69.2	4
G ¹ / ₂	96	85	57	5.3	148	67.8	29	14.5	180	108.5	97.3	5.5

1) Dimensions are in millimeters, unless otherwise noted.

Ordering Data – Pre-configured Products

Hand Lever Valves VHER – Metric Series



Ordering Data						
Valve function	Pneumatic connection		Weight [g]	Part No.	Type	LT
	Position	Size				
Actuation with metal lever						
Mid-position closed	Underneath	G1/8	220	538179	VHER-AH-M04C-G18-UD	1W
		G1/4	510	538181	VHER-AH-M04C-G14-UD	1W
		G1/2	860	538183	VHER-AH-M04C-G12-UD	1W
Mid-position exhausted	Underneath	G1/8	220	538185	VHER-AH-M04E-G18-UD	1W
		G1/4	510	538187	VHER-AH-M04E-G14-UD	1W
		G1/2	860	538189	VHER-AH-M04E-G12-UD	1W
Mid-position closed	Side	G1/8	260	538178	VHER-AH-M04C-G18-LD	1W
		G1/4	560	538180	VHER-AH-M04C-G14-LD	1W
		G1/2	1,010	538182	VHER-AH-M04C-G12-LD	1W
Mid-position exhausted	Side	G1/8	260	538184	VHER-AH-M04E-G18-LD	1W
		G1/4	560	538186	VHER-AH-M04E-G14-LD	1W
		G1/2	1,010	538188	VHER-AH-M04E-G12-LD	1W
Actuation with polymer lever						
Mid-position closed	Underneath	M5	80	538191	VHER-BH-M04C-M05-UD	1W
		G1/8	125	538193	VHER-BH-M04C-G18-UD	1W
		G1/4	375	538195	VHER-BH-M04C-G14-UD	1W
		G1/2	740	538197	VHER-BH-M04C-G12-UD	1W
Mid-position exhausted	Underneath	M5	80	538199	VHER-BH-M04E-M05-UD	1W
		G1/8	125	538201	VHER-BH-M04E-G18-UD	1W
		G1/4	375	538203	VHER-BH-M04E-G14-UD	1W
		G1/2	740	538205	VHER-BH-M04E-G12-UD	1W
Mid-position closed	Side	M5	95	538190	VHER-BH-M04C-M05-LD	1W
		G1/8	165	538192	VHER-BH-M04C-G18-LD	1W
		G1/4	435	538194	VHER-BH-M04C-G14-LD	1W
		G1/2	900	538196	VHER-BH-M04C-G12-LD	1W
Mid-position exhausted	Side	M5	95	538198	VHER-BH-M04E-M05-LD	1W
		G1/8	165	538200	VHER-BH-M04E-G18-LD	1W
		G1/4	435	538202	VHER-BH-M04E-G14-LD	1W
		G1/2	900	538204	VHER-BH-M04E-G12-LD	1W

LT = Lead time

1D typically ships same day/next day

1W typically ships within 1 week

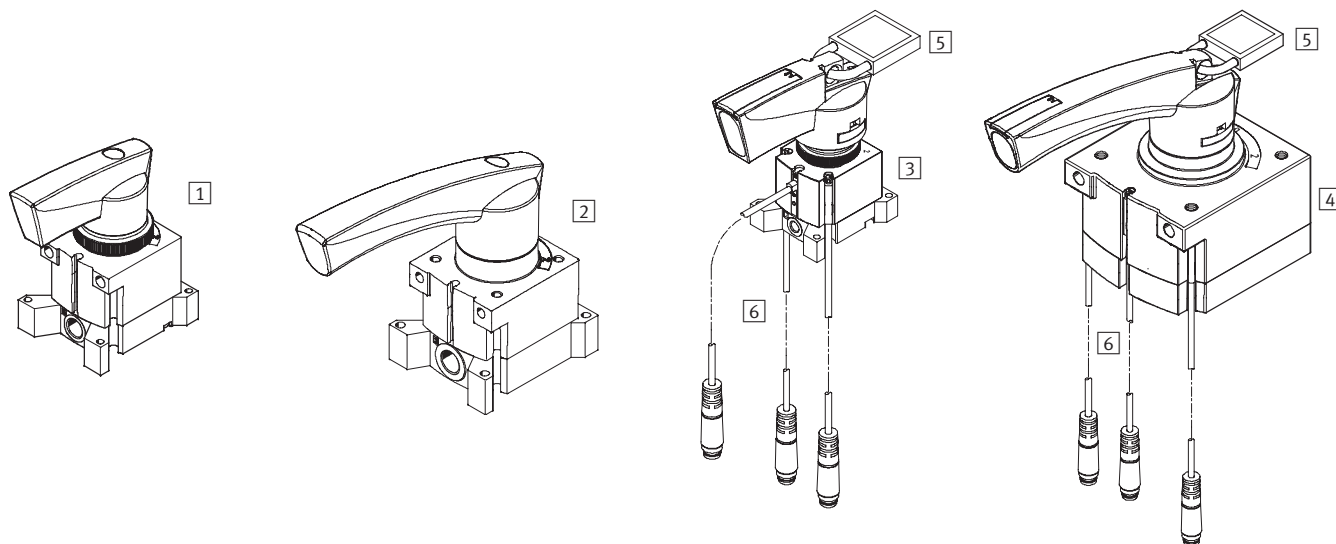
Q request a quote for lead time

Accessories

Hand Lever Valves VHER – Metric Series



Assembled Valves with Accessories



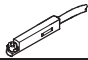
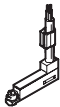

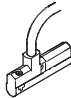
Component parts and accessories	Brief description	→ Page
1 Hand lever valves VHER	Connection size G $\frac{1}{8}$ with metal lever	3
2 Hand lever valves VHER	Connection size G $\frac{1}{4}$ and G $\frac{1}{2}$ with metal lever	3
3 Hand lever valves VHER	Connection size M5 and G $\frac{1}{8}$ with polymer lever	3
4 Hand lever valves VHER	Connection size G $\frac{1}{4}$ and G $\frac{1}{2}$ with polymer lever	3
5 Padlock	Not included in scope of delivery	–
6 Proximity sensors SME-10... ¹⁾	Not included in scope of delivery	15
– Connecting cables	Not included in scope of delivery	15
– Blanking plugs	For use of hand lever valves VHER as 3/3-way valves; plugs not included in scope of delivery	16
– Push-in fittings QS	Not included in scope of delivery	16
– Silencers	Not included in scope of delivery	16

1) For valves with pneumatic connection at side, only proximity sensors SME-10... with lateral connection direction are permissible.



Accessories

Hand Lever Valves VHER – Metric

FESTO

Ordering Data – Proximity Switches for C-slot, Magnetic Reed					Technical data → www.festo.com/catalog/sm	
	Type of mounting	Switch output	Electrical connection, connection direction ¹⁾	Cable length [m]	Part No.	Type
N/O contact						
	Insertable in the slot from above	Contacting	Plug M8x1, 3-pin, in-line	0,3	525914	SME-10F-DS-24V-K0,3L-M8D
			Cable, 3-wire, in-line	2,5	525913	SME-10F-DS-24V-K2,5L-OE
	Insertable in the slot from above	Contacting	Plug M8x1, 3-pin, lateral	0,3	526671	SME-10F-DS-24V-K0,3Q-M8D
			Cable, 3-wire, lateral	2,5	526670	SME-10F-DS-24V-K2,5Q-OE
	Insertable in the slot lengthwise	Contacting	Plug M8x1, 3-pin, in-line	0,3	173212	SME-10-SL-LED-24
			Cable, 3-wire, in-line	2,5	173210	SME-10-KL-LED-24
	Insertable in the slot lengthwise	Contacting	Plug M8x1, 3-pin, lateral	0,3	173213	SME-10-SQ-LED-24
			Cable, 3-wire, lateral	2,5	173211	SME-10-KQ-LED-24


1) For valves with pneumatic connection at side, only proximity sensors SME-10... with lateral connection direction are permissible.

Ordering Data – Connecting Cables				Technical data → www.festo.com/catalog/nebu	
	Electrical connection, left	Electrical connection, right	Cable length [m]	Part No.	Type
	Straight socket, M8x1, 3-pin	Cable, open end, 3-wire	2.5	541333	NEBU-M8G3-K-2.5-LE3
			5.0	541334	NEBU-M8G3-K-5-LE3
	Angled socket, M8x1, 3-pin	Cable, open end, 3-wire	2.5	541338	NEBU-M8W3-K-2.5-LE3
			5.0	541341	NEBU-M8W3-K-5-LE3

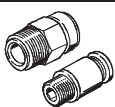

Accessories

Hand Lever Valves VHER – Metric Series





Ordering Data – Blanking Plugs ¹⁾								
	M5		G1/8		G1/4		G1/2	
	Part No.	Type	Part No.	Type	Part No.	Type	Part No.	Type
	3843	B-M5	3568	B-1/8	3569	B-1/4	3571	B-1/2

1) Scope of delivery 10 pieces

Ordering Data – Permissible Push-in Fittings QS ¹⁾								
	M5		G1/8		G1/4		G1/2	
	Part No.	Type	Part No.	Type	Part No.	Type	Part No.	Type
Pneumatic connection underneath								
	153302	QSM-M5-3	186264	QSM-G1/8-4	186097	QS-G1/4-6	186104	QS-G1/2-12
	153304	QSM-M5-4	186265	QSM-G1/8-6	186099	QS-G1/4-8	186105	QS-G1/2-16
	153306	QSM-M5-6	186266	QSM-G1/8-4-l	186101	QS-G1/4-10	186115	QS-G1/2-12-l
	153313	QSM-M5-3-l	186267	QSM-G1/8-6-l	186108	QS-G1/4-6-l		
	153315	QSM-M5-4-l	186095	QS-G1/8-4	186110	QS-G1/4-8-l		
	153317	QSM-M5-6-l	186096	QS-G1/8-6	186112	QS-G1/4-10-l		
			186098	QS-G1/8-8				
			186106	QS-G1/8-4-l				
			186107	QS-G1/8-6-l				
			186109	QS-G1/8-8-l				
Pneumatic connection at side								
	153313	QSM-M5-3-l	186266	QSM-G1/8-4-l	186108	QS-G1/4-6-l	186115	QS-G1/2-12-l
	153315	QSM-M5-4-l	186267	QSM-G1/8-6-l	186110	QS-G1/4-8-l		
			186106	QS-G1/8-4-l	186112	QS-G1/4-10-l		
			186107	QS-G1/8-6-l				
			186109	QS-G1/8-8-l				

1) Scope of delivery 10 pieces

Ordering Data – Permissible Silencers								
	M5		G1/8		G1/4		G1/2	
	Part No.	Type	Part No.	Type	Part No.	Type	Part No.	Type
Pneumatic connection underneath								
	4645	U-M5	6841	U-1/8-B	6842	U-1/4-B	6844	U-1/2-B
	165003	UC-M5	161419	UC-1/8	165004	UC-1/4		
			2307	U-1/8	2316	U-1/4		
Pneumatic connection at side								
	4645	U-M5	161419	UC-1/8	165004	UC-1/4	6844	U-1/2-B
	165003	UC-M5						

Hand Lever Valves VHER – Inch Series



Hand lever valves VHER are used to manually control the motion of cylinders within the stroke range.

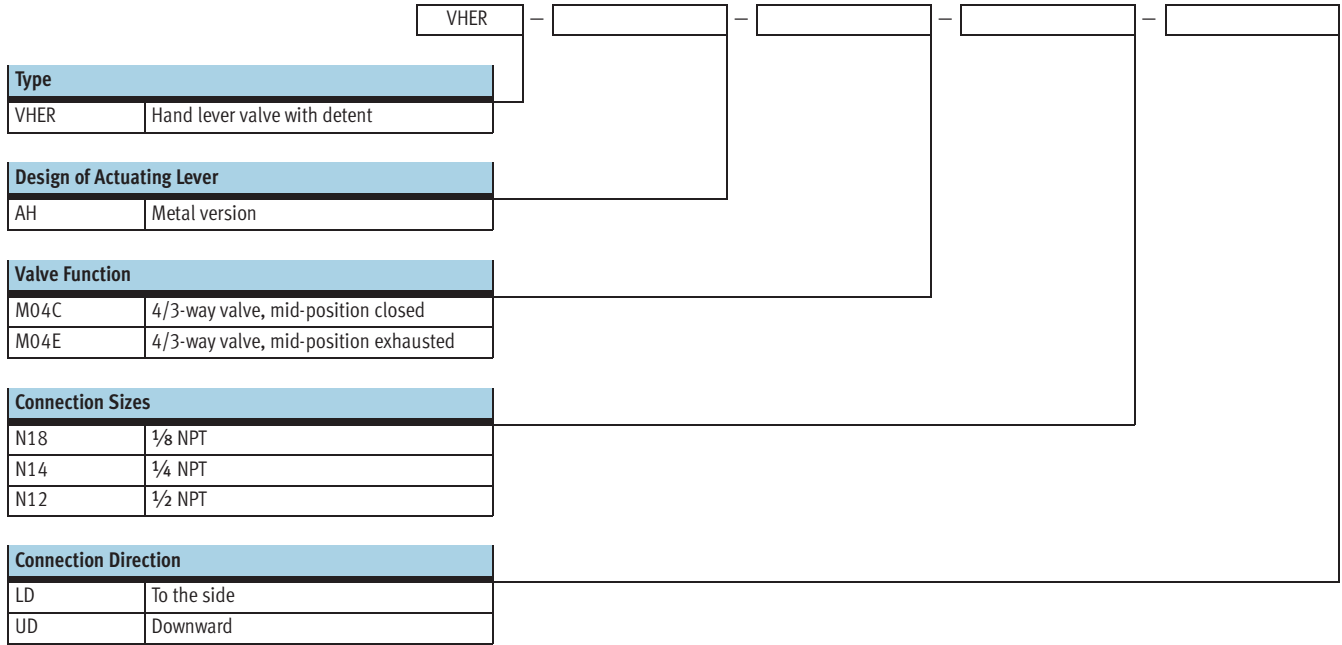
- 4/3-way valve
 - mid-position closed
 - mid-position exhausted
- Flow rate: 21.2 ... 151.8 scfm
- Operating pressure: –14.0 ... +150 psi
- Pneumatic connection: 1/8 NPT, 1/4 NPT, 1/2 NPT

Product Range Overview				
Valve function	Pneumatic connection		Nominal diameter [in]	Flow rate [scfm]
	Position	Size		
Actuation with metal lever				
4/3-way valve, mid-position closed or exhausted	underneath	1/8 NPT	0.24	28.2
		1/4 NPT	0.31	53.0
		1/2 NPT	0.47	151.8
	at side	1/8 NPT	0.24	21.2
		1/4 NPT	0.31	40.6
		1/2 NPT	0.47	123.6

Features		Contents
<p>Versatile</p> <ul style="list-style-type: none"> • 4/3-way valve: <ul style="list-style-type: none"> mid-position closed mid-position exhausted • Pneumatic connection 1/8 NPT, 1/4 NPT, 1/2 NPT • 3/3-way valve: The hand lever valves VHER can be used as 3/3-way valves by sealing port 2 	<p>Practical</p> <ul style="list-style-type: none"> • With these valves it is possible to stop single-acting cylinders (3/3-way valve) or double-acting cylinders (4/3-way valve) within the stroke range. • In mid-position closed, the drive piston moves until the forces are balanced. • In mid-position exhausted the piston can be moved manually; only the frictional forces have to be overcome. 	<ul style="list-style-type: none"> Technical Data → 19 Dimensional Drawings → 21 Ordering Data → 25 Accessories → 26 → www.festo.com/catalog/vher

Order Code

Hand Lever Valves VHER – Inch Series



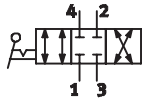
Order example:

VHER-AH-M04C-N18-LD

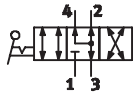
Technical Data

Hand Lever Valves VHER – Inch Series

ISO Symbol



Mid-position closed



Mid-position exhausted



General Technical Data				1/8 NPT	1/4 NPT	1/2 NPT
Pneumatic connection 1,2,3,4				1/8 NPT	1/4 NPT	1/2 NPT
Valve function				4/3-way, closed or exhausted		
Design				Rotary slide valve		
Sealing principle				Sliding disk		
Type of mounting				Option of front panel mounting or through-holes		
Pilot control mode				Direct		
Actuation type				Manual		
Actuating lever				Metal		
Switching position display				Via accessories		
Assembly position				Any		
Direction of flow				Reversible		
Overlapping				No		
Standard nominal flow rate	Ports underneath	[scfm]	28.2	53.0	151.8	
	Ports at side	[scfm]	21.2	40.6	123.6	
Nominal diameter		[in]	0.24	0.31	0.47	
Actuating torque at 10 bar		[lbf-in]	9.74	24.78	44.25	

Operating and Environmental Conditions	
Operating medium	Filtered compressed air and inert gases, lubricated or unlubricated
Filtration grade	[µm] 40
Operating pressure	[psi] -14 ... +150
Ambient temperature	[°F] -4 ... +176
Corrosion resistance class CRC ¹⁾	2

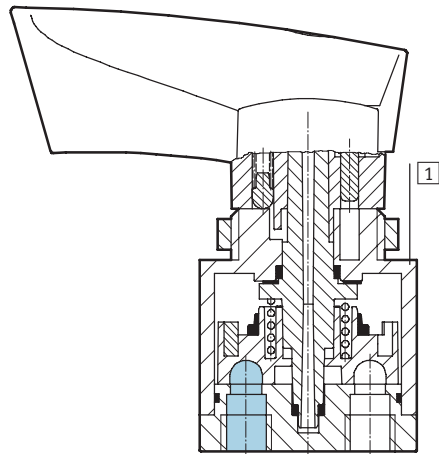
1) Corrosion resistance class 2 according to Festo standard 940 070
 Components requiring moderate corrosion resistance. Externally visible parts with primarily decorative surface requirements which are in direct contact with a normal industrial environment or media such as coolants or lubricating agents.

Technical Data

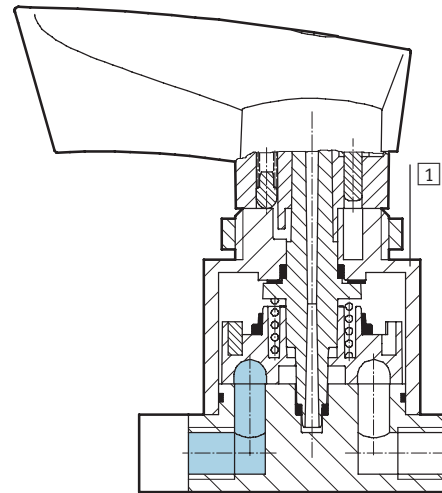
Hand Lever Valves VHER – Inch Series

Sectional View

Ports underneath



Ports at side



Materials

1	Housing	Die-cast aluminum
-	Seals	Nitrile rubber
-		Contains PWIS (paint wetting impairment substances)
-		Free of copper and PTFE

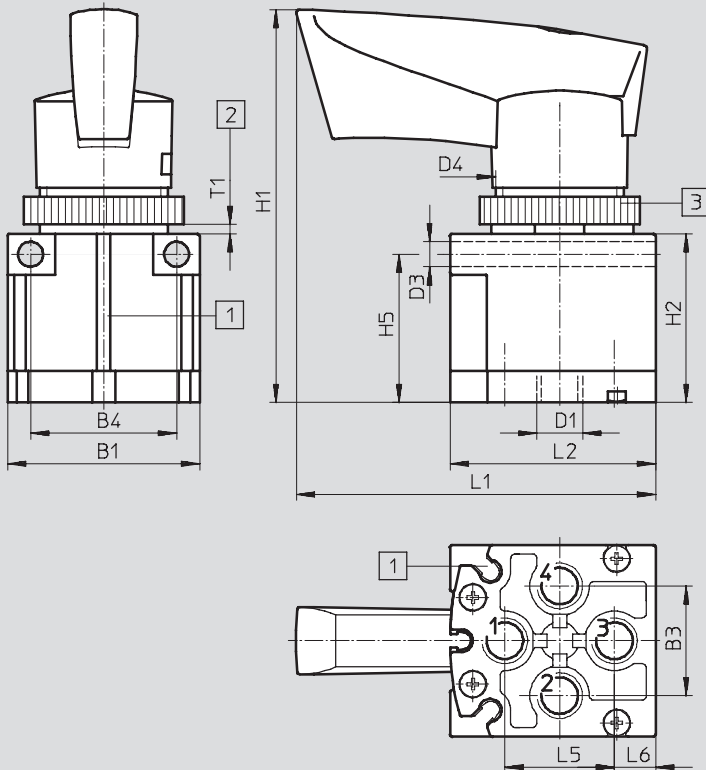
Dimensional Drawings

Hand Lever Valves VHER – Inch Series

Dimensions – Ports Underneath¹⁾

Download CAD data → www.festo.com/us/cad

1/8 NPT



- 1) Sensor slot for SME-10-...
- 2) Material thickness for control panel installation
- 3) Knurled nut

Pneumatic connection D1	B1	B3	B4	D3 Ø	D4	H1	H2	H5	L1	L2	L5	L6	T1
1/8 NPT	1.65	0.94	1.26	0.22	M30	3.43	1.46	1.28	3.11	1.77	0.94	0.35	0.08 ... 0.16

1) Dimensions are in inches, unless otherwise noted.

Dimensional Drawings

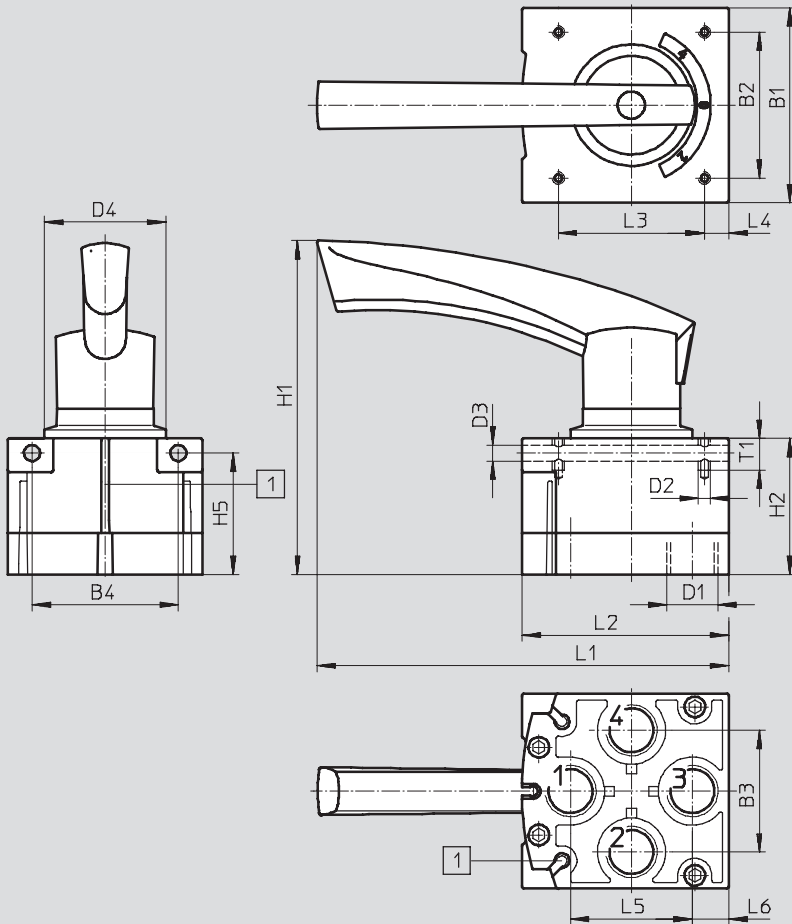
Hand Lever Valves VHER – Inch Series



Dimensions – Ports Underneath¹⁾

Download CAD data → www.festo.com/us/cad

¼ NPT, ½ NPT



1) Sensor slot for SME-10-...

Pneumatic connection D1	B1	B2	B3	B4	D2	D3 ∅	D4 ∅	H1	H2	H5	L1	L2	L3	L4	L5	L6	T1
¼ NPT	2.20	1.65	1.30	1.65	M5	0.22	1.57	5.12	1.93	1.71	6.18	2.36	1.65	0.28	1.30	0.45	0.47
½ NPT	3.15	2.36	1.97	2.36	M6	0.25	1.97	5.39	2.20	1.96	6.65	3.35	2.36	0.39	1.97	0.59	0.51

1) Dimensions are in inches, unless otherwise noted.

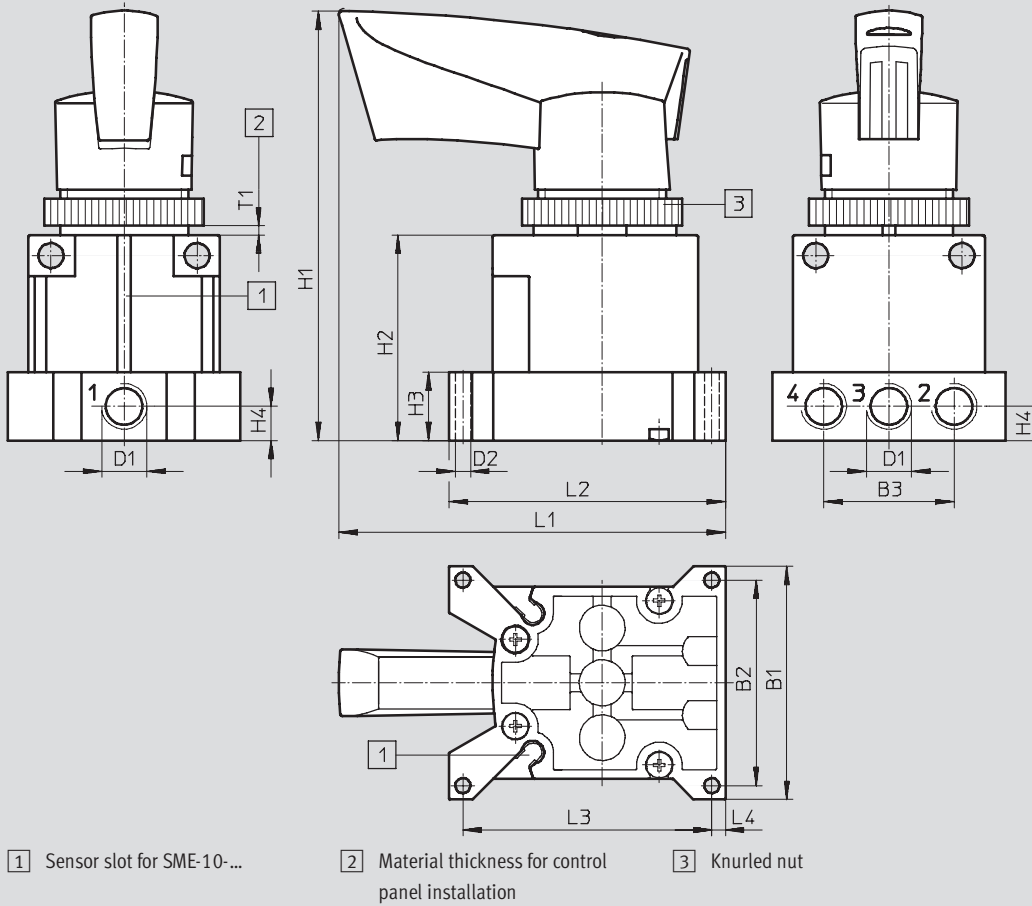
Dimensional Drawings

Hand Lever Valves VHER – Inch Series

Dimensions – Ports at Side¹⁾

Download CAD data → www.festo.com/us/cad

1/8 NPT



Pneumatic connection D1	B1	B2	B3	D2	H1	H2	H3	H4	L1	L2	L3	L4	T1
1/8 NPT	2.01	1.77	1.12	0.12	3.70	1.77	0.59	0.30	3.35	2.38	2.15	0.12	0.08 ... 0.16

1) Dimensions are in inches, unless otherwise noted.

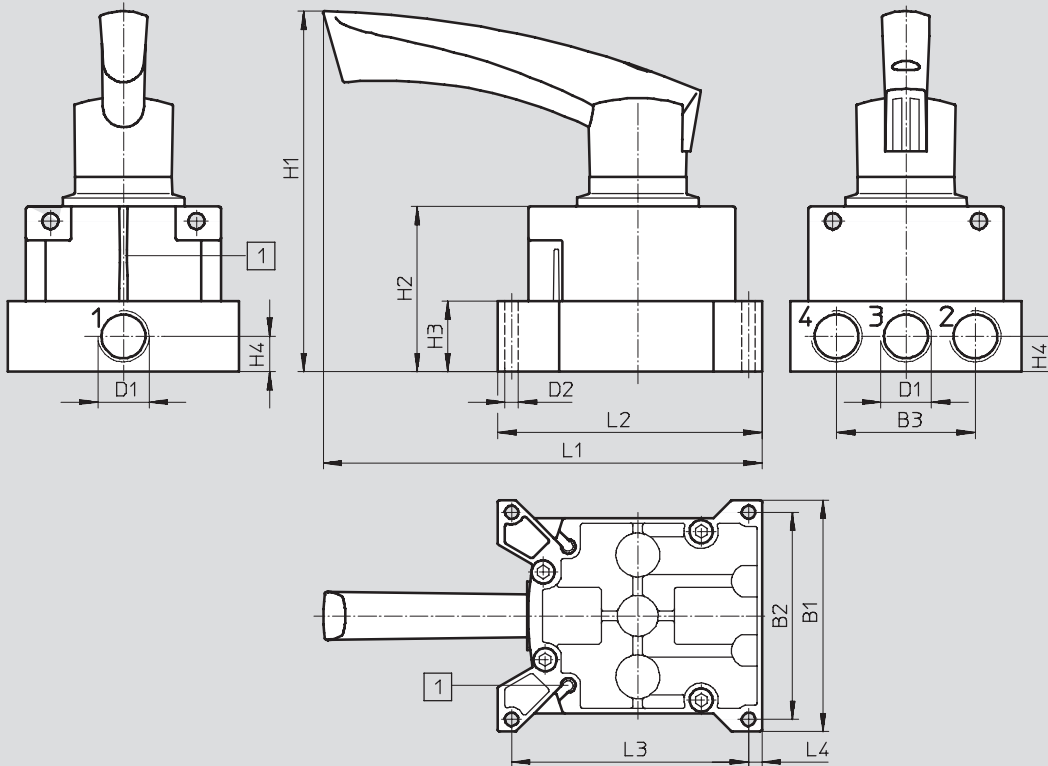
Dimensional Drawings

Hand Lever Valves VHER – Inch Series

Dimensions – Ports at Side¹⁾

Download CAD data → www.festo.com/us/cad

¼ NPT, ½ NPT



1) Sensor slot for SME-10-...

Pneumatic connection D1	B1	B2	B3	D2 Ø	H1	H2	H3	H4	L1	L2	L3	L4
¼ NPT	2.60	2.26	1.48	0.18	5.35	2.20	0.81	0.41	6.50	3.03	2.72	0.16
½ NPT	3.74	3.35	2.24	0.22	5.87	2.68	1.14	0.57	7.09	4.27	3.83	0.22

1) Dimensions are in inches, unless otherwise noted.

Ordering Data – Pre-configured Products

Hand Lever Valves VHER – Inch Series



Ordering Data						
Valve function	Pneumatic connection		Weight [lb]	Part No.	Type	LT
	Position	Size				
Actuation with metal lever						
Mid-position closed	Underneath	1/8 NPT	0.44	545261	VHER-AH-M04C-N18-UD	1W
		1/4 NPT	1.02	545265	VHER-AH-M04C-N14-UD	1W
		1/2 NPT	1.72	545269	VHER-AH-M04C-N12-UD	1W
Mid-position exhausted	Underneath	1/8 NPT	0.44	545263	VHER-AH-M04E-N18-UD	1W
		1/4 NPT	1.02	545267	VHER-AH-M04E-N14-UD	1W
		1/2 NPT	1.72	545271	VHER-AH-M04E-N12-UD	1W
Mid-position closed	Side	1/8 NPT	0.52	545260	VHER-AH-M04C-N18-LD	1W
		1/4 NPT	1.12	545264	VHER-AH-M04C-N14-LD	1W
		1/2 NPT	2.02	545268	VHER-AH-M04C-N12-LD	1W
Mid-position exhausted	Side	1/8 NPT	0.52	545262	VHER-AH-M04E-N18-LD	1W
		1/4 NPT	1.12	545266	VHER-AH-M04E-N14-LD	1W
		1/2 NPT	2.02	545270	VHER-AH-M04E-N12-LD	1W

LT = Lead time

1D typically ships same day/next day

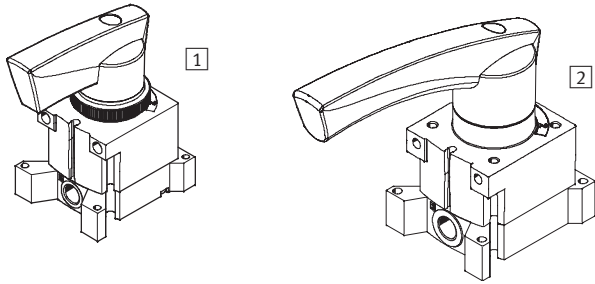
1W typically ships within 1 week

Q request a quote for lead time

Accessories

Hand Lever Valves VHER with Metal Lever – Inch Series

Assembled Valves with Accessories



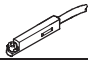
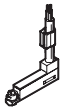
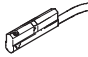
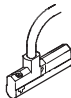
Component parts and accessories	Brief description	→ Page
1 Hand lever valves VHER	Connection size 1/8 NPT with metal lever	19
2 Hand lever valves VHER	Connection size 1/4 NPT and 1/2 NPT with metal lever	19
- Proximity sensors SME-10... ¹⁾	Not included in scope of delivery	27
Connecting cables	Not included in scope of delivery	27
Blanking plugs	For use of hand lever valves VHER as 3/3-way valves; plugs not included in scope of delivery	28
Push-in fittings QS	Not included in scope of delivery	28
Silencers	Not included in scope of delivery	28

1) For valves with pneumatic connection at side, only proximity sensors SME-10... with lateral connection direction are permissible.



Accessories

Hand Lever Valves VHER with Metal Lever – Inch Series



Ordering Data – Proximity Switches for C-slot, Magnetic Reed					Technical data → www.festo.com/catalog/sm	
	Type of mounting	Switch output	Electrical connection, connection direction ¹⁾	Cable length [ft]	Part No.	Type
N/O contact						
	Insertable in the slot from above	Contacting	Plug M8x1, 3-pin, in-line	1.0	525914	SME-10F-DS-24V-K0,3L-M8D
			Cable, 3-wire, in-line	8.2	525913	SME-10F-DS-24V-K2,5L-OE
	Insertable in the slot from above	Contacting	Plug M8x1, 3-pin, lateral	1.0	526671	SME-10F-DS-24V-K0,3Q-M8D
			Cable, 3-wire, lateral	8.2	526670	SME-10F-DS-24V-K2,5Q-OE
	Insertable in the slot lengthwise	Contacting	Plug M8x1, 3-pin, in-line	1.0	173212	SME-10-SL-LED-24
			Cable, 3-wire, in-line	8.2	173210	SME-10-KL-LED-24
	Insertable in the slot lengthwise	Contacting	Plug M8x1, 3-pin, lateral	1.0	173213	SME-10-SQ-LED-24
			Cable, 3-wire, lateral	8.2	173211	SME-10-KQ-LED-24

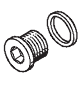
1) For valves with pneumatic connection at side, only proximity sensors SME-10... with lateral connection direction are permissible.

Ordering Data – Connecting Cables				Technical data → www.festo.com/catalog/nebu	
	Electrical connection, left	Electrical connection, right	Cable length [ft]	Part No.	Type
	Straight socket, M8x1, 3-pin	Cable, open end, 3-wire	8.2	541333	NEBU-M8G3-K-2.5-LE3
			16.4	541334	NEBU-M8G3-K-5-LE3
	Angled socket, M8x1, 3-pin	Cable, open end, 3-wire	8.2	541338	NEBU-M8W3-K-2.5-LE3
			16.4	541341	NEBU-M8W3-K-5-LE3

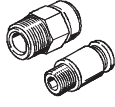

Accessories

Hand Lever Valves VHER with Metal Lever – Inch Series





Ordering Data – Blanking Plugs ¹⁾						
	1/8 NPT		1/4 NPT		1/2 NPT	
	Part No.	Type	Part No.	Type	Part No.	Type
	173985	B-1/8-NPT	174165	B-1/4-NPT	31785	B-1/2-NPT

1) Scope of delivery 10 pieces

Ordering Data – Permissible Push-in Fittings QS ¹⁾						
	1/8 NPT		1/4 NPT		1/2 NPT	
	Part No.	Type	Part No.	Type	Part No.	Type
Pneumatic connection underneath						
	153601	QS-1/8-5/32-U	153606	QS-1/4-1/4-U	153613	QS-1/2-3/8-U
	153608	QS-1/8-5/16-U	153611	QS-1/4-3/8-U	153615	QS-1/2-1/2-U
	190688	QS-1/8-5/32-I-U	190692	QS-1/4-1/4-I-U	183747	QS-1/2-3/8-I-U-M
	190691	QS-1/8-5/16-I-U	190694	QS-1/4-3/8-I-U	190698	QS-1/2-1/2-I-U
Pneumatic connection at side						
	190688	QS-1/8-5/32-I-U	190692	QS-1/4-1/4-I-U	183747	QS-1/2-3/8-I-U-M
	190691	QS-1/8-5/16-I-U	190694	QS-1/4-3/8-I-U	190698	QS-1/2-1/2-I-U

1) Scope of delivery 10 pieces

Ordering Data – Permissible Silencers						
	1/8 NPT		1/4 NPT		1/2 NPT	
	Part No.	Type	Part No.	Type	Part No.	Type
Pneumatic connection underneath						
	12638	U-1/8-B-NPT	12639	U-1/4-B-NPT	12741	U-1/2-B-NPT
Pneumatic connection at side						
	12638	U-1/8-B-NPT	12639	U-1/4-B-NPT	12741	U-1/2-B-NPT

Product Range and Company Overview

A Complete Suite of Automation Services

Our experienced engineers provide complete support at every stage of your development process, including: conceptualization, analysis, engineering, design, assembly, documentation, validation, and production.



Custom Automation Components
Complete custom engineered solutions



Custom Control Cabinets
Comprehensive engineering support and on-site services



Complete Systems
Shipment, stocking and storage services

The Broadest Range of Automation Components

With a comprehensive line of more than 30,000 automation components, Festo is capable of solving the most complex automation requirements.



Electromechanical
Electromechanical actuators, motors, controllers & drives



Pneumatics
Pneumatic linear and rotary actuators, valves, and air supply



PLCs and I/O Devices
PLC's, operator interfaces, sensors and I/O devices

Supporting Advanced Automation... As No One Else Can!

Festo is a leading global manufacturer of pneumatic and electromechanical systems, components and controls for industrial automation, with more than 12,000 employees in 56 national headquarters serving more than 180 countries. For more than 80 years, Festo has continuously elevated the state of manufacturing with innovations and optimized motion control solutions that deliver higher performing, more profitable automated manufacturing and processing equipment. Our dedication to the advancement of automation extends beyond technology to the education and development of current and future automation and robotics designers with simulation tools, teaching programs, and on-site services.

Quality Assurance, ISO 9001 and ISO 14001 Certifications

Festo Corporation is committed to supply all Festo products and services that will meet or exceed our customers' requirements in product quality, delivery, customer service and satisfaction.

To meet this commitment, we strive to ensure a consistent, integrated, and systematic approach to management that will meet or exceed the requirements of the ISO 9001 standard for Quality Management and the ISO 14001 standard for Environmental Management.



© Copyright 2008, Festo Corporation. While every effort is made to ensure that all dimensions and specifications are correct, Festo cannot guarantee that publications are completely free of any error, in particular typing or printing errors. Accordingly, Festo cannot be held responsible for the same. For Liability and Warranty conditions, refer to our "Terms and Conditions of Sale", available from your local Festo office. All rights reserved. No part of this publication may be reproduced, distributed, or transmitted in any form or by any means, electronic, mechanical, photocopying or otherwise, without the prior written permission of Festo. All technical data subject to change according to technical update.



Printed on recycled paper at New Horizon Graphic, Inc., FSC certified as an environmentally friendly printing plant.

Festo North America

United States

Customer Resource Center
502 Earth City Expy., Suite 125
Earth City, MO 63045

For ordering assistance, or to find
your nearest Festo Distributor,

Call: 1.800.99.FESTO

Fax: 1.800.96.FESTO

Email: customer.service@us.festo.com

For technical support,

Call: 1.866.GO.FESTO

Fax: 1.800.96.FESTO

Email: product.support@us.festo.com

Headquarters

Festo Corporation
395 Moreland Road
P.O. Box 18023
Hauppauge, NY 11788
www.festo.com/us

Sales Offices

Appleton

N. 922 Tower View Drive, Suite N
Greenville, WI 54942

Boston

120 Presidential Way, Suite 330
Woburn, MA 01801

Chicago

1441 East Business Center Drive
Mt. Prospect, IL 60056

Dallas

1825 Lakeway Drive, Suite 600
Lewisville, TX 75057

Detroit - Automotive Engineering Center

2601 Cambridge Court, Suite 320
Auburn Hills, MI 48326

New York

395 Moreland Road
Hauppauge, NY 11788

Silicon Valley

4935 Southfront Road, Suite F
Livermore, CA 94550

Design and Manufacturing Operations



East: 395 Moreland Road, Hauppauge, NY 11788



Central: 1441 East Business Center Drive, Mt. Prospect, IL 60056



West: 4935 Southfront Road, Suite F, Livermore, CA 94550

Mexico

Headquarters

Festo Pneumatic, S.A.
Av. Ceylán 3, Col. Tequesquahuac
54020 Tlalnepantla, Edo. de México
Call: 011 52 [55] 53 21 66 00
Fax: 011 52 [55] 53 21 66 65
Email: festo.mexico@mx.festo.com
www.festo.com/mx



Canada

Headquarters

Festo Inc.
5300 Explorer Drive
Mississauga, Ontario L4W 5G4
Call: 1.905.624.9000
Fax: 1.905.624.9001
Email: info.ca@ca.festo.com
www.festo.com/ca



Festo Worldwide

Argentina Australia Austria Belarus Belgium Brazil Bulgaria Canada Chile China Colombia Croatia Czech Republic Denmark
Estonia Finland France Germany Great Britain Greece Hong Kong Hungary India Indonesia Iran Ireland Israel Italy Japan
Latvia Lithuania Malaysia Mexico Netherlands New Zealand Norway Peru Philippines Poland Romania Russia Serbia Singapore
Slovakia Slovenia South Africa South Korea Spain Sweden Switzerland Taiwan Thailand Turkey Ukraine United States Venezuela

www.festo.com